

**LAVATAZZINE
GLASSWASHERS****LB1 / LB2 / GW1 / GW2 / WT1 / WT2 / NGW**

Code	Type	Ref.	Code	Type	Ref.
402000	LB1	o	402061	WT2	d
402001	LB1WS	p	402062	LB2DPDI	v
402002	LB1WSDP	q	402063	LB2WSDPDI	z
402010	WT1WSDP	a	402064	LB2WSDPD	x
402015	WT2TOP60	n	402065	LB2TOP	y
402016	WT2DPDI	b1	402066	LB2/3DP	j
402017	WT2WSDPDI	b2	402067	WT2/3DPD	k
402018	LB1TOP	r	402068	NGWGMS	b7
402019	WT2TOPDI	b3	402069	NGWDPDDG	b6
402020	LB2WS	s	402070	NGW	a7
402021	LB2	t	402071	NGWDPDD	a8
402022	LB2WSDP	u	402072	NGWDPRBP60	b8
402030	WT2WSDP	b	402073	NGWDD	b9
402032	WT2WSDPD	m	402074	NGWDPDDTF	c3
402035	WT2WS	c	698200	GW1	a1
402041	WT1	e	698201	GW1WS	a2
402042	WT1WS	g	698206	GW2DPG	b4
402043	WT1TOP	h	698207	GW2WSDPG	b5
402044	WT2TOP	f	698208	GW2G	a3
402046	WT1/3DP	i	698209	GW2WSG	a4
402047	WT2/3DP	l	698210	GW2WS	a5
402048	NWG2DPG	c1	698211	GW2	a6
402049	NWG2WSDPG	c2			
402059	NGWP	a9			
402060	NGWDPDDP	a10			

Pagina/ Page

Indice/ index

2	Vista generale / Main view
3	Componenti idraulici / Hydraulic components
4	Componenti idraulici / Hydraulic components
5	Componenti elettrici / Electrical components
6 - 11	Lista ricambi / Spare parts list

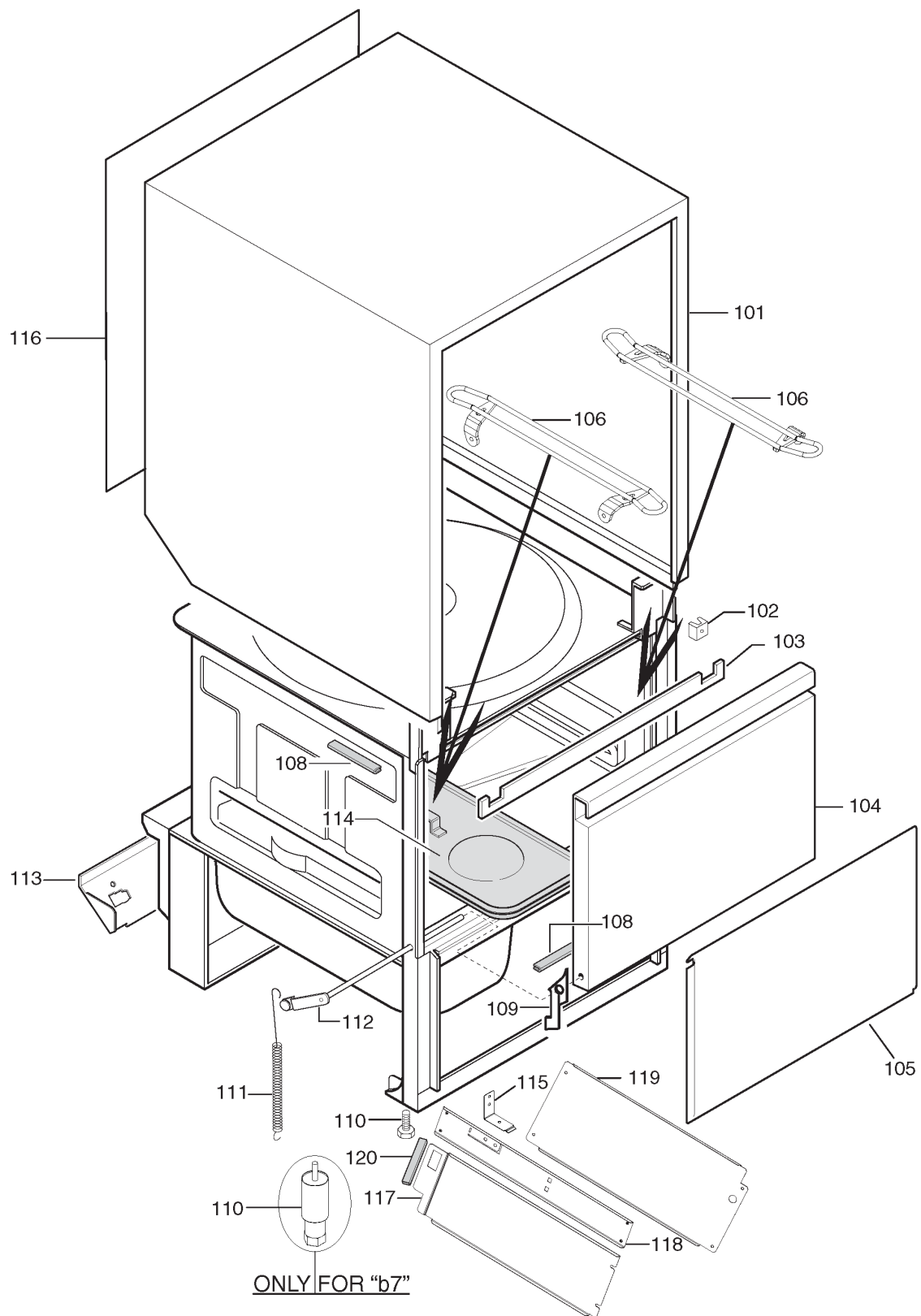
Marchio/ Brand: E
Paese/ Country: Tutti/ All

Da Ser.Nr./From Ser.nr.: /908

Page: 1

Ed. 2014-12

Doc. Nr.: **595666300**



ill. 601801p1
Vista generale / Main view

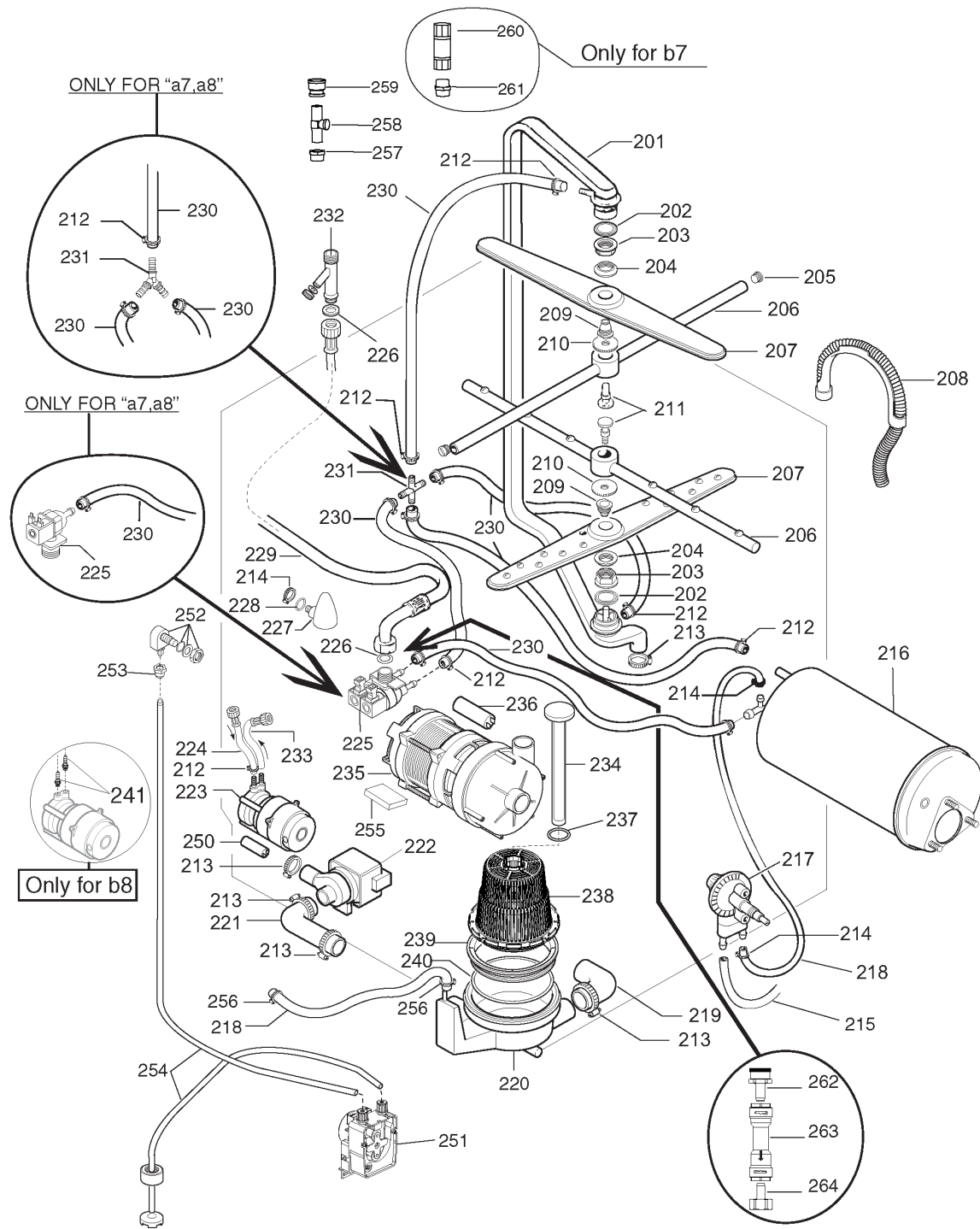
Da Ser.Nr./From Ser.nr.: /908

Page: 2

Ed. 2012-05

Doc. Nr.: **595666300**

??????	402030									
??????	595666300	???????? 2					Main view			
.		Alias		S			.			(Euro)
0101	049207							COVERING	b,c,d,f,j,k,l,m,n,s,t,u,v,x,y,z,a3, a4,a5,a6,b1,b2,b3, b4,b5 - Up to Ser. Nr.: 303	193,90
0101	0L2079							COVERING	b,c,d,f,j,k,l,m,n,s,t,u,v,x,y,z,a3, a4,a5,a6,b1,b2,b3, b4,b5,c1,c2 - From Ser. Nr.: 304	114,70
0102	049247			S				SCREW		1,02
0103	049017			S				DOOR GASKET; L=440MM		3,48
0104	049089			S				DOOR	b,c,d,f,j,k,l,m,n,s,t,u,v,x,y,z,a3, a4,a5,a6,b1,b2,b3, b4,b5,c1,c2	179,70
0105	0L1997							FRONT PANEL; LB1 LB2	o,p,q,a,b1,b2,r,b3,s,t,u,b,m,c, e,g,h,f,i,l,c1,c2,a9,a10,d,x,y,j,k ,b7,b6,a7,a8,b8,b9,c3,a1,a2,b 4,b5,a3,a4,a5,a6 - Up to Ser. Nr.: 303	52,48
0105	0L2949							FRONT PANEL	o,p,q,a,b1,b2,r,b3,s,t,u,b,m,c, e,g,h,f,i,l,c1,c2,a9,a10,d,x,y,j,k ,b7,b6,a7,a8,b8,b9,c3,a1,a2,b 4,b5,a3,a4,a5,a6 - From Ser. Nr.: 304	46,69
0108	049016			S				GASKET; BY METER		7,60
0109	049246			S		60010		DRIP TRAY SLIDE		1,02
0110	049393			S	C			LEVELLING FOOT; Ø=30MM; H=31MM		1,35
0111	049086			S				SPRING	b,c,d,f,j,k,l,m,n,s,t,u,v,x,y,z,a3, a4,a5,a6,a7,a8,a9, a10,b1,b2,b3,b4,b5,b6,b7,b8, b9,c1,c2,c3	17,73
0112	049802			S				LEVER		13,42
0113	0L2080							REAR PANEL	a,b,c,d,e,f,g,h,m,n,o,p,q,r,s,t,u ,v,x,y,z,a1,a2,a3,a 4,a5,a6,a7,a8,a9,a10,b1,b2,b 3,b4,b5,b6,b7,b8, b9,c1,c2,c3	34,92
0114	049051			S				STRAINER	Up to Ser. Nr.: 303	55,22
0116	049209							BACK PANEL	b,c,d,f,j,k,l,m,n,s,t,u,v,x,y,z,a3, a4,a5,a6,a7,a8,a9, a10,b1,b2,b3,b4,b5,b6,b7,b8, b9,c1,c2,c3	48,72
0117	0L2420							BOTTOM	From Ser. Nr.: 042	28,72
0118	0L2419							CROSSPIECE	o,p,q,a,n,b1,b2,r,b3,s,t,u,b,m, c,e,g,h,f,i,l,c1,c2,d,v,z,x,y,j,k,a 1,a2,b4,b5,a3,a4,a5,a6	19,74
0119	0L2421							BOTTOM	From Ser. Nr.: 042	25,38
0120	0L0689		046583	S				ELASTOMER GASKET; BY METER	30 cm - From Ser. Nr.: 042	



iii. 601801p2
Componenti idraulici / Hydraulic components

Da Ser.Nr./From Ser.nr.: /908

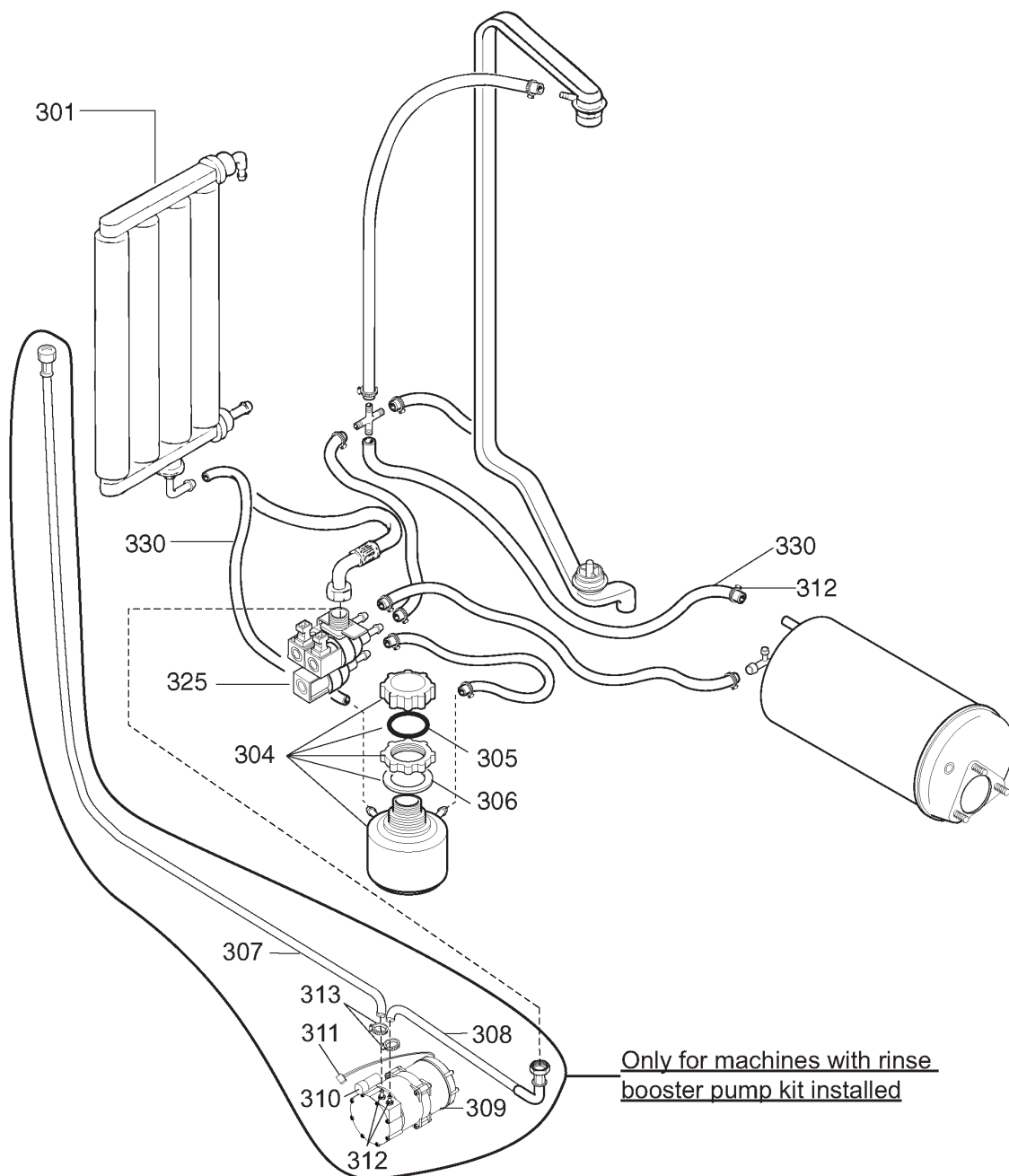
Page: 3

Ed. 2012-09

Doc. Nr.: **595666300**

??????	402030									
??????	595666300	???????? 3					Hydraulic components			
.		Alias		S			.		(Euro)	
0201	049946			S			WASH GROUP	b,c,d,f,j,k,l,m,n,s,t,u,v,x,y,z,a3, a4,a5,a6,a7,a8,a9,a10,b1,b2, b3,b4,b5,b6,b7,b8,b9,c1,c2,c3	63,23	
0202	049038			S			GASKET		4,01	
0203	049039			S			RING NUT		2,01	
0204	049043			S			RING NUT		2,74	
0205	048714			S		CGX200 2-09	PLUG; FOR RINSE ARM	Up to Ser. Nr.: 938	1,02	
0206	049049		0L2096			CGX200 2-09	RINSE ARM	Up to Ser. Nr.: 938		
0206	0L2096			S			RINSE ARM	From Ser. Nr.: 939	61,92	
0207	049044			S			WASH ARM		31,36	
0208	0L1998			S			DRAIN HOSE	a,b,f,j,k,h,i,l,m,n,q,r,u,v,x,y,z,a 8,a10,b1,b2,b3,b4,b5,b6,b8,c 1,c2,c3	18,06	
0209	049042			S			BUSH		11,20	
0210	049047			S			WASHER		10,56	
0211	049046			S			PIN		16,79	
0212	048126			S			CLIP; 13-20		1,58	
0213	047578			S			CLAMP; 26-38		1,80	
0214	046946			S			CLAMP; 8-12/7,5		2,22	
0215	0L0481			S			TUBE; L=2660 MM; ØE=6 MM; DETERG.PUMP		10,67	
0216	0L1953		0L2081				BOILER; ASSY; LB1/2	o,p,q,a,n,b1,b2,r,b3,s,t,u,b,m, c,e,g,h,f,i,l,c1,c2,d,v,z,x,y,j,k,a 1,a2,b4,b5,a3,a4,a5,a6 - Up to Ser. Nr.: 009		
0216	0L2081						BOILER	o,p,q,a,n,b1,b2,r,b3,s,t,u,b,m, c,e,g,h,f,i,l,c1,c2,d,v,z,x,y,j,k,a 1,a2,b4,b5,a3,a4,a5,a6 - From Ser. Nr.: 010	183,70	
0217	0L0094		0L3182		C		RINSE AID DISPENSER	Up to Ser. nr. 347		
0217	0L3182			S	C		RINSE AID DISPENSER	From to Ser. nr. 348	70,34	
0218	072393			S			HOSE; Ø=4X7,4MM; L=500CM; PRESSURE SWITC	o,p,q,a,n,b1,b2,r,b3,s,t,u,b,m, c,e,g,h,f,i,l,c1,c2,d,v,z,x,y,j,k,a 1,a2,b4,b5,a3,a4,a5,a6	11,67	
0219	0L0405			S			PIPE FITTING		10,98	
0220	049035			S			MANIFOLD		20,91	
0221	049080						SLEEVE	a,b,f,h,i,j,k,l,m,n,q,r,u,v,x,y,z,a 8,a10,b1,b2,b3,b4, b5,b6,b7,b8,c1,c2,c3	18,27	
0222	0L0994		0L0692	S		+	CGX201 2-02	DRAIN PUMP; 220V 50 HZ; ASKOLL TIPO SC	a,b,f,h,i,j,k,l,m,q,r,u,v,x,y,z,a8, a10,b1,b2,b3,b4, b5,b6,b7,c3 - Up to Ser. Nr.: 144	
0222	0L2133		0L2657	S		+	CGX201 2-02	DRAIN PUMP; TYPE DPO25 200/240V 50/60HZ	a,b,f,h,i,j,k,l,m,q,r,u,v,x,y,z,a8, a10,b1,b2,b3,b4, b5,b6,b8,c1,c2,c3 - From Ser. Nr.: 145	
0226	0L1945			S			GASKET; SET 50PCS; DIA.26,5MM		16,55	
0227	048853			S			AIR CHAMBER	a,b,f,h,i,j,k,l,m,n,q,r,u,v,x,y,z,a 8,a10,b1,b2,b3,b4, b5,b6,b7,b9,c1,c2,c3	4,01	
0228	068642			S			O-RING; ØI=15,54X2,62	a,b,f,h,i,j,k,l,m,n,q,r,u,v,x,y,z,a 8,a10,b1,b2,b3,b4, b5,b6,b7,b9,c1,c2,c3	1,02	

??????	402030								
??????	595666300	???????? 3	Hydraulic components						
.		Alias	S			.			(Euro)
0229	0L1887		S	C			FEEDING HOSE; 2000MM	a,b,c,d,e,g,i,j,k,l,m,o,p,q,s,t,u,v,x,z,a1,a2,a3,a4,a5,a6,b1,b4,b5,b7,c1,c2	14,49
0230	048531		S				RUBBER HOSE; ØI=12MM;ØE=19,5MM;BY METER		9,55
0231	0L0353		S				CONNECTION	o,p,q,a,n,b1,b2,r,b3,s,t,u,b,m,c,e,g,h,f,i,l,c1,c2,d,v,z,x,y,j,k,b7,b8,a1,a2,b4,b5,a3,a4,a5,a6	29,54
0232	048834		S				STRAINER	o,p,q,a,n,b1,b2,r,b3,s,t,u,b,m,c,e,g,h,f,i,l,c1,c2,d,v,z,x,y,j,k,b7,b8,a1,a2,b4,b5,a3,a4,a5,a6	13,63
0234	049195		S				OVERFLOW TUBE	a,b,f,h,i,j,k,l,m,n,q,r,u,v,x,y,z,a8,a10,b1,b2,b3,b4,b5,b6,b7,b8,c1,c2,c3	4,01
0235	0L0571		S				PUMP; ZFCI 121 DX; 220-240V/1PH.; 50HZ	o,p,q,a,b1,b2,r,b3,s,t,u,b,m,c,e,g,h,f,i,l,c1,c2,a9,a10,d,v,z,x,y,j,k,b7,b6,a7,a8,b8,b9,c3,a1,a2,b4,b5,a3,a4,a5,a6	153,30
0236	049260		S				CAPACITOR; 6,3MF, F. PUMP 049057		21,42
0237	049036		S				RING; ØI=20,35X1,78 MM		1,02
0238	0L2757		S				PUMP STRAINER		10,98
0239	049034		S				RING NUT		4,85
0240	049033		S				RING		3,59
0255	0L0480						ADHESIVE INSULATION; 35X25X10; GREY		1,02
0256	046946		S				CLAMP; 8-12/7,5	o,p,q,a,n,b1,b2,r,b3,s,t,u,b,m,c,e,g,h,f,i,l,c1,c2,d,v,z,x,y,j,k,b8,a1,a2,b4,b5,a3,a4,a5,a6	2,22
0257	0L0262		S				REDUCTION; M.3/4" - F.1/2"	o,p,q,a,n,b1,b2,r,b3,s,t,u,b,m,c,e,g,h,f,i,l,c1,c2,a9,a10,d,v,z,x,y,j,k,b7,b6,a7,a8,b9,c3,a1,a2,b4,b5,a3,a4,a5,a6 - From Ser. Nr.: 042	11,20
0258	0L0264		S				NONRETURN VALVE	o,p,q,a,n,b1,b2,r,b3,s,t,u,b,m,c,e,g,h,f,i,l,c1,c2,a9,a10,d,v,z,x,y,j,k,b7,b6,a7,a8,b9,c3,a1,a2,b4,b5,a3,a4,a5,a6 - From Ser. Nr.: 042	39,48
0259	0L0263		S				FEMALE JUNCTION; 3/4"-1/2"	o,p,q,a,n,b1,b2,r,b3,s,t,u,b,m,c,e,g,h,f,i,l,c1,c2,a9,a10,d,v,z,x,y,j,k,b7,b6,a7,a8,b9,c3,a1,a2,b4,b5,a3,a4,a5,a6 - From Ser. Nr.: 042	19,22
0263	000000	549647800							
0264	000000	544688H00							



ill. 601801p3
Componenti idraulici / Hydraulic components

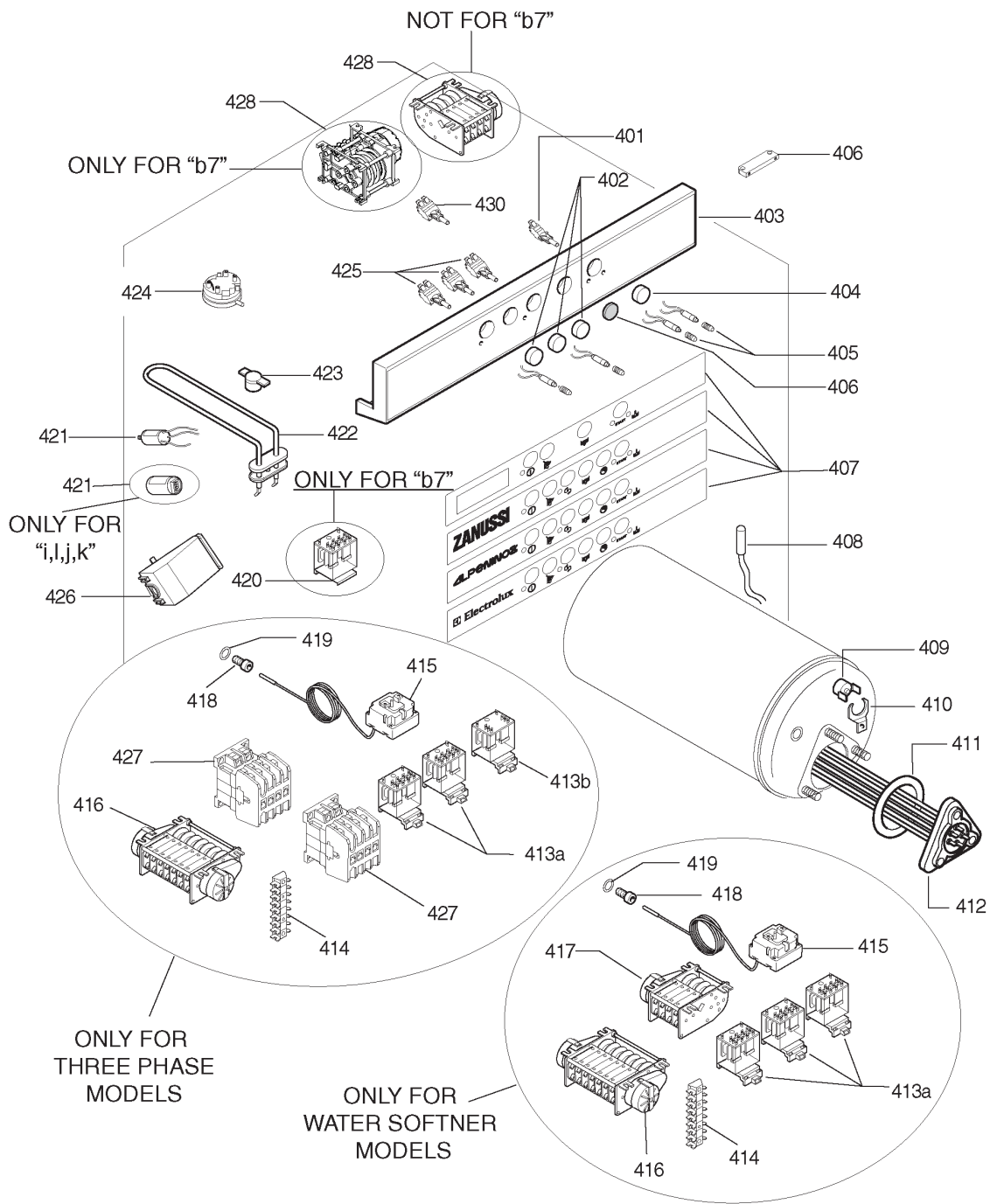
Da Ser.Nr./From Ser.nr.: /908

Page: 4

Ed. 2009-02

Doc. Nr.: **595666300**

??????	402030								
??????	595666300	???????? 4					Hydraulic components		
.		Alias		S			.		(Euro)
0301	049074			S			WATER SOFTENER	a,b,c,f,g,h,m,n,p,q,r,s,u,x,y,z,a 2,a4,a5,b2,b3,b5,c2	63,13
0304	049075			S			SALT CONTAINER	a,b,c,f,g,h,m,n,p,q,r,s,u,x,y,z,a 2,a4,a5,b2,b3,b5,c2	34,41
0305	049245						GASKET	a,b,c,g,f,h,m,n,p,q,r,s,u,x,y,z,a 2,a4,a5,b2,b3,b5,c2	
0306	049244						GASKET	a,b,c,g,f,h,m,n,p,q,r,s,u,x,y,z,a 2,a4,a5,b2,b3,b5,c2	
0325	049077			S			SOLENOID VALVE; 359F; 230V 50/60HZ	a,b,c,f,g,h,m,n,p,q,r,s,u,x,y,z,a 2,a4,a5,b2,b3,b5,c2	
0330	048531			S			RUBBER HOSE; ØI=12MM;ØE=19,5MM;BY METER		9,55



iii. 601801p4
Componenti elettrici / Electrical components

Da Ser.Nr./From Ser.nr.: /908

Page: 5

Ed. 2013-06

Doc. Nr.: **595666300**

??????	402030									
??????	595666300	???????? 5	Electrical components							
.		Alias		S			.		(Euro)	
0401	049068			S				PRESS SWITCH	9,34	
0402	049062			S				BUTTON; GREY	1,91	
0403	0L1999			S				CONTROL PANEL	15,62	
0404	049091			S				BUTTON; GREEN COLOR	1,91	
0405	049064			S				PILOT LAMP; GREEN; 250V	4,96	
0407	0L2000			S				ADHESIVE MEMBRANE	a,b,f,h,m,n,b2,b3	19,85
0408	048486			S	C			REED SWITCH	o,p,q,a,n,b1,b2,r,b3,s,t,u,b,m,c,e,g,h,f,i,l,c1,c2,d,v,z,x,y,j,k,b8,a1,a2,b4,b5,a3,a4,a5,a6	12,42
0409	048887			S				SAFETY THERMOSTAT; BOILER; 112°C		14,15
0410	048987			S				BRACKET; FOR SAFETY THERMOSTAT		2,96
0411	067620		0L2765	S				O-RING;FOR HEATING EL.;DI=47MM;DE=57,68		
0412	048927		0L1634	S		+		BOILER HEATING ELEMENT; 3000W 230	a,b,c,d,e,f,g,h,m,n,o,p,q,r,s,t,u,v,x,y,z,a1,a2,a3,a4,a5,a6,a7,a8,a9,a10,b1,b2,b3,b4,b5,b6,b7,b9,c1,c2,c3	
0414	045794							TERMINAL BOARD	o,p,q,a,n,b1,b2,r,b3,s,t,u,b,m,c,e,g,h,f,i,l,c1,c2,d,v,z,x,y,j,k,b8.a1.a2.b4.b5.a3.a4.a5.a6	12,63
0415	049255		0L2122					BOILER THERMOSTAT; 82 C	Up to Ser. Nr.: 009	
0415	0L2122			S				BOILER THERMOSTAT; 83°C	From Ser. Nr.: 010	47,30
0416	049256		0L3420	S				IMER; 7 CAMS; 220-240V 50HZ	o,p,q,a,b1,b2,r,b3,s,t,u,b,m,c,e,g,h,f,i,l,c1,c2,d,v,z,x,y,j,k,b8,a1,a2,b4,b5,a3,a4,a5,a6	
0417	049251		0L3421	S				TIMER	a,b,f,h,m,q,r,u,x,y,z,b2,b3,b5,c2	
0418	067899			S				STUFFING BOX		4,75
0419	067898			S				O-RING; ØI= MM.6,07X1,78		1,02
0421	048726		093636					INTERFERENCE FILTER	Up to Ser. Nr.: 205	4,04
0422	049059			S				TANK HEATING ELEMENT; 800W 230V		33,70
0423	048804			S				BIMETALLIC THERMOSTAT - STEP 5		14,00
0424	049081			S				PRESSURE SWITCH	a,b,f,h,i,j,k,l,m,n,q,r,u,v,x,y,z,a10,b1,b2,b3,b4,b5,b6,b7,b8,c1,c2,c3	32,68
0425	049063			S				BIPOLAR SWITCH		9,34
0426	049370							TERMINAL BOARD	a,b,c,d,e,f,g,h,m,n,o,p,q,r,s,t,u,v,x,y,z,a1,a2,a3,a4,a5,a6,a7,a8,a9,a10,b1,b2,b3,b4,b5,b6,b7,b8,b9,c1,c2,c3	5,17
413a	048611			S				RELAY; 230V 4 CONTACTS	a,b,f,h,i,j,k,l,m,n,q,r,u,v,x,y,z,a5,b1,b2,b3,b4,b5,c1,c2	31,97