

**LAVASTOVIGLIE SOTTOTAVOLO
UNDRECOUNTER DISHWASHER****LS5 / WT4**

Code	Type	Ref.	Pagina/ Page
400007	WT4	a	2 3 4 5
400008	WT4B	b	2 3 4 5
400009	WT4D	c	2 3 4 5
400015	WT4DB	d	2 3 4 5
400016	WT46	e	2 3 4 5
400042	WT4D60	i	2 3 4 5
400043	WT4DDG	w	2 3 4 5
400100	LS5/1	f	2 3 4 5
400102	LS5/1DP	g	2 3 4 5
400112	LS5/3	h	2 3 4 5
400113	LS5/3DP	k	2 3 4 5
400124	LS5/1DP60	q	2 3 4 5
400125	LS5/1DPAUS	r	2 3 4 5
400126	LS5/1DPCS	u	2 3 4 5
690004	FL5	l	2 3 4 5
690005	FL5DP	m	2 3 4 5
690006	LV5	n	2 3 4 5
690007	LV5/DP	o	2 3 4 5
690010	UC5/1DP	p	2 3 4 5
690013	LD5DP	s	2 3 4 5
690014	LD5	t	2 3 4 5
690017	UC5/1	v	2 3 4 5
690018	UC5/1DP	z	2 3 4 5
690027	FL5DDG	x	2 3 4 5

Pagina/ Page**Indice/ index**

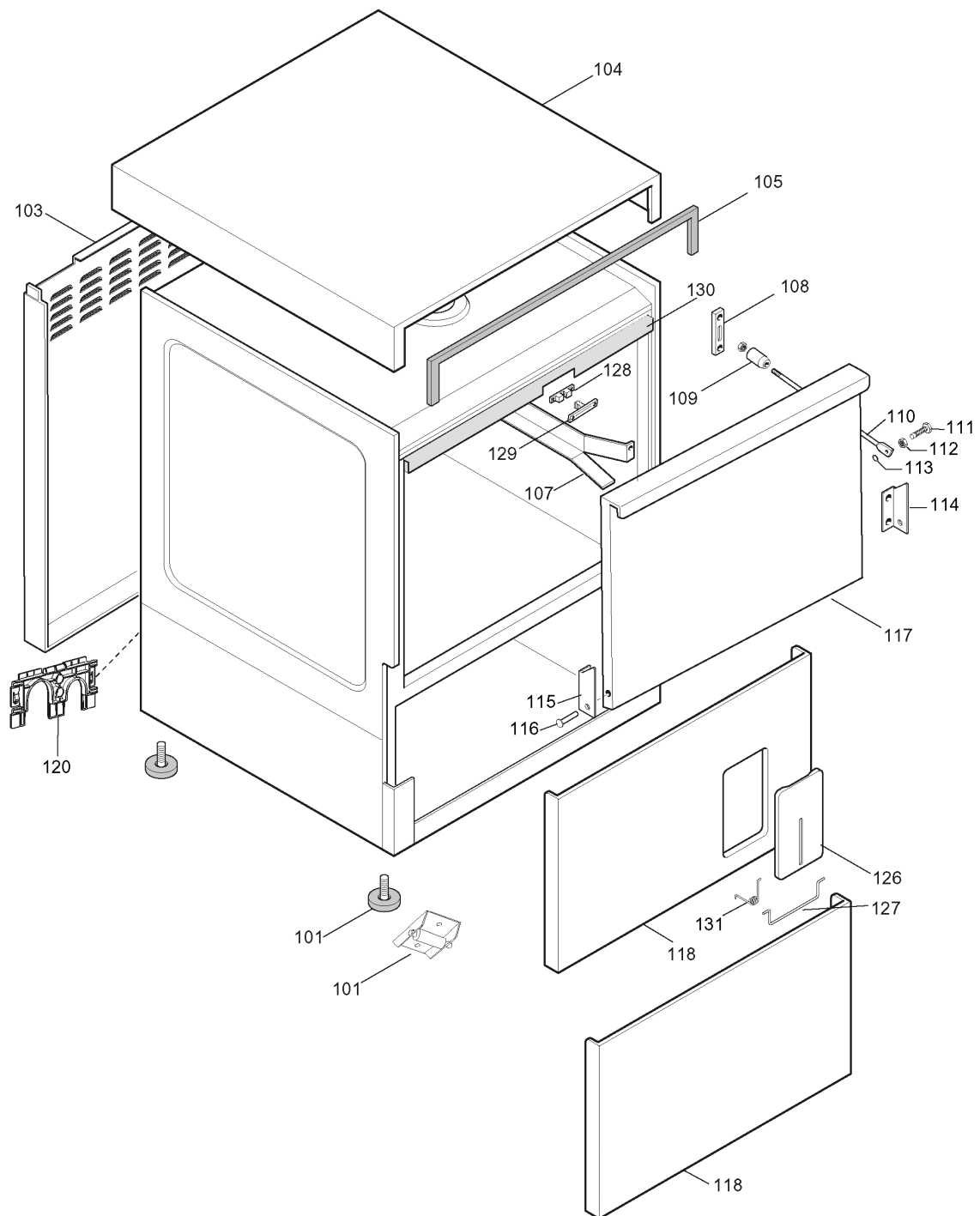
2	Vista generale / Main view
3	Componenti idraulici / Hydraulic components
4	Circuito idraulico / Hydraulic circuit
5	Componenti elettrici / Electrical components
6 - 10	Lista ricambi / Spare parts list

Marchio/ Brand: Z - A - F - E**Paese/ Country:** Tutti/ All

Da Ser.Nr./From Ser.nr.: /219...

Page: 1 Ed.2008-05

Doc. Nr.: 6-12 003



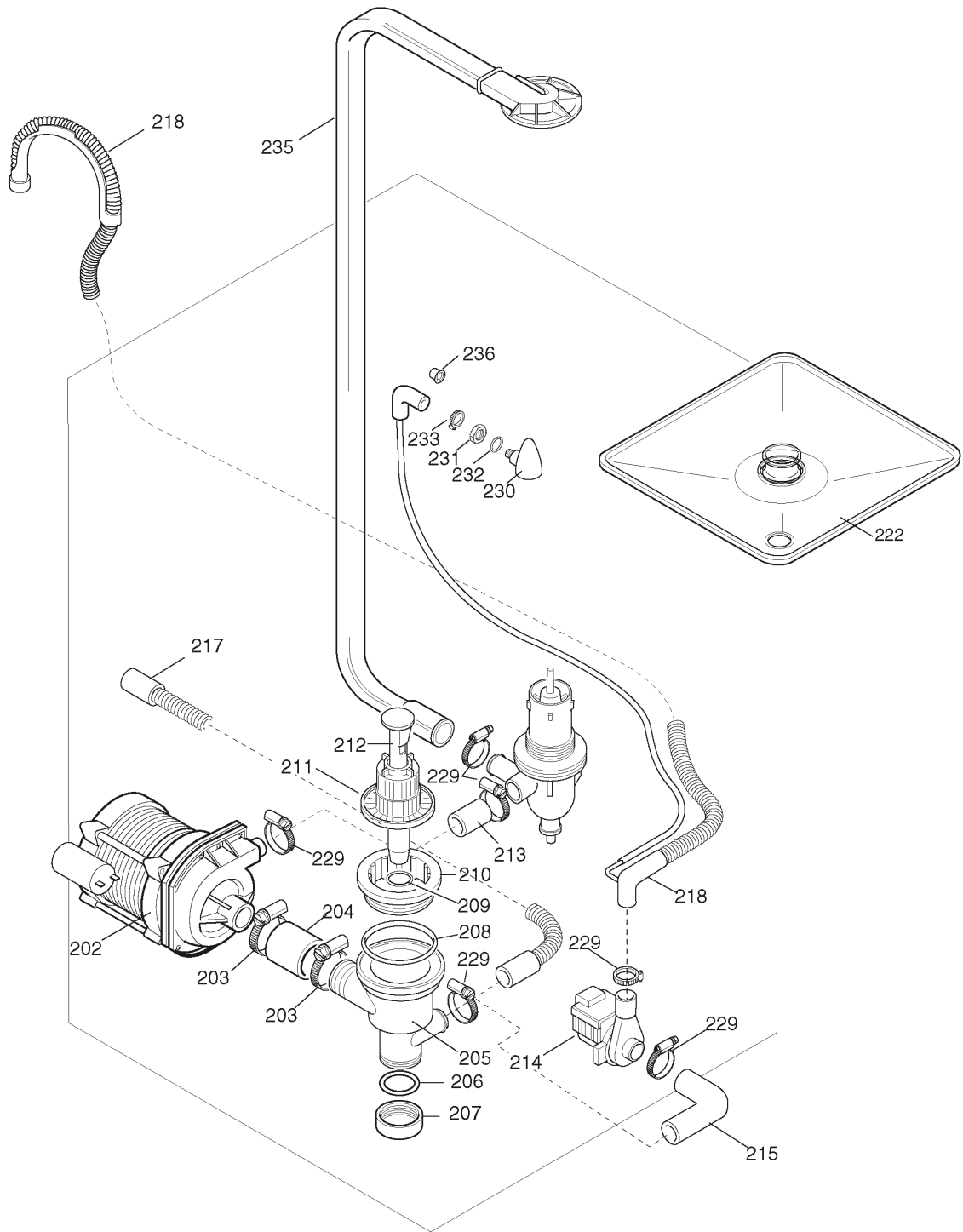
ill. 612003p2
 Vista generale / Main view

Da Ser.Nr./From Ser.nr.: /219...

Page: 2 Ed.2008-02

Doc. Nr.: 6-12 003

??????	40007								
??????	6-12003		???????? 2				Main view		
.		Alias		S			.		(Euro)
0101	049393							LEVELLING FOOT; Ø=30MM; H=31MM	1,35
0103	049949				D			BACK PANEL	Up to ser nr:244
0103	0L0123							BACK	From ser nr:245
0104	049948							LID	Up to ser nr:244
0104	0L0122							COVER; ASSY	From ser nr:245
0105	046583					Kit		GASKET; 1PZ=5MT	9,12
0107	049272							SUPPORT	51,89
0107	049273							SUPPORT	31,57
0108	049285							PLAQUE	1,91
0109	049286							SHOCK ABSORBER	1,68
0110	049282							TIE ROD	16,36
0111	049283							PIN; FOR DOOR TIE ROD	6,45
0112	049372							NUT	1,02
0113	049284							RING	1,02
0114	049279							HINGE	20,81
0115	049280							HINGE	20,13
0116	049281							PIN	18,36
0117	049951		0L2068		D			DOOR	
0118	049974							FRONT PANEL	a,b,c,d,e,i - Up to Ser N 649
0118	049985							FRONT PANEL; LS5	96,43
0118	0L1649		0L2568					FRONT PANEL; LS5	u,v,z - From Ser N 650 - Up to ser nr:806
0119	047551							LID	w,a,b,c,d,e,i,f,g,h,k,l,m,n,x,o,p,q,r,u,v,z - From ser nr:807
0120	0L0112							COVERING	4,44
0126	048363							DOOR	From ser nr:245
0127	049023							SPRING	Up to Ser N 649
0128	049271							LATCH	19,59
0129	049536							CATCH	4,57
0130	0L0021			S				GASKET; L=592MM	53,90
0131	048279							SPRING	24,87
									Up to Ser N 649
									6,15



ill. 612003p3
Componenti idraulici / Hydraulic components

Da Ser.Nr./From Ser.nr.: /219...

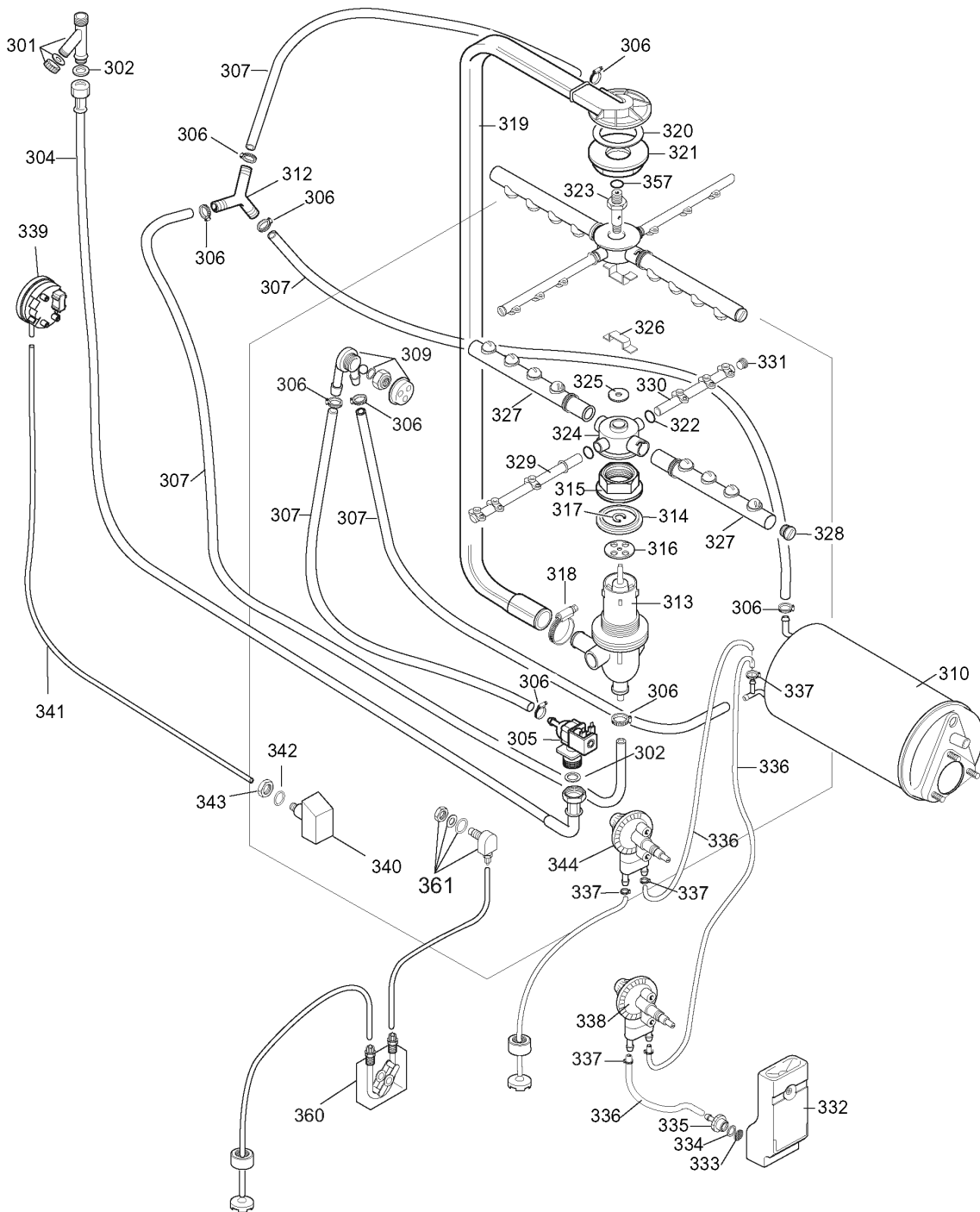
Page: 3 Ed.2002-06

Doc. Nr.: 6-12 003

?????? 40007

?????? 6-12003 ???????? 3 Hydraulic components

.		Alias		S			.		(Euro)	
0202	0L0126			S	A			WASH PUMP; ZF340SX; 230V 1PH; 50HZ	a,c,f,g,p,r,u,v,z,w,x - From ser nr:650	222,30
0203	046855							HOSE CLAMP; 50-70/9		2,00
0204	0L0259			S				JUNCTION		4,33
0205	048325					+		DRAIN MANIFOLD		
0206	049828			S				O-RING; ØI=50MM; ØE=59,5MM		1,62
0207	046596							PLUG; FOR MANIFOLD		2,74
0208	049894							O-RING; ØI=110X4 MM		2,01
0209	046799							O-RING; FOR OVERFLOW PIPE		1,02
0210	048326							RING NUT; FOR MANIFOLD		6,12
0211	048324					+		PUMP SUCTION FILTER		10,64
0212	048323							OVERFLOW PIPE	a,b,e,f,h,l,n,t,v	8,23
0213	046257							HOSE; ØI=42MM; ØE=52MM; L=430MM		19,53
0215	049877							SLEEVE		11,72
0217	049856							DRAIN PIPE; L=1600MM.	a,b,e,f,h,l,n,t,v	11,50
0229	046878							HOSE CLAMP; 35-50/9		1,91
0230	048853							AIR CHAMBER		4,01
0231	049268							HEX NUT; M14X1,5		1,80
0232	068642							O-RING; ØI=15,54X2,62		1,02
0233	046946							CLAMP; 8-12/7,5		2,22
0235	049291							HOSE	Up to ser nr:244	
0235	0L0125			S				SUPPORTING TUBE FOR UPPER JETS	From ser nr:245	35,22
0236	049849							STOPPER		1,02



iii. 612003p4A
Circuito idraulico / Hydraulic circuit

Da Ser.Nr./From Ser.nr.: /219...

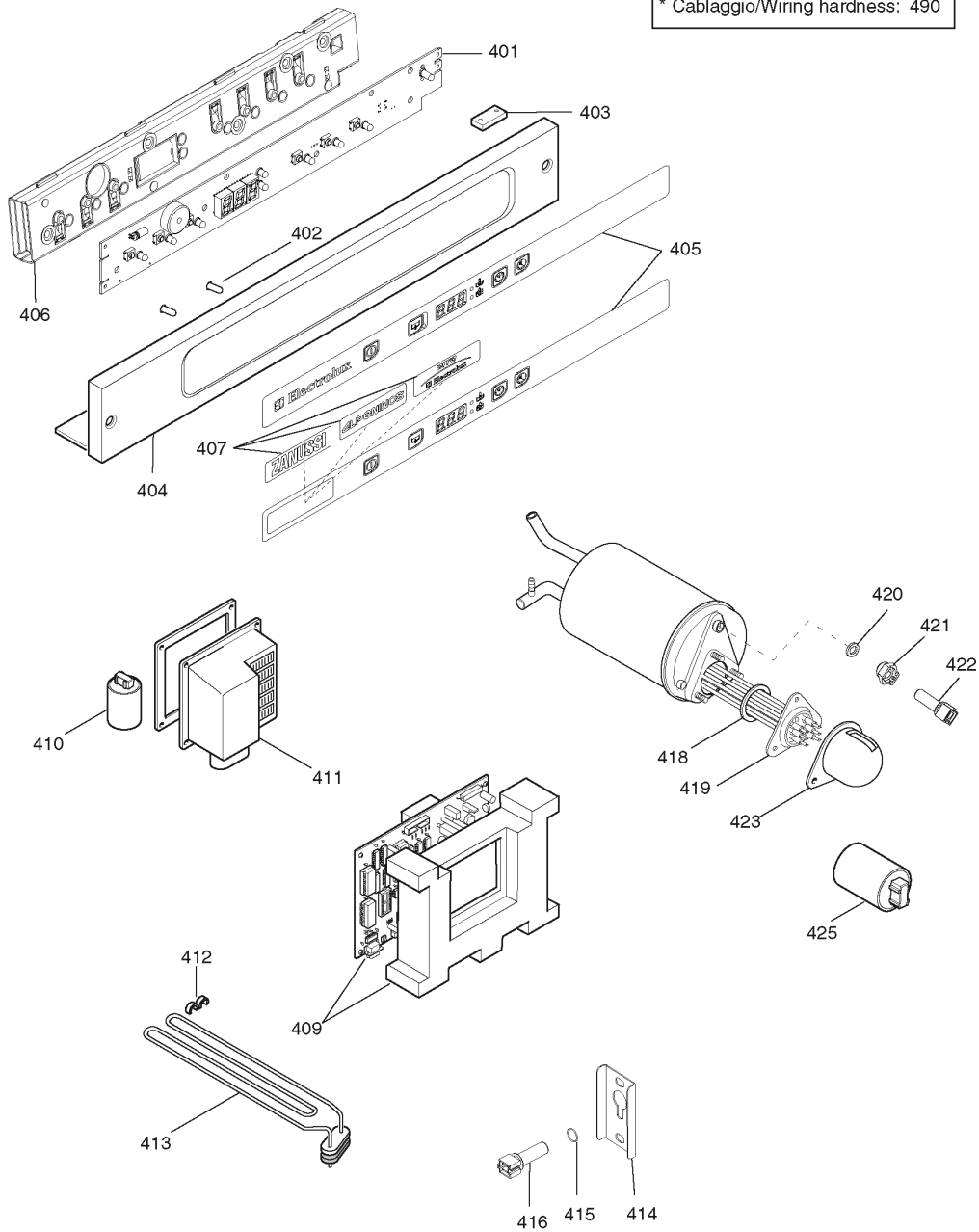
Page: 4 Ed.2006-11

Doc. Nr.: 6-12 003

??????	40007									
??????	6-12003		???????? 4				Hydraulic circuit			
.		Alias		S			.			(Euro)
0301	048834						STRAINER			13,63
0302	046925		049201			CGX200 2-08	GASKET; ØI=13MM; ØE=24MM; H=3MM			
0304	048816						HOSE	not for "r,u"		
0305	048817		0L3440				SOLENOID VALVE; 220-240V 50HZ; 319P5			
0306	048126						CLIP; 13-20			1,58
0307	048531						RUBBER HOSE; ØI=12MM;ØE=19,5MM;BY METER			9,55
0309	049332						VALVOLA NON RITORNO; DVGW			
0310	049958						BOILER	Up to ser nr:327		183,70
0310	0L0352			S	A		BOILER	From ser nr:328		183,70
0312	048195						3-WAY FITTING; 2XØ=12MM E 1XØ=8,6MM			6,58
0313	049290						SUPPORT			52,88
0314	048236						GASKET			3,69
0315	048330						RING NUT			5,29
0316	048820						SHUTTER			4,65
0317	048979						SNAP RING			1,42
0318	046878						HOSE CLAMP; 35-50/9			1,91
0319	049291						HOSE	Up to ser nr:244		
0319	0L0125			S			SUPPORTING TUBE FOR UPPER JETS	From ser nr:245		35,22
0320	048823						GASKET	Up to ser nr:244		12,09
0320	0L0110			S			GASKET; ØI=88MM; ØE=120MM; H=1MM	From ser nr:245		8,63
0321	048824						RING NUT			3,48
0322	047473						O-RING; ØI=14MM; ØE= 17,56MM			1,02
0323	049292						PIN			20,40
0324	049293						HUB; FOR WASH ARMS			20,17
0325	047282						WASHER			8,13
0326	049294						WASHER PROTECTION			3,59
0327	049295						WASHING JET			13,52
0328	049296			S	A		CAP; FOR WASH ARM			2,43
0329	049297						RINSE JET			11,93
0330	049298						RINSE JET			11,93
0331	049299						CAP; RINSE ARM			4,12
0332	049975						WETTING AGENT CONTAINER	Up to Ser N 649		13,90
0333	049022						STRAINER	Up to Ser N 649		3,54
0334	067292						OR 115; 2,62X11,91			1,02
0335	049026						RUBBER HOLDER	Up to Ser N 649		1,58

??????	400007								
??????	6-12003		???????? 4				Hydraulic circuit		
.		Alias		S			.		(Euro)
0336	048883						RUBBER HOSE; 5X12; 1PZ=2300MM		12,31
0337	046946						CLAMP; 8-12/7,5		2,22
0338	049484						HYDRAULIC RINSE AID DISPENSER: 0-4 CM3	Up to Ser N 649	
0339	049881					CGX200 4-07	PRESSURE SWITCH;TYPE 760;CALIB.=60/20-11		19,18
0340	048308						AIR TRAP; FOR PRESSURE GAUGE		4,44
0341	049904					CGX200 8-16	PRESSURE SWITCH HOSE; L=60CM		5,17
0342	068642						O-RING; ØI=15,54X2,62		1,02
0343	049268						HEX NUT; M14X1,5		1,80
0344	0L0094		0L4295				RINSE AID DISPENSER	From ser nr:650	
0357	047986						GASKET		

* Cablaggio/Wiring hardness: 490



ill. 612003p5.ai
Componenti elettrici / Electrical components

Da Ser.Nr./From Ser.nr.: /219...

Page: 5 Ed.2003-07

Doc. Nr.: 6-12 003

??????	40007									
??????	6-12003		???????? 5				Electrical components			
.		Alias		S			.			(Euro)
0401	0L0047						USER INTERFACE; NEW LS5/ LS6	Up to ser nr:421 - From ser nr:422		
0401	0L0552				D	CGX200 5-10	USER INTERFACE BOARD	Up to ser nr:523 - From ser nr:524	79,58	
0401	0L0726		0L1626		D		USER INTERFACE BOARD	Up to ser nr:622 - From ser nr:623		
0401	0L1241		0L1626				USER INTERFACE BOARD	Up to ser nr:742 - From ser nr:743		
0401	0L1565		0L1626		D		USER INTERFACE BOARD			
0402	002670						EXTENSION; L=6,95MM	Up to ser nr:742	1,02	
0403	049621					+	REED SWITCH		15,00	
0404	049957						CRUSCOTTO	Up to ser nr:244	296,40	
0404	0L0128						CONTROL PANEL	From ser nr:245 - Up to ser nr:806	128,90	
0404	0L1667						CONTROL PANEL	From ser nr:807	45,27	
0405	049982						MEMBRANE	a,b,c,d,e,i - Up to ser nr:806	205,00	
0405	0L1661		0L3700				ADHESIVE MEMBRANE; LS5	a,b,c,d,e,i - From ser nr:807	40,90	
0406	0L1567		0L1626		D		COVERING; LS5-6	From ser nr:743		
0409	0L1410		0L2582				MOTHERBOARD; DIWAP10 P	a,c,f,g,p,i,q,r,u,v,z,w,x - Up to ser nr:820		
0409	0L1810		0L2582				PCB; DIWAP10	a,c,f,g,p,i,q,r,u,v,z,w,x - From ser nr:821		
0410	049303						RADIO INTERFERENCE FILTER; 250V 50/60HZ		23,55	
0411	049981		0L0127				TERMINAL BOARD	a,c,f,g,p,i,q,r - Up to ser nr:244		
0411	0L0127				S		JUNCTION BOX	a,c,f,g,p,i,q,r,u,v,z,w,x - From ser nr:245	32,48	
0412	048429						BRACKET		2,01	
0413	049954		0L2109				TANK HEATING ELEMENT			
0414	049580						SUPPORT	Up to ser nr:329	14,65	
0414	0L0366				S		SUPPORT	From ser nr:330	3,44	
0415	046376						O-RING			
0416	049643						TEMPERATURE PROBE		9,76	
0418	067620						O-RING;FOR HEATING EL.;DI=47MM;DE=57,68			
0419	049980				S	A	HEATING ELEMENT; 230V 2800W	a,c,f,g,p,i,q,r,u,v,z,w,x	48,01	
0420	046376						O-RING	From ser nr:328		
0420	067898						O-RING; ØI= MM.6,07X1,78	Up to ser nr:327	1,02	
0421	067899						STUFFING BOX	Up to ser nr:327	4,75	
0421	0L0280				S	A	STUFFING BOX	From ser nr:328	11,51	
0422	049643						TEMPERATURE PROBE	From ser nr:328	9,76	
0422	049884						TEMPERATURE PROBE	Up to ser nr:327	48,92	
0423	065560						CAP; FOR BOILER HEATING ELEMENT		1,80	
0425	049901						INDUCTIVE-CAPACITIVE FILTER;SINGLE PHASE		16,36	
0490	049979		0L2485		D		WIRING HARNESS	a,c,f,g,p,i,q,r,u,v,z,w,x		