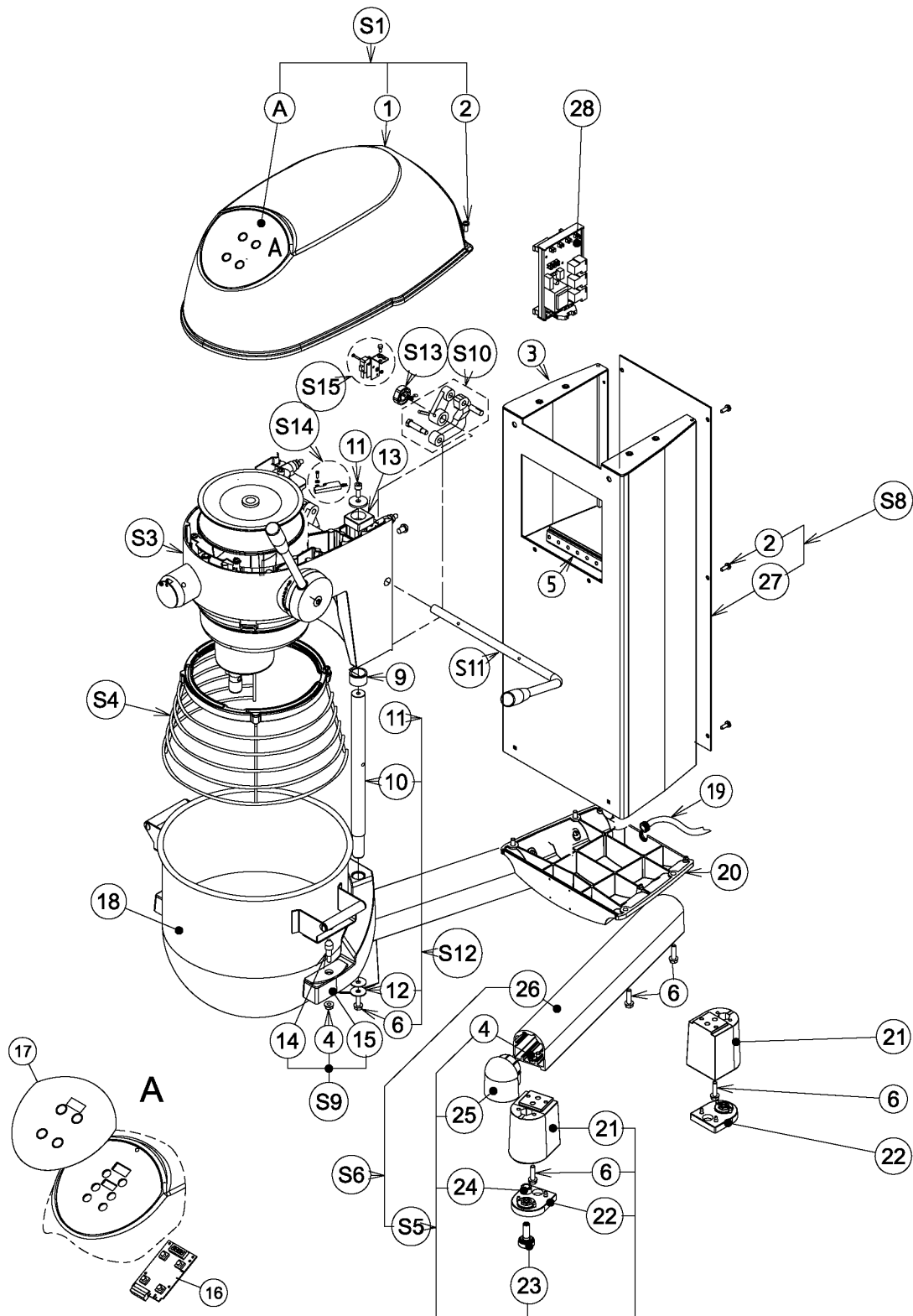


Vue éclatée Structure / Exploded view - Structure / Explosionszeichnung - Rahmen



B

XBM20/30 FR 09 07

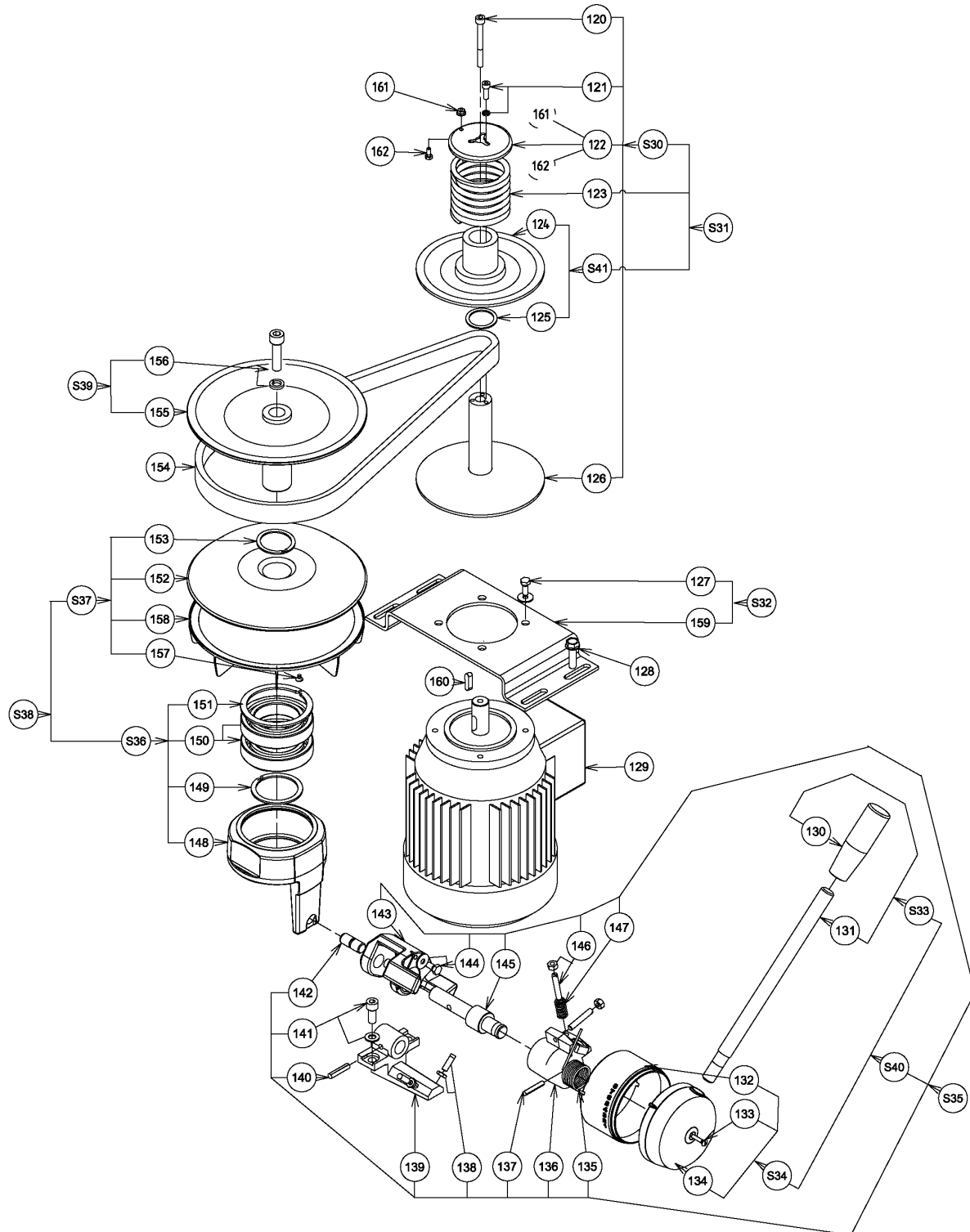
??????	601856									
??????	SPXBM2030	???????? 2						Exploded view - Structure		
.		Alias		S			.			(Euro)
0001	000000								See S1	
0002	0D3333							TAPTITE SCREW TORX; SET 10PCS;M6X16		22,84
0003	0D6463				D			COLUMN; TABLE XBM-XBE-XBB20		388,70
0003	0D6464				D			COLUMN; SOL XBM-XBE-XBB20/30		405,00
0003	0D6465				D			COLUMN; TABLE IN XBM-XBE-XBB20		802,00
0003	0D6466				D			COLUMN; SOL INOX XBM-XBE-XBB20		685,00
0004	0D3590							RING NUT HU M8 WRAPPED SET X10		18,76
0005	0D6574				D			RAIL SUP.; EQ COMPOSANT XBM20		40,09
0006	0D6084							VIS H EMB CRANTEE M8X30 (JX10)		22,74
0009	0D1035							BUSH;2 PCS		39,48
0010	000000								See S12	
0011	0D6084							VIS H EMB CRANTEE M8X30 (JX10)		22,74
0011	0D6275				D			WASHER; BM10 (JEU X5)		28,83
0012	000000									
0013	0U0535							PAD EM12/EM20/EM30		5,29
0014	0KQ284							PIN		7,29
0015	000000								See S9	
0016	0D5366				S			TIMER BOARD; EQ XBM20/30/40		142,10
0017	0D5123		0D7103					MEMBRANE; XBM20		
0017	0D5125		0D7104					MEMBRANE; XBM30		
0018	653160	653160						BOWL FOR 30LT MIXER		
0018	653426	653426						BOWL FOR 20LT MIXER		385,80
0019	0D6134				D			CORDON 4X1MM2 (4XEMB SF) XBM		19,79
0019	0D6135							CORDON 3X1MM2+FICHE (3XEMB SF)		19,22
0019	0D6368							CABLE; + FICHE UK (3 X EMB SF)		18,68
0019	0D6575				D			SUPPLY CABLE; SJOW 3XAWG16 (3XEMB SF)		
0020	0D2781				D			BASE ASSY XBM20/30		78,16
0021	0D6137				S	D		PIED XB20		18,30
0022	0D2778							PAD XBM20/30 (SET X4)		31,97
0023	0D2779				S			ADJUSTABLE PAD XBM20/30 (SET X2)		26,09
0024	0D0587				D			SET OF 10 PCS NUTS NYLOC M12		21,01
0025	0D2776				D			TUBE END PIECE XBM20/30 (SET X4)		23,45
0026	0D6138				D			TUBE PIED XB40		71,76
0027	000000								See S8	
0028	0KJ778				S	A		POWER BOARD; 3-PHASE		151,20

?????? 601856

?????? SPXBM2030 ???????? 2 Exploded view - Structure

.		Alias		S			.		(Euro)
0028	0KQ429			S	A			POWER BOARD; 1-P 220/240V-50/60HZ	197,90
00S1	0D2768							COVER ASSY XBM30	271,00
00S1	0D3459			S				COVER ASSY XBM20	287,20
00S3	0D6468				D			HEAD; SANS PA XBM20/30	2 274,00
00S3	0D6469				D			HEAD; AVEC PA XBM20/30	2 517,00
00S4	0D2770		0D7814					PROTECTIVE GRATING; ASSY XBM20/30	133,00
00S5	0D2777							FOOT ASSY XBM20/30	54,91
00S6	0D2780							FOOT TUBE ASSY XBM20/30	123,80
00S8	0D2786							REAR PLATE THREE PH ASSY XBM20/30	95,41
00S8	0D2787							REAR PLATE SINGLE PH ASSY XBM20/30	90,84
00S8	0D3515				D			REAR PLATE THREE PH (TABLE) ASSY XBM20	106,60
00S8	0D3516				D			REAR PLATE SINGLE PH (TABLE) ASSY XBM20	112,70
00S9	0H1038							CRADLE	215,20
00S9	0U0557				D			BOWL SUPPORT STRUCTURE BM30	387,70
0S10	0D2683							CONTROL LINK ROD ASSY MB BM20	109,60
0S11	0D2774							LIFT/LOWER CONTROL LEVER ASSY XBM20/30	71,76
0S12	0D5363				D			SHAFT; XB20-30	82,32
0S13	0D2773							LIFT/LOWER SAFETY CAM ASSY XBM+BM20/30	19,42
0S14	0D2771			S	A			GUARD SAFETY ASSY; XBM20/30	54,91
0S15	0D2772				A			SAFETY DEVICE ASSY; LIFT./ LOW.; XBM20/30	56,03

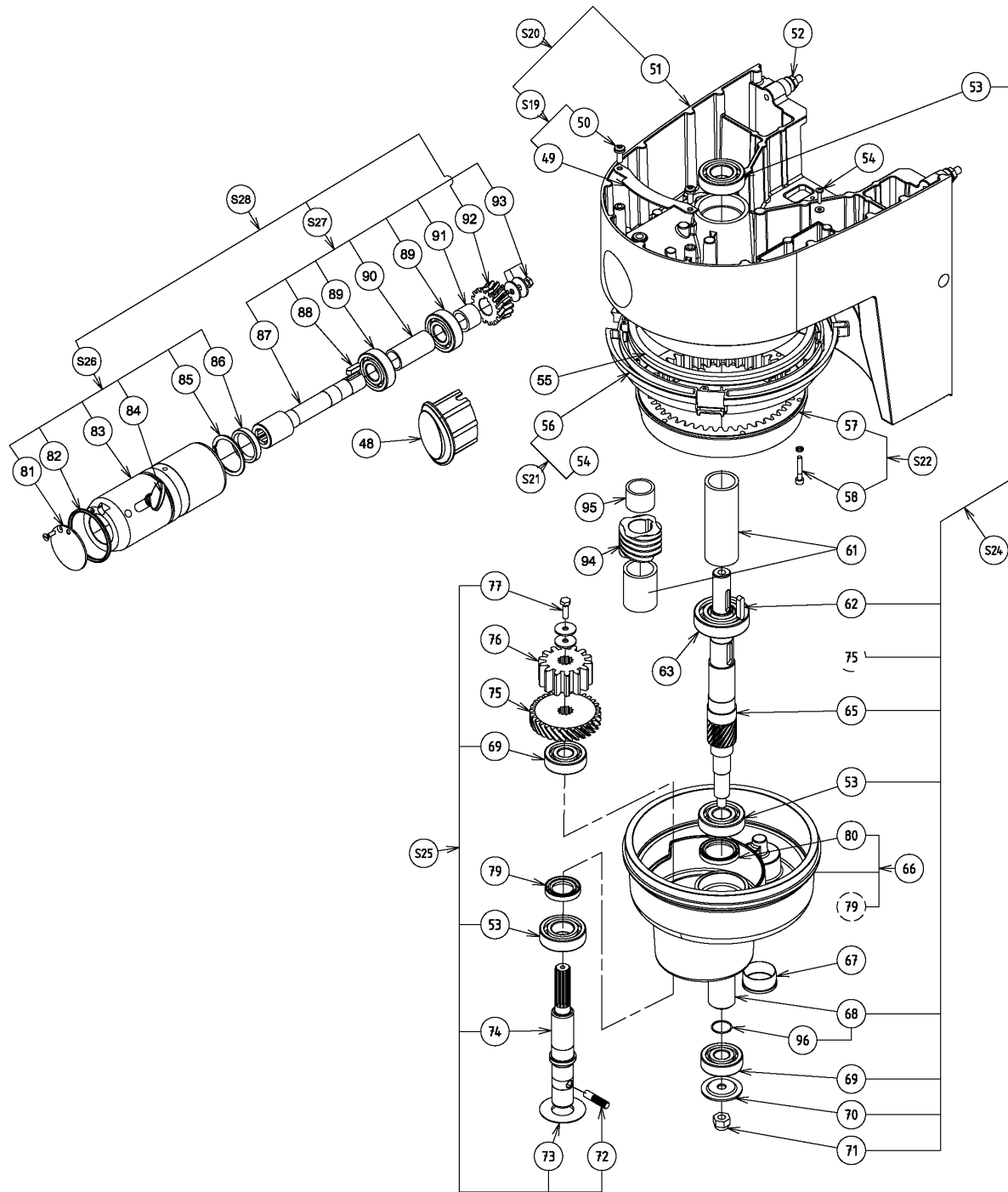
Vue éclatée variateur / Exploded view - Variator



??????	601856								
??????	SPXBM2030	???????? 6					Exploded view - Variator		
.		Alias		S		.			(Euro)
0120	0D2311						SCREW CHCM6X90 SET X5		20,60
0120	0D2876						WASHER W6 SET X10		17,37
0121	0D2297				D		WASHER CS M5 SET X10		18,20
0121	0D2942				D		SCREW H M5X20 STLESS STL (SET X10)		18,57
0122	0D6770				D		WHASER; BM40		33,29
0123	0D2726				D		SPRING XB20		13,62
0124	000000							See S41	
0125	0KQ515						WASHER		24,46
0126	0KQ569		0D6187				FLANGE		
0127	0D0619						WASHER; 10 PCS		19,11
0127	0KQ494						SCREW; 10 PCS		20,27
0128	0D6084						VIS H EMB CRANTEE M8X30 (JX10)		22,74
0129	0D6119						MOTOR; 3PH 230V-400V 50/60HZ		268,00
0130	0D2679						HANDLE; I580/90 N-16 BLACK		10,36
0131	0D6028						LEVIER COM VARIATION XB20		29,94
0132	0D6120				D		RACCORD CHGT VITESSE XB20		8,40
0133	0D0679				D		SCREW; 10 PCS		19,54
0134	0D6121						CAPUCHON XB20		4,58
0135	0KJ730				S		SPRING		4,12
0136	034008				S		LEVER SUPPORT; BM40		56,03
0137	0D3586						PIN G01 5X30 GALVA STL (SET X10)		23,95
0138	0D0590						NUT; 10 PCS		18,69
0138	0U0671						SCREW; 10 PCS		23,85
0139	0KI645						BUFFER		44,66
0140	0D0400						PIN; 10 PCS		23,45
0141	0KQ492						SCREW		21,01
0141	0U0660						WASHER; 10 PCS		19,11
0142	0U0449						STUD		4,96
0143	0KQ356						BRACKET		60,19
0144	0D0619						WASHER; 10 PCS		19,11
0144	0D3587				S		SCREW H M6X12 STL80 (SET X10)		18,57
0145	0U0361						CONTROSTAFFA		32,48
0146	0D0503						NUT; 10 PCS		18,90
0146	0HD006						CHIAVETTA; 4X18		20,27
0147	0KQ353				S		SPRING		1,68
0148	0D6122				D		BALADEUR DEGRAISSE BM20		51,56

??????	601856								
??????	SPXBM2030	???????? 6	Exploded view - Variator						
.		Alias		S			.		(Euro)
0149	0KQ497							C-CLAMP; 10 PCS	27,91
0150	0KQ332			S				BEARING; 6010 2RS	15,77
0151	0KQ498							CLAMP; 10 PCS	33,60
0152	000000							See S37	
0153	0D0496							CLIP; 10 PCS	23,75
0154	0D2720			S	A			BELT; 1000 W 25 EP=10.5	50,65
0155	000000							See S39	
0156	0D2265							WASHER W10 BM40 SET X10	18,57
0156	0D6099							VIS CHC M10X40 AC 80 (JEU X10)	21,52
0157	0D1023				D			SCREW; 10 PCS	19,54
0158	0D6092							VENTILATEUR + VIS XBM20/30/40	32,38
0159	000000							See S32	
0160	0KQ488							KEY; 10 PCS; 10 PCS, 6X6X20 MM	23,75
0161	0D3065							NUT HU M4 WRAPPED (SET X10)	18,02
0162	0U0665							SCREW SS; M4X10, 10 PCS	19,54
0S30	0D6100				D			FLASQUE INF MOTRICE EQ XBM40	118,80
0S31	0D2767							DRIVE PULLEY ASSY XBM20/30	195,90
0S32	0D6095				D			SUPPORT MOTEUR EQ XBM20/30/40	52,48
0S33	0KQ230							SPEED LEVER	50,85
0S34	0D6094				D			ENJOLIVEUR LEVIER COMPLET XBM	33,50
0S35	0D6102			S				SPEED REGULATOR; XBM	254,80
0S36	0D6101							BALADEUR EQ XBM20/30/40	96,02
0S37	0D6093							FLASQUE RECEP < EQ XBM20/30/40	129,90
0S38	0D2760							SLIDING GEAR ASSY XBM20/30	206,00
0S39	0D2759			S				UPPER DRIVEN FLANGE ASSY XBM20/30	124,80
0S40	0D2762							SPEED LEVER+COVER ASSY XBM20/30	62,83
0S41	0D6096							FLASQUE SUP MOTRICE EQ XBM40	76,02

Vue éclatée mécanisme / Exploded view- Mechanism



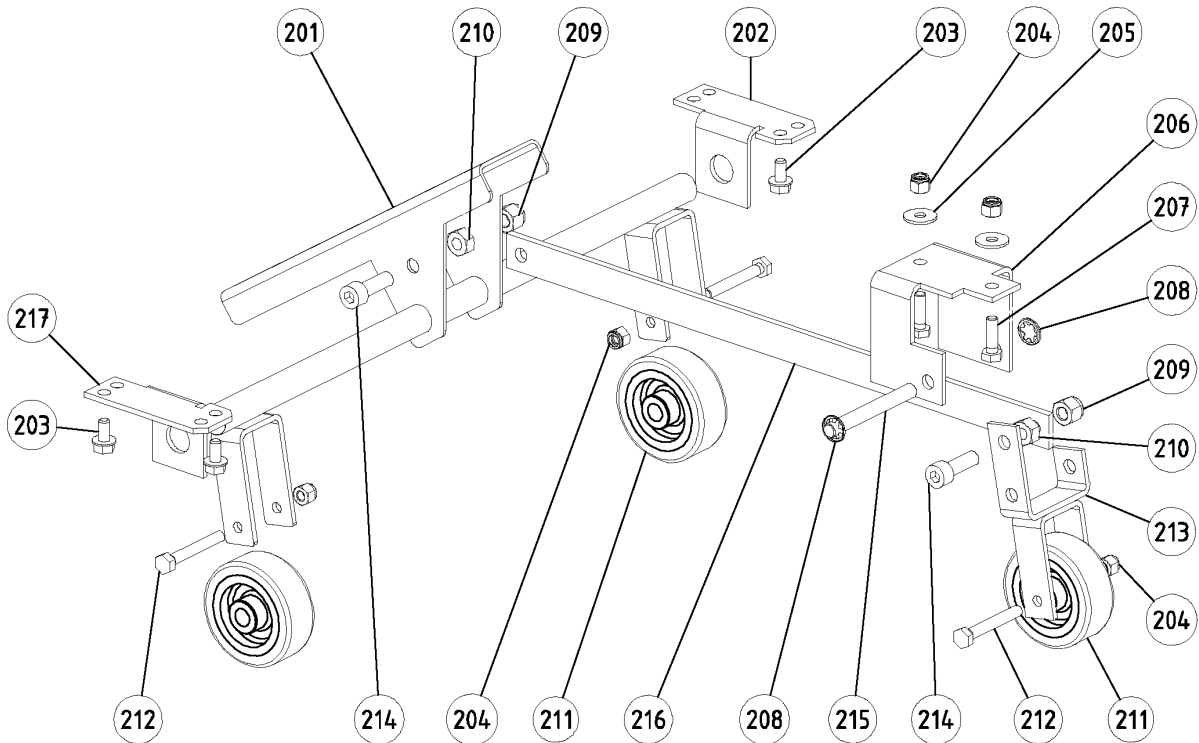
L

XBM20/30 FR 06 08

??????	601856								
??????	SPXBM2030	???????? 12	Exploded view- Mechanism						
.		Alias		S			.		(Euro)
0048	0D5368							ACCESSORY SOCKET COVER; END NAMEPLATE;	27,30
0049	000000							see S19	
0050	0D3333							TAPTITE SCREW TORX; SET 10PCS;M6X16	22,84
0051	000000							see S20	
0052	0D3590							RING NUT HU M8 WRAPPED SET X10	18,76
0053	0KQ394			S	A			BEARING; 6205 2RS	7,50
0054	0D0631						Kit	WASHER; SET 10PCS	5,38
0054	0D1009							SCREW; 10 PCS	20,60
0055	0D2719							V SEAL VA-0190	9,90
0056	000000							see S21	
0057	000000							see S22	
0058	0D6118							VIS CHC M5X30 ACZN (JEU X10)	21,21
0058	0KQ491							WASHER; 10 PCS	18,90
0061	0D6129						D	ENTRETOISE INFERIEURE PA XB20	12,14
0061	0D6130							ENTRETOISE XB20	23,14
0062	0KQ487							KEY; 5 PCS	26,59
0063	0D0006			S				BEARING	9,98
0065	000000							see S24	
0066	0D6110							PLANETAIRE EMBALLE XBM40	315,70
0067	0D5962							PLUG; GPN 300 V301(JEU X10)	25,27
0068	0KQ575							RING; 5 PCS	24,46
0069	0KI590							BALL BEARING; 6303 2RS1	8,42
0070	0U0409							WASHER	5,29
0071	0D0584							NUT; 5 PCS	28,83
0072	0D0955			S	A			COTER PIN; 5 PCS	31,97
0073	0D0954			S				PROTECTION; 2 PCS	30,55
0074	000000							see S25	
0075	000000							see S24	
0076	0D2721			S	A			PINION 14 TEETH XB20	79,58
0077	0D0627							WASHER; 10 PCS	20,71
0077	0KQ512						D	SCREW; 10 PCS	20,40
0079	0D5954							WASHER; 43X25X8 (J X10)	36,64
0080	0D5953							WASHER; 42X30X8 (J X10)	36,64
0081	0D1052							COVER DH XBE10	41,31
0082	0D6041							JOINT TORIQUE 55,56X3,53 JX10	21,21
0083	000000							see S26	

??????	601856								
??????	SPXBM2030	???????? 12	Exploded view- Mechanism						
.	Alias		S			.			(Euro)
0084	0KQ334							WING BOLT; M10X30	13,62
0085	0D0656							CLIP; 10 PCS	24,36
0086	0H1040		S					SEAL; 5 PCS	26,19
0087	000000							see S27	
0088	0KQ488							KEY; 10 PCS; 10 PCS, 6X6X20 MM	23,75
0089	0KQ395		S	A				BEARING; 6204 2RS	8,04
0090	0KL162			D				SPACER	7,18
0091	0D3633							ACCSSRY SOCKT SPACER BM40	15,86
0092	0D2753		S	A				ACCSSRY SOCKT WHEEL ASSY XBM20/30	93,99
0093	0D0627							WASHER; 10 PCS	20,71
0093	0KQ512			D				SCREW; 10 PCS	20,40
0094	0D6128							VIS PA 4 FILETS XB20	116,70
0095	0D6127							ENTRETOISE SUPERIEURE PA XB20	6,72
0096	0KQ575							RING; 5 PCS	24,46
0S19	0D2754			D				LUG ASSY XBM20/30	27,30
0S20	0D6470							HEAD; NUE XBE-XBB20/30	907,00
0S21	0D1699							BUSH	34,61
0S22	0D2755		S					CROWN; ASSY; XBM20/30 6 SCREWS ON THE PI	162,40
0S24	0D2758		S					SUN GEAR SHAFT ASSY; XBM20/30	261,90
0S25	0D2757		S					TOOL HOLDER SHAFT; ASSY XBM20/30	101,40
0S26	0D2750							SLEEVE ASSY XBM20/30	161,40
0S27	0D2752							ACCSSRY SOCKT SHAFT ASSY XBM20/30	96,83
0S28	0D2751							ACCSSRY SOCKT ASSY XBM20/30	326,80

Vue éclatée Roulettes (optionnel) / Exploded view Castors (optional) / Explosionszeichnung Rollen (Sonderzubehör) / Esploso Rotelle (opzionale) / Despiece Ruedas (opcional) _



?????? 601856

?????? SPXBM2030 ???????? 18 Exploded view Castors (optional)

.		Alias		S		.		(Euro)
0201	0D5391				D		AXIS; W/PEDALE; XB40	154,30
0202	0D5394				D		SUPPORT; LH; XB40	99,27
0203	0D0551						SCREW; 10 PCS	20,71
0204	0D1659						NUT; 10 PCS	18,37
0205	0D0619						WASHER; 10 PCS	19,11
0206	0D5395				D		SUPPORT; REAR; XB40	102,50
0207	0KQ512				D		SCREW; 10 PCS	20,40
0208	0D0533						WASHER; 10 PCS	23,65
0209	0D0641						LOCKNUT OF 8	18,69
0210	0D0642						NUT; 10 PCS	19,85
0211	0D5357				D		WHEEL; W/SPACER; 3 PCS	66,79
0212	0D0599						SCREW; 10 PCS	21,92
0213	0D5396				D		PLAQUE; REAR; XB40	117,70
0214	0D1660			S	D		SCREW; 10 PCS; 8*25	21,01
0215	0D5397				D		AXIS; REAR; XB40	50,75
0216	0D5392				D		ARM; XB40	72,17
0217	0D5393				D		SUPPORT; RH; XB40	99,27