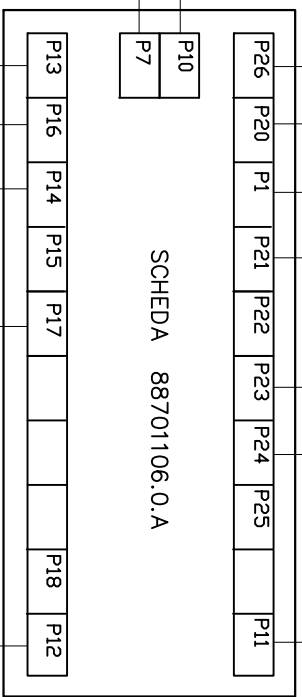


OPTIONAL

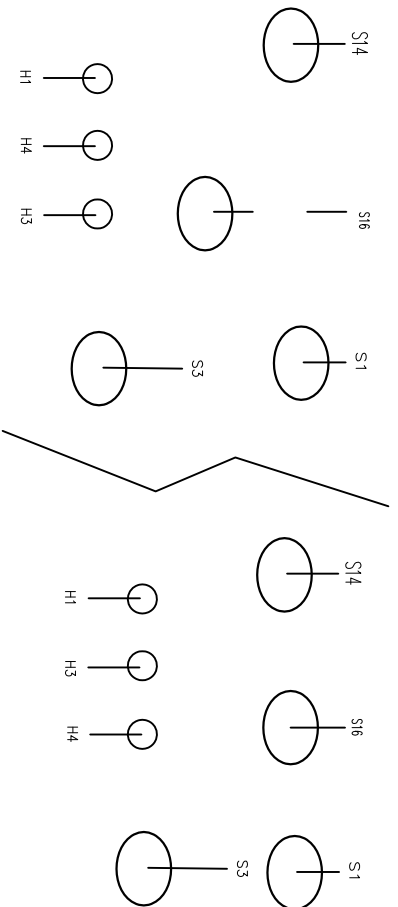
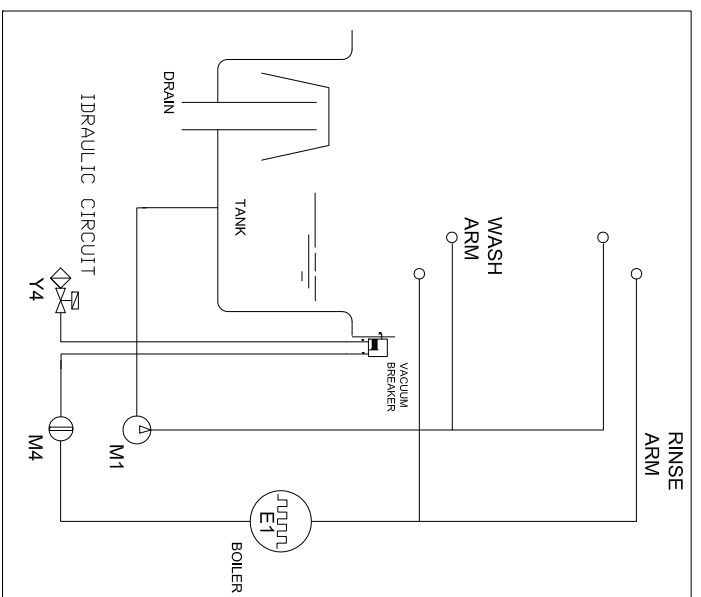
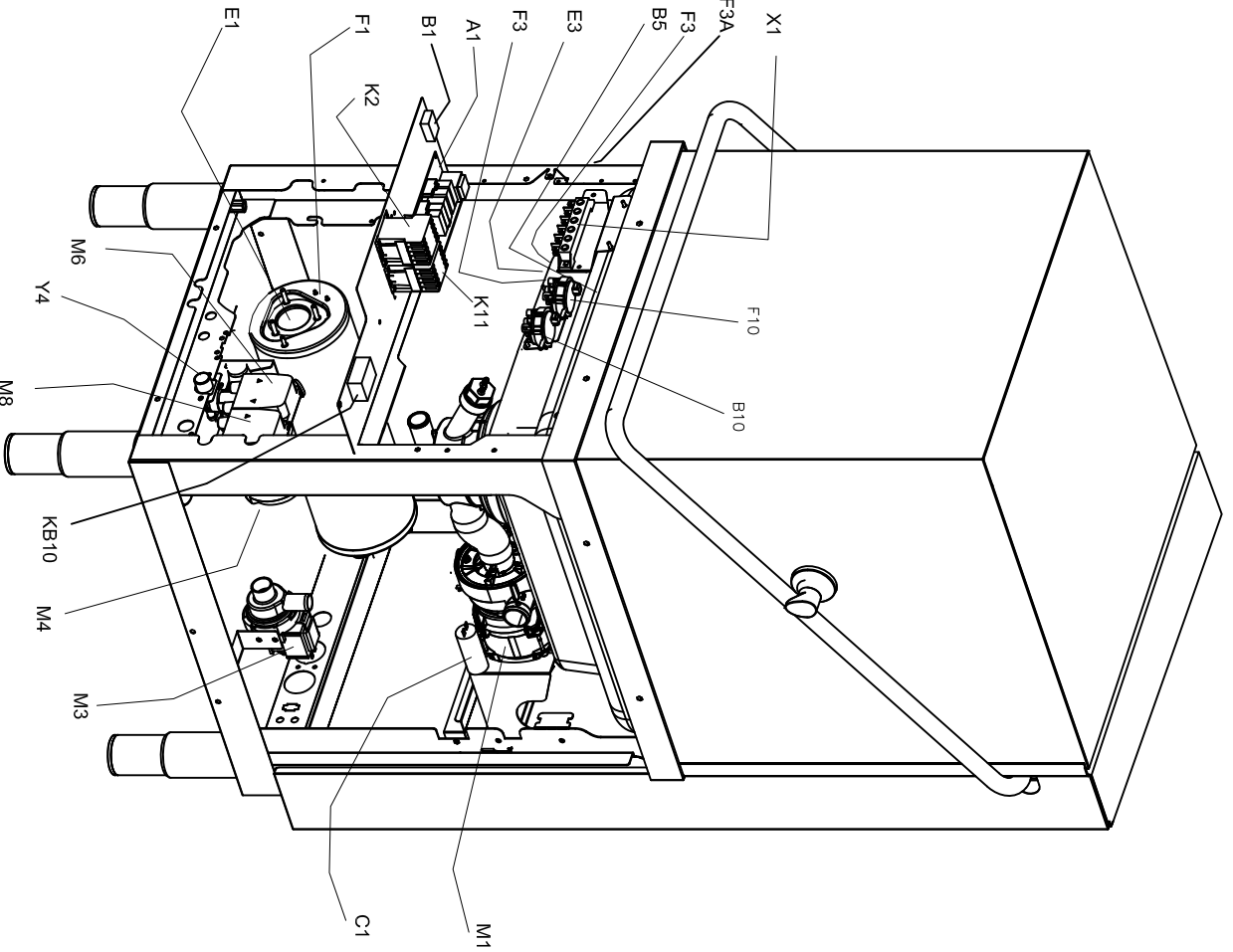
A= DRAIN PUMP
 B= REGENERATION
 C= DETERGENT
 D= RINSE PUMP
 E= RINSE AID PUMP

SCHEDA 88701106.0.A



| | | | |
|--------------|-------|------------------------|---------|
| Code Machine | ----- | WIRING DIAGRAM | Code |
| Re-examined | DATE | LA 50 ELETTROMECCANICA | 81722 |
| Inspected by | date | Dishwashers | n°/file |
| validated by | date | Total BLOC | 81722 |
| | | N° BLOC | 1 |
| | | Next BLOC | -2- |

| | | |
|---|-------------|----------|
| DESCRIZIONE | SOSTITUISCE | DATA |
| -1- Modifica collegamento idratori | --- | 05/12/07 |
| -2- Modifica collegamento neutro res boiler | | |



DESCRIZIONE

SUSSTITUISCE

DATA

denominazione

re-examined date 07/02/12

inspected by date

validated by date

81722

WIRING DIAGRAM

81722

Codice

3

2

-3

Dishwashers

total Blatt

next Blatt

mod

