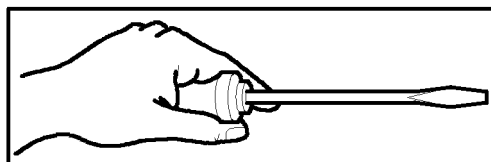
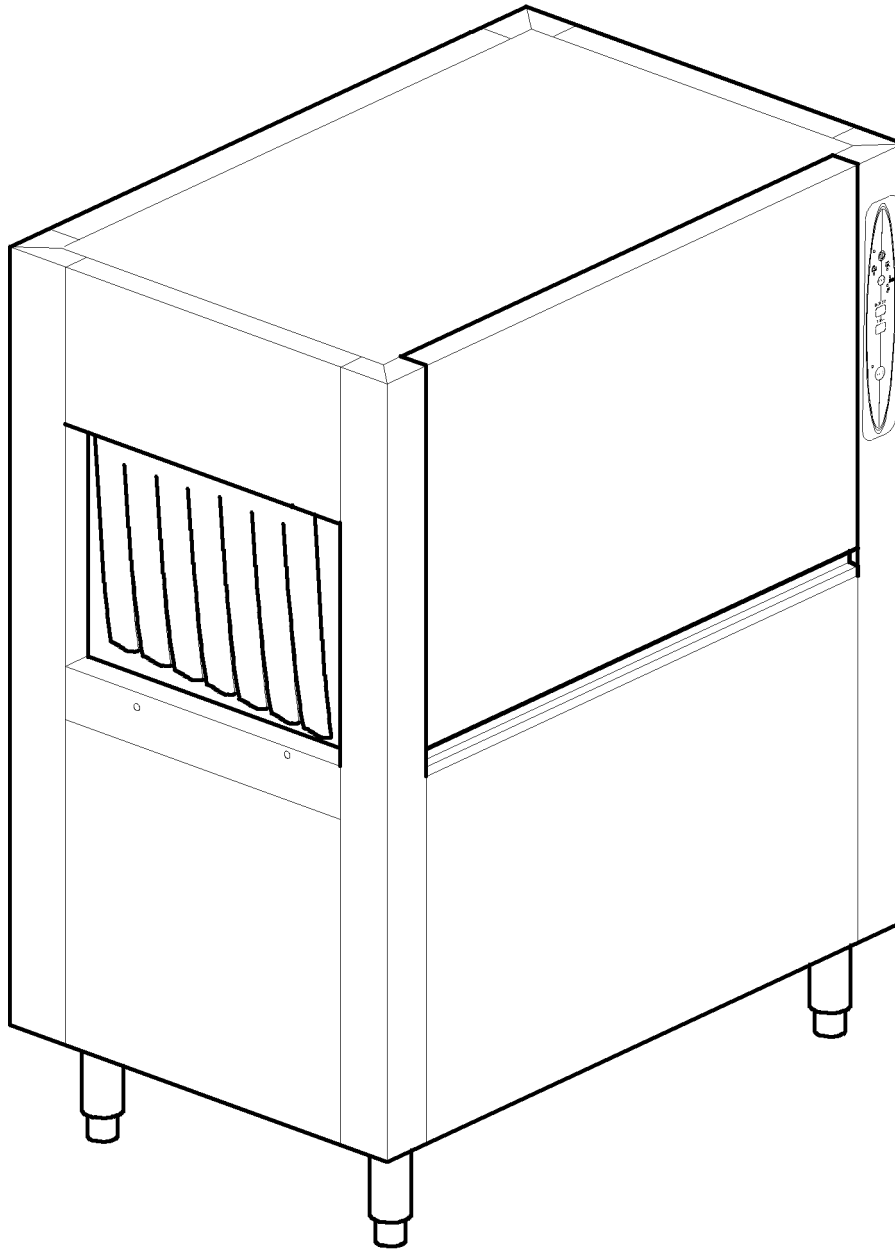
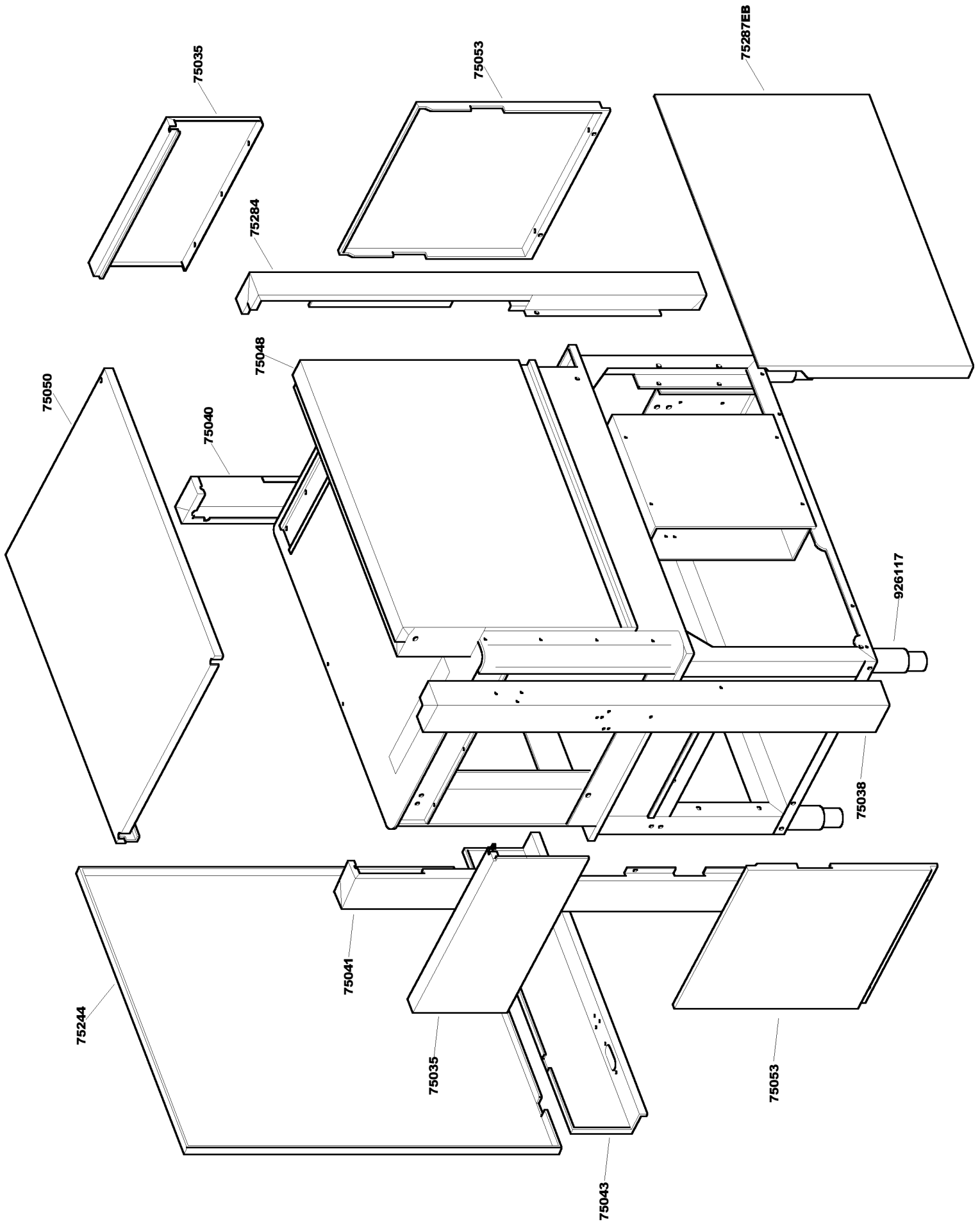
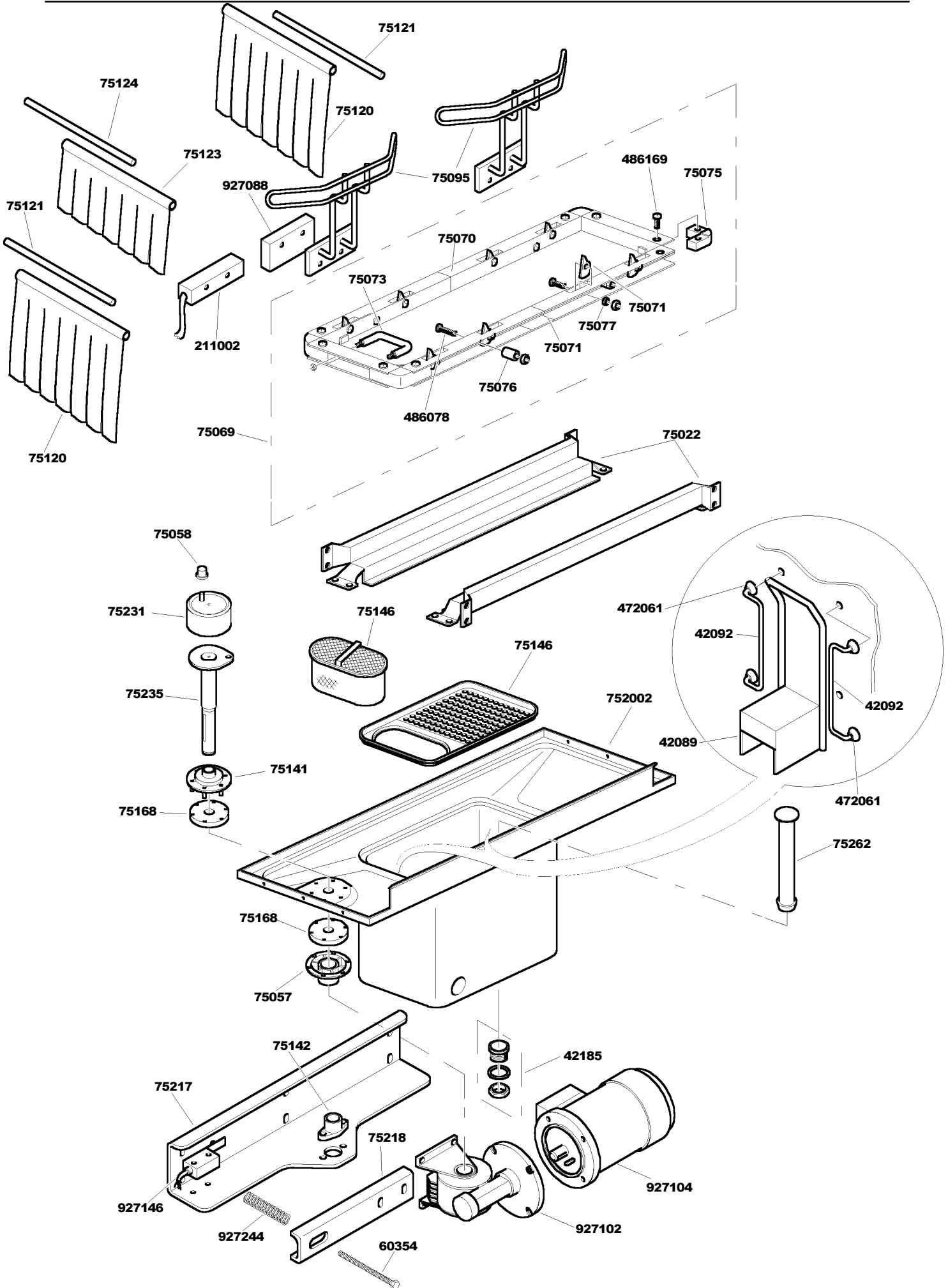


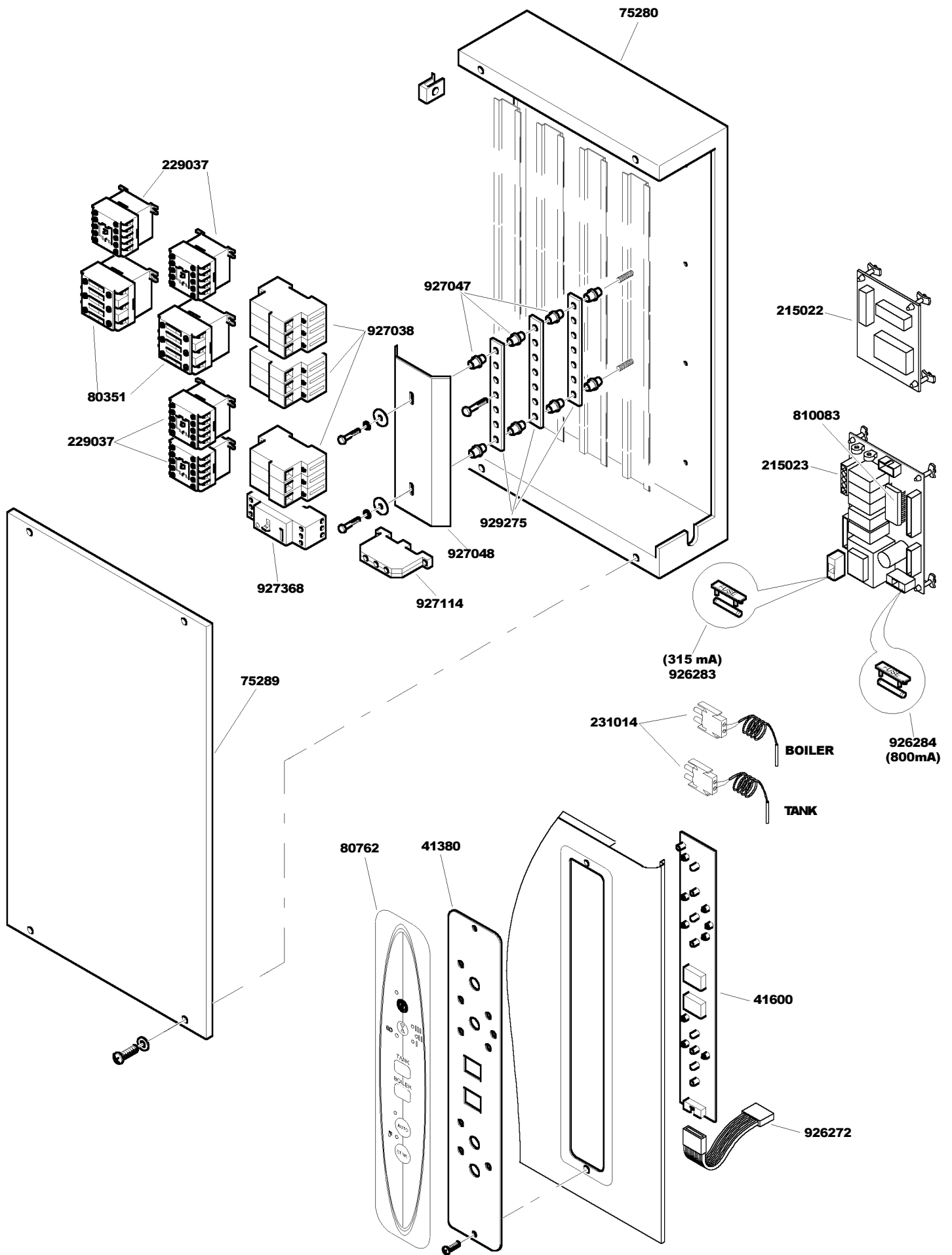
River

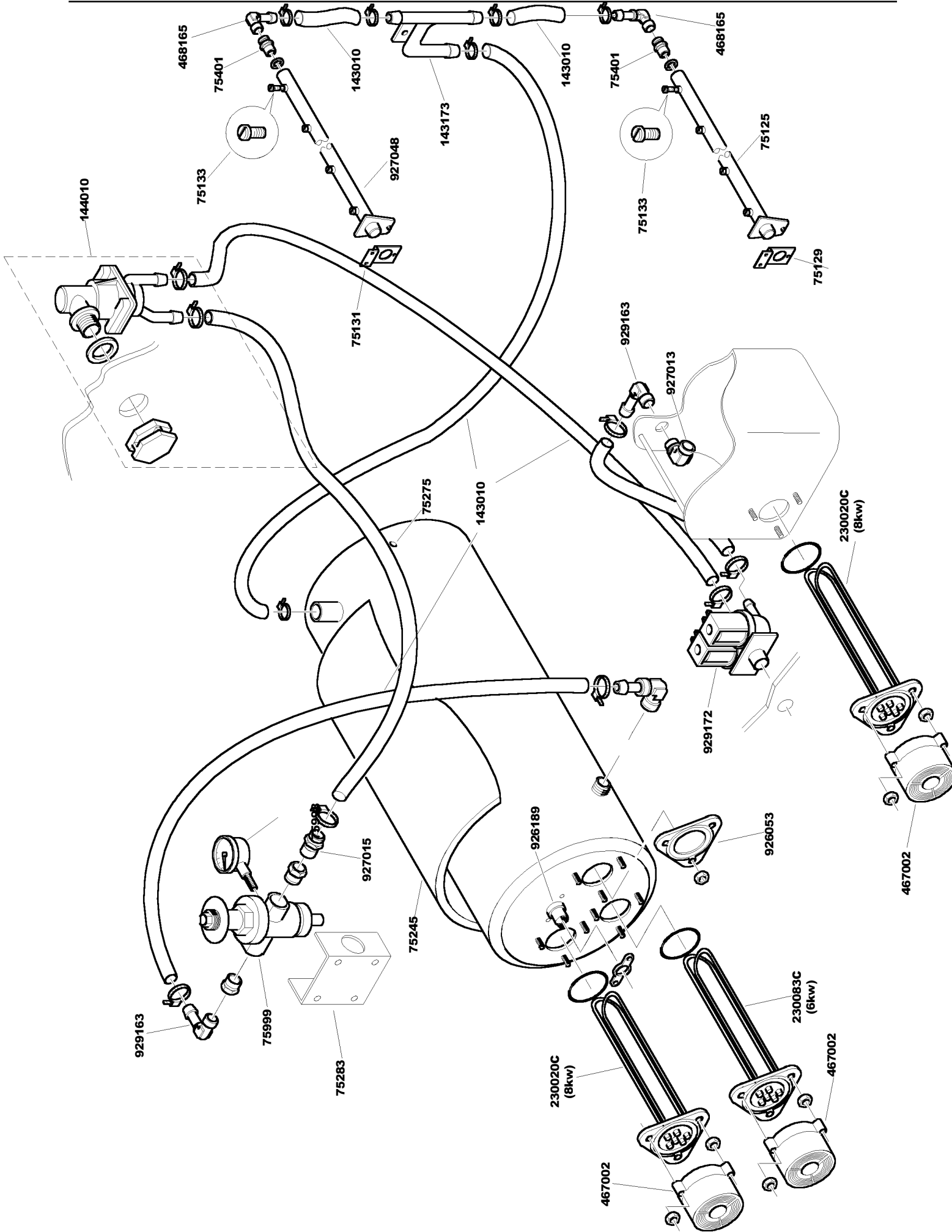
150

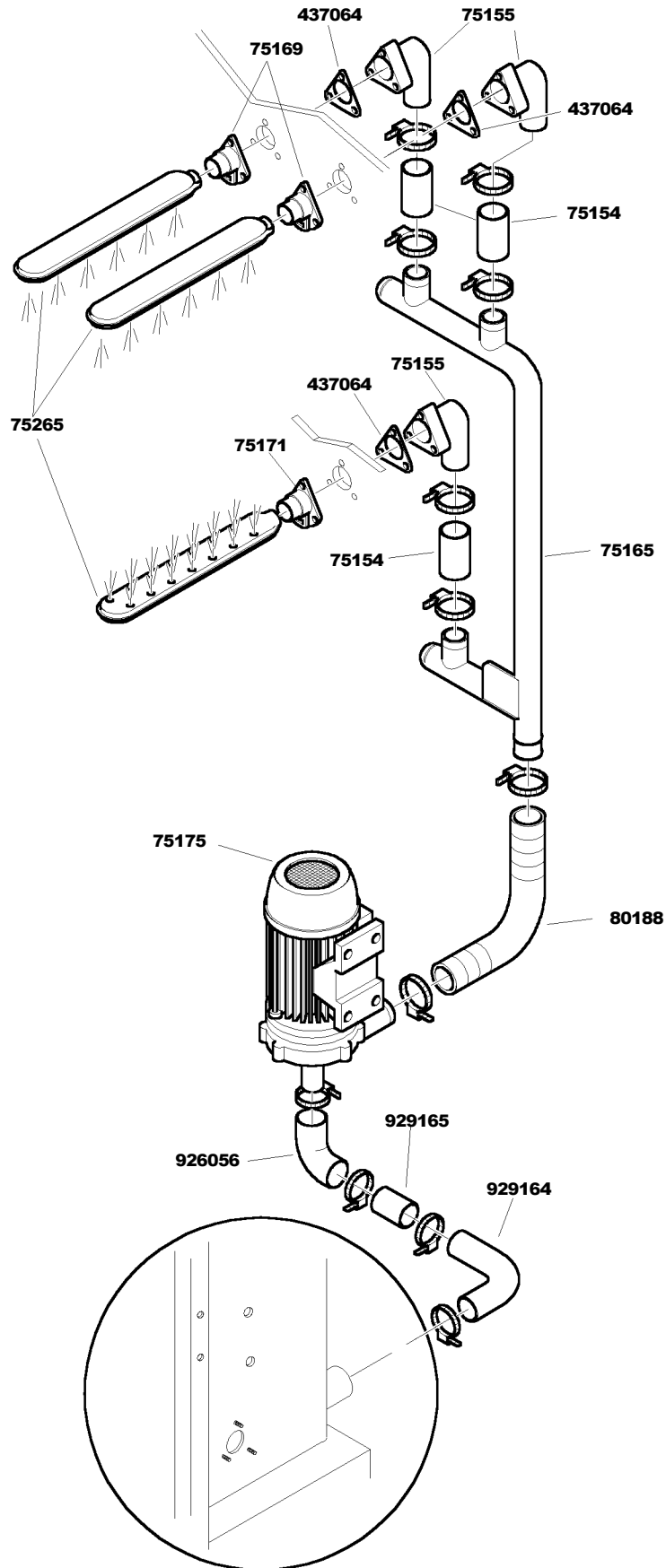


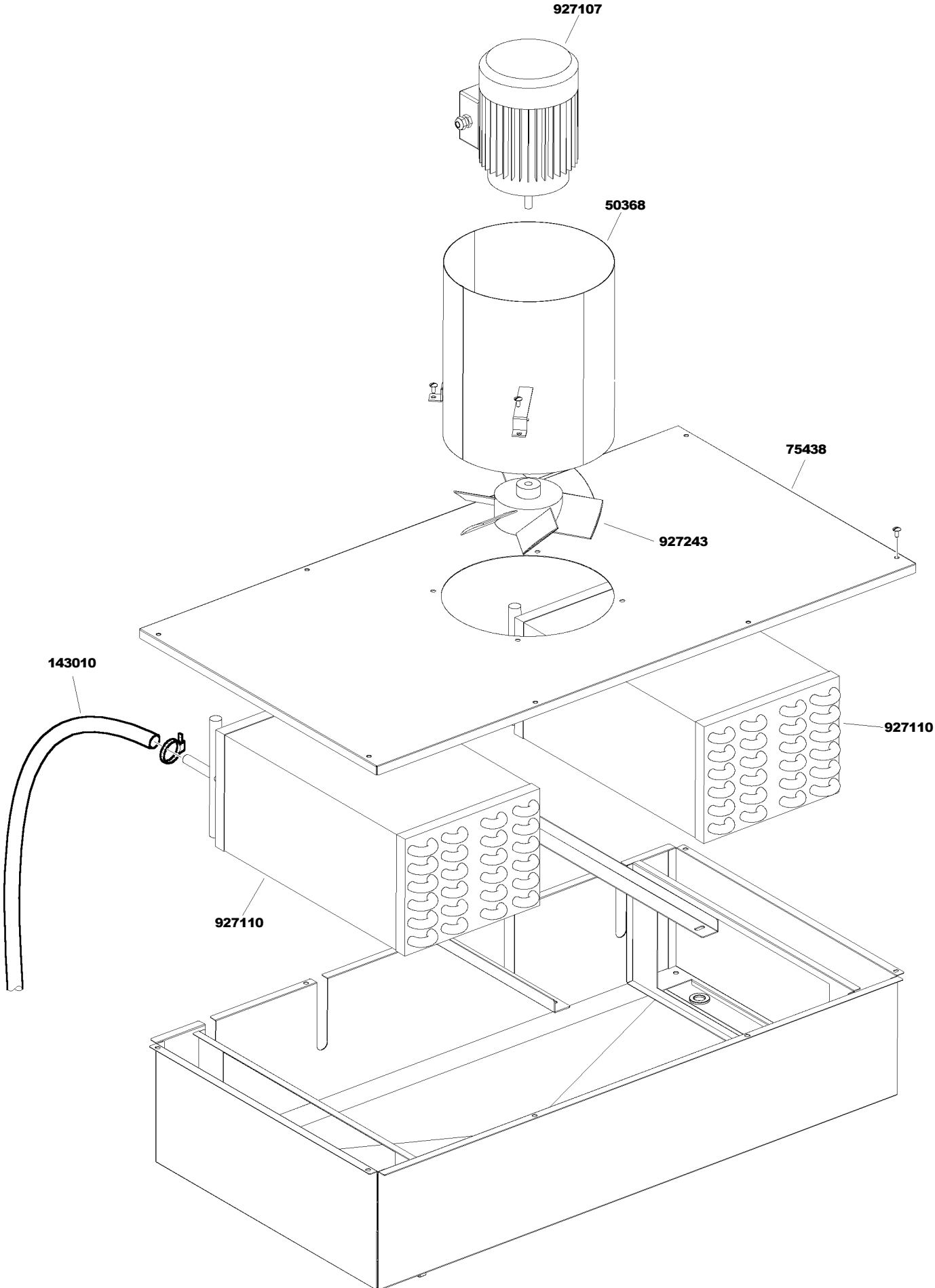


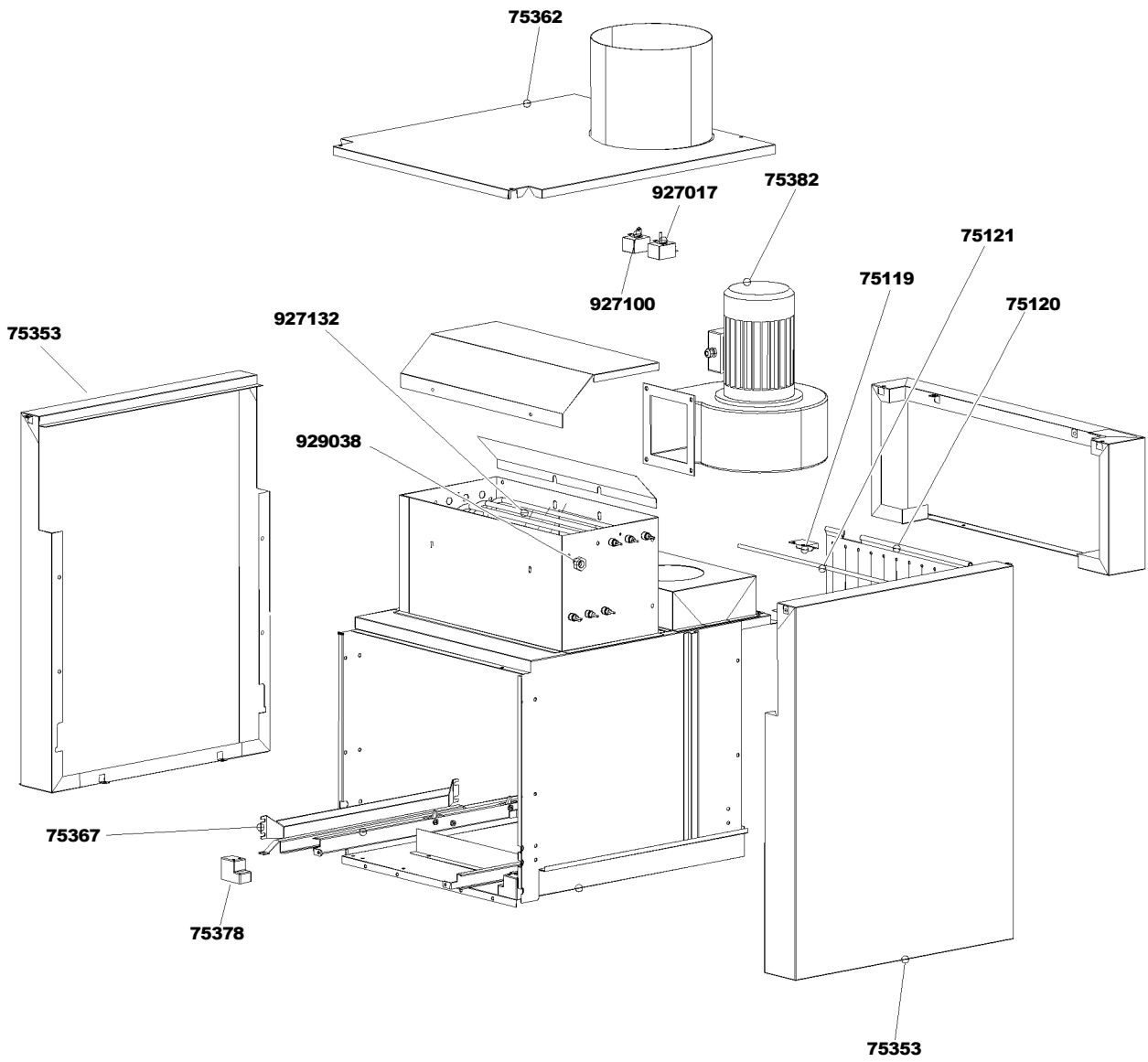


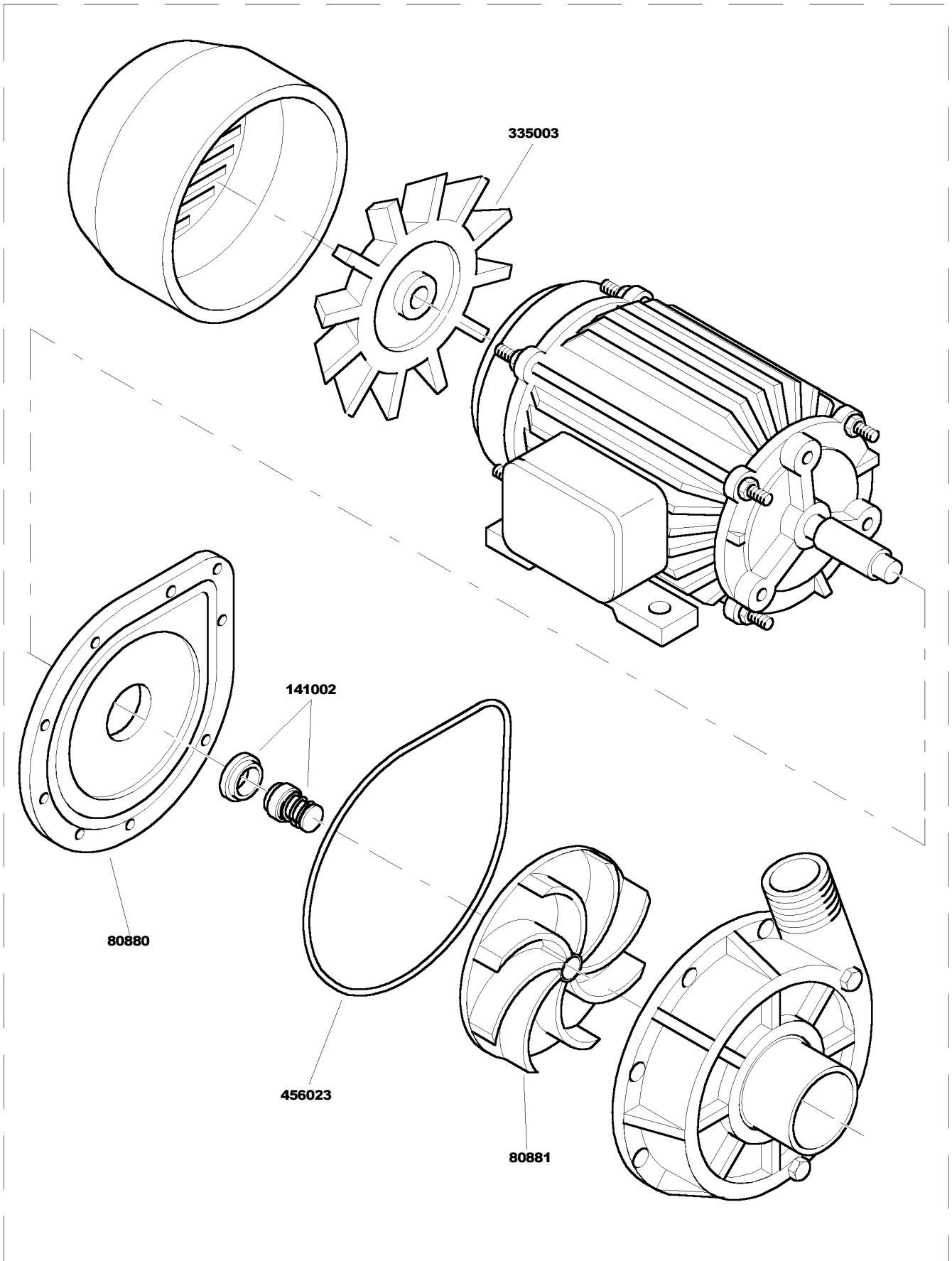












75175