



Ersatzteilliste – Spare part list

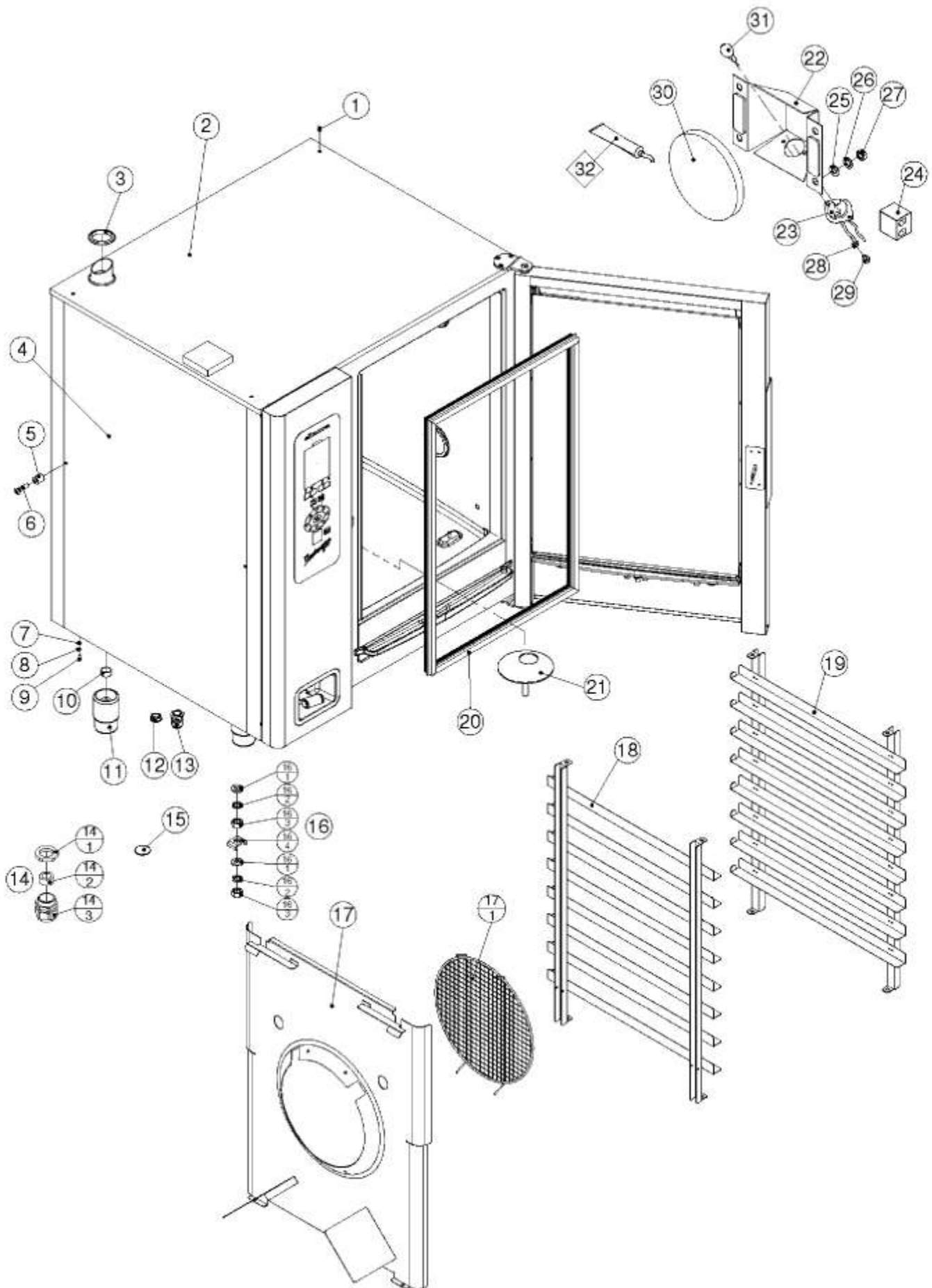
Backmaster EB 50 80 B+T Serie/09

Backmaster EB 50 80 B+T series/09

Inhaltsverzeichnis - Index of contents

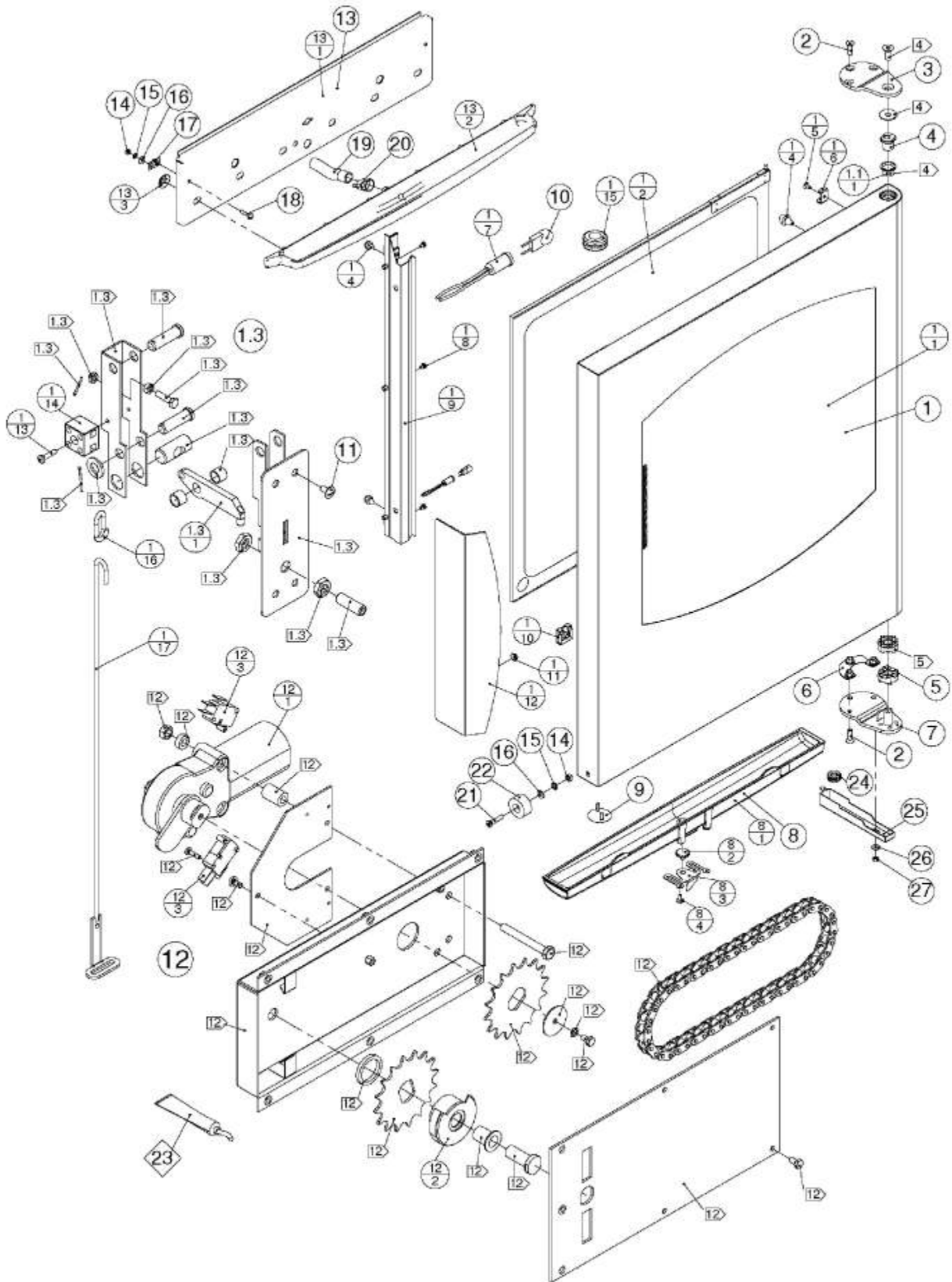
Montageteile lose EB 50 80 B+T Serie/09	Mounting parts, lighting EB 50 80 B+T	4
Tür, Türverschluss EB 50 80 B+T Serie/09	Door, door latch EB 50 80 B+T series/09	6
Bedienteil EB 50 80 B+T Serie/09	Control unit EB 50 80 B+T series/09	8
Motor, Heizung EB 50 80 B+T Serie/09	Motor, heating EB 50 80 B+T	10
Elektroblech Bedienteil EB 50 80 B+T Serie/09	Mounting plate control unit EB 50 80 B+T	12
Elektromontageplatte EB 50 80 B+T Serie/09	Switching device EB 50 80 B+T	14
E-Teile lose, Schlauchaufroller EB 50 80 B+T Serie/09	Electrical equipment, Tube roller EB 50 80 B+T	16
Zuluft	Supply air	18
Ablauf	Downspout	20
Ventile EB 50 80 B+T Serie/09	Valve support EB 50 80 B+T	22
Autoclean 1/1	Autoclean 1/1	24
KH 2 innen	KH 2 inside	26
KH 2 aussen	KH 2 outside	28
KH 2 innen Serie/11	KH 2 inside series/11	30
KH 2 aussen Serie/11	KH 2 outside series/11	32
Kabelbaum, Schaltplan, Hilfsmittel EB 50 80 B+T Serie/09	Cable harness, connection diagramm, support EB 50 80 B+T	34

Montageteile lose EB 50 80 B+T Serie/09 - Mounting parts, lighting EB 50 80 B+T



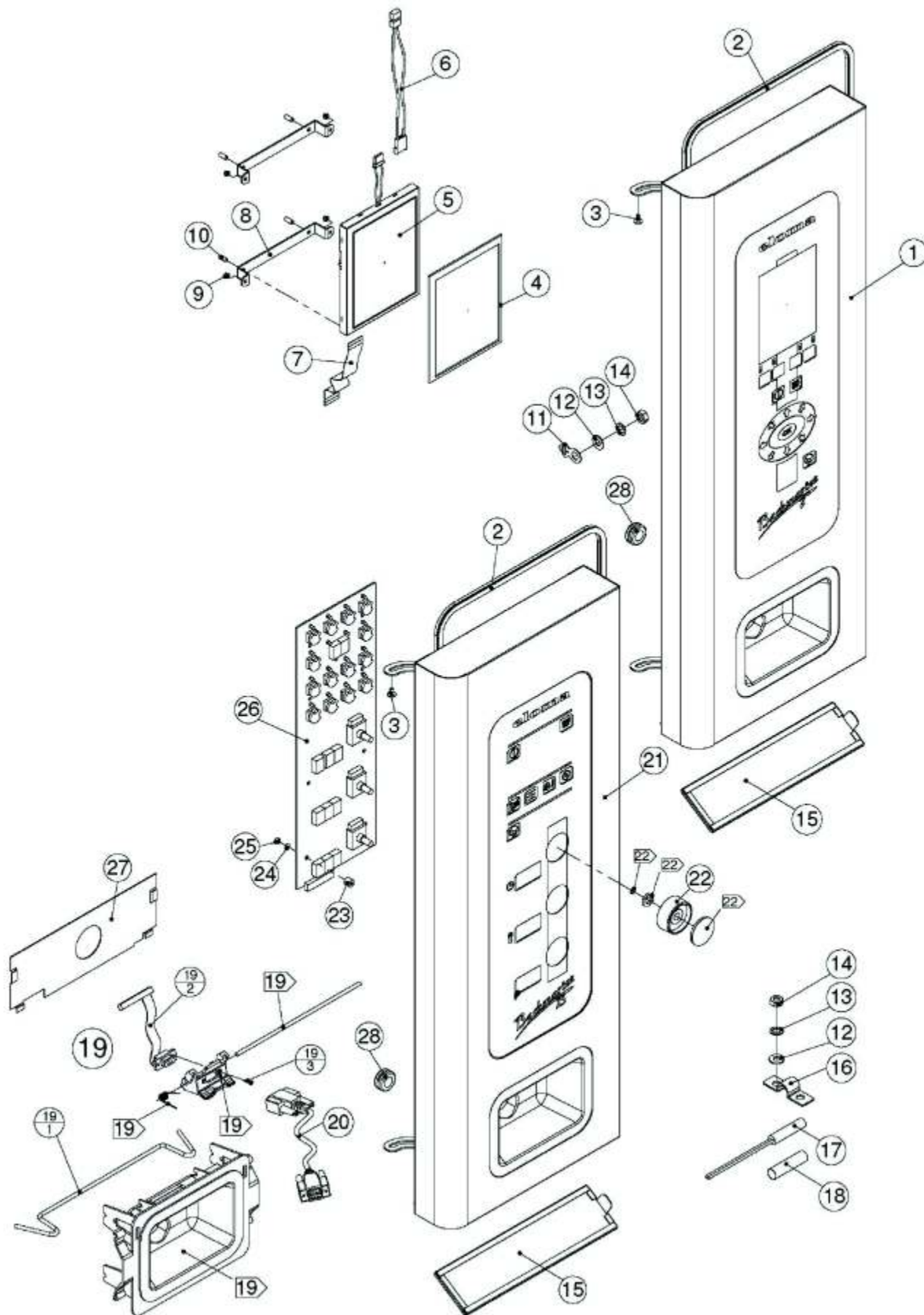
Backmaster EB 50 80 B+T Serie/09 - Backmaster EB 50 80 B+T series/09

1	EL0039411	Linsensensschraube DIN 966 M4x12 V2A	Raised countersunk DIN 966 M4x12 V2A
2	EL0741604	Gehäusedeckel d2k 611 1011 RA	Case cover d2k 611 1011 RA
2	EL0740942	Gehäusedeckel d2k 611 1011 LA	Case cover d2k 611 1011 LA
3	EL0584096	Dichtung Abluftrohr	Gasket drain
4	EL0741159	Seitendeckel d2k 611	Side panel d2k 611
4	EL0741655	Seitendeckel d2k 1011	Side panel d2k 1011
5	EL0502592	Distanzhülse M4x9mm selbsthaftend	Distance bush
6	EL0000310	Linsensensschraube DIN 966 M4x16 V2A	Raised countersunk DIN 966 M4x16 V2A
7	EL0001007	Scheibe DIN 125 A4,3 V2A	Washer DIN 125 A43 V2A
8	EL0050849	Zahnscheibe DIN 6797 J4,3 V2A	Lock washer DIN 6797 J43 V2A
9	EL0068217	Sechskantschraube DIN 933 M4x10 V2A	Hexagon head screw DIN 933 M4x10 V2A
10	EL0744832	Distanzhülse Verstellfuss	Distance bush foot adjustable
11	EL0744824	Verstellfuss rund 611 1011	Foot 611 1011
12	EL0581194	Verschlusskappe	Cap
13	EL0580465	Verschraubung PG 16 mit Gegenmutter	Connection PG 16 with lock nut
14	EL0504723	PG 29 (ET)	PG 29 (ET)
14.1	EL0758175	Gegenmutter für Verschraubung PG 29	Lock nut PG 29
14.2	EL0758558	Dichtgummi für Verschraubung PG 29	Sealing PG 29
14.3	EL0752320	Verschraubung PG 29	Connection PG 29
15	EL0758566	Blindscheibe für Verschraubung PG	Blind washer PG
16	EL0527661	Klemmbügel M6 (ET)	Clamp strap M6 (ET)
16.1	EL0004014	Scheibe DIN 125 A6,4 V2A	Washer DIN 125 A64 V2A
16.2	EL0892912	Zahnscheibe DIN 6797 J6,4 V2A	Lock washer DIN 6797 J64 V2A
16.3	EL0251887	Sechskantmutter DIN 934 M6 V2A	Hexagon nut DIN 934 M6 V2A
16.4	EL0223697	Klemmbügel M6	Clamp strap M6
17	EL0503635	Luftleitblech kpl. EB 50 Serie/09	Air deflector sheet cpl. EB 50 10
17	EL0503634	Luftleitblech kpl. EB 80 Serie/09	Air deflector sheet cpl. EB 80 10
17.1	EL0148652	Schutzgitter 1011	Protective grid 1011
18	EL0504189	Einhängegestell 611 EB 50 links Backmass	Hanging rack 611 EB 50 left 400x600
18	EL0503365	Einhängegestell KPL 1011 EB links Backmass	Hanging rack 1011 EB left 400x600
19	EL0504188	Einhängegestell 611 EB 50 rechts Backmass	Hanging rack 611 EB 50 right 400x600
19	EL0503364	Einhängegestell KPL 1011 EB rechts Backmass	Hanging rack 1011 EB right 400x600
20	EL0742368	Türdichtung Silikonrahmen d2k 611	Door sealing frame silicone d2k 611
20	EL0742376	Türdichtung Silikonrahmen d2k 1011	Door sealing frame silicone d2k 1011
21	EL0502788	Ablaufscheibe mit Bolzen EB 50 80	Flap exhaust air EB 50 80
22	EL0504705	VBG Lampenhalter EB 50 80 611 1011 (ET)	Assembly lamp bracket EB 50 80 0611 1011 (ET)
23	EL0577294	Halogenfassung mit Flansch	Halogen lamp socket
24	EL0658235	Leuchtenklemme 15 A 2-polig	Clamp lamp 15 A 2pin
25	EL0003980	Scheibe DIN 125 A5,3 V2A	Washer DIN 125 A53 V2A
26	EL0304816	Zahnscheibe DIN 6797 J5,3 V2A	Lock washer DIN 6797 J53 V2A
27	EL0553727	Sechskantmutter DIN 934 M5 Messing	Hexagon nut DIN 934 M5 brass
28	EL0050822	Zahnscheibe DIN 6797 J3,2 V2A	Lock washer DIN 6797 J32 V2A
29	EL0003913	Linsenschraube DIN 7985 M3x5 V2A	Lens head screw DIN 7985 M3x5 V2A
30	EL0747521	Glasscheibe Beleuchtung sandgestrahlt	Glass lid
31	EL0570478	Halogenlampe 12V 20W	Halogen lamp 12V 20W
32	EL0872849	Silikonkleber Novasil S25 Kartusche 80 ml	Silicone adhesive Novasil S25 cartridge 80ml



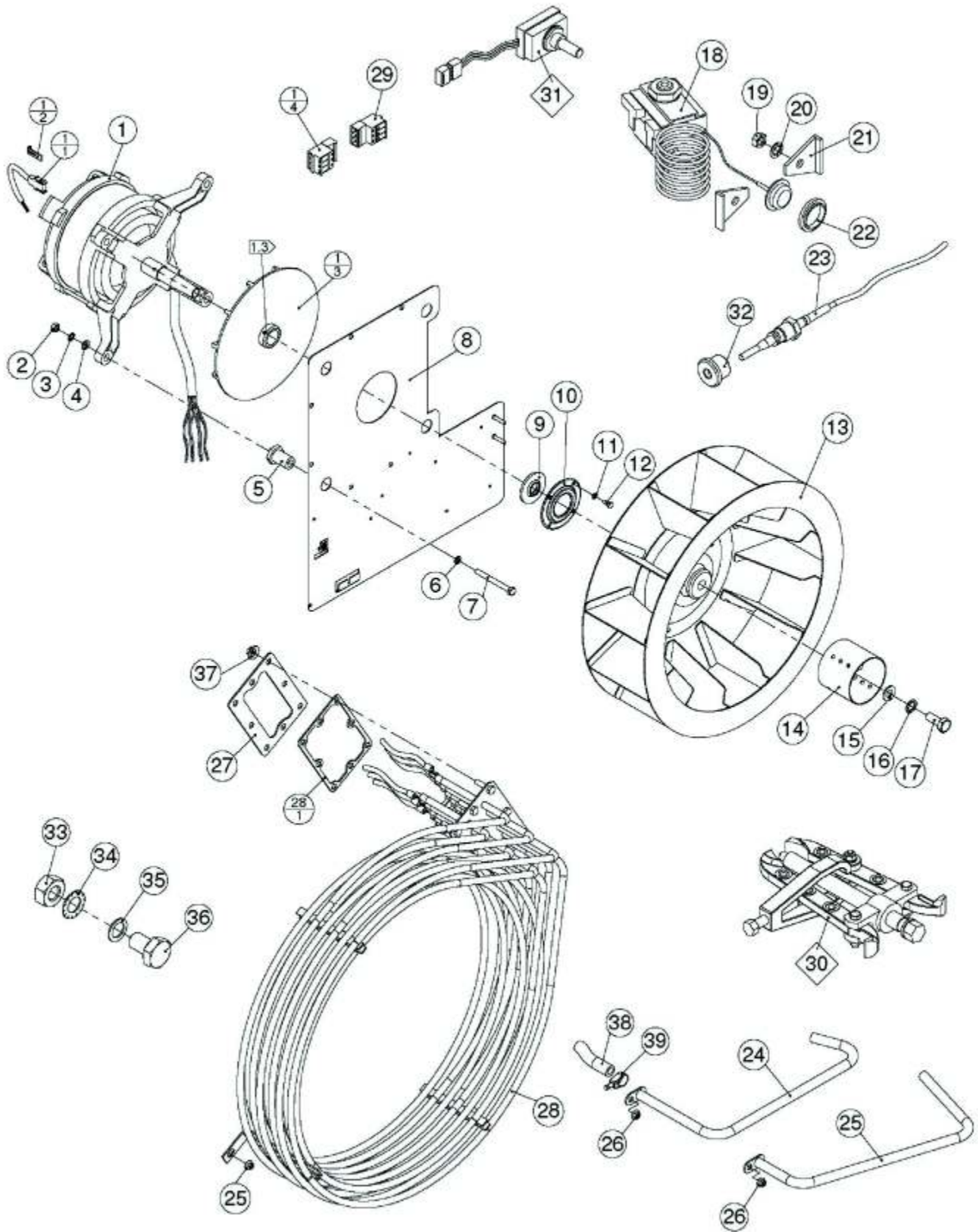
Backmaster EB 50 80 B+T Serie/09 - Backmaster EB 50 80 B+T series/09

1	EL0503521	Tür mont. EB 50 RA Serie/09	Door mounted EB 50 RA serial/09
1	EL0503523	Tür mont. EB 50 LA Serie/09	Door mounted EB 50 LA serial/09
1	EL0503519	Tür mont. EB 80 RA Serie/09	Door mounted EB 80 RA serial/09
1	EL0503522	Tür mont. EB 80 LA Serie/09	Door mounted EB 80 LA serial/09
1.1	EL0503531	Aussentür kpl. EB 50 RA Serie/09	Exterior door cpl. EB 50 RA serial/09
1.1	EL0503534	Aussentür kpl. EB 50 LA Serie/09	Exterior door cpl. EB 50 LA serial/09
1.1	EL0503529	Aussentür kpl. EB 80 RA Serie/09	Exterior door cpl. EB 80 RA serial/09
1.1	EL0503532	Aussentür kpl. EB 80 LA Serie/09	Exterior door cpl. EB 80 LA serial/09
1.1.1	EL0752061	Bundbuchse	Collar bush
1.2	EL0502688	Innentür kpl. EB 50 Serie/09	Inner door cpl. EB 50 serial/09
1.2	EL0502689	Innentür kpl. EB 80 Serie/09	Inner door cpl. EB 80 serial/09
1.3	EL0504574	Türverschluss mont EB Serie/09 Türseite	Lock nut EB 50 80 serial/09 door side
1.3.1	EL0503178	Verschlusshaken EB 50 80 bj09	Locking hook EB 50 80 serial/09
1.4	EL0886726	Gummipuffer	Rubber
1.5	EL0525316	Becherschraube M4x8 V2A	Cup screw M4x8 V2A
1.6	EL0887501	Haltewinkel Tür montiert Serie/06	Angle bracket door serial/06
1.7	EL0502767	Halogenlampenfassung G 4	Halogen lamp socket G 4
1.8	EL0174084	Linsenschraube DIN 7985 M4x6 V2A	Lens head screw DIN 7985 M4x6 V2A
1.9	EL0504198	Reflektor EB 80 RA	Reflector EB 80 RA
1.9	EL0503508	Reflektor EB 80 LA	Reflector EB 80 LA
1.9	EL0503551	Reflektor EB 50 RA	Reflector EB 50 RA
1.9	EL0503514	Reflektor EB 50 LA	Reflector EB 50 LA
1.10	EL0373222	Steckmutter M4 selbstsichernd V2A	Nut self-locking M4 V2A
1.11	EL0553395	Scheibenmutter M4 V2A	Disk nut M4 V2A
1.12	EL0503463	Griffbogen EB Serie/09	Handle EB serial/09
1.13	EL0977810	Linsenschraube DIN 7985 M4x8 V2A	Lens head screw DIN 7985 M4x8 V2A
1.14	EL0504208	Leuchtenklemme 15 A 2-polig mit Loch	Clamp lamp 15 A 2-poles
1.15	EL0045438	Membrantülle	Spout
1.17	EL0503971	Zughaken EB 50	Drawbar EB 50
1.17	EL0503972	Zughaken EB 80	Drawbar EB 80
2	EL0741175	Senkschraube DIN 7991 M6x20 V2A	Countersunk screw DIN 7991 M6x20 V2A
3	EL0741167	Türlager d2k 611 1011	Bearing door d2k 611 1011
4	EL0504706	Montageteile Türscharnier EB 50 80 611 1011 (ET)	Mounting parts hinge EB 50 80 0611 1011 (ET)
5	EL0504697	Rastscheibe (2x) (ET)	Ratchet disk (2x) (ET)
6	EL0752096	Mutterhalter kpl. d2k 611 1011 RA	Nut support d2k 611 1011 RA
6	EL0752118	Mutterhalter kpl. d2k 611 1011 LA	Nut support d2k 611 1011 LA
7	EL0504326	Türlager kpl. unten EB 50 80	Bearing door down EB 50 80
8	EL0783331	Abtropfrinne mont. d2k 611 1011	Flume mounted d2k 611 1011
8.1	EL0781215	Abtropfrinne Tür d2k 611 1011	Flume door d2k 611 1011
8.2	EL0781177	Dichtstopfen Abtropfrinne	Sealing plug dripping
8.3	EL0781185	Feder Abtropfrinne	Spring downspout
8.4	EL0783463	PT Schraube	PT screw
9	EL0505207	Abdeckkappe	Cover cap
10	EL0570478	Halogenlampe 12V 20W	Halogen lamp 12V 20W
11	EL0525316	Becherschraube M4x8 V2A	Cup screw M4x8 V2A
12	EL0503159	Schlosskasten mont. EB RA Serie/09	Case catch mounted EB RA serial/09
12	EL0504765	Schlosskasten mont. EB LA Serie/09	Case catch mounted EB LA serial/09
12.1	EL0503171	Getriebemotor mont. EB Serie/09	Gear motor EB serial/09
12.2	EL0503164	Riegelscheibe Schlosskasten EB Serie/09	Locking device EB serial/09
13	EL0781614	Frontdeckel mont. 611 1011	Front cover monted 611 1011
13.1	EL0781606	Frontdeckel 611 1011	Front cover 611 1011
13.2	EL0781193	Ablaufrinne d2k 611 1011	Drain trench d2k 611 1011
13.3	EL0781649	Klemmscheibe	Connection plate
14	EL0003905	Sechskantmutter DIN 934 M4 V2A	Hexagon nut DIN 934 M4 V2A
15	EL0050849	Zahnscheibe DIN 6797 J4,3 V2A	Lock washer DIN 6797 J43 V2A
16	EL0026999	Scheibe DIN 9021 4,3 V2A	Washer DIN 9021 43 V2A
17	EL0761095	Halteblech Bankettsystem	Support plate banquet system
18	EL0761168	Becherschraube M4x20 V2A	Cup screw M4x20 V2A
19	EL0506222	Silikonschlauch D11x3 transparent	Hose silicone D11x3 transparent
20	EL0276634	Schlauchschele Spannbereich 14-19	Hose clamp 14-19
21	EL0014125	Senkschraube DIN 965 M4x20 V2A	Countersunk screw DIN 965 M4x20 V2A
22	EL0372994	Magnet Türendschalter	Magnet red cap
23	EL0106577	Silikonfett	Silicone grease
24	EL0553441	Gummitülle DG 9	Rubber bushing DG 9
25	EL0504325	Kabelabdeckung EB 50 80 Serie/09	Covering cable EB 50 80 serial/09
26	EL0026999	Scheibe DIN 9021 4,3 V2A	Washer DIN 9021 43 V2A
27	EL0195448	Hutmutter DIN 917 M4 V2A	Cap nut DIN 917 M4 V2A



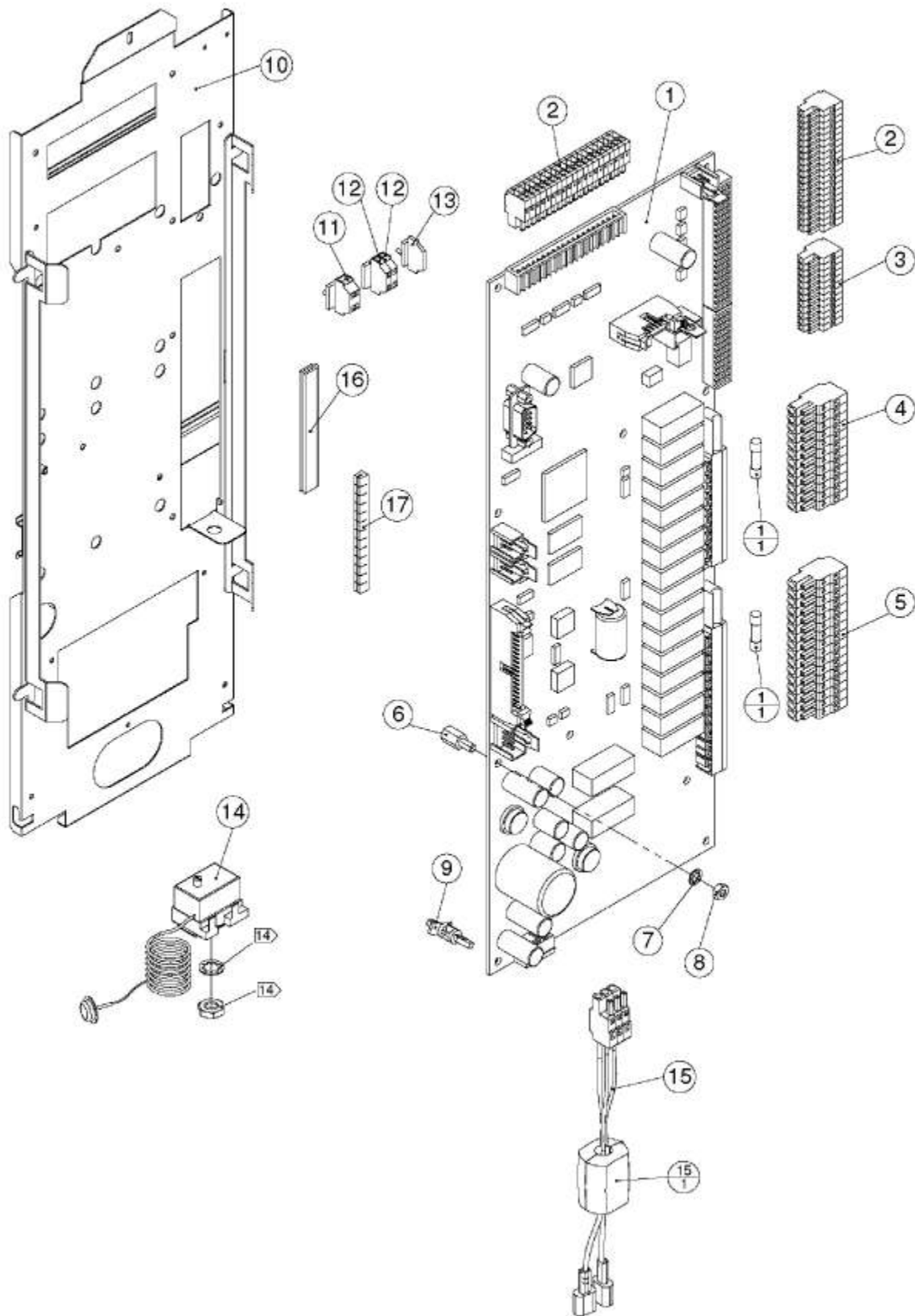
Backmaster EB 50 80 B+T Serie/09 - Backmaster EB 50 80 B+T series/09

1	EL0503563	Blende kpl. EB 50 T RA rot Serie/09	Operating panel EB 50 T RA serial/09 red
1	EL0503565	Blende kpl. EB 50 T LA rot Serie/09	Operating panel EB 50 T LA serial/09 red
1	EL0503989	Blende kpl. EB 50 T RA rot Brause Serie/09	Operating panel EB 50 T RA serial/09 red shower
1	EL0503992	Blende kpl. EB 50 T LA rot Brause Serie/09	Operating panel EB 50 T LA serial/09 red shower
1	EL0503686	Blende kpl. EB 50 T RA silber Serie/09	Operating panel EB 50 T RA serial/09 silver
1	EL0503687	Blende kpl. EB 50 T LA silber Serie/09	Operating panel EB 50 T LA serial/09 silver
1	EL0503999	Blende kpl. EB 50 T RA silber Brause Serie/09	Operating panel EB 50 T RA serial/09 silver shower
1	EL0504001	Blende kpl. EB 50 T LA silber Brause Serie/09	Operating panel EB 50 T LA serial/09 silver shower
1	EL0503562	Blende kpl. EB 80 T RA rot Serie/09	Operating panel EB 80 T RA serial/09 red
1	EL0503564	Blende kpl. EB 80 T LA rot Serie/09	Operating panel EB 80 T LA serial/09 red
1	EL0503987	Blende kpl. EB 80 T RA rot Brause Serie/09	Operating panel EB 80 T RA serial/09 red shower
1	EL0503988	Blende kpl. EB 80 T LA rot Brause Serie/09	Operating panel EB 80 T LA serial/09 red shower
1	EL0503684	Blende kpl. EB 80 T RA silber Serie/09	Operating panel EB 80 T RA serial/09 silver
1	EL0503685	Blende kpl. EB 80 T LA silber Serie/09	Operating panel EB 80 T LA serial/09 silver
1	EL0503997	Blende kpl. EB 80 T RA silber Brause Serie/09	Operating panel EB 80 T RA serial/09 silver shower
1	EL0503998	Blende kpl. EB 80 T LA silber Brause Serie/09	Operating panel EB 80 T LA serial/09 silver shower
2	EL0742295	Dichtungsrahmen 611 EB 50	Sealing frame 611
2	EL0742309	Dichtungsrahmen 1011 EB 80	Sealing frame 1011
3	EL0525316	Becherschraube M4x8 V2A	Cup screw M4x8 V2A
4	EL0500534	Staubdichtung Bildschirm	Dust seal Display
5	EL0500642	Bildschirm 5,7"	Display 57"
6	EL0501007	Kabel Hintergrundbeleuchtung Bildschirm	Cable lighting display
7	EL0501008	Flachkabel 40 polig für Bildschirm	Flat cable 40-pole display
8	EL0502373	Haltebügel TFT Bildschirm	Holding bow TFT Display
9	EL0892807	Sicherungsmutter DIN 985 M2,5 V2A	Lock nut DIN 985 M2,5 V2A
10	EL0502387	Gewindestift DIN 915 M4x12 V2A	Threaded pin DIN 915 M4x12 V2A
11	EL0553182	Erdungszeichen für M4	Earth symbol M4
12	EL0001007	Scheibe DIN 125 A4,3 V2A	Washer DIN 125 A4,3 V2A
13	EL0050849	Zahnscheibe DIN 6797 J4,3 V2A	Lock washer DIN 6797 J4,3 V2A
14	EL0003905	Sechskantmutter DIN 934 M4 V2A	Hexagon nut DIN 934 M4 V2A
15	EL0747602	Filter Lüftungsschacht Serie/06	Filter ventilation well serial/06
16	EL0329525	Halbe Rohrschelle	Half clip
17	EL0581038	Magnetschalter	Control solenoid
18	EL0208094	Kabeltülle schwarz	Cable grommet
19	EL0500518	Griffmulde Schlauchbrause schwarz kpl.	Grip recess black
19.1	EL0500798	Spannbügel Griffmulde	Brace stirrup grip recess
19.2	EL0976512	Verbindungskabel HACCP RSFBK 9-POL 1100mm	Cable connection HACCP RSFBK 9-pol 1100mm
19.3	EL0786055	E-Jotschraube 2,5x10 mm	Screw 25x10 mm
20	EL0776696	Datenkabel PC HACCP 2m	Data line PC HACCP 2m
20	EL0898511	Datenkabel PC HACCP 5m	Data line PC HACCP 5m
21	EL0504008	Blende kpl. EB 50 B RA rot Brause Serie/09	Operating panel EB 50 B RA serial/09 red shower
21	EL0504011	Blende kpl. EB 50 B LA rot Brause Serie/09	Operating panel EB 50 B LA serial/09 red shower
21	EL0503567	Blende kpl. EB 50 B RA 09 rot ohne Brause	Operating panel EB 50 B RA 09 red without shower
21	EL0503571	Blende kpl. EB 50 B LA rot ohne Brause Serie/09	Operating panel EB 50 B LA serial/09 red without shower
21	EL0504014	Blende kpl. EB 50 B RA silber Brause Serie/09	Operating panel EB 50 B RA serial/09 silver shower
21	EL0504015	Blende kpl. EB 50 B LA silber Brause Serie/09	Operating panel EB 50 B LA serial/09 silver shower
21	EL0504045	Blende kpl. EB 50 B RA silber ohne Brause Serie/09	Operating panel EB 50 B RA serial/09 silver without shower
21	EL0504046	Blende kpl. EB 50 B LA silber ohne Brause Serie/09	Operating panel EB 50 B LA serial/09 silver without shower
21	EL0504006	Blende kpl. EB 80 B RA rot Brause Serie/09	Operating panel EB 80 B RA serial/09 red shower
21	EL0504007	Blende kpl. EB 80 B LA rot Brause Serie/09	Operating panel EB 80 B LA serial/09 red shower
21	EL0503566	Blende kpl. EB 80 B RA rot ohne Brause Serie/09	Operating panel EB 80 B RA serial/09 red without shower
21	EL0503569	Blende kpl. EB 80 B LA rot ohne Brause Serie/09	Operating panel EB 80 B LA serial/09 red without shower
21	EL0504012	Blende kpl. EB 80 B RA silber Brause Serie/09	Operating panel EB 80 B RA serial/09 silver shower
21	EL0504013	Blende kpl. EB 80 B LA silber Brause Serie/09	Operating panel EB 80 B LA serial/09 silver shower
21	EL0504043	Blende kpl. EB 80 B RA silber ohne Brause Serie/09	Operating panel EB 80 B RA serial/09 silver without shower
21	EL0504044	Blende kpl. EB 80 B LA silber ohne Brause Serie/09	Operating panel EB 80 B LA serial/09 silver without shower
22	EL0504707	Drehknopf D=48 grau (ET)	Rotary knob D=48 grey (ET)
23	EL0527556	Distanzbuchse 7mm	Spacer 7mm
24	EL0357189	Scheibe Pa 6,6 Di 3,2xDa 7x0,5	Washer PA 66 DI 32 X DA 7 X 06
25	EL0749842	Sicherungsmutter DIN 985 M3 V2A	Lock nut M3
26	EL0742465	Anzeigebaugruppe MA-KT MB	Ensemble of indicators MA-KT MB
27	EL0788244	Strömungsblech RA 611 1011 Serie/06	Deflector RA 611 1011 serial/06
28	EL0045438	Membrantülle	Spout



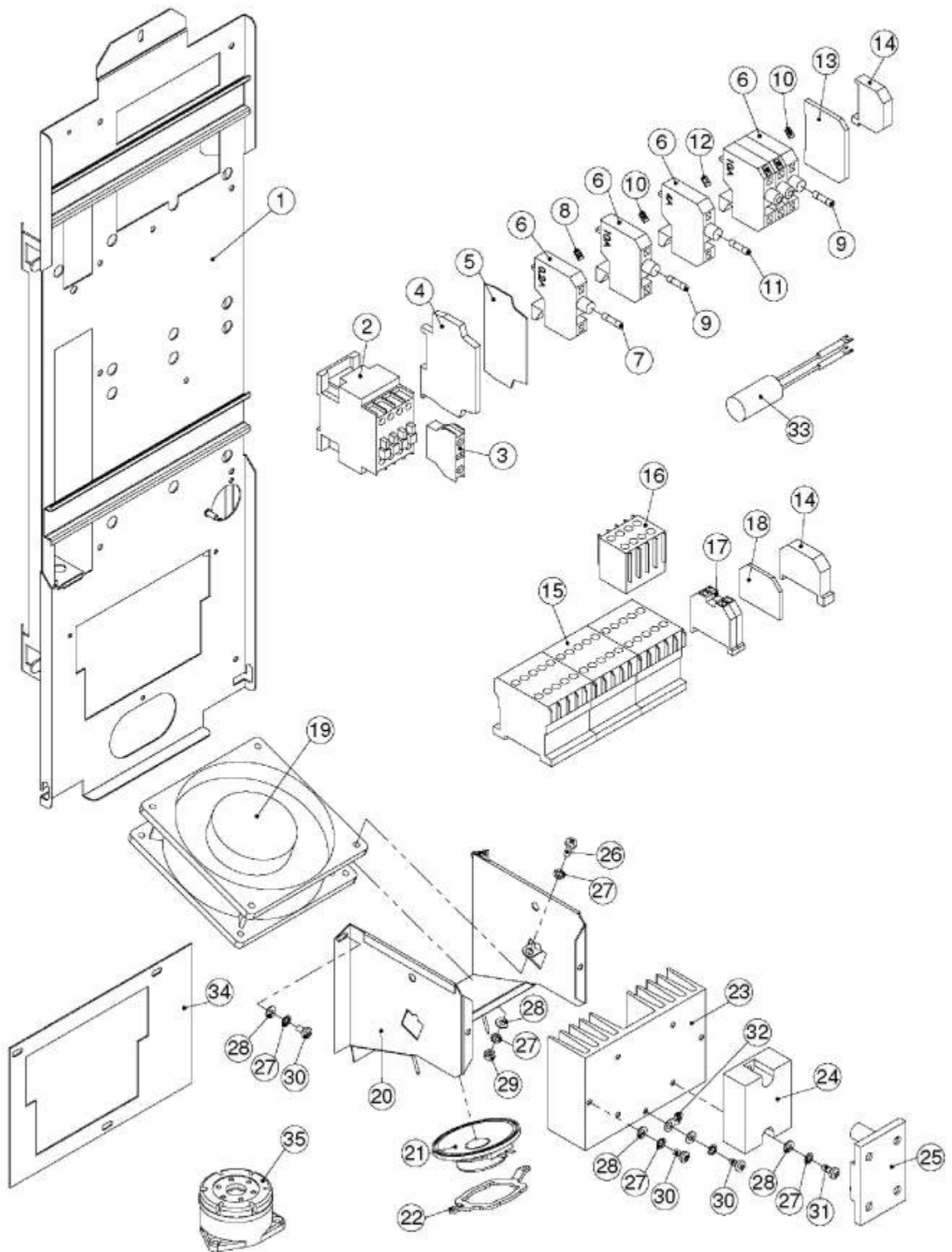
Backmaster EB 50 80 B+T Serie/09 - Backmaster EB 50 80 B+T series/09

1	EL0742740	Motor d2k 611 1011 2011	Motor d2k 611 1011 2011
1.1	EL0782939	Drehzahlsensor	Sensor redational speed
1.2	EL0899577	Klammer Drehzahlsensor	Cramp redational speed
1.3	EL0782947	Kühlrad Gebläsemotor	Cooling wheel for motor
1.4	EL0749281	Stecker 3-polig gerade	Plug 3-poles
2	EL0254177	Sechskantmutter DIN 934 M8 V2A	Hexagon nut DIN 934 M8 V2A
3	EL0012564	Fächerscheibe DIN 6798 A8,4 V2A	Serrated lock washer DIN 6798 A84 V2A
4	EL0001325	Scheibe DIN 125 A8,4 V2A	Washer DIN 125 A84 V2A
5	EL0743615	Motorabstandsbuchse M8	Motor spacer sleeve M8
6	EL0570826	Kupferdichtung 8x14x1	Copper gasket 8x14x1
7	EL0749389	Sechskantschraube DIN 933 M8x50 V2A	Hexagon head screw DIN 933 M8x50 V2A
8	EL0504207	Motorisolierblech kpl. EB 50 EB 80 RA	Motor isolating sheet cpl. EB 50 EB 80 RA
8	EL0504356	Motorisolierblech kpl. EB 50 EB 80 LA	Motor isolating sheet cpl. EB 50 EB 80 LA
9	EL0399442	Wellendichtring 17/16x41x3	Shaft sealing ring 17/16x41x3
10	EL0751448	Dichtungshalter 611 1011	Seal holder 611 1011
11	EL0050849	Zahnscheibe DIN 6797 J4,3 V2A	Lock washer DIN 6797 J43 V2A
12	EL0873470	Sechskantschraube DIN 933 M4x12 V2A	Hexagon head screw DIN 933 M4x12 V2A
13	EL0743372	Lüfterrad 350x110 d2k 611 1011 2011	Fan wheel 350x110 d2k 611 1011 2011
14	EL0382477	Verteilerhülse Lüfterrad 611 1011 2011	Dispersal casing 611 1011 2011
15	EL0012602	Scheibe DIN 125 A10,5 V2A	Washer DIN 125 A105 V2A
16	EL0349771	Fächerscheibe DIN 6798 A10 V2A	Serrated lock washer DIN 6798 A10 V2A
17	EL0749397	Sechskantschraube DIN 933 M10x25 V2A	Hexagon head screw DIN 933 M10x25 V2A
18	EL0503630	Sicherheitstemperaturbegrenzer 1-polig 305°	Safety temperature limiter 1-poles 305°
19	EL0252867	Sechskantmutter DIN 934 M5 V2A	Hexagon nut DIN 934 M5 V2A
20	EL0304816	Zahnscheibe DIN 6797 J5,3 V2A	Lock washer DIN 6797 J53 V2A
21	EL0287695	Halter Sicherheitstemperaturbegrenzer	Bracket safety temperature limiter
22	EL0373079	Zentrierbuchse STB	Centric bush STB
23	EL0503678	Thermoelement	Thermocouple
24	EL0506541	Wasserzulaufrohr RA	Water intake RA
25	EL0506542	Wasserzulaufrohr LA	Water intake LA
26	EL0752746	Scheibenmutter M5 V2A	Disk nut M5 V2A
27	EL0745553	Gegenflansch Heizkörper 611 Serie/06	Counter flange heating element 611 serial/06
27	EL0745561	Gegenflansch Heizkörper 1011 Serie/06	Counter flange heating element 1011 serial/06
28	EL0504709	Heizkörper EB 50 611 (ET)	Heating element EB 50 611 (ET)
28	EL0504711	Heizkörper EB 80 1011 (ET)	Heating element EB 80 1011 (ET)
28.1	EL0745588	Dichtung Heizkörper 611 Serie/06	Gasket heating element 611 serial/06
28.1	EL0745634	Dichtung Heizkörper 1011 Serie/06	Gasket heating element 1011 serial/06
29	EL0895660	Kupplung 3-polig	Coupling 3-poles
30	ELE524001	Abzieher Gebläserad	Puller
31	EL0500550	Drehzahlsimulator	Rotary speed
32	EL0504228	Verschraubung Thermoelement	Connection thermocouple
33	EL0012319	Sechskantmutter DIN 934 M10 V2A	Hexagon nut DIN 934 M10 V2A
34	EL0349771	Fächerscheibe DIN 6798 A10 V2A	Serrated lock washer DIN 6798 A10 V2A
35	EL0097071	Dichtung 10x15x1 DIN 7603 CU	Gasket 10x15x1 DIN 7603 CU
36	EL0031577	Sechskantschraube DIN 933 M10x16 V2A	Hexagon head screw DIN 933 M10x16 V2A
37	EL0586811	Scheibenmutter M6 V2A	Disk nut M6 V2A
38	EL0593303	Silikonschlauch D9x3 transparent	Hose silicone D9x3 transparent
39	EL0276634	Schlauchschelle Spannbereich 14-19	Hose clamp 14-19



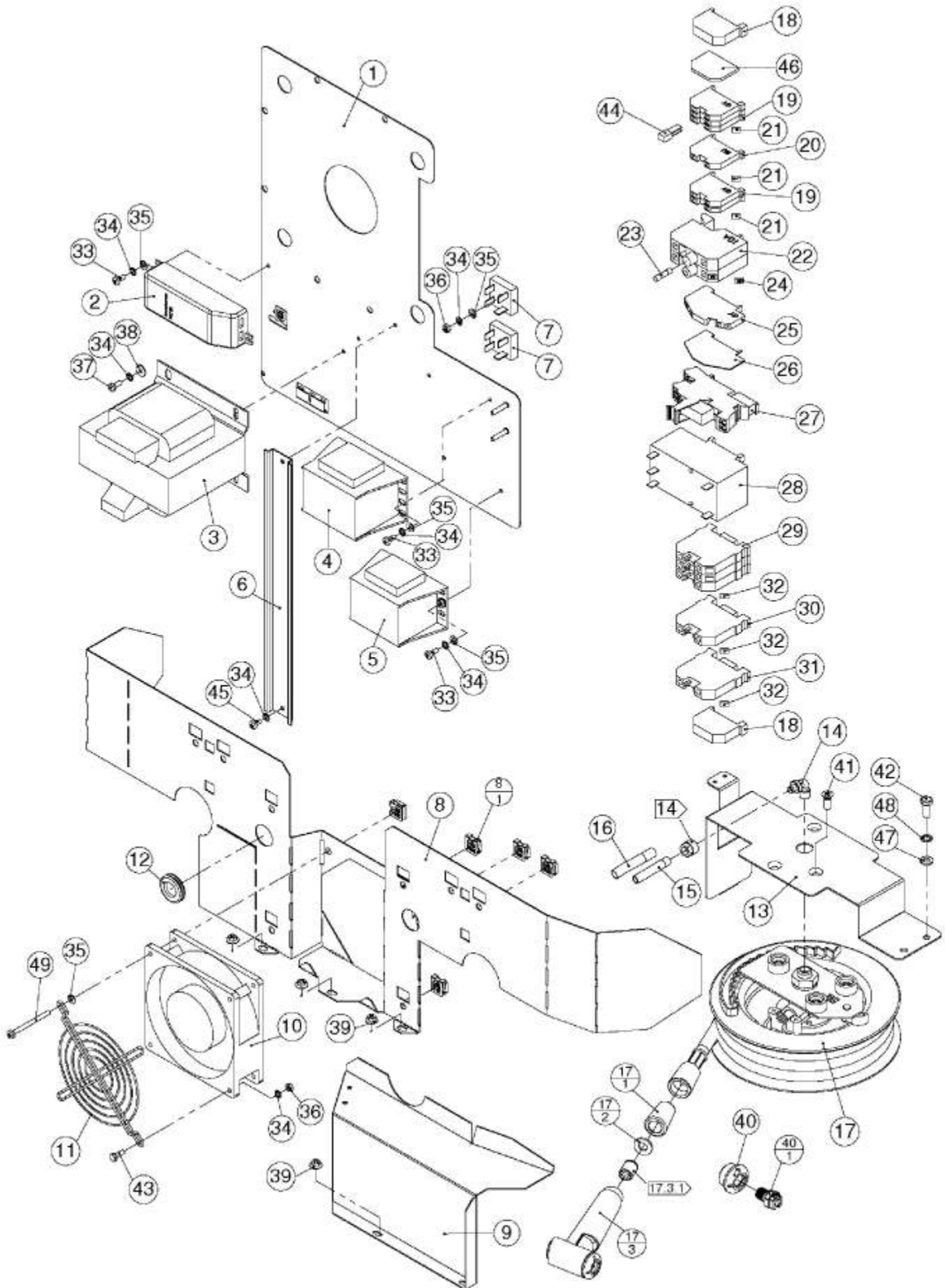
Backmaster EB 50 80 B+T Serie/09 - Backmaster EB 50 80 B+T series/09

1	EL0504732	Steuerbaugruppe EB 50 80 B Serie/09	Main board EB 50 80 B serial/09
1	EL0504733	Steuerbaugruppe EB 50 80 T Serie/09	Main board EB 50 80 T serial/09
1.1	EL0779601	Feinsicherung 8 A träge 5x20mm	Fine fuse 8 A delay 5x20mm
2	EL0749869	Stecker 20-polig	Plug 20-poles
3	EL0749850	Stecker 12-polig	Plug 12-poles
4	EL0898813	Stecker 12-polig	Plug 12-poles
5	EL0898805	Stecker 16-polig	Plug 16-poles
6	EL0603228	Abstandsbolzen M4x10 vernickelt	Distance bolt M4x10 nickel-plated
7	EL0050849	Zahnscheibe DIN 6797 J4,3 V2A	Lock washer DIN 6797 J43 V2A
8	EL0003905	Sechskantmutter DIN 934 M4 V2A	Hexagon nut DIN 934 M4 V2A
9	EL0749834	Abstandshalter Platine	Spacer for control board
10	EL0504206	E-Montageblech kpl. EB 50	Electric sheet cpl. EB 50
10	EL0503598	E-Montageblech kpl. EB 80	Electric sheet cpl. EB 80
11	EL0571075	Klemme 4 polig mit Rastfuss GY	Connector block 4 conductors GY
12	EL0553549	Klemme 2-polig mit Flansch GY	Connector block 2-pole conductors with flange GY
13	EL0570907	Abschlussplatte mit Rasifuss	End plate con catch
14	EL0503630	Sicherheitstemperaturbegrenzer 1-polig 305°	Safety temperature limiter 1-poles 305°
15	EL0500410	Anschlusskabel Trafo Steuerungstastatur 611	Connection cable transformer main bord 611
15.1	EL0785040	Ferrithülse mit Kunststoffgehäuse	Ferrite case
16	EL0758590	Kantenschutz	Edge guard
17	EL0740446	Kantenschutz	Edge guard



Backmaster EB 50 80 B+T Serie/09 - Backmaster EB 50 80 B+T series/09

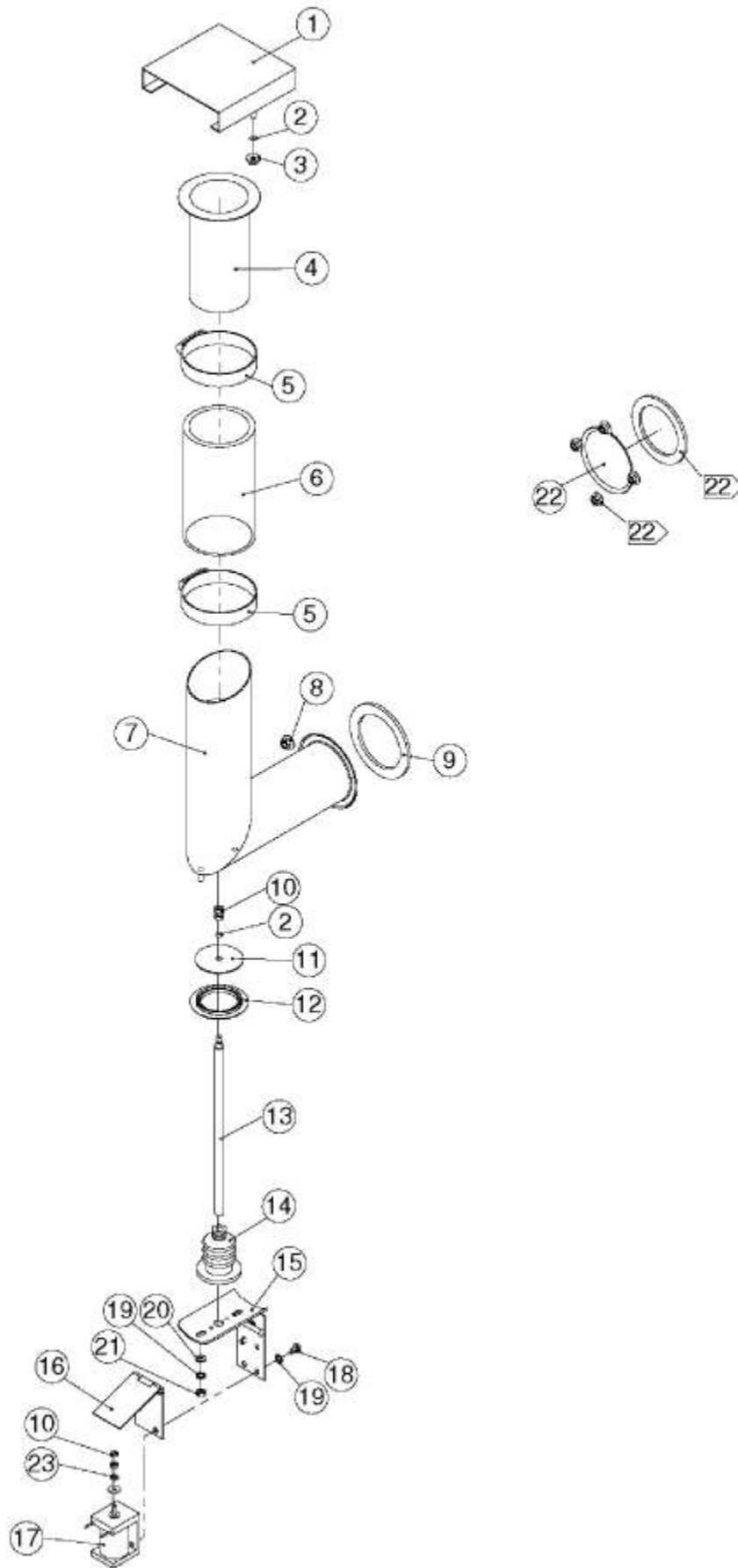
1	EL0504206	E-Montageblech kpl. EB 50	Electric sheet cpl. EB 50
1	EL0503598	E-Montageblech kpl. EB 80	Electric sheet cpl. EB 80
2	EL0523909	Schütz A9-30-10	Contactora A 9-30-10
2	EL0523895	Schütz A26-30-10	Contactora A26-30-10
3	EL0752207	Hilfsschalter Schließen CA 5-10 oben	Auxiliary switch "close" top
4	EL0742813	Hilfsrelais 230 V	Auxiliary relay 230 V
5	EL0752452	Abschlussplatte	End plate
6	EL0326941	Sicherungselement 5x20mm	Safety-element
7	EL0502759	Feinsicherung 200 ma träge 5x20mm	Fine fuse 200 ma delay 5x20mm
8	EL0504429	Bezeichnungsstreifen 0,2 A	Label 02 A
9	EL0578975	Feinsicherung 10 A träge 5x20mm	Fine fuse 10 A delay 5x20mm
10	EL0568155	Bezeichnungsstreifen 10 A	Label 10 A
11	EL0765368	Feinsicherung 4A träge 5x20mm	Fine fuse 4A delay 5x20mm
12	EL0765406	Bezeichnungsstreifen 4 A	Label 4 A
13	EL0327514	Abschlussplatte GY	End plate GY
14	EL0337676	Endklammer 10mm	End clamp 10mm
15	EL0503221	Schütz KH 2	Contactora KH 3
16	EL0502765	Hilfsschalter	Auxiliary switch
17	EL0572055	Klemme 4 qmm GY	Connector block 4 qmm GY
18	EL0570966	Abschlussplatte Klemme 4 qmm	End plate clamp 4 qmm
19	EL0693456	Axialgebläse 119x119x38 230V	Axial fan 119x119x38 230V
20	EL0504586	Halteblech Kühlkörper EB 50 80 Serie/09	Holding plate cooling element EB 50 80 serial/09
21	EL0749877	Lautsprecher	Speaker
22	EL0758582	Halter Lautsprecher	Bracket speaker
23	EL0770000	Kühlkörper 611 1011 Serie/06	Cooling element 611 1011 serial/06
24	EL0752401	Lastrelais 50A	Power relay 50 A
25	EL0899097	Abdeckung Lastrelais	Cover panel state relay
26	EL0010537	Linsenschraube DIN 7985 M4x12 V2A	Lens head screw DIN 7985 M4x12
27	EL0050849	Zahnscheibe DIN 6797 J4,3 V2A	Lock washer DIN 6797 J43 V2A
28	EL0001007	Scheibe DIN 125 A4,3 V2A	Washer DIN 125 A43 V2A
29	EL0003905	Sechskantmutter DIN 934 M4 V2A	Hexagon nut DIN 934 M4 V2A
30	EL0001015	Linsenschraube DIN 7985 M4x8 V2A	Lens head screw DIN 7985 M4x8 V2A
31	EL0010502	Linsenschraube DIN 7985 M4x10 V2A	Lens head screw DIN 7985 M4x10 V2A
32	EL0553182	Erdungszeichen für M4	Earth symbol M4
33	EL0338419	Entstörkondensator	Anti-interference capacitor
34	EL0504587	Ausgleichsblech EB 50 80 Serie/09	Filer plate EB 50 80 serial/09
35	EL0506262	Hupe extern (Option)	Buzzer external



Backmaster EB 50 80 B+T Serie/09 - Backmaster EB 50 80 B+T series/09

1	EL0504207	Motorisierblech kpl. EB 50 EB 80 RA	Motor isolating sheet cpl. EB 50 EB 80 RA
1	EL0504356	Motorisierblech kpl. EB 50 EB 80 LA	Motor isolating sheet cpl. EB 50 EB 80 LA
2	EL0502763	Transformator elektronisch 80 VA	Transformer electronic 80 VA
2	EL0504442	Transformator elektronisch 105 VA	Transformer electronic 105 VA
3	EL0761311	Transformator 200/230V STU 160/2x115 EB 50	Transformer 200/230V STU 160/2x115 EB 50
3	EL0503606	Transformator STU 250/2x115	Transformer STU 250/2x115
4	EL0572217	Transformator 230V/2x11,5V	Transformer 230V/2x115V
5	EL0742775	Transformator 230V/16,5V	Transformer CPU d2k
6	EL0889199	Hutschiene 611 1011 Serie/06	Top hat rail 611 1011 serial/06
7	EL0570532	Brückengleichrichter	Bridge rectifier
8	EL0889660	Isolationsblech 611 1011 Serie/06	Insulation sheet 611 1011 serial/06
8.1	EL0373222	Steckmutter M4 selbstsichernd V2A	Nut self-locking M4 V2A
9	EL0889636	Spritzschutz RA Schlauchbrause 611 1011 Serie/06	Spraying Protective RA hose shower 611 1011 serial/06
9	EL0889652	Spritzschutz LA Schlauchbrause 611 1011 Serie/06	Spraying Protective LA hose shower 611 1011 serial/06
10	EL0693456	Axialgebläse 119x119x38 230V	Axial fan 119x119x38 230V
11	EL0586285	Gebälsegitter	Fan grid
12	EL0232963	Membrantülle DG 16	Spout DG 16
13	EL0745316	Haltebügel Schlauchaufroller Serie/06	Holding bow tube roller serial/06
14	EL0785865	Winkelverschraubung	Elbow-fitting
15	EL0785857	Kunststoffleitung Polyamid	Plastic pipe PA
16	EL0039691	Isolierschlauch D9 Glasseide	Insulating tube D9
17	EL0770086	Schlauchaufroller 611 1011 (ET)	Hose recoiler 611 1011 (ET)
17.1	EL0780022	Anschlagpuffer	Stop buffer
17.2	EL0783404	Griffstück Brause mit Rückschlagventil	Handle piece with check valve
17.3	EL0871907	Dichtung flach D18xd10x4	Gasket plane D18xd10x4
17.3.1	EL0893102	Rückschlagventil	Rebound valve
18	EL0337676	Endklammer 10mm	End clamp 10mm
19	EL0572055	Klemme 4 qmm GY	Connector block 4 qmm GY
20	EL0571067	Klemme 4 qmm BU	Connector block 4 qmm BU
21	EL0580546	Bezeichnungstreifen LO	Label LO
22	EL0326941	Sicherungselement 5x20mm	Safety-element
23	EL0578975	Feinsicherung 10 A träge 5x20mm	Fine fuse 10 A delay 5x20mm
24	EL0568155	Bezeichnungstreifen 10 A	Label 10 A
25	EL0572071	Klemme 3 polig 4qmm GY	Connector block 3-pole 4qmm GY
26	EL0337668	Abschlussplatte GY 4mm	End plate GY 4mm
27	EL0501204	Hilfsrelais	Auxiliary relay
28	EL0742767	Entstörfilter	Interference supression filter
29	EL0572969	Klemme 10 qmm GY	Connector block 10 qmm GY
30	EL0572977	Klemme 10 qmm BU	Connector block 10 qmm BU
31	EL0572985	Klemme 10 qmm GN/YE	Connector block 10 qmm GN/YE
32	EL0543144	Bezeichnungstreifen "L1-PE"	Label "L1-PE"
33	EL0010502	Linsenschraube DIN 7985 M4x10 V2A	Lens head screw DIN 7985 M4x10 V2A
34	EL0050849	Zahnscheibe DIN 6797 J4,3 V2A	Lock washer DIN 6797 J43 V2A
35	EL0001007	Scheibe DIN 125 A4,3 V2A	Washer DIN 125 A43 V2A
36	EL0003905	Sechskantmutter DIN 934 M4 V2A	Hexagon nut DIN 934 M4 V2A
37	EL0068217	Sechskantschraube DIN 933 M4x10 V2A	Hexagon head screw DIN 933 M4x10 V2A
38	EL0026999	Scheibe DIN 9021 4,3 V2A	Washer DIN 9021 43 V2A
39	EL0553395	Scheibenmutter M4 V2A	Disk nut M4 V2A
40	EL0504447	Benetzungsdüse	Moistening injector
40.1	EL0503373	Flachstrahldüse EB 50 80 Serie/09	Jet nozzle EB 50 80 serial/09
41	EL0014184	Senkschraube DIN 965 M6x16 V2A	Countersunk screw DIN 965 M6x16 V2A
42	EL0251836	Sechskantschraube DIN 933 M6x10 V2A	Hexagon head screw DIN 933 M6x10 V2A
43	EL0873470	Sechskantschraube DIN 933 M4x12 V2A	Hexagon head screw DIN 933 M4x12 V2A
44	EL0303089	Querbrücke 4qmm	Cross bridging 4qmm
45	EL0001015	Linsenschraube DIN 7985 M4x8 V2A	Lens head screw DIN 7985 M4x8 V2A
46	EL0570966	Abschlussplatte Klemme 4 qmm	End plate clamp 4 qmm
47	EL0004014	Scheibe DIN 125 A6,4 V2A	Washer DIN 125 A64 V2A
48	EL0006777	Fächerscheibe DIN 6798 A6,4 V2A	Serrated lock washer DIN 6798 A64 V2A
49	EL0788376	Linsenschraube DIN 7985 M4x50 V2A	Lens head screw DIN 7985 M4x50 V2A

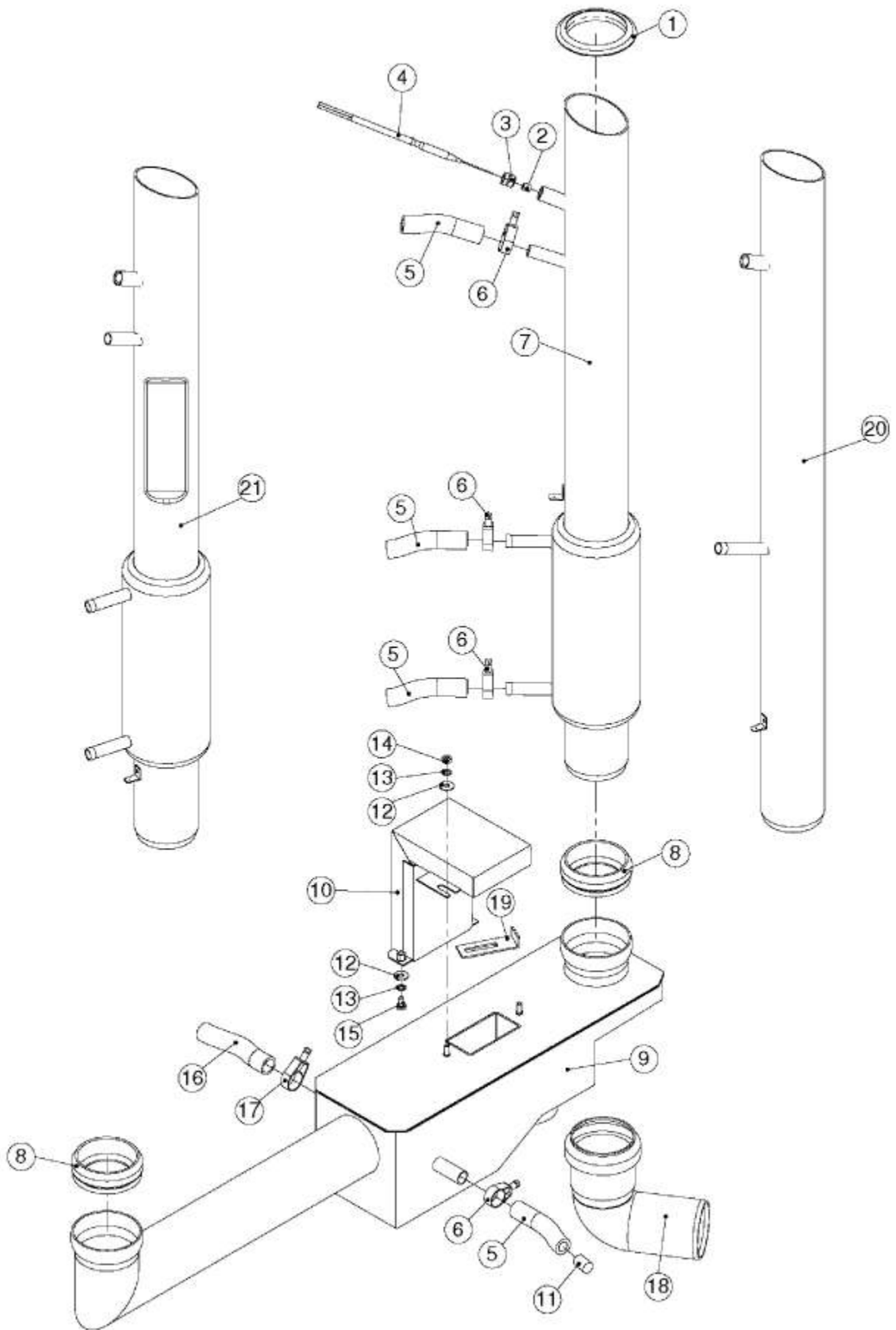
Zuluft - Supply air



Backmaster EB 50 80 B+T Serie/09 - Backmaster EB 50 80 B+T series/09

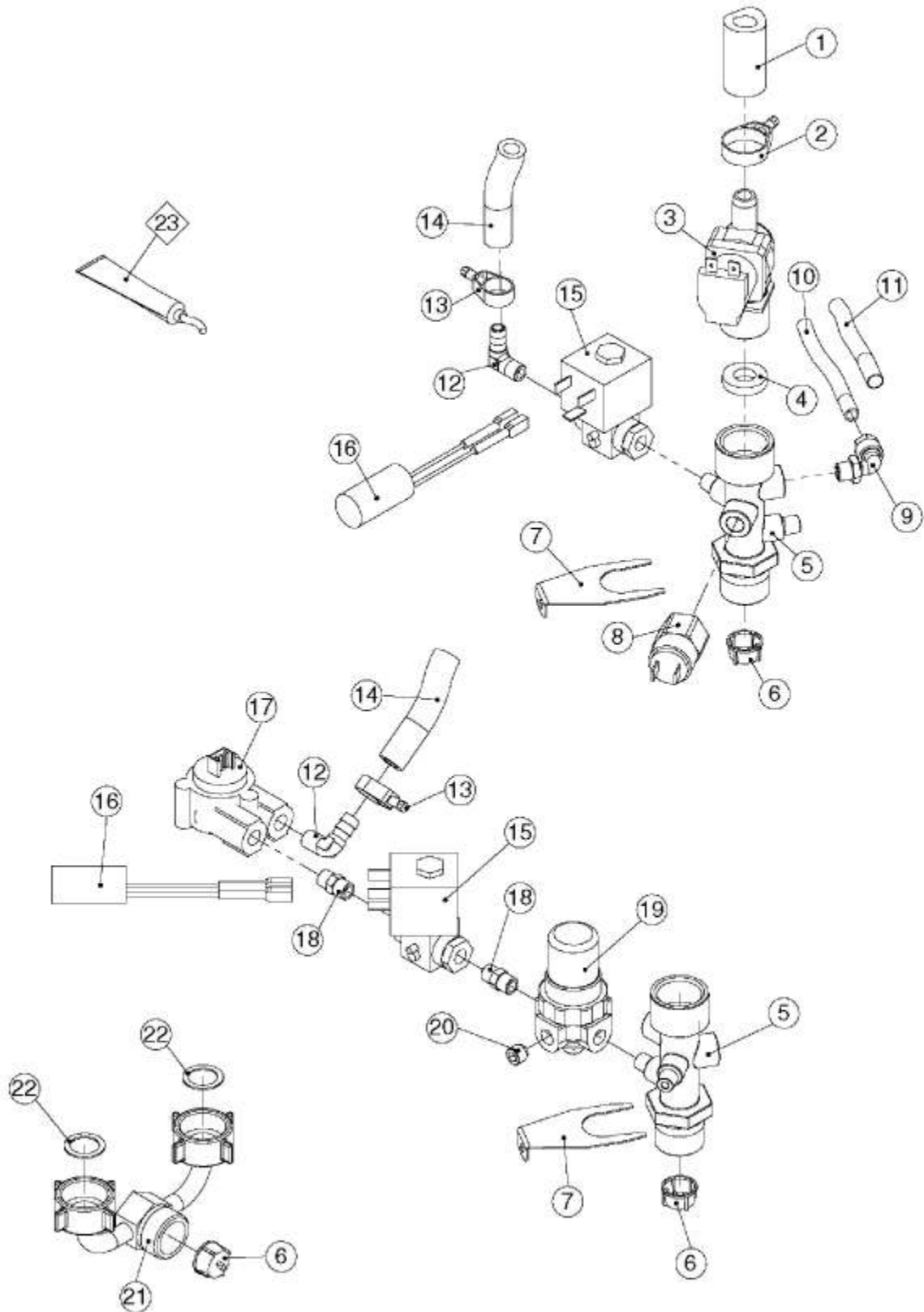
1	EL0575895	Kappe Abdeckung Zuluft einfach	Cap supply air single
2	EL0013455	O-Ring 3,68x1,78	O-ring 368x178
3	EL0553395	Scheibenmutter M4 V2A	Disk nut M4 V2A
4	EL0575941	Zuluftstutzen 110mm d2k 611 2011 2021	Air intake 110mm d2k 611 2011 2021
4	EL0575852	Zuluftstutzen 205mm d2k 1011 1221	Air intake 205mm d2k 1011 1221
5	EL0580791	Schlauchklemme 40-60mm	Hose clamp 40-60 mm
6	EL0580430	Silikonmanschette D50x5 L=110 d2k 611 2021	Silicone sleeve d=50x5 d2k 611 2021
6	EL0753017	Silikonmanschette D50x5 L=150 d2k 1011 2011	Silicone sleeve d=50x5 d2k 1011 2011
7	EL0575933	Zuluftrohr	Pipe air supply
8	EL0752746	Scheibenmutter M5 V2A	Disk nut M5 V2A
9	EL0757071	Dichtungsring D68xd50x3	Gasket ring supply air D68xd50x3
10	EL0000396	Sechskantmutter DIN 934 M3 V2A	Hexagon nut DIN 934 M3 V2A
11	EL0578886	Klappe Zuluftrohr d2k	Flap supply air d2k
12	EL0509191	Formdichtung Zuluftrohr	Gasket air inlet tube
13	EL0579173	Hubstange Zuluftrohr d2k	Lifting rod supply air d2k
14	EL0566594	Faltenbalg Zuluftrohr d2k	Gaiter supply air
15	EL0585319	Hubstangenführung Zuluftrohr	Guide additional air
16	EL0776076	Hebel Hubmagnet	Lever stroke magnet air supply
17	EL0565377	Hubmagnet Zuluftrohr d2k	Lifting magnet supply air
18	EL0570923	Sechskantschraube DIN 933 M4x6 V2A	Hexagon head screw DIN 933 M4x6 V2A
19	EL0050849	Zahnscheibe DIN 6797 J4,3 V2A	Lock washer DIN 6797 J43 V2A
20	EL0001007	Scheibe DIN 125 A4,3 V2A	Washer DIN 125 A43 V2A
21	EL0003905	Sechskantmutter DIN 934 M4 V2A	Hexagon nut DIN 934 M4 V2A
22	EL0504712	Zuluft blind (ET)	Assembly supply air blind (ET)
23	EL0000965	Scheibe DIN 125 A3,2 V2A	Washer DIN 125 A32 V2A

Ablauf - Downspout



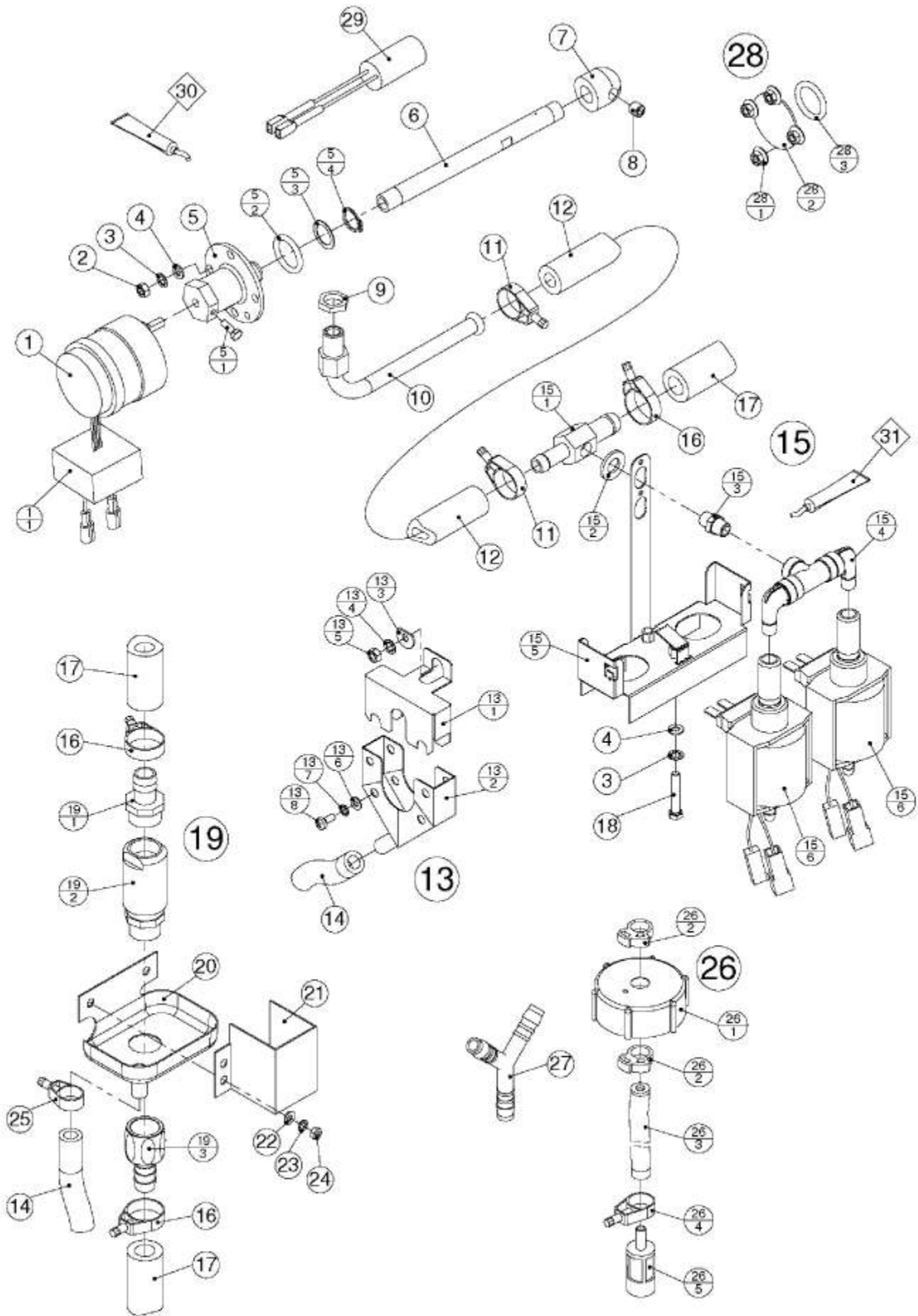
Backmaster EB 50 80 B+T Serie/09 - Backmaster EB 50 80 B+T series/09

1	EL0584096	Dichtung Abluftrohr	Gasket drain
2	EL0268666	Dichtung 3x1,5x6 Silikon	Gasket 3x15x6
3	EL0759864	Stopfbuchsenrippe	Fitting
4	EL0570621	NiCrNi Fühler	NiCrNi sensor
5	EL0593303	Silikonschlauch D9x3 transparent	Hose silicone D9x3 transparent
6	EL0276634	Schlauchschelle Spannbereich 14-19	Hose clamp 14-19
7	EL0745324	Abluftrohr kpl. 611 mit Wärmetauscher Serie/06	Exhaust pipe with heat exchanger 611 serial/06
7	EL0747599	Abluftrohr kpl. 1011 mit Wärmetauscher Serie/06	Exhaust pipe with heat exchanger 1011 serial/06
8	EL0307025	Dichtelement DN 50 Silikon	Sealing element DN 50 silicone
9	EL0780243	Siphon d2k 611 1011 MA	Siphon d2k 611 1011 MA
10	EL0780189	Überläufer Siphon d2k 611 1011	Defector siphon d2k 611 1011
11	EL0504424	Stopfen	Plug
12	EL0026999	Scheibe DIN 9021 4,3 V2A	Washer DIN 9021 43 V2A
13	EL0050849	Zahnscheibe DIN 6797 J4,3 V2A	Lock washer DIN 6797 J43 V2A
14	EL0003905	Sechskantmutter DIN 934 M4 V2A	Hexagon nut DIN 934 M4 V2A
15	EL0068217	Sechskantschraube DIN 933 M4x10 V2A	Hexagon head screw DIN 933 M4x10 V2A
16	EL0506222	Silikonschlauch D11x3 transparent	Hose silicone D11x3 transparent
17	EL0276642	Schlauchschelle Spannbereich 16-21	Hose clamp 16-21
18	EL0581763	HT-Bogen 87° DN 50 DIN 19560	HT elbow 87 GRD DN 50 DIN 19560
19	EL0780235	Arretierwinkel	Locking angle
20	EL0747823	Abluftrohr d2k 611 MA	Exhaust pipe d2k 611 MA
20	EL0747831	Abluftrohr 1011 MA	Exhaust pipe d2k 1011 MA
21	EL0507018	Entlüftungsrohr 611 Gas	Ventilation pipe 611 gas
21	EL0507019	Entlüftungsrohr 1011 Gas	Ventilation pipe 1011 gas



Backmaster EB 50 80 B+T Serie/09 - Backmaster EB 50 80 B+T series/09

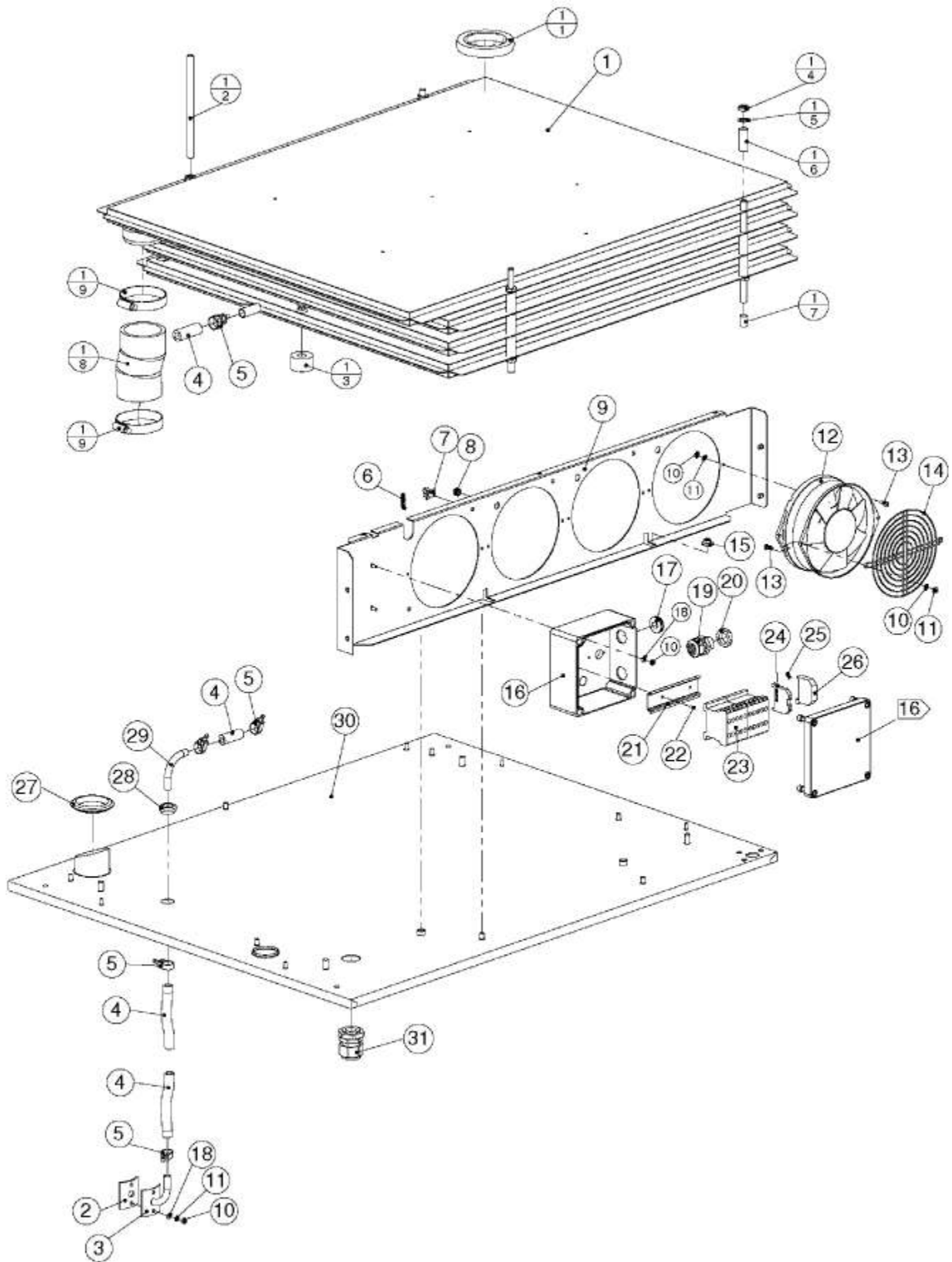
1	EL0753661	Dampfschlauch 13x5 blau	Tube 13x5 blue
2	EL0756040	Schlauchselle Spannbereich 25	Hose clamp 25
3	EL0754463	Magnetventil Autoclean einfach	Solenoid valve simple
4	EL0501738	Dichtung 24x12x5	Gasket 24x12x5
5	EL0502733	Standrohr (ET)	Valve support (ET)
6	EL0249688	Sieb weiß	Filter
7	EL0889520	Federklemme Wassereinheit	Spring clip
8	EL0784028	Druckschalter	Pressure switch
9	EL0747580	Winkeleinschraubverschraubung drehbar Serie/06	Screwed angle fitting swivelling serial/06
10	EL0785857	Kunststoffleitung Polyamid	Plastic pipe PA
11	EL0039691	Isolierschlauch D9 Glasseide	Insulating tube D9
12	EL0582166	Winkeleinschraubtülle G1/8A D9	Hose connector G1/8A D9
13	EL0276634	Schlauchselle Spannbereich 14-19	Hose clamp 14-19
14	EL0593303	Silikonschlauch D9x3 transparent	Hose silicone D9x3 transparent
15	EL0374806	Magnetventil	Solenoid valve
16	EL0338532	Entstörkondensator Kpl mit Flachstecker	Anti-interference capacitor
17	EL0897264	Durchflussmengenmesser	Flowmeter
18	EL0754447	Doppelnippel	Double nipple
19	EL0871419	Druckminderer (ET)	Pressure-reducing valve (ET)
20	EL0399280	Verschlusssschraube 1/8"	Locking screw 1/8"
21	EL0502615	Verbindung Weich-/ Hartwasser	Connection soft water-hard water
22	EL0590649	Dichtung HT 120/125 Verbundwerkstoff	Gasket HT 120/125
23	EL0593567	Loctite 511 Gewindedichtung	Loctite 511 sealing material



Backmaster EB 50 80 B+T Serie/09 - Backmaster EB 50 80 B+T series/09

1	EL0753807	Getriebemotor Autoclean mit Kondensator	Gear motor autoclean with capacitor
1.1	EL0753823	Kondensator 0,27 mF Getriebemotor Autoclean	Capacitor 027 mF drive motor
2	EL0252867	Sechskantmutter DIN 934 M5 V2A	Hexagon nut DIN 934 M5 V2A
3	EL0304816	Zahnscheibe DIN 6797 J5,3 V2A	Lock washer DIN 6797 J53 V2A
4	EL0003980	Scheibe DIN 125 A5,3 V2A	Washer DIN 125 A53 V2A
5	EL0775177	Baugruppe Achse-Nabe Autoclean	Assembly axle hub autoclean
5.1	EL0873470	Sechskantschraube DIN 933 M4x12 V2A	Hexagon head screw DIN 933 M4x12 V2A
5.2	EL0753742	O-Ring 23,4x3,53 Viton	O-ring 234x353 viton
5.3	EL0584339	Passscheibe DIN 988 14x20x0,5 V2A	Shim ring DIN 988 14x20x05 V2A
5.4	EL0581011	Sicherungsring DIN 471 14x1 V2A	Retaining ring DIN 471 14x1 V2A
6	EL0753793	Düsenrohr Autoclean 611 1011 2011	Nozzle pipe 611 1011 2011
7	EL0753777	Hauptdüse Autoclean Garraum 1/1	Nozzle autoclean 1/1
8	EL0753785	Gewindestift DIN 913 M8x8 V2A	Threaded pin DIN 913 M8x8 V2A
9	EL0035637	Sechskantmutter R 1/4 SW 19x6 Messing vernickelt	Hexagon nut R 1/4 SW 19x6
10	EL0509868	Wasserzulaufrohr Autoclean kpl.	Water intake autoclean cpl.
11	EL0572160	Schlauchbinder NS 22	Hose clip NS 22
12	EL0753734	Dampfschlauch 10x5 blau	Tube 10x5 blue
13	EL0504713	Fangbehälter (ET)	Drip catch (ET)
13.1	EL0783803	Deckel kpl. Autoclean	Cover cpl. autoclean
13.2	EL0783757	Fangbehälter Autoclean	Drip catch autoclean
13.3	EL0873462	Scheibe Autoclean	Washer autoclean
13.4	EL0304816	Zahnscheibe DIN 6797 J5,3 V2A	Lock washer DIN 6797 J53 V2A
13.5	EL0252867	Sechskantmutter DIN 934 M5 V2A	Hexagon nut DIN 934 M5 V2A
13.6	EL0001007	Scheibe DIN 125 A4,3 V2A	Washer DIN 125 A43 V2A
13.7	EL0050849	Zahnscheibe DIN 6797 J4,3 V2A	Lock washer DIN 6797 J43 V2A
13.8	EL0010502	Linsenschraube DIN 7985 M4x10 V2A	Lens head screw DIN 7985 M4x10 V2A
14	EL0593303	Silikonschlauch D9x3 transparent	Hose silicone D9x3 transparent
15	EL0508269	Baugruppe Schwingkolbenpumpe	Assembly swinging piston pump
15.1	EL0753890	Y-Verbindungsstück Autoclean	Y-shaped connecting piece autoclean
15.2	EL0012602	Scheibe DIN 125 A10,5 V2A	Washer DIN 125 A105 V2A
15.3	EL0508164	Doppelnippel	Double nipple
15.4	EL0508163	Anschlussgruppe VA	Adapter set VA
15.5	EL0508265	Haltewinkel AC hohe Ausführung	Angle bracket AC high konstruktion
15.6	EL0501313	Schwingkolbenpumpe 208-230 V	Piston pump autoclean 208-230 V
16	EL0756040	Schlauchschele Spannbereich 25	Hose clamp 25
17	EL0753661	Dampfschlauch 13x5 blau	Tube 13x5 blue
18	EL0503842	Sechskantschraube DIN 933 M5x30 V2A	Hexagon head screw DIN 933 M5x30 V2A
19	EL0504724	Rohrbelüfter mit Rückflussverhinderer R1/2"1/2" (ET)	Tube-aerator with backflow preventer R1/2"1/2" (ET)
19.1	EL0753432	Schlauchtülle 12mm - 1/2"	Hose connector 12mm-1/2"
19.2	EL0509017	Rohrbelüfter	Tube-aerator
19.3	EL0778095	Schlauchtülle 1/2x1/2	Hose connector 1/2x1/2
20	EL0753424	Auffangwanne Autoclean	Collecting tray autoclean
21	EL0753440	Spritzschutz Autoclean	Splash guard autoclean
22	EL0001007	Scheibe DIN 125 A4,3 V2A	Washer DIN 125 A43 V2A
23	EL0050849	Zahnscheibe DIN 6797 J4,3 V2A	Lock washer DIN 6797 J43 V2A
24	EL0003905	Sechskantmutter DIN 934 M4 V2A	Hexagon nut DIN 934 M4 V2A
25	EL0276634	Schlauchschele Spannbereich 14-19	Hose clamp 14-19
26	EL0756296	Kanisteranschluss rot + blau (ET)	Accessoires canister red + blue (ET)
26.1	EL0756334	Kanisterdeckel DN 50 blau	Canister cap DN 50 blue
26.1	EL0756075	Kanisterdeckel DN 50 rot	Canister cap DN 50 red
26.2	EL0766747	Schnappschele 12,3	Snap clamp 12,3
26.3	EL0175781	Schlauch D6x3mm PVC	Hose D6x3mm PVC
26.4	EL0276634	Schlauchschele Spannbereich 14-19	Hose clamp 14-19
26.5	EL0079197	Ansaugsieb Autoclean Kanister	Suction filter autoclean
27	EL0756024	Y-Verbindungsstück Autoclean 10mm	Y-shaped tube connecting 10mm
28	EL0504714	Autoclean blind (ET)	Autoclean blind (ET)
28.1	EL0752746	Scheibenmutter M5 V2A	Disk nut M5 V2A
28.2	EL0747025	Blinddeckel Autoclean	Cover autoclean
28.3	EL0399434	O-Ring 29,82X2,62	O-ring 2982X262
29	EL0508672	Kabelbaum Entstörkondensator	Cable harness anti-interference capacitor
30	EL0872849	Silikonkleber Novasil S25 Kartusche 80 ml	Silicone adhesive Novasil S25 cartridge 80ml
31	EL0371327	Loctite 542 Gewindedichtung	Loctite 542 sealing material

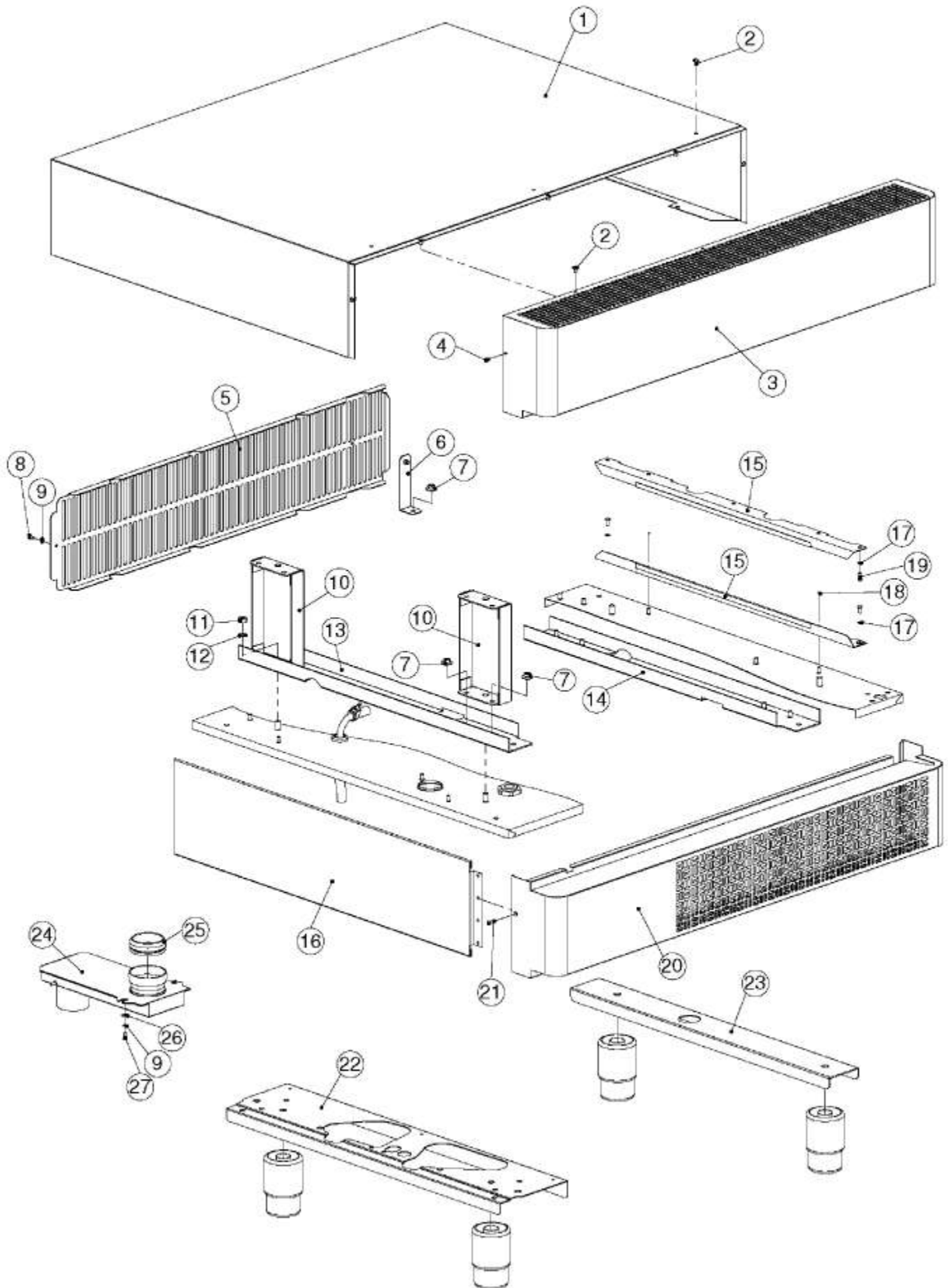
KH 2 innen - KH 2 inside



Backmaster EB 50 80 B+T Serie/09 - Backmaster EB 50 80 B+T series/09

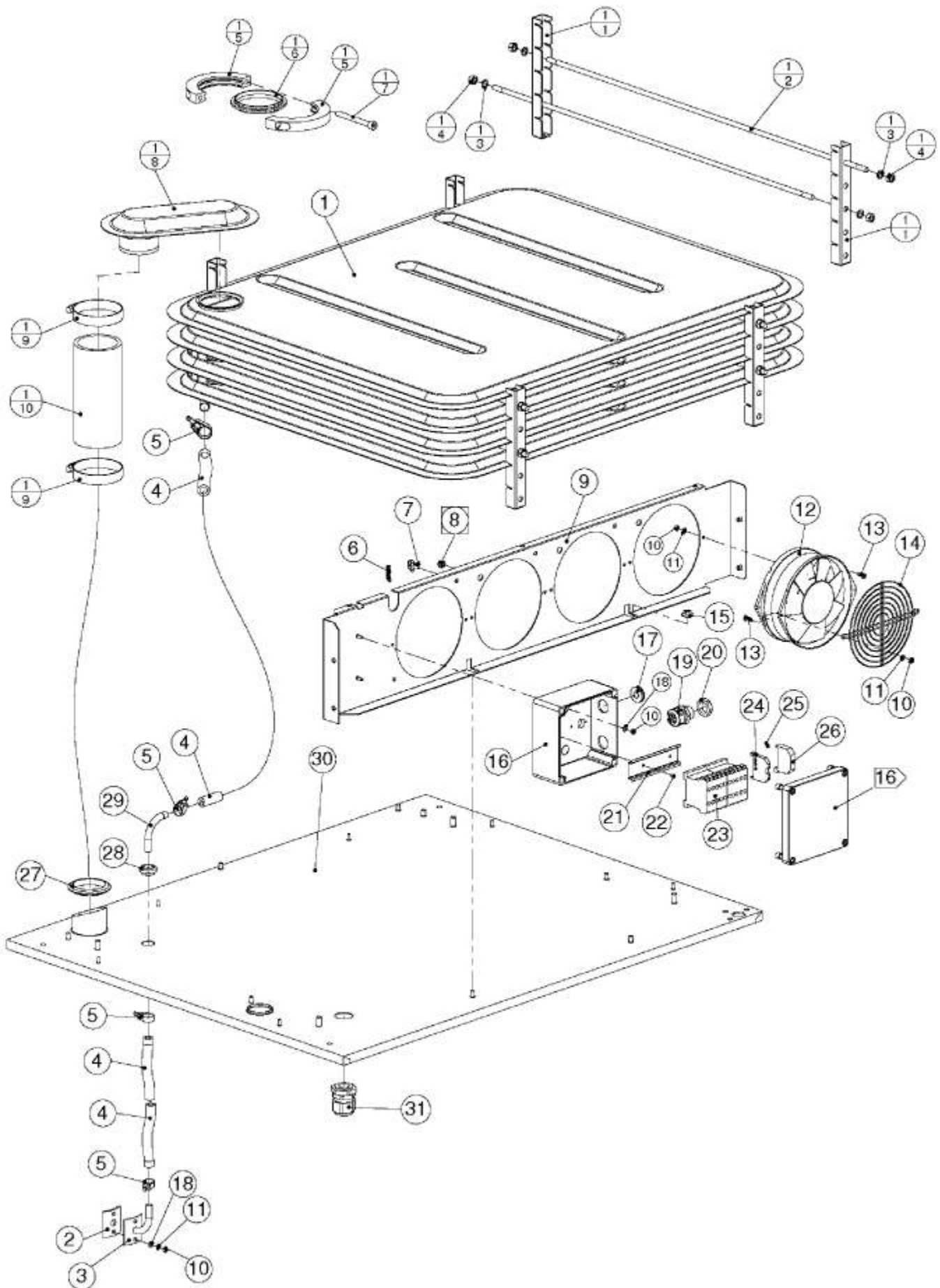
1	EL0503352	Plattenkondensator KH 2 RA Serie/09	Steam condenser cpl. mounted KH 2 RA serial/09
1	EL0503432	Plattenkondensator KH 2 LA Serie/09	Steam condenser cpl. mounted KH 2 LA serial/09
1.1	EL0775694	Silikonschaumring Ø=70	Silicone foam ring Ø=70
1.2	EL0502193	Gewindestange M8x145	Threaded bolt M8x145
1.3	EL0775657	Silikonschaumring Ø=12	Silicone foam ring Ø=12
1.4	EL0012157	Sechskantmutter niedrig DIN 439 M8 V2A	Hexagon nut low DIN 439 M8 V2A
1.5	EL0892920	Zahnscheibe DIN 6797 J8,4 V2A	Lock washer DIN 6797 J84 V2A
1.6	EL0775622	Distanzhülse KH 1 KH 2	Distance bush KH 1 KH 2
1.7	EL0503224	Schutzkappe Spindel	Protecting cap
1.8	EL0580635	Silikonschlauch 50x5	Hose silicone 50x5
1.9	EL0580791	Schlauchklemme 40-60mm	Hose clamp 40-60 mm
2	EL0579254	Silikondichtung Wärmetauscher d2k 2011 1221 2021	Gasket silicone heat exchanger d2k 2011 1221 2021
3	EL0782335	Zulaufrohr Kondensat kpl. KH 2 KH 3	Water supply
4	EL0593303	Silikonschlauch D9x3 transparent	Hose silicone D9x3 transparent
5	EL0276634	Schlauchschele Spannbereich 14-19	Hose clamp 14-19
6	EL0740446	Kantenschutz	Edge guard
7	EL0388017	Kabelbinder lösbar	Lacing cord
8	EL0877727	Kabeldurchführung 5x7x11	Cable bushing 5x7x11
9	EL0503353	Lüfterblech KH 2 mix RA	Ventilator plate KH 2 mix RA
9	EL0503786	Lüfterblech KH 2 mix LA	Ventilator plate KH 2 mix LA
10	EL0003905	Sechskantmutter DIN 934 M4 V2A	Hexagon nut DIN 934 M4 V2A
11	EL0050849	Zahnscheibe DIN 6797 J4,3 V2A	Lock washer DIN 6797 J43 V2A
12	EL0507036	Axialgebläse KH 2	Axial fan
13	EL0010537	Linsenschraube DIN 7985 M4x12 V2A	Lens head screw DIN 7985 M4x12
14	EL0775592	Schutzgitter KH 2	Protective grid KH 2
15	EL0586811	Scheibenmutter M6 V2A	Disk nut M6 V2A
16	EL0507453	Verteilerdose KH 2 Serie/09	Distribution box KH 2 serial/09
17	EL0503232	Doppelmembranstützen M20	Membrane
18	EL0001007	Scheibe DIN 125 A4,3 V2A	Washer DIN 125 A43 V2A
19	EL0506801	Kabelverschraubung M20x1,5 vierfach	Cable connection M20x15 quadruple
20	EL0506802	Mutter für Kabelverschraubung	Nut
21	EL0579785	Hutschiene 108mm	Top hat rail 108mm
22	EL0885460	Senkblechschraube DIN 7982 B2,9x9,5 V2A	Countersunk flat head tapping screw DIN 7982 B29x95 V2A
23	EL0503221	Schütz KH 2	Contactork KH 3
24	EL0594997	Klemme 4 qmm GN/YE	Connector block 4 qmm GN/YE
25	EL0570850	Bezeichnungsstreifen "Erdung"	Label "earthing"
26	EL0337676	Endklammer 10mm	End clamp 10mm
27	EL0584096	Dichtung Abluftrohr	Gasket drain
28	EL0506332	Dichtungsdurchführung	Sealing grommet
29	EL0784516	Zulaufrohr Kondensat KH	Water pipe kh
30	EL0503411	Gehäusedeckel kpl 611 1011 KH 2 Serie/09 RA	Case cover kpl 611 1011 KH 2 serial/09 RA
30	EL0503788	Gehäusedeckel kpl 611 1011 KH 2 Serie/09 LA	Case cover kpl 611 1011 KH 2 serial/09 LA
31	EL0573019	Verschraubung PG 21 mit Gegenmutter	Connection PG 21 with lock nut
99	EL0503225	Kabelbaum KH 2	Cable harness KH 2

KH 2 aussen - KH 2 outside



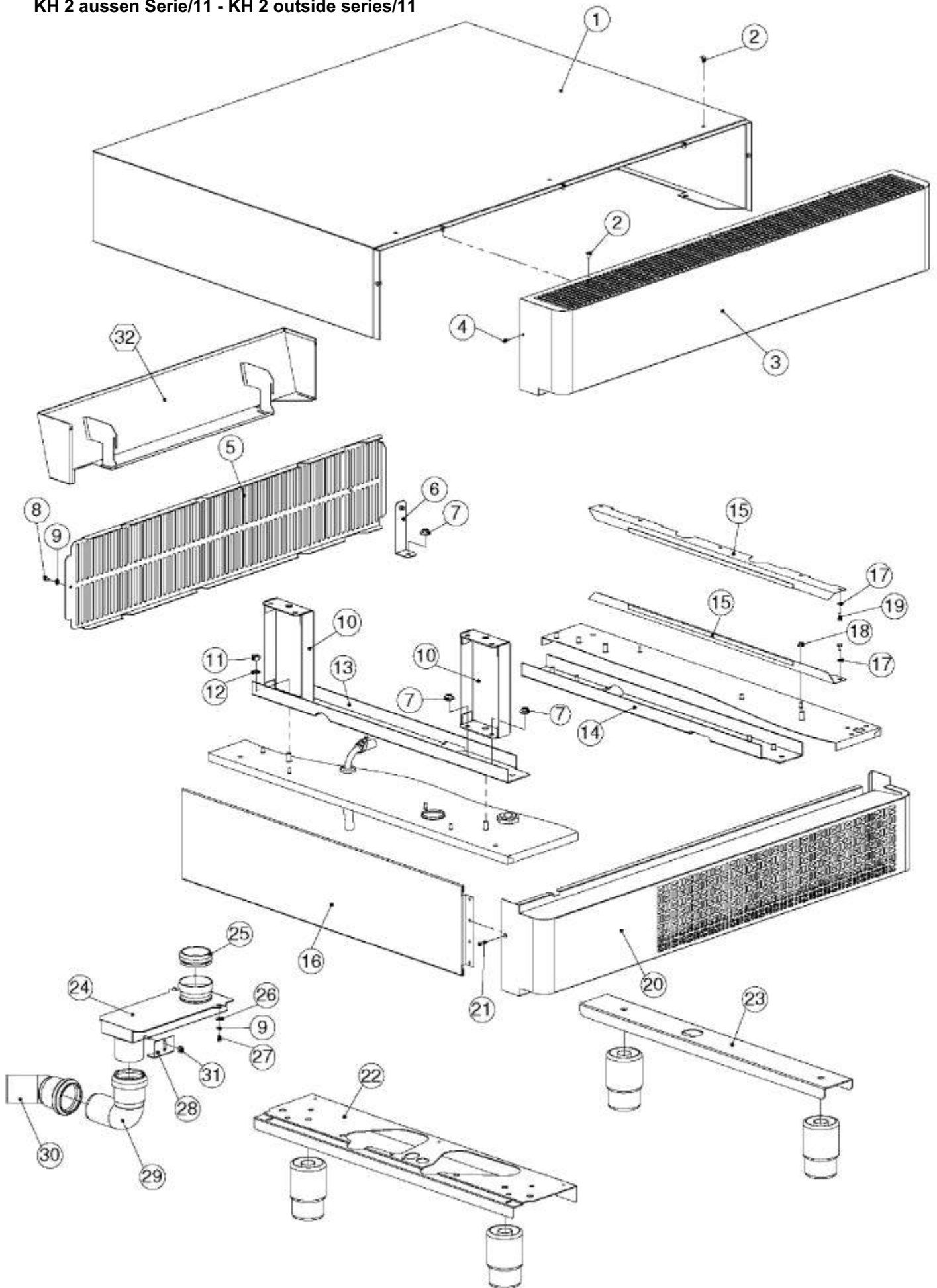
Backmaster EB 50 80 B+T Serie/09 - Backmaster EB 50 80 B+T series/09

1	EL0503611	Haubenteil hinten KH 2 Serie/09	Sheet metal hood rear KH 2 serial/09
2	EL0525316	Becherschraube M4x8 V2A	Cup screw M4x8 V2A
3	EL0503612	Haubenteil vorn KH 2 Serie/09 RA	Sheet metal hood top KH 2 serial/09 RA
3	EL0504655	Haubenteil vorn KH 2 Serie/09 LA	Sheet metal hood top KH 2 serial/09 LA
4	EL0014249	Linsensenkschraube DIN 966 M4X8 V2A	Raised countersunk DIN 966 M4X8 V2A
5	EL0503613	Schutzteil KH 2 mix Serie/09	Protective grid KH 2 mix serial/09
6	EL0503615	Montagewinkel Schutzteil KH 2 Serie/09 mix	Assembly bracket Protective grid KH 2 serial/09 mix
7	EL0586811	Scheibenmutter M6 V2A	Disk nut M6 V2A
8	EL0001015	Linsenschraube DIN 7985 M4x8 V2A	Lens head screw DIN 7985 M4x8 V2A
9	EL0050849	Zahnscheibe DIN 6797 J4,3 V2A	Lock washer DIN 6797 J43 V2A
10	EL0504303	Fusstütze	Bracket foot
11	EL0012319	Sechskantmutter DIN 934 M10 V2A	Hexagon nut DIN 934 M10 V2A
12	EL0349771	Fächerscheibe DIN 6798 A10 V2A	Serrated lock washer DIN 6798 A10 V2A
13	EL0504305	Verstärkungsschiene KH 2 mix links	Stiffening base assembly rail KH 2 mix left
14	EL0504304	Verstärkungsschiene KH 2 mix rechts	Stiffening base assembly rail KH 2 mix right
15	EL0762210	Hakenschiene	Assembly rail
16	EL0503409	Verblendung KH 2 mix Serie/09	Facing KH 2 mix serial/09
17	EL0050849	Zahnscheibe DIN 6797 J4,3 V2A	Lock washer DIN 6797 J43 V2A
18	EL0003905	Sechskantmutter DIN 934 M4 V2A	Hexagon nut DIN 934 M4 V2A
19	EL0068217	Sechskantschraube DIN 933 M4x10 V2A	Hexagon head screw DIN 933 M4x10 V2A
20	EL0503406	Frontteil KH 2 mix RA	Front KH 2 mix RA
20	EL0503787	Frontteil KH 2 mix LA	Front KH 2 mix LA
21	EL0037311	Linsenschraube DIN 7985 M4x16 V2A	Lens head screw DIN 7985 M4x16 V2A
22	EL0781762	Versteifung Boden	Stiffening base
23	EL0951684	Versteifung Boden	Stiffening base
24	EL0503447	Steckkanal KH 2 mix Serie/09	Duct KH 2 mix serial/09
25	EL0307025	Dichtelement DN 50 Silikon	Sealing element DN 50 silicone
26	EL0026999	Scheibe DIN 9021 4,3 V2A	Washer DIN 9021 43 V2A
27	EL0189499	Sechskantschraube DIN 933 M4x16 V2A	Hexagon head screw DIN 933 M4x16 V2A



Backmaster EB 50 80 B+T Serie/09 - Backmaster EB 50 80 B+T series/09

1	EL0509768	Plattenkondensator KH 2 RA Serie/12	Plattenkondensator KH 2 RA Serie/12
1	EL0509783	Plattenkondensator KH 2 LA Serie/12	Plattenkondensator KH 2 LA Serie/12
1.1	EL0508488	Halter KH 2 Serie/11	Halter KH 2 Serie/11
1.2	EL0508492	Gewindestange M6x564	Gewindestange M6x564
1.3	EL0892912	Zahnscheibe DIN 6797 J6,4 V2A	Lock washer DIN 6797 J64 V2A
1.4	EL0251887	Sechskantmutter DIN 934 M6 V2A	Hexagon nut DIN 934 M6 V2A
1.5	EL0507801	Ringschelle KH Paar Serie/11	Ringschelle KH Paar Serie/11
1.6	EL0507783	Dichtung KH Serie/11	Dichtung KH Serie/11
1.7	EL0508482	Zylinderschraube DIN 912 M5x50 V2A	Zylinderschraube DIN 912 M5x50 V2A
1.8	EL0509767	Eingangskanal KH 2 Serie/11	Eingangskanal KH 2 Serie/11
1.9	EL0580791	Schlauchklemme 40-60mm	Hose clamp 40-60 mm
1.10	EL0510201	Silikonmanschette D=50x5 130mm	Silikonmanschette D=50x5 130mm
2	EL0579254	Silikondichtung Wärmetauscher d2k 2011 1221 2021	Gasket silicone heat exchanger d2k 2011 1221 2021
3	EL0782335	Zulaufrohr Kondensat kpl. KH 2 KH 3	Water supply
4	EL0593303	Silikonschlauch D9x3 transparent	Hose silicone D9x3 transparent
5	EL0276634	Schlauchschelle Spannbereich 14-19	Hose clamp 14-19
6	EL0740446	Kantenschutz	Edge guard
7	EL0388017	Kabelbinder lösbar	Lacing cord
8	EL0877727	Kabeldurchführung 5x7x11	Cable bushing 5x7x11
9	EL0503353	Lüfterblech KH 2 mix RA	Ventilator plate KH 2 mix RA
9	EL0503786	Lüfterblech KH 2 mix LA	Ventilator plate KH 2 mix LA
10	EL0003905	Sechskantmutter DIN 934 M4 V2A	Hexagon nut DIN 934 M4 V2A
11	EL0050849	Zahnscheibe DIN 6797 J4,3 V2A	Lock washer DIN 6797 J43 V2A
12	EL0507036	Axialgebläse KH 2	Axial fan
13	EL0010537	Linsenschraube DIN 7985 M4x12 V2A	Lens head screw DIN 7985 M4x12
14	EL0775592	Schutzgitter KH 2	Protective grid KH 2
15	EL0586811	Scheibenmutter M6 V2A	Disk nut M6 V2A
16	EL0503222	Verteilerdose KH 2 Serie/09	Distribution box KH 2 serial/09
17	EL0503232	Doppelmembranstützen M20	Membrane
18	EL0001007	Scheibe DIN 125 A4,3 V2A	Washer DIN 125 A43 V2A
19	EL0506801	Kabelverschraubung M20x1,5 vierfach	Cable connection M20x15 quadruple
20	EL0506802	Mutter für Kabelverschraubung	Nut
21	EL0579785	Hutschiene 108mm	Top hat rail 108mm
22	EL0885460	Senkblechschraube DIN 7982 B2,9x9,5 V2A	Countersunk flat head tapping screw DIN 7982 B29x95 V2A
23	EL0503221	Schütz KH 2	Contactork KH 3
24	EL0594997	Klemme 4 qmm GN/YE	Connector block 4 qmm GN/YE
25	EL0570850	Bezeichnungstreifen "Erdung"	Label "earthing"
26	EL0337676	Endklammer 10mm	End clamp 10mm
27	EL0584096	Dichtung Abluftrohr	Gasket drain
28	EL0506332	Dichtungsdurchführung	Sealing grommet
29	EL0784516	Zulaufrohr Kondensat KH	Water pipe kh
30	EL0503411	Gehäusedeckel kpl 611 1011 KH 2 Serie/09 RA	Case cover kpl 611 1011 KH 2 serial/09 RA
30	EL0503788	Gehäusedeckel kpl 611 1011 KH 2 Serie/09 LA	Case cover kpl 611 1011 KH 2 serial/09 LA
31	EL0573019	Verschraubung PG 21 mit Gegenmutter	Connection PG 21 with lock nut
99	EL0503225	Kabelbaum KH 2	Cable harness KH 2



Backmaster EB 50 80 B+T Serie/09 - Backmaster EB 50 80 B+T series/09

1	EL0503611	Haubenteil hinten KH 2 Serie/09	Sheet metal hood rear KH 2 serial/09
2	EL0525316	Becherschraube M4x8 V2A	Cup screw M4x8 V2A
3	EL0503612	Haubenteil vorn KH 2 Serie/09 RA	Sheet metal hood top KH 2 serial/09 RA
3	EL0504655	Haubenteil vorn KH 2 Serie/09 LA	Sheet metal hood top KH 2 serial/09 LA
4	EL0014249	Linsensenkschraube DIN 966 M4X8 V2A	Raised countersunk DIN 966 M4X8 V2A
5	EL0503613	Schutzteil KH 2 mix Serie/09	Protective grid KH 2 mix serial/09
6	EL0503615	Montagewinkel Schutzteil KH 2 Serie/09 mix	Assembly bracket Protective grid KH 2 serial/09 mix
7	EL0586811	Scheibenmutter M6 V2A	Disk nut M6 V2A
8	EL0001015	Linsenschraube DIN 7985 M4x8 V2A	Lens head screw DIN 7985 M4x8 V2A
9	EL0050849	Zahnscheibe DIN 6797 J4,3 V2A	Lock washer DIN 6797 J43 V2A
10	EL0504303	Fusstütze	Bracket foot
11	EL0012319	Sechskantmutter DIN 934 M10 V2A	Hexagon nut DIN 934 M10 V2A
12	EL0349771	Fächerscheibe DIN 6798 A10 V2A	Serrated lock washer DIN 6798 A10 V2A
13	EL0504305	Verstärkungsschiene KH 2 mix links	Stiffening base assembly rail KH 2 mix left
14	EL0504304	Verstärkungsschiene KH 2 mix rechts	Stiffening base assembly rail KH 2 mix right
15	EL0762210	Hakenschiene	Assembly rail
16	EL0503409	Verblendung KH 2 mix Serie/09	Facing KH 2 mix serial/09
17	EL0050849	Zahnscheibe DIN 6797 J4,3 V2A	Lock washer DIN 6797 J43 V2A
18	EL0003905	Sechskantmutter DIN 934 M4 V2A	Hexagon nut DIN 934 M4 V2A
19	EL0068217	Sechskantschraube DIN 933 M4x10 V2A	Hexagon head screw DIN 933 M4x10 V2A
20	EL0503406	Frontteil KH 2 mix RA	Front KH 2 mix RA
20	EL0503787	Frontteil KH 2 mix LA	Front KH 2 mix LA
21	EL0037311	Linsenschraube DIN 7985 M4x16 V2A	Lens head screw DIN 7985 M4x16 V2A
22	EL0781762	Versteifung Boden	Stiffening base
23	EL0951684	Versteifung Boden	Stiffening base
24	EL0503447	Steckkanal KH 2 mix Serie/09	Duct KH 2 mix serial/09
25	EL0307025	Dichtelement DN 50 Silikon	Sealing element DN 50 silicone
26	EL0026999	Scheibe DIN 9021 4,3 V2A	Washer DIN 9021 43 V2A
27	EL0189499	Sechskantschraube DIN 933 M4x16 V2A	Hexagon head screw DIN 933 M4x16 V2A
28	EL0507798	Haltewinkel HT-Rohr	Haltewinkel HT-Rohr
29	EL0581763	HT-Bogen 87° DN 50 DIN 19560	HT elbow 87 GRD DN 50 DIN 19560
30	EL0875678	HT-Rohr-Winkel 50x45°	HT pipe angle 50x45 degree
31	EL0553395	Scheibenmutter M4 V2A	Disk nut M4 V2A
32	EL0509072	Abluftabweiser Rückseite KH 2 KH 2 mix	Abluftabweiser Rückseite KH 2 KH 2 mix
33	EL0744824	Verstellfuss rund 611 1011	Foot 611 1011
34	EL0506657	Rollfuss	Rollfuss
35	EL0506671	Rollfuss feststellbar	Rollfuss feststellbar
36	EL0012319	Sechskantmutter DIN 934 M10 V2A	Hexagon nut DIN 934 M10 V2A

Backmaster EB 50 80 B+T Serie/09 - Backmaster EB 50 80 B+T series/09

99	EL0553271	Anschlusskabel 5x1,5 qmm	Connection cable 5x15 qmm
99	EL0570745	Anschlusskabel 5x2,5 qmm	Connecting cable 5x25 qmm
99	EL0297089	Kabel kpl. Sternbrücke	Cable star bridge
99	EL0750735	Kabelbaum Axialgebläse Serie/06	Cable harness fan serial/06
99	EL0753637	Kabelbaum Beleuchtung d2k 1011	Cable harness lighting d2k 1011
99	EL0753629	Kabelbaum Beleuchtung d2k 611	Cable harness lighting d2k 611
99	EL0750700	Kabelbaum Drehzahlsensor Serie/06 611 1011	Cable harness speed sensor serial/06 611 1011
99	EL0500632	Kabelbaum Durchflusszähler GT 611 1011	Cable harness flowmeter GT 611 1011
99	EL0502768	Kabelbaum EB 50 3NAC 400V	Cable harness EB 50 3 N AC 400V
99	EL0502764	Kabelbaum EB 80 3NAC 400V	Cable harness EB 80 3 N AC 400V
99	EL0955434	Kabelbaum Niederspannung 611 1011	Cable harness low voltage 611 1011
99	EL0504226	Kabel Halogenlampe EB 50	Cable halogen lamp EB 50
99	EL0504227	Kabel Halogenlampe EB 80	Cable halogen lamp EB 80
99	EL0503939	Schaltplan EB 50 80 Serie/09	Wiring diagram EB 50 80 serial/09
99	EL0593567	Loctite 511 Gewindedichtung	Loctite 511 sealing material
99	EL0371327	Loctite 542 Gewindedichtung	Loctite 542 sealing material
99	EL0872849	Silikonkleber Novasil S25 Kartusche 80 ml	Silicone adhesive Novasil S25 cartridge 80ml
99	ELE522063	Backhandschuh	Backhandschuh
99	EL0872482	Wärmeleitpaste	Heat-conducting paste
99	EL0106577	Silikonfett	Silicone grease
99	EL0161179	Kabelbinder	Lacing cord
99	EL0388017	Kabelbinder lösbar	Lacing cord



eloma

eI0504265 10.05.2009 pl
Vers. 1.2 14.06.2013

Technische Änderungen vorbehalten!
Technical amendments reserved!