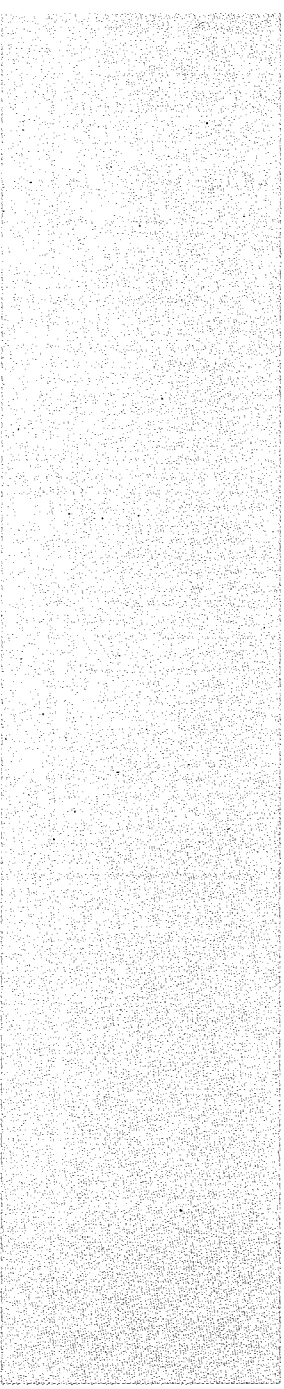
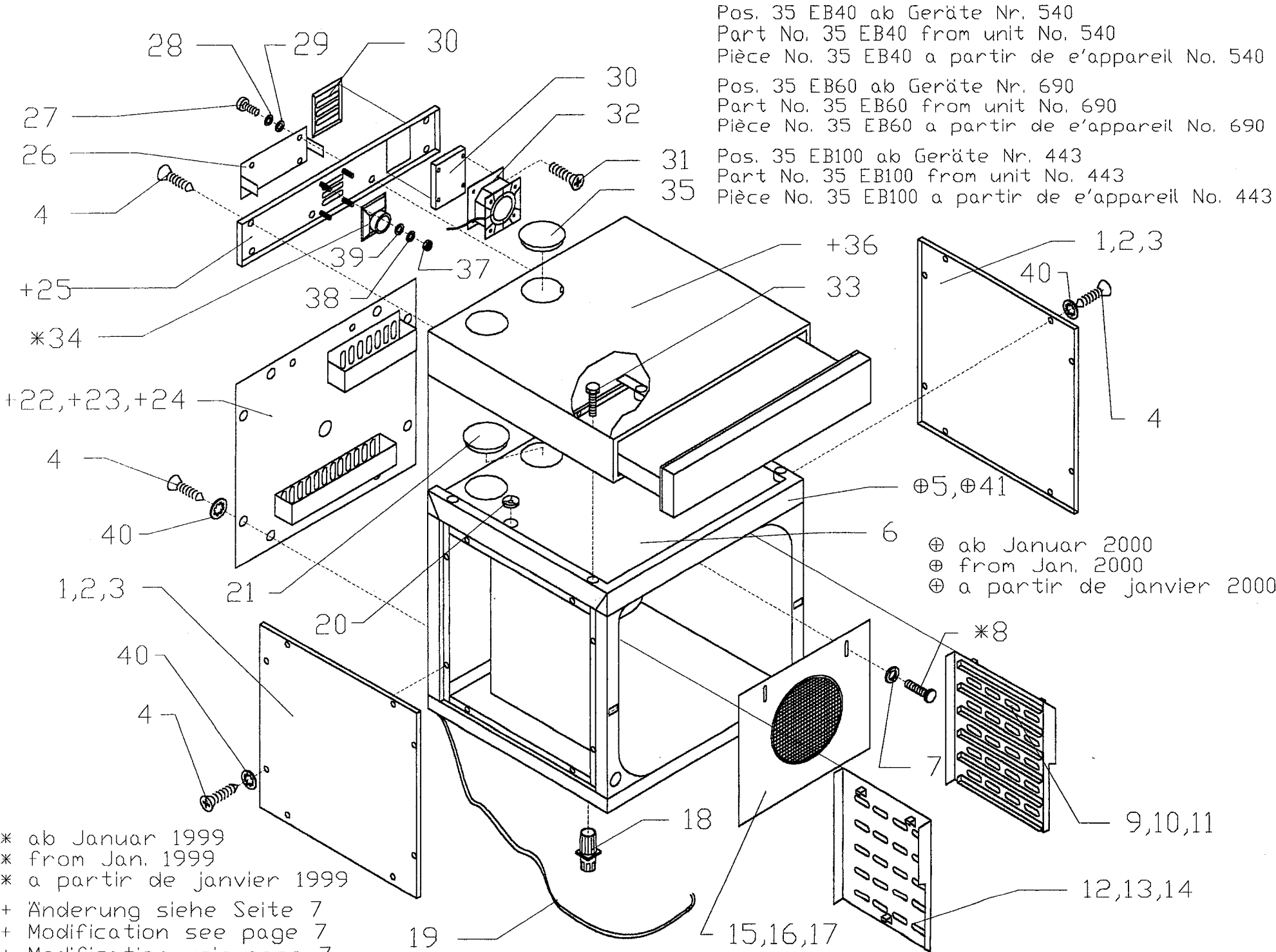


elonna

Sparepart list

Backmaster EB EBC





Pos. 35 EB40 ab Geräte Nr. 540
 Part No. 35 EB40 from unit No. 540
 Pièce No. 35 EB40 a partir de e'appareil No. 540

Pos. 35 EB60 ab Geräte Nr. 690
 Part No. 35 EB60 from unit No. 690
 Pièce No. 35 EB60 a partir de e'appareil No. 690

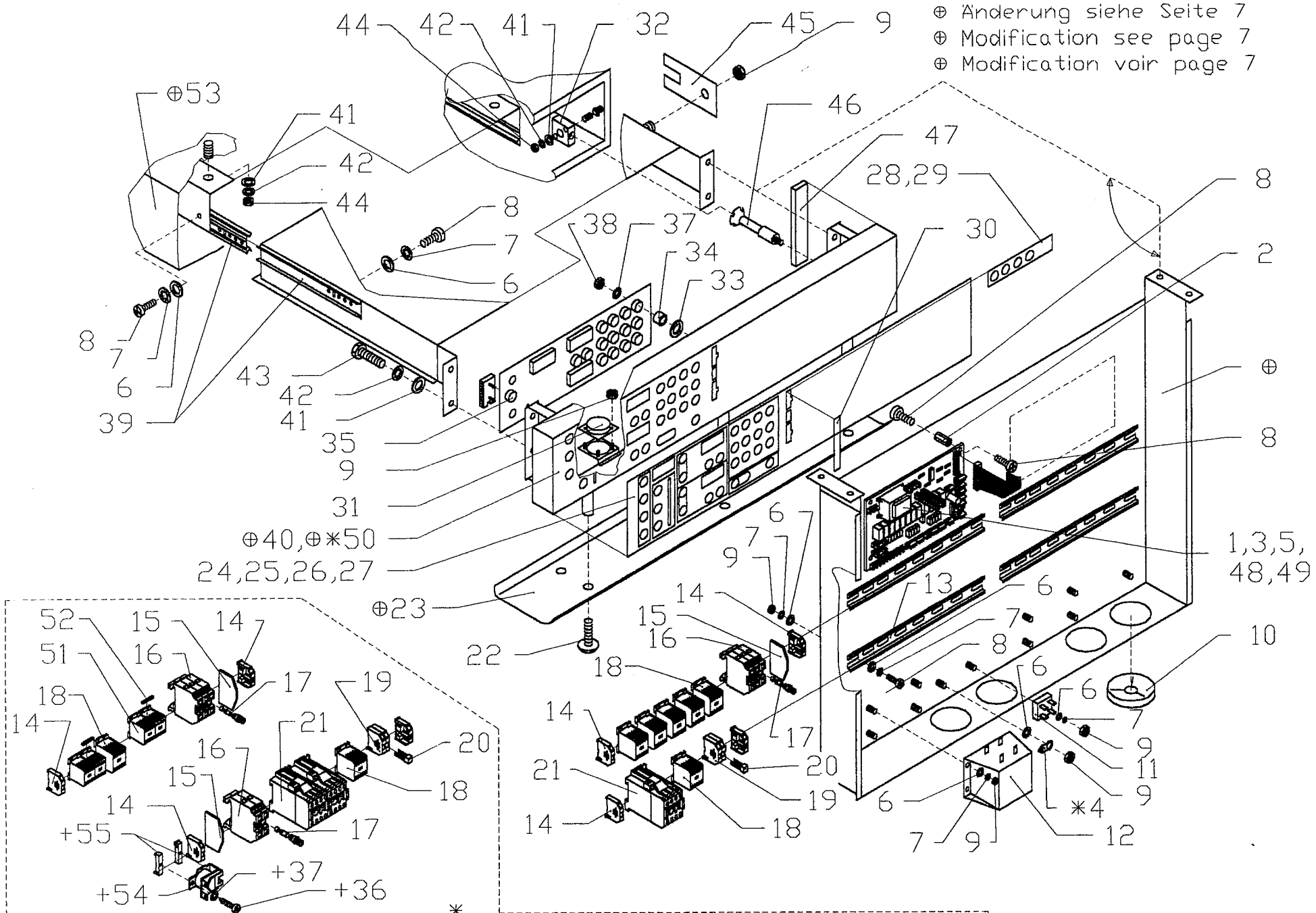
Pos. 35 EB100 ab Geräte Nr. 443
 Part No. 35 EB100 from unit No. 443
 Pièce No. 35 EB100 a partir de e'appareil No. 443

⊕ ab Januar 2000
 ⊕ from Jan. 2000
 ⊕ a partir de janvier 2000

* ab Januar 1999
 * from Jan. 1999
 * a partir de janvier 1999

+ Änderung siehe Seite 7
 + Modification see page 7
 + Modification voir page 7

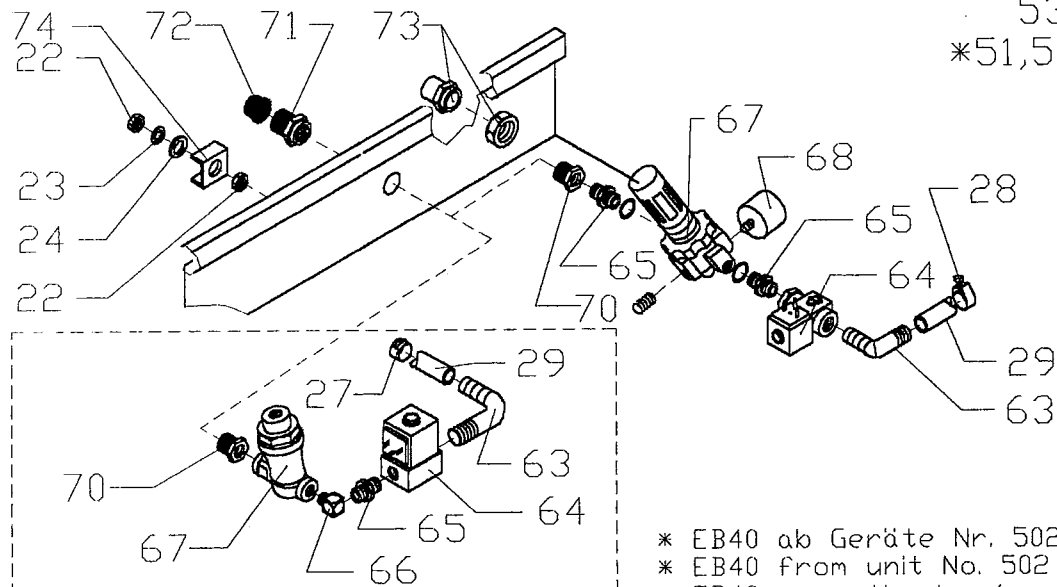
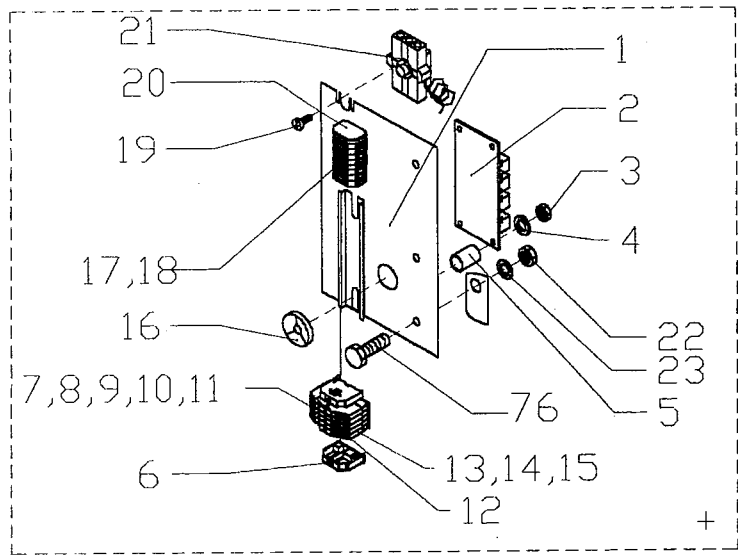
⊕ Änderung siehe Seite 7
 ⊕ Modification see page 7
 ⊕ Modification voir page 7



+ EB40 ab Geräte Nr. 510
 + EB40 from unit No. 510
 + EB40 a partir de e'appareil No. 510

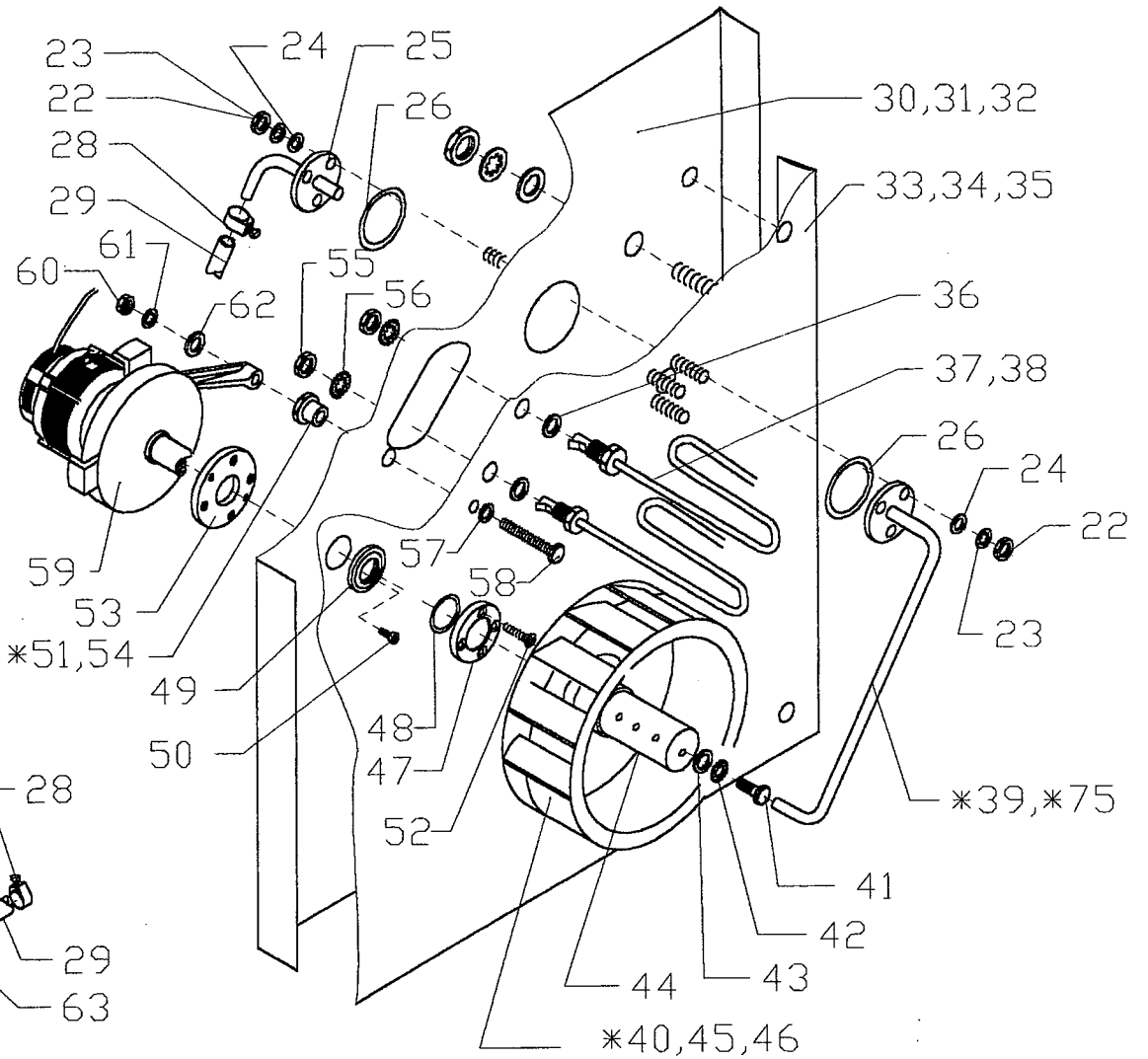
*
 + EB60 ab Geräte Nr. 628
 + EB60 from unit No. 628
 + EB60 a partir de e'appareil No. 628

*ab Januar 1999
 *from Jan. 1999
 *a partir de janvier 1999



ab Januar 1999
 From January 1999
 à partir de janvier 1999

+ Änderung siehe Seite 8
 + Modification see page 8
 + Modification voir page 8



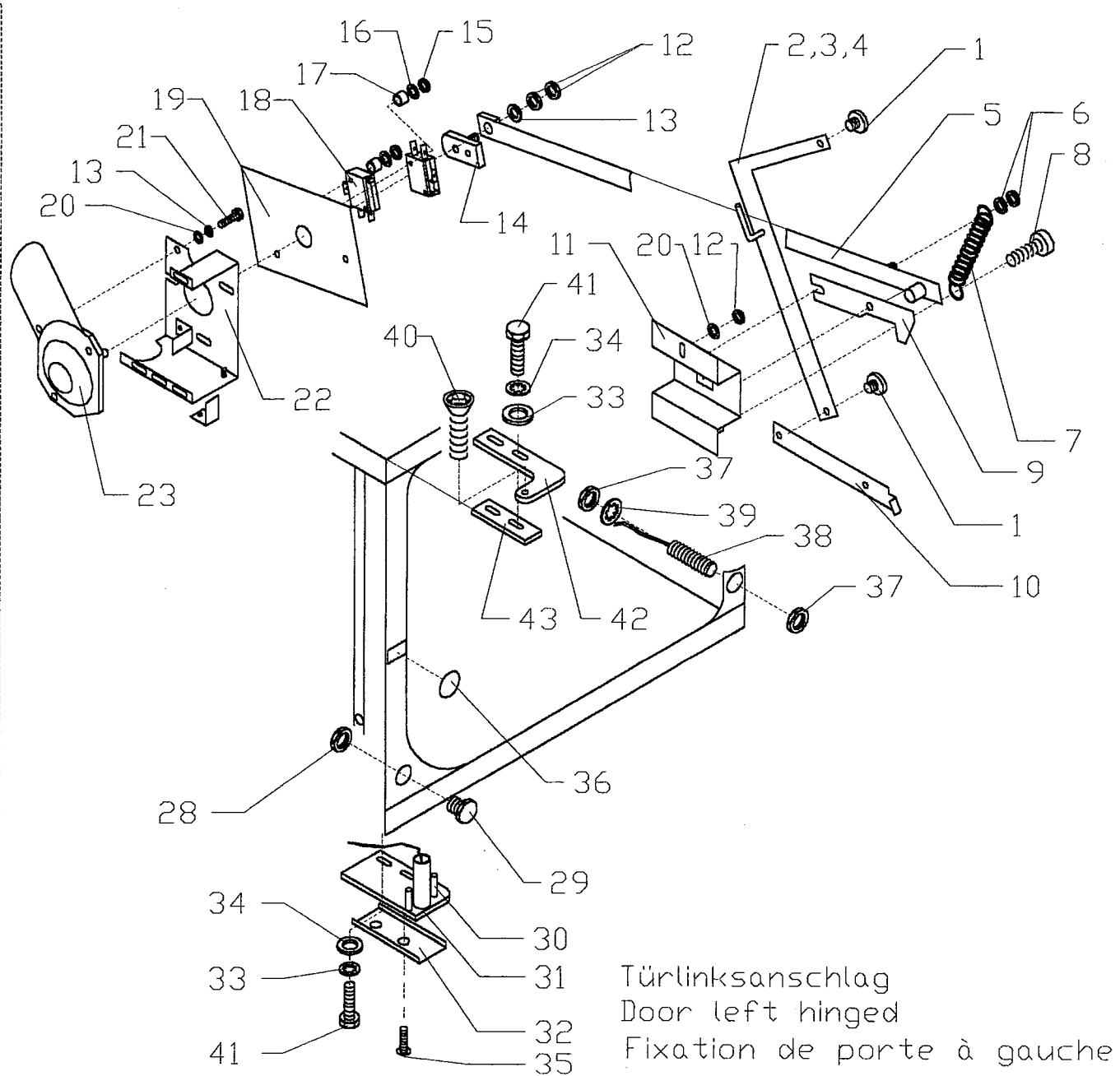
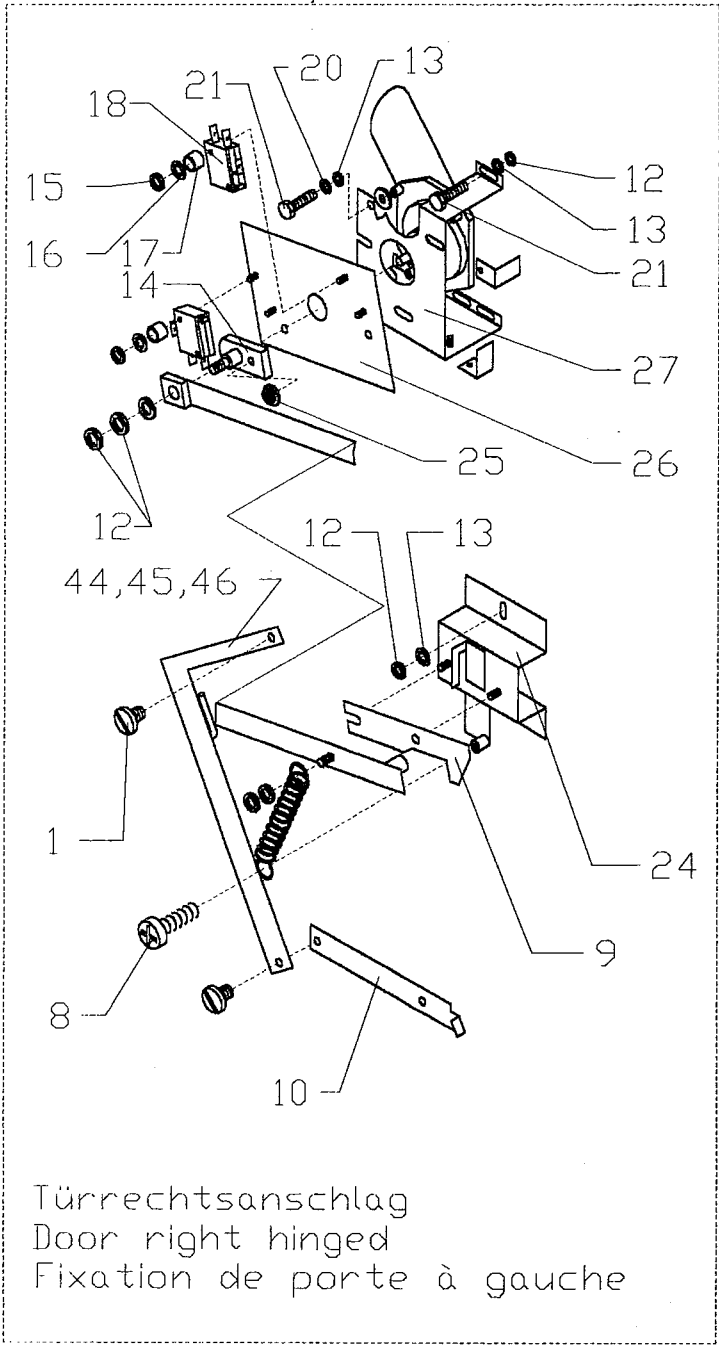
* EB40 ab Geräte Nr. 502
 * EB40 from unit No. 502
 * EB40 a partir de e'appareil No. 502
 * EB60 ab Geräte Nr. 757
 * EB60 from unit No. 757
 * EB60 a partir de e'appareil No. 757
 * EB100 ab Geräte Nr. 479
 * EB100 from unit No. 479
 * EB100 a partir de e'appareil No. 479

* EBC80 ab Geräte Nr. 401
 * EBC80 from unit No. 401
 * EBC80 a partir de e'appareil No. 401
 * EBC100 ab Geräte Nr. 407
 * EBC100 from unit No. 407
 * EBC100 a partir de e'appareil No. 407
 * EBC120 ab Geräte Nr. 419
 * EBC120 from unit No. 419
 * EBC120 a partir de e'appareil No. 419

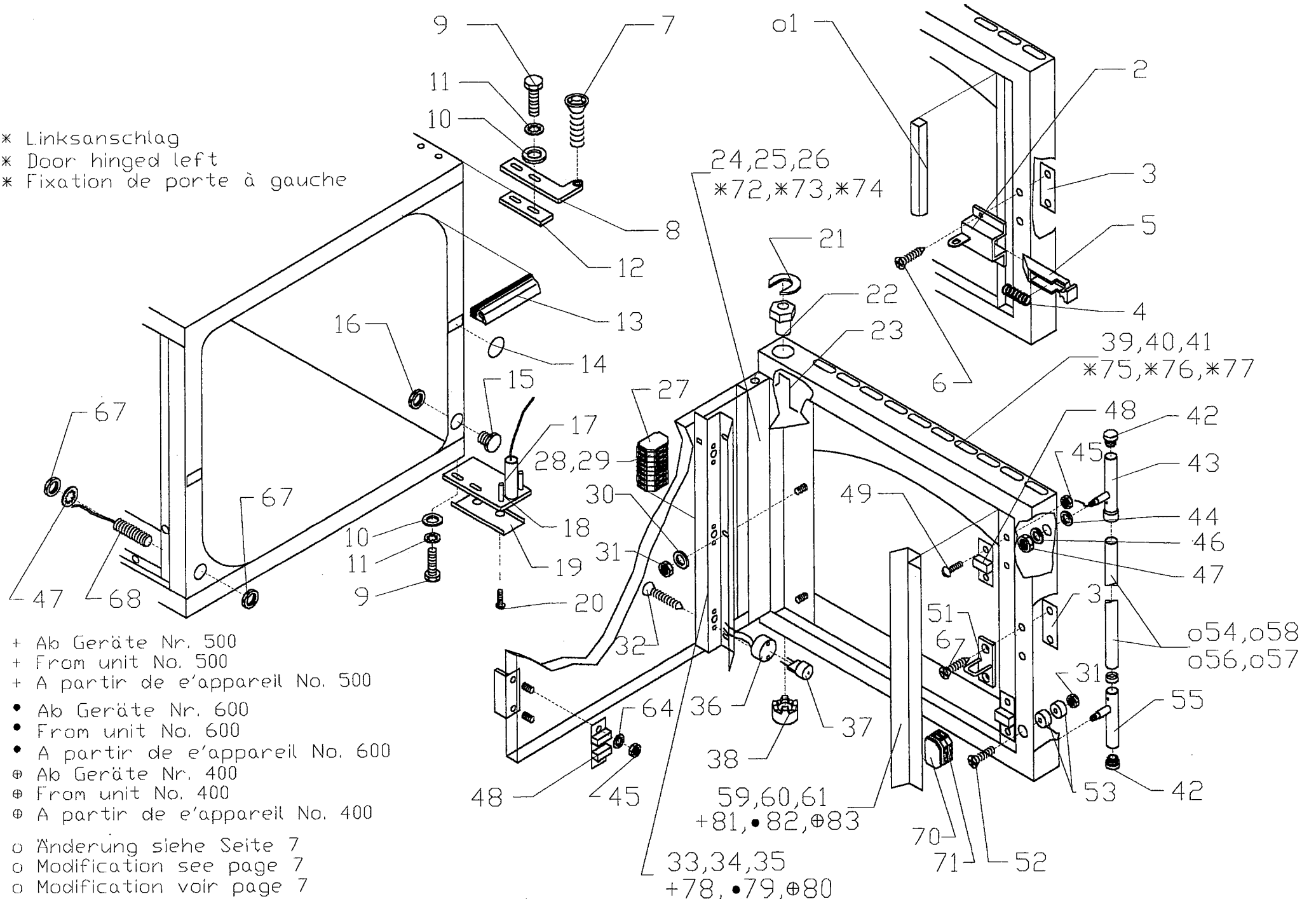
Backmaster EB EBC

Pos.	Article no.	Description	EB 40	EB 60	EB100	EBC 80	EBC 100	EBC 120	electron	digital
1	482036	Electric assembly plate EB	●	●	●	●	●	●	●	●
2	308018	interference filter	●	●	●	●	●	●	●	●
3	505030	hex nut ISO 4032 M3 V4A	●	●	●	●	●	●	●	●
4	508005	Washer DIN 125 A 3,2 V2A	●	●	●	●	●	●	●	●
5	412081	distance bushing	●	●	●	●	●	●	●	●
6	371010	end clamp	●	●	●	●	●	●	●	●
7	362004	identification flap "earthing"	●	●	●	●	●	●	●	●
8	362005	identification flap "N"	●	●	●	●	●	●	●	●
9	362006	identification flap L1	●	●	●	●	●	●	●	●
10	362007	identification flap L2	●	●	●	●	●	●	●	●
11	362008	identification flap L3	●	●	●	●	●	●	●	●
12	371057	end plate	●	●	●	●	●	●	●	●
13	371055	Connecting strip	●	●	●	●	●	●	●	●
14	371054	connecting strip	●	●	●	●	●	●	●	●
15	371056	connecting strip	●	●	●	●	●	●	●	●
16	306019	Rubber socket black PG 16	●	●	●	●	●	●	●	●
17	371041	clamp	●	●	●	●	●	●	●	●
18	371040	clamp	●	●	●	●	●	●	●	●
19	500091	Oval-head screw DIN 7985 M	●	●	●	●	●	●	●	●
20	371039	end plate	●	●	●	●	●	●	●	●
21	336017	safety temp.-limit	●	●	●	●	●	●	●	●
22	505032	hex nut ISO 4032 M6 V4A	●	●	●	●	●	●	●	●
23	510015	toothed disk DIN 6797 J6,4 V2A	●	●	●	●	●	●	●	●
24	508013	Washer DIN 125 A 6,4 V2A	●	●	●	●	●	●	●	●
25	442165	Water supply tube EB electric box	●	●	●	●	●	●	●	●
26	425126	O-ring 21,8x3,53 Viton	●	●	●	●	●	●	●	●
27	422065	Tightening clamp s/s multiple us	●	●	●	●	●	●	●	●
28	422017	hose clip D 14	●	●	●	●	●	●	●	●
29	444055	Silicone hose 6X3 transparent	●	●	●	●	●	●	●	●
30	478068	Motor insulation plate EB 40	●			●	●	●	●	●
31	478067	Motor insulation plate EB 60		●			●	●	●	●
32	478066	Motor insulation plate EB 100			●			●	●	●
33	478075	Motor stiffening plate EB 40	●			●		●	●	●
34	478076	Motor stiffening plate EB 60		●			●	●	●	●
35	478077	Motor stiffening plate EB 100			●			●	●	●
36	427021	copper gasket, heating element	●	●	●	●	●	●	●	●
37	318082	Heater element 2.30 kW 230V,sealir	●	●	●	●	●	●	●	●
38	318045	heating element; 1,45kw 230V, ELH	●	●		●	●	●	●	●

Pos.	Article no.	Description	EB 40	EB 60	EB100	EBC 80	EBC 100	EBC 120	electron	digital
39	442164	Water supply pipe EB 40 to oven cav	●	●			●	●	●	●
40	392028	Fan wheel EB reinforced constructio	●	●			●	●	●	●
41	500048	hex screw ISO 4017 M10 x 16 V	●	●	●	●	●	●	●	●
42	510017	toothed disk DIN 6797 J10,5 V2A	●	●	●	●	●	●	●	●
43	508014	Washer DIN 125 A 10,5 V2A	●	●	●	●	●	●	●	●
44	412075	distribution bushing humidifier,	●	●	●	●	●	●	●	●
45	392022	Fan wheel EB 40 280 x 80	●				●	●	●	●
46	392021	Fan wheel EB 60/100 350 x80		●	●		●	●	●	●
47	412089	shaft packing flange E MD/MMD	●	●	●	●	●	●	●	●
48	425066	o-ring 34,59 x 2,62 viton SH 75	●	●	●	●	●	●	●	●
49	425063	Shaft packing ring 17/16x41x3	●	●	●	●	●	●	●	●
50	500095	Oval-head screw DIN 7985 M 3x10 V2	●	●	●	●	●	●	●	●
51	412153	Space bushing for fan wheel EB r		●	●		●	●	●	●
52	500147	countersunk screw M4x16 stainless st	●	●	●	●	●	●	●	●
53	412037	shaft packing gasket A MD/MMD 6	●	●	●	●	●	●	●	●
54	412139	Motor distance bushing EB	●	●	●	●	●	●	●	●
55	505079	nut, heating element	●	●	●	●	●	●	●	●
56	510019	toothed disk DIN 6797 J14,5 V2A	●	●	●	●	●	●	●	●
57	427038	copper gasket	●	●	●	●	●	●	●	●
58	500009	hex screw ISO 4014 M8 x 50 V2	●	●	●	●	●	●	●	●
59	390044	Motor EB 40/60/100 rotary curre	●	●	●	●	●	●	●	●
60	505033	hex nut ISO 4032 M8 V4A	●	●	●	●	●	●	●	●
61	510016	toothed disk DIN 6797 J8,4 V2A	●	●	●	●	●	●	●	●
62	508017	Washer DIN 125 A 8,4 V2A	●	●	●	●	●	●	●	●
63	440007	angle threaded socket	●	●	●	●	●	●	●	●
64	436040	Solenoid-valve typ 2000 2/2-way dir	●	●	●	●	●	●	●	●
65	440092	double nipple G 1/8	●	●	●	●	●	●	●	●
66	440083	angle screw stud	●	●	●	●	●	●	●	●
67	436009	pressure reducer (+440092 z	●	●	●	●	●	●	●	●
68	348009	pressure gauge 0-4,0 bar	●	●	●	●	●	●	●	●
70	440046	reduction nipple 253 M 3/8" - 1/8"	●	●	●	●	●	●	●	●
71	440039	reduction piece A 3/4" 3/8	●	●	●	●	●	●	●	●
72	418017	mudguard	●	●	●	●	●	●	●	●
73	306030	Screwing PG 21 with traction reli	●	●	●	●	●	●	●	●
74	483035	earthing terminal	●	●	●	●	●	●	●	●
75	442169	Water supply pipe EB 40 to oven cav	●				●	●	●	●
76	500043	hex screw ISO 4017 M6 x 10 V2	●	●	●	●	●	●	●	●



* Linksanschlag
 * Door hinged left
 * Fixation de porte à gauche



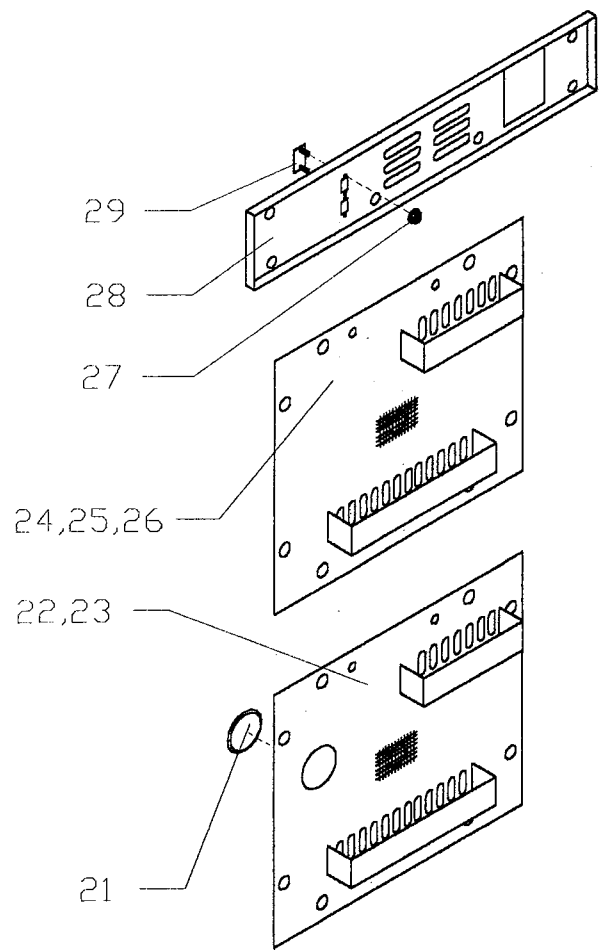
- + Ab Geräte Nr. 500
- + From unit No. 500
- + A partir de e'appareil No. 500
- Ab Geräte Nr. 600
- From unit No. 600
- A partir de e'appareil No. 600
- ⊕ Ab Geräte Nr. 400
- ⊕ From unit No. 400
- ⊕ A partir de e'appareil No. 400

o Änderung siehe Seite 7
 o Modification see page 7
 o Modification voir page 7

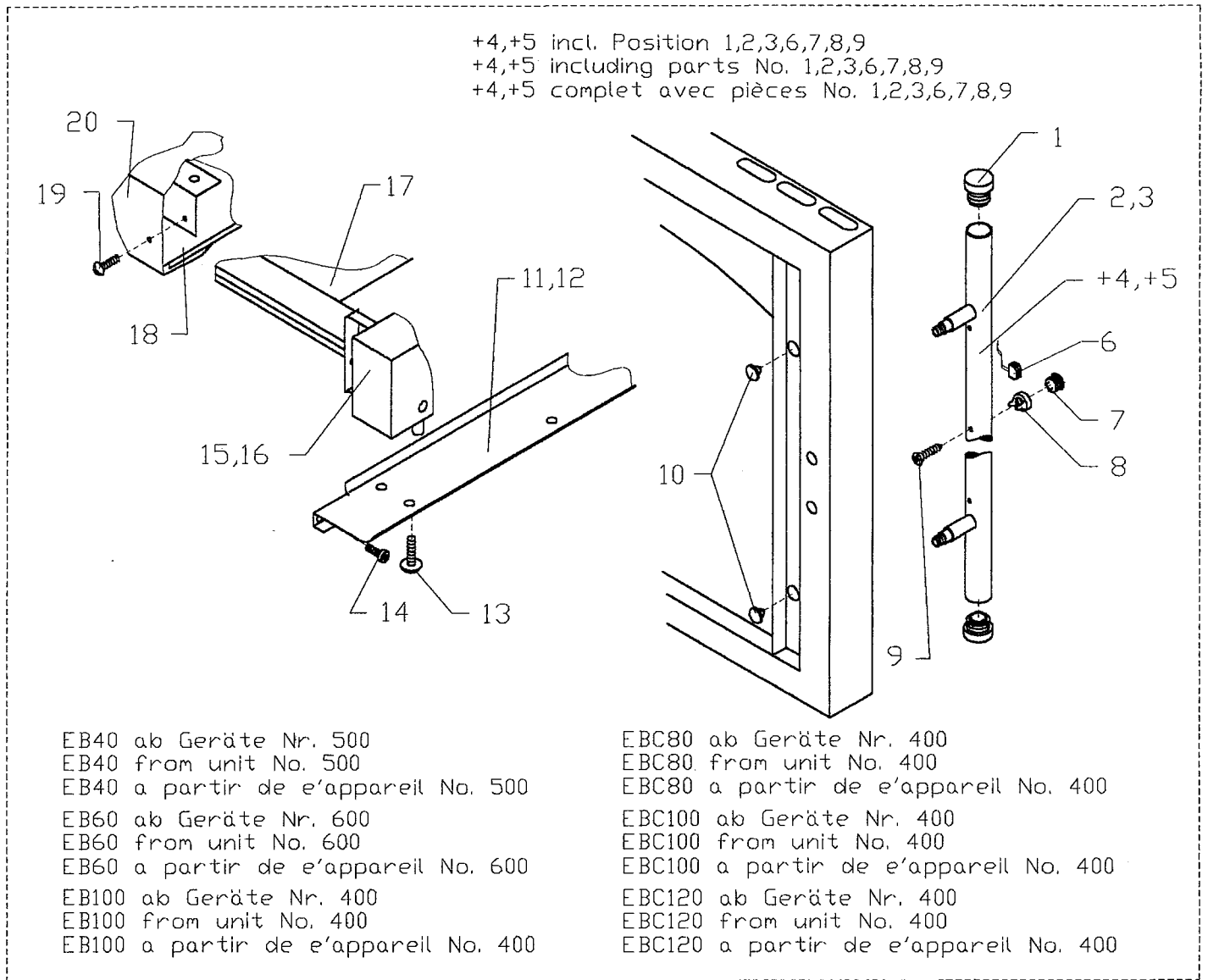
Backmaster EB EBC

Pos.	Article no.	Description	EB 40	EB 60	EB100	EBC 80	EBC 100	EBC 120	electron	digital
1	425139	Buffer inner door pane EB - replac	●	●	●	●	●	●	●	●
2	380062	Lock EB	●	●	●	●	●	●	●	●
3	380063	Counter plate lock EB	●	●	●	●	●	●	●	●
4	416050	Spring for lock EB	●	●	●	●	●	●	●	●
5	380067	Slider EB	●	●	●	●	●	●	●	●
6	500133	countersunk screw DIN 965 M5 x 16 V2	●	●	●	●	●	●	●	●
7	500243	Countersunk screw door hinge EB	●	●	●	●	●	●	●	●
8	401044	Upper door bearing EB	●	●	●	●	●	●	●	●
9	500047	hex screw ISO 4017 M8 x 30 V2	●	●	●	●	●	●	●	●
10	508017	Washer DIN 125 A 8,4 V2A	●	●	●	●	●	●	●	●
11	510016	toothed disk DIN 6797 J8,4 V2A	●	●	●	●	●	●	●	●
12	401047	Distance plate door bearing EB	●	●	●	●	●	●	●	●
13	425127	Door gasket EB	●	●	●	●	●	●	●	●
14	483150	Dummy cover EB	●	●	●	●	●	●	●	●
15	500069	blind screw M 12 x 20	●	●	●	●	●	●	●	●
16	505027	hex nut ISO 4032 M12 V4A	●	●	●	●	●	●	●	●
17	401042	Lower door bearing EB	●	●	●	●	●	●	●	●
19	407058	Cover EB	●	●	●	●	●	●	●	●
20	500067	cup screw M 4 x 12	●	●	●	●	●	●	●	●
21	508047	Locking plate EB door angle	●	●	●	●	●	●	●	●
22	412131	Eccentric bearing EB	●	●	●	●	●	●	●	●
23	420029	Hinge hook EB	●	●	●	●	●	●	●	●
24	472072	Inner door compl. EB 40	●			●	●	●	●	
25	472061	Inner door compl. EB 60		●			●	●	●	
26	472066	Inner door compl. EB 100			●			●	●	
27	371039	end plate	●	●	●	●	●	●	●	●
28	371037	clamp	●	●	●	●	●	●	●	●
29	371038	clamp	●	●	●	●	●	●	●	●
30	508012	Washer DIN 125 A 4,3 V2A	●	●	●	●	●	●	●	●
31	505031	Hex nut ISO 4032 M4 V4A DIN 934	●	●	●	●	●	●	●	●
32	500095	Oval-head screw DIN 7985 M 3x10 V2	●	●	●	●	●	●	●	●
33	472046	Reflector left EB 40	●			●	●	●	●	
34	472044	Reflector left EB 60		●			●	●	●	
35	472042	Reflector left EB 100			●			●	●	
36	314029	halogen lamp-holder witch socke	●	●	●	●	●	●	●	●
37	312021	halogen lamp 12V 20W	●	●	●	●	●	●	●	●
38	401038	Sleeve d=6, D=8	●	●	●	●	●	●	●	●
39	472055	Outer door compl. EB 40	●			●	●	●	●	

Pos.	Article no.	Description	EB 40	EB 60	EB100	EBC 80	EBC 100	EBC 120	electron	digital
40	472056	Outer door complete EB 60		●			●	●	●	●
41	472057	Outer door compl. EB 100			●			●	●	●
42	407062	Stopper D=28 black	●	●	●	●	●	●	●	●
43	380059	Door handle EB upper end piece	●	●	●	●	●	●	●	●
44	412134	Washer door handle EB	●	●	●	●	●	●	●	●
45	505030	hex nut ISO 4032 M3 V4A	●	●	●	●	●	●	●	●
46	510017	toothed disk DIN 6797 J10,5 V2A	●	●	●	●	●	●	●	●
47	505034	hex nut ISO 4032 M10 V4A	●	●	●	●	●	●	●	●
48	380061	Spring catch for inner window EB	●	●	●	●	●	●	●	●
49	500191	cheese head screw DIN 7985,	●	●	●	●	●	●	●	●
51	380062	Lock EB	●	●	●	●	●	●	●	●
52	500132	countersunk screw DIN 965 M4 x 25 V2	●	●	●	●	●	●	●	●
53	322010	Magnet 20x10 with red cap	●	●	●	●	●	●	●	●
54	630035	AG door handle EB 40	●			●			●	
55	380056	Door handle EB, lower end piece	●	●	●	●	●	●	●	●
56	403052	Sliding tube door handle EB 40	●			●	●		●	●
57	403046	Sliding tube door handle EB 60		●	●		●	●	●	●
58	630034	AG door handle EB 60		●	●		●	●	●	●
59	472045	Reflector right EB 40	●			●	●		●	●
60	472043	Reflector right EB 60		●			●	●	●	●
61	472041	Reflector right EB 100			●				●	●
64	510020	Toothed disk DIN 6797 J3,2 V2A	●	●	●	●	●	●	●	●
67	505100	Hexagon nut M10x1 flat form V2	●	●	●	●	●	●	●	●
68	320061	Magnetic switch 2,5m D=8x60	●	●	●	●	●	●	●	●
72	472060	Inner door compl. EB 40 left hand h	●			●	●		●	●
73	472062	Inner door compl. EB 60 Left hand h		●			●	●	●	●
74	472063	Inner door compl. EB 100 left hand h			●				●	●
75	472070	Outer door compl. EB 40 left hand h	●			●	●		●	●
76	472071	Outer door compl. EB 60 left hand h		●			●	●	●	●
77	472065	Outer door compl. EB 100 left hand h			●				●	●
78	472118	Reflector left side EB 40/00	●			●	●		●	●
79	472120	Reflector left side EB 60/00		●				●	●	●
80	472122	Reflector left side EB 100/00			●				●	●
81	472117	Reflector right side EB 40/00	●			●	●		●	●
82	472119	Reflector right side EB 60/00		●				●	●	●
83	472121	Reflector right side EB 100/00			●				●	●



EB40 ab Geräte Nr. 502
 EB40 from unit No. 502
 EB40 a partir de e'appareil No. 502
 EB60 ab Geräte Nr. 757
 EB60 from unit No. 757
 EB60 a partir de e'appareil No. 757



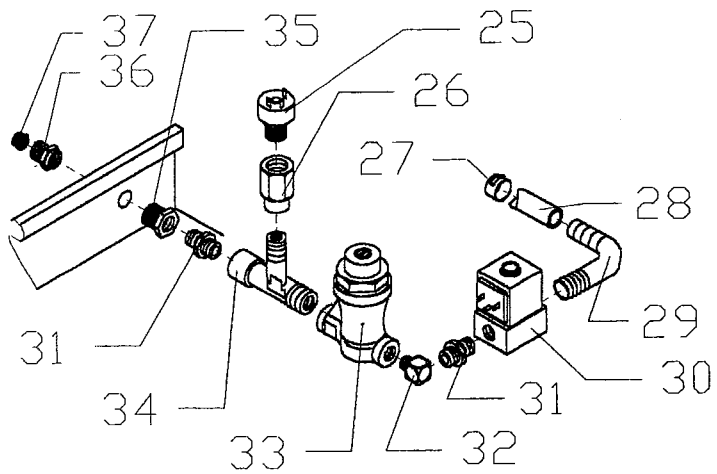
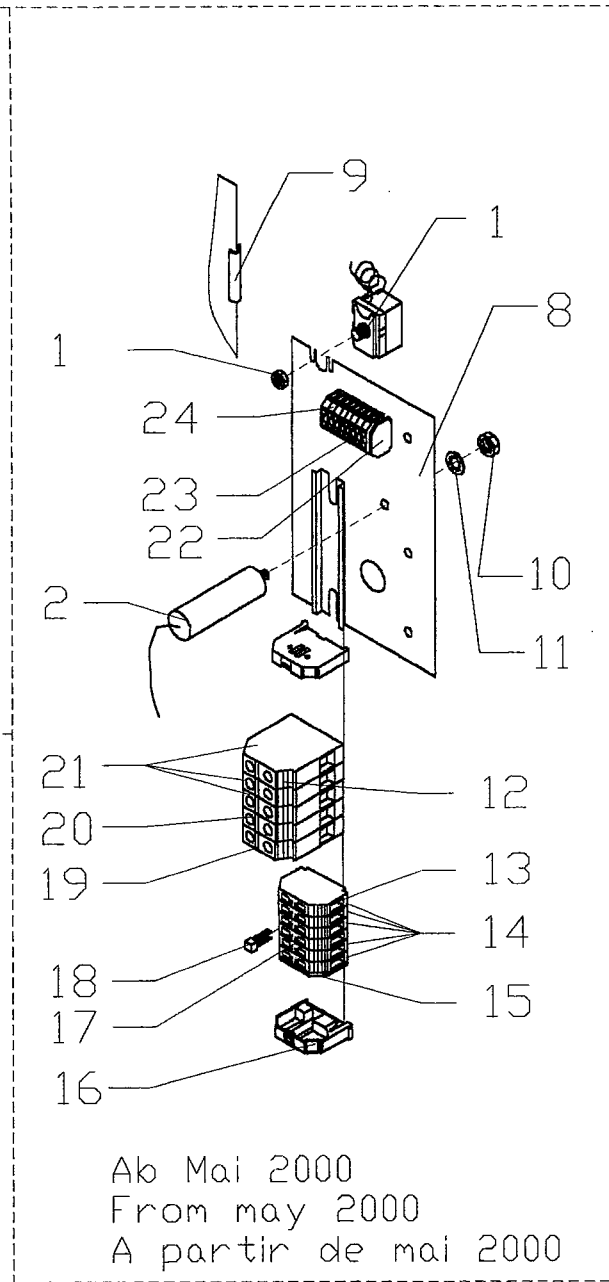
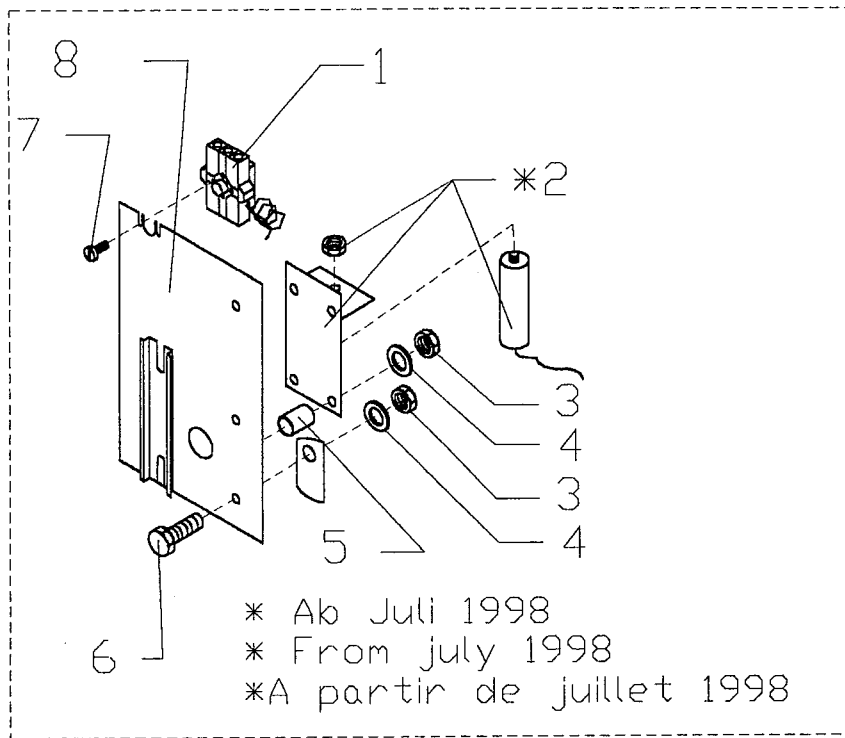
+4,+5 incl. Position 1,2,3,6,7,8,9
 +4,+5 including parts No. 1,2,3,6,7,8,9
 +4,+5 complet avec pièces No. 1,2,3,6,7,8,9

EB40 ab Geräte Nr. 500
 EB40 from unit No. 500
 EB40 a partir de e'appareil No. 500
 EB60 ab Geräte Nr. 600
 EB60 from unit No. 600
 EB60 a partir de e'appareil No. 600
 EB100 ab Geräte Nr. 400
 EB100 from unit No. 400
 EB100 a partir de e'appareil No. 400

EBC80 ab Geräte Nr. 400
 EBC80 from unit No. 400
 EBC80 a partir de e'appareil No. 400
 EBC100 ab Geräte Nr. 400
 EBC100 from unit No. 400
 EBC100 a partir de e'appareil No. 400
 EBC120 ab Geräte Nr. 400
 EBC120 from unit No. 400
 EBC120 a partir de e'appareil No. 400

EB100 ab Geräte Nr. 479
 EB100 from unit No. 479
 EB100 a partir de e'appareil No. 4
 EBC80 ab Geräte Nr. 401
 EBC80 from unit No. 401
 EBC80 a partir de e'appareil No. 401

EBC100 ab Geräte Nr. 407
 EBC100 from unit No. 407
 EBC100 a partir de e'appareil No. 407
 EBC120 ab Geräte Nr. 419
 EBC120 from unit No. 419
 EBC120 a partir de e'appareil No. 419



EB40 ab Geräte Nr. 510
 EB40 from unit No. 510
 EB40 a partir de e'appareil No. 510

EB60 ab Geräte Nr. 628
 EB60 from unit No. 628
 EB60 a partir de e'appareil No. 628

The logo for 'eloma' is displayed in a bold, lowercase, sans-serif font. The letters are white and are set against a solid black rectangular background. A thin black line extends from the top of the 'e' to the right, then turns down and then right again, ending at the top of the 'a'.

Eloma GmbH
Otto-Hahn-Strasse 10
82212 Malsach
Germany

Phone: +49(0)8141 395-0
Fax: +49(0)8141 395-130
www.eloma.com
info@eloma.com

22.10.2002

Article no. 906053

Edition 8/01//eh/bre

Technical modifications reserved!