

**eloma**

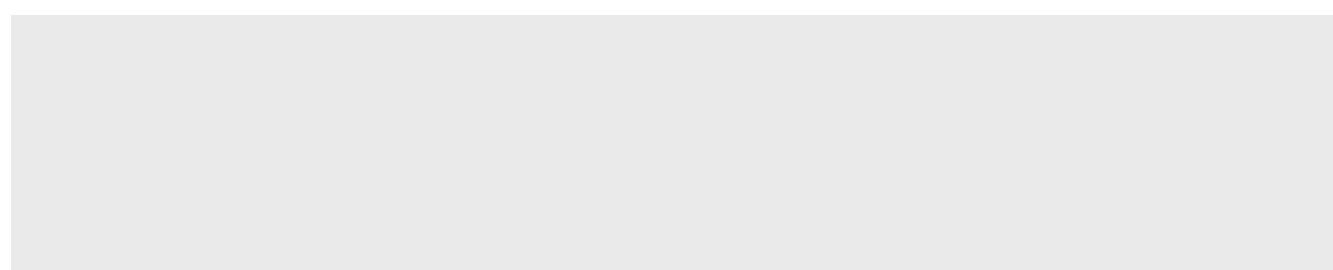
---

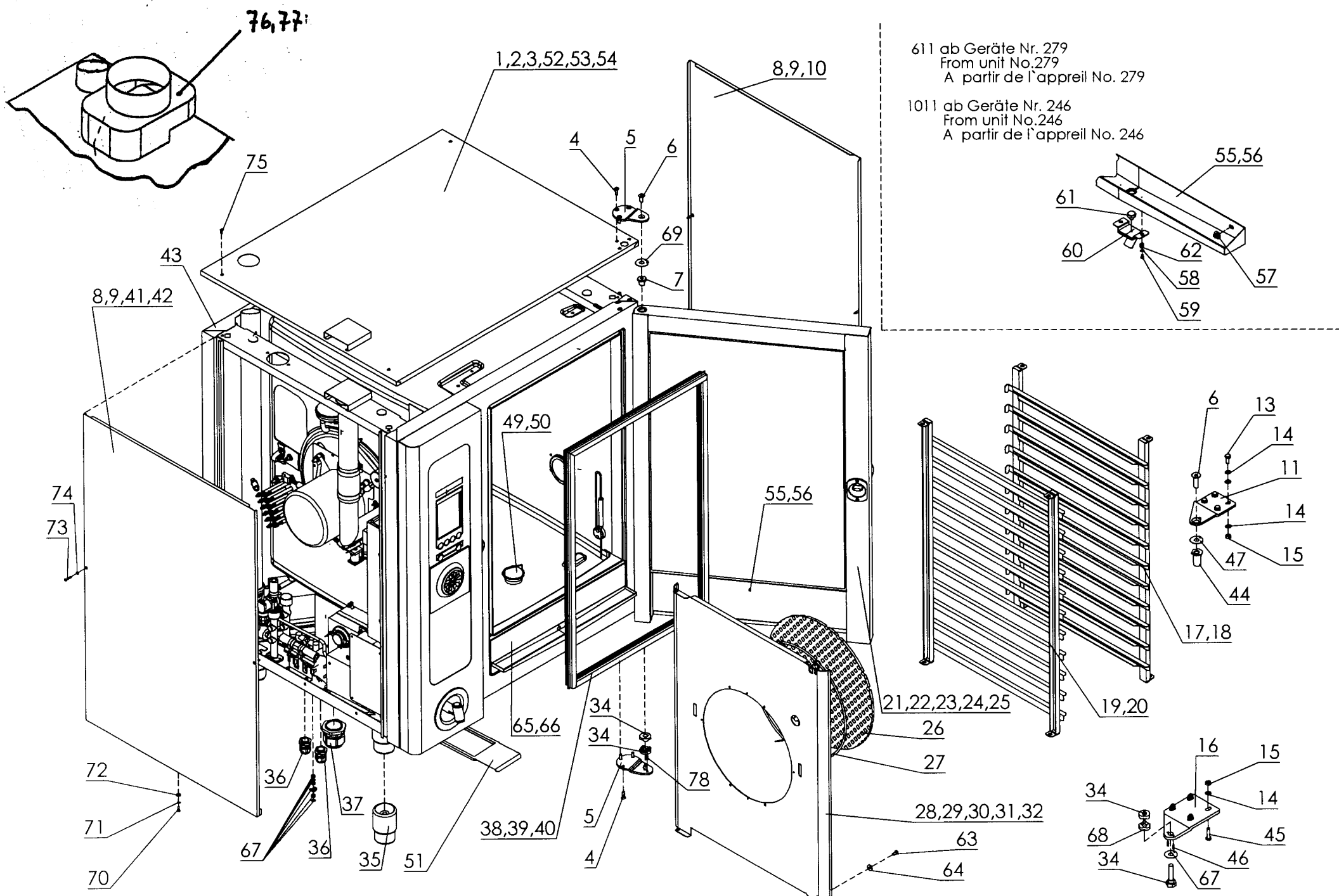
**Sparepart list**

Combi Steamers Multimax A-B

Genius

Genius Gaz





611 ab Geräte Nr. 279  
 From unit No.279  
 A partir de l'appareil No. 279

1011 ab Geräte Nr. 246  
 From unit No.246  
 A partir de l'appareil No. 246

21,22,23,24,25

26

27

28,29,30,31,32

63

64

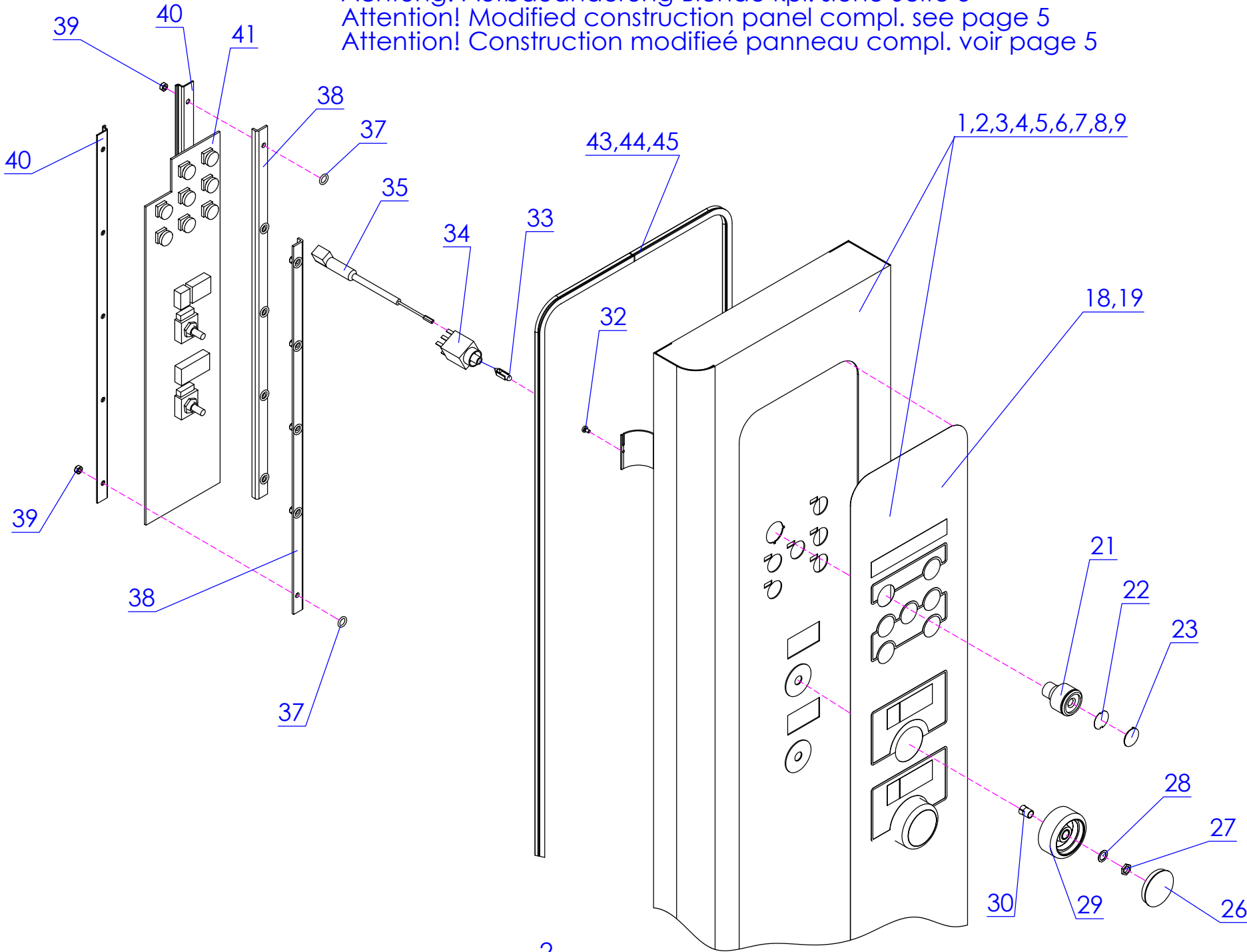
1011 Pos. 26 entfällt ab Geräte Nr. 916  
 Part No. 26 dropped from unit No. 916  
 Pièce No. 26 supprimées à partir de l'appareil No. 916

**MA /MB/Genius /Genius Gaz/ 6-11 10-11 20-11**

| Pos. | Article no. | Description                            | Genius Gaz | Multimax A | Multimax B | Genius | Autoclean | 6-11 | 10-11 | 20-11 |
|------|-------------|--|------------|------------|------------|--------|-----------|------|-------|-------|
| 1    | 741604      | Case lid 6/10-11 hinged right d2k      |            | ●          | ●          | ●      | ●         | ●    | ●     |       |
| 2    | 740942      | Case lid 6/10-11 hinged left d2k       |            | ●          | ●          | ●      | ●         | ●    | ●     |       |
| 3    | 741825      | Case lid 20-11 d2k                     |            | ●          | ●          | ●      | ●         |      |       | ●     |
| 4    | 741175      | Countersunk screw M6x20 DIN 7991       | ●          | ●          | ●          | ●      | ●         | ●    | ●     |       |
| 5    | 768413      | Hing but compl. d2k 610-11             | ●          | ●          | ●          | ●      | ●         | ●    | ●     |       |
| 6    | e503081     | Countersunk screw DIN7991 M8 x 20, V2  | ●          | ●          | ●          | ●      | ●         | ●    | ●     |       |
| 7    | 741434      | Cam, door hinge topside 6/10-11 d2k    | ●          | ●          | ●          | ●      | ●         | ●    | ●     |       |
| 8    | 741159      | Side panel 6-11 d2k                    | ●          | ●          | ●          | ●      | ●         | ●    |       |       |
| 9    | 741655      | Side panel 10-11 d2k                   | ●          | ●          | ●          | ●      | ●         |      | ●     |       |
| 10   | 741043      | Side panel 20-11 d2k                   | ●          | ●          | ●          | ●      | ●         |      |       | ●     |
| 11   | 745936      | Upper hinge butt 2011/1221/            | ●          | ●          | ●          | ●      | ●         |      |       | ●     |
| 13   | e500046     | Hexagon cap screw ISO4017 M8 x 20 V2   | ●          | ●          | ●          | ●      | ●         |      |       | ●     |
| 14   | e510016     | Toothed disk DIN 6797 J 8,4 V2A        | ●          | ●          | ●          | ●      | ●         |      |       | ●     |
| 15   | e505033     | Hexagonal nut ISO 4032 M8 V2A DI       | ●          | ●          | ●          | ●      | ●         |      |       | ●     |
| 16   | 772437      | Lower hinge butt 20-11,12/20           | ●          | ●          | ●          | ●      | ●         |      |       | ●     |
| 17   | 740292      | Hang-in rack 6-11 d2k right GN         | ●          | ●          | ●          | ●      | ●         | ●    |       |       |
| 18   | 740357      | Hang-in rack 1011 d2k right GN         | ●          | ●          | ●          | ●      | ●         |      | ●     |       |
| 19   | 740306      | Hang-in rack 6-11 d2k left GN          | ●          | ●          | ●          | ●      | ●         | ●    |       |       |
| 20   | 740365      | Hang-in rack 1011 d2k left GN          | ●          | ●          | ●          | ●      | ●         |      | ●     |       |
| 21   | 752002      | Door 611 hinged right d2k              | ●          | ●          | ●          | ●      | ●         | ●    |       |       |
| 22   | 752010      | Door 611 hinged left d2k               | ●          | ●          | ●          | ●      | ●         | ●    |       |       |
| 23   | 752169      | Door 1011 hinged right d2k             | ●          | ●          | ●          | ●      | ●         |      | ●     |       |
| 24   | 752371      | Door 1011 hinged left d2k              | ●          | ●          | ●          | ●      | ●         |      | ●     |       |
| 25   | 755567      | Door 2011 hinged right d2k             | ●          | ●          | ●          | ●      | ●         |      |       | ●     |
| 26   | 760749      | Fat filter 6/11 - 20/11 d2k            | ●          | ●          | ●          | ●      | ●         | ●    | ●     | ●     |
| 27   | e418021     | Protective grid, MD/MMD 20-21 D 35     | ●          | ●          | ●          | ●      | ●         | ●    | ●     | ●     |
| 28   | 743291      | Air conducting sheet cpl. right 6-11 d | ●          | ●          | ●          | ●      | ●         | ●    |       |       |
| 29   | 740438      | Air conducting sheet left compl. 6-11  | ●          | ●          | ●          | ●      | ●         | ●    |       |       |
| 30   | 743305      | Air conducting sheet comp right 10-11  | ●          | ●          | ●          | ●      | ●         |      | ●     |       |
| 31   | 740837      | Air conducting sheet left compl. 10-11 | ●          | ●          | ●          | ●      | ●         |      | ●     |       |
| 32   | 746029      | Air conducting sheet 2011 d2k          | ●          | ●          | ●          | ●      | ●         |      |       | ●     |
| 34   | e401033     | Cam disk, door bearing 20-11 / 20-11   | ●          | ●          | ●          | ●      | ●         | ●    | ●     | ●     |
| 35   | 744824      | Foot d2k 6/10-11                       | ●          | ●          | ●          | ●      | ●         | ●    | ●     |       |
| 36   | e306005     | Screwing PG 16, plastic                | ●          | ●          | ●          | ●      | ●         | ●    | ●     | ●     |
| 37   | e306007     | Screwing PG 36, grey with counte       | ●          | ●          | ●          | ●      | ●         | ●    | ●     | ●     |
| 38   | 742368      | Door sealing silicon frame 6-11        | ●          | ●          | ●          | ●      | ●         | ●    |       |       |
| 39   | 742376      | Door sealing, silicon frame 10-11      | ●          | ●          | ●          | ●      | ●         |      | ●     |       |
| 40   | 742384      | Door sealing, silicon frame 20-11      | ●          | ●          | ●          | ●      | ●         |      |       | ●     |

| Pos. | Article no. | Description                           | Genius Gaz | Multimax A | Multimax B | Genius | Autoclean | 6-11 | 10-11 | 20-11 |
|------|-------------|---------------------------------------|------------|------------|------------|--------|-----------|------|-------|-------|
| 41   | e475112     | Motor compartment 12-21               | ●          | ●          | ●          | ●      | ●         |      |       | ●     |
| 42   | 741093      | Side panel left 20-11 d2k             | ●          | ●          | ●          | ●      | ●         |      |       | ●     |
| 43   | 745049      | Back wall 20-11 d2k                   | ●          | ●          | ●          | ●      | ●         |      |       | ●     |
| 44   | e412131     | Eccentric bearing EB                  | ●          | ●          | ●          | ●      | ●         | ●    | ●     |       |
| 45   | e500278     | Hexagon cap screw M8x30 ISO 4017      | ●          | ●          | ●          | ●      | ●         |      |       | ●     |
| 46   | e512066     | Cylindrical pin DIN 7 4x6x12 Niro     | ●          | ●          | ●          | ●      | ●         |      |       | ●     |
| 47   | e512039     | Retaining plate - door bearing ED     | ●          | ●          | ●          | ●      | ●         |      |       | ●     |
| 49   | e418054     | Drain sieve ED 6/10-11                | ●          | ●          | ●          | ●      | ●         | ●    | ●     |       |
| 50   | e418053     | Drain sieve ED 20-11/ 20-21/12-2      | ●          | ●          | ●          | ●      | ●         |      |       | ●     |
| 51   | 751782      | Filter air shaft d2k                  | ●          | ●          | ●          | ●      | ●         | ●    | ●     | ●     |
| 52   | 760455      | Cover 61011 gas d2k hinged righ       | ●          |            |            |        | ●         | ●    | ●     |       |
| 53   | 760447      | Cover 61011 gas hinged left d2k       | ●          |            |            |        | ●         | ●    | ●     |       |
| 54   | 771724      | Housing lid 20-11 gas d2k             | ●          |            |            |        | ●         |      |       | ●     |
| 55   | 742198      | Drip tray 61011 compl. d2k            | ●          | ●          | ●          | ●      | ●         | ●    | ●     | ●     |
| 56   | 751995      | Drip tray assembled 61011 d2k         | ●          | ●          | ●          | ●      | ●         | ●    | ●     | ●     |
| 57   | e505077     | Disk nut M4 A 2                       | ●          | ●          | ●          | ●      | ●         | ●    | ●     | ●     |
| 58   | e508005     | Washer DIN 125 A 3,2 V2A              | ●          | ●          | ●          | ●      | ●         | ●    | ●     | ●     |
| 59   | e500191     | Oval-head screw DIN 7985, I           | ●          | ●          | ●          | ●      | ●         | ●    | ●     | ●     |
| 60   | 744670      | Plug drip tray 6/10-11 d2k            | ●          | ●          | ●          | ●      | ●         | ●    | ●     | ●     |
| 61   | 757926      | Silicone gasket drip tray d2k         | ●          | ●          | ●          | ●      | ●         | ●    | ●     | ●     |
| 62   | e416076     | Pressure spring drip tray 6/10-11 d2k | ●          | ●          | ●          | ●      | ●         | ●    | ●     | ●     |
| 63   | e500044     | Hexagon cap screw ISO4017 M6 x 12 V2  | ●          | ●          | ●          | ●      | ●         | ●    | ●     | ●     |
| 64   | e508033     | Washer DIN 9021 A 6,4 V2A             | ●          | ●          | ●          | ●      | ●         | ●    | ●     | ●     |
| 65   | 761087      | Front cover compl. banquet sy         | ●          | ●          | ●          | ●      | ●         | ●    | ●     | ●     |
| 66   | 745693      | Front cover compl. 61011 d2k          | ●          | ●          | ●          | ●      | ●         | ●    | ●     | ●     |
| 67   | e600453     | AG potential equalisation d2k         | ●          | ●          | ●          | ●      | ●         | ●    | ●     | ●     |
| 68   | 772453      | Cam disk, bottom d2k 12/20-2          | ●          | ●          | ●          | ●      | ●         |      |       | ●     |
| 69   | 758868      | Locking washer                        | ●          | ●          | ●          | ●      | ●         | ●    | ●     | ●     |
| 70   | e500196     | mushroom head square neck bolt        | ●          | ●          | ●          | ●      | ●         | ●    | ●     | ●     |
| 71   | e510013     | Toothed disk DIN 6797 J 4,3 V2A       | ●          | ●          | ●          | ●      | ●         | ●    | ●     | ●     |
| 72   | e508031     | Washer DIN 9021 A 4,3 V2A             | ●          | ●          | ●          | ●      | ●         | ●    | ●     | ●     |
| 73   | e500153     | Oval flat-head screw M4 x 20 V2       | ●          | ●          | ●          | ●      | ●         | ●    | ●     | ●     |
| 74   | e510012     | Fan disk DIN 6798 V 4,3 V2A           | ●          | ●          | ●          | ●      | ●         | ●    | ●     | ●     |
| 75   | e500178     | Oval flat-head screw M4 x 12 V2       | ●          | ●          | ●          | ●      | ●         | ●    | ●     | ●     |
| 76   | 771538      | Flow safeguard 1221 2011 2021 gas d   | ●          |            |            |        |           |      |       | ●     |
| 77   | 766682      | Flow safeguard gas d2k                | ●          |            |            |        |           | ●    | ●     |       |
| 78   | 757209      | Cylindrical pin DIN 7 4m6x8 V2A       | ●          | ●          | ●          | ●      | ●         | ●    | ●     | ●     |

Achtung! Aufbauänderung Blende kpl. siehe Seite 5  
Attention! Modified construction panel compl. see page 5  
Attention! Construction modifiée panneau compl. voir page 5

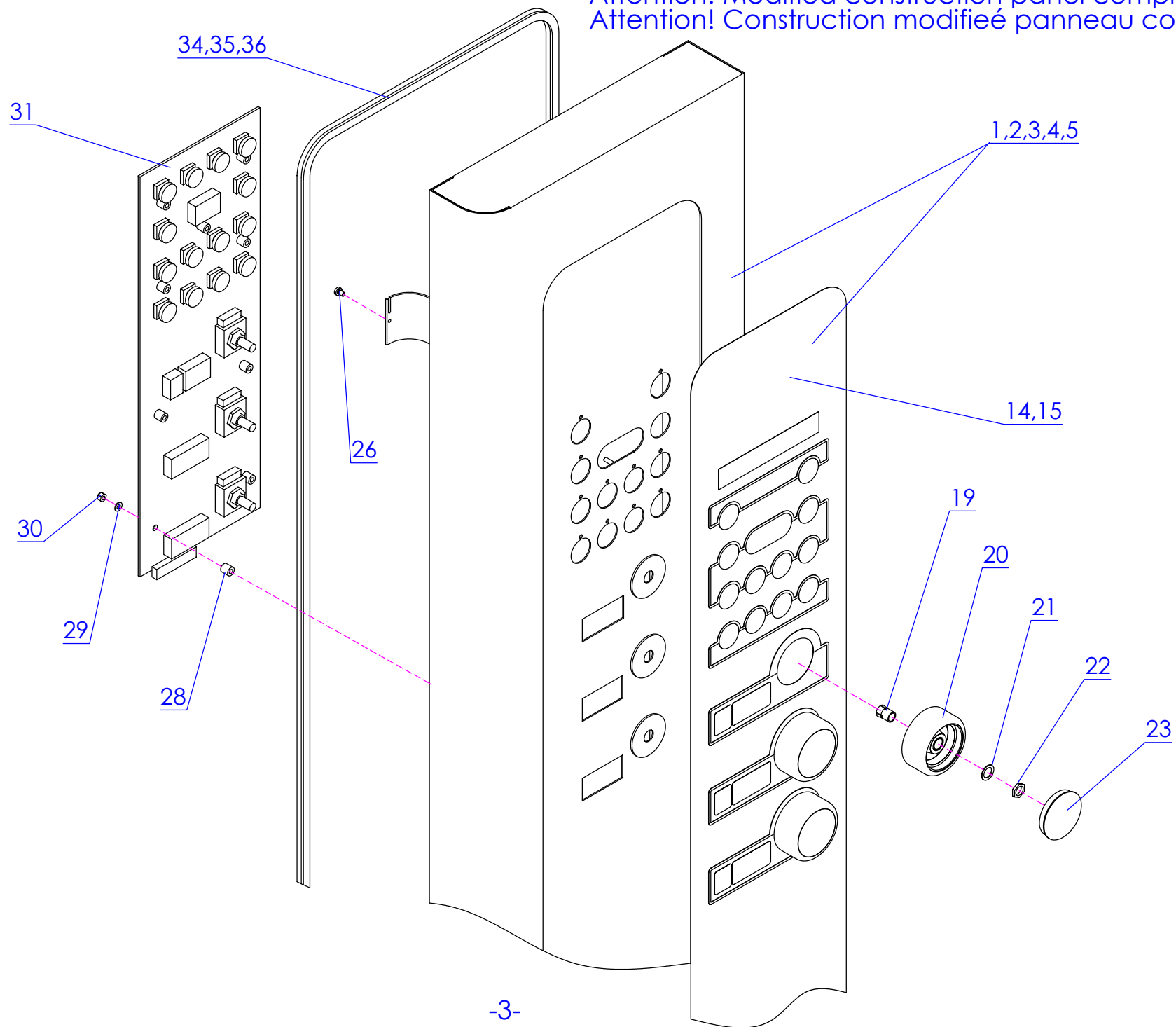


**MA /MB/Genius /Genius Gaz/ 6-11 10-11 20-11**

| Pos. | Article no. | Description                             | Genius Gaz | Multimax A | Multimax B | Genius | Autoclean | 6-11 | 10-11 | 20-11 |
|------|-------------|---|------------|------------|------------|--------|-----------|------|-------|-------|
| 1    | 759430      | Panel complete MA 611 d2k               |            | ●          |            |        |           | ●    |       |       |
| 2    | 759465      | Panel compl. MA 1011                    |            | ●          |            |        |           |      | ●     |       |
| 3    | 759503      | Panel compl. MA 2011                    |            | ●          |            |        |           |      |       | ●     |
| 4    | 759589      | Panel compl. MA 611 hinged left         |            | ●          |            |        |           | ●    |       |       |
| 5    | 759619      | Panel compl. MA 1011 hinged left        |            | ●          |            |        |           |      | ●     |       |
| 6    | 748188      | Panel compl. MA 611 with tube roller, f |            | ●          |            |        |           | ●    |       |       |
| 7    | 748196      | Panel compl. MA 1011 with tube roller f |            | ●          |            |        |           |      | ●     |       |
| 8    | 759643      | Panel compl. MA 611 with tube roller    |            | ●          |            |        |           | ●    |       |       |
| 9    | 748218      | Panel compl. MA 1011 with tube roller,  |            | ●          |            |        |           |      | ●     |       |
| 18   | 743739      | Adhesive panel MA 6-11/ 12-21 458x      |            | ●          |            |        |           | ●    |       |       |
| 19   | 743755      | Adhesive panel MA 10/2011 20-21 738x    |            | ●          |            |        |           |      | ●     | ●     |
| 21   | e320062     | Pusher EB 30 dig./B 6-23 round          |            | ●          |            |        |           | ●    | ●     | ●     |
| 22   | 743720      | Label round and red Joker B d2k         |            | ●          |            |        |           | ●    | ●     | ●     |
| 23   | e320066     | Touch key cap round EB 30 dig./B 6-23   |            | ●          |            |        |           | ●    | ●     | ●     |
| 26   | 748781      | Cap small silver d2k D 37 mm            |            | ●          |            |        |           | ●    | ●     | ●     |
| 27   | 758892      | Nut rotary knob                         |            | ●          |            |        |           | ●    | ●     | ●     |
| 28   | 758884      | Washer rotary knob                      |            | ●          |            |        |           | ●    | ●     | ●     |
| 29   | 743690      | Rotary knob MA/MB blue RAL 5003 c       |            | ●          |            |        |           | ●    | ●     | ●     |
| 30   | 748978      | Collet rotary knob 1/4" (D 6,35         |            | ●          |            |        |           | ●    | ●     | ●     |
| 32   | e500191     | Oval-head screw DIN 7985, I             |            | ●          |            |        |           | ●    | ●     | ●     |
| 33   | e312012     | Bulb 48 V 1,2 W                         |            | ●          |            |        |           | ●    | ●     | ●     |
| 34   | e320026     | Contactora AFL                          |            | ●          |            |        |           | ●    | ●     | ●     |
| 35   | e308022     | Pre-condensator                         |            | ●          |            |        |           | ●    | ●     | ●     |
| 37   | e425026     | O-ring D 9,25 x 1,78 EPDM               |            | ●          |            |        |           | ●    | ●     | ●     |
| 38   | e483059     | Mounting rail, L-form switch pane       |            | ●          |            |        |           | ●    | ●     | ●     |
| 39   | 749699      | Hexagonal nut DIN 985 M4 self-loc       |            | ●          |            |        |           | ●    | ●     | ●     |
| 40   | 749737      | Mounting rail, switch panel z-forr      |            | ●          |            |        |           | ●    | ●     | ●     |
| 41   | e340037     | Control key board EDA/MA                |            | ●          |            |        |           | ●    | ●     | ●     |
| 43   | 742295      | Sealing frame 6-11 control unit         |            | ●          |            |        |           | ●    |       |       |
| 44   | 742309      | Sealing frame 10-11 control unit        |            | ●          |            |        |           |      | ●     |       |
| 45   | 742317      | Sealing frame 20-11 control unit        |            | ●          |            |        |           |      |       | ●     |
|      |             |   |            |            |            |        |           |      |       |       |
|      |             |   |            |            |            |        |           |      |       |       |
|      |             |   |            |            |            |        |           |      |       |       |
|      |             |   |            |            |            |        |           |      |       |       |
|      |             |   |            |            |            |        |           |      |       |       |
|      |             |   |            |            |            |        |           |      |       |       |
|      |             |   |            |            |            |        |           |      |       |       |

| Pos. | Article no. | Description | Genius Gaz | Multimax A | Multimax B | Genius | Autoclean | 6-11 | 10-11 | 20-11 |
|------|-------------|-------------|------------|------------|------------|--------|-----------|------|-------|-------|
|      |             |             |            |            |            |        |           |      |       |       |
|      |             |             |            |            |            |        |           |      |       |       |
|      |             |             |            |            |            |        |           |      |       |       |
|      |             |             |            |            |            |        |           |      |       |       |
|      |             |             |            |            |            |        |           |      |       |       |
|      |             |             |            |            |            |        |           |      |       |       |
|      |             |             |            |            |            |        |           |      |       |       |
|      |             |             |            |            |            |        |           |      |       |       |
|      |             |             |            |            |            |        |           |      |       |       |
|      |             |             |            |            |            |        |           |      |       |       |
|      |             |             |            |            |            |        |           |      |       |       |
|      |             |             |            |            |            |        |           |      |       |       |
|      |             |             |            |            |            |        |           |      |       |       |
|      |             |             |            |            |            |        |           |      |       |       |
|      |             |             |            |            |            |        |           |      |       |       |
|      |             |             |            |            |            |        |           |      |       |       |
|      |             |             |            |            |            |        |           |      |       |       |
|      |             |             |            |            |            |        |           |      |       |       |
|      |             |             |            |            |            |        |           |      |       |       |
|      |             |             |            |            |            |        |           |      |       |       |
|      |             |             |            |            |            |        |           |      |       |       |

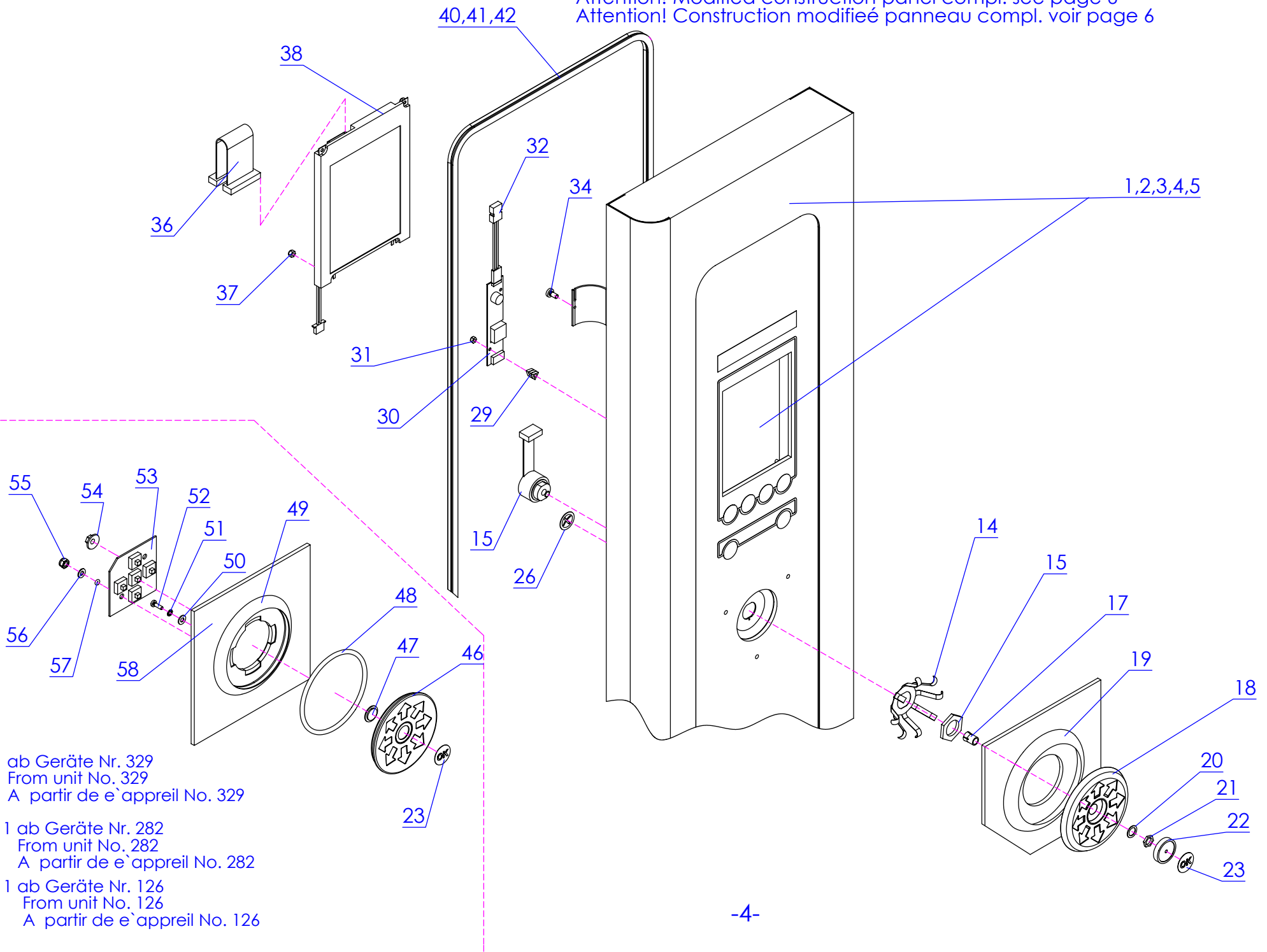
Achtung! Aufbauänderung Blende kpl. siehe Seite 6  
Attention! Modified construction panel compl. see page 6  
Attention! Construction modifié panneau compl. voir page 6



**MA /MB/Genius /Genius Gaz/ 6-11 10-11 20-11**

| Pos. | Article no. | Description                          | Genius Gaz | Multimax A | Multimax B | Genius | Autoclean | 6-11 | 10-11 | 20-11 |
|------|-------------|--------------------------------------|------------|------------|------------|--------|-----------|------|-------|-------|
| 1    | 759449      | Panel complete MA 611                |            |            | ●          |        | ●         | ●    |       |       |
| 2    | 759597      | Panel compl. MB 611 hinged left      |            |            | ●          |        | ●         | ●    |       |       |
| 3    | 759473      | Panel compl. MB 1011                 |            |            | ●          |        | ●         |      | ●     |       |
| 4    | 759627      | Panel compl. MB 1011 hinged left     |            |            | ●          |        | ●         |      | ●     |       |
| 5    | 759511      | Panel compl. MB 2011                 |            |            | ●          |        | ●         |      |       | ●     |
| 14   | 743747      | Adhesive panel MB 6-11/ 12-21 458x   |            |            | ●          |        | ●         | ●    |       |       |
| 15   | 743763      | Adhesive panel MB 10/2011 20-21-738x |            |            | ●          |        | ●         |      | ●     | ●     |
| 19   | 748978      | Collet rotary knob 1/4" (D 6,35)     |            |            | ●          |        | ●         | ●    | ●     | ●     |
| 20   | 743690      | Rotary knob MA/MB blue RAL 5003 c    |            |            | ●          |        | ●         | ●    | ●     | ●     |
| 21   | 758884      | Washer rotary knob                   |            |            | ●          |        | ●         | ●    | ●     | ●     |
| 22   | 758892      | Nut rotary knob                      |            |            | ●          |        | ●         | ●    | ●     | ●     |
| 23   | 748781      | Cap small silver d2k D 37 mm         |            |            | ●          |        | ●         | ●    | ●     | ●     |
| 26   | e500191     | Oval-head screw DIN 7985, I          |            |            | ●          |        | ●         | ●    | ●     | ●     |
| 28   | e412167     | Spacer 7 mm                          |            |            | ●          |        | ●         | ●    | ●     | ●     |
| 29   | e508019     | Nylon washer D7 d3 h 0,5             |            |            | ●          |        | ●         | ●    | ●     | ●     |
| 30   | e505125     | Self-locking nut M3 Din 985 V2       |            |            | ●          |        | ●         | ●    | ●     | ●     |
| 31   | 742465      | Ensemble of indicators MB d2k        |            |            | ●          |        | ●         | ●    | ●     | ●     |
| 34   | 742295      | Sealing frame 6-11 control unit      |            |            | ●          |        | ●         | ●    |       |       |
| 35   | 742309      | Sealing frame 10-11 control unit     |            |            | ●          |        | ●         |      | ●     |       |
| 36   | 742317      | Sealing frame 20-11 control unit     |            |            | ●          |        | ●         |      |       | ●     |
|      |             |                                      |            |            |            |        |           |      |       |       |
|      |             |                                      |            |            |            |        |           |      |       |       |
|      |             |                                      |            |            |            |        |           |      |       |       |
|      |             |                                      |            |            |            |        |           |      |       |       |
|      |             |                                      |            |            |            |        |           |      |       |       |
|      |             |                                      |            |            |            |        |           |      |       |       |
|      |             |                                      |            |            |            |        |           |      |       |       |
|      |             |                                      |            |            |            |        |           |      |       |       |
|      |             |                                      |            |            |            |        |           |      |       |       |
|      |             |                                      |            |            |            |        |           |      |       |       |
|      |             |                                      |            |            |            |        |           |      |       |       |
|      |             |                                      |            |            |            |        |           |      |       |       |
|      |             |                                      |            |            |            |        |           |      |       |       |
|      |             |                                      |            |            |            |        |           |      |       |       |
|      |             |                                      |            |            |            |        |           |      |       |       |
|      |             |                                      |            |            |            |        |           |      |       |       |
|      |             |                                      |            |            |            |        |           |      |       |       |
|      |             |                                      |            |            |            |        |           |      |       |       |
|      |             |                                      |            |            |            |        |           |      |       |       |
|      |             |                                      |            |            |            |        |           |      |       |       |

Achtung! Aufbauänderung Blende kpl. siehe Seite 6  
 Attention! Modified construction panel compl. see page 6  
 Attention! Construction modifiée panneau compl. voir page 6



611 ab Geräte Nr. 329  
 From unit No. 329  
 A partir de e`appareil No. 329

1011 ab Geräte Nr. 282  
 From unit No. 282  
 A partir de e`appareil No. 282

2011 ab Geräte Nr. 126  
 From unit No. 126  
 A partir de e`appareil No. 126

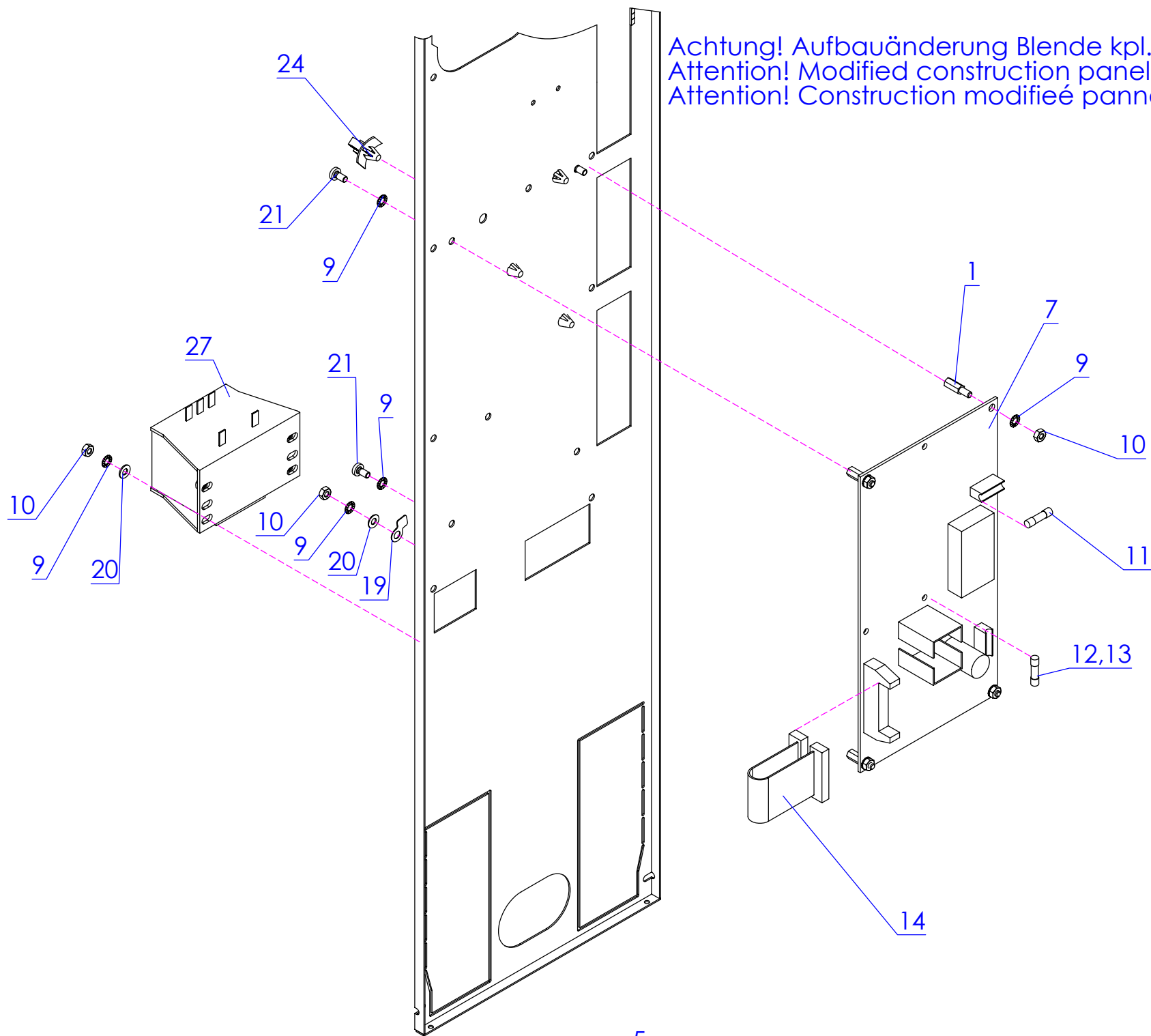


**MA /MB/Genius /Genius Gaz/ 6-11 10-11 20-11**

| Pos. | Article no. | Description                          | Genius Gaz | Multimax A | Multimax B | Genius | Autoclean | 6-11 | 10-11 | 20-11 |
|------|-------------|--------------------------------------|------------|------------|------------|--------|-----------|------|-------|-------|
| 1    | 759457      | Panel complete Genius 611            | ●          |            |            | ●      | ●         | ●    |       |       |
| 2    | 759481      | Panel compl. Genius 1011             | ●          |            |            | ●      | ●         |      | ●     |       |
| 3    | 759538      | Panel compl. Genius 2011             | ●          |            |            | ●      | ●         |      |       | ●     |
| 4    | 759600      | Panel compl.Genius 611 hinged left   | ●          |            |            | ●      | ●         | ●    |       |       |
| 5    | 759635      | Panel compl. Genius 1011 hinged left | ●          |            |            | ●      | ●         |      | ●     |       |
| 14   | 757632      | Spring/operating rocker Genius       | ●          |            |            | ●      | ●         | ●    | ●     | ●     |
| 15   | 757608      | Operating Rocker Genius              | ●          |            |            | ●      | ●         | ●    | ●     | ●     |
| 17   | e365124     | Collet operating rocker              | ●          |            |            | ●      | ●         | ●    | ●     | ●     |
| 19   | 757616      | Ring/operating rocker Genius         | ●          |            |            | ●      | ●         | ●    | ●     | ●     |
| 20   | 758884      | Washer rotary knob                   | ●          |            |            | ●      | ●         | ●    | ●     | ●     |
| 21   | 758892      | Nut rotary knob                      | ●          |            |            | ●      | ●         | ●    | ●     | ●     |
| 22   | 757624      | Lid/operating rocker Genius          | ●          |            |            | ●      | ●         | ●    | ●     | ●     |
| 23   | 757667      | Label "OK" operating rocker Gen      | ●          |            |            | ●      | ●         | ●    | ●     | ●     |
| 26   | e500095     | Oval-head screw DIN 7985 M 3x10 V2   | ●          |            |            | ●      | ●         | ●    | ●     | ●     |
| 29   | e414076     | Distance bushing triangular          | ●          |            |            | ●      | ●         | ●    | ●     | ●     |
| 30   | 749923      | Inverter d2k spare part              | ●          |            |            | ●      | ●         | ●    | ●     | ●     |
| 31   | e505127     | Self-locking nut M 2,5 DIN 985 V2    | ●          |            |            | ●      | ●         | ●    | ●     | ●     |
| 32   | 748323      | Lead inverter spare part             | ●          |            |            | ●      | ●         | ●    | ●     | ●     |
| 34   | e500191     | Oval-head screw DIN 7985, I          | ●          |            |            | ●      | ●         | ●    | ●     | ●     |
| 36   | 749915      | Connecting cable d2k display con     | ●          |            |            | ●      | ●         | ●    | ●     | ●     |
| 37   | e505125     | Self-locking nut M3 Din 985 V2       | ●          |            |            | ●      | ●         | ●    | ●     | ●     |
| 38   | 742457      | Display Genius d2k                   | ●          |            |            | ●      | ●         | ●    | ●     | ●     |
| 40   | 742295      | Sealing frame 6-11 control unit      | ●          |            |            | ●      | ●         | ●    |       |       |
| 41   | 742309      | Sealing frame 10-11 control unit     | ●          |            |            | ●      | ●         |      | ●     |       |
| 42   | 742317      | Sealing frame 20-11 control unit     | ●          |            |            | ●      | ●         |      |       | ●     |
| 46   | 768898      | Operating rocker Genius test versio  | ●          |            |            | ●      | ●         | ●    | ●     | ●     |
| 47   | 768502      | Center touch key of operating r      | ●          |            |            | ●      | ●         | ●    | ●     | ●     |
| 48   | 768510      | Sealing ring op. rocker Genius II -  | ●          |            |            | ●      | ●         | ●    | ●     | ●     |
| 49   | 768499      | Rocker ring Genius test versio       | ●          |            |            | ●      | ●         | ●    | ●     | ●     |
| 50   | e508005     | Washer DIN 125 A 3,2 V2A             | ●          |            |            | ●      | ●         | ●    | ●     | ●     |
| 51   | e510020     | Toothed disk DIN 6797 J 3,2 V2A      | ●          |            |            | ●      | ●         | ●    | ●     | ●     |
| 52   | e500279     | Oval-head screw DIN 7985 M3 x 8 V2A  | ●          |            |            | ●      | ●         | ●    | ●     | ●     |
| 53   | 748277      | Switch board operating rocker Gen    | ●          |            |            | ●      | ●         | ●    | ●     | ●     |
| 54   | e512075     | Spring nut d=4-7                     | ●          |            |            | ●      | ●         | ●    | ●     | ●     |
| 55   | 749699      | Hexagonal nut DIN 985 M4 self-loc    | ●          |            |            | ●      | ●         | ●    | ●     | ●     |
| 56   | e508037     | Washer DIN 433 4,3 V2A               | ●          |            |            | ●      | ●         | ●    | ●     | ●     |
| 57   | e425020     | O-ring, 3,68x1,78 VITON              | ●          |            |            | ●      | ●         | ●    | ●     | ●     |
| 58   | 760633      | Bearing fram operating rocker Gen    | ●          |            |            | ●      | ●         | ●    | ●     | ●     |

| Pos. | Article no. | Description | Genius Gaz | Multimax A | Multimax B | Genius | Autoclean | 6-11 | 10-11 | 20-11 |
|------|-------------|-------------|------------|------------|------------|--------|-----------|------|-------|-------|
|      |             |             |            |            |            |        |           |      |       |       |
|      |             |             |            |            |            |        |           |      |       |       |
|      |             |             |            |            |            |        |           |      |       |       |
|      |             |             |            |            |            |        |           |      |       |       |
|      |             |             |            |            |            |        |           |      |       |       |
|      |             |             |            |            |            |        |           |      |       |       |
|      |             |             |            |            |            |        |           |      |       |       |
|      |             |             |            |            |            |        |           |      |       |       |
|      |             |             |            |            |            |        |           |      |       |       |
|      |             |             |            |            |            |        |           |      |       |       |
|      |             |             |            |            |            |        |           |      |       |       |
|      |             |             |            |            |            |        |           |      |       |       |
|      |             |             |            |            |            |        |           |      |       |       |
|      |             |             |            |            |            |        |           |      |       |       |
|      |             |             |            |            |            |        |           |      |       |       |
|      |             |             |            |            |            |        |           |      |       |       |
|      |             |             |            |            |            |        |           |      |       |       |
|      |             |             |            |            |            |        |           |      |       |       |
|      |             |             |            |            |            |        |           |      |       |       |
|      |             |             |            |            |            |        |           |      |       |       |
|      |             |             |            |            |            |        |           |      |       |       |
|      |             |             |            |            |            |        |           |      |       |       |

Achtung! Aufbauänderung Blende kpl. siehe Seite 2  
Attention! Modified construction panel compl. see page 2  
Attention! Construction modifié panneau compl. voir page 2

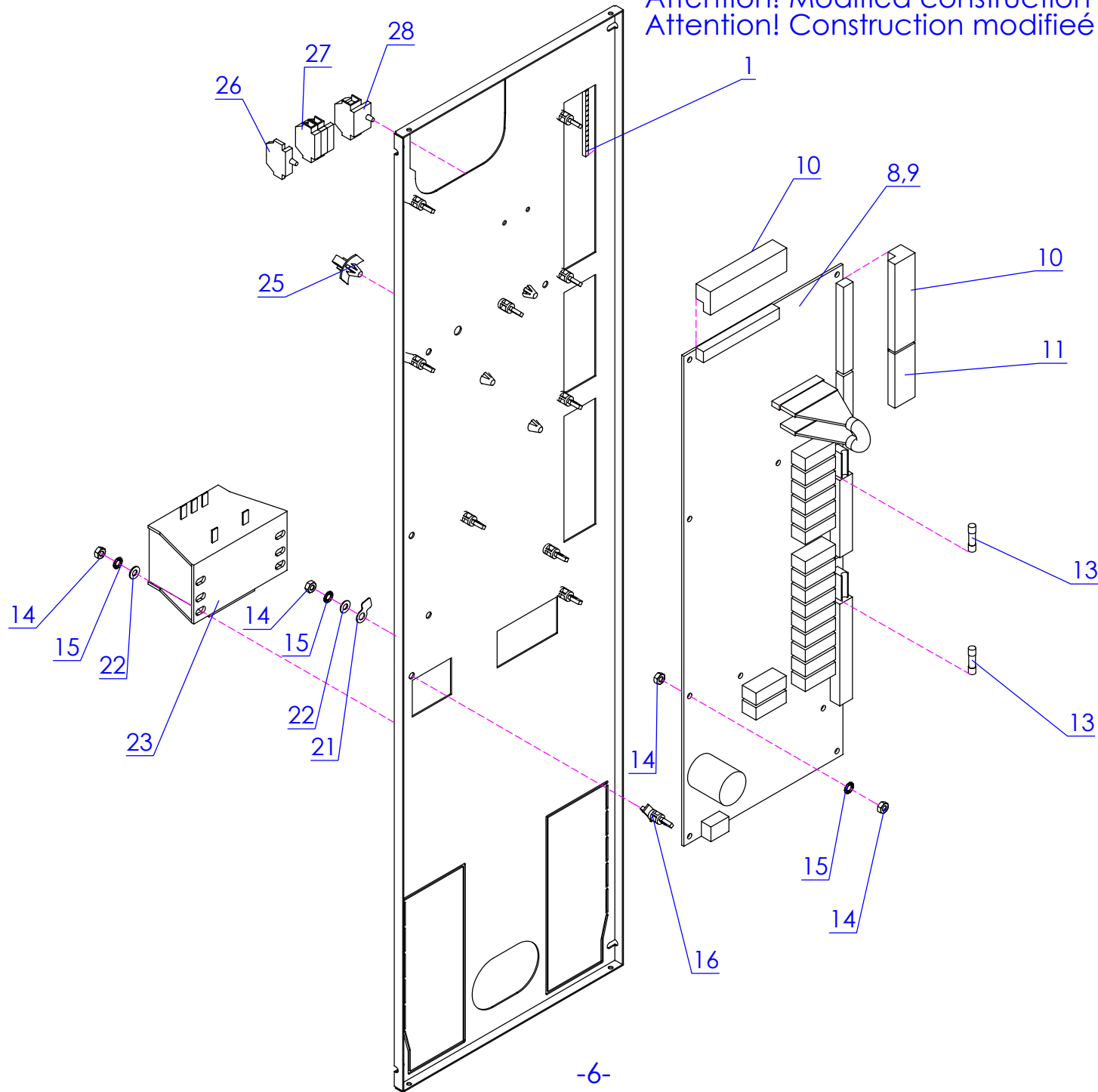


**MA /MB/Genius /Genius Gaz/ 6-11 10-11 20-11**

| Pos. | Article no. | Description                         | Genius Gaz | Multimax A | Multimax B | Genius | Autoclean | 6-11 | 10-11 | 20-11 |
|------|-------------|-------------------------------------|------------|------------|------------|--------|-----------|------|-------|-------|
| 1    | e414063     | Distance pin M4x10 nickel plate     | ●          |            |            |        | ●         | ●    | ●     | ●     |
| 7    | e344029     | Power supply board EDA/B MA 2 cham  | ●          |            |            |        | ●         | ●    | ●     | ●     |
| 9    | e510013     | Toothed disk DIN 6797 J 4,3 V2A     | ●          |            |            |        | ●         | ●    | ●     | ●     |
| 10   | e505031     | Hexagonal nut ISO 4032 M4 V2A DI    | ●          |            |            |        | ●         | ●    | ●     | ●     |
| 11   | e375005     | Fine fuse 6,3 A demi slow 5 x 20 mm | ●          |            |            |        | ●         | ●    | ●     | ●     |
| 12   | e375007     | Fine fuse 2 A slow 5 x 20 mm        | ●          |            |            |        | ●         | ●    | ●     | ●     |
| 13   | e375006     | Fine fuse 1 A slow 5 x 20 mm        | ●          |            |            |        | ●         | ●    | ●     | ●     |
| 14   | e302058     | connection cable MMD, MMC           | ●          |            |            |        | ●         | ●    | ●     | ●     |
| 19   | e362136     | Sign "earthing"                     | ●          |            |            |        | ●         | ●    | ●     | ●     |
| 20   | e508012     | Washer DIN 125 A 4,3 V2A            | ●          |            |            |        | ●         | ●    | ●     | ●     |
| 21   | e500091     | Oval-head screw DIN 7985 N          | ●          |            |            |        | ●         | ●    | ●     | ●     |
| 23   | 742775      | Trafo control d2k voltage sup       | ●          |            |            |        | ●         | ●    | ●     | ●     |
| 24   | e422043     | Cable binder                        | ●          |            |            |        | ●         | ●    | ●     | ●     |
|      |             |                                     |            |            |            |        |           |      |       |       |
|      |             |                                     |            |            |            |        |           |      |       |       |
|      |             |                                     |            |            |            |        |           |      |       |       |
|      |             |                                     |            |            |            |        |           |      |       |       |
|      |             |                                     |            |            |            |        |           |      |       |       |
|      |             |                                     |            |            |            |        |           |      |       |       |
|      |             |                                     |            |            |            |        |           |      |       |       |
|      |             |                                     |            |            |            |        |           |      |       |       |
|      |             |                                     |            |            |            |        |           |      |       |       |
|      |             |                                     |            |            |            |        |           |      |       |       |
|      |             |                                     |            |            |            |        |           |      |       |       |
|      |             |                                     |            |            |            |        |           |      |       |       |
|      |             |                                     |            |            |            |        |           |      |       |       |
|      |             |                                     |            |            |            |        |           |      |       |       |
|      |             |                                     |            |            |            |        |           |      |       |       |
|      |             |                                     |            |            |            |        |           |      |       |       |

| Pos. | Article no. | Description | Genius Gaz | Multimax A | Multimax B | Genius | Autoclean | 6-11 | 10-11 | 20-11 |
|------|-------------|-------------|------------|------------|------------|--------|-----------|------|-------|-------|
|      |             |             |            |            |            |        |           |      |       |       |
|      |             |             |            |            |            |        |           |      |       |       |
|      |             |             |            |            |            |        |           |      |       |       |
|      |             |             |            |            |            |        |           |      |       |       |
|      |             |             |            |            |            |        |           |      |       |       |
|      |             |             |            |            |            |        |           |      |       |       |
|      |             |             |            |            |            |        |           |      |       |       |
|      |             |             |            |            |            |        |           |      |       |       |
|      |             |             |            |            |            |        |           |      |       |       |
|      |             |             |            |            |            |        |           |      |       |       |
|      |             |             |            |            |            |        |           |      |       |       |
|      |             |             |            |            |            |        |           |      |       |       |
|      |             |             |            |            |            |        |           |      |       |       |
|      |             |             |            |            |            |        |           |      |       |       |
|      |             |             |            |            |            |        |           |      |       |       |
|      |             |             |            |            |            |        |           |      |       |       |
|      |             |             |            |            |            |        |           |      |       |       |
|      |             |             |            |            |            |        |           |      |       |       |
|      |             |             |            |            |            |        |           |      |       |       |
|      |             |             |            |            |            |        |           |      |       |       |
|      |             |             |            |            |            |        |           |      |       |       |
|      |             |             |            |            |            |        |           |      |       |       |
|      |             |             |            |            |            |        |           |      |       |       |

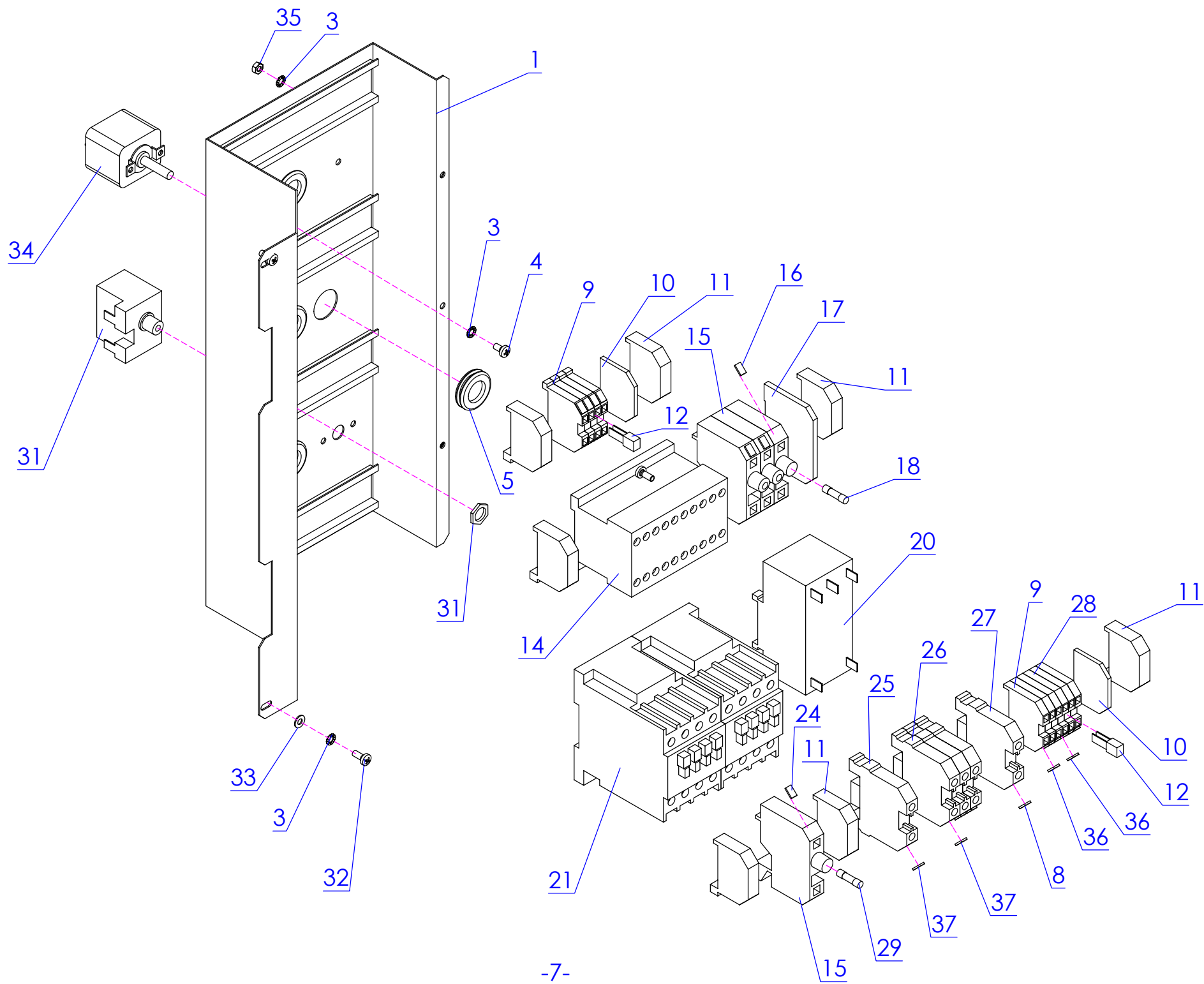
Achtung! Aufbauänderung Blende kpl. siehe Seite 3,4  
Attention! Modified construction panel compl. see page 3,4  
Attention! Construction modifié panneau compl. voir page 3,4



**MA /MB/Genius /Genius Gaz/ 6-11 10-11 20-11**

| Pos. | Article no. | Description                         | Genius Gaz | Multimax A | Multimax B | Genius | Autoclean | 6-11 | 10-11 | 20-11 |
|------|-------------|-------------------------------------|------------|------------|------------|--------|-----------|------|-------|-------|
| 1    | e427072     | Edge protection 0,5 m d2k           | ●          |            | ●          | ●      | ●         | ●    | ●     | ●     |
| 8    | 742449      | Ensemble of controls Genius         | ●          |            |            | ●      | ●         | ●    | ●     | ●     |
| 9    | 742473      | Ensemble of controls MB d2k         |            |            | ●          |        | ●         | ●    | ●     | ●     |
| 10   | 749869      | Plug 20 poles                       | ●          |            | ●          | ●      | ●         | ●    | ●     | ●     |
| 11   | 749850      | Plug 12 poles                       | ●          |            | ●          | ●      | ●         | ●    | ●     | ●     |
| 13   | 779601      | Fine fuse 8 A slow 5 x 20 mm        | ●          |            | ●          | ●      | ●         | ●    | ●     | ●     |
| 14   | e505031     | Hexagonal nut ISO 4032 M4 V2A DII   | ●          |            | ●          | ●      | ●         | ●    | ●     | ●     |
| 15   | e510013     | Toothed disk DIN 6797 J 4,3 V2A     | ●          |            | ●          | ●      | ●         | ●    | ●     | ●     |
| 16   | 749834      | Spacer for control board            | ●          |            | ●          | ●      | ●         | ●    | ●     | ●     |
| 21   | e362136     | Sign "earthing"                     | ●          |            | ●          | ●      | ●         | ●    | ●     | ●     |
| 22   | e508012     | Washer DIN 125 A 4,3 V2A            | ●          |            | ●          | ●      | ●         | ●    | ●     | ●     |
| 23   | 742775      | Trafo control d2k voltage sup       | ●          |            | ●          | ●      | ●         | ●    | ●     | ●     |
| 25   | e422043     | Cable binder                        | ●          |            | ●          | ●      | ●         | ●    | ●     | ●     |
| 26   | e371039     | End plate                           | ●          |            | ●          | ●      | ●         | ●    | ●     | ●     |
| 27   | e371041     | Clamp grey 2 conductors with flange | ●          |            | ●          | ●      | ●         | ●    | ●     | ●     |
| 28   | e371037     | Clamp grey 4 conductors             | ●          |            | ●          | ●      | ●         | ●    | ●     | ●     |
|      |             |                                     |            |            |            |        |           |      |       |       |
|      |             |                                     |            |            |            |        |           |      |       |       |
|      |             |                                     |            |            |            |        |           |      |       |       |
|      |             |                                     |            |            |            |        |           |      |       |       |
|      |             |                                     |            |            |            |        |           |      |       |       |
|      |             |                                     |            |            |            |        |           |      |       |       |
|      |             |                                     |            |            |            |        |           |      |       |       |
|      |             |                                     |            |            |            |        |           |      |       |       |
|      |             |                                     |            |            |            |        |           |      |       |       |
|      |             |                                     |            |            |            |        |           |      |       |       |
|      |             |                                     |            |            |            |        |           |      |       |       |
|      |             |                                     |            |            |            |        |           |      |       |       |
|      |             |                                     |            |            |            |        |           |      |       |       |
|      |             |                                     |            |            |            |        |           |      |       |       |
|      |             |                                     |            |            |            |        |           |      |       |       |
|      |             |                                     |            |            |            |        |           |      |       |       |
|      |             |                                     |            |            |            |        |           |      |       |       |
|      |             |                                     |            |            |            |        |           |      |       |       |
|      |             |                                     |            |            |            |        |           |      |       |       |
|      |             |                                     |            |            |            |        |           |      |       |       |
|      |             |                                     |            |            |            |        |           |      |       |       |

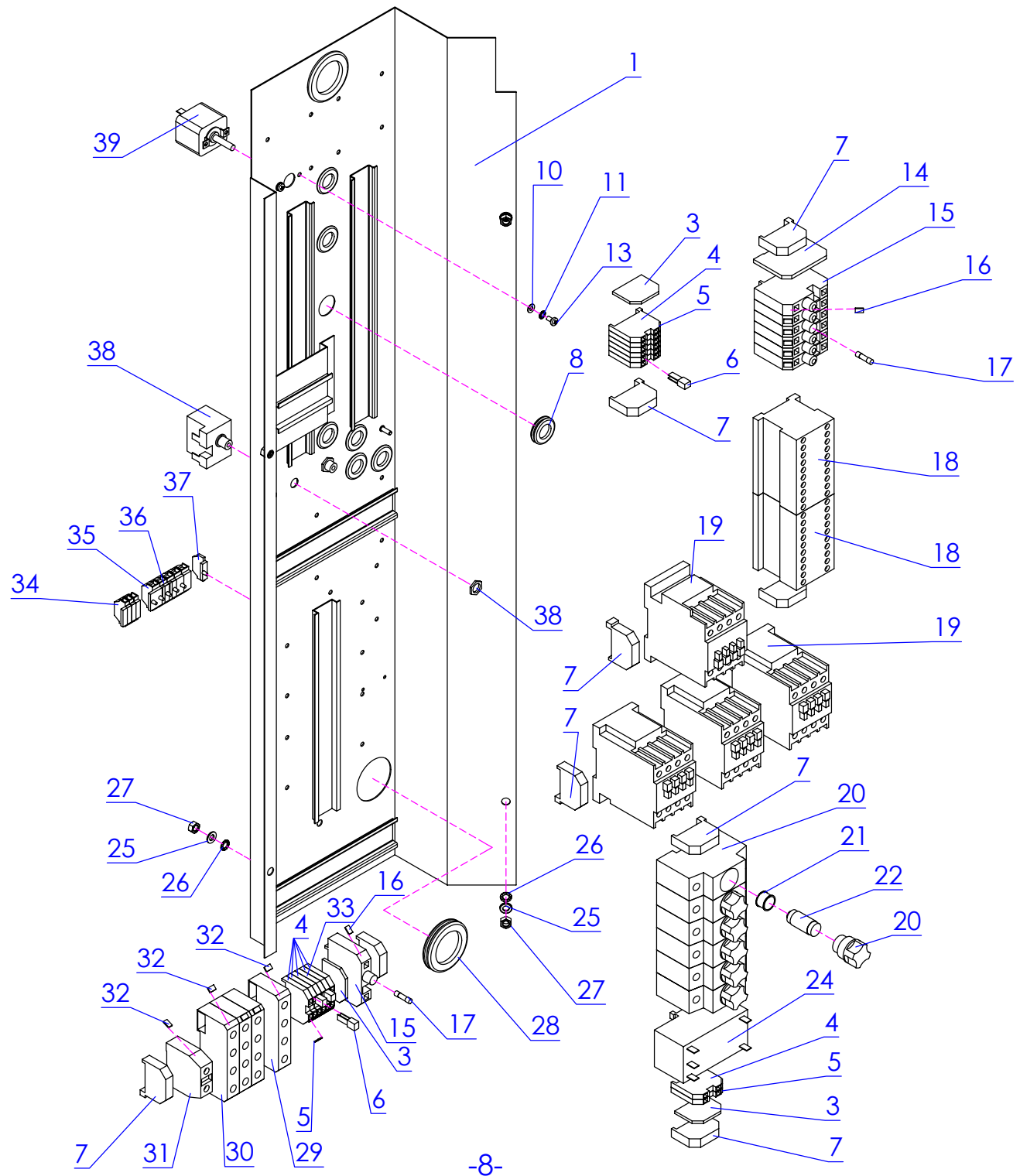
| Pos. | Article no. | Description | Genius Gaz | Multimax A | Multimax B | Genius | Autoclean | 6-11 | 10-11 | 20-11 |
|------|-------------|-------------|------------|------------|------------|--------|-----------|------|-------|-------|
|      |             |             |            |            |            |        |           |      |       |       |
|      |             |             |            |            |            |        |           |      |       |       |
|      |             |             |            |            |            |        |           |      |       |       |
|      |             |             |            |            |            |        |           |      |       |       |
|      |             |             |            |            |            |        |           |      |       |       |
|      |             |             |            |            |            |        |           |      |       |       |
|      |             |             |            |            |            |        |           |      |       |       |
|      |             |             |            |            |            |        |           |      |       |       |
|      |             |             |            |            |            |        |           |      |       |       |
|      |             |             |            |            |            |        |           |      |       |       |
|      |             |             |            |            |            |        |           |      |       |       |
|      |             |             |            |            |            |        |           |      |       |       |
|      |             |             |            |            |            |        |           |      |       |       |
|      |             |             |            |            |            |        |           |      |       |       |
|      |             |             |            |            |            |        |           |      |       |       |
|      |             |             |            |            |            |        |           |      |       |       |
|      |             |             |            |            |            |        |           |      |       |       |
|      |             |             |            |            |            |        |           |      |       |       |
|      |             |             |            |            |            |        |           |      |       |       |
|      |             |             |            |            |            |        |           |      |       |       |
|      |             |             |            |            |            |        |           |      |       |       |
|      |             |             |            |            |            |        |           |      |       |       |
|      |             |             |            |            |            |        |           |      |       |       |
|      |             |             |            |            |            |        |           |      |       |       |
|      |             |             |            |            |            |        |           |      |       |       |
|      |             |             |            |            |            |        |           |      |       |       |
|      |             |             |            |            |            |        |           |      |       |       |
|      |             |             |            |            |            |        |           |      |       |       |
|      |             |             |            |            |            |        |           |      |       |       |
|      |             |             |            |            |            |        |           |      |       |       |
|      |             |             |            |            |            |        |           |      |       |       |
|      |             |             |            |            |            |        |           |      |       |       |
|      |             |             |            |            |            |        |           |      |       |       |
|      |             |             |            |            |            |        |           |      |       |       |
|      |             |             |            |            |            |        |           |      |       |       |
|      |             |             |            |            |            |        |           |      |       |       |
|      |             |             |            |            |            |        |           |      |       |       |
|      |             |             |            |            |            |        |           |      |       |       |
|      |             |             |            |            |            |        |           |      |       |       |
|      |             |             |            |            |            |        |           |      |       |       |
|      |             |             |            |            |            |        |           |      |       |       |
|      |             |             |            |            |            |        |           |      |       |       |
|      |             |             |            |            |            |        |           |      |       |       |
|      |             |             |            |            |            |        |           |      |       |       |



**MA /MB/Genius /Genius Gaz/ 6-11 10-11 20-11**

| Pos. | Article no. | Description                           | Genius Gaz | Multimax A | Multimax B | Genius | Autoclean | 6-11 | 10-11 | 20-11 |
|------|-------------|---------------------------------------|------------|------------|------------|--------|-----------|------|-------|-------|
| 1    | 744514      | Electric mounting plate 6/10-11 hin   | ●          |            |            |        | ●         | ●    | ●     |       |
| 3    | e510013     | Toothed disk DIN 6797 J 4,3 V2A       | ●          |            |            |        | ●         | ●    | ●     |       |
| 4    | e500091     | Oval-head screw DIN 7985 N            | ●          |            |            |        | ●         | ●    | ●     |       |
| 5    | e306019     | Rubber socket black PG 16             | ●          |            |            |        | ●         | ●    | ●     |       |
| 8    | e362045     | Designation strip "L1-PE"             | ●          |            |            |        | ●         | ●    | ●     |       |
| 9    | e371022     | Universal clamp grey 4qmm             | ●          |            |            |        | ●         | ●    | ●     |       |
| 10   | e371025     | End plate for universal clamp 4qm     | ●          |            |            |        | ●         | ●    | ●     |       |
| 11   | e371010     | End clamp for rail 35 DIN             | ●          |            |            |        | ●         | ●    | ●     |       |
| 12   | e371014     | Cross bridge 4qmm 281                 | ●          |            |            |        | ●         | ●    | ●     |       |
| 14   | e324023     | Turning contactor 230 V 50/6          | ●          |            |            |        | ●         | ●    | ●     |       |
| 15   | e373009     | Fuse clamp 35 DIN                     | ●          |            |            |        | ●         | ●    | ●     |       |
| 16   | e362068     | Designation strip "10 A"              | ●          |            |            |        | ●         | ●    | ●     |       |
| 17   | e371009     | End plate fuse clamp                  | ●          |            |            |        | ●         | ●    | ●     |       |
| 18   | e375002     | Fine fuse 10 A slow 5 x 20 mm         | ●          |            |            |        | ●         | ●    | ●     |       |
| 20   | 742767      | Interference filter d2k voltage sup   | ●          |            |            |        | ●         | ●    | ●     |       |
| 21   | e324002     | Contacto DSL 23-10 230 V 50 H         | ●          |            |            |        | ●         | ●    | ●     |       |
| 24   | e362067     | Designation strip "2A"                | ●          |            |            |        | ●         | ●    | ●     |       |
| 25   | e371069     | Neutral conductor clamp blue 10qmr    | ●          |            |            |        | ●         | ●    | ●     |       |
| 26   | e371064     | Transit clamp grey, 10qmm 10 qmm      | ●          |            |            |        | ●         | ●    | ●     |       |
| 27   | e371063     | Protective conductor clamp 10 q       | ●          |            |            |        | ●         | ●    | ●     |       |
| 28   | e371021     | Universal clamp blue 4qmm             | ●          |            |            |        | ●         | ●    | ●     |       |
| 29   | e375007     | Fine fuse 2 A slow 5 x 20 mm          | ●          |            |            |        | ●         | ●    | ●     |       |
| 31   | e336029     | Safety thermal release 1-pole 360     | ●          |            |            |        | ●         | ●    | ●     |       |
| 32   | e500098     | Oval-head screw DIN 7985 M 4x10 V2/   | ●          |            |            |        | ●         | ●    | ●     |       |
| 33   | e508012     | Washer DIN 125 A 4,3 V2A              | ●          |            |            |        | ●         | ●    | ●     |       |
| 34   | e334007     | Thermostat 250 C one pole             | ●          |            |            |        | ●         | ●    | ●     |       |
| 35   | e505031     | Hexagonal nut ISO 4032 M4 V2A DI      | ●          |            |            |        | ●         | ●    | ●     |       |
| 36   | e362070     | Designation strip "" = connection     | ●          |            |            |        | ●         | ●    | ●     |       |
| 37   | e362044     | Designation strip "L1-PE"             | ●          |            |            |        | ●         | ●    | ●     |       |
| #### | 753483      | Harness control MA 6/1011 d2k         | ●          |            |            |        | ●         | ●    | ●     |       |
| #### | 755044      | Harness controls MA 61011 hinged left | ●          |            |            |        | ●         | ●    | ●     |       |
| #### | 753629      | Harness illumination 6-11 d2k         | ●          |            |            |        | ●         | ●    |       |       |
| #### | e302002     | Connection cable 5 x 1,50 compl       | ●          |            |            |        | ●         |      | ●     |       |
| #### | e302004     | Connecting cable 5 x 2,5              | ●          |            |            |        | ●         |      | ●     |       |
| #### | 753637      | Harness illumination 1011 d2k         | ●          |            |            |        | ●         | ●    |       |       |
|      |             |                                       |            |            |            |        |           |      |       |       |
|      |             |                                       |            |            |            |        |           |      |       |       |
|      |             |                                       |            |            |            |        |           |      |       |       |

| Pos. | Article no. | Description | Genius Gaz | Multimax A | Multimax B | Genius | Autoclean | 6-11 | 10-11 | 20-11 |
|------|-------------|-------------|------------|------------|------------|--------|-----------|------|-------|-------|
|      |             |             |            |            |            |        |           |      |       |       |
|      |             |             |            |            |            |        |           |      |       |       |
|      |             |             |            |            |            |        |           |      |       |       |
|      |             |             |            |            |            |        |           |      |       |       |
|      |             |             |            |            |            |        |           |      |       |       |
|      |             |             |            |            |            |        |           |      |       |       |
|      |             |             |            |            |            |        |           |      |       |       |
|      |             |             |            |            |            |        |           |      |       |       |
|      |             |             |            |            |            |        |           |      |       |       |
|      |             |             |            |            |            |        |           |      |       |       |
|      |             |             |            |            |            |        |           |      |       |       |
|      |             |             |            |            |            |        |           |      |       |       |
|      |             |             |            |            |            |        |           |      |       |       |
|      |             |             |            |            |            |        |           |      |       |       |
|      |             |             |            |            |            |        |           |      |       |       |
|      |             |             |            |            |            |        |           |      |       |       |
|      |             |             |            |            |            |        |           |      |       |       |
|      |             |             |            |            |            |        |           |      |       |       |
|      |             |             |            |            |            |        |           |      |       |       |
|      |             |             |            |            |            |        |           |      |       |       |
|      |             |             |            |            |            |        |           |      |       |       |
|      |             |             |            |            |            |        |           |      |       |       |
|      |             |             |            |            |            |        |           |      |       |       |
|      |             |             |            |            |            |        |           |      |       |       |
|      |             |             |            |            |            |        |           |      |       |       |
|      |             |             |            |            |            |        |           |      |       |       |
|      |             |             |            |            |            |        |           |      |       |       |
|      |             |             |            |            |            |        |           |      |       |       |

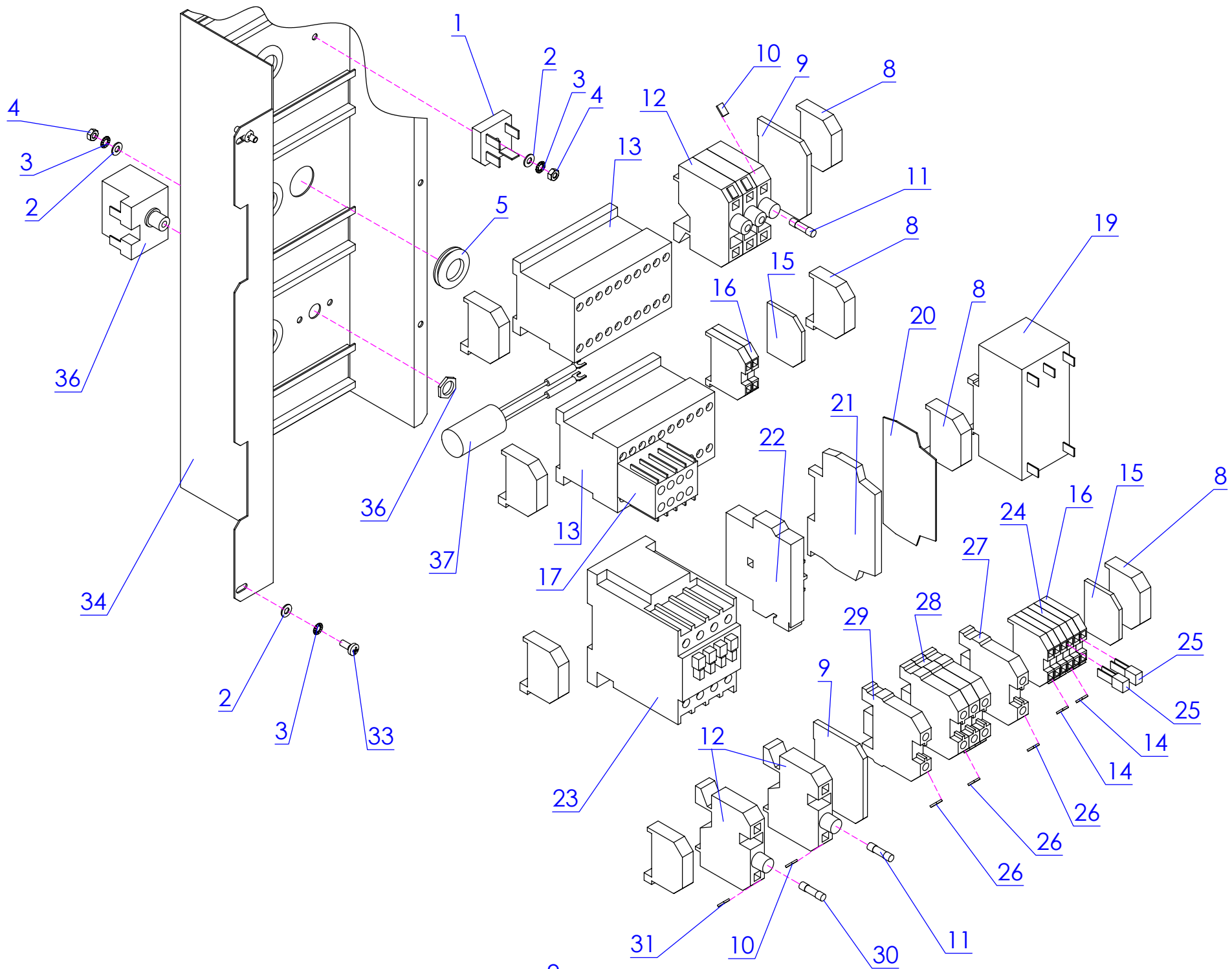




**MA /MB/Genius /Genius Gaz/ 6-11 10-11 20-11**

| Pos. | Article no. | Description                           | Genius Gaz | Multimax A | Multimax B | Genius | Autoclean | 6-11 | 10-11 | 20-11 |
|------|-------------|---------------------------------------|------------|------------|------------|--------|-----------|------|-------|-------|
| 1    | 751901      | Electric mounting plate 20-11 d2k     | •          |            |            |        |           |      |       | •     |
| 3    | e371025     | End plate for universal clamp 4qm     | •          |            |            |        |           |      |       | •     |
| 4    | e371022     | Universal clamp grey 4qmm             | •          |            |            |        |           |      |       | •     |
| 5    | e362070     | Designation strip "" = connection     | •          |            |            |        |           |      |       | •     |
| 6    | e371014     | Cross bridge 4qmm 281                 | •          |            |            |        |           |      |       | •     |
| 7    | e371010     | End clamp for rail 35 DIN             | •          |            |            |        |           |      |       | •     |
| 8    | e306019     | Rubber socket black PG 16             | •          |            |            |        |           |      |       | •     |
| 10   | e508012     | Washer DIN 125 A 4,3 V2A              | •          |            |            |        |           |      |       | •     |
| 11   | e510013     | Toothed disk DIN 6797 J 4,3 V2A       | •          |            |            |        |           |      |       | •     |
| 13   | e500091     | Oval-head screw DIN 7985 N            | •          |            |            |        |           |      |       | •     |
| 14   | e371009     | End plate fuse clamp                  | •          |            |            |        |           |      |       | •     |
| 15   | e373009     | Fuse clamp 35 DIN                     | •          |            |            |        |           |      |       | •     |
| 16   | e362068     | Designation strip "10 A"              | •          |            |            |        |           |      |       | •     |
| 17   | e375002     | Fine fuse 10 A slow 5 x 20 mm         | •          |            |            |        |           |      |       | •     |
| 18   | e324023     | Turning contactor 230 V 50/60         | •          |            |            |        |           |      |       | •     |
| 19   | e324002     | Contactors DSL 23-10 230 V 50 Hz      | •          |            |            |        |           |      |       | •     |
| 20   | e373028     | safety element                        | •          |            |            |        |           |      |       | •     |
| 21   | e373021     | Insert 35 A                           | •          |            |            |        |           |      |       | •     |
| 22   | e375013     | Safety fuse 35 A Neozet               | •          |            |            |        |           |      |       | •     |
| 24   | 742767      | Interference filter d2k voltage sup   | •          |            |            |        |           |      |       | •     |
| 25   | e508013     | Washer DIN 125 A 6,4 V2A              | •          |            |            |        |           |      |       | •     |
| 26   | e510015     | Toothed disk DIN 6797 J 6,4 V2A       | •          |            |            |        |           |      |       | •     |
| 27   | e505032     | Hexagonal nut ISO 4032 M6 V2A DI      | •          |            |            |        |           |      |       | •     |
| 28   | e306025     | Spout DG 36                           | •          |            |            |        |           |      |       | •     |
| 29   | 751898      | Terminal 35 qmm 3x10 qmm              | •          |            |            |        |           |      |       | •     |
| 30   | 751871      | Terminal 35 qmm 3x10 qmm              | •          |            |            |        |           |      |       | •     |
| 31   | e371035     | PE clamp 35 qmm g/y                   | •          |            |            |        |           |      |       | •     |
| 32   | e362044     | Designation strip "L1-PE"             | •          |            |            |        |           |      |       | •     |
| 33   | e371021     | Universal clamp blue 4qmm             | •          |            |            |        |           |      |       | •     |
| 34   | e371041     | Clamp grey 2 conductors with flange   | •          |            |            |        |           |      |       | •     |
| 35   | e371037     | Clamp grey 4 conductors               | •          |            |            |        |           |      |       | •     |
| 36   | e371036     | Clamp blue 4 conductors blue          | •          |            |            |        |           |      |       | •     |
| 37   | e371039     | End plate                             | •          |            |            |        |           |      |       | •     |
| 38   | e336029     | Safety thermal release 1-pole 360     | •          |            |            |        |           |      |       | •     |
| 39   | e334007     | Thermostat 250 C one pole             | •          |            |            |        |           |      |       | •     |
| #### | e362047     | Label SICOTRONIC 26x52 m attention vc | •          |            |            |        |           |      |       | •     |
| #### | 755087      | Harness controls MA 2011 hinged righ  | •          |            |            |        |           |      |       | •     |
| #### | 753645      | Harness illumination 20-11 20-2       | •          |            |            |        |           |      |       | •     |

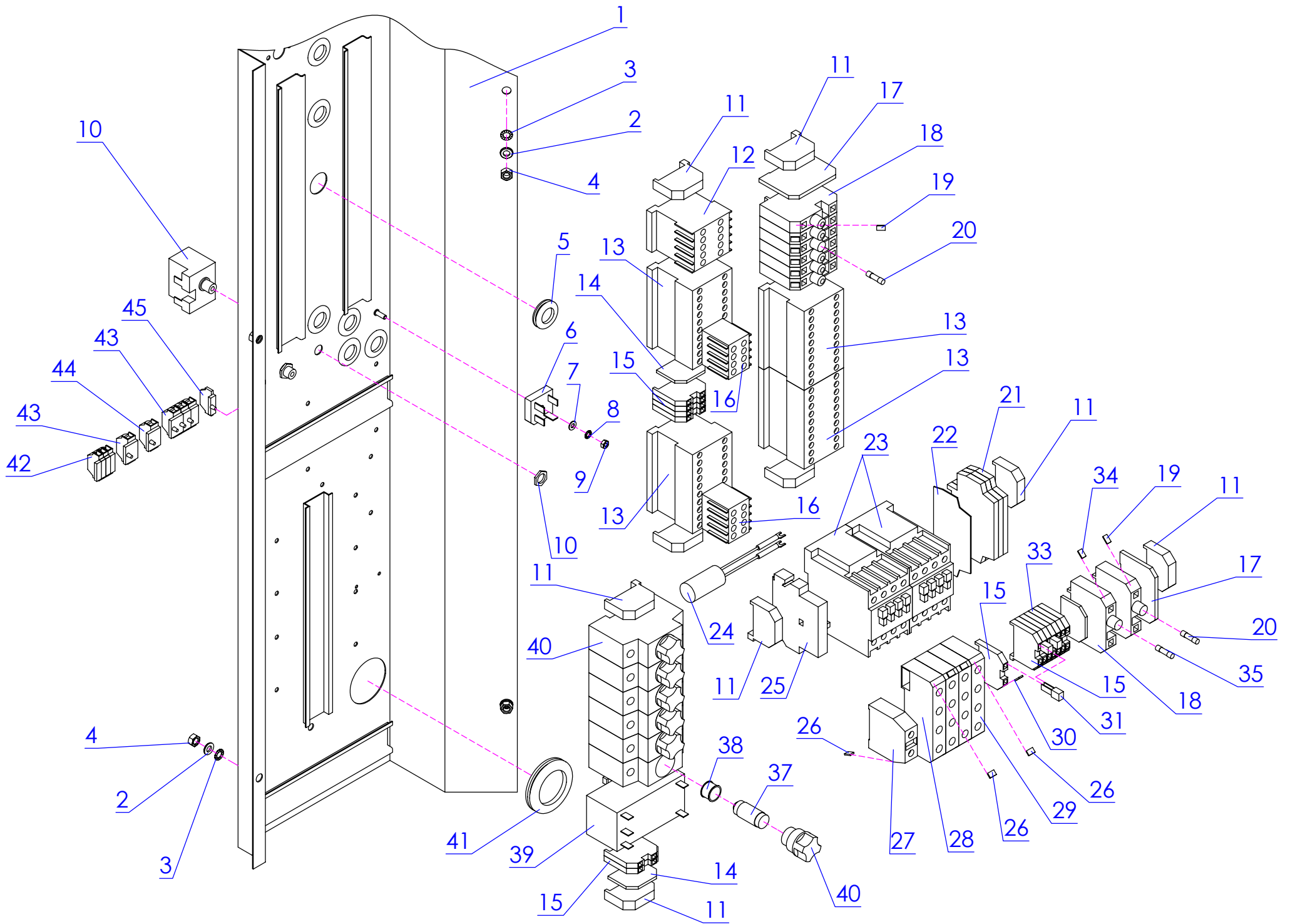
| Pos. | Article no. | Description | Genius Gaz | Multimax A | Multimax B | Genius | Autoclean | 6-11 | 10-11 | 20-11 |
|------|-------------|-------------|------------|------------|------------|--------|-----------|------|-------|-------|
|      |             |             |            |            |            |        |           |      |       |       |
|      |             |             |            |            |            |        |           |      |       |       |
|      |             |             |            |            |            |        |           |      |       |       |
|      |             |             |            |            |            |        |           |      |       |       |
|      |             |             |            |            |            |        |           |      |       |       |
|      |             |             |            |            |            |        |           |      |       |       |
|      |             |             |            |            |            |        |           |      |       |       |
|      |             |             |            |            |            |        |           |      |       |       |
|      |             |             |            |            |            |        |           |      |       |       |
|      |             |             |            |            |            |        |           |      |       |       |
|      |             |             |            |            |            |        |           |      |       |       |
|      |             |             |            |            |            |        |           |      |       |       |
|      |             |             |            |            |            |        |           |      |       |       |
|      |             |             |            |            |            |        |           |      |       |       |
|      |             |             |            |            |            |        |           |      |       |       |
|      |             |             |            |            |            |        |           |      |       |       |
|      |             |             |            |            |            |        |           |      |       |       |
|      |             |             |            |            |            |        |           |      |       |       |
|      |             |             |            |            |            |        |           |      |       |       |
|      |             |             |            |            |            |        |           |      |       |       |
|      |             |             |            |            |            |        |           |      |       |       |
|      |             |             |            |            |            |        |           |      |       |       |
|      |             |             |            |            |            |        |           |      |       |       |
|      |             |             |            |            |            |        |           |      |       |       |
|      |             |             |            |            |            |        |           |      |       |       |
|      |             |             |            |            |            |        |           |      |       |       |
|      |             |             |            |            |            |        |           |      |       |       |
|      |             |             |            |            |            |        |           |      |       |       |
|      |             |             |            |            |            |        |           |      |       |       |
|      |             |             |            |            |            |        |           |      |       |       |
|      |             |             |            |            |            |        |           |      |       |       |
|      |             |             |            |            |            |        |           |      |       |       |
|      |             |             |            |            |            |        |           |      |       |       |
|      |             |             |            |            |            |        |           |      |       |       |
|      |             |             |            |            |            |        |           |      |       |       |
|      |             |             |            |            |            |        |           |      |       |       |
|      |             |             |            |            |            |        |           |      |       |       |
|      |             |             |            |            |            |        |           |      |       |       |
|      |             |             |            |            |            |        |           |      |       |       |



**MA /MB/Genius /Genius Gaz/ 6-11 10-11 20-11**

| Pos. | Article no. | Description                                      | Genius Gaz | Multimax A | Multimax B | Genius | Autoclean | 6-11 | 10-11 | 20-11 |
|------|-------------|--|------------|------------|------------|--------|-----------|------|-------|-------|
| 1    | e308056     | Bridge rectifier                                 |            |            |            | ●      | ●         | ●    | ●     |       |
| 2    | e508012     | Washer DIN 125 A 4,3<br>V2A                      |            |            |            | ●      | ●         | ●    | ●     |       |
| 3    | e510013     | Toothed disk DIN 6797<br>J 4,3 V2A               |            |            |            | ●      | ●         | ●    | ●     |       |
| 4    | e505031     | Hexagonal nut ISO 4032<br>M4 V2A DI              |            |            |            | ●      | ●         | ●    | ●     |       |
| 5    | e306019     | Rubber socket black PG 16                        |            |            |            | ●      | ●         | ●    | ●     |       |
| 8    | e371010     | End clamp for rail 35 DIN                        |            |            |            | ●      | ●         | ●    | ●     |       |
| 9    | e371009     | End plate fuse clamp                             |            |            |            | ●      | ●         | ●    | ●     |       |
| 10   | e362068     | Designation strip "10 A"                         |            |            |            | ●      | ●         | ●    | ●     |       |
| 11   | e375002     | Fine fuse 10 A slow<br>5 x 20 mm                 |            |            |            | ●      | ●         | ●    | ●     |       |
| 12   | e373009     | Fuse clamp 35 DIN                                |            |            |            | ●      | ●         | ●    | ●     |       |
| 13   | e324023     | Turning contactor<br>230 V 50/60 Hz              |            |            |            | ●      | ●         | ●    | ●     |       |
| 14   | e362070     | Designation strip "" =<br>connection             |            |            |            | ●      | ●         | ●    | ●     |       |
| 15   | e371025     | End plate for universal<br>clamp 4qmm            |            |            |            | ●      | ●         | ●    | ●     |       |
| 16   | e371022     | Universal clamp grey 4qmm                        |            |            |            | ●      | ●         | ●    | ●     |       |
| 17   | 751790      | Auxiliary switch block<br>3 closer, 1 changeover |            |            |            | ●      | ●         | ●    | ●     |       |
| 19   | 742767      | Interference filter d2k<br>voltage supply        |            |            |            | ●      | ●         | ●    | ●     |       |
| 20   | 752452      | Intermediate end plate<br>d2k                    |            |            |            | ●      | ●         | ●    | ●     |       |
| 21   | 742813      | Auxiliary relay 230 V                            |            |            |            | ●      | ●         | ●    | ●     |       |
| 22   | 751839      | Auxiliary switch block<br>for ABB contactors     |            |            |            | ●      | ●         | ●    | ●     |       |
| 23   | e324002     | Contacto DSL 23-10<br>230 V 50 Hz                |            |            |            | ●      | ●         | ●    | ●     |       |
| 24   | e371021     | Universal clamp blue 4qmm                        |            |            |            | ●      | ●         | ●    | ●     |       |
| 25   | e371014     | Cross bridge 4qmm 281                            |            |            |            | ●      | ●         | ●    | ●     |       |
| 26   | e362044     | Designation strip "L1-PE"                        |            |            |            | ●      | ●         | ●    | ●     |       |
| 27   | e371063     | Protective conductor<br>clamp 10 qmm             |            |            |            | ●      | ●         | ●    | ●     |       |
| 28   | e371064     | Transit clamp grey, 10qmm<br>10 qmm              |            |            |            | ●      | ●         | ●    | ●     |       |
| 29   | e371069     | Neutral conductor clamp<br>blue 10qmm            |            |            |            | ●      | ●         | ●    | ●     |       |
| 30   | e375009     | Fine fuse 4 AT                                   |            |            |            | ●      | ●         | ●    | ●     |       |
| 33   | e500098     | Oval-head screw DIN 7985<br>M 4x10 V2A           |            |            |            | ●      | ●         | ●    | ●     |       |
| 34   | 744514      | Electric mounting plate<br>6/10-11 hinged        |            |            |            | ●      | ●         | ●    | ●     |       |
| 36   | e336029     | Safety thermal release<br>1-pole 360 A           |            |            |            | ●      | ●         | ●    | ●     |       |
| 37   | e308077     | Anti-interference capacitor<br>RC 0,2µF          |            |            |            | ●      | ●         | ●    | ●     |       |
| #### | e302002     | Connection cable 5 x 1,50<br>complet             |            |            |            | ●      | ●         | ●    | ●     |       |
| #### | e302004     | Connecting cable 5 x 2,5                         |            |            |            | ●      | ●         |      | ●     |       |
| #### | 753491      | Harness control 6/10-11<br>MB/Genius             |            |            |            | ●      | ●         | ●    | ●     |       |
| #### | 753548      | Harnais control Genius/MB<br>6/10-11 hinged      |            |            |            | ●      | ●         | ●    | ●     |       |
| #### | 753688      | Harness low voltage 1011<br>d2k                  |            |            |            | ●      | ●         | ●    | ●     |       |
| #### | 753629      | Harness illumination 6-11<br>d2k                 |            |            |            | ●      | ●         | ●    |       |       |
| #### | 753637      | Harness illumination 1011<br>d2k                 |            |            |            | ●      | ●         | ●    |       |       |

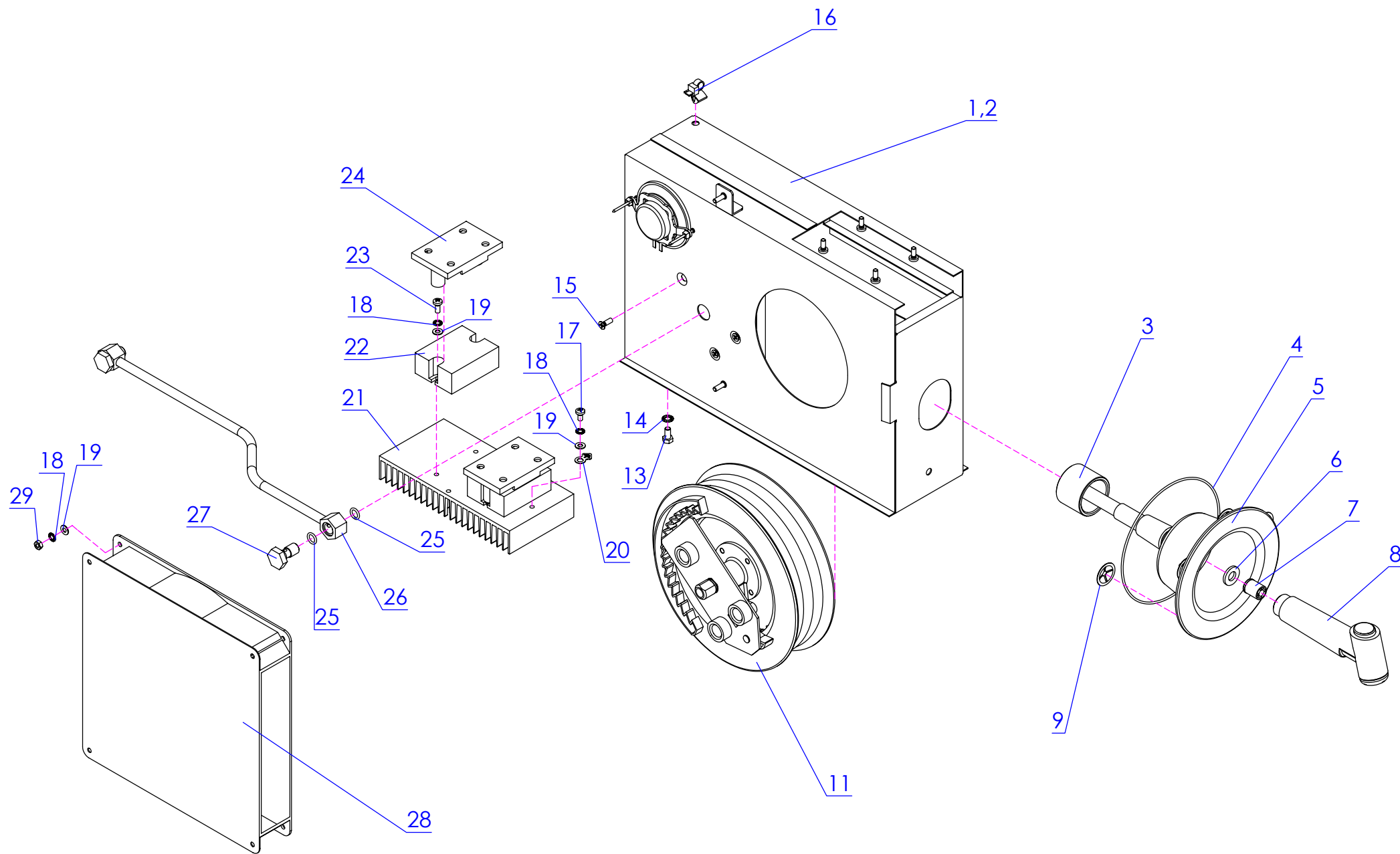
| Pos. | Article no. | Description | Genius Gaz | Multimax A | Multimax B | Genius | Autoclean | 6-11 | 10-11 | 20-11 |
|------|-------------|-------------|------------|------------|------------|--------|-----------|------|-------|-------|
|      |             |             |            |            |            |        |           |      |       |       |
|      |             |             |            |            |            |        |           |      |       |       |
|      |             |             |            |            |            |        |           |      |       |       |
|      |             |             |            |            |            |        |           |      |       |       |
|      |             |             |            |            |            |        |           |      |       |       |
|      |             |             |            |            |            |        |           |      |       |       |
|      |             |             |            |            |            |        |           |      |       |       |
|      |             |             |            |            |            |        |           |      |       |       |
|      |             |             |            |            |            |        |           |      |       |       |
|      |             |             |            |            |            |        |           |      |       |       |
|      |             |             |            |            |            |        |           |      |       |       |
|      |             |             |            |            |            |        |           |      |       |       |
|      |             |             |            |            |            |        |           |      |       |       |
|      |             |             |            |            |            |        |           |      |       |       |
|      |             |             |            |            |            |        |           |      |       |       |
|      |             |             |            |            |            |        |           |      |       |       |
|      |             |             |            |            |            |        |           |      |       |       |
|      |             |             |            |            |            |        |           |      |       |       |
|      |             |             |            |            |            |        |           |      |       |       |
|      |             |             |            |            |            |        |           |      |       |       |
|      |             |             |            |            |            |        |           |      |       |       |
|      |             |             |            |            |            |        |           |      |       |       |
|      |             |             |            |            |            |        |           |      |       |       |



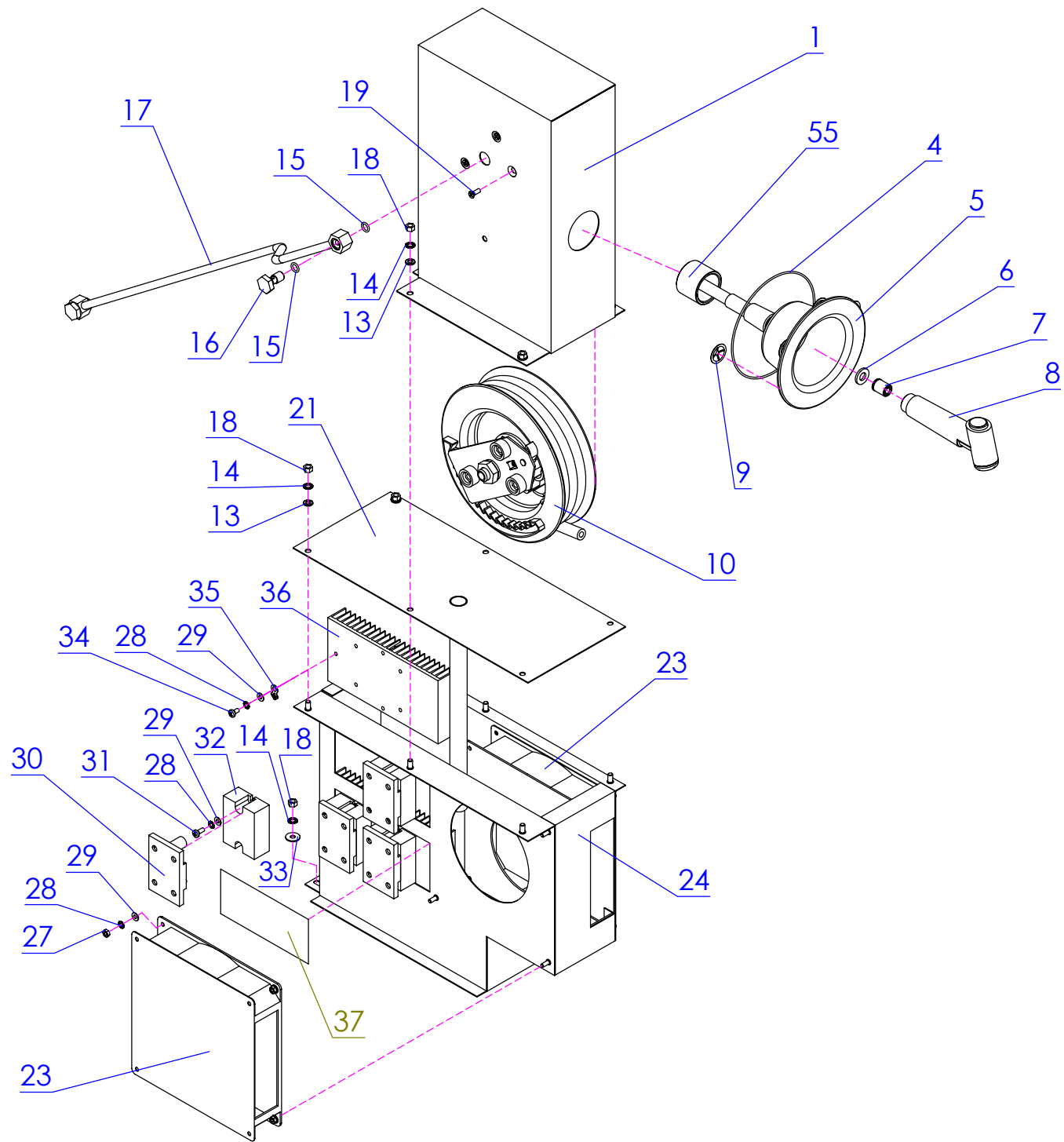
**MA /MB/Genius /Genius Gaz/ 6-11 10-11 20-11**

| Pos. | Article no. | Description                         | Genius Gaz | Multimax A | Multimax B | Genius | Autoclean | 6-11 | 10-11 | 20-11 |
|------|-------------|-------------------------------------|------------|------------|------------|--------|-----------|------|-------|-------|
| 1    | 751901      | Electric mounting plate 20-11 d2k   |            |            | ●          | ●      | ●         |      |       | ●     |
| 2    | e508013     | Washer DIN 125 A 6,4 V2A            |            |            | ●          | ●      | ●         |      |       | ●     |
| 3    | e510015     | Toothed disk DIN 6797 J 6,4 V2A     |            |            | ●          | ●      | ●         |      |       | ●     |
| 4    | e505032     | Hexagonal nut ISO 4032 M6 V2A DI    |            |            | ●          | ●      | ●         |      |       | ●     |
| 5    | e306019     | Rubber socket black PG 16           |            |            | ●          | ●      | ●         |      |       | ●     |
| 6    | e308056     | Bridge rectifier                    |            |            | ●          | ●      | ●         |      |       | ●     |
| 7    | e508012     | Washer DIN 125 A 4,3 V2A            |            |            | ●          | ●      | ●         |      |       | ●     |
| 8    | e510013     | Toothed disk DIN 6797 J 4,3 V2A     |            |            | ●          | ●      | ●         |      |       | ●     |
| 9    | e505031     | Hexagonal nut ISO 4032 M4 V2A DI    |            |            | ●          | ●      | ●         |      |       | ●     |
| 10   | e336029     | Safety thermal release 1-pole 360   |            |            | ●          | ●      | ●         |      |       | ●     |
| 11   | e371010     | End clamp for rail 35 DIN           |            |            | ●          | ●      | ●         |      |       | ●     |
| 12   | 752177      | Auxiliary contactor 4 S             |            |            | ●          | ●      | ●         |      |       | ●     |
| 13   | e324023     | Turning contactor 230 V 50/60       |            |            | ●          | ●      | ●         |      |       | ●     |
| 14   | e371025     | End plate for universal clamp 4qmm  |            |            | ●          | ●      | ●         |      |       | ●     |
| 15   | e371022     | Universal clamp grey 4qmm           |            |            | ●          | ●      | ●         |      |       | ●     |
| 16   | 751790      | Auxiliary switch block 3 closer, 1  |            |            | ●          | ●      | ●         |      |       | ●     |
| 17   | e371009     | End plate fuse clamp                |            |            | ●          | ●      | ●         |      |       | ●     |
| 18   | e373009     | Fuse clamp 35 DIN                   |            |            | ●          | ●      | ●         |      |       | ●     |
| 19   | e362068     | Designation strip "10 A"            |            |            | ●          | ●      | ●         |      |       | ●     |
| 20   | e375002     | Fine fuse 10 A slow 5 x 20 mm       |            |            | ●          | ●      | ●         |      |       | ●     |
| 21   | 742813      | Auxiliary relay 230 V               |            |            | ●          | ●      | ●         |      |       | ●     |
| 22   | 752452      | Intermediate end plate d2k          |            |            | ●          | ●      | ●         |      |       | ●     |
| 23   | e324002     | Contacto DSL 23-10 230 V 50 H       |            |            | ●          | ●      | ●         |      |       | ●     |
| 24   | e308077     | Anti-interference capacitor RC 0,2  |            |            | ●          | ●      | ●         |      |       | ●     |
| 25   | 751839      | Auxiliary switch block for ABB con  |            |            | ●          | ●      | ●         |      |       | ●     |
| 26   | e362044     | Designation strip "L1-PE"           |            |            | ●          | ●      | ●         |      |       | ●     |
| 27   | e371035     | PE clamp 35 qmm g/y                 |            |            | ●          | ●      | ●         |      |       | ●     |
| 28   | 751871      | Terminal 35 qmm 3x10 qmm            |            |            | ●          | ●      | ●         |      |       | ●     |
| 29   | 751898      | Terminal 35 qmm 3x10 qmm            |            |            | ●          | ●      | ●         |      |       | ●     |
| 30   | e362070     | Designation strip "" = connection   |            |            | ●          | ●      | ●         |      |       | ●     |
| 31   | e371014     | Cross bridge 4qmm 281               |            |            | ●          | ●      | ●         |      |       | ●     |
| 33   | e371021     | Universal clamp blue 4qmm           |            |            | ●          | ●      | ●         |      |       | ●     |
| 34   | e362067     | Designation strip "2A"              |            |            | ●          | ●      | ●         |      |       | ●     |
| 35   | e375007     | Fine fuse 2 A slow 5 x 20 mm        |            |            | ●          | ●      | ●         |      |       | ●     |
| 37   | e375013     | Safety fuse 35 A Neozet             |            |            | ●          | ●      | ●         |      |       | ●     |
| 38   | e373021     | Insert 35 A                         |            |            | ●          | ●      | ●         |      |       | ●     |
| 39   | 742767      | Interference filter d2k voltage sup |            |            | ●          | ●      | ●         |      |       | ●     |
| 40   | e373028     | safety element                      |            |            | ●          | ●      | ●         |      |       | ●     |

| Pos. | Article no. | Description                         | Genius Gaz | Multimax A | Multimax B | Genius | Autoclean | 6-11 | 10-11 | 20-11 |
|------|-------------|-------------------------------------|------------|------------|------------|--------|-----------|------|-------|-------|
| 41   | e306025     | Spout DG 36                         |            |            | ●          | ●      | ●         |      |       | ●     |
| 42   | e371041     | Clamp grey 2 conductors with flange |            |            | ●          | ●      | ●         |      |       | ●     |
| 43   | e371037     | Clamp grey 4 conductors             |            |            | ●          | ●      | ●         |      |       | ●     |
| 44   | e371036     | Clamp blue 4 conductors blue        |            |            | ●          | ●      | ●         |      |       | ●     |
| 45   | e371039     | End plate                           |            |            | ●          | ●      | ●         |      |       | ●     |
| #### | 753505      | Harness control d2k 2011            |            |            | ●          | ●      | ●         |      |       | ●     |
| #### | 753696      | Harness low voltage 20-11 d2k       |            |            | ●          | ●      | ●         |      |       | ●     |
| #### | 753645      | Harness illumination 20-11 20-2     |            |            | ●          | ●      | ●         |      |       | ●     |
|      |             |                                     |            |            |            |        |           |      |       |       |
|      |             |                                     |            |            |            |        |           |      |       |       |
|      |             |                                     |            |            |            |        |           |      |       |       |
|      |             |                                     |            |            |            |        |           |      |       |       |
|      |             |                                     |            |            |            |        |           |      |       |       |
|      |             |                                     |            |            |            |        |           |      |       |       |
|      |             |                                     |            |            |            |        |           |      |       |       |
|      |             |                                     |            |            |            |        |           |      |       |       |
|      |             |                                     |            |            |            |        |           |      |       |       |
|      |             |                                     |            |            |            |        |           |      |       |       |
|      |             |                                     |            |            |            |        |           |      |       |       |
|      |             |                                     |            |            |            |        |           |      |       |       |
|      |             |                                     |            |            |            |        |           |      |       |       |
|      |             |                                     |            |            |            |        |           |      |       |       |
|      |             |                                     |            |            |            |        |           |      |       |       |
|      |             |                                     |            |            |            |        |           |      |       |       |
|      |             |                                     |            |            |            |        |           |      |       |       |
|      |             |                                     |            |            |            |        |           |      |       |       |
|      |             |                                     |            |            |            |        |           |      |       |       |
|      |             |                                     |            |            |            |        |           |      |       |       |
|      |             |                                     |            |            |            |        |           |      |       |       |
|      |             |                                     |            |            |            |        |           |      |       |       |
|      |             |                                     |            |            |            |        |           |      |       |       |
|      |             |                                     |            |            |            |        |           |      |       |       |





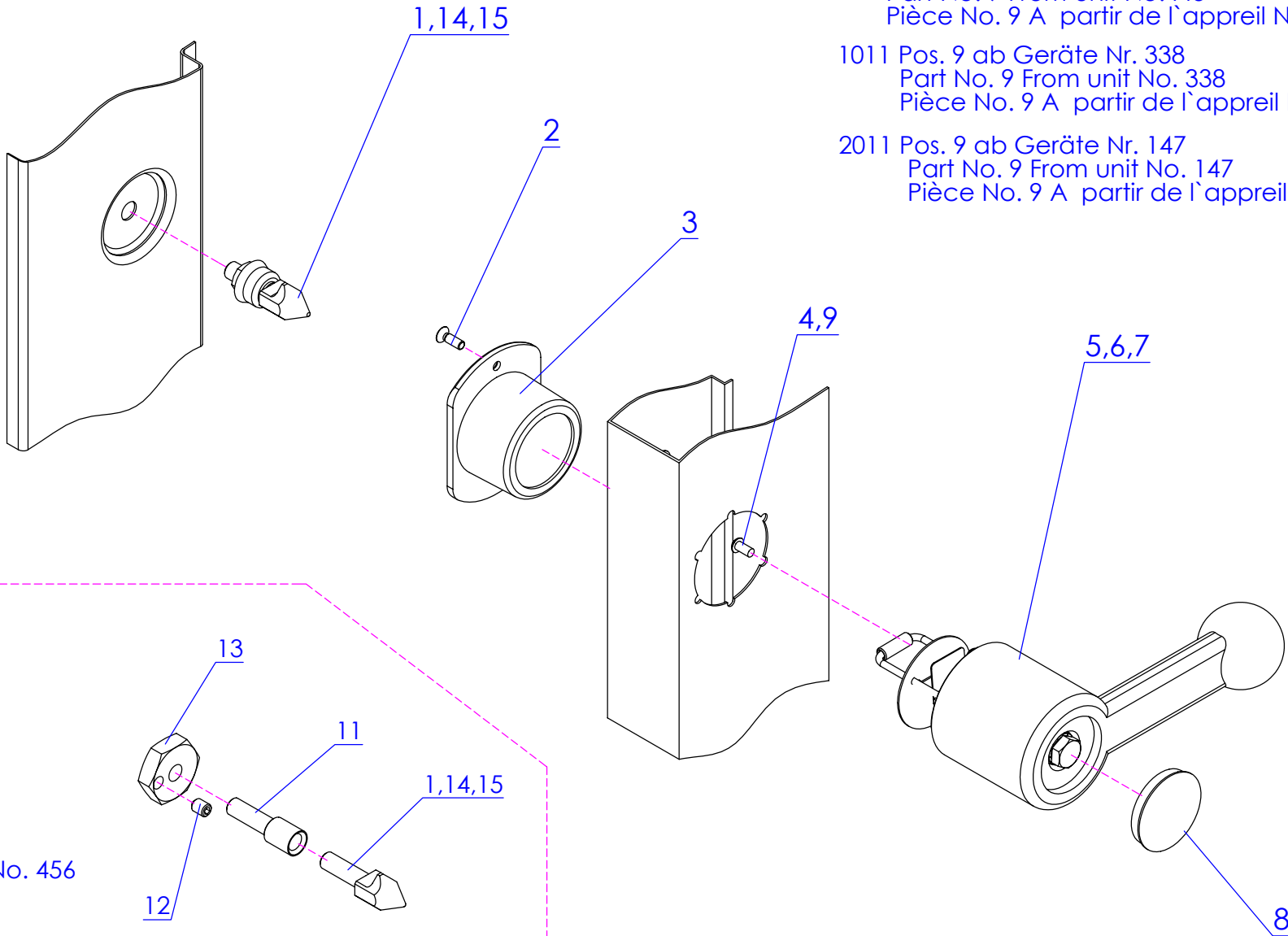




**MA /MB/Genius /Genius Gaz/ 6-11 10-11 20-11**

| <b>Pos.</b> | <b>Article no.</b> | <b>Description</b>                   | Genius Gaz | Multimax A | Multimax B | Genius | Autoclean | 6-11 | 10-11 | 20-11 |
|-------------|--------------------|--------------------------------------|------------|------------|------------|--------|-----------|------|-------|-------|
| 1           | 755419             | Housing tube roller 2011 d2k         | ●          | ●          | ●          | ●      | ●         |      |       | ●     |
| 3           | 753238             | Funnel tube 61011 d2k (handshow)     | ●          | ●          | ●          | ●      | ●         |      |       | ●     |
| 4           | e425154            | O - Ring 1,78 x 120,37 Viton         | ●          | ●          | ●          | ●      | ●         |      |       | ●     |
| 5           | e380079            | Funnel blue RAL 5003 holding sho     | ●          | ●          | ●          | ●      | ●         |      |       | ●     |
| 6           | e425180            | Packing, shower head                 | ●          | ●          | ●          | ●      | ●         |      |       | ●     |
| 7           | 753459             | Non-return valve Autoclean           | ●          | ●          | ●          | ●      | ●         |      |       | ●     |
| 8           | e250059            | Shower head compl. red ED            | ●          | ●          | ●          | ●      | ●         |      |       | ●     |
| 9           | e512075            | Spring nut d=4-7                     | ●          | ●          | ●          | ●      | ●         |      |       | ●     |
| 10          | 753289             | Tube roller 20-11 12/2011 handshowe  | ●          | ●          | ●          | ●      | ●         |      |       | ●     |
| 13          | e508002            | Washer DIN 125 A 5,3 V2A             | ●          | ●          | ●          | ●      | ●         |      |       | ●     |
| 14          | e510014            | Toothed disk DIN 6797 J 5,3 V2A      | ●          | ●          | ●          | ●      | ●         |      |       | ●     |
| 15          | e425026            | O-ring D 9,25 x 1,78 EPDM            | ●          | ●          | ●          | ●      | ●         |      |       | ●     |
| 16          | e440040            | Hollow screw size 1                  | ●          | ●          | ●          | ●      | ●         |      |       | ●     |
| 17          | 753300             | Connecting tube 2011 hose roll-up    | ●          | ●          | ●          | ●      | ●         |      |       | ●     |
| 18          | e505024            | Hexagon nut ISO 4032 M 5 V2A DI      | ●          | ●          | ●          | ●      | ●         |      |       | ●     |
| 19          | e500136            | Countersunk screw DIN 965 M6 x 12 V2 | ●          | ●          | ●          | ●      | ●         |      |       | ●     |
| 20          | e505013            | Hexagonal nut DIN 439 M14 x 1,5,     | ●          | ●          | ●          | ●      | ●         |      |       | ●     |
| 21          | 755443             | Cover roll-up case handshowe         | ●          | ●          | ●          | ●      | ●         |      |       | ●     |
| 23          | 752525             | Axial Blower 1221/2011/ 2021 d2k     | ●          | ●          | ●          | ●      | ●         |      |       | ●     |
| 24          | 755389             | Air shaft 20-11 d2k                  | ●          | ●          | ●          | ●      | ●         |      |       | ●     |
| 27          | e505031            | Hexagonal nut ISO 4032 M4 V2A DI     | ●          | ●          | ●          | ●      | ●         |      |       | ●     |
| 28          | e510013            | Toothed disk DIN 6797 J 4,3 V2A      | ●          | ●          | ●          | ●      | ●         |      |       | ●     |
| 29          | e508012            | Washer DIN 125 A 4,3 V2A             | ●          | ●          | ●          | ●      | ●         |      |       | ●     |
| 30          | e324040            | Cover relay d2k                      | ●          | ●          | ●          | ●      | ●         |      |       | ●     |
| 31          | e500098            | Oval-head screw DIN 7985 M 4x10 V2   | ●          | ●          | ●          | ●      | ●         |      |       | ●     |
| 32          | 752401             | Load relay 50 A 6/10/20-11           | ●          | ●          | ●          | ●      | ●         |      |       | ●     |
| 33          | e508032            | Washer DIN 9021 A 5,3 V2A            | ●          | ●          | ●          | ●      | ●         |      |       | ●     |
| 34          | e500091            | Oval-head screw DIN 7985 N           | ●          | ●          | ●          | ●      | ●         |      |       | ●     |
| 35          | e362136            | Sign "earthing"                      | ●          | ●          | ●          | ●      | ●         |      |       | ●     |
| 36          | 742732             | Cooling element 6/10/2011 d2k        | ●          | ●          | ●          | ●      | ●         |      |       | ●     |
| 37          | 771716             | Cover opening cooling element 12     | ●          | ●          | ●          | ●      | ●         |      |       | ●     |

| <b>Pos.</b> | <b>Article no.</b> | <b>Description</b> | Genius Gaz | Multimax A | Multimax B | Genius | Autoclean | 6-11 | 10-11 | 20-11 |
|-------------|--------------------|--------------------|------------|------------|------------|--------|-----------|------|-------|-------|
|             |                    |                    |            |            |            |        |           |      |       |       |
|             |                    |                    |            |            |            |        |           |      |       |       |
|             |                    |                    |            |            |            |        |           |      |       |       |
|             |                    |                    |            |            |            |        |           |      |       |       |
|             |                    |                    |            |            |            |        |           |      |       |       |
|             |                    |                    |            |            |            |        |           |      |       |       |
|             |                    |                    |            |            |            |        |           |      |       |       |
|             |                    |                    |            |            |            |        |           |      |       |       |
|             |                    |                    |            |            |            |        |           |      |       |       |
|             |                    |                    |            |            |            |        |           |      |       |       |
|             |                    |                    |            |            |            |        |           |      |       |       |
|             |                    |                    |            |            |            |        |           |      |       |       |
|             |                    |                    |            |            |            |        |           |      |       |       |
|             |                    |                    |            |            |            |        |           |      |       |       |
|             |                    |                    |            |            |            |        |           |      |       |       |
|             |                    |                    |            |            |            |        |           |      |       |       |
|             |                    |                    |            |            |            |        |           |      |       |       |
|             |                    |                    |            |            |            |        |           |      |       |       |
|             |                    |                    |            |            |            |        |           |      |       |       |
|             |                    |                    |            |            |            |        |           |      |       |       |
|             |                    |                    |            |            |            |        |           |      |       |       |
|             |                    |                    |            |            |            |        |           |      |       |       |
|             |                    |                    |            |            |            |        |           |      |       |       |
|             |                    |                    |            |            |            |        |           |      |       |       |
|             |                    |                    |            |            |            |        |           |      |       |       |



611 Pos. 9 ab Geräte Nr. 443  
 Part No. 9 From unit No.443  
 Pièce No. 9 A partir de l'appareil No. 443

1011 Pos. 9 ab Geräte Nr. 338  
 Part No. 9 From unit No. 338  
 Pièce No. 9 A partir de l'appareil No. 338

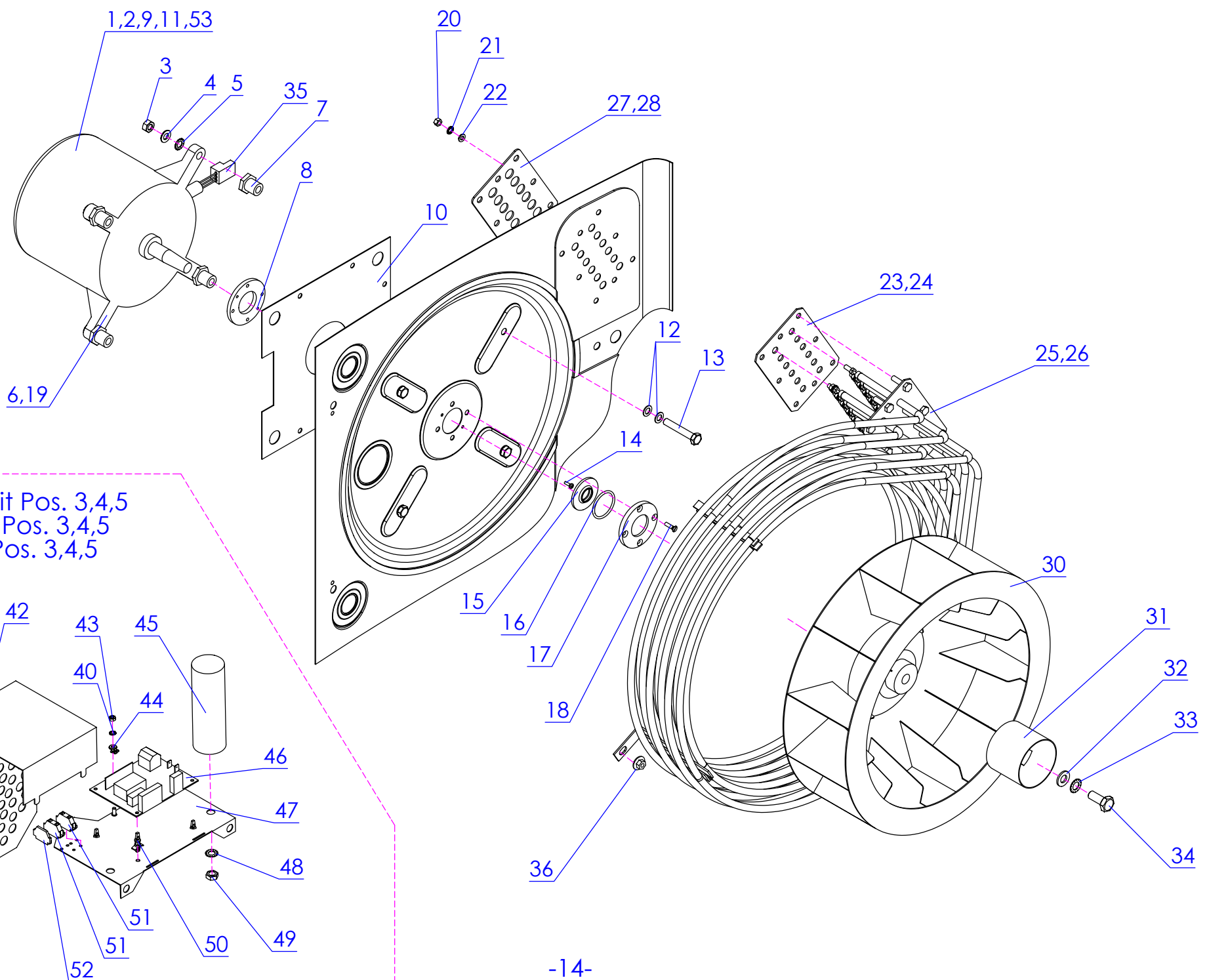
2011 Pos. 9 ab Geräte Nr. 147  
 Part No. 9 From unit No. 147  
 Pièce No. 9 A partir de l'appareil No. 147

611 ab Geräte Nr. 456  
 From unit No. 456  
 A partir de l'appareil No. 456

1011 ab Geräte Nr. 366  
 From unit No. 366  
 A partir de l'appareil No. 366

2011 ab Geräte Nr. 152  
 From unit No.152  
 A partir de l'appareil No. 152





befestigt mit Pos. 3,4,5  
 fasten with Pos. 3,4,5  
 fixer avec Pos. 3,4,5

# MA /MB/Genius /Genius Gaz/ 6-11 10-11 20-11

| Pos. | Article no. | Description                           | Genius Gaz | Multimax A | Multimax B | Genius | Autoclean | 6-11 | 10-11 | 20-11 |
|------|-------------|---------------------------------------|------------|------------|------------|--------|-----------|------|-------|-------|
| 1    | 742740      | Motor L9 EB 50 4/8 poles              | 6/10/20-11 |            | ●          | ●      | ●         | ●    | ●     | ●     |
| 2    | 748501      | Motor L9 EB 50 4-poles                |            | ●          |            |        | ●         | ●    | ●     | ●     |
| 3    | e505033     | Hexagonal nut ISO 4032 M8 V2A DI      | ●          |            |            | ●      | ●         | ●    | ●     | ●     |
| 4    | e508017     | Washer DIN 125 A 8,4 V2A              | ●          | ●          | ●          | ●      | ●         | ●    | ●     | ●     |
| 5    | e510016     | Toothed disk DIN 6797 J 8,4 V2A       | ●          | ●          | ●          | ●      | ●         | ●    | ●     | ●     |
| 6    | e390077     | Cooling wheel f. motor L9 EB 100/4-8  | ●          | ●          | ●          | ●      | ●         | ●    | ●     | ●     |
| 7    | 743615      | Distance bushing motor 6/10-11 d2k    | ●          | ●          | ●          | ●      | ●         | ●    | ●     | ●     |
| 8    | e412037     | Shaft packing gasket MA               | ●          | ●          | ●          | ●      | ●         | ●    | ●     | ●     |
| 9    | 765945      | Motor 8 poles EB 50 61011 201         | ●          |            |            | ●      | ●         | ●    | ●     | ●     |
| 10   | 747785      | Motor insulating plate 611 1011 2     | ●          | ●          | ●          | ●      | ●         | ●    | ●     | ●     |
| 11   | e316025     | Speed counter motor d2k               | ●          | ●          | ●          | ●      | ●         | ●    | ●     | ●     |
| 12   | e427038     | Copper gasket                         | ●          | ●          | ●          | ●      | ●         | ●    | ●     | ●     |
| 13   | 749389      | Hexagon cap screw ISO4017 M 8x50 V2A  | ●          | ●          | ●          | ●      | ●         | ●    | ●     | ●     |
| 14   | e500095     | Oval-head screw DIN 7985 M 3x10 V2A   | ●          | ●          | ●          | ●      | ●         | ●    | ●     | ●     |
| 15   | e425063     | Shaft packing ring 16x41x3 L7         | ●          | ●          | ●          | ●      | ●         | ●    | ●     | ●     |
| 16   | e425066     | O-ring 34,59 x 2,62 Viton             | ●          | ●          | ●          | ●      | ●         | ●    | ●     | ●     |
| 17   | e412089     | Shaft packing flange E                | ●          | ●          | ●          | ●      | ●         | ●    | ●     | ●     |
| 18   | e500130     | Countersunk screw DIN 965 M4 x 16 V2A | ●          | ●          | ●          | ●      | ●         | ●    | ●     | ●     |
| 19   | e500203     | Stud bolt DIN 914 M4 x 8 V2A          | ●          | ●          | ●          | ●      | ●         | ●    | ●     | ●     |
| 20   | e505024     | Hexagon nut ISO 4032 M 5 V2A DI       |            | ●          | ●          | ●      | ●         | ●    | ●     | ●     |
| 21   | e510014     | Toothed disk DIN 6797 J 5,3 V2A       |            | ●          | ●          | ●      | ●         | ●    | ●     | ●     |
| 22   | e508002     | Washer DIN 125 A 5,3 V2A              |            | ●          | ●          | ●      | ●         | ●    | ●     | ●     |
| 23   | 749451      | Gasket heater element 10/20-11,11     |            | ●          | ●          | ●      | ●         |      | ●     | ●     |
| 24   | 749427      | Gasket heater element 6-11 d2k        |            | ●          | ●          | ●      | ●         | ●    |       |       |
| 25   | 742414      | Heater element 10.5 kW 6-11 d2k       |            | ●          | ●          | ●      | ●         | ●    |       |       |
| 26   | 742422      | Heater element 21,6 kW 10-11 20-11    |            | ●          | ●          | ●      | ●         |      | ●     | ●     |
| 27   | 757993      | Counter flange heater element 10-11   |            | ●          | ●          | ●      | ●         |      | ●     | ●     |
| 28   | 757985      | Counter flange heater element 6-11    | ●          | ●          | ●          | ●      | ●         | ●    |       |       |
| 30   | 743372      | Fan wheel 350x110 6/10/20-11          | ●          | ●          | ●          | ●      | ●         | ●    | ●     | ●     |
| 31   | e412075     | distribution bushing humidifier,      | ●          | ●          | ●          | ●      | ●         | ●    | ●     | ●     |
| 32   | e508014     | Washer DIN 125 A 10,5 V2A             | ●          | ●          | ●          | ●      | ●         | ●    | ●     | ●     |
| 33   | e510017     | Toothed disk DIN 6797 J 10,5 V2A      | ●          | ●          | ●          | ●      | ●         | ●    | ●     | ●     |
| 34   | 749397      | Hexagon cap screw ISO4017 M 10x25 V2A | ●          | ●          | ●          | ●      | ●         | ●    | ●     | ●     |
| 35   | 749281      | Plug 3 poles straight                 | ●          | ●          | ●          | ●      | ●         | ●    | ●     | ●     |
| 36   | e505117     | Disk nut M5 V2A                       |            | ●          | ●          | ●      | ●         | ●    | ●     | ●     |
| 39   | e500098     | Oval-head screw DIN 7985 M 4x10 V2A   | ●          |            |            |        | ●         | ●    | ●     | ●     |
| 40   | e510013     | Toothed disk DIN 6797 J 4,3 V2A       | ●          |            |            |        | ●         | ●    | ●     | ●     |
| 41   | e508012     | Washer DIN 125 A 4,3 V2A              | ●          |            |            |        | ●         | ●    | ●     | ●     |

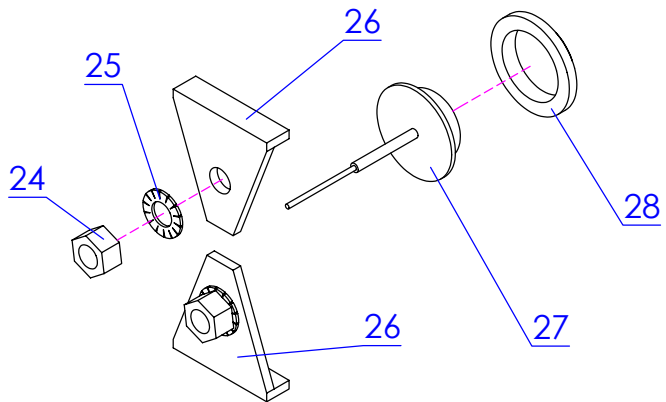
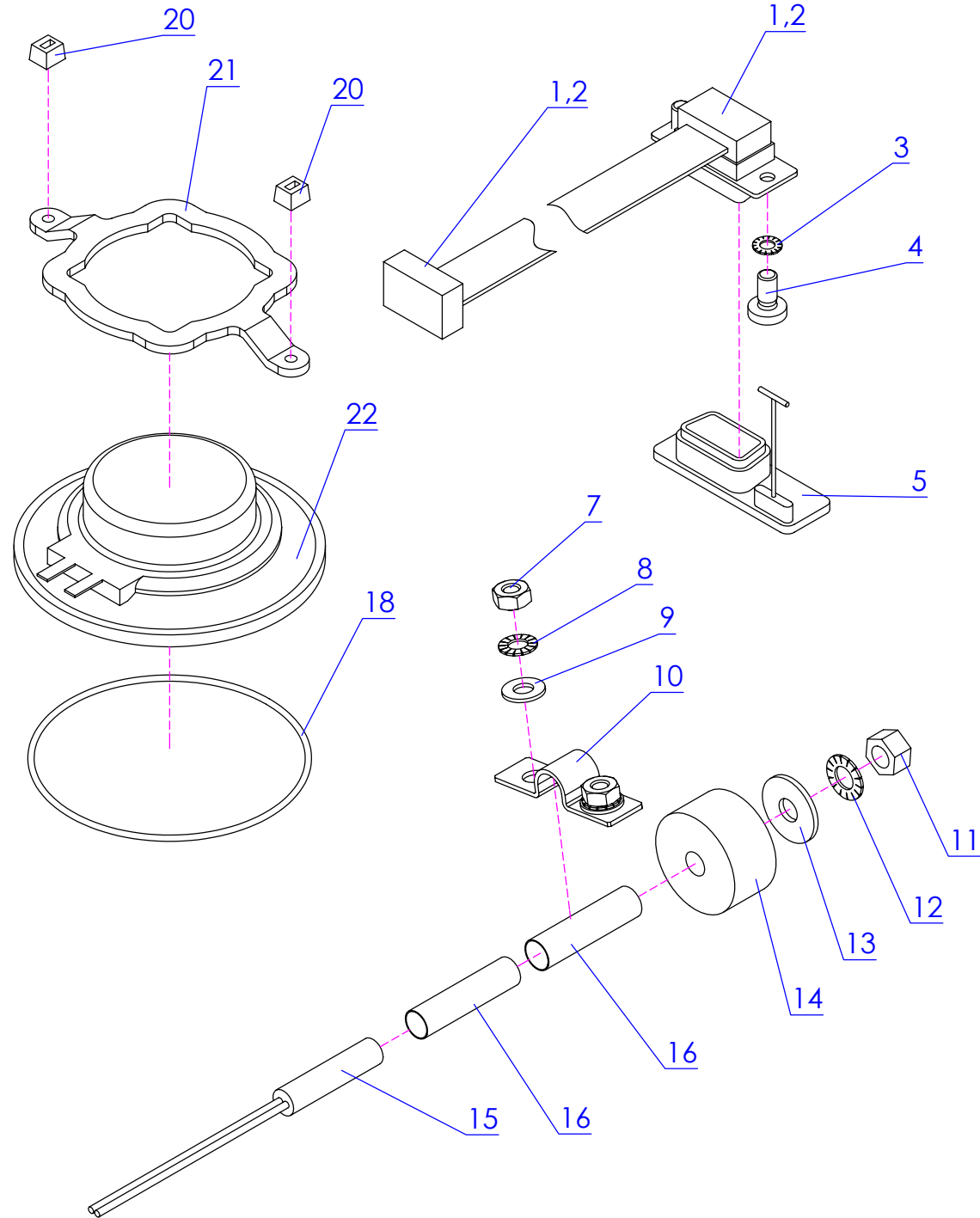
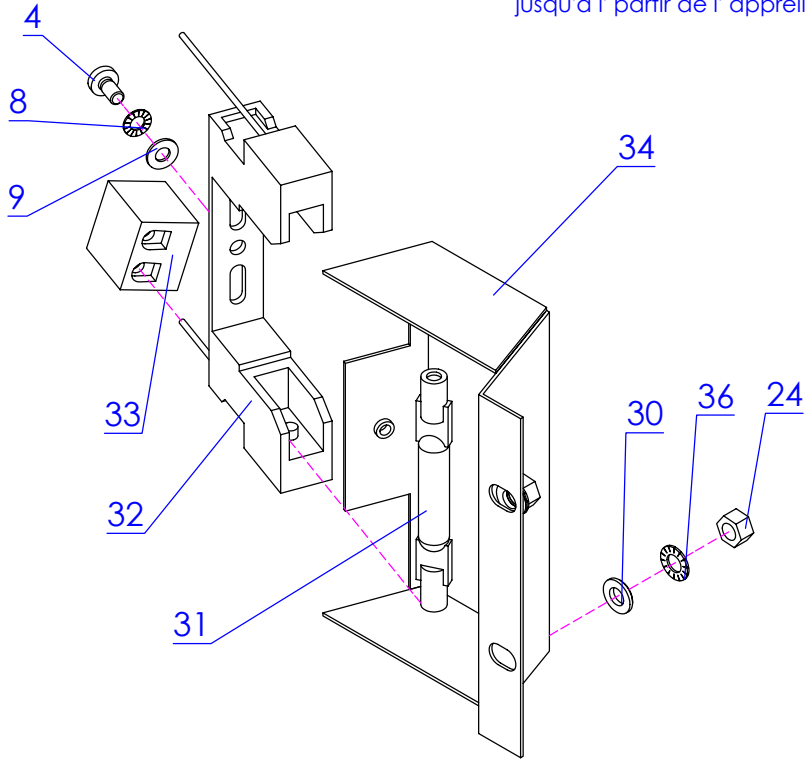
| Pos. | Article no. | Description                         | Genius Gaz | Multimax A | Multimax B | Genius | Autoclean | 6-11 | 10-11 | 20-11 |
|------|-------------|-------------------------------------|------------|------------|------------|--------|-----------|------|-------|-------|
| 42   | 768391      | Cover el. board d2k gas             | ●          |            |            |        | ●         | ●    | ●     | ●     |
| 43   | e505031     | Hexagonal nut ISO 4032 M4 V2A DI    | ●          |            |            |        | ●         | ●    | ●     | ●     |
| 44   | e362136     | Sign "earthing"                     | ●          |            |            |        | ●         | ●    | ●     | ●     |
| 45   | 765678      | Motor condenser 25uF 280V           | ●          |            |            |        | ●         | ●    | ●     | ●     |
| 46   | 743992      | Automatic gas firing d2k            | ●          |            |            |        | ●         | ●    | ●     | ●     |
| 46   | 743992      | Automatic gas firing d2k            | ●          |            |            |        | ●         | ●    | ●     | ●     |
| 47   | 765961      | Mounting plate autom. gas apparatus | ●          |            |            |        | ●         | ●    | ●     | ●     |
| 48   | e510016     | Toothed disk DIN 6797 J 8,4 V2A     | ●          |            |            |        | ●         | ●    | ●     | ●     |
| 49   | e505033     | Hexagonal nut ISO 4032 M8 V2A DI    | ●          |            |            |        | ●         | ●    | ●     | ●     |
| 50   | 749834      | Spacer for control board            | ●          |            |            |        | ●         | ●    | ●     | ●     |
| 51   | e371041     | Clamp grey 2 conductors with flange | ●          |            |            |        | ●         | ●    | ●     | ●     |
| 52   | e371039     | End plate                           | ●          |            |            |        | ●         | ●    | ●     | ●     |
| 53   | 765945      | Motor 8 poles EB 50 61011 201       | ●          |            |            |        | ●         | ●    | ●     | ●     |
| #### | 755761      | Star bridge, heating 2,5 bw l= 1    | ●          | ●          | ●          | ●      | ●         | ●    | ●     | ●     |
| #### | 755788      | Star bridge, heating 4 b/w, l=15    | ●          | ●          | ●          | ●      | ●         | ●    | ●     | ●     |
| #### | 755796      | Star bridge, heating 6 bw l=200     | ●          | ●          | ●          | ●      | ●         | ●    | ●     | ●     |
| #### | 753556      | Harness heating MA 6-11 d2k         |            | ●          |            |        | ●         | ●    |       |       |
| #### | 753564      | Harness heating MB/Genius 6-11 d2k  | ●          |            | ●          | ●      | ●         | ●    |       |       |
| #### | 753572      | Harness heating MA 10-11 d2k        |            | ●          |            |        | ●         |      | ●     |       |
| #### | 753580      | Harness heating MB/Genius 10-11 d2k | ●          |            | ●          | ●      | ●         |      | ●     |       |
| #### | 755095      | Harness heating MA 2011 d2k         |            | ●          |            |        | ●         |      |       | ●     |
| #### | 753599      | Harness heating d2k 2011            | ●          |            | ●          | ●      | ●         |      |       | ●     |
|      |             |                                     |            |            |            |        |           |      |       |       |
|      |             |                                     |            |            |            |        |           |      |       |       |
|      |             |                                     |            |            |            |        |           |      |       |       |
|      |             |                                     |            |            |            |        |           |      |       |       |
|      |             |                                     |            |            |            |        |           |      |       |       |
|      |             |                                     |            |            |            |        |           |      |       |       |
|      |             |                                     |            |            |            |        |           |      |       |       |
|      |             |                                     |            |            |            |        |           |      |       |       |
|      |             |                                     |            |            |            |        |           |      |       |       |
|      |             |                                     |            |            |            |        |           |      |       |       |
|      |             |                                     |            |            |            |        |           |      |       |       |
|      |             |                                     |            |            |            |        |           |      |       |       |
|      |             |                                     |            |            |            |        |           |      |       |       |
|      |             |                                     |            |            |            |        |           |      |       |       |
|      |             |                                     |            |            |            |        |           |      |       |       |
|      |             |                                     |            |            |            |        |           |      |       |       |
|      |             |                                     |            |            |            |        |           |      |       |       |
|      |             |                                     |            |            |            |        |           |      |       |       |

Achtung! Aufbauänderung siehe Seite 26  
Attention! Modified construction see page 26  
Attention! Construction modifiée voir page 26

611 bis Geräte Nr. 227  
Up to unit No. 227  
jusqu'à l' partir de l'appreil No. 227

1011 bis Geräte Nr. 188  
Up to unit No. 188  
jusqu'à l' partir de l'appreil No. 188

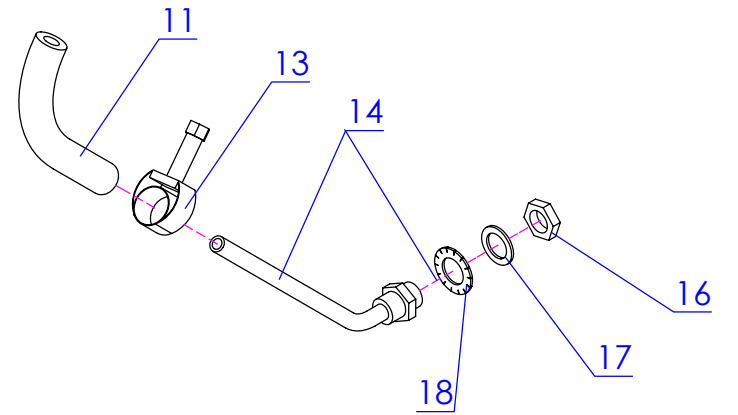
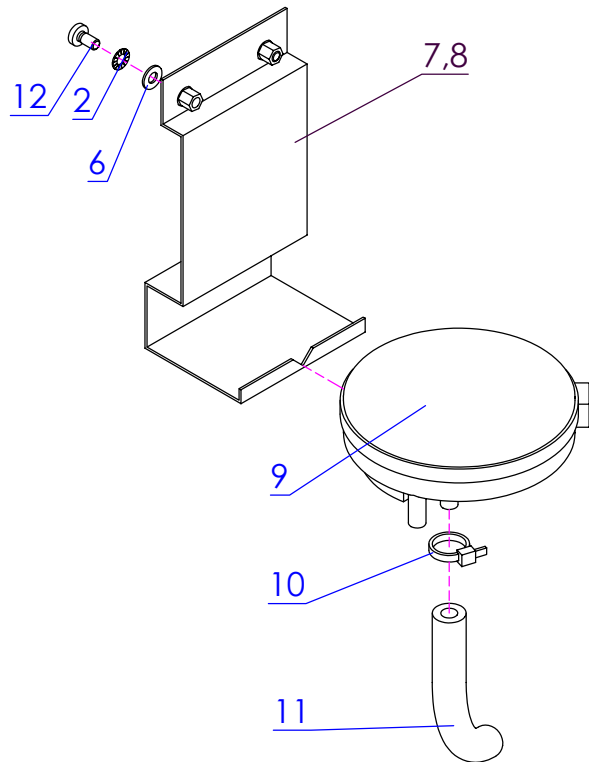
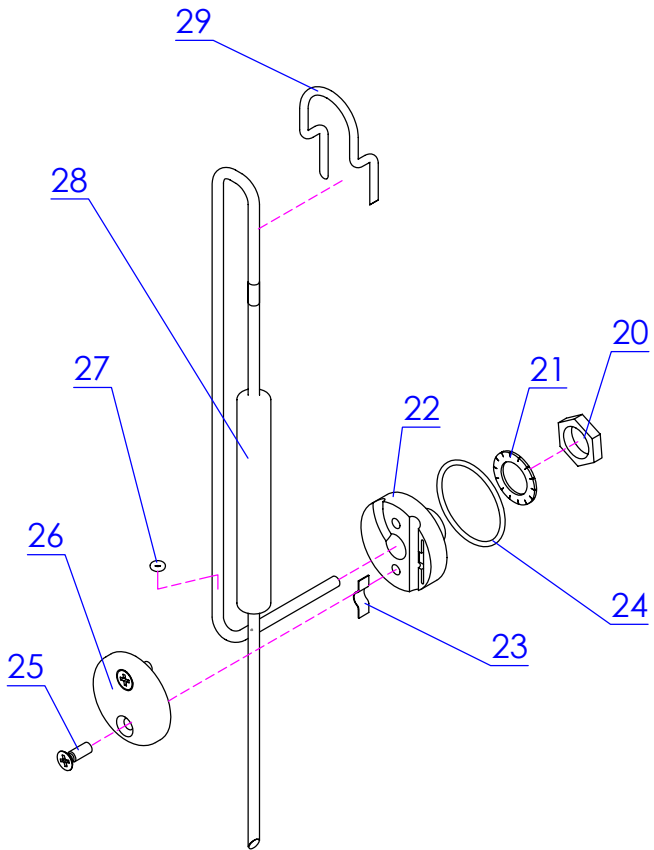
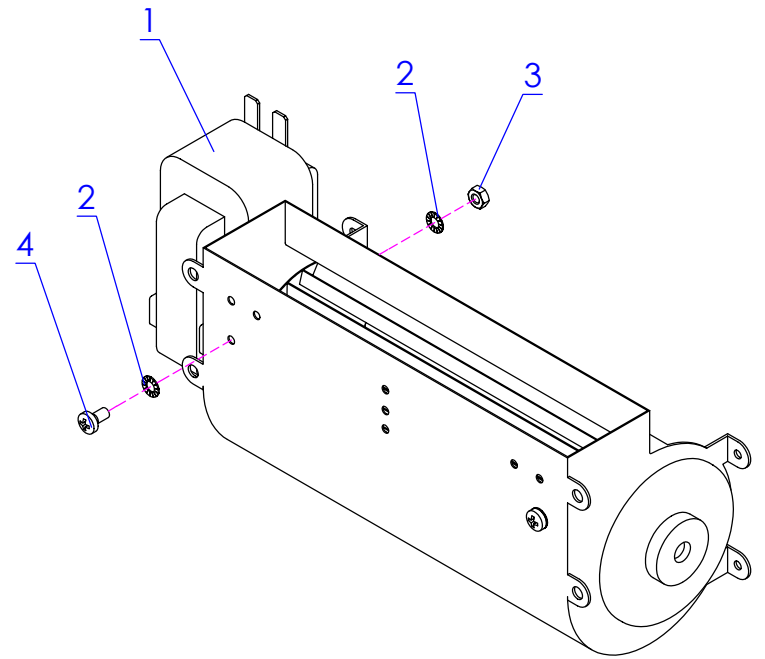
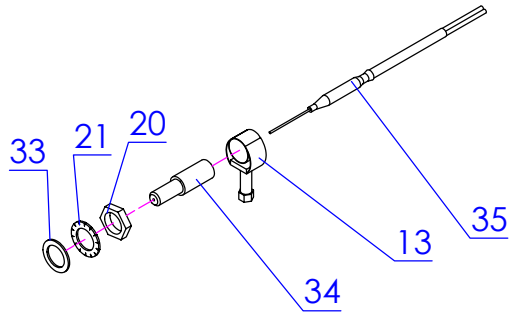
2011 bis Geräte Nr. 109  
Up to unit No. 109  
jusqu'à l' partir de l' appareil No. 109



**MA /MB/Genius /Genius Gaz/ 6-11 10-11 20-11**

| Pos. | Article no. | Description                            | Genius Gaz | Multimax A | Multimax B | Genius | Autoclean | 6-11 | 10-11 | 20-11 |
|------|-------------|--|------------|------------|------------|--------|-----------|------|-------|-------|
| 1    | e302105     | Connection cable HACCP RS FBK plu      | ●          |            | ●          | ●      | ●         |      |       | ●     |
| 2    | e302110     | Connecting cable HACCP                 |            | ●          |            |        | ●         | ●    |       |       |
| 3    | e510020     | Toothed disk DIN 6797 J 3,2 V2A        | ●          | ●          | ●          | ●      | ●         | ●    | ●     | ●     |
| 4    | e500279     | Oval-head screw DIN 7985 M3 x 8 V2A    | ●          | ●          | ●          | ●      | ●         | ●    | ●     | ●     |
| 5    | e407073     | Cover blue/99 for RS serial interf     | ●          | ●          | ●          | ●      | ●         | ●    | ●     | ●     |
| 7    | e505031     | Hexagonal nut ISO 4032 M4 V2A DI       | ●          | ●          | ●          | ●      | ●         | ●    | ●     | ●     |
| 8    | e510013     | Toothed disk DIN 6797 J 4,3 V2A        | ●          | ●          | ●          | ●      | ●         | ●    | ●     | ●     |
| 9    | e508012     | Washer DIN 125 A 4,3 V2A               | ●          | ●          | ●          | ●      | ●         | ●    | ●     | ●     |
| 10   | e422026     | Half clip, core temperat.              | ●          | ●          | ●          | ●      | ●         | ●    | ●     | ●     |
| 11   | e505024     | Hexagon nut ISO 4032 M 5 V2A D         | ●          | ●          | ●          | ●      | ●         | ●    | ●     | ●     |
| 12   | e510014     | Toothed disk DIN 6797 J 5,3 V2A        | ●          | ●          | ●          | ●      | ●         | ●    | ●     | ●     |
| 13   | e508032     | Washer DIN 9021 A 5,3 V2A              | ●          | ●          | ●          | ●      | ●         | ●    | ●     | ●     |
| 14   | e322010     | Magnet 20x10 with red cap              | ●          | ●          | ●          | ●      | ●         | ●    | ●     | ●     |
| 15   | e320072     | Magnetic switch                        | ●          | ●          | ●          | ●      | ●         | ●    | ●     | ●     |
| 16   | e306023     | Rubber funnel A2 M for cable eyes      | ●          | ●          | ●          | ●      | ●         | ●    | ●     | ●     |
| 18   | e425214     | O-ring 57x1,3, NBR SH 75 black         | ●          | ●          | ●          | ●      | ●         | ●    | ●     | ●     |
| 20   | e422040     | Cable binder 160x2.5                   | ●          | ●          | ●          | ●      | ●         | ●    | ●     | ●     |
| 21   | 758582      | Holder loudspeaker d2k                 | ●          | ●          | ●          | ●      | ●         | ●    | ●     | ●     |
| 22   | 749877      | Loudspeaker d2k B/C                    | ●          | ●          | ●          | ●      | ●         | ●    | ●     | ●     |
| 24   | e505024     | Hexagon nut ISO 4032 M 5 V2A D         | ●          | ●          | ●          | ●      | ●         | ●    | ●     | ●     |
| 25   | e510014     | Toothed disk DIN 6797 J 5,3 V2A        | ●          | ●          | ●          | ●      | ●         | ●    | ●     | ●     |
| 26   | e485032     | Holder,safety temperature limiter 29x2 | ●          | ●          | ●          | ●      | ●         | ●    | ●     | ●     |
| 27   | e336029     | Safety thermal release 1-pole 360      | ●          | ●          | ●          | ●      | ●         | ●    | ●     | ●     |
| 28   | e412073     | Centric bushing D 21 x 15 x            | ●          | ●          | ●          | ●      | ●         | ●    | ●     | ●     |
| 30   | e508002     | Washer DIN 125 A 5,3 V2A               |            | ●          | ●          | ●      | ●         | ●    | ●     | ●     |
| 31   | 742805      | Halogen rod lamp 230V/60W conversion   |            | ●          | ●          | ●      | ●         | ●    | ●     | ●     |
| 32   | 742791      | Lamp socket                            |            | ●          | ●          | ●      | ●         | ●    | ●     | ●     |
| 33   | e371028     | Light clamp 15 A 2 poles               |            | ●          | ●          | ●      | ●         | ●    | ●     | ●     |
| 34   | 742236      | Reflector d2k illumination             |            | ●          | ●          | ●      | ●         | ●    | ●     | ●     |

| Pos. | Article no. | Description | Genius Gaz | Multimax A | Multimax B | Genius | Autoclean | 6-11 | 10-11 | 20-11 |
|------|-------------|-------------|------------|------------|------------|--------|-----------|------|-------|-------|
|      |             |             |            |            |            |        |           |      |       |       |
|      |             |             |            |            |            |        |           |      |       |       |
|      |             |             |            |            |            |        |           |      |       |       |
|      |             |             |            |            |            |        |           |      |       |       |
|      |             |             |            |            |            |        |           |      |       |       |
|      |             |             |            |            |            |        |           |      |       |       |
|      |             |             |            |            |            |        |           |      |       |       |
|      |             |             |            |            |            |        |           |      |       |       |
|      |             |             |            |            |            |        |           |      |       |       |
|      |             |             |            |            |            |        |           |      |       |       |
|      |             |             |            |            |            |        |           |      |       |       |
|      |             |             |            |            |            |        |           |      |       |       |
|      |             |             |            |            |            |        |           |      |       |       |
|      |             |             |            |            |            |        |           |      |       |       |
|      |             |             |            |            |            |        |           |      |       |       |
|      |             |             |            |            |            |        |           |      |       |       |
|      |             |             |            |            |            |        |           |      |       |       |
|      |             |             |            |            |            |        |           |      |       |       |
|      |             |             |            |            |            |        |           |      |       |       |
|      |             |             |            |            |            |        |           |      |       |       |
|      |             |             |            |            |            |        |           |      |       |       |
|      |             |             |            |            |            |        |           |      |       |       |
|      |             |             |            |            |            |        |           |      |       |       |
|      |             |             |            |            |            |        |           |      |       |       |
|      |             |             |            |            |            |        |           |      |       |       |
|      |             |             |            |            |            |        |           |      |       |       |
|      |             |             |            |            |            |        |           |      |       |       |
|      |             |             |            |            |            |        |           |      |       |       |



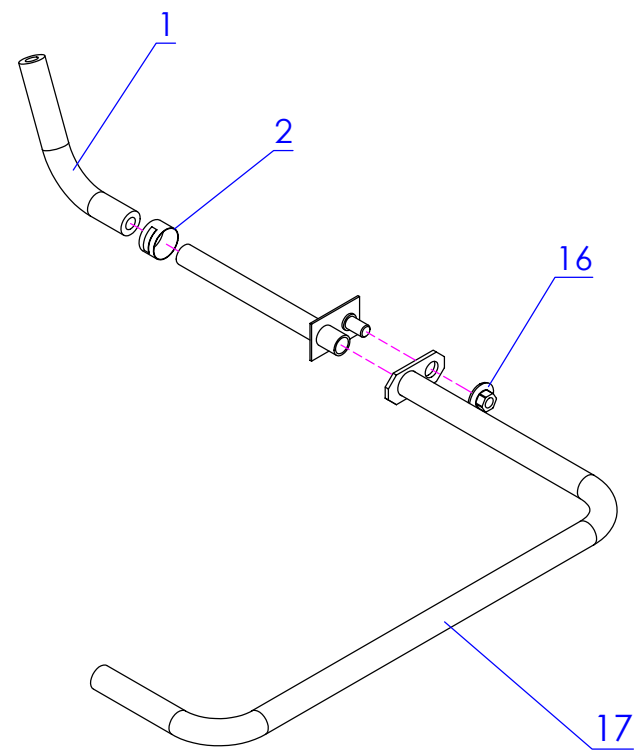
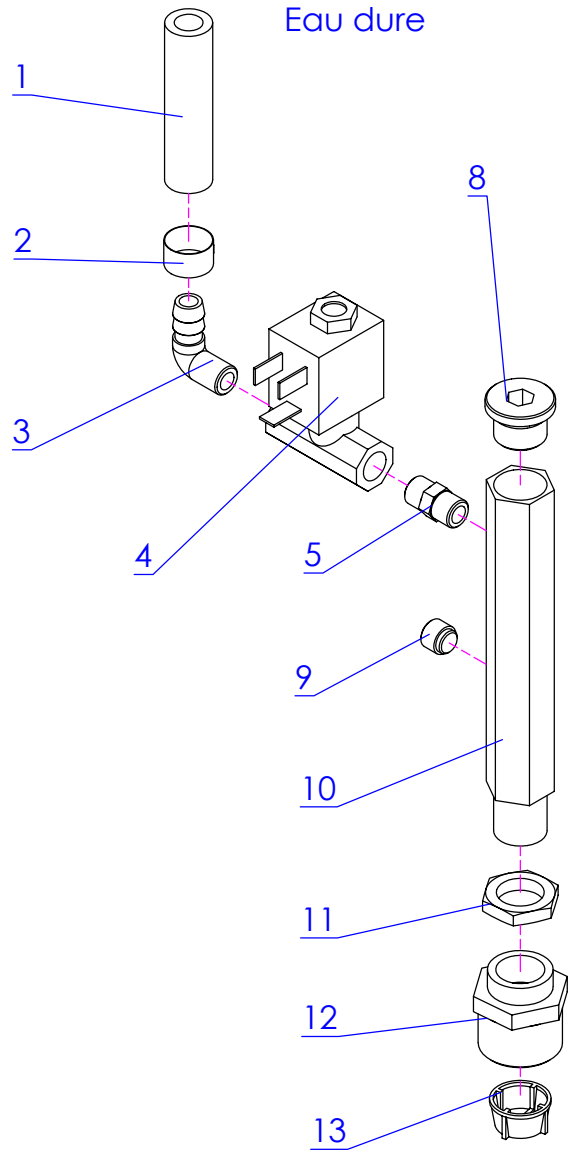


**MA /MB/Genius /Genius Gaz/ 6-11 10-11 20-11**

| Pos. | Article no. | Description                          | Genius Gaz | Multimax A | Multimax B | Genius | Autoclean | 6-11 | 10-11 | 20-11 |
|------|-------------|--------------------------------------|------------|------------|------------|--------|-----------|------|-------|-------|
| 1    | e390023     | Cross flow fan 180 mm                | ●          | ●          | ●          | ●      | ●         |      |       | ●     |
| 2    | e510013     | Toothed disk DIN 6797 J 4,3 V2A      | ●          | ●          | ●          | ●      | ●         | ●    | ●     | ●     |
| 3    | e505031     | Hexagonal nut ISO 4032 M4 V2A DI     | ●          | ●          | ●          | ●      | ●         | ●    | ●     | ●     |
| 4    | e500091     | Oval-head screw DIN 7985 N           | ●          | ●          | ●          | ●      | ●         | ●    | ●     | ●     |
| 6    | e508012     | Washer DIN 125 A 4,3 V2A             | ●          | ●          | ●          | ●      | ●         | ●    | ●     | ●     |
| 7    | 745626      | Holder differential pressure pr      | ●          | ●          | ●          | ●      | ●         | ●    | ●     |       |
| 8    | 757918      | Holder probe pressure differential   | ●          | ●          | ●          | ●      | ●         |      |       | ●     |
| 9    | 752479      | Differential pressure probe d2k      | ●          | ●          | ●          | ●      | ●         | ●    | ●     | ●     |
| 10   | e422040     | Cable binder 160x2.5                 | ●          | ●          | ●          | ●      | ●         | ●    | ●     | ●     |
| 11   | e444055     | Silicone hose 6X3 transparent        | ●          | ●          | ●          | ●      | ●         | ●    | ●     | ●     |
| 12   | e500091     | Oval-head screw DIN 7985 N           | ●          | ●          | ●          | ●      | ●         | ●    | ●     | ●     |
| 13   | e422017     | Hose clip D 14                       | ●          | ●          | ●          | ●      | ●         | ●    | ●     | ●     |
| 14   | 748919      | Threaded nozzle, differential pres   | ●          | ●          | ●          | ●      | ●         | ●    | ●     | ●     |
| 16   | e505102     | Nut G 1/8                            | ●          | ●          | ●          | ●      | ●         | ●    | ●     | ●     |
| 17   | e427020     | Copper gasket heater element; D      | ●          | ●          | ●          | ●      | ●         | ●    | ●     | ●     |
| 18   | e510017     | Toothed disk DIN 6797 J 10,5 V2A     | ●          | ●          | ●          | ●      | ●         | ●    | ●     | ●     |
| 20   | e505045     | Nut 1/4"                             | ●          | ●          | ●          | ●      | ●         | ●    | ●     | ●     |
| 21   | e510018     | Toothed disk DIN 6797 J 12,5 V2A     | ●          | ●          | ●          | ●      | ●         | ●    | ●     | ●     |
| 22   | 743356      | Holder core temperature part 2 d2k   | ●          | ●          | ●          | ●      | ●         | ●    | ●     | ●     |
| 23   | 743364      | Spring holder core temp. d2k         | ●          | ●          | ●          | ●      | ●         | ●    | ●     | ●     |
| 24   | 743585      | O-ring 29,87 x 178 silicon d2k       | ●          | ●          | ●          | ●      | ●         | ●    | ●     | ●     |
| 25   | e500130     | Countersunk screw DIN 965 M4 x 16 V2 | ●          | ●          | ●          | ●      | ●         | ●    | ●     | ●     |
| 26   | 743348      | Holder core temperature part 1 d2k   | ●          | ●          | ●          | ●      | ●         | ●    | ●     | ●     |
| 27   | e425020     | O-ring, 3,68x1,78 VITON              | ●          | ●          | ●          | ●      | ●         | ●    | ●     | ●     |
| 28   | 752363      | Core temperature probe L=3500 mn     | ●          | ●          | ●          | ●      | ●         | ●    | ●     | ●     |
| 29   | 745464      | Protecting sieve NiCrNi probe with   | ●          | ●          | ●          | ●      | ●         | ●    | ●     | ●     |
| 33   | e427059     | Sealing ring nickeled CU 13 x 19 x 1 | ●          | ●          | ●          | ●      | ●         | ●    | ●     | ●     |
| 34   | e410013     | Teflon insert NiCrNi sensor MD       | ●          | ●          | ●          | ●      | ●         | ●    | ●     | ●     |
| 35   | e316004     | Thermoelement sensor Ni-Cr-Ni MI     | ●          | ●          | ●          | ●      | ●         | ●    | ●     | ●     |
| #### | 753947      | Harness probe 6/10-11 d2k            | ●          | ●          | ●          | ●      | ●         | ●    | ●     |       |
| #### | e304354     | Harness probe Genius 2011 d2k        | ●          |            |            | ●      | ●         |      |       | ●     |
|      |             |                                      |            |            |            |        |           |      |       |       |
|      |             |                                      |            |            |            |        |           |      |       |       |
|      |             |                                      |            |            |            |        |           |      |       |       |
|      |             |                                      |            |            |            |        |           |      |       |       |
|      |             |                                      |            |            |            |        |           |      |       |       |
|      |             |                                      |            |            |            |        |           |      |       |       |
|      |             |                                      |            |            |            |        |           |      |       |       |
|      |             |                                      |            |            |            |        |           |      |       |       |
|      |             |                                      |            |            |            |        |           |      |       |       |
|      |             |                                      |            |            |            |        |           |      |       |       |
|      |             |                                      |            |            |            |        |           |      |       |       |

| Pos. | Article no. | Description | Genius Gaz | Multimax A | Multimax B | Genius | Autoclean | 6-11 | 10-11 | 20-11 |
|------|-------------|-------------|------------|------------|------------|--------|-----------|------|-------|-------|
|      |             |             |            |            |            |        |           |      |       |       |
|      |             |             |            |            |            |        |           |      |       |       |
|      |             |             |            |            |            |        |           |      |       |       |
|      |             |             |            |            |            |        |           |      |       |       |
|      |             |             |            |            |            |        |           |      |       |       |
|      |             |             |            |            |            |        |           |      |       |       |
|      |             |             |            |            |            |        |           |      |       |       |
|      |             |             |            |            |            |        |           |      |       |       |
|      |             |             |            |            |            |        |           |      |       |       |
|      |             |             |            |            |            |        |           |      |       |       |
|      |             |             |            |            |            |        |           |      |       |       |
|      |             |             |            |            |            |        |           |      |       |       |
|      |             |             |            |            |            |        |           |      |       |       |
|      |             |             |            |            |            |        |           |      |       |       |
|      |             |             |            |            |            |        |           |      |       |       |
|      |             |             |            |            |            |        |           |      |       |       |
|      |             |             |            |            |            |        |           |      |       |       |
|      |             |             |            |            |            |        |           |      |       |       |
|      |             |             |            |            |            |        |           |      |       |       |
|      |             |             |            |            |            |        |           |      |       |       |

Hartwasser  
Hard water  
Eau dure

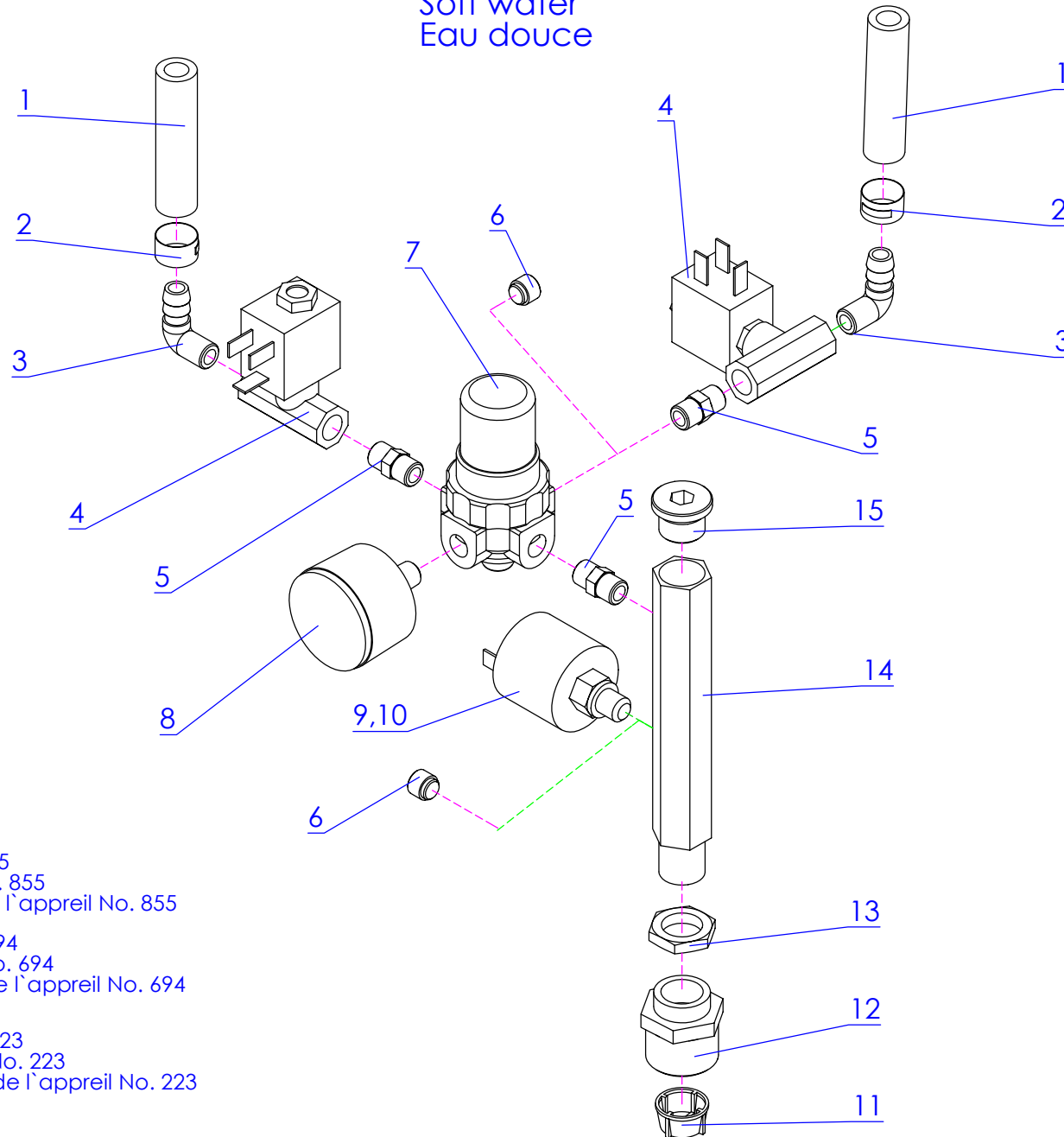


**MA /MB/Genius /Genius Gaz/ 6-11 10-11 20-11**

| Pos. | Article no. | Description                          | Genius Gaz | Multimax A | Multimax B | Genius | Autoclean | 6-11 | 10-11 | 20-11 |
|------|-------------|--------------------------------------|------------|------------|------------|--------|-----------|------|-------|-------|
| 1    | e444050     | Silicon hose 9,0x3,0 mm              | ●          |            | ●          | ●      | ●         | ●    | ●     | ●     |
| 2    | e422017     | Hose clip D 14                       | ●          |            | ●          | ●      | ●         | ●    | ●     | ●     |
| 3    | e440045     | Angle stud 9 mm conn                 | ●          |            | ●          | ●      | ●         | ●    | ●     | ●     |
| 4    | e436040     | Solenoid-valve type 2000 2/2-way dir | ●          |            | ●          | ●      | ●         | ●    | ●     | ●     |
| 5    | e440156     | Double nipple, conical 1/8K          | ●          |            | ●          | ●      |           | ●    | ●     | ●     |
| 8    | 754498      | Locking screw 3/8"                   | ●          |            | ●          | ●      |           | ●    | ●     | ●     |
| 9    | e440101     | Locking screw 1/8"                   | ●          |            | ●          | ●      |           | ●    | ●     | ●     |
| 10   | 779660      | Vertical pipe d2k                    | ●          |            | ●          | ●      |           | ●    | ●     | ●     |
| 11   | e505057     | Hexagonal nut 3/8" 4,5 nickeled      | ●          |            | ●          | ●      | ●         | ●    | ●     | ●     |
| 12   | e440039     | Reduction piece A 3/4" I 3/8"        | ●          |            | ●          | ●      | ●         | ●    | ●     | ●     |
| 13   | e418017     | Mudguard                             | ●          |            | ●          | ●      | ●         | ●    | ●     | ●     |
| 16   | e505117     | Disk nut M5 V2A                      | ●          |            | ●          | ●      | ●         | ●    | ●     | ●     |
| 17   | 743267      | Water supply pipe 6/10/20-11         | ●          |            | ●          | ●      | ●         | ●    | ●     | ●     |

| Pos. | Article no. | Description | Genius Gaz | Multimax A | Multimax B | Genius | Autoclean | 6-11 | 10-11 | 20-11 |
|------|-------------|-------------|------------|------------|------------|--------|-----------|------|-------|-------|
|      |             |             |            |            |            |        |           |      |       |       |
|      |             |             |            |            |            |        |           |      |       |       |
|      |             |             |            |            |            |        |           |      |       |       |
|      |             |             |            |            |            |        |           |      |       |       |
|      |             |             |            |            |            |        |           |      |       |       |
|      |             |             |            |            |            |        |           |      |       |       |
|      |             |             |            |            |            |        |           |      |       |       |
|      |             |             |            |            |            |        |           |      |       |       |
|      |             |             |            |            |            |        |           |      |       |       |
|      |             |             |            |            |            |        |           |      |       |       |
|      |             |             |            |            |            |        |           |      |       |       |
|      |             |             |            |            |            |        |           |      |       |       |
|      |             |             |            |            |            |        |           |      |       |       |
|      |             |             |            |            |            |        |           |      |       |       |
|      |             |             |            |            |            |        |           |      |       |       |
|      |             |             |            |            |            |        |           |      |       |       |
|      |             |             |            |            |            |        |           |      |       |       |
|      |             |             |            |            |            |        |           |      |       |       |
|      |             |             |            |            |            |        |           |      |       |       |
|      |             |             |            |            |            |        |           |      |       |       |

Weichwasser  
Soft water  
Eau douce



611 Pos. 9 ab Geräte Nr. 855  
Part No. 9 From unit No. 855  
Pièce No. 9 A partir de l'appareil No. 855

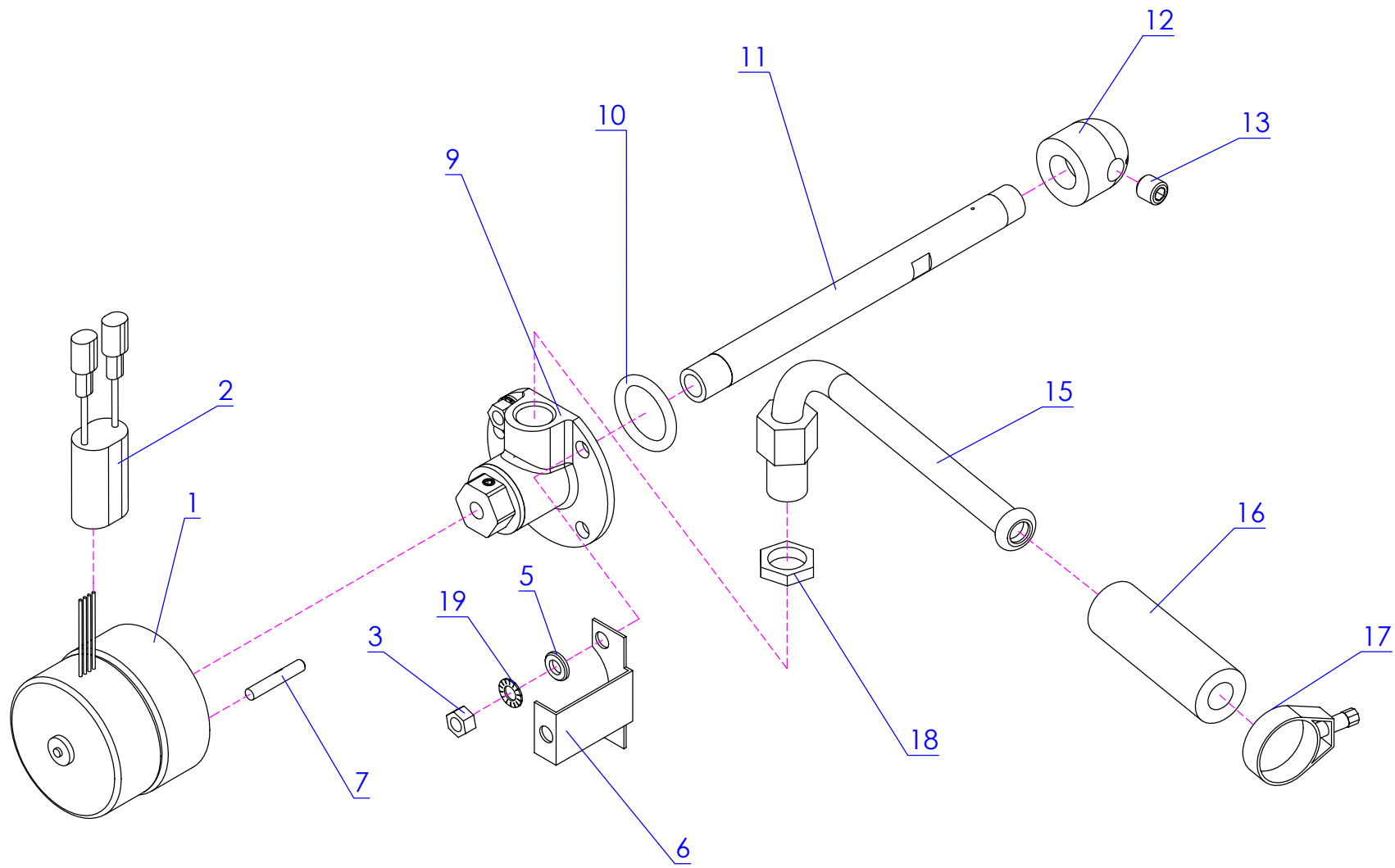
1011 Pos. 9 ab Geräte Nr. 694  
Part No. 9 From unit No. 694  
Pièce No. 9 A partir de l'appareil No. 694

2011 Pos. 9 ab Geräte Nr. 223  
Part No. 9 From unit No. 223  
Pièce No. 9 A partir de l'appareil No. 223

# MA /MB/Genius /Genius Gaz/ 6-11 10-11 20-11

| Pos. | Article no. | Description                          | Genius Gaz | Multimax A | Multimax B | Genius | Autoclean | 6-11 | 10-11 | 20-11 |
|------|-------------|--------------------------------------|------------|------------|------------|--------|-----------|------|-------|-------|
| 1    | e444050     | Silicon hose 9,0x3,0 mm              | ●          | ●          | ●          | ●      |           | ●    | ●     | ●     |
| 2    | e422017     | Hose clip D 14                       | ●          | ●          | ●          | ●      |           | ●    | ●     | ●     |
| 3    | e440045     | Angle stud 9 mm conn                 | ●          | ●          | ●          | ●      |           | ●    | ●     | ●     |
| 4    | e436040     | Solenoid-valve type 2000 2/2-way dir | ●          | ●          | ●          | ●      |           | ●    | ●     | ●     |
| 5    | e440156     | Double nipple, conical 1/8K          | ●          | ●          | ●          | ●      |           | ●    | ●     | ●     |
| 6    | e440101     | Locking screw 1/8"                   |            | ●          |            |        |           | ●    | ●     |       |
| 7    | e598198     | Conversion kit pressure reducer      | ●          | ●          | ●          | ●      |           | ●    | ●     | ●     |
| 8    | e348009     | Pressure gauge 0-4,0 bar             | ●          | ●          | ●          | ●      |           | ●    | ●     | ●     |
| 9    | e598189     | Conversion kit push button with      | ●          |            | ●          | ●      |           |      |       | ●     |
| 10   | 772305      | Pressure switch 10 bar AC            | ●          |            | ●          | ●      |           |      |       | ●     |
| 11   | e418017     | Mudguard                             | ●          | ●          | ●          | ●      |           | ●    | ●     | ●     |
| 12   | e440039     | Reduction piece A 3/4" I 3/8"        | ●          | ●          | ●          | ●      |           | ●    | ●     | ●     |
| 13   | e505057     | Hexagonal nut 3/8" 4,5 nickele       | ●          | ●          | ●          | ●      |           | ●    | ●     | ●     |
| 14   | 779660      | Vertial pipe d2k                     | ●          | ●          | ●          | ●      |           | ●    | ●     | ●     |
| 15   | 754498      | Locking screw 3/8"                   | ●          | ●          | ●          | ●      |           | ●    | ●     | ●     |
|      |             |                                      |            |            |            |        |           |      |       |       |
|      |             |                                      |            |            |            |        |           |      |       |       |
|      |             |                                      |            |            |            |        |           |      |       |       |
|      |             |                                      |            |            |            |        |           |      |       |       |
|      |             |                                      |            |            |            |        |           |      |       |       |
|      |             |                                      |            |            |            |        |           |      |       |       |
|      |             |                                      |            |            |            |        |           |      |       |       |
|      |             |                                      |            |            |            |        |           |      |       |       |
|      |             |                                      |            |            |            |        |           |      |       |       |
|      |             |                                      |            |            |            |        |           |      |       |       |
|      |             |                                      |            |            |            |        |           |      |       |       |
|      |             |                                      |            |            |            |        |           |      |       |       |
|      |             |                                      |            |            |            |        |           |      |       |       |
|      |             |                                      |            |            |            |        |           |      |       |       |
|      |             |                                      |            |            |            |        |           |      |       |       |
|      |             |                                      |            |            |            |        |           |      |       |       |
|      |             |                                      |            |            |            |        |           |      |       |       |
|      |             |                                      |            |            |            |        |           |      |       |       |
|      |             |                                      |            |            |            |        |           |      |       |       |

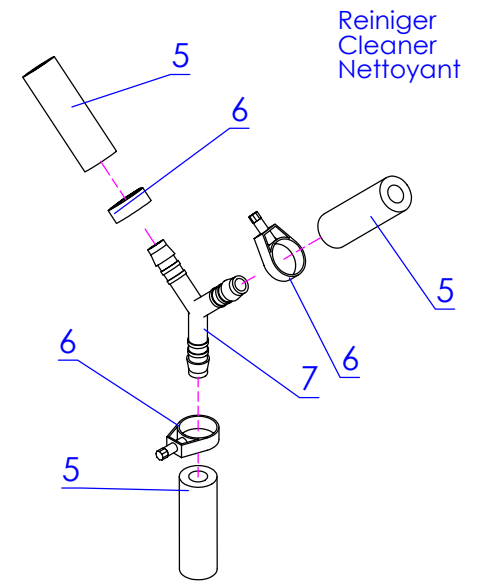
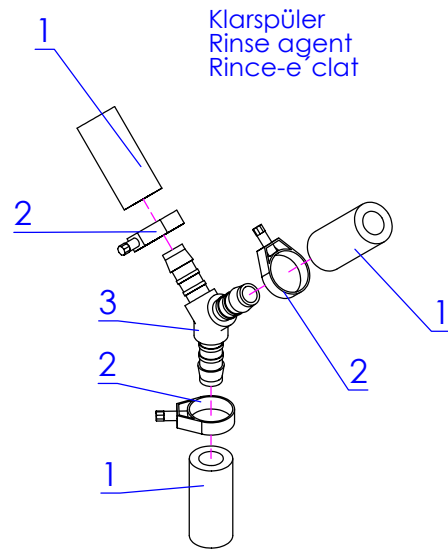
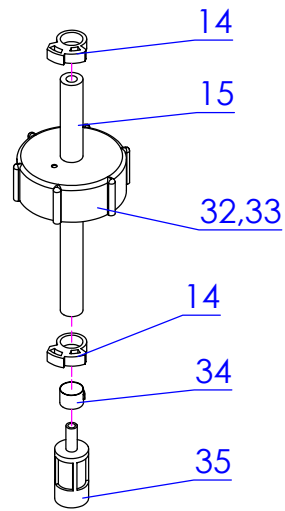
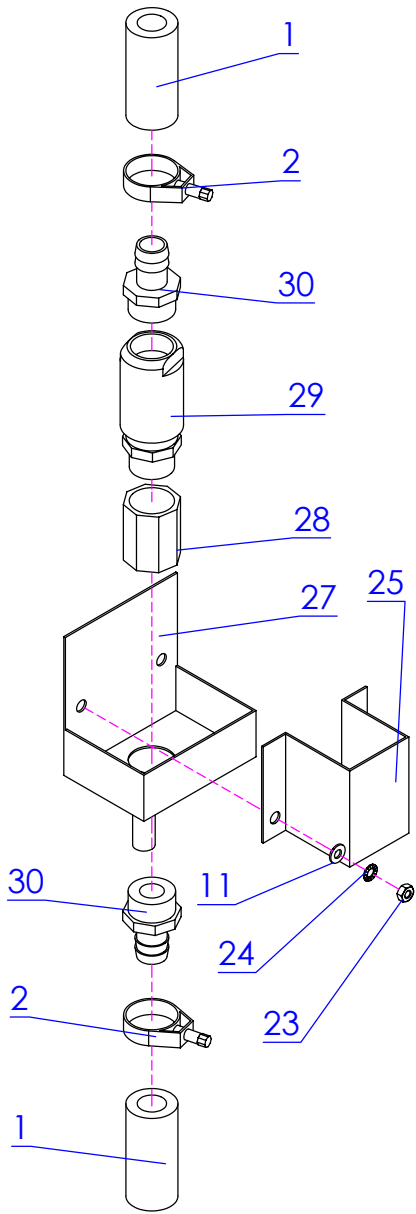
| Pos. | Article no. | Description | Genius Gaz | Multimax A | Multimax B | Genius | Autoclean | 6-11 | 10-11 | 20-11 |
|------|-------------|-------------|------------|------------|------------|--------|-----------|------|-------|-------|
|      |             |             |            |            |            |        |           |      |       |       |
|      |             |             |            |            |            |        |           |      |       |       |
|      |             |             |            |            |            |        |           |      |       |       |
|      |             |             |            |            |            |        |           |      |       |       |
|      |             |             |            |            |            |        |           |      |       |       |
|      |             |             |            |            |            |        |           |      |       |       |
|      |             |             |            |            |            |        |           |      |       |       |
|      |             |             |            |            |            |        |           |      |       |       |
|      |             |             |            |            |            |        |           |      |       |       |
|      |             |             |            |            |            |        |           |      |       |       |
|      |             |             |            |            |            |        |           |      |       |       |
|      |             |             |            |            |            |        |           |      |       |       |
|      |             |             |            |            |            |        |           |      |       |       |
|      |             |             |            |            |            |        |           |      |       |       |
|      |             |             |            |            |            |        |           |      |       |       |
|      |             |             |            |            |            |        |           |      |       |       |
|      |             |             |            |            |            |        |           |      |       |       |
|      |             |             |            |            |            |        |           |      |       |       |
|      |             |             |            |            |            |        |           |      |       |       |
|      |             |             |            |            |            |        |           |      |       |       |
|      |             |             |            |            |            |        |           |      |       |       |
|      |             |             |            |            |            |        |           |      |       |       |
|      |             |             |            |            |            |        |           |      |       |       |



**MA /MB/Genius /Genius Gaz/ 6-11 10-11 20-11**

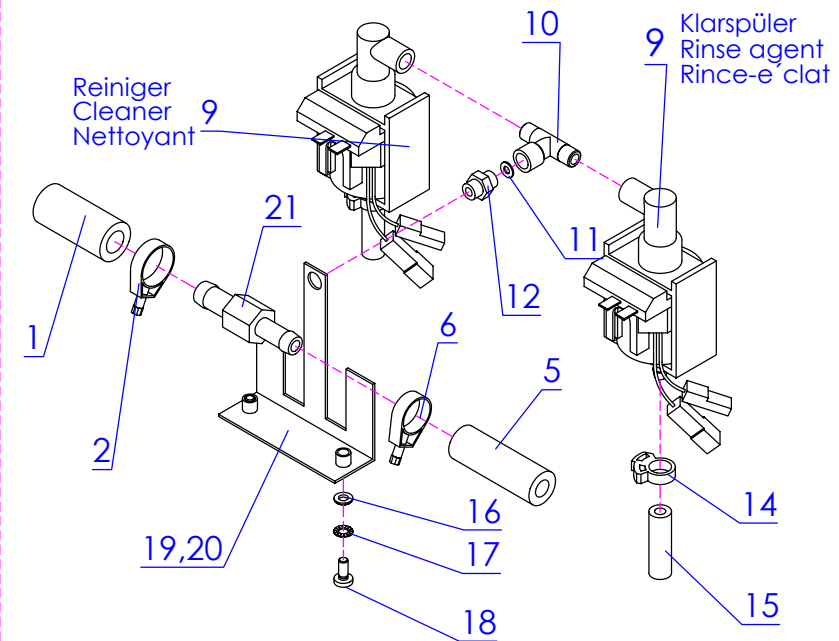
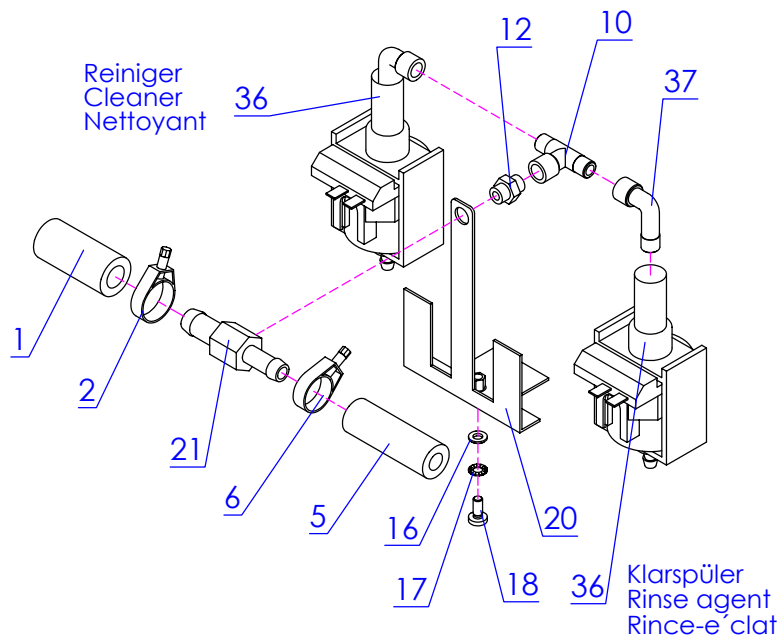
| Pos. | Article no. | Description                        | Genius Gaz | Multimax A | Multimax B | Genius | Autoclean | 6-11 | 10-11 | 20-11 |
|------|-------------|------------------------------------|------------|------------|------------|--------|-----------|------|-------|-------|
| 1    | e600354     | AG driving motor AUTOCLEAN         | ●          |            | ●          | ●      | ●         | ●    | ●     | ●     |
| 2    | e308065     | Capacitor 0,27 microF/ 500VAC      | ●          |            | ●          | ●      | ●         | ●    | ●     | ●     |
| 3    | e505024     | Hexagon nut ISO 4032 M 5 V2A D     | ●          |            | ●          | ●      | ●         | ●    | ●     | ●     |
| 4    | e510014     | Toothed disk DIN 6797 J 5,3 V2A    | ●          |            | ●          | ●      | ●         | ●    | ●     | ●     |
| 5    | e508002     | Washer DIN 125 A 5,3 V2A           | ●          |            | ●          | ●      | ●         | ●    | ●     | ●     |
| 6    | 753858      | Support geared motor Autoclean     | ●          |            | ●          | ●      | ●         | ●    | ●     | ●     |
| 7    | e500211     | Threaded pin DIN 553 M4x25 V2A     | ●          |            | ●          | ●      | ●         | ●    | ●     | ●     |
| 9    | e600343     | AG shaft/hub Autoclean -to be sent | ●          |            | ●          | ●      | ●         | ●    | ●     | ●     |
| 10   | e425183     | O-ring 23,4 x 3,53 Viton           | ●          |            | ●          | ●      | ●         | ●    | ●     | ●     |
| 11   | e442225     | Jet tube Autoclean cooking ch      | ●          |            | ●          | ●      | ●         | ●    | ●     | ●     |
| 12   | e438025     | Main nozzle Autoclean cooking ch   | ●          |            | ●          | ●      | ●         | ●    | ●     | ●     |
| 13   | e500268     | Threaded pin DIN 913 M 8x8 V2a     | ●          |            | ●          | ●      | ●         | ●    | ●     | ●     |
| 15   | e442227     | Water supply pipe Autoclean        | ●          |            | ●          | ●      | ●         | ●    | ●     | ●     |
| 16   | e444058     | Steam hose 10x5 EPDM blue          | ●          |            | ●          | ●      | ●         | ●    | ●     | ●     |
| 17   | e422073     | Hose clip CrNi D 25                | ●          |            | ●          | ●      | ●         | ●    | ●     | ●     |
| 18   | e505045     | Nut 1/4"                           | ●          |            | ●          | ●      | ●         | ●    | ●     | ●     |
|      |             |                                    |            |            |            |        |           |      |       |       |
|      |             |                                    |            |            |            |        |           |      |       |       |
|      |             |                                    |            |            |            |        |           |      |       |       |
|      |             |                                    |            |            |            |        |           |      |       |       |
|      |             |                                    |            |            |            |        |           |      |       |       |
|      |             |                                    |            |            |            |        |           |      |       |       |
|      |             |                                    |            |            |            |        |           |      |       |       |
|      |             |                                    |            |            |            |        |           |      |       |       |
|      |             |                                    |            |            |            |        |           |      |       |       |
|      |             |                                    |            |            |            |        |           |      |       |       |
|      |             |                                    |            |            |            |        |           |      |       |       |
|      |             |                                    |            |            |            |        |           |      |       |       |
|      |             |                                    |            |            |            |        |           |      |       |       |
|      |             |                                    |            |            |            |        |           |      |       |       |
|      |             |                                    |            |            |            |        |           |      |       |       |
|      |             |                                    |            |            |            |        |           |      |       |       |
|      |             |                                    |            |            |            |        |           |      |       |       |

| Pos. | Article no. | Description | Genius Gaz | Multimax A | Multimax B | Genius | Autoclean | 6-11 | 10-11 | 20-11 |
|------|-------------|-------------|------------|------------|------------|--------|-----------|------|-------|-------|
|      |             |             |            |            |            |        |           |      |       |       |
|      |             |             |            |            |            |        |           |      |       |       |
|      |             |             |            |            |            |        |           |      |       |       |
|      |             |             |            |            |            |        |           |      |       |       |
|      |             |             |            |            |            |        |           |      |       |       |
|      |             |             |            |            |            |        |           |      |       |       |
|      |             |             |            |            |            |        |           |      |       |       |
|      |             |             |            |            |            |        |           |      |       |       |
|      |             |             |            |            |            |        |           |      |       |       |
|      |             |             |            |            |            |        |           |      |       |       |
|      |             |             |            |            |            |        |           |      |       |       |
|      |             |             |            |            |            |        |           |      |       |       |
|      |             |             |            |            |            |        |           |      |       |       |
|      |             |             |            |            |            |        |           |      |       |       |
|      |             |             |            |            |            |        |           |      |       |       |
|      |             |             |            |            |            |        |           |      |       |       |
|      |             |             |            |            |            |        |           |      |       |       |
|      |             |             |            |            |            |        |           |      |       |       |
|      |             |             |            |            |            |        |           |      |       |       |
|      |             |             |            |            |            |        |           |      |       |       |
|      |             |             |            |            |            |        |           |      |       |       |
|      |             |             |            |            |            |        |           |      |       |       |



611 ab Geräte Nr. 789  
From unit No. 789  
A partir de l'appareil No. 789  
1011 ab Geräte Nr. 641  
From unit No. 641  
A partir de l'appareil No. 641  
2011 ab Geräte Nr. 218  
From unit No. 218  
A partir de l'appareil No. 218

611 bis Geräte Nr. 788  
Upto unit No. 788  
jusqu'à partir de e`appareil No. 788  
1011 bis Geräte Nr. 640  
Part Upto unit No. 640  
jusqu'à partir de e`appareil No. 640  
2011 bis Geräte Nr. 217  
Upto unit No. 217  
jusqu'à partir de e`appareil No. 217





**MA /MB/Genius /Genius Gaz/ 6-11 10-11 20-11**

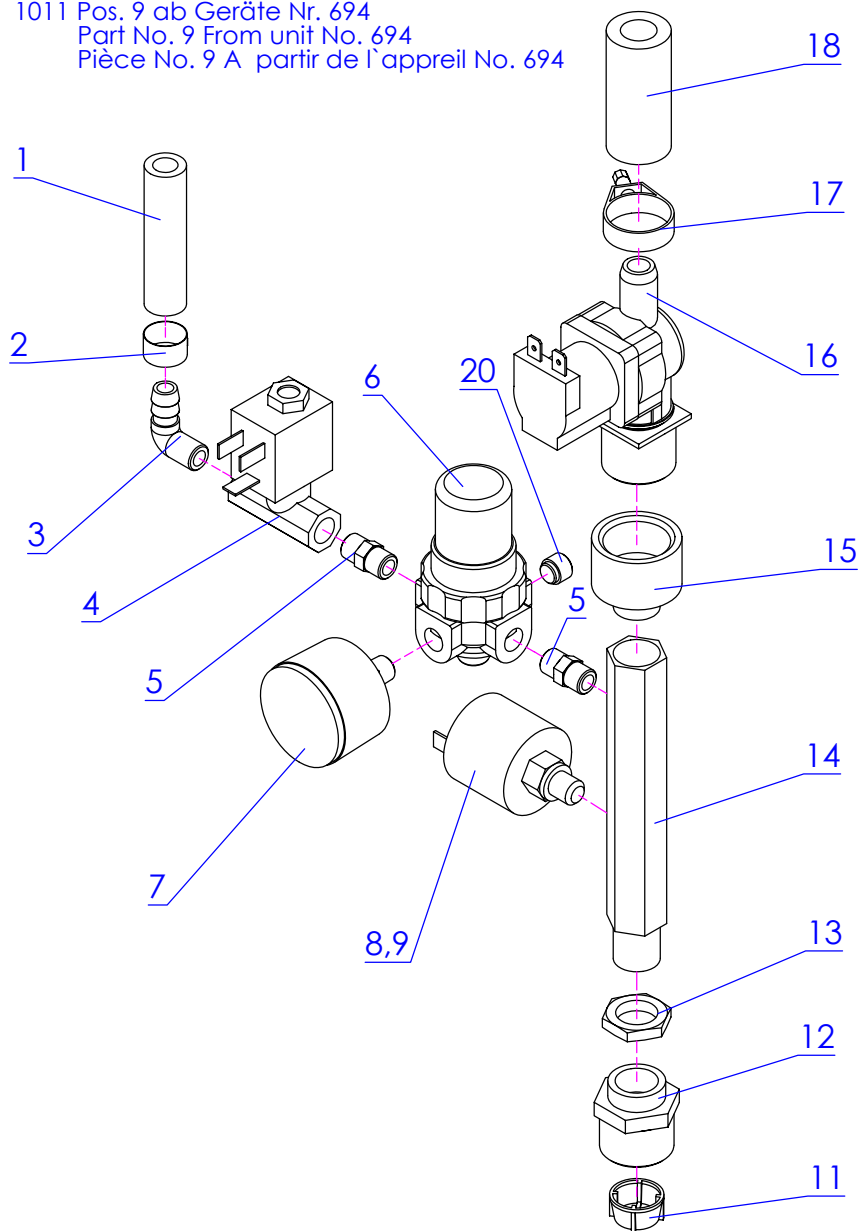
| Pos. | Article no. | Description                             | Genius Gaz | Multimax A | Multimax B | Genius | Autoclean | 6-11 | 10-11 | 20-11 |
|------|-------------|---|------------|------------|------------|--------|-----------|------|-------|-------|
| 1    | 753661      | Steam tube 13x5 EPDM blue               | ●          | ●          | ●          | ●      | ●         | ●    | ●     | ●     |
| 2    | e422073     | Hose clip CrNi D 25                     | ●          | ●          | ●          | ●      | ●         | ●    | ●     | ●     |
| 3    | e440158     | Y-shaped tube connecting socket 10      | ●          | ●          | ●          | ●      | ●         | ●    | ●     | ●     |
| 5    | e444058     | Steam hose 10x5 EPDM blue               | ●          | ●          | ●          | ●      | ●         | ●    | ●     | ●     |
| 6    | e422020     | Hose clip NS 22                         | ●          | ●          | ●          | ●      | ●         | ●    | ●     | ●     |
| 7    | e440144     | Hose connecting Y-piece for hose d=     | ●          | ●          | ●          | ●      | ●         | ●    | ●     | ●     |
| 9    | e434019     | Piston pump Autoclean                   | ●          | ●          | ●          | ●      | ●         | ●    | ●     | ●     |
| 10   | e440048     | T-piece                                 | ●          | ●          | ●          | ●      | ●         | ●    | ●     | ●     |
| 11   | e508012     | Washer DIN 125 A 4,3 V2A                | ●          | ●          | ●          | ●      | ●         | ●    | ●     | ●     |
| 12   | e440092     | double nipple G 1/8                     | ●          | ●          | ●          | ●      | ●         | ●    | ●     | ●     |
| 14   | 766747      | Snap clamp 12,3                         | ●          | ●          | ●          | ●      | ●         | ●    | ●     | ●     |
| 15   | e444056     | Hose PVC d=6 D=12 with textile fabric   | ●          | ●          | ●          | ●      | ●         | ●    | ●     | ●     |
| 16   | e508002     | Washer DIN 125 A 5,3 V2A                | ●          | ●          | ●          | ●      | ●         | ●    | ●     | ●     |
| 17   | e510014     | Toothed disk DIN 6797 J 5,3 V2A         | ●          | ●          | ●          | ●      | ●         | ●    | ●     | ●     |
| 18   | e500106     | Oval-head screw DIN 7985 N              | ●          | ●          | ●          | ●      | ●         | ●    | ●     | ●     |
| 19   | 753904      | Supporting angle Autoclean r            | ●          | ●          | ●          | ●      | ●         | ●    |       |       |
| 20   | 748889      | Supporting angle piston pump 2011       | ●          | ●          | ●          | ●      | ●         | ●    |       | ●     |
| 21   | 753890      | Y-shaped connecting piece Autoclean     | ●          | ●          | ●          | ●      | ●         | ●    | ●     | ●     |
| 23   | e505031     | Hexagonal nut ISO 4032 M4 V2A DIN       | ●          | ●          | ●          | ●      | ●         | ●    | ●     | ●     |
| 24   | e510013     | Toothed disk DIN 6797 J 4,3 V2A         | ●          | ●          | ●          | ●      | ●         | ●    | ●     | ●     |
| 25   | e483257     | Protection against water jets Autoclean | ●          | ●          | ●          | ●      | ●         | ●    | ●     | ●     |
| 27   | 753424      | Collecting pan Autoclean                | ●          | ●          | ●          | ●      | ●         | ●    | ●     | ●     |
| 28   | e440147     | Sleeve 1/2"                             | ●          | ●          | ●          | ●      | ●         | ●    | ●     | ●     |
| 29   | 753416      | Tube-aerator with reflux prevention     | ●          | ●          | ●          | ●      | ●         | ●    | ●     | ●     |
| 30   | e440146     | Hose tip 12 mm 1/2"                     | ●          | ●          | ●          | ●      | ●         | ●    | ●     | ●     |
| 32   | e407091     | Canister cap DN 50 red d2k              | ●          | ●          | ●          | ●      | ●         | ●    | ●     | ●     |
| 33   | e407092     | Canister cap DN 50 blue d2k             | ●          | ●          | ●          | ●      | ●         | ●    | ●     | ●     |
| 34   | e422071     | Clamping ring NW 12                     | ●          | ●          | ●          | ●      | ●         | ●    | ●     | ●     |
| 35   | 700827      | Suction filter ED                       | ●          | ●          | ●          | ●      | ●         | ●    | ●     | ●     |
| 36   | 772550      | Piston pump Autoclean straight typ      | ●          | ●          | ●          | ●      | ●         | ●    | ●     | ●     |
| 37   | 773719      | Angle G 1/8                             | ●          | ●          | ●          | ●      | ●         | ●    | ●     | ●     |
|      |             |   |            |            |            |        |           |      |       |       |
|      |             |   |            |            |            |        |           |      |       |       |
|      |             |   |            |            |            |        |           |      |       |       |
|      |             |   |            |            |            |        |           |      |       |       |
|      |             |   |            |            |            |        |           |      |       |       |
|      |             |   |            |            |            |        |           |      |       |       |
|      |             |   |            |            |            |        |           |      |       |       |
|      |             |   |            |            |            |        |           |      |       |       |
|      |             |   |            |            |            |        |           |      |       |       |
|      |             |   |            |            |            |        |           |      |       |       |

| Pos. | Article no. | Description | Genius Gaz | Multimax A | Multimax B | Genius | Autoclean | 6-11 | 10-11 | 20-11 |
|------|-------------|-------------|------------|------------|------------|--------|-----------|------|-------|-------|
|      |             |             |            |            |            |        |           |      |       |       |
|      |             |             |            |            |            |        |           |      |       |       |
|      |             |             |            |            |            |        |           |      |       |       |
|      |             |             |            |            |            |        |           |      |       |       |
|      |             |             |            |            |            |        |           |      |       |       |
|      |             |             |            |            |            |        |           |      |       |       |
|      |             |             |            |            |            |        |           |      |       |       |
|      |             |             |            |            |            |        |           |      |       |       |
|      |             |             |            |            |            |        |           |      |       |       |
|      |             |             |            |            |            |        |           |      |       |       |
|      |             |             |            |            |            |        |           |      |       |       |
|      |             |             |            |            |            |        |           |      |       |       |
|      |             |             |            |            |            |        |           |      |       |       |
|      |             |             |            |            |            |        |           |      |       |       |
|      |             |             |            |            |            |        |           |      |       |       |
|      |             |             |            |            |            |        |           |      |       |       |
|      |             |             |            |            |            |        |           |      |       |       |
|      |             |             |            |            |            |        |           |      |       |       |
|      |             |             |            |            |            |        |           |      |       |       |
|      |             |             |            |            |            |        |           |      |       |       |
|      |             |             |            |            |            |        |           |      |       |       |

# 6-11,10-11

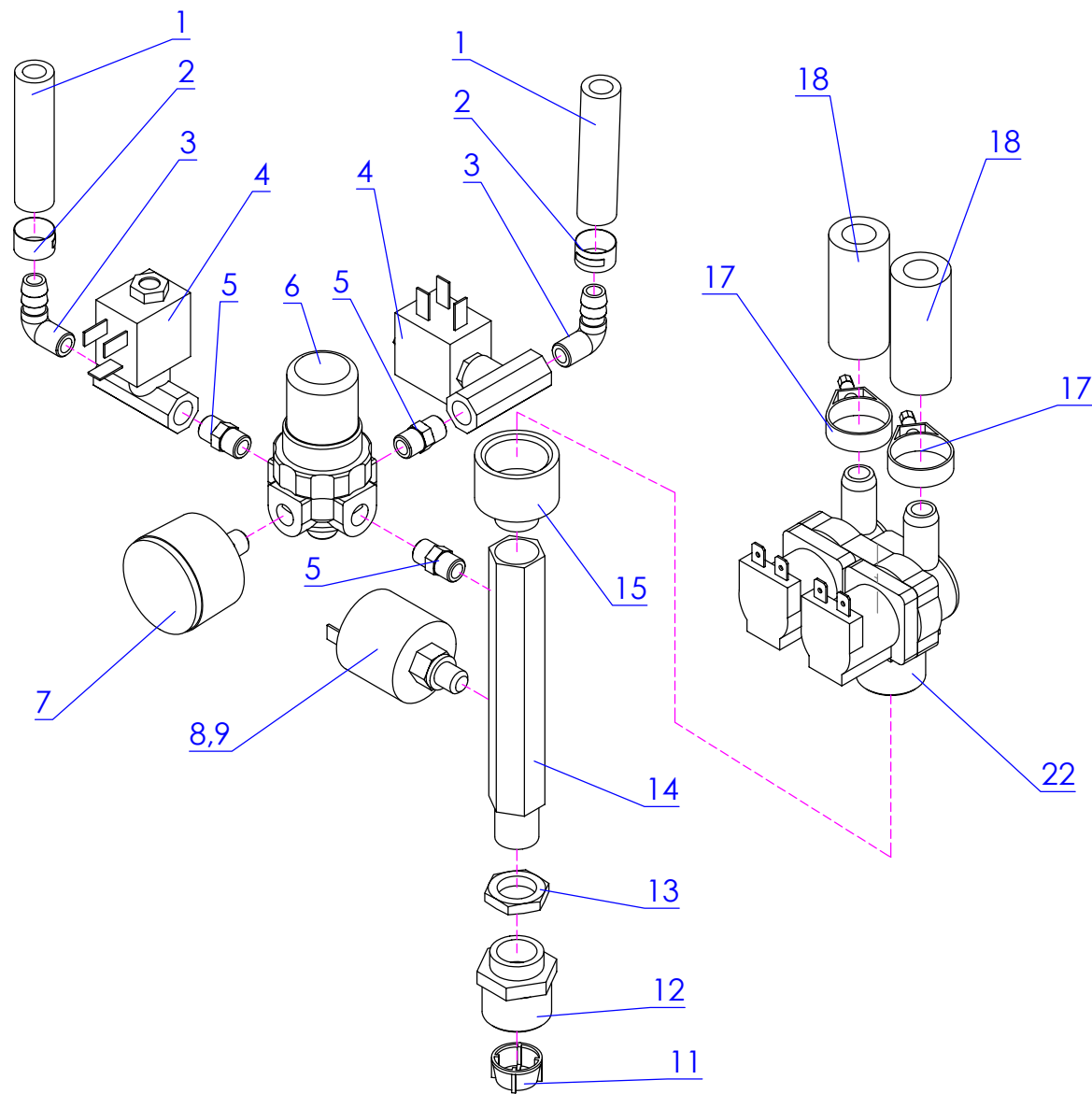
611 Pos. 9 ab Geräte Nr. 855  
 Part No. 9 From unit No. 855  
 Pièce No. 9 A partir de l'appareil No. 855

1011 Pos. 9 ab Geräte Nr. 694  
 Part No. 9 From unit No. 694  
 Pièce No. 9 A partir de l'appareil No. 694



# 20-11

2011 Pos. 9 ab Geräte Nr. 223  
 Part No. 9 From unit No. 223  
 Pièce No. 9 A partir de l'appareil No. 223

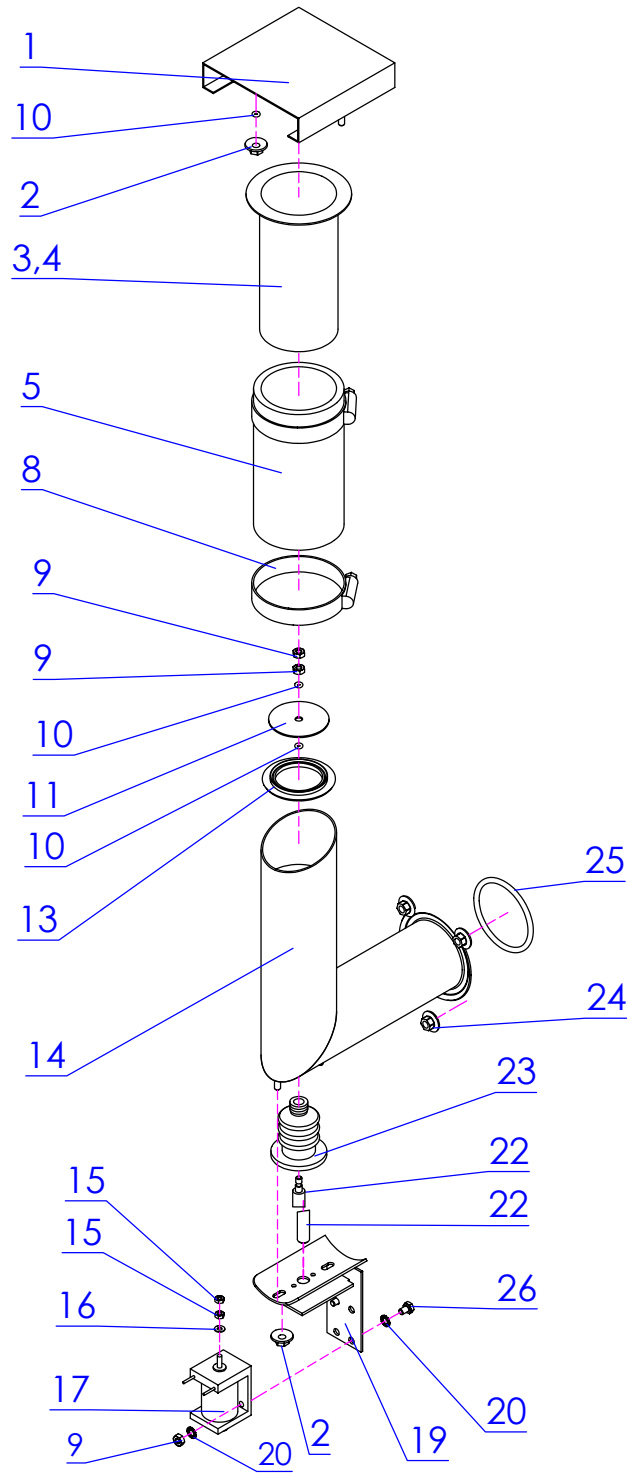


**MA/MB/Genius/Genius Gaz/ 6-11 10-11 20-11**

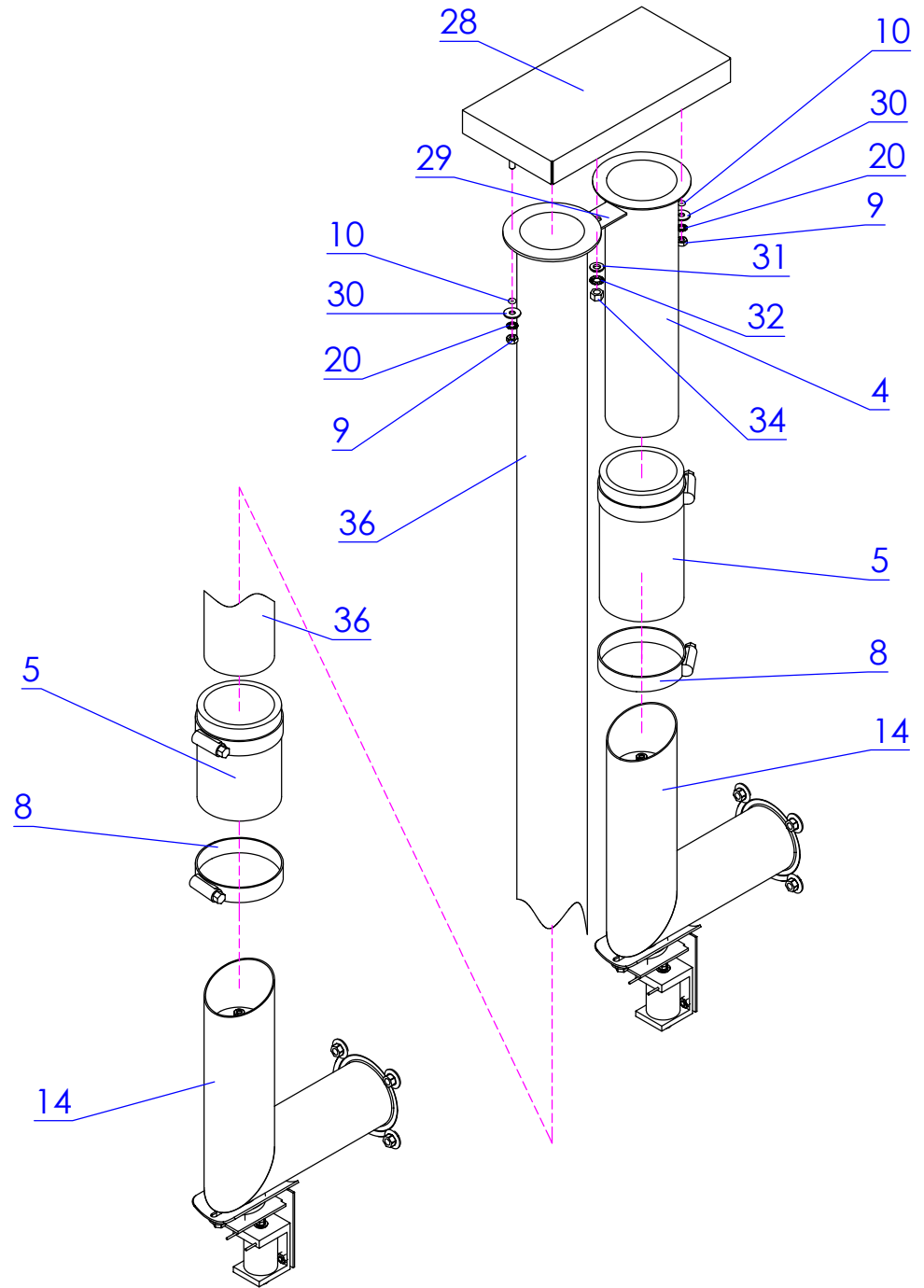
| Pos. | Article no. | Description                          | Genius Gaz | Multimax A | Multimax B | Genius | Autoclean | 6-11 | 10-11 | 20-11 |
|------|-------------|--------------------------------------|------------|------------|------------|--------|-----------|------|-------|-------|
| 1    | e444050     | Silicon hose 9,0x3,0 mm              | ●          |            | ●          | ●      | ●         | ●    | ●     | ●     |
| 2    | e422017     | Hose clip D 14                       | ●          |            | ●          | ●      | ●         | ●    | ●     | ●     |
| 3    | e440045     | Angle stud 9 mm conn                 | ●          |            | ●          | ●      | ●         | ●    | ●     | ●     |
| 4    | e436040     | Solenoid-valve type 2000 2/2-way dir | ●          |            | ●          | ●      | ●         | ●    | ●     | ●     |
| 5    | e440156     | Double nipple, conical 1/8K          | ●          |            | ●          | ●      | ●         | ●    | ●     | ●     |
| 6    | e598198     | Conversion kit pressure reducer      | ●          |            | ●          | ●      | ●         | ●    | ●     | ●     |
| 7    | e348009     | Pressure gauge 0-4,0 bar             | ●          |            | ●          | ●      | ●         | ●    | ●     | ●     |
| 8    | e598189     | Conversion kit push button with      | ●          |            | ●          | ●      | ●         | ●    | ●     | ●     |
| 9    | 772305      | Pressure switch 10 bar AC            | ●          |            | ●          | ●      | ●         | ●    | ●     | ●     |
| 11   | e418017     | Mudguard                             | ●          |            | ●          | ●      | ●         | ●    | ●     | ●     |
| 12   | e440039     | Reduction piece A 3/4" I 3/8"        | ●          |            | ●          | ●      | ●         | ●    | ●     | ●     |
| 13   | e505057     | Hexagonal nut 3/8" 4,5 nickele       | ●          |            | ●          | ●      | ●         | ●    | ●     | ●     |
| 14   | 779660      | Vertical pipe d2k                    | ●          |            | ●          | ●      | ●         | ●    | ●     | ●     |
| 15   | e440155     | Reducer 3/8 x 3/4 Autoclean          | ●          |            | ●          | ●      | ●         | ●    | ●     | ●     |
| 16   | e436032     | Solenoid valve, simple 180 degree    | ●          |            | ●          | ●      | ●         | ●    | ●     |       |
| 17   | e422073     | Hose clip CrNi D 25                  | ●          |            | ●          | ●      | ●         | ●    | ●     | ●     |
| 18   | 753661      | Steam tube 13x5 EPDM blue            | ●          |            | ●          | ●      | ●         | ●    | ●     | ●     |
| 20   | e440101     | Locking screw 1/8"                   | ●          |            | ●          | ●      | ●         | ●    | ●     |       |
| 22   | e436033     | Solenoid valve, double 180 degree    | ●          |            | ●          | ●      | ●         |      |       | ●     |
|      |             |                                      |            |            |            |        |           |      |       |       |
|      |             |                                      |            |            |            |        |           |      |       |       |
|      |             |                                      |            |            |            |        |           |      |       |       |
|      |             |                                      |            |            |            |        |           |      |       |       |
|      |             |                                      |            |            |            |        |           |      |       |       |
|      |             |                                      |            |            |            |        |           |      |       |       |
|      |             |                                      |            |            |            |        |           |      |       |       |
|      |             |                                      |            |            |            |        |           |      |       |       |
|      |             |                                      |            |            |            |        |           |      |       |       |
|      |             |                                      |            |            |            |        |           |      |       |       |
|      |             |                                      |            |            |            |        |           |      |       |       |
|      |             |                                      |            |            |            |        |           |      |       |       |
|      |             |                                      |            |            |            |        |           |      |       |       |
|      |             |                                      |            |            |            |        |           |      |       |       |
|      |             |                                      |            |            |            |        |           |      |       |       |
|      |             |                                      |            |            |            |        |           |      |       |       |
|      |             |                                      |            |            |            |        |           |      |       |       |
|      |             |                                      |            |            |            |        |           |      |       |       |
|      |             |                                      |            |            |            |        |           |      |       |       |
|      |             |                                      |            |            |            |        |           |      |       |       |
|      |             |                                      |            |            |            |        |           |      |       |       |

| Pos. | Article no. | Description | Genius Gaz | Multimax A | Multimax B | Genius | Autoclean | 6-11 | 10-11 | 20-11 |
|------|-------------|-------------|------------|------------|------------|--------|-----------|------|-------|-------|
|      |             |             |            |            |            |        |           |      |       |       |
|      |             |             |            |            |            |        |           |      |       |       |
|      |             |             |            |            |            |        |           |      |       |       |
|      |             |             |            |            |            |        |           |      |       |       |
|      |             |             |            |            |            |        |           |      |       |       |
|      |             |             |            |            |            |        |           |      |       |       |
|      |             |             |            |            |            |        |           |      |       |       |
|      |             |             |            |            |            |        |           |      |       |       |
|      |             |             |            |            |            |        |           |      |       |       |
|      |             |             |            |            |            |        |           |      |       |       |
|      |             |             |            |            |            |        |           |      |       |       |
|      |             |             |            |            |            |        |           |      |       |       |
|      |             |             |            |            |            |        |           |      |       |       |
|      |             |             |            |            |            |        |           |      |       |       |
|      |             |             |            |            |            |        |           |      |       |       |
|      |             |             |            |            |            |        |           |      |       |       |
|      |             |             |            |            |            |        |           |      |       |       |
|      |             |             |            |            |            |        |           |      |       |       |
|      |             |             |            |            |            |        |           |      |       |       |
|      |             |             |            |            |            |        |           |      |       |       |
|      |             |             |            |            |            |        |           |      |       |       |
|      |             |             |            |            |            |        |           |      |       |       |
|      |             |             |            |            |            |        |           |      |       |       |
|      |             |             |            |            |            |        |           |      |       |       |
|      |             |             |            |            |            |        |           |      |       |       |
|      |             |             |            |            |            |        |           |      |       |       |
|      |             |             |            |            |            |        |           |      |       |       |
|      |             |             |            |            |            |        |           |      |       |       |
|      |             |             |            |            |            |        |           |      |       |       |
|      |             |             |            |            |            |        |           |      |       |       |
|      |             |             |            |            |            |        |           |      |       |       |
|      |             |             |            |            |            |        |           |      |       |       |
|      |             |             |            |            |            |        |           |      |       |       |
|      |             |             |            |            |            |        |           |      |       |       |
|      |             |             |            |            |            |        |           |      |       |       |
|      |             |             |            |            |            |        |           |      |       |       |
|      |             |             |            |            |            |        |           |      |       |       |

6-11 10-11



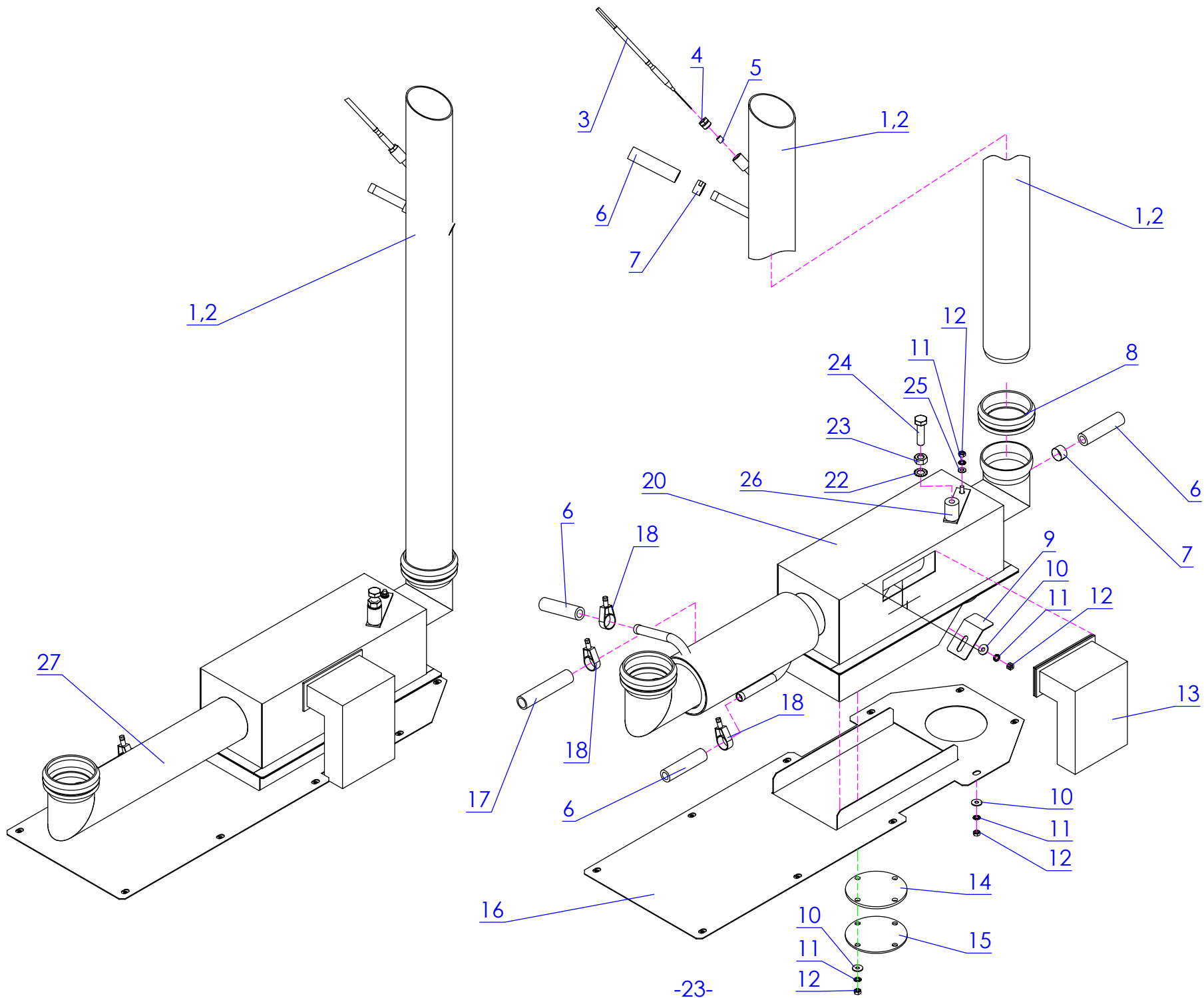
20-11



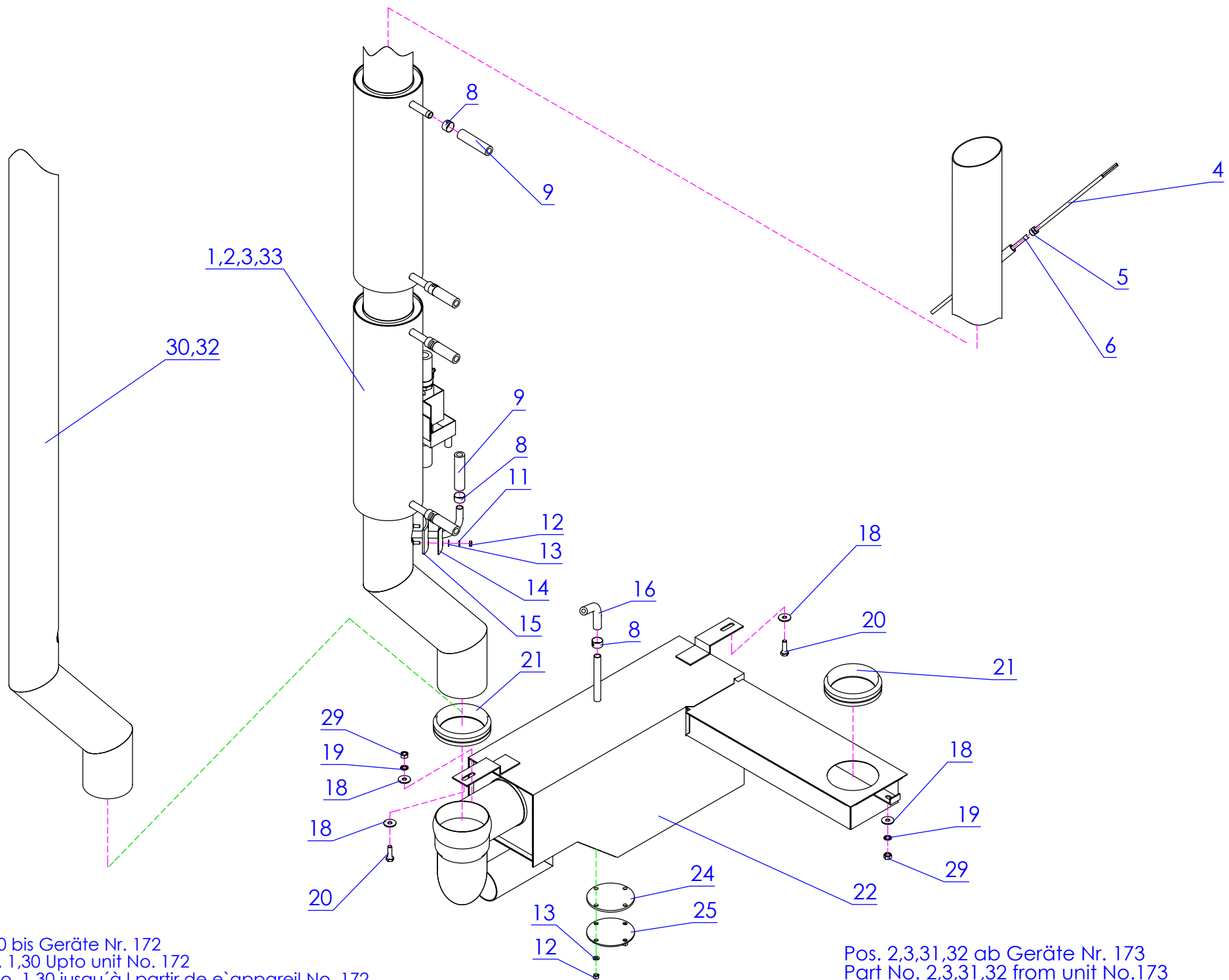
**MA/MB/Genius/Genius Gaz/ 6-11 10-11 20-11**

| Pos. | Article no. | Description                          | Genius Gaz | Multimax A | Multimax B | Genius | Autoclean | 6-11 | 10-11 | 20-11 |
|------|-------------|--------------------------------------|------------|------------|------------|--------|-----------|------|-------|-------|
| 1    | e483177     | Air intake cap ED                    | ●          | ●          | ●          | ●      | ●         | ●    | ●     |       |
| 2    | e505077     | Disk nut M4 A 2                      | ●          | ●          | ●          | ●      | ●         | ●    | ●     | ●     |
| 3    | e442186     | Air inlet pipe 110 mm                | ●          | ●          | ●          | ●      | ●         | ●    |       |       |
| 4    | e442187     | Air inlet pipe 205 mm                | ●          | ●          | ●          | ●      | ●         |      | ●     |       |
| 5    | e444042     | Silicon hose d=50x5                  | ●          | ●          | ●          | ●      | ●         | ●    | ●     | ●     |
| 8    | e422057     | Hose clamp 40-60 mm                  | ●          | ●          | ●          | ●      | ●         | ●    | ●     | ●     |
| 9    | e505031     | Hexagonal nut ISO 4032 M4 V2A DI     | ●          | ●          | ●          | ●      | ●         | ●    | ●     | ●     |
| 10   | e425020     | O-ring, 3,68x1,78 VITON              | ●          | ●          | ●          | ●      | ●         | ●    | ●     | ●     |
| 11   | e483163     | Flap supply air ED                   | ●          | ●          | ●          | ●      | ●         | ●    | ●     | ●     |
| 13   | e425169     | Gasket air inlet tube ED             | ●          | ●          | ●          | ●      | ●         | ●    | ●     | ●     |
| 14   | e442181     | Air inlet pipe EDB/EDC               | ●          | ●          | ●          | ●      | ●         | ●    | ●     | ●     |
| 15   | e505030     | Hexagon nut ISO 4032 M 3 V2A DIN 93  | ●          | ●          | ●          | ●      | ●         | ●    | ●     | ●     |
| 16   | e508005     | Washer DIN 125 A 3,2 V2A             | ●          | ●          | ●          | ●      | ●         | ●    | ●     | ●     |
| 17   | e322024     | Lifting magnet air flap EB 30, ED,   | ●          | ●          | ●          | ●      | ●         | ●    | ●     | ●     |
| 19   | e483164     | Supporting plate compl. supply air t | ●          | ●          | ●          | ●      | ●         | ●    | ●     | ●     |
| 20   | e510013     | Toothed disk DIN 6797 J 4,3 V2A      | ●          | ●          | ●          | ●      | ●         | ●    | ●     | ●     |
| 22   | e403053     | Lifting rod air supply ED            | ●          | ●          | ●          | ●      | ●         | ●    | ●     | ●     |
| 23   | e427060     | Accordion tube silicon grease resi   | ●          | ●          | ●          | ●      | ●         | ●    | ●     | ●     |
| 24   | e505117     | Disk nut M5 V2A                      | ●          | ●          | ●          | ●      | ●         | ●    | ●     | ●     |
| 25   | 757071      | Gasket,supply air cooking chamber 6  | ●          | ●          | ●          | ●      | ●         | ●    | ●     | ●     |
| 26   | e500264     | Hexagon cap screw ISO4017 M4x6 V2A   | ●          | ●          | ●          | ●      | ●         | ●    | ●     | ●     |
| 28   | 751987      | Double cap supply air d2k            | ●          | ●          | ●          | ●      |           |      |       | ●     |
| 28   | 751987      | Cap door lock 12/20-21 d2k           | ●          | ●          | ●          | ●      |           |      |       | ●     |
| 29   | 757217      | Holding plate air inlet 20-11 20-2   | ●          | ●          | ●          | ●      | ●         |      |       | ●     |
| 30   | e508031     | Washer DIN 9021 A 4,3 V2A            | ●          | ●          | ●          | ●      | ●         | ●    | ●     | ●     |
| 31   | e508002     | Washer DIN 125 A 5,3 V2A             | ●          | ●          | ●          | ●      | ●         | ●    | ●     | ●     |
| 32   | e510014     | Toothed disk DIN 6797 J 5,3 V2A      | ●          | ●          | ●          | ●      | ●         | ●    | ●     | ●     |
| 34   | e505024     | Hexagon nut ISO 4032 M 5 V2A DI      | ●          | ●          | ●          | ●      | ●         | ●    | ●     | ●     |
| 36   | 756946      | Connecting tube air inlet Ed 20-11/2 | ●          | ●          | ●          | ●      | ●         |      |       | ●     |
|      |             |                                      |            |            |            |        |           |      |       |       |
|      |             |                                      |            |            |            |        |           |      |       |       |
|      |             |                                      |            |            |            |        |           |      |       |       |
|      |             |                                      |            |            |            |        |           |      |       |       |
|      |             |                                      |            |            |            |        |           |      |       |       |
|      |             |                                      |            |            |            |        |           |      |       |       |
|      |             |                                      |            |            |            |        |           |      |       |       |
|      |             |                                      |            |            |            |        |           |      |       |       |
|      |             |                                      |            |            |            |        |           |      |       |       |
|      |             |                                      |            |            |            |        |           |      |       |       |
|      |             |                                      |            |            |            |        |           |      |       |       |
|      |             |                                      |            |            |            |        |           |      |       |       |
|      |             |                                      |            |            |            |        |           |      |       |       |

| Pos. | Article no. | Description | Genius Gaz | Multimax A | Multimax B | Genius | Autoclean | 6-11 | 10-11 | 20-11 |
|------|-------------|-------------|------------|------------|------------|--------|-----------|------|-------|-------|
|      |             |             |            |            |            |        |           |      |       |       |
|      |             |             |            |            |            |        |           |      |       |       |
|      |             |             |            |            |            |        |           |      |       |       |
|      |             |             |            |            |            |        |           |      |       |       |
|      |             |             |            |            |            |        |           |      |       |       |
|      |             |             |            |            |            |        |           |      |       |       |
|      |             |             |            |            |            |        |           |      |       |       |
|      |             |             |            |            |            |        |           |      |       |       |
|      |             |             |            |            |            |        |           |      |       |       |
|      |             |             |            |            |            |        |           |      |       |       |
|      |             |             |            |            |            |        |           |      |       |       |
|      |             |             |            |            |            |        |           |      |       |       |
|      |             |             |            |            |            |        |           |      |       |       |
|      |             |             |            |            |            |        |           |      |       |       |
|      |             |             |            |            |            |        |           |      |       |       |
|      |             |             |            |            |            |        |           |      |       |       |
|      |             |             |            |            |            |        |           |      |       |       |
|      |             |             |            |            |            |        |           |      |       |       |
|      |             |             |            |            |            |        |           |      |       |       |
|      |             |             |            |            |            |        |           |      |       |       |
|      |             |             |            |            |            |        |           |      |       |       |
|      |             |             |            |            |            |        |           |      |       |       |







Pos. 1,30 bis Geräte Nr. 172  
 Part No. 1,30 Upto unit No. 172  
 Pièce No. 1,30 jusqu'à l partir de e`appareil No. 172

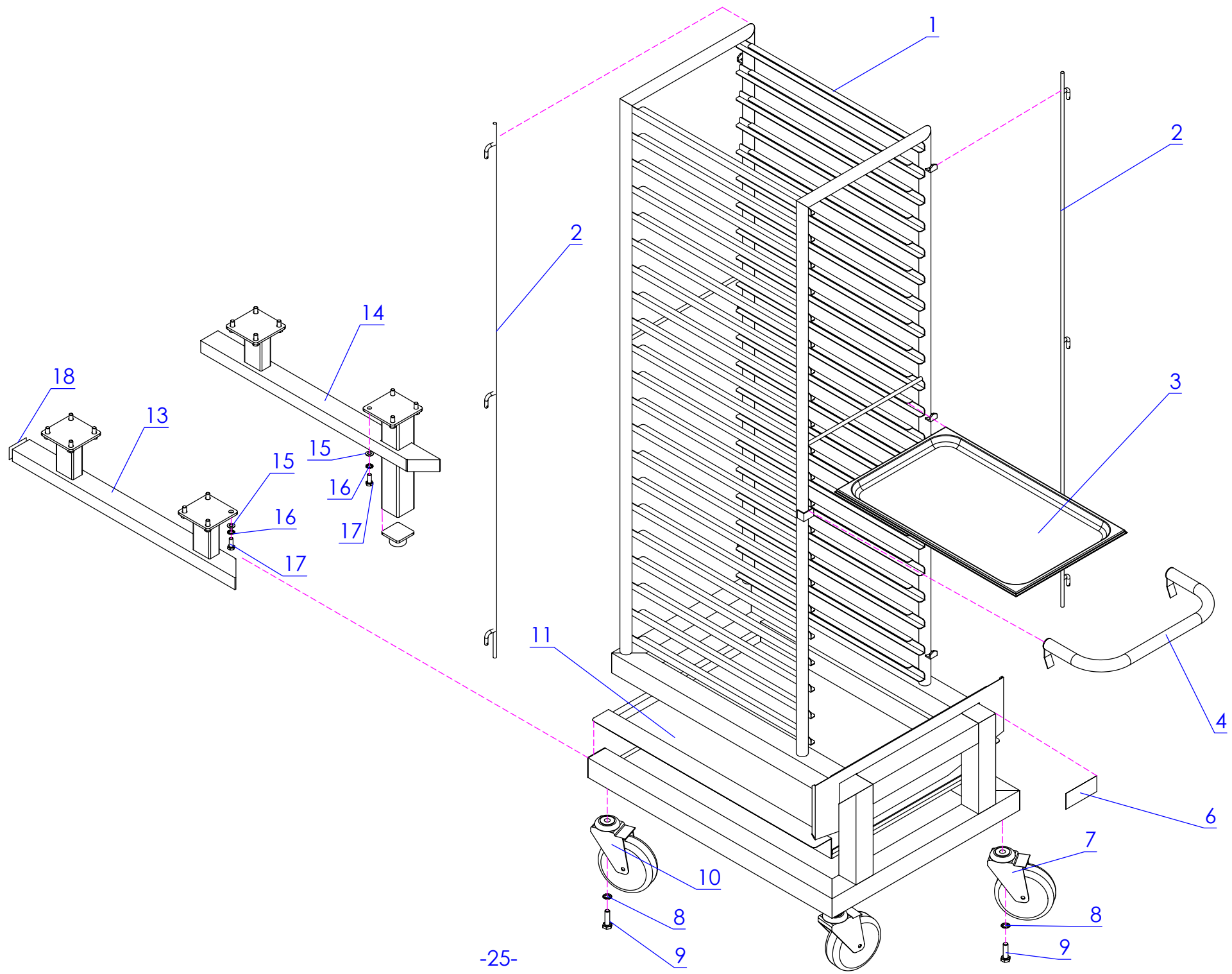
Pos. 2,3,31,32 ab Geräte Nr. 173  
 Part No. 2,3,31,32 from unit No.173  
 Pièce No. 2,3,31,32 à partir de l`appareil No. 173



**MA/MB/Genius/Genius Gaz/ 6-11 10-11 20-11**

| Pos. | Article no. | Description                          | Genius Gaz | Multimax A | Multimax B | Genius | Autoclean | 6-11 | 10-11 | 20-11 |
|------|-------------|--------------------------------------|------------|------------|------------|--------|-----------|------|-------|-------|
| 1    | 745979      | Heat exchanger 2021 d2k              |            |            | ●          | ●      | ●         |      |       | ●     |
| 2    | 771260      | Heat exchanger complete 2011 2021    | ●          |            |            |        | ●         |      |       | ●     |
| 3    | 746010      | Heat exchanger assembled 2021 d2k    |            |            | ●          | ●      | ●         |      |       | ●     |
| 4    | e316004     | Thermoelement sensor Ni-Cr-Ni MI     | ●          |            | ●          | ●      | ●         |      |       | ●     |
| 5    | 759864      | Screw M 10x1 d=6,1 thermostat        | ●          |            | ●          | ●      | ●         |      |       | ●     |
| 6    | e425109     | Gasket - thermostat probe            | ●          |            | ●          | ●      | ●         |      |       | ●     |
| 8    | e422063     | Clamping ring s/s for hose D 9 x     | ●          | ●          | ●          | ●      | ●         |      |       | ●     |
| 9    | e444050     | Silicon hose 9,0x3,0 mm              | ●          | ●          | ●          | ●      | ●         |      |       | ●     |
| 11   | e510013     | Toothed disk DIN 6797 J 4,3 V2A      | ●          | ●          | ●          | ●      | ●         |      |       | ●     |
| 12   | e505031     | Hexagonal nut ISO 4032 M4 V2A DI     | ●          | ●          | ●          | ●      | ●         |      |       | ●     |
| 13   | e508012     | Washer DIN 125 A 4,3 V2A             | ●          | ●          | ●          | ●      | ●         |      |       | ●     |
| 14   | e442297     | Water supply tube heat exchanger     | ●          | ●          | ●          | ●      | ●         |      |       | ●     |
| 15   | e425221     | Gasket water supply tube heat excha  | ●          | ●          | ●          | ●      | ●         |      |       | ●     |
| 16   | e444050     | Silicon hose 9,0x3,0 mm              | ●          | ●          | ●          | ●      | ●         |      |       | ●     |
| 18   | e508033     | Washer DIN 9021 A 6,4 V2A            | ●          | ●          | ●          | ●      | ●         |      |       | ●     |
| 19   | e510015     | Toothed disk DIN 6797 J 6,4 V2A      | ●          | ●          | ●          | ●      | ●         |      |       | ●     |
| 20   | e500054     | Hexagon cap screw ISO4017 M6 x 20 V2 | ●          | ●          | ●          | ●      | ●         |      |       | ●     |
| 21   | e425135     | Sealing element silicon D=73         | ●          | ●          | ●          | ●      | ●         |      |       | ●     |
| 22   | 745782      | Siphon 20-11 d2k                     | ●          | ●          | ●          | ●      | ●         |      |       | ●     |
| 24   | 740853      | Gasket siphon 6/10-11 d2k            | ●          | ●          | ●          | ●      | ●         |      |       | ●     |
| 25   | 740861      | Sealing flange 6/10-11 d2k           | ●          | ●          | ●          | ●      | ●         |      |       |       |
| 29   | e505032     | Hexagonal nut ISO 4032 M6 V2A DI     | ●          | ●          | ●          | ●      | ●         |      |       | ●     |
| 30   | 771759      | Air discharge pipe 20-11 d2k         |            | ●          |            |        | ●         |      |       | ●     |
| 32   | 771740      | Air discharge pipe assembled         |            | ●          |            |        | ●         |      |       | ●     |
| 33   | 771252      | Heat exchanger assembled 2011 2021   | ●          |            |            |        | ●         |      |       | ●     |
| #### | 763055      | Harness ground exhaust air pipe d2k  | ●          | ●          | ●          | ●      | ●         |      |       | ●     |

| Pos. | Article no. | Description | Genius Gaz | Multimax A | Multimax B | Genius | Autoclean | 6-11 | 10-11 | 20-11 |
|------|-------------|-------------|------------|------------|------------|--------|-----------|------|-------|-------|
|      |             |             |            |            |            |        |           |      |       |       |
|      |             |             |            |            |            |        |           |      |       |       |
|      |             |             |            |            |            |        |           |      |       |       |
|      |             |             |            |            |            |        |           |      |       |       |
|      |             |             |            |            |            |        |           |      |       |       |
|      |             |             |            |            |            |        |           |      |       |       |
|      |             |             |            |            |            |        |           |      |       |       |
|      |             |             |            |            |            |        |           |      |       |       |
|      |             |             |            |            |            |        |           |      |       |       |
|      |             |             |            |            |            |        |           |      |       |       |
|      |             |             |            |            |            |        |           |      |       |       |
|      |             |             |            |            |            |        |           |      |       |       |
|      |             |             |            |            |            |        |           |      |       |       |
|      |             |             |            |            |            |        |           |      |       |       |
|      |             |             |            |            |            |        |           |      |       |       |
|      |             |             |            |            |            |        |           |      |       |       |
|      |             |             |            |            |            |        |           |      |       |       |
|      |             |             |            |            |            |        |           |      |       |       |
|      |             |             |            |            |            |        |           |      |       |       |
|      |             |             |            |            |            |        |           |      |       |       |
|      |             |             |            |            |            |        |           |      |       |       |
|      |             |             |            |            |            |        |           |      |       |       |



MA/MB/Genius/Genius Gaz/ 6-11 10-11 20-11

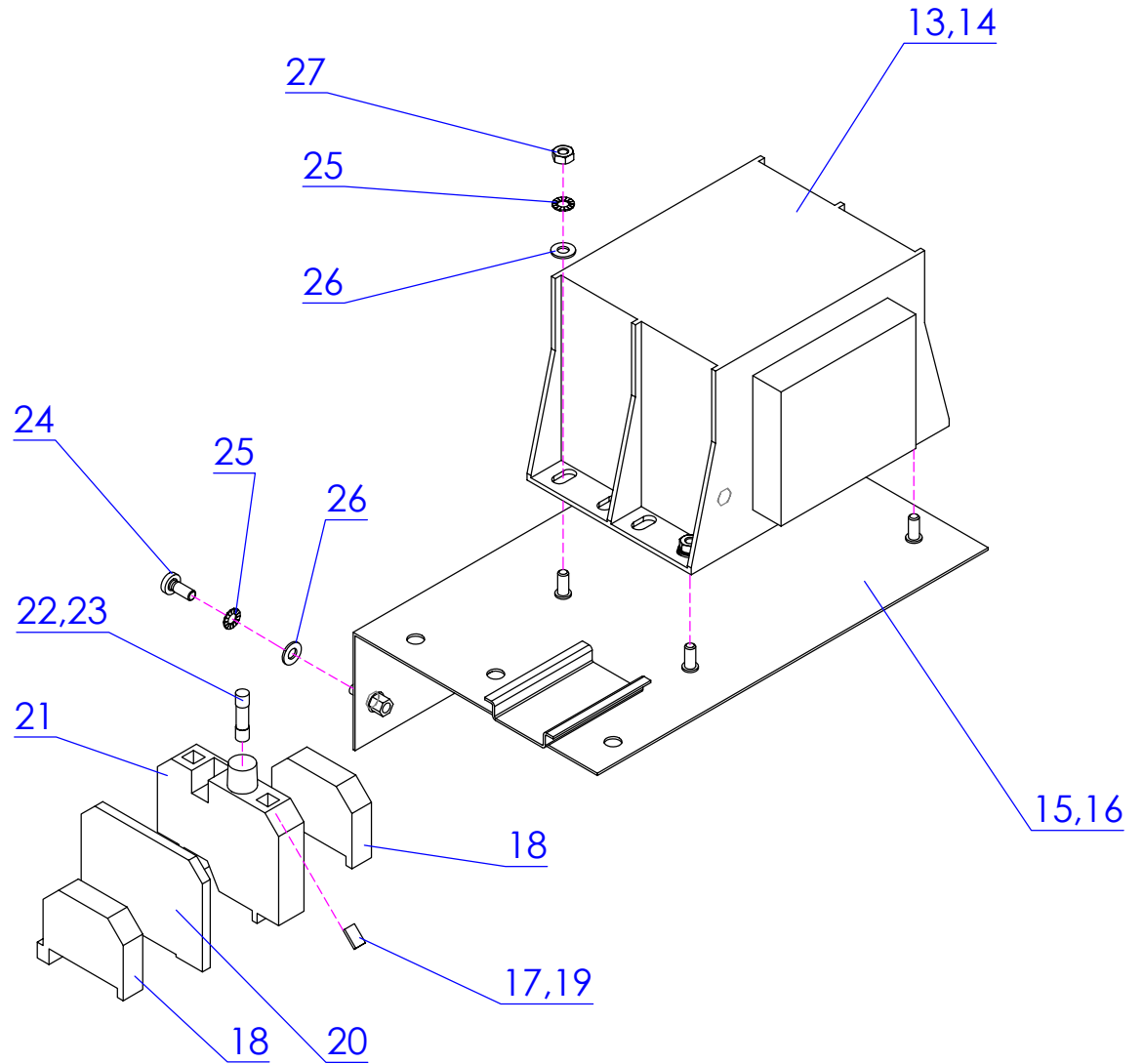
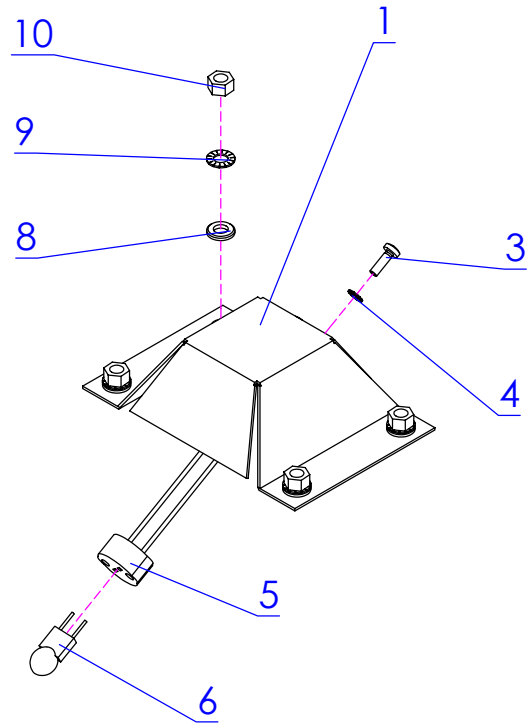
| Pos. | Article no. | Description                           | Genius Gaz | Multimax A | Multimax B | Genius | Autoclean | 6-11 | 10-11 | 20-11 |
|------|-------------|---------------------------------------|------------|------------|------------|--------|-----------|------|-------|-------|
| 1    | 755818      | Rack trolley 2011 d2k                 | ●          | ●          | ●          | ●      | ●         |      |       | ●     |
| 2    | 772089      | Locking bar compl. trolley 2011       | ●          | ●          | ●          | ●      | ●         |      |       | ●     |
| 3    | e220014     | Baking tray GN 1/1 20mm stainless st  | ●          | ●          | ●          | ●      | ●         |      |       | ●     |
| 4    | 745359      | Handle trolley 2011 d2k               | ●          | ●          | ●          | ●      | ●         |      |       | ●     |
| 6    | e360014     | Label trolley 20-11 max 150 kg        | ●          | ●          | ●          | ●      | ●         |      |       | ●     |
| 7    | e405025     | Castor with brake,VA for trolley, D=1 | ●          | ●          | ●          | ●      | ●         |      |       | ●     |
| 8    | e510017     | Toothed disk DIN 6797 J 10,5 V2A      | ●          | ●          | ●          | ●      | ●         |      |       | ●     |
| 9    | e500059     | Hexagon cap screw ISO4017 M10 x 35 V  | ●          | ●          | ●          | ●      | ●         |      |       | ●     |
| 10   | e405026     | Castor without brake VA for trolley D | ●          | ●          | ●          | ●      | ●         |      |       | ●     |
| 11   | 745456      | Stabilizing container trolley 20-1    | ●          | ●          | ●          | ●      | ●         |      |       | ●     |
| 13   | 746983      | Roll-in rail compl. right 2021 d2k    | ●          | ●          | ●          | ●      | ●         |      |       | ●     |
| 14   | 745073      | Roll-in rail right 2011 d2k           | ●          | ●          | ●          | ●      | ●         |      |       | ●     |
| 15   | e508017     | Washer DIN 125 A 8,4 V2A              | ●          | ●          | ●          | ●      | ●         |      |       | ●     |
| 16   | e510016     | Toothed disk DIN 6797 J 8,4 V2A       | ●          | ●          | ●          | ●      | ●         |      |       | ●     |
| 17   | e500046     | Hexagon cap screw ISO4017 M8 x 20 V2  | ●          | ●          | ●          | ●      | ●         |      |       | ●     |
| 18   | 768871      | Dummy plug slide-in rails             | ●          | ●          | ●          | ●      | ●         |      |       | ●     |
|      |             |                                       |            |            |            |        |           |      |       |       |
|      |             |                                       |            |            |            |        |           |      |       |       |
|      |             |                                       |            |            |            |        |           |      |       |       |
|      |             |                                       |            |            |            |        |           |      |       |       |
|      |             |                                       |            |            |            |        |           |      |       |       |
|      |             |                                       |            |            |            |        |           |      |       |       |
|      |             |                                       |            |            |            |        |           |      |       |       |
|      |             |                                       |            |            |            |        |           |      |       |       |
|      |             |                                       |            |            |            |        |           |      |       |       |
|      |             |                                       |            |            |            |        |           |      |       |       |
|      |             |                                       |            |            |            |        |           |      |       |       |
|      |             |                                       |            |            |            |        |           |      |       |       |
|      |             |                                       |            |            |            |        |           |      |       |       |
|      |             |                                       |            |            |            |        |           |      |       |       |
|      |             |                                       |            |            |            |        |           |      |       |       |
|      |             |                                       |            |            |            |        |           |      |       |       |
|      |             |                                       |            |            |            |        |           |      |       |       |
|      |             |                                       |            |            |            |        |           |      |       |       |
|      |             |                                       |            |            |            |        |           |      |       |       |
|      |             |                                       |            |            |            |        |           |      |       |       |
|      |             |                                       |            |            |            |        |           |      |       |       |
|      |             |                                       |            |            |            |        |           |      |       |       |

Achtung! Aufbauänderung siehe Seite 15  
Attention! Modified construction see page 15  
Attention! Construction modifié voir page 15

611 ab Geräte Nr. 228  
From unit No. 228  
A partir de l'appareil No. 228

1011 ab Geräte Nr. 189  
From unit No. 189  
A partir de l'appareil No. 189

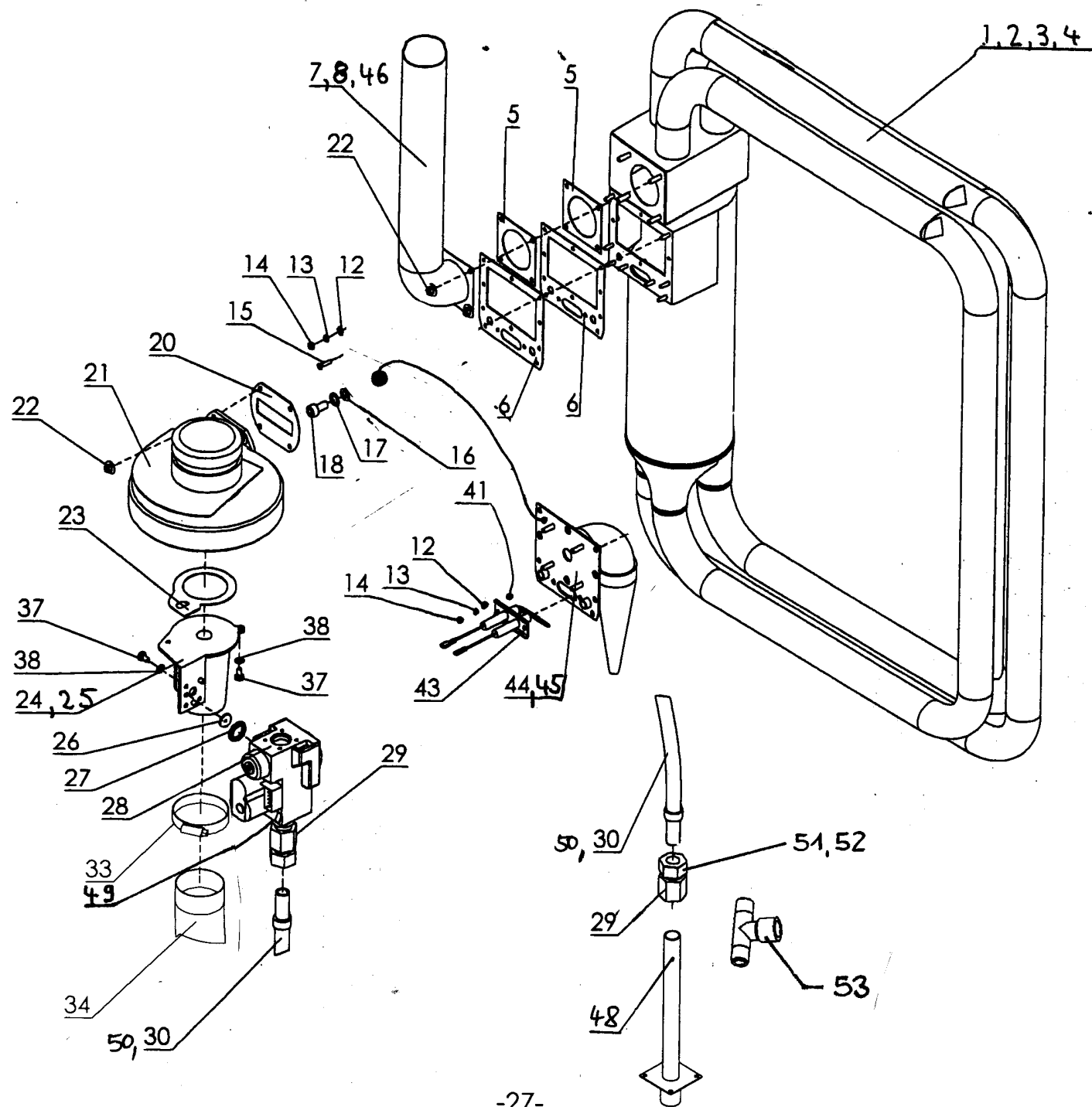
2011 ab Geräte Nr. 110  
From unit No. 110  
A partir de l'appareil No. 110



**MA/MB/Genius/Genius Gaz/ 6-11 10-11 20-11**

| Pos. | Article no. | Description                         | Genius Gaz | Multimax A | Multimax B | Genius | Autoclean | 6-11 | 10-11 | 20-11 |
|------|-------------|-------------------------------------|------------|------------|------------|--------|-----------|------|-------|-------|
| 1    | 742236      | Reflector d2k illumination          | •          | •          | •          | •      | •         | •    | •     | •     |
| 3    | e500095     | Oval-head screw DIN 7985 M 3x10 V2A | •          | •          | •          | •      | •         | •    | •     | •     |
| 4    | e510020     | Toothed disk DIN 6797 J 3,2 V2A     | •          | •          | •          | •      | •         | •    | •     | •     |
| 5    | e314029     | Halogen lamp-holder witch socket    | •          | •          | •          | •      | •         | •    | •     | •     |
| 6    | e312021     | Halogen lamp 12V 20W                | •          | •          | •          | •      | •         | •    | •     | •     |
| 8    | e508002     | Washer DIN 125 A 5,3 V2A            | •          | •          | •          | •      | •         | •    | •     | •     |
| 9    | e510014     | Toothed disk DIN 6797 J 5,3 V2A     | •          | •          | •          | •      | •         | •    | •     | •     |
| 10   | e505029     | Hexagon nut ISO 4032 M 5 brass      | •          | •          | •          | •      | •         | •    | •     | •     |
| 13   | e310021     | Transformer 230/11,5V 44 VA         | •          | •          | •          | •      | •         | •    |       |       |
| 14   | e310024     | Transformer EB/ED 20-21             | •          | •          | •          | •      | •         |      |       | •     |
| 15   | 765104      | Mounting plate trafo light 61011    | •          | •          | •          | •      | •         | •    | •     |       |
| 16   | 765112      | Mounting plate trafo light 2011/2   | •          | •          | •          | •      | •         |      |       | •     |
| 17   | e375002     | Fine fuse 10 A slow 5 x 20 mm       | •          | •          | •          | •      | •         |      |       | •     |
| 18   | e371010     | End clamp for rail 35 DIN           | •          | •          | •          | •      | •         | •    | •     | •     |
| 19   | e362162     | Designation strip "4 A"             | •          | •          | •          | •      | •         | •    | •     | •     |
| 20   | e371009     | End plate fuse clamp                | •          | •          | •          | •      | •         | •    | •     |       |
| 21   | e373009     | Fuse clamp 35 DIN                   | •          | •          | •          | •      | •         | •    | •     | •     |
| 22   | e375009     | Fine fuse 4 AT                      | •          | •          | •          | •      | •         | •    | •     |       |
| 23   | e362068     | Designation strip "10 A"            | •          | •          | •          | •      | •         |      |       | •     |
| 24   | e500098     | Oval-head screw DIN 7985 M 4x10 V2A | •          | •          | •          | •      | •         | •    | •     | •     |
| 25   | e510013     | Toothed disk DIN 6797 J 4,3 V2A     | •          | •          | •          | •      | •         | •    | •     | •     |
| 26   | e508012     | Washer DIN 125 A 4,3 V2A            | •          | •          | •          | •      | •         | •    | •     | •     |
| 27   | e505031     | Hexagonal nut ISO 4032 M4 V2A DIN   | •          | •          | •          | •      | •         | •    | •     | •     |
| #### | e304370     | Harness modification light 61011    | •          | •          | •          | •      | •         | •    | •     |       |
| #### | e304371     | Harness modification light 2011/2   | •          | •          | •          | •      | •         |      |       | •     |
|      |             |                                     |            |            |            |        |           |      |       |       |
|      |             |                                     |            |            |            |        |           |      |       |       |
|      |             |                                     |            |            |            |        |           |      |       |       |
|      |             |                                     |            |            |            |        |           |      |       |       |
|      |             |                                     |            |            |            |        |           |      |       |       |
|      |             |                                     |            |            |            |        |           |      |       |       |
|      |             |                                     |            |            |            |        |           |      |       |       |
|      |             |                                     |            |            |            |        |           |      |       |       |
|      |             |                                     |            |            |            |        |           |      |       |       |
|      |             |                                     |            |            |            |        |           |      |       |       |
|      |             |                                     |            |            |            |        |           |      |       |       |
|      |             |                                     |            |            |            |        |           |      |       |       |
|      |             |                                     |            |            |            |        |           |      |       |       |
|      |             |                                     |            |            |            |        |           |      |       |       |
|      |             |                                     |            |            |            |        |           |      |       |       |
|      |             |                                     |            |            |            |        |           |      |       |       |
|      |             |                                     |            |            |            |        |           |      |       |       |
|      |             |                                     |            |            |            |        |           |      |       |       |
|      |             |                                     |            |            |            |        |           |      |       |       |
|      |             |                                     |            |            |            |        |           |      |       |       |

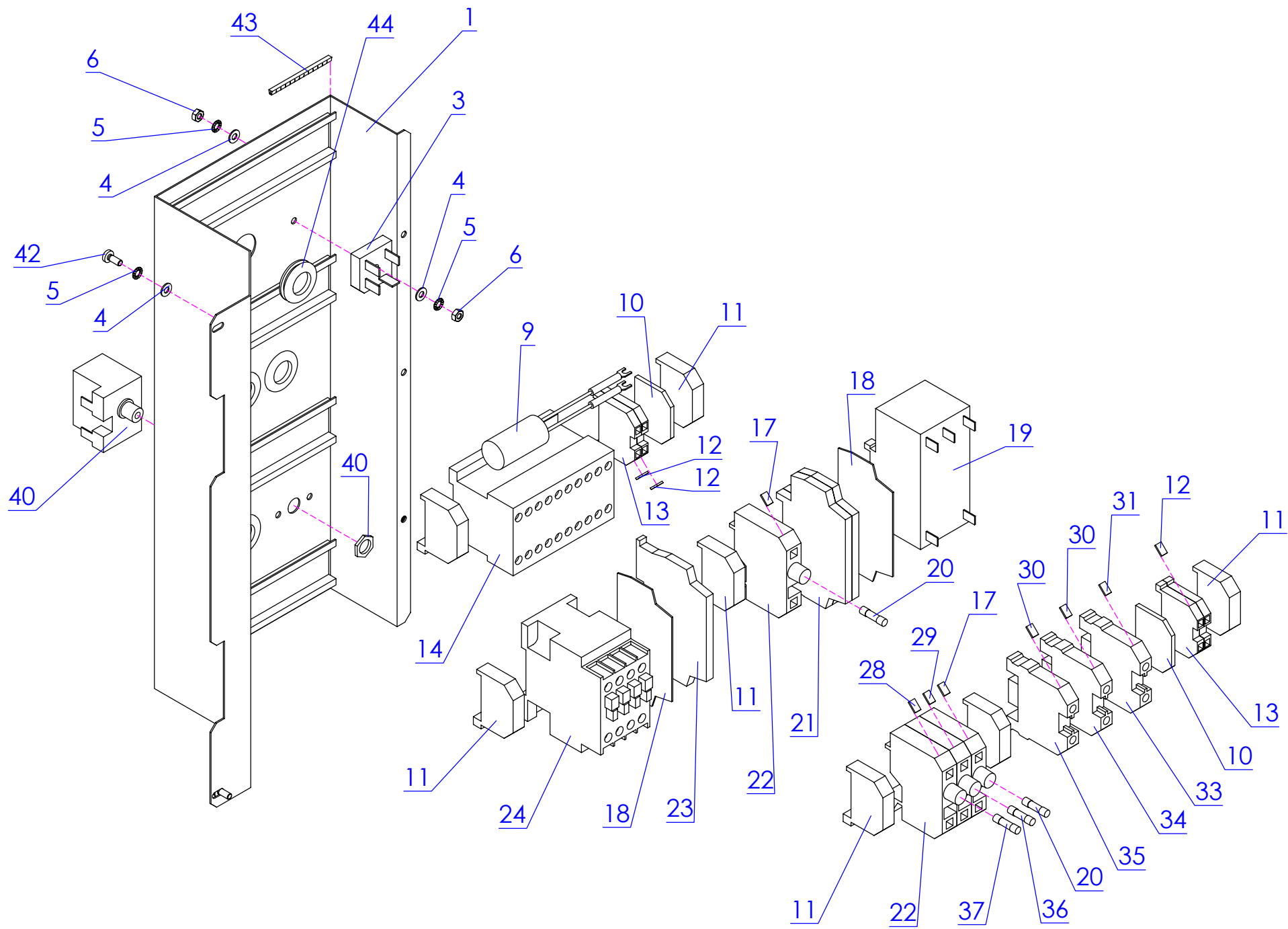
| Pos. | Article no. | Description | Genius Gaz | Multimax A | Multimax B | Genius | Autoclean | 6-11 | 10-11 | 20-11 |
|------|-------------|-------------|------------|------------|------------|--------|-----------|------|-------|-------|
|      |             |             |            |            |            |        |           |      |       |       |
|      |             |             |            |            |            |        |           |      |       |       |
|      |             |             |            |            |            |        |           |      |       |       |
|      |             |             |            |            |            |        |           |      |       |       |
|      |             |             |            |            |            |        |           |      |       |       |
|      |             |             |            |            |            |        |           |      |       |       |
|      |             |             |            |            |            |        |           |      |       |       |
|      |             |             |            |            |            |        |           |      |       |       |
|      |             |             |            |            |            |        |           |      |       |       |
|      |             |             |            |            |            |        |           |      |       |       |
|      |             |             |            |            |            |        |           |      |       |       |
|      |             |             |            |            |            |        |           |      |       |       |
|      |             |             |            |            |            |        |           |      |       |       |
|      |             |             |            |            |            |        |           |      |       |       |
|      |             |             |            |            |            |        |           |      |       |       |
|      |             |             |            |            |            |        |           |      |       |       |
|      |             |             |            |            |            |        |           |      |       |       |
|      |             |             |            |            |            |        |           |      |       |       |
|      |             |             |            |            |            |        |           |      |       |       |
|      |             |             |            |            |            |        |           |      |       |       |
|      |             |             |            |            |            |        |           |      |       |       |
|      |             |             |            |            |            |        |           |      |       |       |
|      |             |             |            |            |            |        |           |      |       |       |
|      |             |             |            |            |            |        |           |      |       |       |
|      |             |             |            |            |            |        |           |      |       |       |
|      |             |             |            |            |            |        |           |      |       |       |
|      |             |             |            |            |            |        |           |      |       |       |
|      |             |             |            |            |            |        |           |      |       |       |
|      |             |             |            |            |            |        |           |      |       |       |
|      |             |             |            |            |            |        |           |      |       |       |
|      |             |             |            |            |            |        |           |      |       |       |
|      |             |             |            |            |            |        |           |      |       |       |
|      |             |             |            |            |            |        |           |      |       |       |
|      |             |             |            |            |            |        |           |      |       |       |
|      |             |             |            |            |            |        |           |      |       |       |
|      |             |             |            |            |            |        |           |      |       |       |
|      |             |             |            |            |            |        |           |      |       |       |
|      |             |             |            |            |            |        |           |      |       |       |
|      |             |             |            |            |            |        |           |      |       |       |
|      |             |             |            |            |            |        |           |      |       |       |
|      |             |             |            |            |            |        |           |      |       |       |
|      |             |             |            |            |            |        |           |      |       |       |
|      |             |             |            |            |            |        |           |      |       |       |
|      |             |             |            |            |            |        |           |      |       |       |



**MA/MB/Genius/Genius Gaz/ 6-11 10-11 20-11**

| Pos. | Article no. | Description                          |            |            |            |        |           |      |       |       |
|------|-------------|--------------------------------------|------------|------------|------------|--------|-----------|------|-------|-------|
|      |             |                                      | Genius Gaz | Multimax A | Multimax B | Genius | Autoclean | 6-11 | 10-11 | 20-11 |
| 1    | 744042      | Heat exchanger gas right 1011 2011   | ●          |            |            |        | ●         |      | ●     | ●     |
| 2    | 762733      | Heat exchanger gas right 611 d2k     | ●          |            |            |        | ●         | ●    |       |       |
| 3    | 742597      | Heat exchanger gas, left 6-11 d2k    | ●          |            |            |        | ●         | ●    |       |       |
| 4    | 765767      | Heat exchanger gas left 1011 2011    | ●          |            |            |        | ●         |      | ●     | ●     |
| 5    | 742678      | Gasket/exhaust gas flange 6/10/20-11 | ●          |            |            |        | ●         | ●    | ●     | ●     |
| 6    | 742651      | Gasket/burner unit 6/10/20-11        | ●          |            |            |        | ●         | ●    | ●     | ●     |
| 7    | 744026      | Exhaust gas pipe 1011 d2k            | ●          |            |            |        | ●         |      | ●     | ●     |
| 8    | 742694      | Exhaust gas pipe 6-11 d2k            | ●          |            |            |        | ●         | ●    |       |       |
| 12   | e508012     | Washer DIN 125 A 4,3 V2A             | ●          |            |            |        | ●         | ●    | ●     | ●     |
| 13   | e510013     | Toothed disk DIN 6797 J 4,3 V2A      | ●          |            |            |        | ●         | ●    | ●     | ●     |
| 14   | e505031     | Hexagonal nut ISO 4032 M4 V2A DI     | ●          |            |            |        | ●         | ●    | ●     | ●     |
| 15   | e500130     | Countersunk screw DIN 965 M4 x 16 V2 | ●          |            |            |        | ●         | ●    | ●     | ●     |
| 16   | e427038     | Copper gasket                        | ●          |            |            |        | ●         | ●    | ●     | ●     |
| 17   | e510016     | Toothed disk DIN 6797 J 8,4 V2A      | ●          |            |            |        | ●         | ●    | ●     | ●     |
| 18   | e500263     | Cheese head screw DIN 912 M8x15 VA   | ●          |            |            |        | ●         | ●    | ●     | ●     |
| 20   | 742716      | Gasket/fan gas d2k                   | ●          |            |            |        | ●         | ●    | ●     | ●     |
| 21   | 742686      | Radial fan gas d2k                   | ●          |            |            |        | ●         | ●    | ●     | ●     |
| 22   | e505117     | Disk nut M5 V2A                      | ●          |            |            |        | ●         | ●    | ●     | ●     |
| 23   | 744085      | Gasket Venturi d2k                   | ●          |            |            |        | ●         | ●    | ●     | ●     |
| 24   | 743925      | Venturi 611 d2k                      | ●          |            |            |        | ●         | ●    |       |       |
| 25   | 743933      | Venturi 1011 2011 d2k                | ●          |            |            |        | ●         |      | ●     | ●     |
| 26   | 743984      | Nozzle liquid gas Venturi 1011 2011  | ●          |            |            |        | ●         | ●    | ●     | ●     |
| 27   | 743941      | Set of gaskets d2k gas regulat       | ●          |            |            |        | ●         | ●    | ●     | ●     |
| 28   | 744050      | Gas regulating valve d2k             | ●          |            |            |        | ●         | ●    | ●     | ●     |
| 29   | e440170     | Partition screwing gas d2k           | ●          |            |            |        | ●         | ●    | ●     | ●     |
| 30   | e444062     | Hose d2k gas                         | ●          |            |            |        | ●         | ●    | ●     | ●     |
| 33   | e422057     | Hose clamp 40-60 mm                  | ●          |            |            |        | ●         | ●    | ●     | ●     |
| 34   | e444065     | Air hose DN 51 polyurethar           | ●          |            |            |        | ●         | ●    | ●     | ●     |
| 37   | e500105     | Oval-head screw DIN 7985 N           | ●          |            |            |        | ●         | ●    | ●     | ●     |
| 38   | e510014     | Toothed disk DIN 6797 J 5,3 V2A      | ●          |            |            |        | ●         | ●    | ●     | ●     |
| 41   | 742724      | Gasket/electrode block d2k           | ●          |            |            |        | ●         | ●    | ●     | ●     |
| 43   | 768979      | Electrode block 61011 d2k burner     | ●          |            |            |        | ●         | ●    | ●     | ●     |
| 44   | 770973      | Burner, conical 611 d2k              | ●          |            |            |        | ●         | ●    |       |       |
| 45   | 770981      | Burner, conical 10-2011 d2k          | ●          |            |            |        | ●         |      | ●     | ●     |
| 46   | 771619      | Exhaust gas pipe compl. bottom 201   | ●          |            |            |        | ●         |      |       | ●     |
| 48   | 771694      | Vertical pipe compl. gas d2k         | ●          |            |            |        | ●         |      |       |       |
| 49   | 770914      | Flange straight 1/2"                 | ●          |            |            |        | ●         |      |       |       |
| 50   | 774367      | Hose d2k gas                         | ●          |            |            |        | ●         | ●    | ●     | ●     |

| Pos. | Article no. | Description                       |            |            |            |        |           |      |       |       |
|------|-------------|-----------------------------------|------------|------------|------------|--------|-----------|------|-------|-------|
|      |             |                                   | Genius Gaz | Multimax A | Multimax B | Genius | Autoclean | 6-11 | 10-11 | 20-11 |
| 51   | 773832      | Function nut VA RD 15             | ●          |            |            |        | ●         | ●    | ●     | ●     |
| 52   | 773840      | Function nut VA RD 22             | ●          |            |            |        | ●         | ●    | ●     | ●     |
| 53   | 773867      | T-reducer D22-D15-D15 without nut | ●          |            |            |        | ●         | ●    | ●     | ●     |
|      |             |                                   |            |            |            |        |           |      |       |       |
|      |             |                                   |            |            |            |        |           |      |       |       |
|      |             |                                   |            |            |            |        |           |      |       |       |
|      |             |                                   |            |            |            |        |           |      |       |       |
|      |             |                                   |            |            |            |        |           |      |       |       |
|      |             |                                   |            |            |            |        |           |      |       |       |
|      |             |                                   |            |            |            |        |           |      |       |       |
|      |             |                                   |            |            |            |        |           |      |       |       |
|      |             |                                   |            |            |            |        |           |      |       |       |
|      |             |                                   |            |            |            |        |           |      |       |       |
|      |             |                                   |            |            |            |        |           |      |       |       |
|      |             |                                   |            |            |            |        |           |      |       |       |
|      |             |                                   |            |            |            |        |           |      |       |       |
|      |             |                                   |            |            |            |        |           |      |       |       |
|      |             |                                   |            |            |            |        |           |      |       |       |
|      |             |                                   |            |            |            |        |           |      |       |       |
|      |             |                                   |            |            |            |        |           |      |       |       |
|      |             |                                   |            |            |            |        |           |      |       |       |
|      |             |                                   |            |            |            |        |           |      |       |       |
|      |             |                                   |            |            |            |        |           |      |       |       |
|      |             |                                   |            |            |            |        |           |      |       |       |





**MA/MB/Genius/Genius Gaz/ 6-11 10-11 20-11**

| Pos. | Article no. | Description                          |  | Genius Gaz | Multimax A | Multimax B | Genius | Autoclean | 6-11 | 10-11 | 20-11 |
|------|-------------|--------------------------------------|--|------------|------------|------------|--------|-----------|------|-------|-------|
| 1    | 744514      | Electric mounting plate 6/10-11 hin  |  | ●          |            |            | ●      | ●         | ●    | ●     |       |
| 3    | e308056     | Bridge rectifier                     |  | ●          |            |            | ●      | ●         | ●    | ●     |       |
| 4    | e508012     | Washer DIN 125 A 4,3 V2A             |  | ●          |            |            | ●      | ●         | ●    | ●     |       |
| 5    | e510013     | Toothed disk DIN 6797 J 4,3 V2A      |  | ●          |            |            | ●      | ●         | ●    | ●     |       |
| 6    | e505031     | Hexagonal nut ISO 4032 M4 V2A DI     |  | ●          |            |            | ●      | ●         | ●    | ●     |       |
| 9    | e308077     | Anti-interference capa- citor RC 0,2 |  | ●          |            |            | ●      | ●         | ●    | ●     |       |
| 10   | e371025     | End plate for universal clamp 4qm    |  | ●          |            |            | ●      | ●         | ●    | ●     |       |
| 11   | e371010     | End clamp for rail 35 DIN            |  | ●          |            |            | ●      | ●         | ●    | ●     |       |
| 12   | e362070     | Designation strip "" = connection    |  | ●          |            |            | ●      | ●         | ●    | ●     |       |
| 13   | e371022     | Universal clamp grey 4qmm            |  | ●          |            |            | ●      | ●         | ●    | ●     |       |
| 14   | e324023     | Turning contactor 230 V 50/6         |  | ●          |            |            | ●      | ●         | ●    | ●     |       |
| 17   | e362068     | Designation strip "10 A"             |  | ●          |            |            | ●      | ●         | ●    | ●     |       |
| 18   | 752452      | Intermediate end plate d2k           |  | ●          |            |            | ●      | ●         | ●    | ●     |       |
| 19   | 742767      | Interference filter d2k voltage sup  |  | ●          |            |            | ●      | ●         | ●    | ●     |       |
| 20   | e375002     | Fine fuse 10 A slow 5 x 20 mm        |  | ●          |            |            | ●      | ●         | ●    | ●     |       |
| 21   | 742813      | Auxiliary relay 230 V                |  | ●          |            |            | ●      | ●         | ●    | ●     |       |
| 22   | e373009     | Fuse clamp 35 DIN                    |  | ●          |            |            | ●      | ●         | ●    | ●     |       |
| 23   | 764116      | Auxiliary relay 12 v                 |  | ●          |            |            | ●      | ●         | ●    | ●     |       |
| 24   | e324001     | Contacto A9/30-10 230 V 50-6         |  | ●          |            |            | ●      | ●         | ●    | ●     |       |
| 28   | e362162     | Designation strip "4 A"              |  | ●          |            |            | ●      | ●         | ●    | ●     |       |
| 29   | e362067     | Designation strip "2A"               |  | ●          |            |            | ●      | ●         | ●    | ●     |       |
| 30   | e362044     | Designation strip "L1-PE"            |  | ●          |            |            | ●      | ●         | ●    | ●     |       |
| 31   | e362045     | Designation strip "L1-PE"            |  | ●          |            |            | ●      | ●         | ●    | ●     |       |
| 33   | e371063     | Protective conductor clamp 10 q      |  | ●          |            |            | ●      | ●         | ●    | ●     |       |
| 34   | e371064     | Transit clamp grey, 10qmm 10 qmm     |  | ●          |            |            | ●      | ●         | ●    | ●     |       |
| 35   | e371069     | Neutral conductor clamp blue 10qmm   |  | ●          |            |            | ●      | ●         | ●    | ●     |       |
| 36   | e375007     | Fine fuse 2 A slow 5 x 20 mm         |  | ●          |            |            | ●      | ●         | ●    | ●     |       |
| 37   | e375009     | Fine fuse 4 AT                       |  | ●          |            |            | ●      | ●         | ●    | ●     |       |
| 40   | e336029     | Safety thermal release 1-pole 360    |  | ●          |            |            | ●      | ●         | ●    | ●     |       |
| 42   | e500098     | Oval-head screw DIN 7985 M 4x10 V2   |  | ●          |            |            | ●      | ●         | ●    | ●     |       |
| 43   | e427072     | Edge protection 0,5 m d2k            |  | ●          |            |            | ●      | ●         | ●    | ●     |       |
| 44   | e306019     | Rubber socket black PG 16            |  | ●          |            |            | ●      | ●         | ●    | ●     |       |
| #### | e304357     | Harness control 6/10-11 gas d2k      |  | ●          |            |            | ●      | ●         | ●    | ●     |       |

| Pos. | Article no. | Description |  | Genius Gaz | Multimax A | Multimax B | Genius | Autoclean | 6-11 | 10-11 | 20-11 |
|------|-------------|-------------|--|------------|------------|------------|--------|-----------|------|-------|-------|
|      |             |             |  |            |            |            |        |           |      |       |       |
|      |             |             |  |            |            |            |        |           |      |       |       |
|      |             |             |  |            |            |            |        |           |      |       |       |
|      |             |             |  |            |            |            |        |           |      |       |       |
|      |             |             |  |            |            |            |        |           |      |       |       |
|      |             |             |  |            |            |            |        |           |      |       |       |
|      |             |             |  |            |            |            |        |           |      |       |       |
|      |             |             |  |            |            |            |        |           |      |       |       |
|      |             |             |  |            |            |            |        |           |      |       |       |
|      |             |             |  |            |            |            |        |           |      |       |       |
|      |             |             |  |            |            |            |        |           |      |       |       |
|      |             |             |  |            |            |            |        |           |      |       |       |
|      |             |             |  |            |            |            |        |           |      |       |       |
|      |             |             |  |            |            |            |        |           |      |       |       |
|      |             |             |  |            |            |            |        |           |      |       |       |
|      |             |             |  |            |            |            |        |           |      |       |       |
|      |             |             |  |            |            |            |        |           |      |       |       |
|      |             |             |  |            |            |            |        |           |      |       |       |
|      |             |             |  |            |            |            |        |           |      |       |       |
|      |             |             |  |            |            |            |        |           |      |       |       |
|      |             |             |  |            |            |            |        |           |      |       |       |
|      |             |             |  |            |            |            |        |           |      |       |       |

