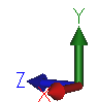
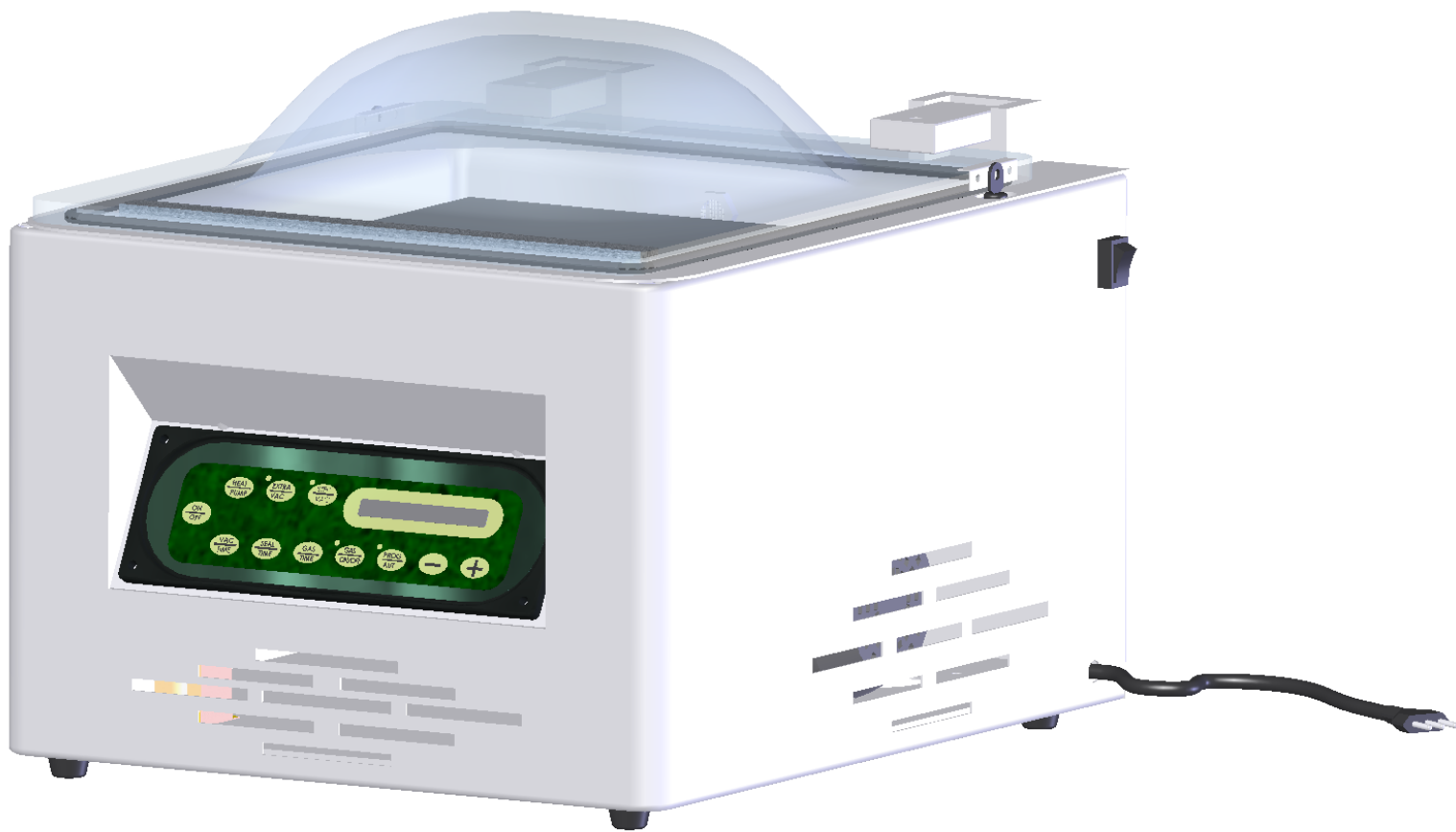
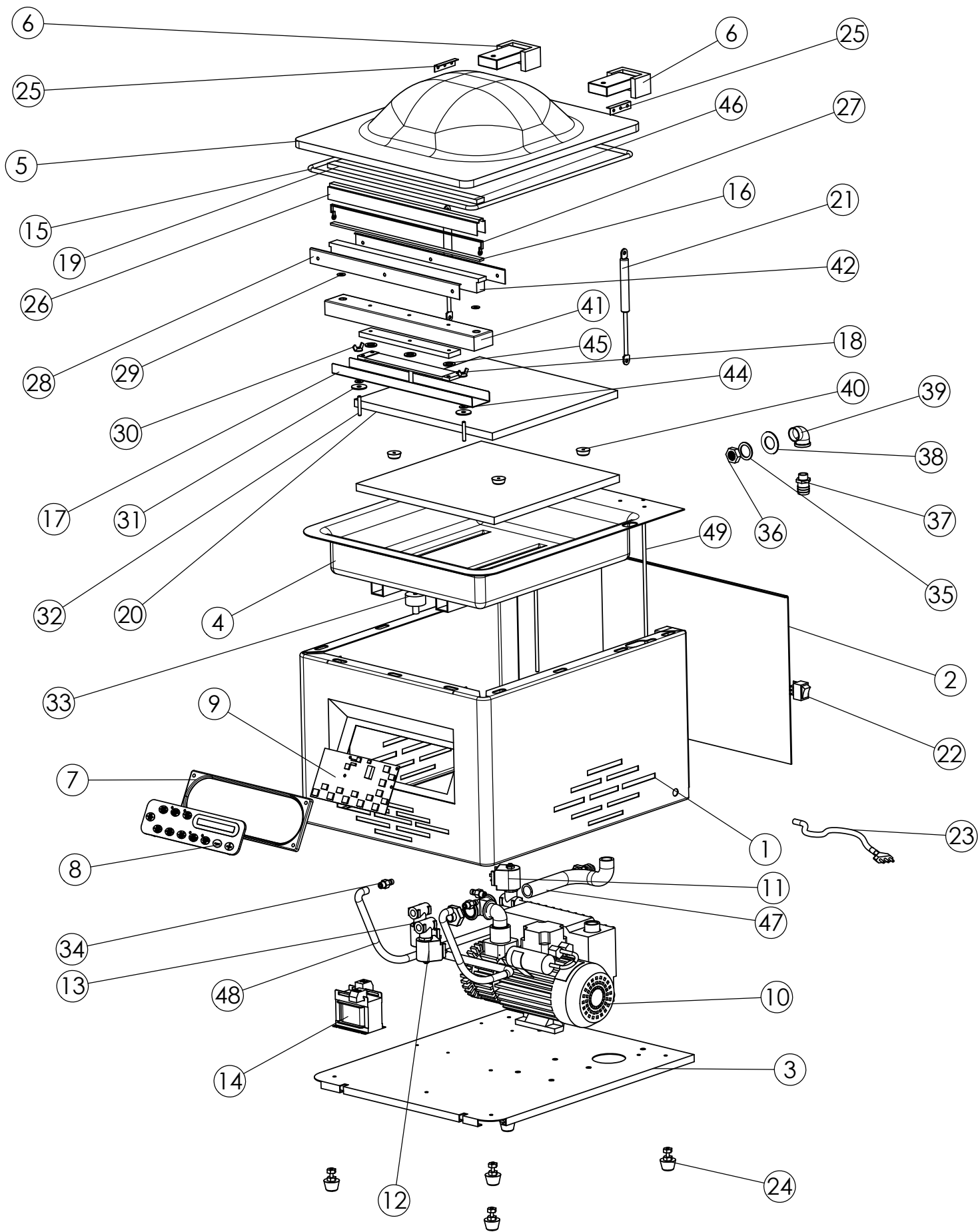


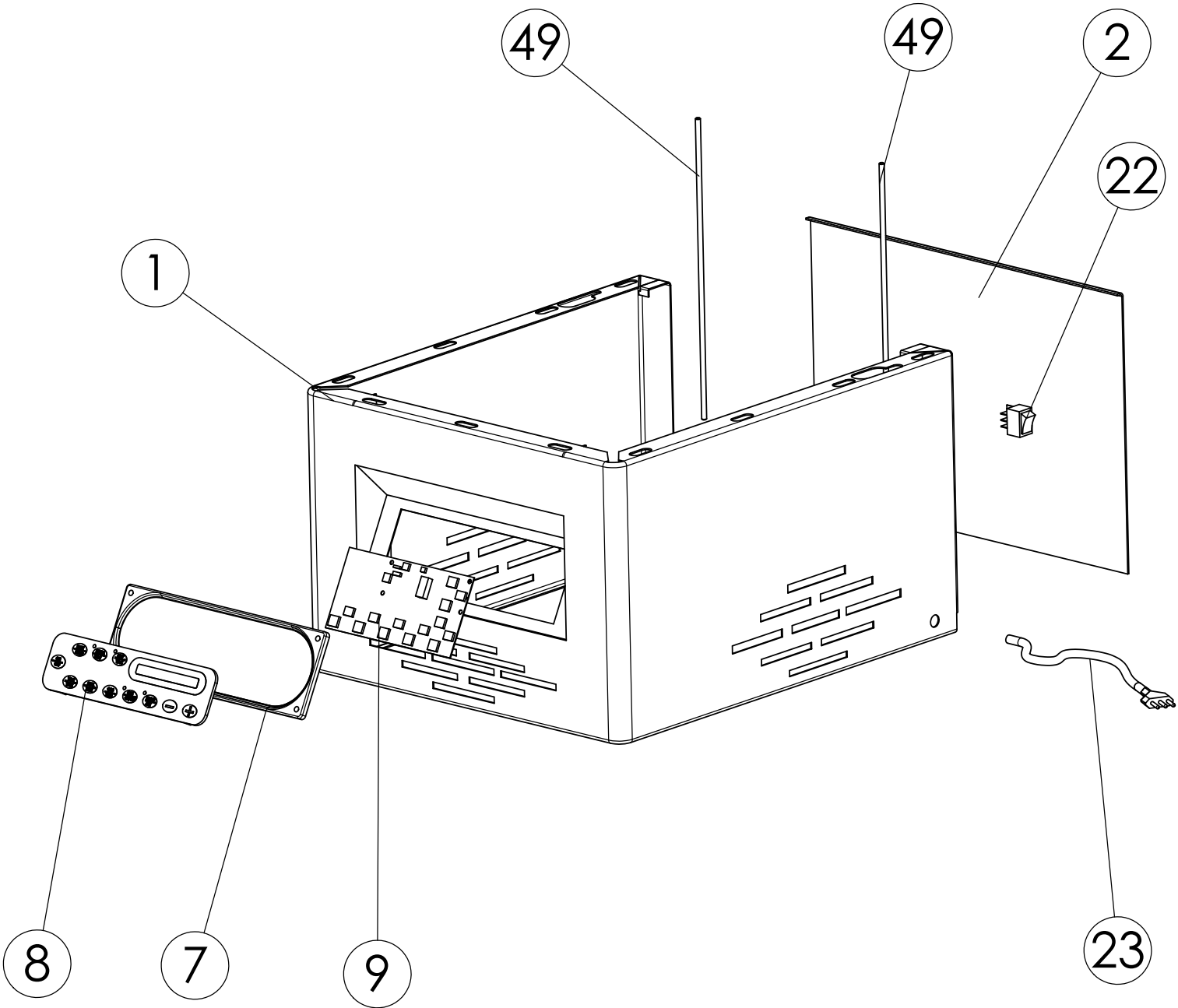
COMPLETE VIEW MODELS WITH BELL FOR THE DESK



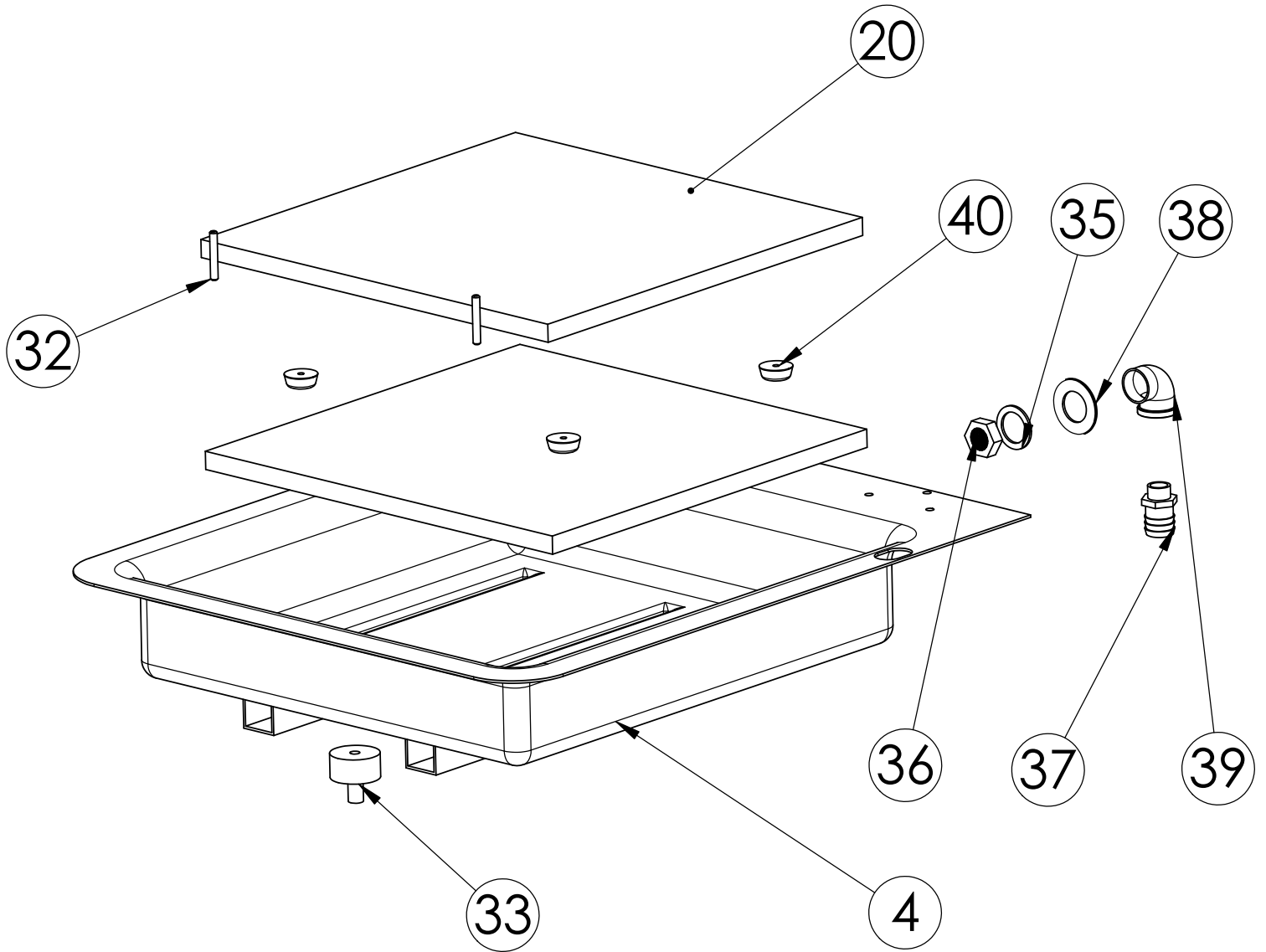
COMPLETE EXPLODED VIEW MODELS WITH BELL FOR THE DESK



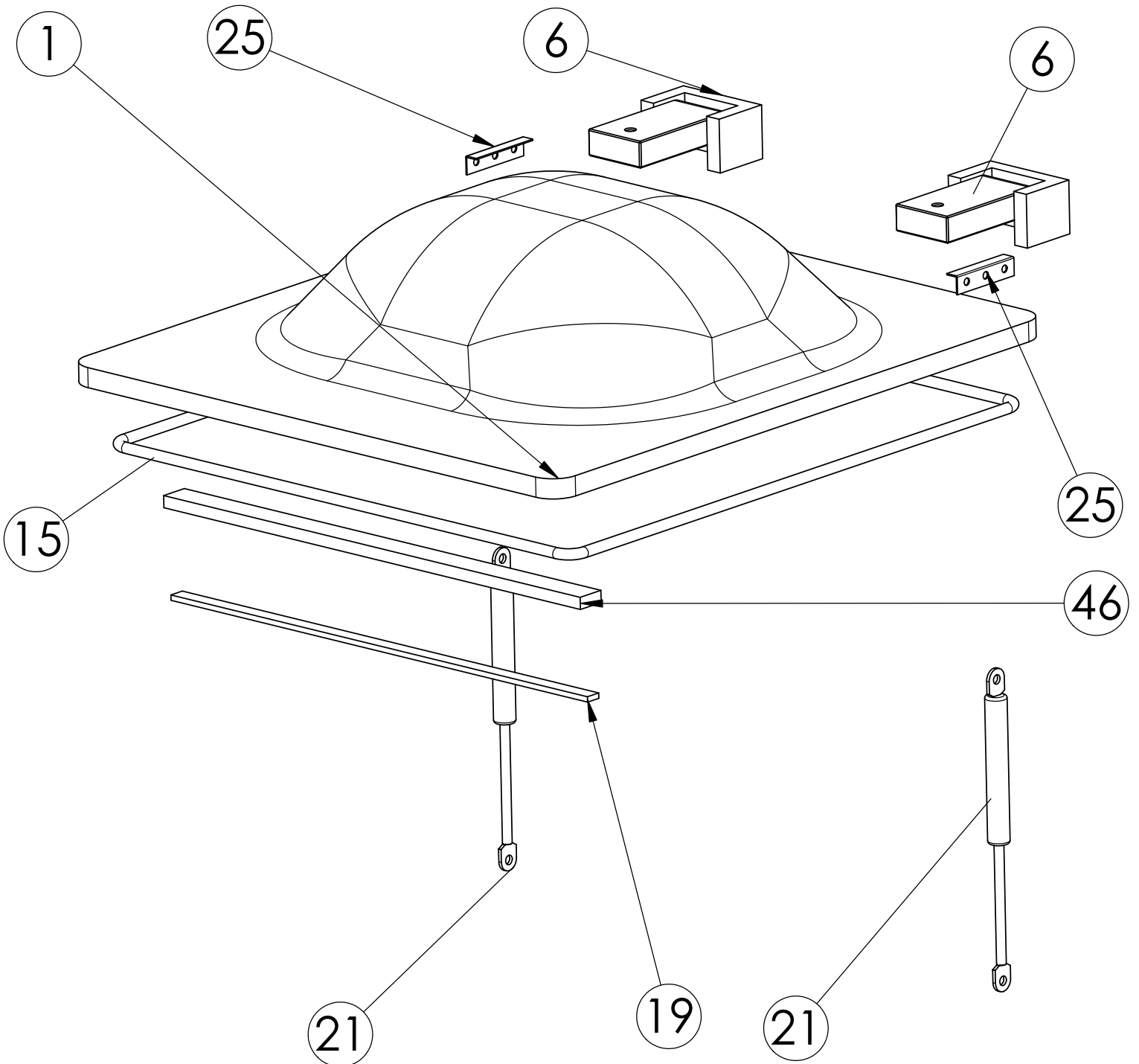
PARTICULAR EXPLODED VIEW STRUCTURE MODELS WITH BELL FOR THE DESK



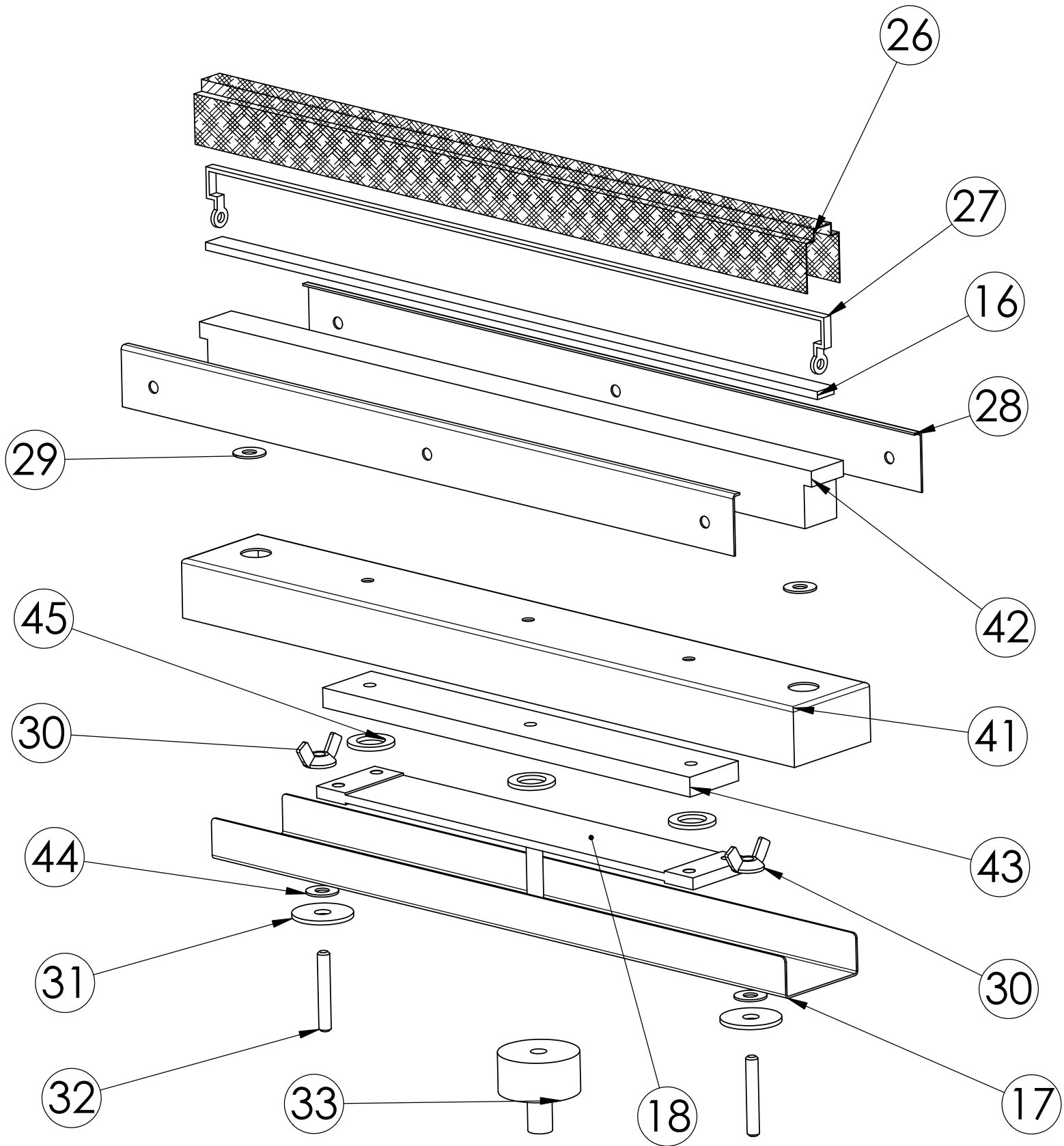
PARTICULAR EXPLODED VIEW CHAMBER MODELS WITH BELL FOR THE DESK



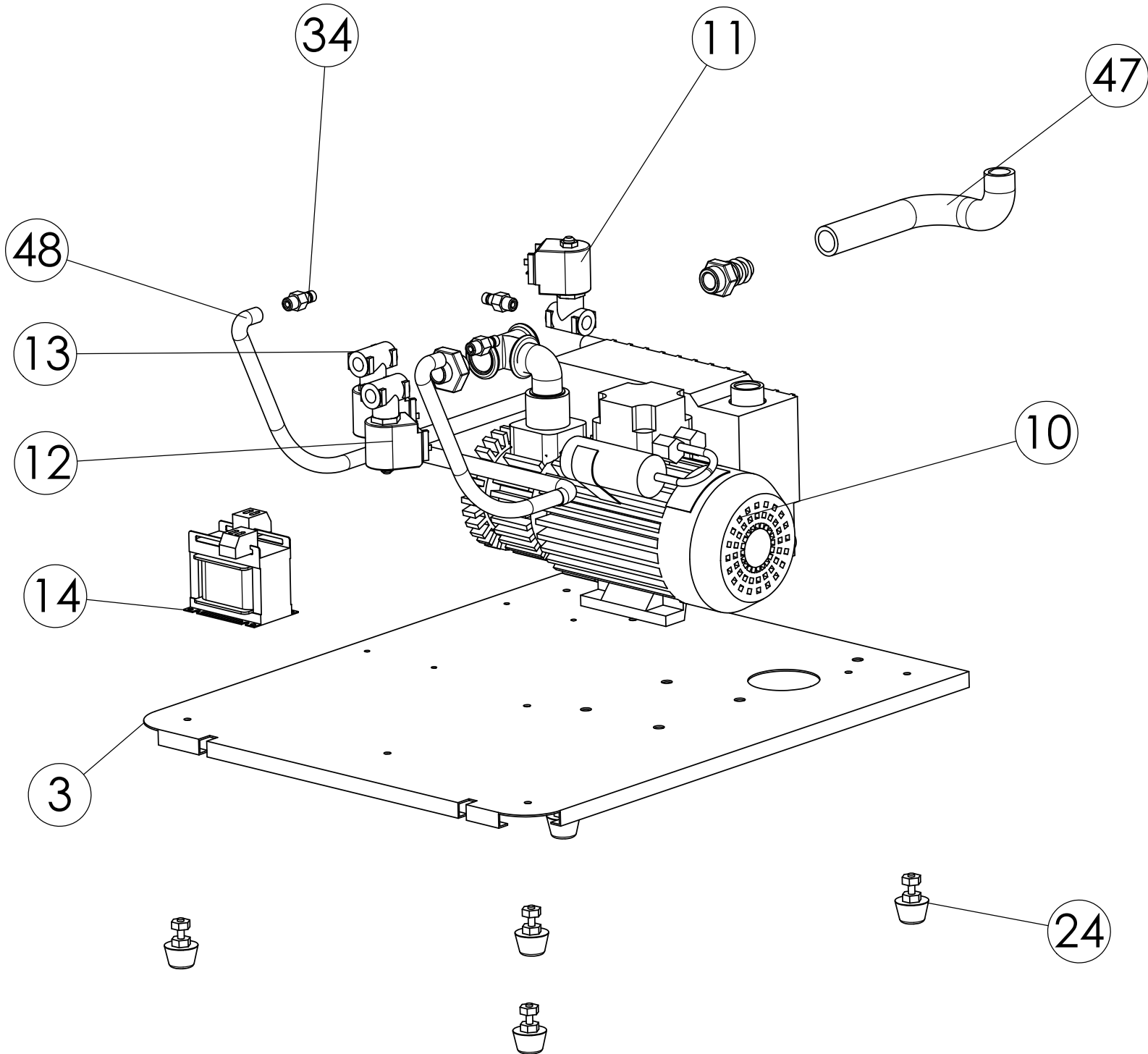
PARTICULAR EXPLODED VIEW BELL MODELS WITH BELL FOR THE DESK



PARTICULAR EXPLODED VIEW BELL MODELS WITH BELL FOR THE DESK



PARTICULAR EXPLODED VIEW MACHINE BASE MODELS WITH BELL FOR THE DESK



COMPONENTS LEGEND OF DIGITAL VACUUM PACKAGING MACHINE WITH BELL FOR THE DESK

- 1 - STAINLESS STEEL STRUCTURE**
- 2 - STAINLESS STEEL BACK DOOR**
- 3 - MACHINE BASE**
- 4 - STAINLESS STEEL PRINTED CHAMBER**
- 5 - PLEXIGLASS BELL**
- 6 - N° 2 ALUMINIUM HINGES TO FIXE THE CHAMBER**
- 7 - SUPPORT FOR THE PANEL OF BLACK ABS**
- 8 - DIGITAL LCD CONTROL PANEL** **COD. 0650T**
- 9 - ELECTRONIC CARD** **COD. 0650**
- 10 - VACUUM PUMP**
- 11 - GAS INJECTION SOLENOID VALVE 2V** **COD. 0618**
- 12 - UNLOADING SOLENOID VALVE 2V** **COD. 0618**
- 13 - SEALING SOLENOID VALVE 3V** **COD. 0618**
- 14 - ELECTRIC TRANSFORMER** **COD. 0676**
- 15 - RUBBER GASKET FOR BELL MODELS** **COD. 0622**
- 16 - BAKELITE SUPPORT**
- 17 - BELOW SUPPORT FOR THE WELDING BAR**
- 18 - WELDING DIAPHRAGM** **COD. 0646**
- 19 - STAINLESS STEEL SILICONE HOLDER**
- 20 - FILLING PLATFORM OF POLYTHYLENE**
- 21 - PISTON FOR BELL OPENING** **COD. 0681**
- 22 - LINE SWITCH** **COD. 0616**
- 23 - POWER SUPPLY CABLE**
- 24 - RUBBER FEET FOR MACHINE SUPPORT** **COD. 0631**
- 25 - SUPPORT FOR PNEUMATIC PISTON**
- 26 - NON CONDUCTOR TEFLON CLOTH** **COD. 0660**
- 27 - ELECTRIC RESISTANCE MM 5X0.30** **COD. 0636**
- 28 - STAINLESS STEEL CORNER FOR SEALING BAR**
- 29 - SPACER WASHER**
- 30 - FIXING SEALING BAR**
- 31 - NON-CONDUCTOR SPACERS OF POLYTHYLENE**
- 32 - CONTACT BAR ELECTRIC RESISTANCE**
- 33 - ALUMINIUM CYLINDER FOR FIXING DIAPHRAGM**
- 34 - NIPPLES**
- 35 - O.R. RUBBER**
- 36 - NIKEL BRASS NUT**
- 37 - NIPPLES**
- 38 - METAL RING**
- 39 - BRASS CURVE FOR ASPIRATION**
- 40 - RUBBER FEET FOR FILLING PLATFORMS**
- 41 - UPPER BOX FOR SEALING BAR** **COD. 0615**
- 42 - POLYTHYLENE BAR** **COD. 0614**
- 43 - COUNTERBALANCE FOR SEALING BAR**
- 44 - SPACER WASHER**
- 45 - SPACER WASHER**
- 46 - LID BAR WITH SILICONE** **COD. 0603**
- 47 - ZINC-COATED MUFF**
- 48 - ASPIRATION TUBE**
- 49 - THREAD BAR M6 FOR AUTOREGULATION**