

**Lavavajillas de capota  
Lave-vaisselle d' capot  
Pass-through dishwasher  
Durchschub geschirrspüler  
Lavastoviglie a cappuccio  
Lava-louças de capota**

**Modelos:**

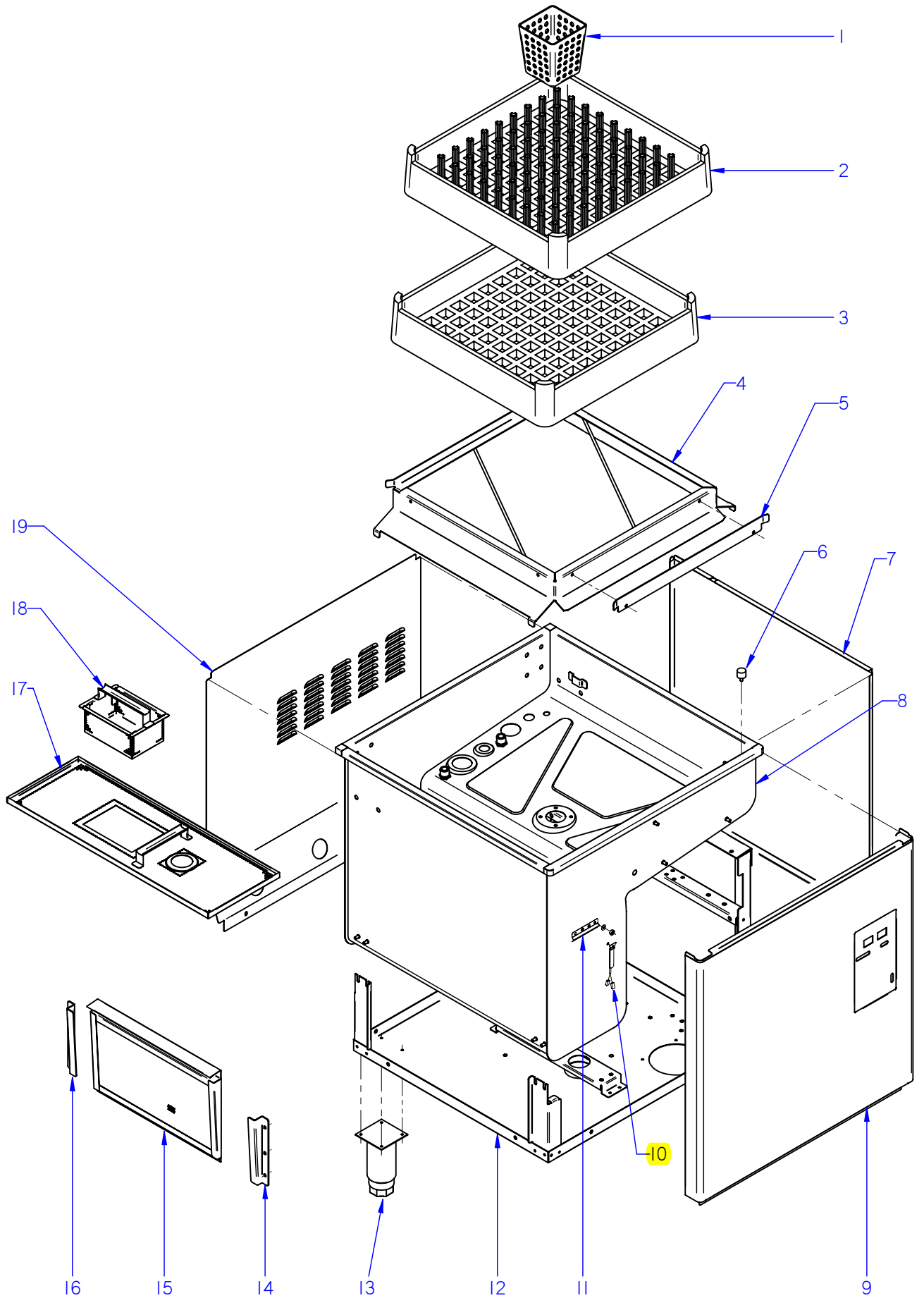
**AD-90  
AD-90 DD  
AD-90 B A  
AD-90 B BT  
AD-90 B DD**

***Diciembre 2009 December***  
***Revisado Septiembre 2013 September Revised***



---

F A G O R I N D U S T R I A L

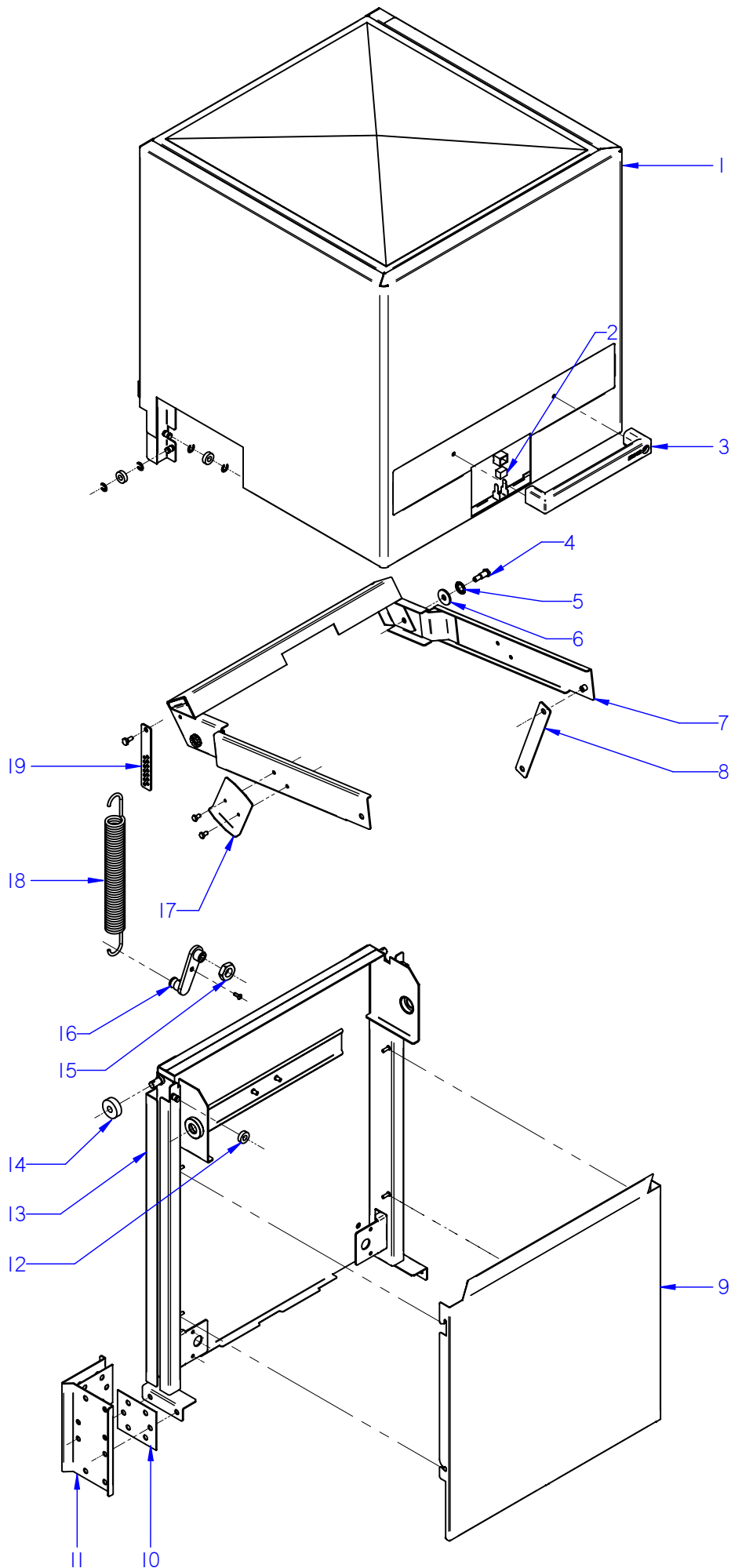


ITEM MARCADO EN COLOR = REPUESTO RECOMENDADO  
 COLOURED ITEM = RECOMMENDED SPARE PART

|         |                    |         |                    |        |        |                                       |
|---------|--------------------|---------|--------------------|--------|--------|---------------------------------------|
| N plano | Firma              | Fecha   | Aparato            | MUEBLE | Lamina | Fagor Industrial S.Coop. <b>FAGOR</b> |
| C-2493  | <i>[Signature]</i> | 2009-12 | LAVAVAJILLAS AD-90 |        | 1      | Oñate                                 |

| MOD. |            | LAVAVAJILLAS DE CAPOTA<br>PASS THROUGH DISHWASHER |                           | ZONA  | MUEBLE / FITTING |           |            |            |  | PLANO | C-2493               |
|------|------------|---|---------------------------|-------|------------------|-----------|------------|------------|--|-------|----------------------|
| ITEM | CODIGO     | DENOMINACION                                      | TEXTO                     | AD-90 | AD-90 DD         | AD-90 B A | AD-90 B BT | AD-90 B DD |  |       | NOTAS                |
| 1    | Z655314000 | CESTILLO CUBIERTOS                                | CUTLERY BASKET            | 2     | 2                | 2         | 2          | 2          |  |       |                      |
| 2    | Z655302000 | CESTILLO PLATOS CP-16-18                          | PLATE BASKET CP-16-18     | 1     | 1                | 1         | 1          | 1          |  |       |                      |
| 3    | Z655301000 | CESTILLO BASE CT-10                               | BASE BASKET CT-10         | 1     | 1                | 1         | 1          | 1          |  |       |                      |
| 4    | Z710377000 | BASE CESTILLO COMPLETA                            | COMPLETE BASKET BASE      | 1     | 1                | 1         | 1          | 1          |  |       |                      |
| 5    | Z710326000 | GUIA CESTILLO                                     | BASKET GUIDE              | 1     | 1                | 1         | 1          | 1          |  |       |                      |
|      | Q152004000 | TORNILLO APLAST. M5x13 A304                       | MUSHROOM HEAD BOLT M5x13  | 2     | 2                | 2         | 2          | 2          |  |       |                      |
|      | Q242030000 | ARANDELA ABANICO A5 A.304                         | FAN WASHER A5 A.304       | 2     | 2                | 2         | 2          | 2          |  |       |                      |
|      | Q162030000 | TUERCA EXAGONAL M5                                | HEXAGONAL NUT M5          | 2     | 2                | 2         | 2          | 2          |  |       |                      |
|      | Q308000000 | ARANDELA DUBO A.8                                 | DUBO A.8 WASHER           | 14    | 14               | 14        | 14         | 14         |  |       |                      |
| 6    | Z710316000 | AMORTIGUADOR                                      | DAMPER                    | 2     | 2                | 2         | 2          | 2          |  |       |                      |
|      | Q262040000 | ARANDELA GROW. A6 A.304                           | WASHER GROW. A6 A.304     | 2     | 2                | 2         | 2          | 2          |  |       |                      |
|      | Q162040000 | TUERCA EXAGONAL M6                                | HEXAGONAL NUT M6          | 2     | 2                | 2         | 2          | 2          |  |       |                      |
|      | Q012073000 | TORNILLO EXAGONAL M12x20                          | HEXAGONAL BOLT M12x20     | 1     | 1                | 1         | 1          | 1          |  |       |                      |
|      | Q306024000 | JUNTA 18x12.2x1.5                                 | SEAL 18x12.2x1.5          | 1     | 1                | 1         | 1          | 1          |  |       |                      |
|      | Q162070000 | TUERCA EXAGONAL M12                               | HEXAGONAL NUT M12         | 1     | 1                | 1         | 1          | 1          |  |       |                      |
| 7    | Z749311000 | PANEL LATERAL DERECHO                             | RIGHT SIDE PANEL          | 1     | 1                | 1         | 1          | 1          |  |       |                      |
|      | Q152004000 | TORNILLO APLAST. M5x13 A304                       | MUSHROOM HEAD BOLT M5x13  | 2     | 2                | 2         | 2          | 2          |  |       |                      |
| S/Nº | Z749312000 | PANEL LATERAL IZQUIERDO                           | LEFT SIDE PANEL           | 1     | 1                | 1         | 1          | 1          |  |       |                      |
|      | Q152004000 | TORNILLO APLAST. M5x13 A304                       | MUSHROOM HEAD BOLT M5x13  | 2     | 2                | 2         | 2          | 2          |  |       |                      |
| 8    | Z710379000 | CUBA COMPLETA AD-80                               | COMPLETE TUB AD-80        | 1     | 1                | 1         | 1          | 1          |  |       | ELIMINADO 06.07.10   |
| 8    | Z740311000 | CUBA COMPLETA AD-90                               | COMPLETE TUB AD-90        | 1     | 1                | 1         | -          | 1          |  |       | INTRODUCIDO 06.07.10 |
| 8    | Z748907000 | CUBA COMPLETA AD-90                               | COMPLETE TUB AD-90        | -     | -                | -         | 1          | -          |  |       |                      |
|      | Q232040000 | ARANDELA A6                                       | WASHER A6                 | 4     | 4                | 4         | 4          | 4          |  |       |                      |
|      | Q302022000 | ARANDELA 16x6x1.2 A.304                           | WASHER 16X6X1.2 A.304     | 4     | 4                | 4         | 4          | 4          |  |       |                      |
|      | Q262040000 | ARANDELA GROW. A6 A.304                           | WASHER GROW. A6 A.304     | 8     | 8                | 8         | 8          | 8          |  |       |                      |
|      | Q162040000 | TUERCA EXAGONAL M6                                | HEXAGONAL NUT M6          | 8     | 8                | 8         | 8          | 8          |  |       |                      |
| 9    | Z712937000 | PANEL FRONTAL AD-80-100-120                       | FRONT PANEL AD-80-100-120 | 1     | 1                | 1         | 1          | 1          |  |       |                      |
| 10   | Z713028000 | SONDAS TEMPERATURA GICAR                          | GICAR TEMPERATURE GAUGE   | 1     | 1                | 1         | 1          | 1          |  |       |                      |
| S/Nº | Z718004000 | AMARRE SONDA                                      | PROBE FASTENING           | 1     | 1                | 1         | 1          | 1          |  |       |                      |
|      | Q242020000 | ARANDELA ABANICO A.4 A304                         | FAN WASHER A.4 A304       | 1     | 1                | 1         | 1          | 1          |  |       |                      |
|      | Q162020000 | TUERCA EXAGONAL M4                                | HEXAGONAL NUT M4          | 1     | 1                | 1         | 1          | 1          |  |       |                      |

| MOD. |            | LAVAVAJILLAS DE CAPOTA<br>PASS THROUGH DISHWASHER |                             | ZONA  | MUEBLE / FITTING |           |            |            |  | PLANO | C-2493                 |
|------|------------|---|-----------------------------|-------|------------------|-----------|------------|------------|--|-------|------------------------|
| ITEM | CODIGO     | DENOMINACION                                      | TEXTO                       | AD-90 | AD-90 DD         | AD-90 B A | AD-90 B BT | AD-90 B DD |  |       | NOTAS                  |
| 11   | Z748008000 | SOPORTE BULBO TERMOSTATO                          | THERMOSTAT BULB SUPPORT     | 1     | 1                | 1         | 1          | 1          |  |       |                        |
|      | Q162040000 | TUERCA EXAGONAL M6                                | HEXAGONAL NUT M6            | 2     | 2                | 2         | 2          | 2          |  |       |                        |
|      | Q232040000 | ARANDELA A6                                       | WASHER A6                   | 2     | 2                | 2         | 2          | 2          |  |       |                        |
|      | Q262040000 | ARANDELA GROW. A6 A.304                           | WASHER GROW. A6 A.304       | 2     | 2                | 2         | 2          | 2          |  |       |                        |
| 12   | Z749303000 | ARMAZON COMPLETO                                  | COMPLETE FRAME              | 1     | 1                | 1         |            | 1          |  |       |                        |
| 12   | Z718921000 | ARMAZON COMPLETO                                  | COMPLETE FRAME              |       |                  |           | 1          |            |  |       |                        |
| 13   | X260151000 | PATA REGULABLE                                    | ADJUSTABLE LEG              | 4     | 4                | 4         | 4          | 4          |  |       |                        |
|      | Q411304000 | REMACHE AVIBULB Ø4,8                              | AVIBULB RIVET Ø4.8          | 16    | 16               | 16        | 16         | 16         |  |       |                        |
| 14   | Z710309000 | GUIA FILTRO ANTERIOR                              | FRONT FILTER GUIDE          | 1     | 1                | 1         | 1          | 1          |  |       |                        |
|      | Q232040000 | ARANDELA A6                                       | WASHER A6                   | 2     | 2                | 2         | 2          | 2          |  |       |                        |
|      | Q162040000 | TUERCA EXAGONAL M6                                | HEXAGONAL NUT M6            | 2     | 2                | 2         | 2          | 2          |  |       |                        |
| 15   | Z710907000 | FILTRO COMPLETO                                   | COMPLETE FILTER             | 1     | 1                | 1         | 1          | 1          |  |       | ELIMINADO 18.02.2013   |
| 15   | 12048626   | FILTRO  | FILTER                      | 1     | 1                | 1         | 1          | 1          |  |       | INTRODUCIDO 18.02.2013 |
| 16   | Z710310000 | GUIA FILTRO POSTERIOR                             | REAR FILTER GUIDE           | 1     | 1                | 1         | 1          | 1          |  |       |                        |
|      | Q232040000 | ARANDELA A6                                       | WASHER A6                   | 2     | 2                | 2         | 2          | 2          |  |       |                        |
|      | Q162040000 | TUERCA EXAGONAL M6                                | HEXAGONAL NUT M6            | 2     | 2                | 2         | 2          | 2          |  |       |                        |
| 17   | Z710801000 | BANDEJA COMPLETA                                  | COMPLETE TRAY               | 1     | 1                | 1         | 1          | 1          |  |       |                        |
| 18   | Z710804000 | RECOGEDOR DESPERDICIOS                            | WASTE COLLECTION            | 1     | 1                | 1         | 1          | 1          |  |       |                        |
| 19   | Z742905000 | PANEL POSTERIOR FI-80                             | REAR PANEL FI-80            | 1     | 1                | 1         | 1          | 1          |  |       |                        |
|      | 3713500000 | PERFIL CUBREARISTAS PLASTICO                      | PLASTIC EDGE COVER PROFILE  | 3     | 3                | 3         | 3          | 3          |  |       |                        |
|      | Q152004000 | TORNIL, APLASTADO M5x13 A304                      | FLAT HEADED BOLT M5x13 A304 | 2     | 2                | 2         | 2          | 2          |  |       |                        |
|      | Z712911000 | TOPE 80x80x20                                     | BUFFER 80x80x20             | 6     | 6                | 6         | 6          | 6          |  |       |                        |
| S/Nº | Z206135000 | CHECK LIST LAVAVAJILLAS FAGOR                     | CHECK LIST                  | 1     | 1                | 1         | 1          | 1          |  |       | INTRODUCIDO 19.07.10   |
|      |            |   |                             |       |                  |           |            |            |  |       |                        |
|      |            |   |                             |       |                  |           |            |            |  |       |                        |
|      |            |   |                             |       |                  |           |            |            |  |       |                        |
|      |            |   |                             |       |                  |           |            |            |  |       |                        |
|      |            |   |                             |       |                  |           |            |            |  |       |                        |
|      |            |   |                             |       |                  |           |            |            |  |       |                        |
|      |            |   |                             |       |                  |           |            |            |  |       |                        |



ITEM MARCADO EN COLOR = REPUESTO RECOMENDADO  
 COLOURED ITEM = RECOMMENDED SPARE PART

|         |                    |         |                    |      |        |                                       |
|---------|--------------------|---------|--------------------|------|--------|---------------------------------------|
| N plano | Firma              | Fecha   | Aparato            | CAPO | Lamina | Fagor Industrial S.Coop. <b>FAGOR</b> |
| C-2494  | <i>[Signature]</i> | 2009-12 | LAVAVAJILLAS AD-90 |      | 2      | Oñate                                 |

| MOD. |            | LAVAVAJILLAS DE CAPOTA<br>PASS THROUGH DISHWASHER |                             | ZONA  | CAPO / HOOD |           |            |            |  | PLANO | C-2494 |
|------|------------|---|-----------------------------|-------|-------------|-----------|------------|------------|--|-------|--------|
| ITEM | CODIGO     | DENOMINACION                                      | TEXTO                       | AD-90 | AD-90 DD    | AD-90 B A | AD-90 B BT | AD-90 B DD |  |       | NOTAS  |
| 1    | Z740505000 | CAPO RECTO COMPLETO                               | COMPLETE STRAIGHT HOOD      | 1     | 1           | 1         | 1          | 1          |  |       |        |
|      | Z710515000 | CASQUILLO RODANTE                                 | REVOLVING BUSHING           | 4     | 4           | 4         | 4          | 4          |  |       |        |
|      | Q271006000 | ARANDELA DE SEGURIDAD 8                           | SAFETY WASHER 8             | 8     | 8           | 8         | 8          | 8          |  |       |        |
| 2    | Z200506000 | IMAN  | MAGNET                      | 1     | 1           | 1         | 1          | 1          |  |       |        |
| S/Nº | Z200507000 | PROTECTOR IMAN                                    | MAGNET PROTECTOR            | 1     | 1           | 1         | 1          | 1          |  |       |        |
| 3    | Z710558000 | ASA CAPOTA AD                                     | AD HOOD HANDLE              | 1     | 1           | 1         | 1          | 1          |  |       |        |
|      | Q032041000 | TORNILLO ALOMADO M6x10                            | CURVED SCREW M6x10          | 2     | 2           | 2         | 2          | 2          |  |       |        |
|      | Q308002000 | ARANDELA DUBO A6 NYLON                            | WASHER DUBO A6 NYLON        | 2     | 2           | 2         | 2          | 2          |  |       |        |
| 4    | Z710542000 | EJE DE GIRO                                       | ROTARY SHAFT                | 2     | 2           | 2         | 2          | 2          |  |       |        |
| 5    | Z710541000 | RODAMIENTO 6200-2RS1                              | BEARING 6200-2RS1           | 2     | 2           | 2         | 2          | 2          |  |       |        |
| 6    | Q308012000 | ARANDELA 30x10x3                                  | WASHER 30x10x3              | 2     | 2           | 2         | 2          | 2          |  |       |        |
| 7    | Z710517000 | BALANCIN COMPLETO                                 | COMPLETE ROCKER ARM         | 1     | 1           | 1         | 1          | 1          |  |       |        |
|      | Q232050000 | ARANDELA A8                                       | WASHER A8                   | 2     | 2           | 2         | 2          | 2          |  |       |        |
|      | Q262050000 | ARANDELA GROW. A8 A.304                           | WASHER GROW. A8 A.304       | 2     | 2           | 2         | 2          | 2          |  |       |        |
|      | Q162050000 | TUERCA EXAGONAL M8x1 INOX.                        | HEXAGONAL NUT M8x1 INOX.    | 2     | 2           | 2         | 2          | 2          |  |       |        |
| 8    | Z710523000 | BIELA   | ROD                         | 2     | 2           | 2         | 2          | 2          |  |       |        |
|      | Q308012000 | ARANDELA 30x10x3                                  | WASHER 30x10x3              | 8     | 8           | 8         | 8          | 8          |  |       |        |
|      | Q232040000 | ARANDELA A6                                       | WASHER A6                   | 4     | 4           | 4         | 4          | 4          |  |       |        |
|      | Q262040000 | ARANDELA GROW. A6 A.304                           | WASHER GROW. A6 A.304       | 4     | 4           | 4         | 4          | 4          |  |       |        |
|      | Q012041000 | TORNILLO EXAGON. M6x10 A.304                      | HEXAGONAL BOLT. M6x10 A.304 | 4     | 4           | 4         | 4          | 4          |  |       |        |
| 9    | Z718932000 | CUBIERTA RESORTES CLINIC                          | SPRING COVER                | 1     | 1           | 1         | 1          | 1          |  |       |        |
| 10   | Z710547000 | JUNTA SOPORTE CAPO                                | HOOD SUPPORT SEAL           | 4     | 4           | 4         | 4          | 4          |  |       |        |
|      | Q012053000 | TORNILLO EXAGON. M8x20 A.304                      | HEXAGONAL BOLT. M8x20 A.304 | 10    | 10          | 10        | 10         | 10         |  |       |        |
|      | Q013153000 | TORNILLO EX M-8x20 LATON CRO.                     | HEX BOLT M-8x20 CHR. BRASS  | 4     | 4           | 4         | 4          | 4          |  |       |        |
|      | Q232050000 | ARANDELA A8                                       | WASHER A8                   | 14    | 14          | 14        | 14         | 14         |  |       |        |
|      | Q262050000 | ARANDELA GROW. A8 A.304                           | WASHER GROW. A8 A.304       | 14    | 14          | 14        | 14         | 14         |  |       |        |
|      | Q162050000 | TUERCA EXAG. M8x1 INOX.                           | HEXAG. SCREW M8x1 STAINLES  | 10    | 10          | 10        | 10         | 10         |  |       |        |
| 11   | Z710539000 | SOPORTE GUIA CAPO                                 | HOOD GUIDE SUPPORT          | 2     | 2           | 2         | 2          | 2          |  |       |        |
| 12   | Z710515000 | CASQUILLO RODANTE                                 | REVOLVING BUSHING           | 2     | 2           | 2         | 2          | 2          |  |       |        |
|      | Q271006000 | ARANDELA DE SEGURIDAD 8                           | SAFETY WASHER 8             | 4     | 4           | 4         | 4          | 4          |  |       |        |

MOD.

LAVAVAJILLAS DE CAPOTA  
PASS THROUGH DISHWASHER

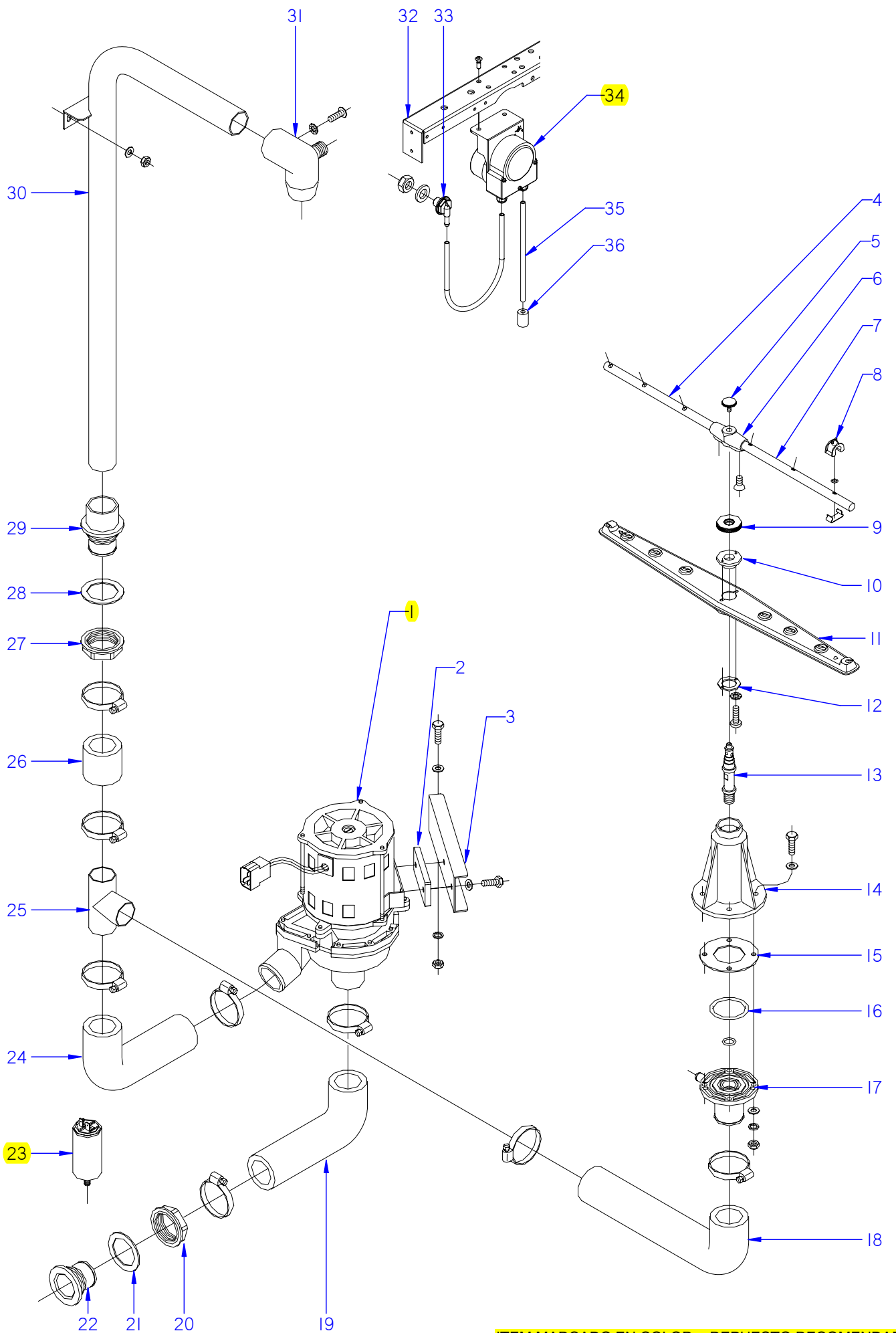
ZONA

CAPO / HOOD

PLANO

C-2494

| ITEM | CODIGO     | DENOMINACION                 | TEXTO                       | AD-90 | AD-90 DD | AD-90 B A | AD-90 B BT | AD-90 B DD |  |  | NOTAS |
|------|------------|------------------------------|-----------------------------|-------|----------|-----------|------------|------------|--|--|-------|
| 13   | Z710524000 | GUIA CAPO COMPLETA           | COMPLETE HOOD GUIDE         | 1     | 1        | 1         | 1          | 1          |  |  |       |
|      | Q352024000 | PASADOR DE ALETA 4x25        | WING PIN 4x25               | 2     | 2        | 2         | 2          | 2          |  |  |       |
| 14   | Z710546000 | CASQUILLO                    | BUSHING                     | 2     | 2        | 2         | 2          | 2          |  |  |       |
| 15   | Q222016000 | TUERCA EXAGONAL M20          | HEXAGONAL BOLT M20          | 2     | 2        | 2         | 2          | 2          |  |  |       |
| 16   | Z710529000 | TENSOR MUELLE                | TENSIONING SPRING           | 2     | 2        | 2         | 2          | 2          |  |  |       |
|      | Q152004000 | TORNILLO APLAST. M5x13 A 304 | MUSHROOM HEAD BOLT M5x13    | 2     | 2        | 2         | 2          | 2          |  |  |       |
| 17   | Z710548000 | ESCUADRA TOPE                | BUFFER BRACKET              | 2     | 2        | 2         | 2          | 2          |  |  |       |
|      | Q012041000 | TORNILLO EXAGON. M6X10 A.304 | HEXAGONAL BOLT. M6X10 A.304 | 4     | 4        | 4         | 4          | 4          |  |  |       |
|      | Q242040000 | ARANDELA ABANICO             | FAN WASHER                  | 4     | 4        | 4         | 4          | 4          |  |  |       |
| 18   | Z710528000 | RESORTE 29230                | SPRING 29230                | 2     | 2        | 2         | 2          | 2          |  |  |       |
| 19   | Z710543000 | ENGANCHE MUELLE              | SPRING HOOK                 | 2     | 2        | 2         | 2          | 2          |  |  |       |
|      | Z710544000 | EJE ENGANCHE MUELLE          | SPRING HOOK SHAFT           | 2     | 2        | 2         | 2          | 2          |  |  |       |
|      | Q232040000 | ARANDELA A6                  | WASHER A6                   | 2     | 2        | 2         | 2          | 2          |  |  |       |
|      | Q222012000 | TUERCA AUTOB. M6             | SELF-LOCK NUT M6            | 2     | 2        | 2         | 2          | 2          |  |  |       |
|      |            |                              |                             |       |          |           |            |            |  |  |       |
|      |            |                              |                             |       |          |           |            |            |  |  |       |
|      |            |                              |                             |       |          |           |            |            |  |  |       |
|      |            |                              |                             |       |          |           |            |            |  |  |       |
|      |            |                              |                             |       |          |           |            |            |  |  |       |
|      |            |                              |                             |       |          |           |            |            |  |  |       |
|      |            |                              |                             |       |          |           |            |            |  |  |       |
|      |            |                              |                             |       |          |           |            |            |  |  |       |
|      |            |                              |                             |       |          |           |            |            |  |  |       |
|      |            |                              |                             |       |          |           |            |            |  |  |       |
|      |            |                              |                             |       |          |           |            |            |  |  |       |
|      |            |                              |                             |       |          |           |            |            |  |  |       |
|      |            |                              |                             |       |          |           |            |            |  |  |       |
|      |            |                              |                             |       |          |           |            |            |  |  |       |
|      |            |                              |                             |       |          |           |            |            |  |  |       |



ITEM MARCADO EN COLOR = REPUESTO RECOMENDADO  
 COLOURED ITEM = RECOMMENDED SPARE PART

|         |                    |         |                    |                           |        |                                       |
|---------|--------------------|---------|--------------------|---------------------------|--------|---------------------------------------|
| N plano | Firma              | Fecha   | Aparato            | CONJUNTO FUNCIONAL LAVADO | Lamina | Fagor Industrial S.Coop. <b>FAGOR</b> |
| C-2495  | <i>(Signature)</i> | 2009-12 | LAVAVAJILLAS AD-90 |                           | 3      | Oñate                                 |



| MOD. |            | LAVAVAJILLAS DE CAPOTA<br>PASS THROUGH DISHWASHER |                             | ZONA  | PARTE FUNCIONAL LAVADO<br>WASH FUNCTIONAL PART |           |            |            |  | PLANO | C-2495                 |
|------|------------|---|-----------------------------|-------|--|-----------|------------|------------|--|-------|------------------------|
| ITEM | CODIGO     | DENOMINACION                                      | TEXTO                       | AD-90 | AD-90 DD                                       | AD-90 B A | AD-90 B BT | AD-90 B DD |  |       | NOTAS                  |
| 1    | Z201011000 | BOMBA DE LAVADO                                   | WASH PUMP                   | 1     | 1  | 1         | 1          | 1          |  |       |                        |
| 1    | Z203511000 | BOMBA DE LAVADO 60 HZ.                            | WASH PUMP 60 Hz.            | 1     | 1  | 1         |            | 1          |  |       |                        |
| 2    | Z201003000 | BASE BOMBA LAVADO 1003016                         | WASH PUMP BASE 1003016      | 1     | 1  | 1         | 1          | 1          |  |       |                        |
|      | Q232040000 | ARANDELA A6                                       | WASHER A6                   | 2     | 2  | 2         | 2          | 2          |  |       |                        |
|      | Q012042000 | TORNILLO EXAGONAL M6x15                           | HEXAGONAL BOLT M6x15        | 2     | 2  | 2         | 2          | 2          |  |       |                        |
| 3    | Z711002000 | SOPORTE MOTOBOMBA POSTER.                         | REAR MOTOR PUMP SUPPORT     | 1     | 1  | 1         | 1          | 1          |  |       |                        |
| 4    | Z208712000 | RAMA ACLARADO IZQUIERDA                           | LEFT RINSE BRANCH           | 2     | 2  | 2         | 2          | 2          |  |       | ELIMINADO 21.12.10     |
| 4    | Z201902000 | RAMA ACLARADO IZQUIERDA                           | LEFT RINSE BRANCH           | 2     | 2  | 2         | 2          | 2          |  |       | INTRODUCIDO 21.12.10   |
| 5    | Q152016000 | TORNILLO ESPECIAL M.5x0.8                         | SPECIAL BOLT M.5X0.8        | 2     | 2  | 2         | 2          | 2          |  |       |                        |
| 6    | Z201903000 | SOPORTE RAMA ACLARADO COM.                        | COM. RINSE BRANCH SUPPORT   | 2     | 2  | 2         | 2          | 2          |  |       |                        |
|      | Q042021000 | TORNILLO AVELLAN. M4x10 A304                      | COUNTERSUNK BOLT M4x10 A304 | 4     | 4  | 4         | 4          | 4          |  |       |                        |
| 7    | Z208713000 | RAMA ACLARADO DERECHA                             | RIGHT RINSE BRANCH          | 2     | 2  | 2         | 2          | 2          |  |       | ELIMINADO 21.12.10     |
| 7    | Z201901000 | RAMA ACLARADO DERECHA                             | RIGHT RINSE BRANCH          | 2     | 2  | 2         | 2          | 2          |  |       | INTRODUCIDO 21.12.10   |
| 8    | Z201905000 | TOBERA ACLARADO                                   | RINSE NOZZLE                |       |  |           | 12         |            |  |       |                        |
| 8    | Z201905000 | TOBERA ACLARADO                                   | RINSE NOZZLE                | 12    | 12   | 12        |            | 12         |  |       | ELIMINADO 21.12.10     |
| 8    | Z211903000 | TOBERA ACLARADO                                   | RINSE NOZZLE                | 12    | 12   | 12        |            | 12         |  |       | INTRODUCIDO 21.12.10   |
|      | Q307036000 | JUNTA TORICA 5,25X8,84X1,78                       | O-RING 5,25X8,84X1,78       | 12    | 12   | 12        |            | 12         |  |       | ELIMINADO 21.12.10     |
|      | Z201906000 | ENGANCHE TOBERA                                   | ANCHORAGE NOZZLE            | 12    | 12   | 12        |            | 12         |  |       | ELIMINADO 21.12.10     |
| 9    | Z200705000 | TUERCA ESPECIAL                                   | SPECIAL NUT                 | 2     | 2  | 2         | 2          | 2          |  |       |                        |
| 10   | Z650704000 | ENGANCHE DISTRIBUIDOR                             | DISTRIBUTOR CATCH           | 2     | 2  | 2         | 2          | 2          |  |       | ELIMINADO 11.02.2013   |
| 10   | 12045103   | ENGANCHE DISTRIBUIDOR                             | DISTRIBUTOR CATCH           | 2     | 2  | 2         | 2          | 2          |  |       | INTRODUCIDO 11.02.2013 |
| 11   | Z650716000 | DISTRIBUIDOR COMPLETO                             | COMPLETE DISTRIBUTOR        | 2     | 2  | 2         | 2          | 2          |  |       |                        |
| 12   | Z650711000 | AMARRE ENGANCHE DISTRIBUID.                       | ANCHORAGE DISTRIBUTOR       | 2     | 2  | 2         | 2          | 2          |  |       |                        |
|      | Q032011000 | TORNILLO ALOMADO M3x10                            | CURVED SCREW M3X10          | 4     | 4  | 4         | 4          | 4          |  |       |                        |
|      | Q242010000 | ARANDELA ABANICO A3 A.304                         | FAN WASHER A3 A.304         | 4     | 4  | 4         | 4          | 4          |  |       |                        |
| 13   | Z200704000 | EJE CENTRAL                                       | CENTRAL SHAFT               | 2     | 2  | 2         | 2          | 2          |  |       |                        |
| 14   | Z740705000 | SOPORTE DISTRIBUIDOR INFER.                       | LOWER DISTRIBUTION SUPPORT  | 1     | 1  | 1         | 1          | 1          |  |       |                        |
| 15   | Z710714000 | JUNTA DE GOMA                                     | RUBBER SEAL                 | 1     | 1  | 1         | 1          | 1          |  |       |                        |
| 16   | Q307057000 | JUNTA TORICA 47.22x54.28x3.53                     | O-RING 47.22x54.28x3.53     | 1     | 1  | 1         | 1          | 1          |  |       |                        |
|      | Q307050000 | JUNTA TORICA 13.94x19.18x2.6                      | O-RING 13.94x19.18x2.6      | 1     | 1  | 1         | 1          | 1          |  |       |                        |

| MOD. |            | LAVAVAJILLAS DE CAPOTA<br>THROUGH DISHWASHER |                            | PASS  | ZONA     | PARTE FUNCIONAL LAVADO<br>WASH FUNCTIONAL PART |            |            |  |  | PLANO | C-2495 |
|------|------------|--|----------------------------|-------|----------|--|------------|------------|--|--|-------|--------|
| ITEM | CODIGO     | DENOMINACION                                 | TEXTO                      | AD-90 | AD-90 DD | AD-90B A                                       | AD-90 B BT | AD-90 B DD |  |  | NOTAS |        |
| 17   | Z710706000 | PASAMUROS                                    | BUSHING                    | 1     | 1        | 1  | 1          | 1          |  |  |       |        |
|      | Q012044000 | TORNILLO EXAGONAL M6x25                      | HEXAGONAL BOLT M6x25       | 4     | 4        | 4  | 4          | 4          |  |  |       |        |
|      | Q306050000 | ARANDELA 6x12x1.5                            | WASHER 6x12x1.5            | 4     | 4        | 4  | 4          | 4          |  |  |       |        |
|      | Q232040000 | ARANDELA A6                                  | WASHER A6                  | 4     | 4        | 4  | 4          | 4          |  |  |       |        |
|      | Q262040000 | ARANDELA GROW. A6 A.304                      | WASHER GROW. A6 A.304      | 4     | 4        | 4  | 4          | 4          |  |  |       |        |
|      | Q162040000 | TUERCA EXAGONAL M6                           | HEXAGONAL NUT M6           | 4     | 4        | 4  | 4          | 4          |  |  |       |        |
| 18   | Z740903000 | CONDUCTO INFERERIOR                          | LOWER PIPE                 | 1     | 1        | 1  |            | 1          |  |  |       |        |
| 18   | Z710906000 | CONDUCTO INFERERIOR POSTER.                  | BACK LOWER PIPE            |       |          |  | 1          |            |  |  |       |        |
| 19   | Z710904000 | CONDUCTO ASPIRACION                          | EXTRACTOR PIPE             | 1     | 1        | 1  | 1          | 1          |  |  |       |        |
|      | Q881307000 | ABRAZADERA 40-60                             | CLAMP 40-60                | 4     | 4        | 4  | 4          | 4          |  |  |       |        |
| 20   | Z710708000 | TUERCA PASAMUROS                             | WALL BUSHING NUT           | 1     | 1        | 1  | 1          | 1          |  |  |       |        |
| 21   | Q307058000 | ARANDELA 60x44x2                             | WASHER 60x44x2             | 1     | 1        | 1  | 1          | 1          |  |  |       |        |
| 22   | Z710903000 | PASAMUROS ASPIRACION                         | EXTRACTOR BUSHING          | 1     | 1        | 1  | 1          | 1          |  |  |       |        |
| 23   | V321300000 | CONDENSADOR 10 M,F,                          | CONDENSER 10 M,F,          | 1     | 1        | 1  | 1          | 1          |  |  |       |        |
|      | Q162050000 | TUERCA EXAGONAL M8x1 INOX,                   | HEXAGONAL NUT M8x1 INOX.   | 2     | 2        | 2  | 2          | 2          |  |  |       |        |
| 24   | Z740901000 | CONDUCTO IMPULSION                           | IMPULSE PIPE               | 1     | 1        | 1  |            | 1          |  |  |       |        |
| 24   | Z710905000 | CONDUCTO IMPULSION ANTERIOR                  | BEFORE IMPULSE PIPE        |       |          |  | 1          |            |  |  |       |        |
|      | Q881307000 | ABRAZADERA 40-60                             | CLAMP 40-60                | 2     | 2        | 2  | 2          | 2          |  |  |       |        |
| 25   | Z740905000 | TE IMPULSION                                 | IMPULSE T                  | 1     | 1        | 1  |            | 1          |  |  |       |        |
| 26   | Z740902000 | CONDUCTO SUPERIOR                            | UPPER PIPE                 | 1     | 1        | 1  |            | 1          |  |  |       |        |
|      | Q881307000 | ABRAZADERA 40-60                             | CLAMP 40-60                | 2     | 2        | 2  |            | 2          |  |  |       |        |
| 27   | Z710708000 | TUERCA PASAMUROS                             | WALL BUSHING NUT           | 1     | 1        | 1  | 1          | 1          |  |  |       |        |
| 28   | Q307058000 | ARANDELA 60x44x2                             | WASHER 60x44x2             | 1     | 1        | 1  | 1          | 1          |  |  |       |        |
| 29   | Z740701000 | PASAMUROS ARBOL LAVADO                       | WASH CAM BUSHING           | 1     | 1        | 1  |            | 1          |  |  |       |        |
| 29   | Z330790000 | PASAMUROS IMPULSION PRELAV.                  | PREWASH IMPULSE BUSHING    |       |          |  | 1          |            |  |  |       |        |
| 30   | Z710709000 | ARBOL LAVADO COMPLETO                        | COMPLETE WASH CAM          | 1     | 1        | 1  | 1          | 1          |  |  |       |        |
|      | Q232040000 | ARANDELA A6                                  | WASHER A6                  | 2     | 2        | 2  | 2          | 2          |  |  |       |        |
|      | Q162040000 | TUERCA EXAGONAL M6                           | HEXAGONAL NUT M6           | 2     | 2        | 2  | 2          | 2          |  |  |       |        |
| 31   | Z740703000 | SOPORTE DISTRIBUIDOR SUPER.                  | UPPER DISTRIBUTION SUPPORT | 1     | 1        | 1  | 1          | 1          |  |  |       |        |
|      | Q152004000 | TORNILLO APLAST. M5x13 A.304                 | MUSHROOM HEAD BOLT M5x13 A | 1     | 1        | 1  | 1          | 1          |  |  |       |        |
|      | Q242030000 | ARANDELA ABANICO A5 A.304                    | FAN WASHER A5 A.304        | 1     | 1        | 1  | 1          | 1          |  |  |       |        |

MOD.

LAVAVAJILLAS DE CAPOTA  
PASS THROUGH DISHWASHER

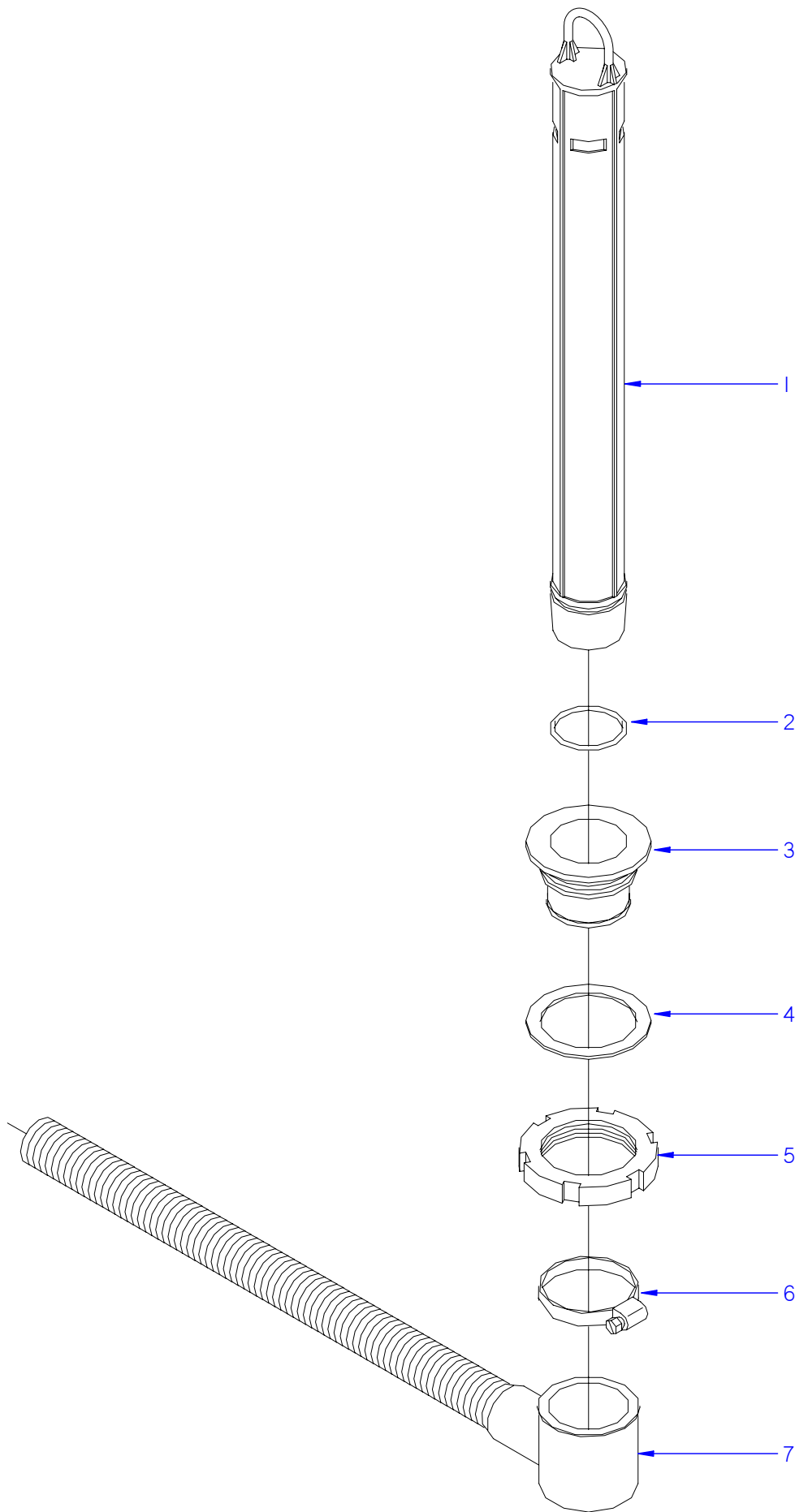
ZONA

PARTE FUNCIONAL LAVADO  
WASH FUNCTIONAL PART


PLANO

C-2495

| ITEM | CODIGO     | DENOMINACION                 | TEXTO                      | AD-90 | AD-90 DD | AD-90 B A | AD-90 B BT | AD-90 B DD |  | NOTAS                |
|------|------------|------------------------------|----------------------------|-------|----------|-----------|------------|------------|--|----------------------|
| 32   | -----      | TRAVESAÑO                    |                            |       | 1        |           | 1          | 1          |  |                      |
| 33   | Z230905000 | PASAMUROS DETERGENTE         | INOX DETERGENT WALL BUSHIN |       | 1        |           |            | 1          |  | ELIMINADO 30.11.10   |
| 33   | Z208927000 | PASAMUROS DETERGENTE INOX    | DETERGENT WALL BUSHING     |       | 1        |           |            | 1          |  | INTRODUCIDO 30.11.10 |
| S/Nº | 3699200000 | CONDUCTO DOSIFICA FOR 6X4    | DOSE FOR CONDUIT 6X4       |       | 1        |           | 1          | 1          |  |                      |
| 34   | Z208903000 | DOSIFIC. DGTE REGULABLE G300 | DOSE FOR DETERGENT         |       | 1        |           |            | 1          |  |                      |
| 34   | Z208915000 | DOSIFICADOR DGTE ABRILLANT.  | DETERGENT DISPENSER RINS.  |       |          |           |            |            |  |                      |
| 35   | Z448614000 | CONDUCTO ASPIRACIÓN          | CONDUIT                    |       | 1        |           |            | 1          |  |                      |
| 35   | Z448618000 | CONDUCTO ABRILLANTADOR       | POLISH DUCT                |       |          |           | 1          |            |  |                      |
| 36   | Z701152000 | PESO FILTRO                  |                            |       | 1        |           | 1          | 1          |  |                      |
|      |            |                              |                            |       |          |           |            |            |  |                      |
|      |            |                              |                            |       |          |           |            |            |  |                      |
|      |            |                              |                            |       |          |           |            |            |  |                      |
|      |            |                              |                            |       |          |           |            |            |  |                      |
|      |            |                              |                            |       |          |           |            |            |  |                      |
|      |            |                              |                            |       |          |           |            |            |  |                      |
|      |            |                              |                            |       |          |           |            |            |  |                      |
|      |            |                              |                            |       |          |           |            |            |  |                      |
|      |            |                              |                            |       |          |           |            |            |  |                      |
|      |            |                              |                            |       |          |           |            |            |  |                      |
|      |            |                              |                            |       |          |           |            |            |  |                      |
|      |            |                              |                            |       |          |           |            |            |  |                      |
|      |            |                              |                            |       |          |           |            |            |  |                      |
|      |            |                              |                            |       |          |           |            |            |  |                      |
|      |            |                              |                            |       |          |           |            |            |  |                      |
|      |            |                              |                            |       |          |           |            |            |  |                      |
|      |            |                              |                            |       |          |           |            |            |  |                      |
|      |            |                              |                            |       |          |           |            |            |  |                      |
|      |            |                              |                            |       |          |           |            |            |  |                      |
|      |            |                              |                            |       |          |           |            |            |  |                      |
|      |            |                              |                            |       |          |           |            |            |  |                      |
|      |            |                              |                            |       |          |           |            |            |  |                      |
|      |            |                              |                            |       |          |           |            |            |  |                      |
|      |            |                              |                            |       |          |           |            |            |  |                      |
|      |            |                              |                            |       |          |           |            |            |  |                      |
|      |            |                              |                            |       |          |           |            |            |  |                      |
|      |            |                              |                            |       |          |           |            |            |  |                      |
|      |            |                              |                            |       |          |           |            |            |  |                      |
|      |            |                              |                            |       |          |           |            |            |  |                      |
|      |            |                              |                            |       |          |           |            |            |  |                      |
|      |            |                              |                            |       |          |           |            |            |  |                      |
|      |            |                              |                            |       |          |           |            |            |  |                      |
|      |            |                              |                            |       |          |           |            |            |  |                      |
|      |            |                              |                            |       |          |           |            |            |  |                      |
|      |            |                              |                            |       |          |           |            |            |  |                      |
|      |            |                              |                            |       |          |           |            |            |  |                      |
|      |            |                              |                            |       |          |           |            |            |  |                      |
|      |            |                              |                            |       |          |           |            |            |  |                      |
|      |            |                              |                            |       |          |           |            |            |  |                      |
|      |            |                              |                            |       |          |           |            |            |  |                      |
|      |            |                              |                            |       |          |           |            |            |  |                      |
|      |            |                              |                            |       |          |           |            |            |  |                      |
|      |            |                              |                            |       |          |           |            |            |  |                      |
|      |            |                              |                            |       |          |           |            |            |  |                      |
|      |            |                              |                            |       |          |           |            |            |  |                      |
|      |            |                              |                            |       |          |           |            |            |  |                      |
|      |            |                              |                            |       |          |           |            |            |  |                      |
|      |            |                              |                            |       |          |           |            |            |  |                      |
|      |            |                              |                            |       |          |           |            |            |  |                      |
|      |            |                              |                            |       |          |           |            |            |  |                      |
|      |            |                              |                            |       |          |           |            |            |  |                      |

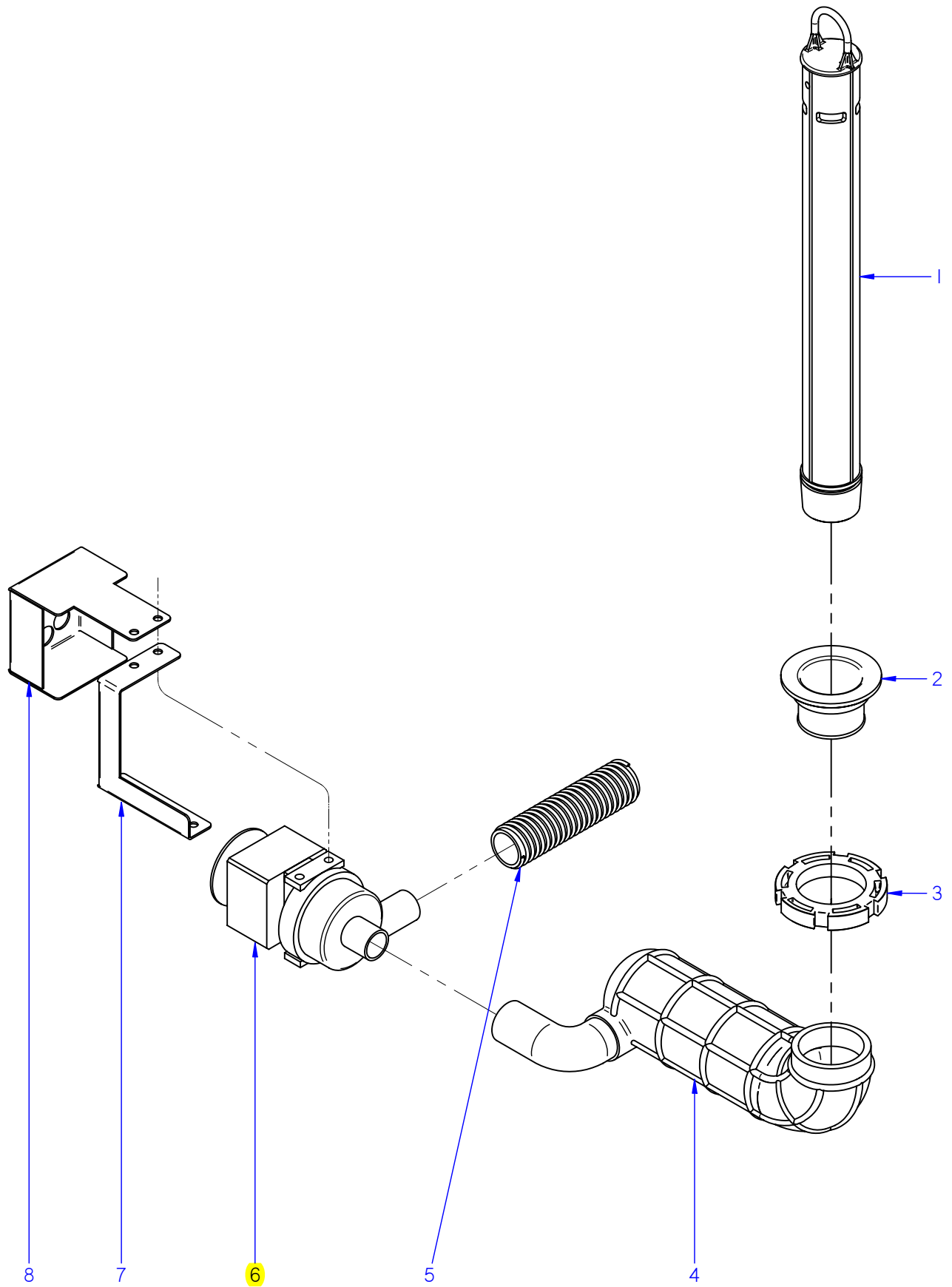


ITEM MARCADO EN COLOR = REPUESTO RECOMENDADO  
 COLOURED ITEM = RECOMMENDED SPARE PART

|         |                    |         |                               |                            |        |   |
|---------|--------------------|---------|-------------------------------|----------------------------|--------|---|
| N plano | Firma              | Fecha   | Aparato                       | CONJUNTO FUNCIONAL DESAGUE | Lamina | Fagor Industrial S.Coop. <b>FAGOR</b>   |
| C-2496  | <i>(Signature)</i> | 2009-12 | LAVAVAJILLAS AD-90 / AD-90 DD | 4                          | Oñate  |  |

**MOD.****LAVAVAJILLAS DE CAPOTA  
PASS THROUGH DISHWASHER****ZONA****PARTE FUNCIONAL DESAGÜE  
DRAINAGE FUNCTIONAL PART****PLANO****C-2496**

| <b>ITEM</b> | <b>CODIGO</b> | <b>DENOMINACION</b>       | <b>TEXTO</b>           | <b>AD-90</b> | <b>AD-90 DD</b> |  |  |  |  |  | <b>NOTAS</b> |
|-------------|---------------|---------------------------|------------------------|--------------|-----------------|--|--|--|--|--|--------------|
| 1           | Z710901000    | ALVIADERO                 | OVERFLOW               | 1            | 1               |  |  |  |  |  |              |
| 2           | Q307051000    | JUNTA TOR.36.17X41.41X2.6 | O-RING 36.17X41.41X2.6 | 1            | 1               |  |  |  |  |  |              |
| 3           | Z710902000    | PASAMUROS DESAGUE         | DRAINAGE BUSHING       | 1            | 1               |  |  |  |  |  |              |
| 4           | Q307059000    | JUNTA 72x56x2             | SEAL 72x56x2           | 1            | 1               |  |  |  |  |  |              |
| 5           | Q220001000    | TUERCA RANURADA           | GROOVED NUT            | 1            | 1               |  |  |  |  |  |              |
| 6           | Q881307000    | ABRAZADERA 40-60          | CLAMP 40-60            | 1            | 1               |  |  |  |  |  |              |
| 7           | Z200910000    | MANGUERA DESAGUE          | DRAINAGE HOSE          | 1            | 1               |  |  |  |  |  |              |
|             |               |                           |                        |              |                 |  |  |  |  |  |              |
|             |               |                           |                        |              |                 |  |  |  |  |  |              |
|             |               |                           |                        |              |                 |  |  |  |  |  |              |
|             |               |                           |                        |              |                 |  |  |  |  |  |              |
|             |               |                           |                        |              |                 |  |  |  |  |  |              |
|             |               |                           |                        |              |                 |  |  |  |  |  |              |
|             |               |                           |                        |              |                 |  |  |  |  |  |              |
|             |               |                           |                        |              |                 |  |  |  |  |  |              |
|             |               |                           |                        |              |                 |  |  |  |  |  |              |
|             |               |                           |                        |              |                 |  |  |  |  |  |              |
|             |               |                           |                        |              |                 |  |  |  |  |  |              |
|             |               |                           |                        |              |                 |  |  |  |  |  |              |
|             |               |                           |                        |              |                 |  |  |  |  |  |              |
|             |               |                           |                        |              |                 |  |  |  |  |  |              |
|             |               |                           |                        |              |                 |  |  |  |  |  |              |
|             |               |                           |                        |              |                 |  |  |  |  |  |              |
|             |               |                           |                        |              |                 |  |  |  |  |  |              |

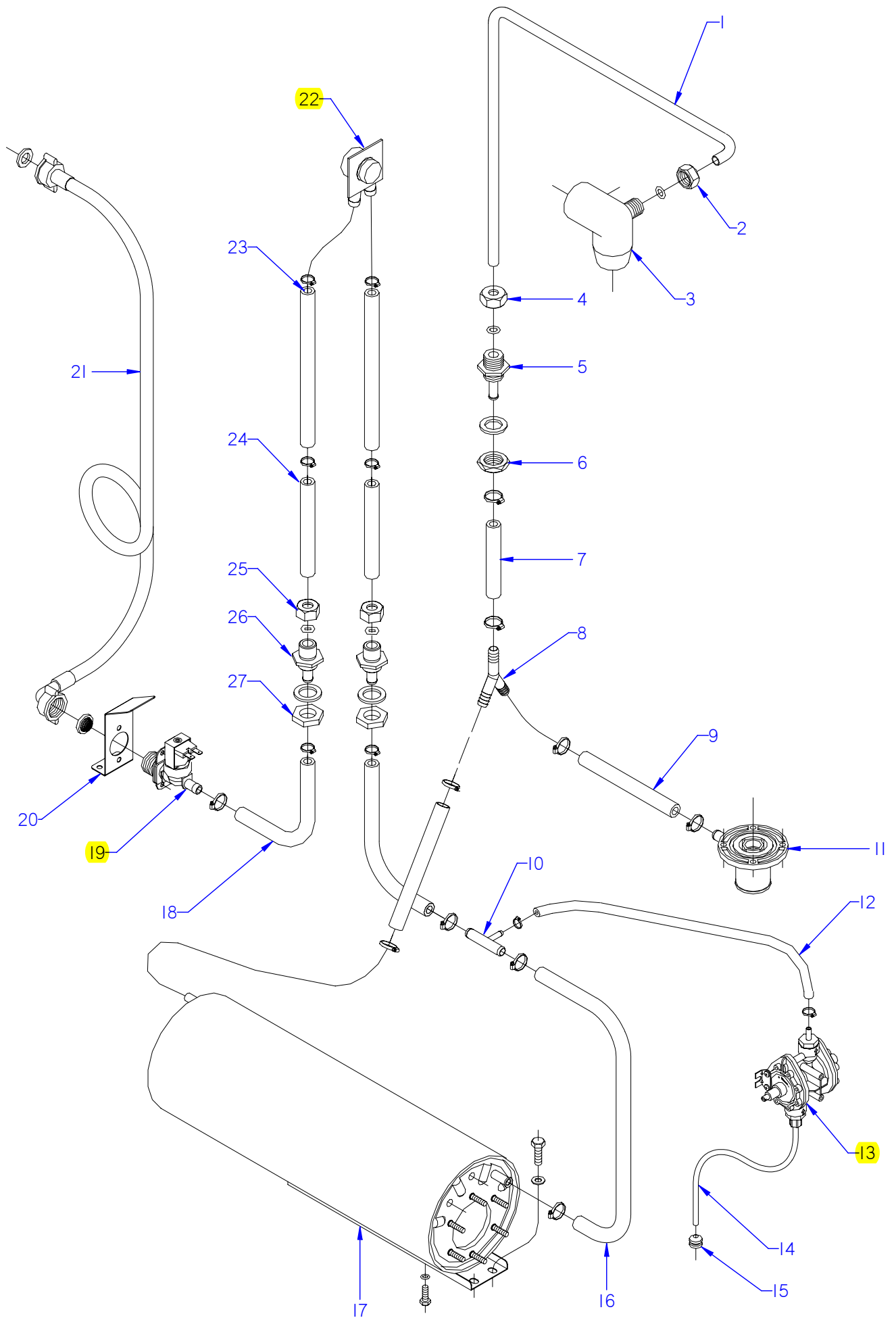


ITEM MARCADO EN COLOR = REPUESTO RECOMENDADO  
 COLOURED ITEM = RECOMMENDED SPARE PART

|         |                    |         |                                   |                         |        |                                       |
|---------|--------------------|---------|-----------------------------------|-------------------------|--------|---------------------------------------|
| N plano | Firma              | Fecha   | Aparato                           | PARTE FUNCIONAL DESAGUE | Lamina | Fagor Industrial S.Coop. <b>FAGOR</b> |
| C-2496a | <i>[Signature]</i> | 2009-12 | LAVAVAJILLAS AD-90 B A; B BT; BDD |                         | 4a     | Oñate                                 |

|      |   |             |   |                  |         |
|------|---|-------------|---|------------------|---------|
| MOD. | <b>LAVAVAJILLAS DE CAPOTA<br/>PASS THROUGH DISHWASHER</b> | ZONA / ZONE | <b>PARTE FUNCIONAL DESAGÜE<br/>DRAINAGE FUNCTIONAL PART</b> | PLANO<br>DIAGRAM | C-2496a |
|------|---|-------------|---|------------------|---------|

| ITEM | CODIGO<br>CODE | DENOMINACION                 | NAME                   | AD-90 B A | AD-90 B BT | AD-90 B DD |  |  |  |  |  | NOTAS |
|------|----------------|------------------------------|------------------------|-----------|------------|------------|--|--|--|--|--|-------|
| 1    | Z710901000     | ALIVIADERO                   | OVERFLOW               | 1         | 1          | 1          |  |  |  |  |  |       |
|      | Q307051000     | JUNTA TORICA 36.17x41.41x2.6 | O-RING 36.17x41.41x2.6 | 1         | 1          | 1          |  |  |  |  |  |       |
| 2    | Z710902000     | PASAMUROS DESAGUE            | DRAINAGE BUSHING       | 1         | 1          | 1          |  |  |  |  |  |       |
|      | Q307059000     | ARANDELA 72x56x2             | WASHER 72x56x2         | 1         | 1          | 1          |  |  |  |  |  |       |
| 3    | Q220001000     | TUERCA RANURADA              | GROOVED NUT            | 1         | 1          | 1          |  |  |  |  |  |       |
| 4    | Z711004000     | ACUMULADOR CAPOTA            | HOOD ACCUMULATOR       | 1         | 1          | 1          |  |  |  |  |  |       |
|      | Q881304000     | ABRAZADERA 20-32             | CLAMP 20-32            | 2         | 2          | 2          |  |  |  |  |  |       |
| 5    | Z220903000     | MANGUERA DESAGUE             | DRAINAGE HOSE          | 1         | 1          | 1          |  |  |  |  |  |       |
|      | Q881307000     | ABRAZADERA 40-60             | CLAMP 40-60            | 1         | 1          | 1          |  |  |  |  |  |       |
| 6    | Z711007000     | BOMBA DESAGUE                | DRAINAGE PUMP          | 1         | 1          | 1          |  |  |  |  |  |       |
|      | Q262040000     | ARANDELA GROW. A6 A.304      | WASHER GROW. A6 A.304  | 4         | 4          | 4          |  |  |  |  |  |       |
|      | Q012042000     | TORNILLO EXAGONAL M6x15      | HEXAGONAL BOLT M6x15   | 4         | 4          | 4          |  |  |  |  |  |       |
|      | Q032032000     | TORNILLO ALOMADO M5x15       | CURVED SCREW M5X15     | 2         | 2          | 2          |  |  |  |  |  |       |
|      | Q242030000     | ARANDELA ABANICO A5 A.304    | FAN WASHER A5 A.304    | 2         | 2          | 2          |  |  |  |  |  |       |
| 7    | Z711005000     | SOPORTE MOTOBOMBA            | MOTOR PUMP SUPPORT     | 1         | 1          | 1          |  |  |  |  |  |       |
| 8    | Z711006000     | PROTECCION BOMBA             | PUMP PROTECTION        | 1         | 1          | 1          |  |  |  |  |  |       |
|      |                |                              |                        |           |            |            |  |  |  |  |  |       |
|      |                |                              |                        |           |            |            |  |  |  |  |  |       |
|      |                |                              |                        |           |            |            |  |  |  |  |  |       |
|      |                |                              |                        |           |            |            |  |  |  |  |  |       |
|      |                |                              |                        |           |            |            |  |  |  |  |  |       |
|      |                |                              |                        |           |            |            |  |  |  |  |  |       |
|      |                |                              |                        |           |            |            |  |  |  |  |  |       |
|      |                |                              |                        |           |            |            |  |  |  |  |  |       |
|      |                |                              |                        |           |            |            |  |  |  |  |  |       |
|      |                |                              |                        |           |            |            |  |  |  |  |  |       |
|      |                |                              |                        |           |            |            |  |  |  |  |  |       |
|      |                |                              |                        |           |            |            |  |  |  |  |  |       |
|      |                |                              |                        |           |            |            |  |  |  |  |  |       |
|      |                |                              |                        |           |            |            |  |  |  |  |  |       |



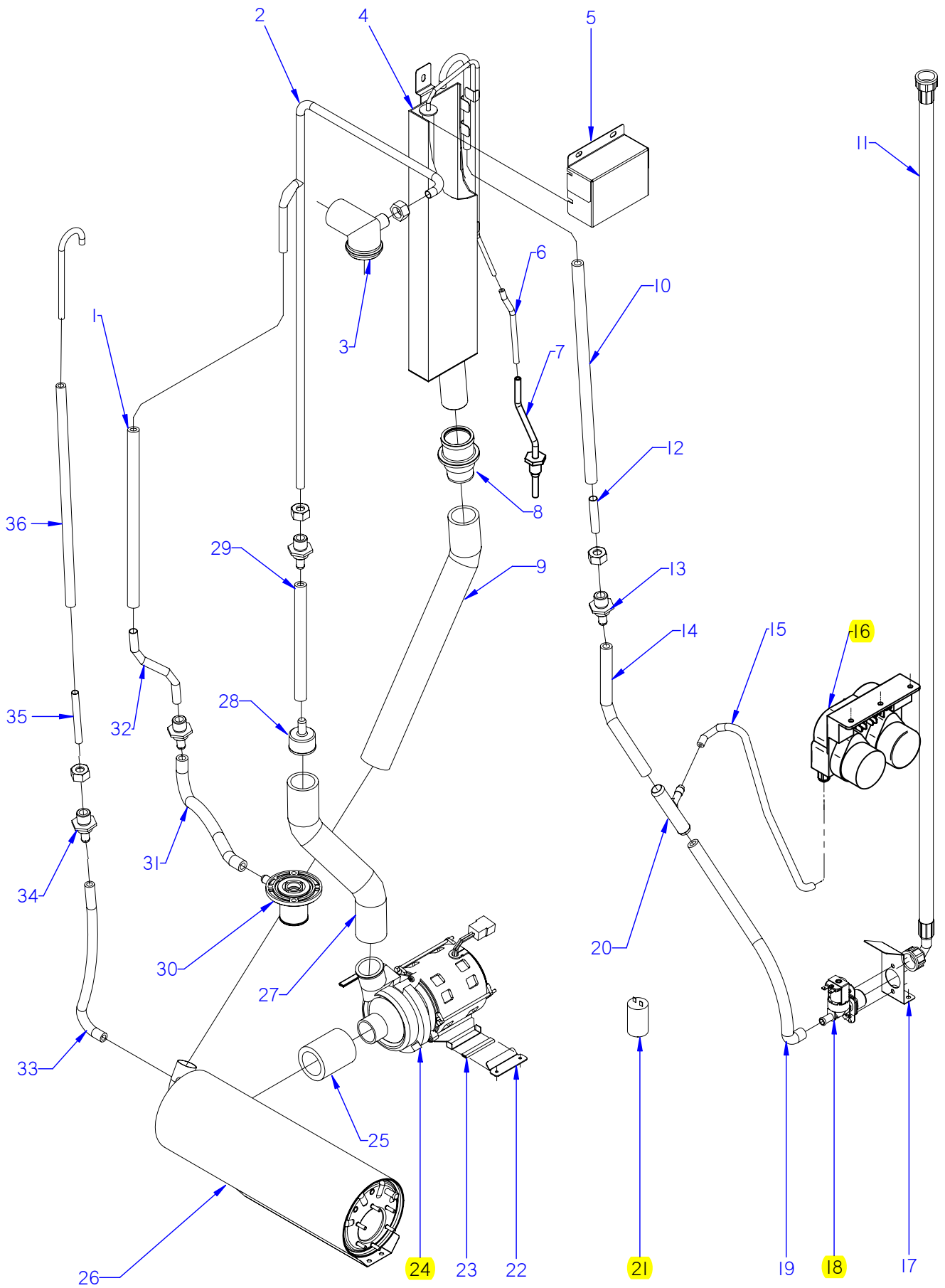
ITEM MARCADO EN COLOR = REPUESTO RECOMENDADO  
 COLOURED ITEM = RECOMMENDED SPARE PART

|         |                    |         |                                  |                             |        |                                       |
|---------|--------------------|---------|----------------------------------|-----------------------------|--------|---------------------------------------|
| N plano | Firma              | Fecha   | Aparato                          | CONJUNTO FUNCIONAL ACLARADO | Lamina | Fagor Industrial S.Coop. <b>FAGOR</b> |
| C-2497  | <i>[Signature]</i> | 2009-12 | LAVAVAJILL. AD-90; DD; B A; B DD |                             | 5      | Oñate                                 |



| MOD. |            | LAVAVAJILLAS DE CAPOTA<br>PASS THROUGH DISHWASHER |                            | ZONA  | PARTE FUNCIONAL ACLARADO<br>RINSE FUNCTIONAL PART |           |            |  | PLANO | C-2497                 |
|------|------------|---|----------------------------|-------|---|-----------|------------|--|-------|------------------------|
| ITEM | CODIGO     | DENOMINACION                                      | TEXTO                      | AD-90 | AD-90 DD  | AD-90 B A | AD-90 B DD |  |       | NOTAS                  |
| 1    | Z711903000 | CONDUCCION ACLARADO COMP.                         | COMP. RINSE PIPE           | 1     | 1   | 1         | 1          |  |       |                        |
| 2    | Q223107000 | TUERCA M.20x2.5                                   | NUT M.20X2.5               | 1     | 1   | 1         | 1          |  |       |                        |
|      | Q307048000 | JUNTA TORICA Ø9.12X16.18X3.53                     | O-RING Ø9.12X16.18X3.53    | 1     | 1   | 1         | 1          |  |       |                        |
| 3    | Z740703000 | SOPORTE DISTRIBUIDOR SUPER.                       | UPPER DISTRIBUTION SUPPORT | 1     | 1   | 1         | 1          |  |       |                        |
|      | Q152004000 | TORNILLO APLAST. M5x13 A.304                      | MUSHROOM HEAD BOLT M5x13   | 1     | 1   | 1         | 1          |  |       |                        |
|      | Q242030000 | ARANDELA ABANICO A5 A.304                         | FAN WASHER A5 A.304        | 1     | 1   | 1         | 1          |  |       |                        |
| 4    | Q223107000 | TUERCA M.20x2.5                                   | NUT M.20X2.5               | 1     | 1   | 1         | 1          |  |       |                        |
|      | Q307048000 | JUNTA TORICA Ø9.12X16.18X3.53                     | O-RING Ø9.12X16.18X3.53    | 1     | 1   | 1         | 1          |  |       |                        |
| 5    | Z711904000 | PASAMUROS ACLARADO                                | RINSE BUSHING              | 1     | 1   | 1         | 1          |  |       |                        |
|      | Q307032000 | JUNTA Ø 32X21X3                                   | SEAL Ø 32X21X3             | 1     | 1   | 1         | 1          |  |       |                        |
| 6    | Q223023000 | TUERCA EXAGONAL 5-8 LATON                         | HEX NUT 5-8 BRASS          | 1     | 1   | 1         | 1          |  |       |                        |
| 7    | 3676900000 | TUBO GOMA NEGRA Ø 17*10                           | BLACK RUBBER PIPE 17*10    | 1     | 1   | 1         | 1          |  |       |                        |
|      | Q881302000 | ABRAZADERA 12-20                                  | CLAMP 12-20                | 2     | 2   | 2         | 2          |  |       |                        |
| 8    | Z201106000 | RACORD EN Y                                       | Y-CONNECTION               | 1     | 1   | 1         | 1          |  |       |                        |
| 9    | 3676900000 | TUBO GOMA NEGRA Ø 17*10                           | BLACK RUBBER PIPE 17*10    | 2     | 2   | 2         | 2          |  |       |                        |
|      | Q881302000 | ABRAZADERA 12-20                                  | CLAMP 12-20                | 4     | 4   | 4         | 4          |  |       |                        |
| 10   | Z601157000 | TOMA PRESION                                      | PRESSURE INTAKE            | 1     | 1   | 1         | 1          |  |       |                        |
| 11   | Z710706000 | PASAMUROS   | BUSHING                    | 1     | 1   | 1         | 1          |  |       |                        |
|      | Q012044000 | TORNILLO EXAGONAL M6x25                           | HEXAGONAL BOLT M6x25       | 4     | 4   | 4         | 4          |  |       |                        |
|      | Q306050000 | ARANDELA 6x12x1.5                                 | WASHER 6x12x1.5            | 4     | 4   | 4         | 4          |  |       |                        |
|      | Q232040000 | ARANDELA A6                                       | WASHER A6                  | 4     | 4   | 4         | 4          |  |       |                        |
|      | Q162040000 | TUERCA EXAGONAL M6                                | HEXAGONAL NUT M6           | 4     | 4   | 4         | 4          |  |       |                        |
| 12   | 3704000000 | TUBO GOMA NEGRO D 10,5*5                          | BLACK RUBBER PIPE Ø 10.5*5 | 1     | 1   | 1         | 1          |  |       |                        |
|      | Q881308000 | ABRAZADERA 8-14L                                  | CLAMP 8-14L                | 2     | 2   | 2         | 2          |  |       |                        |
| 13   | Z211109000 | DOSIFICADOR TENSOACTIVO N-6                       | SURFACE ACT. DISP. N-6     | 1     | 1   | 1         | 1          |  |       | ELIMINADO 18.06.2012   |
| 13   | 12045206   | DOSIFICADOR_ABRILLANTADOR_A                       | RINSE AID DISPENSER        | 1     | 1   | 1         | 1          |  |       | INTRODUCIDO 18.06.2012 |
|      | Q232030000 | ARANDELA A5                                       | WASHER A5                  | 2     | 2   | 2         | 2          |  |       |                        |
|      | Q012031000 | TORNIL. EXAGONAL M5x10 A.304                      | HEXAGONAL BOLT M5X10 A.304 | 4     | 4   | 4         | 4          |  |       |                        |
|      | Q163020000 | TUERCA EXAGONAL M4 LATON                          | HEXAGONAL NUT M4 BRASS     | 2     | 2   | 2         | 2          |  |       |                        |
| 14   | Z448618000 | CONDUCTO ABRILLANTADOR                            | RINSE AID PIPE             | 1     | 1   | 1         | 1          |  |       |                        |
| 15   | Z701152000 | PESO FILTRO                                       | FILTER WEIGHT              | 1     | 1   | 1         | 1          |  |       |                        |

| MOD. |            | LAVAVAJILLAS DE CAPOTA<br>PASS THROUGH DISHWASHER |                             | ZONA  | PARTE FUNCIONAL ACLARADO<br>RINSE FUNCTIONAL PART |           |            |  | PLANO | C-2497               |
|------|------------|---|-----------------------------|-------|---|-----------|------------|--|-------|----------------------|
| ITEM | CODIGO     | DENOMINACION                                      | TEXTO                       | AD-90 | AD-90 DD  | AD-90 B A | AD-90 B DD |  |       | NOTAS                |
| 16   | 3676900000 | TUBO GOMA NEGRA Ø 17*10                           | BLACK RUBBER PIPE 17*10     | 1     | 1   | 1         | 1          |  |       |                      |
|      | Q881302000 | ABRAZADERA 12-20                                  | CLAMP 12-20                 | 2     | 2   | 2         | 2          |  |       |                      |
| 17   | 12022943   | CALDERIN COMPLETO                                 | COMPLETE DRUM               | 1     | 1   | 1         | 1          |  |       |                      |
|      | Q012031000 | TORNIL. EXAGONAL M5x10 A.304                      | HEXAGONAL BOLT M5X10 A.304  | 2     | 2   | 2         | 2          |  |       |                      |
|      | Q232030000 | ARANDELA A5                                       | WASHER A5                   | 2     | 2   | 2         | 2          |  |       |                      |
|      | Q012063000 | TORNIL. EXAGONAL M10x20 A.304                     | HEXAGONAL BOLT M10X20 A.304 | 1     | 1   | 1         | 1          |  |       |                      |
|      | Q307048000 | JUNTA TORICA Ø9.12X16.18X3.53                     | O-RING Ø9.12X16.18X3.53     | 1     | 1   | 1         | 1          |  |       |                      |
| 18   | 3676900000 | TUBO GOMA NEGRA Ø 17*10                           | BLACK RUBBER PIPE 17*10     | 2     | 2   | 2         | 2          |  |       |                      |
|      | Q881302000 | ABRAZADERA 12-20                                  | CLAMP 12-20                 | 4     | 4   | 4         | 4          |  |       |                      |
| 19   | Z701135000 | ELECTR. SIMP.220V COD.255.208                     | SOLENOID VALVE SIMP.220V CO | 1     | 1   | 1         | 1          |  |       |                      |
| 20   | Z201101000 | ESCUADRA AMARRE ELECTROVA                         | SOLENOID VALVE BRACKET      | 1     | 1   | 1         | 1          |  |       |                      |
|      | Q152024000 | TORN. AVELLANADO M4x8 A.304                       | HEXAGONAL COUNTERSUNK M4    | 2     | 2   | 2         | 2          |  |       |                      |
|      | Q242020000 | ARANDELA ABANICO A4 A.304                         | FAN WASHER A4 A.304         | 2     | 2   | 2         | 2          |  |       |                      |
|      | Q012031000 | TORNIL. EXAGONAL M5x10 A.304                      | HEXAGONAL BOLT M5X10 A.304  | 2     | 2   | 2         | 2          |  |       |                      |
|      | Q232030000 | ARANDELA A5                                       | WASHER A5                   | 2     | 2   | 2         | 2          |  |       |                      |
| 21   | Z602121000 | MANGUERA ENTRADA AGUA                             | WATER INTAKE HOSE           | 1     | 1   | 1         | 1          |  |       |                      |
| 22   | Z231106000 | VALVULA ANTIRRETORNO                              | NON-RETURN VALVE            | 1     | 1   | 1         | 1          |  |       |                      |
|      | Q881302000 | ABRAZADERA 12/20                                  | CLAMP 12/20                 | 2     | 2   | 2         | 2          |  |       |                      |
| S/Nº | Z711113000 | SOPORTE VALVULA A.R.                              | VALVE SUPPORT A.R.          | 1     | 1   | 1         | 1          |  |       |                      |
| 23   | 3676900000 | TUBO GOMA NEGRA Ø 17*10                           | BLACK RUBBER PIPE 17*10     | 2     | 2   | 2         | 2          |  |       |                      |
|      | 12041731   | ABRAZADERA INOX 12-22                             | CLAMP INOX 12-22            | 4     | 4   | 4         | 4          |  |       | INTRODUCIDO 01.12.11 |
| 24   | Z711114000 | TUBO EMPALME                                      | CONNECTION PIPE             | 2     | 2   | 2         | 2          |  |       |                      |
| 25   | Q223107000 | TUERCA M.20x2.5                                   | NUT M.20X2.5                | 2     | 2   | 2         | 2          |  |       |                      |
|      | Q307048000 | JUNTA TORICA Ø9.12X16.18X3.53                     | O-RING Ø9.12X16.18X3.53     | 2     | 2   | 2         | 2          |  |       |                      |
| 26   | Z711904000 | PASAMUROS ACLARADO                                | RINSE BUSHING               | 2     | 2   | 2         | 2          |  |       |                      |
|      | Q307032000 | JUNTA Ø 32X21X3                                   | SEAL Ø 32X21X3              | 2     | 2   | 2         | 2          |  |       |                      |
| 27   | Q223023000 | TUERCA EXAGONAL 5-8 LATON                         | HEX NUT 5-8 BRASS           | 2     | 2   | 2         | 2          |  |       |                      |
|      |            |   |                             |       |   |           |            |  |       |                      |
|      |            |   |                             |       |   |           |            |  |       |                      |
|      |            |   |                             |       |   |           |            |  |       |                      |
|      |            |   |                             |       |   |           |            |  |       |                      |



ITEM MARCADO EN COLOR = REPUESTO RECOMENDADO  
 COLOURED ITEM = RECOMMENDED SPARE PART

|         |                    |         |                         |                             |        |                                       |
|---------|--------------------|---------|-------------------------|-----------------------------|--------|---------------------------------------|
| N plano | Firma              | Fecha   | Aparato                 | CONJUNTO FUNCIONAL ACLARADO | Lamina | Fagor Industrial S.Coop. <b>FAGOR</b> |
| C-2497a | <i>[Signature]</i> | 2011-06 | LAVAVAJILLAS AD-90 B BT |                             | 5a     | Oñate                                 |

| MOD. |                | LAVAVAJILLAS DE CAPOTA<br>PASS THROUGH DISHWASHER |                            | ZONA / ZONE | PARTE FUNCIONAL ACLARADO<br>RINSE FUNCTIONAL PART |  |  |  |  | PLANO<br>DIAGRAM | C-2497a |
|------|----------------|---|----------------------------|-------------|---|--|--|--|--|------------------|---------|
| ITEM | CODIGO<br>CODE | DENOMINACION                                      | NAME                       | AD-90 B BT  |   |  |  |  |  |                  | NOTAS   |
| 1    | 3676900000     | TUBO GOMA NEGRA Ø 17*10                           | BLACK RUBBER PIPE 17*10    | 1           |   |  |  |  |  |                  |         |
|      | Q881302000     | ABRAZADERA 12-20                                  | CLAMP 12-20                | 2           |   |  |  |  |  |                  |         |
| 2    | Z718911000     | RAMA DE ACLARADO CLINIC                           | RINSE BRANCH               | 1           |   |  |  |  |  |                  |         |
| 3    | Z740703000     | SOPORTE DISTRIBUIDOR SUPER.                       | UPPER DISTRIBUTION SUPPORT | 1           |   |  |  |  |  |                  |         |
| 4    | Z727412000     | DEPOSITO CLINIC COMPLETO                          | CLINIC FULL TANK           | 1           |   |  |  |  |  |                  |         |
| 5    | Z727413000     | TAPA DEPOSITO CLINIC                              | CLINIC TANK TOP            | 1           |   |  |  |  |  |                  |         |
|      | Q262040000     | ARANDELA GROW. A6 A.304                           | WASHER GROW. A6 A.304      | 3           |   |  |  |  |  |                  |         |
|      | Q162040000     | TUERCA EXAGONAL M6                                | HEXAGONAL NUT M6           | 3           |   |  |  |  |  |                  |         |
| 6    | 3702400000     | TUBO DE GOMA Ø 8*4 x140                           | RUBBER PIPE Ø 8*4 x140     | 1           |   |  |  |  |  |                  |         |
|      | P102154000     | BRIDA ELASTICA TUBO                               | ELASTIC PIPE FLANGE        | 2           |   |  |  |  |  |                  |         |
| 7    | Z727407000     | PASAMUROS PRES. CLINIC                            | CLINIC BUSHING             | 1           |   |  |  |  |  |                  |         |
|      | Q306024000     | JUNTA 18x12.5x1.5                                 | SEAL 18x12.5x1.5           | 1           |   |  |  |  |  |                  |         |
| 8    | Z330790000     | PASAMUROS IMPULSION PRELAV.                       | PREWASH IMPULSE BUSHING    | 1           |   |  |  |  |  |                  |         |
|      | Z710708000     | TUERCA PASAMUROS                                  | BUSHING NUT                | 1           |   |  |  |  |  |                  |         |
|      | Q307058000     | ARANDELA 60x44x2                                  | WASHER 60x44x2             | 1           |   |  |  |  |  |                  |         |
|      | Q307065000     | JUNTA TORICA 43,01x37,77x2,62                     | O-RING 43,01x37,77x2,62    | 1           |   |  |  |  |  |                  |         |
|      | Q881307000     | ABRAZADERA 40*60                                  | CLAMP 40*60                | 1           |   |  |  |  |  |                  |         |
| 9    | Z718925000     | CONDUCTO DEPOSITO-CALDERIN                        | PIPE-COPPER DEPOSIT        | 1           |   |  |  |  |  |                  |         |
|      | Q881307000     | ABRAZADERA 40*60                                  | CLAMP 40*60                | 2           |   |  |  |  |  |                  |         |
| 10   | 3676900000     | TUBO GOMA NEGRA Ø 17*10                           | BLACK RUBBER PIPE 17*10    | 1           |   |  |  |  |  |                  |         |
|      | Q881302000     | ABRAZADERA 12*20                                  | CLAMP 12-20                | 2           |   |  |  |  |  |                  |         |
| 11   | Z602121000     | MANGUERA ENTRADA DE AGUA                          | WATER INTAKE HOSE          | 1           |   |  |  |  |  |                  |         |
| 12   | Z718910000     | TUBO ENTRADA AGUA                                 | WATER INTAKE PIPE          | 1           |   |  |  |  |  |                  |         |
|      | Q307048000     | JUNTA TORICA 9.12x16.18x3.53                      | O-RING Ø9.12X16.18X3.53    | 4           |   |  |  |  |  |                  |         |
| 13   | Z711904000     | PASAMUROS ACLARADO                                | RINSE BUSHING              | 2           |   |  |  |  |  |                  |         |
|      | Q307032000     | JUNTA 32x21x3                                     | SEAL Ø 32X21X3             | 2           |   |  |  |  |  |                  |         |
|      | Q223023000     | TUERCA EXAGONAL 5-8 LATON                         | HEX NUT 5-8 BRASS          | 2           |   |  |  |  |  |                  |         |
| 14   | 3676900000     | TUBO GOMA NEGRA Ø 17*10                           | BLACK RUBBER PIPE 17*10    | 1           |   |  |  |  |  |                  |         |
|      | Q881302000     | ABRAZADERA 12*20                                  | CLAMP 12-20                | 4           |   |  |  |  |  |                  |         |
| 15   | 3704000000     | TUBO GOMA NEGRA Ø10,5*5                           | BLACK RUBBER PIPE Ø10,5*5  | 1           |   |  |  |  |  |                  |         |
|      | Q881308000     | ABRAZADERA 8-14L                                  | CLAMP 8-14L                | 2           |   |  |  |  |  |                  |         |

| MOD. |                | LAVAVAJILLAS DE CAPOTA<br>PASS THROUGH DISHWASHER |                             | ZONA / ZONE | PARTE FUNCIONAL ACLARADO<br>RINSE FUNCTIONAL PART |  |  |  | PLANO<br>DIAGRAM     | C-2497a |
|------|----------------|---|-----------------------------|-------------|---|--|--|--|----------------------|---------|
| ITEM | CODIGO<br>CODE | DENOMINACION                                      | NAME                        | AD-90 B BT  |   |  |  |  | NOTAS                |         |
| 16   | Z208915000     | DOSIFICADOR DGTE ABRILLANT.                       | DETERGENT DISPENSER RINS.   | 1           |   |  |  |  |                      |         |
| 17   | Z201101000     | ESCUADRA AMARRE ELECTROVA                         | SOLENOID VALVE BRACKET      | 1           |   |  |  |  |                      |         |
|      | Q152024000     | TORNILLO AVELLAN. M4x8 A304                       | HEXAGONAL COUNTERSUNK M4    | 2           |   |  |  |  |                      |         |
|      | Q242020000     | ARANDELA ABANICO A.4 A304                         | FAN WASHER A4 A.304         | 2           |   |  |  |  |                      |         |
|      | Q012031000     | TORNILLO EXAGONAL. M5x10 A304                     | HEXAGONAL BOLT M5X10 A.304  | 2           |   |  |  |  |                      |         |
|      | Q232030000     | ARANDELA A5                                       | WASHER A5                   | 2           |   |  |  |  |                      |         |
| 18   | Z701135000     | E.V. SIMPLE 0V COD. 255.208                       | SOLENOID VALVE SIMP.220V CO | 1           |   |  |  |  |                      |         |
|      | Z841107000     | REGUL.ENTRADA 10L 254.067                         | REGULATOR 10L 254.067       | 1           |   |  |  |  | ELIMINADO 01.05.12   |         |
|      | 12044690       | REGULADOR DE CAUDAL 10L                           | FLOW REGULATOR 10L          | 1           |   |  |  |  | INTRODUCIDO 01.05.12 |         |
| 19   | 3676900000     | TUBO GOMA NEGRA 17*10                             | BLACK RUBBER PIPE 17*10     | 1           |   |  |  |  |                      |         |
|      | Q881302000     | ABRAZADERA 12*20                                  | CLAMP 12-20                 | 4           |   |  |  |  |                      |         |
| 20   | Z718949000     | TE TOMA PRESION                                   | PRESSURE INTAKE T           | 1           |   |  |  |  |                      |         |
| 21   | V817100000     | CONDENSADOR 6 M,F,                                | CONDENSER 6 M,F,            | 1           |   |  |  |  |                      |         |
| 22   | Z718931000     | SOPORTE MOTOBOMBA CLINIC                          | CLINIC MOTOR PUMP SUPP.     | 1           |   |  |  |  |                      |         |
|      | Q152024000     | TORNILLO AVELLAN. M4x8 A304                       | HEXAGONAL COUNTERSUNK M4    | 2           |   |  |  |  |                      |         |
| 23   | 3701700000     | PERFIL GOMA NEGRO EN U 9*4                        | BLACK RUBBER PROFILE IN U 9 | 2           |   |  |  |  |                      |         |
| 24   | Z401001000     | BOMBA LAVADO                                      | WASH PUMP                   | 1           |   |  |  |  |                      |         |
| 25   | Z162301000     | CONDUCTO ASPIRAC. IMPULSION                       | EXTRACTOR PIPE              | 1           |   |  |  |  |                      |         |
|      | Q881307000     | ABRAZADERA 40*60                                  | CLAMP 40*60                 | 2           |   |  |  |  |                      |         |
| 26   | Z258916000     | CALDERIN COMPLETO BBT.                            | COMPLETE DRUM               | 1           |   |  |  |  |                      |         |
| 27   | Z718935000     | CONDUCTO IMPULSION CLINIC                         | DRIVE THROUGH CLINIC        | 1           |   |  |  |  |                      |         |
|      | Q881307000     | ABRAZADERA 40*60                                  | CLAMP 40*60                 | 2           |   |  |  |  |                      |         |
| 28   | Z701104000     | REDUCCION   | REDUCTION                   | 1           |   |  |  |  |                      |         |
| 29   | 3676900000     | TUBO GOMA NEGRA 17*10                             | BLACK RUBBER PIPE 17*10     | 2           |   |  |  |  |                      |         |
|      | Q881302000     | ABRAZADERA 12*20                                  | CLAMP 12-20                 | 4           |   |  |  |  |                      |         |
| 30   | Z710706000     | PASAMUROS   | BUSHING                     | 1           |   |  |  |  |                      |         |
| 31   | 3676900000     | TUBO GOMA NEGRA 17*10                             | BLACK RUBBER PIPE 17*10     | 1           |   |  |  |  |                      |         |
|      | Q881302000     | ABRAZADERA 12*20                                  | CLAMP 12-20                 | 2           |   |  |  |  |                      |         |
| 32   | Z718927000     | TUBO PAS. ACLARADO CLINIC                         | CLINIC RINSE PIPE           | 1           |   |  |  |  |                      |         |
| 33   | 3676900000     | TUBO GOMA NEGRA 17*10                             | BLACK RUBBER PIPE 17*10     | 1           |   |  |  |  |                      |         |
|      | Q881302000     | ABRAZADERA 12*20                                  | CLAMP 12-20                 | 2           |   |  |  |  |                      |         |

|             |   |                    |   |                                |                |
|-------------|---|--------------------|---|--------------------------------|----------------|
| <b>MOD.</b> | <b>LAVAVAJILLAS DE CAPOTA</b><br><b>PASS THROUGH DISHWASHER</b> | <b>ZONA / ZONE</b> | <b>PARTE FUNCIONAL ACLARADO</b><br><b>RINSE FUNCTIONAL PART</b> | <b>PLANO</b><br><b>DIAGRAM</b> | <b>C-2497a</b> |
|-------------|---|--------------------|---|--------------------------------|----------------|

| ITEM | CODIGO<br>CODE | DENOMINACION                 | NAME                    | AD-90 B BT |  |  |  |  |  |  |  | NOTAS |
|------|----------------|------------------------------|-------------------------|------------|--|--|--|--|--|--|--|-------|
| 34   | Z718951000     | PASAMUROS ACLARADO CLINIC    | CLINIC RINSE BUSHING    | 1          |  |  |  |  |  |  |  |       |
|      | Q223107000     | TUERCA M.20x2.5              | NUT M.20X2.5            | 1          |  |  |  |  |  |  |  |       |
| 35   | Z718928000     | TUBO PASAM. CALDER. CLINIC   | CLINIC RINSE PIPE       | 1          |  |  |  |  |  |  |  |       |
|      | Q307048000     | JUNTA TORICA 9.12x16.18x3.53 | O-RING Ø9.12X16.18X3.53 | 1          |  |  |  |  |  |  |  |       |
| 36   | 3676900000     | TUBO GOMA NEGRA 17*10        | BLACK RUBBER PIPE 17*10 | 1          |  |  |  |  |  |  |  |       |
|      | Q881302000     | ABRAZADERA 12*20             | CLAMP 12-20             | 2          |  |  |  |  |  |  |  |       |
|      |                |                              |                         |            |  |  |  |  |  |  |  |       |
|      |                |                              |                         |            |  |  |  |  |  |  |  |       |
|      |                |                              |                         |            |  |  |  |  |  |  |  |       |
|      |                |                              |                         |            |  |  |  |  |  |  |  |       |
|      |                |                              |                         |            |  |  |  |  |  |  |  |       |
|      |                |                              |                         |            |  |  |  |  |  |  |  |       |
|      |                |                              |                         |            |  |  |  |  |  |  |  |       |
|      |                |                              |                         |            |  |  |  |  |  |  |  |       |
|      |                |                              |                         |            |  |  |  |  |  |  |  |       |
|      |                |                              |                         |            |  |  |  |  |  |  |  |       |
|      |                |                              |                         |            |  |  |  |  |  |  |  |       |
|      |                |                              |                         |            |  |  |  |  |  |  |  |       |
|      |                |                              |                         |            |  |  |  |  |  |  |  |       |
|      |                |                              |                         |            |  |  |  |  |  |  |  |       |
|      |                |                              |                         |            |  |  |  |  |  |  |  |       |
|      |                |                              |                         |            |  |  |  |  |  |  |  |       |
|      |                |                              |                         |            |  |  |  |  |  |  |  |       |
|      |                |                              |                         |            |  |  |  |  |  |  |  |       |

N plano  
C-2498

Firma  
*(Firma)*

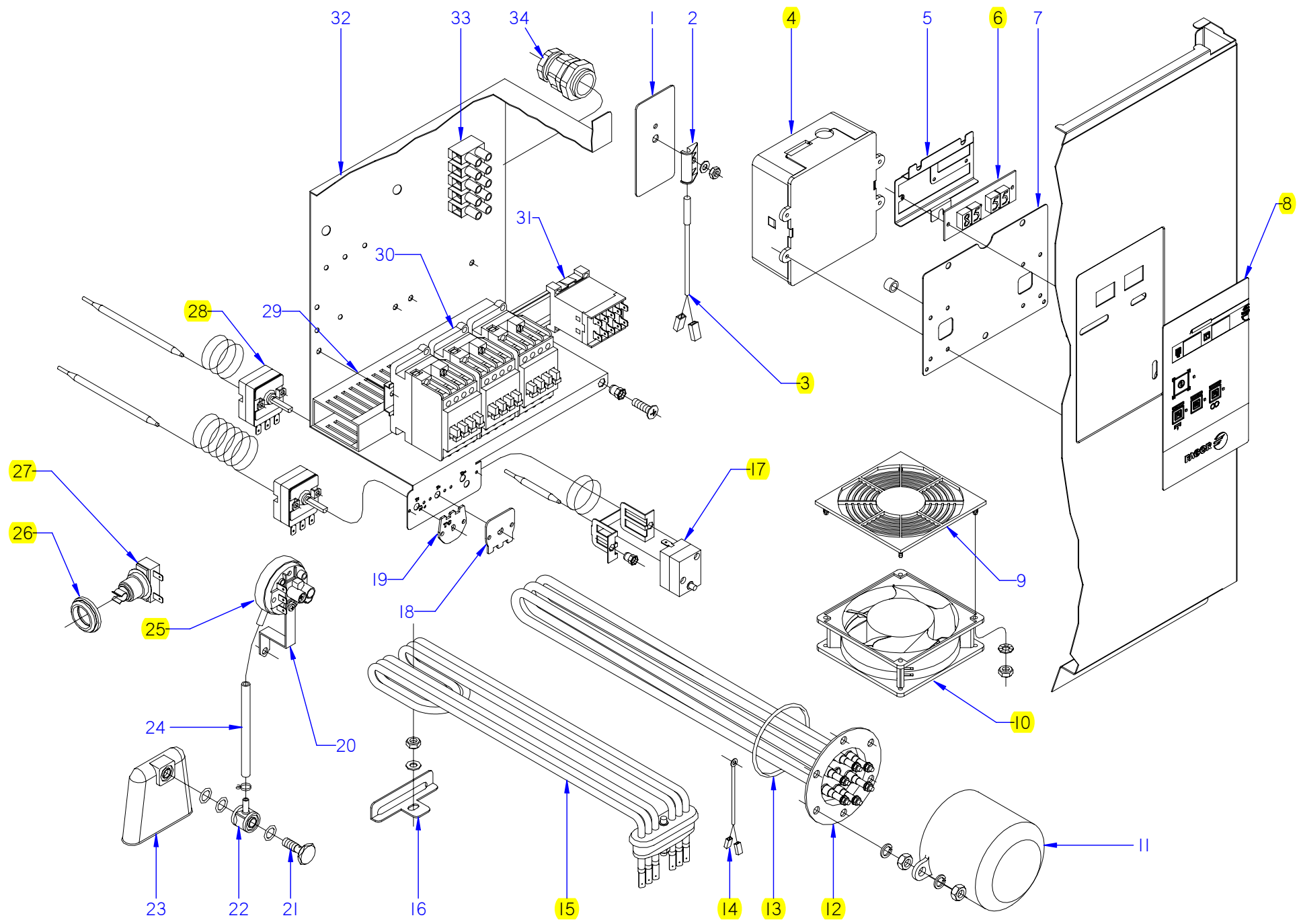
Fecha  
2009-12

Aparato  
LAVAVAJILLAS AD-90 / AD-90 DD

Lamina  
6

Fagor Industrial S. Coop. **FAGOR**  
Omate

CONJUNTO FUNCIONAL ELECTRICO  
ITEM MARCADO EN COLOR = REPUESTO RECOMENDADO  
COLOURED ITEM = RECOMMENDED SPARE PART



| MOD. |            | LAVAVAJILLAS DE CAPOTA<br>PASS THROUGH DISHWASHER |                             | ZONA  | PARTE FUNCIONAL ELECTRICA<br>ELECTRICS FUNCTIONAL PART |  |  |  | PLANO                  | C-2498 |
|------|------------|---|-----------------------------|-------|--|--|--|--|------------------------|--------|
| ITEM | CODIGO     | DENOMINACION                                      | TEXTO                       | AD-90 | AD-90 DD   |  |  |  | NOTAS                  |        |
| 1    | Z101211000 | APOYO INTERRUPTOR                                 | SWITCH SUPPORT              | 1     | 1  |  |  |  |                        |        |
| 2    | Z203010000 | AMARRE INTERRUPTOR MAGNET.                        | MAGNETIC SWITCH FASTENER    | 1     | 1  |  |  |  |                        |        |
|      | Q232040000 | ARANDELA A-6                                      | WASHER A-6                  | 1     | 1  |  |  |  |                        |        |
|      | Q162040000 | TUERCA EXAGONAL M-6                               | HEXAGONAL NUT M-6           | 1     | 1  |  |  |  |                        |        |
| 3    | Z203009000 | INTERRUPTOR MAGNETICO                             | MAGNETIC SWITCH             | 1     | 1  |  |  |  |                        |        |
| 4    | Z213069000 | TARJETA 5 RELES                                   | 5 RELAY CARD                | 1     | 1  |  |  |  | ELIMINADO 01.06.11     |        |
| 4    | Z213073000 | TARJETA 5 RELES                                   | 5 RELAY CARD                | 1     | 1  |  |  |  | INTRODUCIDO 01.06.11   |        |
|      | Q232020000 | ARANDELA A4                                       | WASHER A4                   | 4     | 4  |  |  |  |                        |        |
|      | Q242020000 | ARANDELA ABANICO A5 A.304                         | FAN WASHER A5 A.304         | 4     | 4  |  |  |  |                        |        |
|      | Q042022000 | TORN. AVELLANADO M4X15                            | HEXAGONAL COUNTERSUNK M4    | 4     | 4  |  |  |  |                        |        |
|      | Z515045000 | CASQUILLO SEPARADOR B                             | SEPARATOR BUSHING B         | 4     | 4  |  |  |  |                        |        |
| 5    | Z713023000 | SOPORTE DISPLAY CAPOTA                            | HOOD DISPLAY SUPPORT        | 1     | 1  |  |  |  |                        |        |
|      | R663036000 | FIJACION CIRCUITO                                 | CIRCUIT ATTACHMENT          | 3     | 3  |  |  |  | ELIMINADO 29.10.10     |        |
|      | T133007000 | DISTANCIADOR M3                                   | SPACER M3                   | 3     | 3  |  |  |  | INTRODUCIDO 29.10.10   |        |
| 6    | Z713017000 | DISPLAY GICAR TEMPERATURAS                        | GICAR TEMPERATURE DISPLAY   | 1     | 1  |  |  |  |                        |        |
| 7    | Z713027000 | SOPORTE PROGRAMADOR RELÉ                          | RELAY PROGRAMMER SUPPORT    | 1     | 1  |  |  |  |                        |        |
|      | Q162030000 | TUERCA EXAGONAL M5                                | HEXAGONAL NUT M5            | 2     | 2  |  |  |  |                        |        |
|      | Q262030000 | ARANDELA GROW. A5 A.304                           | WASHER GROW. A5 A.304       | 2     | 2  |  |  |  |                        |        |
| 8    | Z742916000 | EMBELLECEDOR ADHESIVO AD-90                       | ADHESIVE TRIM AD-90         | 1     | 1  |  |  |  | ELIMINADO 18.02.2013   |        |
| 8    | 12023441   | EMBELLECEDOR ADHESIVO AD-120                      | ADHESIVE TRIM AD-120        | 1     | 1  |  |  |  | INTRODUCIDO 18.02.2013 |        |
|      | Q152004000 | TORNILL, APLASTADO M5x13 A304                     | FLAT HEADED BOLT M5x13 A304 | 2     | 2  |  |  |  |                        |        |
| 9    | Z713015000 | PROTECCION VENTILADOR ABS                         | FAN PROTECTION ABS          | 1     | 1  |  |  |  |                        |        |
|      | Q042022000 | TORNILLO AVELLANADO M4x15                         | COUNTERSUNK BOLT M4x15      | 8     | 8  |  |  |  |                        |        |
|      | Q162020000 | TUERCA EXAGONAL M4                                | HEXAGONAL NUT M4            | 12    | 12   |  |  |  |                        |        |
|      | Q242020000 | ARANDELA ABANICO A-4 A304                         | FAN WASHER A-4 A304         | 8     | 8  |  |  |  |                        |        |
| 10   | Z103066000 | VENTILADOR 230V,50/60 HZ                          | FAN 230V,50/60 HZ           | 1     | 1  |  |  |  |                        |        |
| 11   | Z651731000 | CAPERUZA RESISTEN. CALDERIN                       | DRUM RESIST. CAP            | 1     | 1  |  |  |  |                        |        |
|      | Q163140000 | TUERCA EXAGONAL M6 LATON                          | HEXAGONAL NUT M6 BRASS      | 2     | 2  |  |  |  |                        |        |
|      | Q012031000 | TORNIL. EXAGONAL M5x10 A.304                      | HEXAGONAL BOLT M5X10 A.304  | 2     | 2  |  |  |  |                        |        |
|      | Q232030000 | ARANDELA A-5                                      | WASHER A-5                  | 2     | 2  |  |  |  |                        |        |

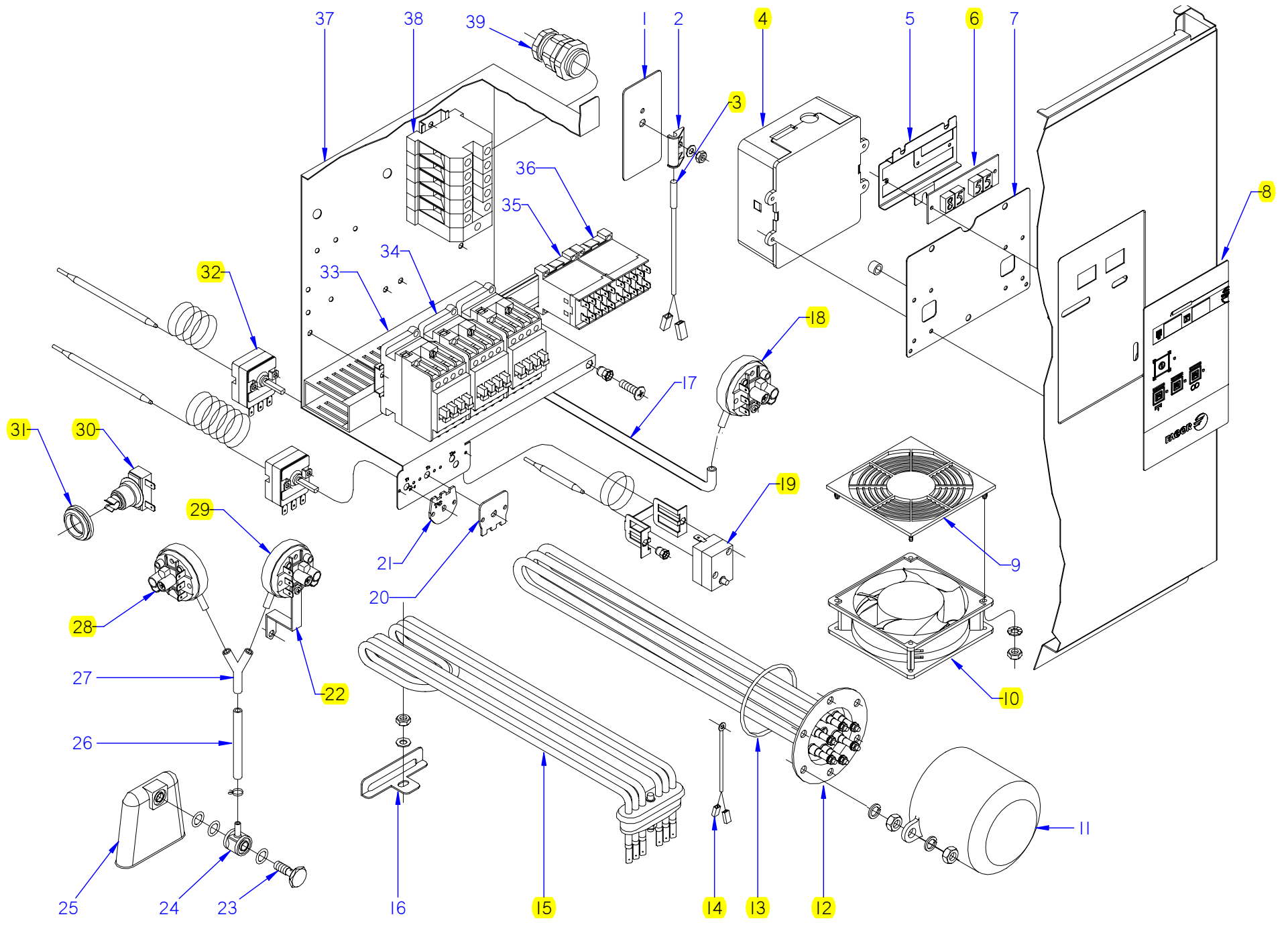


| MOD. |            | LAVAVAJILLAS DE CAPOTA<br>PASS THROUGH DISHWASHER |                              | ZONA  | PARTE FUNCIONAL ELECTRICA<br>ELECTRICS FUNCTIONAL PART |  |  |  | PLANO | C-2498                 |
|------|------------|---|------------------------------|-------|--|--|--|--|-------|------------------------|
| ITEM | CODIGO     | DENOMINACION                                      | TEXTO                        | AD-90 | AD-90 DD   |  |  |  |       | NOTAS                  |
| 12   | Z241701000 | RESISTENCIA CALDERIN                              | DRUM RESISTOR                | 1     | 1  |  |  |  |       |                        |
|      | Q221305000 | TUERCA EX. AUTO. M4 ZINCADA                       | HEX NUT , AUTO. M4 ZINC-COAT | 6     | 6  |  |  |  |       |                        |
|      | Q163140000 | TUERCA EXAGONAL M6 LATON                          | HEXAGONAL NUT M6 BRASS       | 6     | 6  |  |  |  |       |                        |
|      | Q262040000 | ARANDELA GROW. A6 A,304                           | WASHER GROW. A6 A.304        | 6     | 6  |  |  |  |       |                        |
| 13   | Q307035000 | JUNTA TORICA AN-36 282333                         | O-RING AN-36 282333          | 1     | 1  |  |  |  |       |                        |
| 14   | Z713028000 | SONDAS TEMPERATURA GICAR                          | GICAR TEMPERATURE GAUGE      | 1     | 1  |  |  |  |       |                        |
| 15   | Z743601000 | RESISTENCIA TANQUE                                | TANK RESISTOR                | 1     | 1  |  |  |  |       |                        |
| 16   | Z743602000 | SOPORTE RESISTENCIA TANQUE                        | TANK RESISTOR SUPPORT        | 1     | 1  |  |  |  |       |                        |
|      | Q232040000 | ARANDELA A,6                                      | WASHER A,6                   | 1     | 1  |  |  |  |       |                        |
|      | Q162040000 | TUERCA EXAGONAL M6                                | HEXAGONAL NUT M6             | 1     | 1  |  |  |  |       |                        |
| 17   | Z213014000 | LIMITADOR TECASA P.                               | LIMITER TECASA P.            | 1     | 1  |  |  |  |       |                        |
| S/Nº | Z203060000 | AMARRE LIMITADOR TECASA                           | LIMITER FASTENING TECASA     | 1     | 1  |  |  |  |       |                        |
|      | Q221341000 | REMACHE EXAGONAL M4                               | HEXAGONAL RIVET M4           | 2     | 2  |  |  |  |       |                        |
|      | Q152024000 | TORNILLO AVELLANADO M4x8                          | COUNTERSUNK BOLT M4x8        | 2     | 2  |  |  |  |       |                        |
| 18   | Z713038000 | REGU. TERMOS. TANQUE 60 °C                        | TANK THERMOSTAT CONTROL 60   | 1     | 1  |  |  |  |       | ELIMINADO 30.11.2012   |
| 18   | 12044848   | REGULADOR A 60°C Tc DE 85°C                       | REGULATOR 60°C Tc DE 85°C    | 1     | 1  |  |  |  |       | INTRODUCIDO 30.11.2012 |
| 19   | Z718446000 | CHAPA W 85°C                                      | PLATE W 85°C                 | 1     | 1  |  |  |  |       | ELIMINADO 31.10.2012   |
| 20   | Z602923000 | SOPORTE PRESOSTATO                                | PRESSURE SWITCH SUPPORT      | 1     | 1  |  |  |  |       |                        |
|      | Q082032000 | TORNILLO ALOMADO BZ-3,5x9,5                       | CURVED SCREW BZ-3.5x9.5      | 1     | 1  |  |  |  |       |                        |
|      | Q162040000 | TUERCA EXAGONAL M6                                | HEXAGONAL NUT M6             | 1     | 1  |  |  |  |       |                        |
| 21   | Z203013000 | TORNILLO PRESOSTATO                               | PRESSURE SWITCH BOLT         | 1     | 1  |  |  |  |       |                        |
| 22   | Z203012000 | EMPALME PRESOSTATO                                | PRESSURE SWITCH CONNEX       | 1     | 1  |  |  |  |       |                        |
|      | Q307003000 | JUNTA TOR.16,01x10,77x2,62                        | O-RING 16.01x10.77x2.62      | 3     | 3  |  |  |  |       |                        |
| 23   | Z203011000 | CAMARA PRESOSTATO                                 | PRESSURE SWITCH              | 1     | 1  |  |  |  |       |                        |
| 24   | 3702400000 | TUBO DE GOMA 8x4 D8*4                             | RUBBER PIPE 8x4 D8*4         | 1     | 1  |  |  |  |       |                        |
|      | P102154000 | BRIDA ELASTICA TUBO                               | ELASTIC PIPE FLANGE          | 2     | 2  |  |  |  |       |                        |
| 25   | Z713002000 | PRESOSTATO SIMPLE                                 | SIMPLE PRESSURE SWITCH       | 1     | 1  |  |  |  |       |                        |
| 26   | N503017000 | SOPORTE TERMOSTATO 1001713                        | THERMOSTAT SUPPORT 1001713   | 2     | 2  |  |  |  |       |                        |
| S/Nº | P443060000 | TAPON   | COVER                        | 1     | 1  |  |  |  |       |                        |
| 27   | R213004000 | TERMOSTATO REARME MANUAL                          | MANUAL RESET THERMOSTAT      | 1     | 1  |  |  |  |       | ELIMINADO 11.02.2013   |
| 27   | 12046165   | TERMOSTATO SEGURIDAD 115°C                        | SECURITY THERMOSTAT 115°C    | 1     | 1  |  |  |  |       | INTRODUCIDO 11.02.2013 |

| MOD. |            | LAVAVAJILLAS DE CAPOTA<br>PASS THROUGH DISHWASHER |                               | ZONA  | PARTE FUNCIONAL ELECTRICA<br>ELECTRICS FUNCTIONAL PART |  |  |  | PLANO | C-2498                 |
|------|------------|---|-------------------------------|-------|--|--|--|--|-------|------------------------|
| ITEM | CODIGO     | DENOMINACION                                      | TEXTO                         | AD-90 | AD-90 DD   |  |  |  |       | NOTAS                  |
| 28   | Z393005000 | TERMOSTATO CALDERIN                               | WASH DRUM THERMOSTAT          | 2     | 2  |  |  |  |       | ELIMINADO 29.10.10     |
| 28   | Z203014000 | TERMOSTATO CALDERIN                               | WASH DRUM THERMOSTAT          | 2     | 2  |  |  |  |       | ELIMINADO 01.11.2012   |
| 28   | 12040858   | TERMOSTATO CALDERIN                               | WASH DRUM THERMOSTAT          | 2     | 2  |  |  |  |       | INTRODUCIDO 01.11.2012 |
|      | Q152024000 | TORNILLO AVELLANADO M4x8                          | COUNTERSUNK BOLT M4x8         | 2     | 2  |  |  |  |       |                        |
| 29   | 3715520000 | CANALETA UNEX 60,30,77                            | PIPING UNEX 60.30.77          | 3     | 3  |  |  |  |       |                        |
|      | Q419005000 | REMACHE 4x8 ALMG3 / ALUMINIO                      | RIVET 4X8 ALMG3 / ALUMINIUM   | 4     | 4  |  |  |  |       |                        |
|      | Q221342000 | REMACHE EXAGONAL M5                               | HEXAGONAL RIVET M5            | 1     | 1  |  |  |  |       |                        |
|      | Q232040000 | ARANDELA A6                                       | WASHER A6                     | 2     | 2  |  |  |  |       |                        |
|      | Q162040000 | TUERCA EXAGONAL M6                                | HEXAGONAL NUT M6              | 2     | 2  |  |  |  |       |                        |
|      | Q152004000 | TORNILL, APLASTADO M5x13 A304                     | FLAT HEADED BOLT M5x13 A304   | 1     | 1  |  |  |  |       |                        |
|      | Z713035000 | REGLETA 6 mm.                                     | STRIP 6 mm.                   | 1     | 1  |  |  |  |       |                        |
|      | Z103064000 | BASE UNEX 1252                                    | BASE UNEX 1252                | 2     | 2  |  |  |  |       |                        |
| S/Nº | Z403016000 | GUIA CONTACTOR L-100                              | CONTACTOR GUIDE L-100         | 1     | 1  |  |  |  |       |                        |
|      | R663055000 | GUIA CONTACTOR L-120                              | CONTACTOR GUIDE L-120         | 1     | 1  |  |  |  |       |                        |
| 30   | Z203050000 | CONTAC. SIRIUS 3R 230V.50-60                      | CONTACT. SIRIUS 3R 230V.50-60 | 3     | 3  |  |  |  |       |                        |
| 31   | Z203062000 | RELE 230V. 16A-60 HZ                              | RELAY 230V. 16A-60 HZ         | 1     | 1  |  |  |  |       |                        |
|      | Z103083000 | GUIA CONTACTOR L-73                               | CONTACTOR GUIDE L-73          | 1     | 1  |  |  |  |       |                        |
| 32   | Z713037000 | CAJA CUADRO ELECTRICO                             | SWITCHBOARD BOX               | 1     | 1  |  |  |  |       |                        |
| 33   | Z743006000 | REGLETA DE CONEXIONES                             | CONNECTION STRIP              | 1     | 1  |  |  |  |       | ELIMINADO 03.09.10     |
| 33   | Z683069000 | BORNA 16  | TERMINAL 16                   | 3     | 3  |  |  |  |       | INTRODUCIDO 03.09.10   |
|      | Z683097000 | BORNA PASO WDU16 10204,8                          | STEP TERMINAL WDU16 10204.8   | 1     | 1  |  |  |  |       | INTRODUCIDO 03.09.10   |
|      | Z683070000 | BORNA A TIERRA WEIDMULLER                         | TERMINAL TO EARTH WEIDMULL    | 1     | 1  |  |  |  |       | INTRODUCIDO 03.09.10   |
|      | R073005000 | BORNAS PORTA FUSIBLES                             | FUSE HOLDER TERMINALS FUSE    | 2     | 2  |  |  |  |       | INTRODUCIDO 03.09.10   |
|      | 12040923   | BORNAS PORTA FUSIBLES 13A 4                       | FUSE HOLDER TERMINALS 13A     | 2     | 2  |  |  |  |       | INTRODUCIDO 09.07.2012 |
|      | 12040926   | FUSIBLE 0,50A Ø5MM 20X5 UL                        | FUSE 0.50A UL 20X5 Ø5MM       | 4     | 4  |  |  |  |       | INTRODUCIDO 09.07.2012 |
| 34   | R023013000 | PRENSA ESTOPAS                                    | STUFFING BOX                  | 1     | 1  |  |  |  |       |                        |
|      |            |   |                               |       |  |  |  |  |       |                        |
|      |            |   |                               |       |  |  |  |  |       |                        |
|      |            |   |                               |       |  |  |  |  |       |                        |
|      |            |   |                               |       |  |  |  |  |       |                        |

N plano  
**C-2498a**  
 Firma  
 Fecha  
**2011-06**  
 Aparato  
**LAVAVAJIL. AD-90 B BT / B A / B DD**  
 CONSULTA FUNCIONAL ELECTRICO  
 Laminia  
**6a**  
 Fagor Industrial S. Coop. **FAGOR**  
 Omate

**ITEM MARCADO EN COLOR = REPUESTO RECOMENDADO  
 COLOURED ITEM = RECOMMENDED SPARE PART**



| MOD. |                | LAVAVAJILLAS DE CAPOTA<br>PASS THROUGH DISHWASHER |                              | ZONA / ZONE | PARTE FUNCIONAL ELECTRICA<br>ELECTRICS FUNCTIONAL PART |            |  | PLANO<br>DIAGRAM | C-2498a |                        |
|------|----------------|---|------------------------------|-------------|--|------------|--|------------------|---------|------------------------|
| ITEM | CODIGO<br>CODE | DENOMINACION                                      | NAME                         | AD-90 B BT  | AD-90 B A  | AD-90 B DD |  |                  |         | NOTAS                  |
| 1    | Z101211000     | APOYO INTERRUPTOR                                 | SWITCH SUPPORT               | 1           | 1  | 1          |  |                  |         |                        |
| 2    | Z203010000     | AMARRE INTERRUPTOR MAGNET.                        | MAGNETIC SWITCH FASTENER     | 1           | 1  | 1          |  |                  |         |                        |
|      | Q232040000     | ARANDELA A-6                                      | WASHER A-6                   | 1           | 1  | 1          |  |                  |         |                        |
|      | Q162040000     | TUERCA EXAGONAL M-6                               | HEXAGONAL NUT M-6            | 1           | 1  | 1          |  |                  |         |                        |
| 3    | Z203009000     | INTERRUPTOR MAGNETICO                             | MAGNETIC SWITCH              | 1           | 1  | 1          |  |                  |         |                        |
| 4    | Z213073000     | TARJETA 5 RELES                                   | 5 RELAY CARD                 | 1           | 1  | 1          |  |                  |         |                        |
|      | Q232020000     | ARANDELA A4                                       | WASHER A4                    | 4           | 4  | 4          |  |                  |         |                        |
|      | Q242020000     | ARANDELA ABANICO A5 A.304                         | FAN WASHER A5 A.304          | 4           | 4  | 4          |  |                  |         |                        |
|      | Q042022000     | TORN. AVELLANADO M4X15                            | HEXAGONAL COUNTERSUNK M4     | 4           | 4  | 4          |  |                  |         |                        |
|      | Z515045000     | CASQUILLO SEPARADOR B                             | SEPARATOR BUSHING B          | 4           | 4  | 4          |  |                  |         |                        |
| 5    | Z713023000     | SOPORTE DISPLAY CAPOTA                            | HOOD DISPLAY SUPPORT         | 1           | 1  | 1          |  |                  |         |                        |
| 6    | Z713017000     | DISPLAY GICAR TEMPERATURAS                        | GICAR TEMPERATURE DISPLAY    | 1           | 1  | 1          |  |                  |         |                        |
| 7    | Z713027000     | SOPORTE PROGRAMADOR RELÉ                          | RELAY PROGRAMMER SUPPORT     | 1           | 1  | 1          |  |                  |         |                        |
| 8    | Z742920000     | EMBELLEC. ADHESIVO AD-90 B                        | ADHESIVE TRIM AD-90 B        | 1           | 1  | 1          |  |                  |         | ELIMINADO 18.02.2013   |
| 8    | 12023675       | EMBELLEC. ADHESIVO AD-120 B                       | ADHESIVE TRIM AD-120 B       | 1           | 1  | 1          |  |                  |         | INTRODUCIDO 18.02.2013 |
| 9    | Z713015000     | PROTECCION VENTILADOR ABS                         | FAN PROTECTION ABS           | 1           | 1  | 1          |  |                  |         |                        |
|      | Q042022000     | TORNILLO AVELLANADO M4x15                         | COUNTERSUNK BOLT M4x15       | 8           | 8  | 8          |  |                  |         |                        |
|      | Q162020000     | TUERCA EXAGONAL M4                                | HEXAGONAL NUT M4             | 12          | 12   | 12         |  |                  |         |                        |
|      | Q242020000     | ARANDELA ABANICO A-4 A304                         | FAN WASHER A-4 A304          | 8           | 8  | 8          |  |                  |         |                        |
| 10   | Z103066000     | VENTILADOR 230V,50/60 HZ                          | FAN 230V,50/60 HZ            | 1           | 1  | 1          |  |                  |         |                        |
| 11   | Z651731000     | CAPERUZA RESISTEN. CALDERIN                       | DRUM RESIST. CAP             | 1           | 1  | 1          |  |                  |         |                        |
|      | Q163140000     | TUERCA EXAGONAL M6 LATON                          | HEXAGONAL NUT M6 BRASS       | 2           | 2  | 2          |  |                  |         |                        |
|      | Q012031000     | TORNIL. EXAGONAL M5x10 A.304                      | HEXAGONAL BOLT M5X10 A.304   | 2           | 2  | 2          |  |                  |         |                        |
|      | Q232030000     | ARANDELA A-5                                      | WASHER A-5                   | 2           | 2  | 2          |  |                  |         |                        |
| 12   | Z241701000     | RESISTENCIA CALDERIN                              | DRUM RESISTOR                | 1           | 1  | 1          |  |                  |         |                        |
|      | Q221305000     | TUERCA EX. AUTO. M4 ZINCADA                       | HEX NUT , AUTO. M4 ZINC-COAT | 6           | 6  | 6          |  |                  |         |                        |
|      | Q163140000     | TUERCA EXAGONAL M6 LATON                          | HEXAGONAL NUT M6 BRASS       | 6           | 6  | 6          |  |                  |         |                        |
|      | Q262040000     | ARANDELA GROW. A6 A,304                           | WASHER GROW. A6 A.304        | 6           | 6  | 6          |  |                  |         |                        |
| 13   | Q307035000     | JUNTA TORICA AN-36 282333                         | O-RING AN-36 282333          | 1           | 1  | 1          |  |                  |         |                        |
| 14   | Z713028000     | SONDAS TEMPERATURA GICAR                          | GICAR TEMPERATURE GAUGE      | 2           | 2  | 2          |  |                  |         |                        |
| 15   | Z743601000     | RESISTENCIA TANQUE                                | TANK RESISTOR                | 1           | 1  | 1          |  |                  |         |                        |

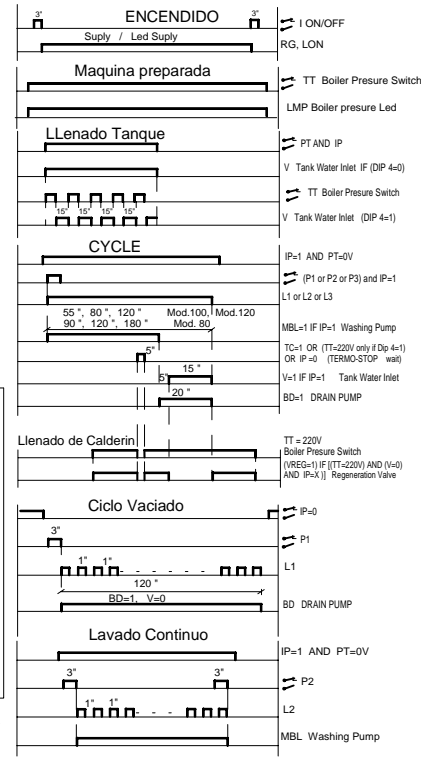
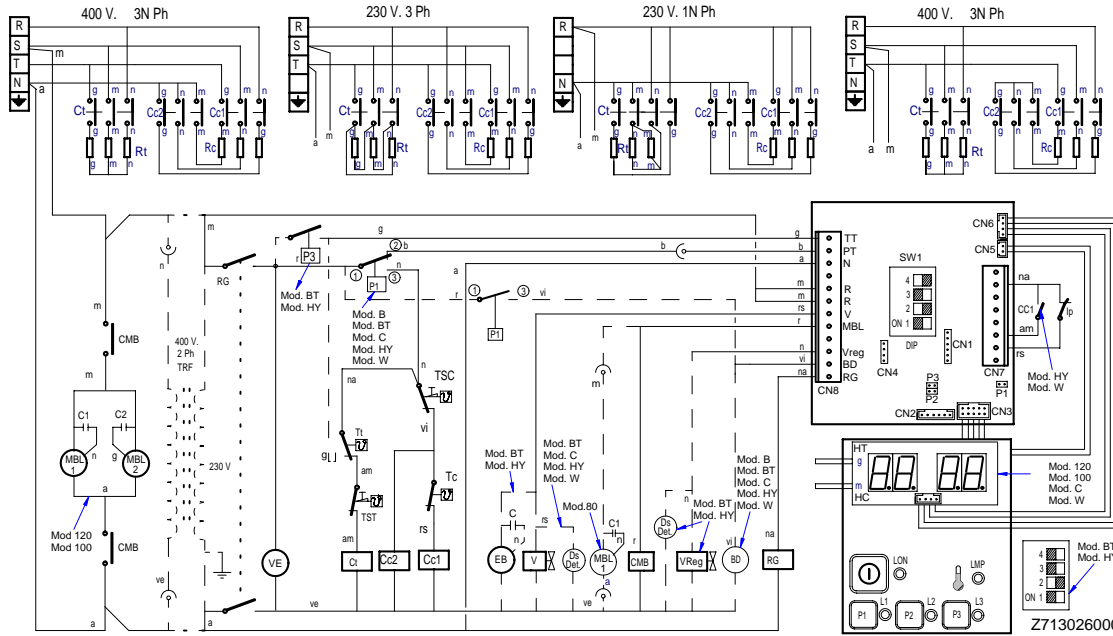
| MOD. |                | LAVAVAJILLAS DE CAPOTA<br>PASS THROUGH DISHWASHER |                              | ZONA / ZONE | PARTE FUNCIONAL ELECTRICA<br>ELECTRICS FUNCTIONAL PART |            |  | PLANO<br>DIAGRAM | C-2498a |                        |
|------|----------------|---|------------------------------|-------------|--|------------|--|------------------|---------|------------------------|
| ITEM | CODIGO<br>CODE | DENOMINACION                                      | NAME                         | AD-90 B BT  | AD-90 B A  | AD-90 B DD |  |                  |         | NOTAS                  |
| 16   | Z743602000     | SOPORTE RESISTENCIA TANQUE                        | TANK RESISTOR SUPPORT        | 1           | 1  | 1          |  |                  |         |                        |
|      | Q232040000     | ARANDELA A,6                                      | WASHER A,6                   | 1           | 1  | 1          |  |                  |         |                        |
|      | Q162040000     | TUERCA EXAGONAL M6                                | HEXAGONAL NUT M6             | 1           | 1  | 1          |  |                  |         |                        |
| 17   | 3702400000     | TUBO DE GOMA 8x4 D8*4                             | RUBBER PIPE 8x4 D8*4         | 1           |  |            |  |                  |         |                        |
|      | P102154000     | BRIDA ELASTICA TUBO                               | ELASTIC PIPE FLANGE          | 2           |  |            |  |                  |         |                        |
| 18   | Z213059000     | TRIPLE PRESOTATO 40-120-150                       | TRIPLE PRESSOST. 4 0-120-150 | 1           |  |            |  |                  |         |                        |
| 19   | Z213014000     | LIMITADOR TECASA P.                               | LIMITER TECASA P.            | 1           | 1  | 1          |  |                  |         |                        |
| S/Nº | Z203060000     | AMARRE LIMITADOR TECASA                           | LIMITER FASTENING TECASA     | 1           | 1  | 1          |  |                  |         |                        |
|      | Q152024000     | TORNILLO AVELLANADO M4x8                          | COUNTERSUNK BOLT M4x8        | 2           | 2  | 2          |  |                  |         |                        |
| 20   | Z713038000     | REGU. TERMOS. TANQUE 60 °C                        | TANK THERMOSTAT CONTROL 6    | 1           | 1  | 1          |  |                  |         | ELIMINADO 30.11.2012   |
| 20   | 12044848       | REGULADOR A 60°C Tc DE 85°C                       | REGULATOR 60°C Tc DE 85°C    | 1           | 1  | 1          |  |                  |         | INTRODUCIDO 30.11.2012 |
| 21   | Z718446000     | CHAPA W 85°C                                      | PLATE W 85°C                 | 1           | 1  | 1          |  |                  |         | ELIMINADO 31.10.2012   |
| 22   | Z602923000     | SOPORTE PRESOSTATO                                | PRESSURE SWITCH SUPPORT      | 1           | 1  | 1          |  |                  |         |                        |
|      | Q082032000     | TORNILLO ALOMADO BZ-3,5x9,5                       | CURVED SCREW BZ-3.5x9.5      | 1           | 1  | 1          |  |                  |         |                        |
|      | Q162040000     | TUERCA EXAGONAL M6                                | HEXAGONAL NUT M6             | 1           | 1  | 1          |  |                  |         |                        |
| 23   | Z203013000     | TORNILLO PRESOSTATO                               | PRESSURE SWITCH BOLT         | 1           | 1  | 1          |  |                  |         |                        |
| 24   | Z203012000     | EMPALME PRESOSTATO                                | PRESSURE SWITCH CONNEX       | 1           | 1  | 1          |  |                  |         |                        |
|      | Q307003000     | JUNTA TOR.16,01x10,77x2,62                        | O-RING 16.01x10.77x2.62      | 3           | 3  | 3          |  |                  |         |                        |
| 25   | Z203011000     | CAMARA PRESOSTATO                                 | PRESSURE SWITCH              | 1           | 1  | 1          |  |                  |         |                        |
| 26   | 3702400000     | TUBO DE GOMA 8x4 D8*4                             | RUBBER PIPE 8x4 D8*4         | 1           | 1  | 1          |  |                  |         |                        |
|      | P102154000     | BRIDA ELASTICA TUBO                               | ELASTIC PIPE FLANGE          | 2           | 2  | 2          |  |                  |         |                        |
| 27   | Z103077000     | RACORD EN Y                                       | Y-CONNECTION                 | 1           | 1  | 1          |  |                  |         |                        |
| 28   | Z713098000     | PRESOTATO SEGURIDAD                               | SAFETY PRESSOSTAT            | 1           | 1  | 1          |  |                  |         |                        |
| 29   | Z713002000     | PRESOTATO SIMPLE                                  | SIMPLE PRESSURE SWITCH       | 1           | 1  | 1          |  |                  |         |                        |
| 30   | R213004000     | TERMOSTATO REARME MANUAL                          | MANUAL RESET THERMOSTAT      | 1           | 1  | 1          |  |                  |         | ELIMINADO 11.02.2013   |
| 30   | 12046165       | TERMOSTATO SEGURIDAD 115°C                        | SECURITY THERMOSTAT 115°C    | 1           | 1  | 1          |  |                  |         | INTRODUCIDO 11.02.2013 |
| 31   | N503017000     | SOPORTE TERMOSTATO 1001713                        | THERMOSTAT SUPPORT 1001713   | 2           | 2  | 2          |  |                  |         |                        |
| S/Nº | P443060000     | TAPON   | COVER                        | 1           | 1  | 1          |  |                  |         |                        |
| 32   | Z203014000     | TERMOSTATO CALDERIN                               | WASH DRUM THERMOSTAT         | 2           | 2  | 2          |  |                  |         | ELIMINADO 01.11.2012   |
| 32   | 12040858       | TERMOSTATO CALDERIN                               | WASH DRUM THERMOSTAT         | 2           | 2  | 2          |  |                  |         | INTRODUCIDO 01.11.2012 |
|      | Q152024000     | TORNILLO AVELLANADO M4x8                          | COUNTERSUNK BOLT M4x8        | 2           | 2  | 2          |  |                  |         |                        |

| MOD. |                | LAVAVAJILLAS DE CAPOTA<br>PASS THROUGH DISHWASHER |                               | ZONA / ZONE | PARTE FUNCIONAL ELECTRICA<br>ELECTRICS FUNCTIONAL PART |            |  | PLANO<br>DIAGRAM | C-2498a |                        |
|------|----------------|---|-------------------------------|-------------|--|------------|--|------------------|---------|------------------------|
| ITEM | CODIGO<br>CODE | DENOMINACION                                      | NAME                          | AD-90 B BT  | AD-90 B A  | AD-90 B DD |  |                  |         | NOTAS                  |
| 33   | 3715520000     | CANALETA UNEX 60,30,77                            | PIPING UNEX 60.30.77          | 3           | 3  | 3          |  |                  |         |                        |
|      | Q419005000     | REMACHE 4x8 ALMG3 / ALUMINIO                      | RIVET 4X8 ALMG3 / ALUMINIUM   | 4           | 4  | 4          |  |                  |         |                        |
|      | Q221342000     | REMACHE EXAGONAL M5                               | HEXAGONAL RIVET M5            | 1           | 1  | 1          |  |                  |         |                        |
|      | Q232040000     | ARANDELA A6                                       | WASHER A6                     | 2           | 2  | 2          |  |                  |         |                        |
|      | Q162040000     | TUERCA EXAGONAL M6                                | HEXAGONAL NUT M6              | 2           | 2  | 2          |  |                  |         |                        |
|      | Q152004000     | TORNILL, APLASTADO M5x13 A304                     | FLAT HEADED BOLT M5x13 A304   | 1           | 1  | 1          |  |                  |         |                        |
|      | Z713035000     | REGLETA 6 mm.                                     | STRIP 6 mm.                   | 1           | 1  | 1          |  |                  |         |                        |
|      | Z103064000     | BASE UNEX 1252                                    | BASE UNEX 1252                | 2           | 2  | 2          |  |                  |         |                        |
| S/Nº | Z403016000     | GUIA CONTACTOR L-100                              | CONTACTOR GUIDE L-100         | 1           | 1  | 1          |  |                  |         |                        |
|      | R663055000     | GUIA CONTACTOR L-120                              | CONTACTOR GUIDE L-120         | 1           | 1  | 1          |  |                  |         |                        |
| 34   | Z203050000     | CONTAC. SIRIUS 3R 230V.50-60                      | CONTACT. SIRIUS 3R 230V.50-60 | 3           | 3  | 3          |  |                  |         |                        |
| 35   | Z213007000     | CONTACTOR 230 V. 50-60 HZ                         | CONTACTOR 230 V. 50-60 HZ     | 1           |  |            |  |                  |         |                        |
| 36   | Z203062000     | RELE 230V. 16A-60 HZ                              | RELAY 230V. 16A-60 HZ         | 1           | 1  | 1          |  |                  |         |                        |
|      | Z103083000     | GUIA CONTACTOR L-73                               | CONTACTOR GUIDE L-73          | 1           | 1  | 1          |  |                  |         |                        |
| 37   | Z713037000     | CAJA CUADRO ELECTRICO                             | SWITCHBOARD BOX               | 1           | 1  | 1          |  |                  |         |                        |
| 38   | Z683069000     | BORNA 16  | TERMINAL 16                   | 3           | 3  | 3          |  |                  |         |                        |
|      | Z683097000     | BORNA PASO WDU16 10204,8                          | STEP TERMINAL WDU16 10204.8   | 1           | 1  | 1          |  |                  |         |                        |
|      | Z683070000     | BORNA A TIERRA WEIDMULLER                         | TERMINAL TO EARTH WEIDMULL    | 1           | 1  | 1          |  |                  |         |                        |
|      | Z683068000     | SEÑALIZ.DEK-6WEIDMULLER                           | SIGNS DEK-6WEIDMULLER         | 1           | 1  |            |  |                  |         |                        |
|      | R073005000     | BORNAS PORTA FUSIBLES                             | FUSE HOLDER TERMINALS         | 2           | 2  | 2          |  |                  |         |                        |
|      | 12040923       | BORNAS PORTA FUSIBLES 13A 4                       | FUSE HOLDER TERMINALS 13A     | 2           | 2  | 2          |  |                  |         | INTRODUCIDO 09.07.2012 |
|      | 12040926       | FUSIBLE 0,50A Ø5MM 20X5 UL                        | FUSE 0.50A UL 20X5 Ø5MM       | 4           | 4  | 4          |  |                  |         | INTRODUCIDO 09.07.2012 |
|      | R723015000     | FUSIBLE CRISTAL 10A.                              | FUSE HOLDER TERMINALS         | 2           | 2  | 2          |  |                  |         |                        |
|      | Z103083000     | GUIA CONTACTOR L-73                               | CONTACTOR GUIDE L-73          | 1           | 1  | 1          |  |                  |         |                        |
| 39   | R023013000     | PRENSA ESTOPAS                                    | STUFFING BOX                  | 1           | 1  | 1          |  |                  |         |                        |
|      |                |   |                               |             |  |            |  |                  |         |                        |
|      |                |   |                               |             |  |            |  |                  |         |                        |
|      |                |   |                               |             |  |            |  |                  |         |                        |
|      |                |   |                               |             |  |            |  |                  |         |                        |
|      |                |   |                               |             |  |            |  |                  |         |                        |

|      |   |      |                        |       |  |
|------|---|------|------------------------|-------|--|
| MOD. | LAVAVAJILLAS DE CAPOTA<br>PASS THROUGH DISHWASHER | ZONA | VARIOS / MISCELLANEOUS | PLANO |  |
|------|---|------|------------------------|-------|--|

| ITEM | CODIGO     | DENOMINACION                 | TEXTO                    | AD-90 | AD-90 DD | AD-90 B A | AD-90 B BT | AD-90 B DD |  |  |                      |
|------|------------|------------------------------|--------------------------|-------|----------|-----------|------------|------------|--|--|----------------------|
|      | Z716135000 | FOLLETO DE INSTRUCCIONES AD  | INSTRUCTION LEAFLET      | 1     | 1        | 1         | 1          | 1          |  |  |                      |
|      | Z713026000 | ESQUEMA TEORICO AD           | THEORETICAL DIAGRAM AD.  | 1     | 1        | 1         | 1          | 1          |  |  | PLANO HC-18188       |
|      | Z713025000 | PLANO DE MONTAJE AD          | ASSEMBLY PLAN AD         | 1     | 1        | 1         | 1          | 1          |  |  | PLANO HC-18187       |
|      | Z713036000 | LEYENDA CAPOTA               | HOOD LEGEND              | 1     | 1        | 1         | 1          | 1          |  |  | PLANO HC-17400       |
|      | Z723012000 | CABLEADO CALDERIN AD-120     | DRUM AD-120 WIRING       | 1     | 1        | 1         | 1          | 1          |  |  |                      |
|      | Z713019000 | CABLEADO PROLONGAD. SONDAS   | PROBE WIRING             | 1     | 1        | 1         | 1          | 1          |  |  | ELIMINADO 01.11.10   |
|      | Z713021000 | CABLE CONEXIÓN PLACA-DISPLAY | DISPLAY CONNECTI. WIRING | 1     | 1        | 1         | 1          | 1          |  |  |                      |
|      | Z713040000 | CABLEADO PROLONG. EMB.MEMB.  | PROBE WIRING             | 1     | 1        | 1         | 1          | 1          |  |  | ELIMINADO 11.02.11   |
|      | Z713024000 | INSTALACION ELECTRICA AD     | ELEC. INSTALATION AD     | 1     | 1        | 1         | 1          | 1          |  |  |                      |
|      | Z718946000 | CABLEADO TRIFASICO 10 MM.    | III+N WIRING             | 1     | 1        | 1         | 1          | 1          |  |  |                      |
|      | Z208904000 | CABLEADO DOSIFICADOR DTGTE   | DOSEFOR DETERGEN. WIRING | 1     | 1        | 1         | 1          | 1          |  |  |                      |
|      | Z723013000 | CABLE TENSOR                 | TENSIONER WIRING         | 1     | 1        | 1         | 1          | 1          |  |  | INTRODUCIDO 15.11.10 |
|      |            |                              |                          |       |          |           |            |            |  |  |                      |
|      |            |                              |                          |       |          |           |            |            |  |  |                      |
|      |            |                              |                          |       |          |           |            |            |  |  |                      |
|      |            |                              |                          |       |          |           |            |            |  |  |                      |
|      |            |                              |                          |       |          |           |            |            |  |  |                      |
|      |            |                              |                          |       |          |           |            |            |  |  |                      |
|      |            |                              |                          |       |          |           |            |            |  |  |                      |
|      |            |                              |                          |       |          |           |            |            |  |  |                      |
|      |            |                              |                          |       |          |           |            |            |  |  |                      |
|      |            |                              |                          |       |          |           |            |            |  |  |                      |
|      |            |                              |                          |       |          |           |            |            |  |  |                      |
|      |            |                              |                          |       |          |           |            |            |  |  |                      |
|      |            |                              |                          |       |          |           |            |            |  |  |                      |
|      |            |                              |                          |       |          |           |            |            |  |  |                      |
|      |            |                              |                          |       |          |           |            |            |  |  |                      |
|      |            |                              |                          |       |          |           |            |            |  |  |                      |
|      |            |                              |                          |       |          |           |            |            |  |  |                      |
|      |            |                              |                          |       |          |           |            |            |  |  |                      |
|      |            |                              |                          |       |          |           |            |            |  |  |                      |
|      |            |                              |                          |       |          |           |            |            |  |  |                      |
|      |            |                              |                          |       |          |           |            |            |  |  |                      |
|      |            |                              |                          |       |          |           |            |            |  |  |                      |
|      |            |                              |                          |       |          |           |            |            |  |  |                      |
|      |            |                              |                          |       |          |           |            |            |  |  |                      |
|      |            |                              |                          |       |          |           |            |            |  |  |                      |
|      |            |                              |                          |       |          |           |            |            |  |  |                      |

AD 120, AD 120 B, AD 120 B BT, AD 120 C, AD 120 HY, AD 120 W,  
 AD 100, AD 100 B, AD 100 B BT, AD 100 C, AD 100 HY, AD 100 W,  
 AD 90, AD 90 B, AD 90 B BT, AD 90 C, AD 90 HY, AD 90 W,



| FAGOR ELECTRONICO MODELO ADVANCE                   | DIP1 | DIP2 | DIP3 | DIP4 | TIEMPOS CICLOS (sg.)        |
|--|------|------|------|------|-----------------------------|
| AD-90 , AD-90 DD, AD-90 B BT                       | ON   | OFF  | OFF  | OFF  | P1=75 / P2= 120 / P3=180    |
| AD-90 W  | ON   | OFF  | OFF  | ON   |                             |
| AD-120, AD-120 B, AD-120 B BT, ADE-120, ADE-120 B. | ON   | OFF  | ON   | OFF  | P1=55 / P2= 80 / P3=120 - ∞ |
| AD-120 W, AD-120 HY , AD- 120 C                    | ON   | OFF  | ON   | ON   |                             |

- DIP1 = ON, al cerrar la puerta o bajar capó el lavavajillas se pone en marcha.
- DIP1 = OFF, al cerrar la puerta o bajar el capó el lavavajillas sigue lavando **SÓLO SI EL CICLO NO HA ACABADO.**
- DIP2 = ON, Para los modelos que llevan **DESCALCIFICADOR**, versiones "D".
- DIP2 = OFF, para los modelos con **BOMBA DESAGÜE**, versiones "B".
- DIP1 + DIP3 , con las diferentes combinaciones posibles configuramos los tiempos de ciclo.
- DIP4 = ON, **TERMOSTOP ACTIVADO**, para los modelos con termo stop, versiones "C", "W" y "HY".
- DIP4 = OFF, **TERMOSTOP DESACTIVADO**, para los modelos que **NO** llevan **TERMOSTOP**.

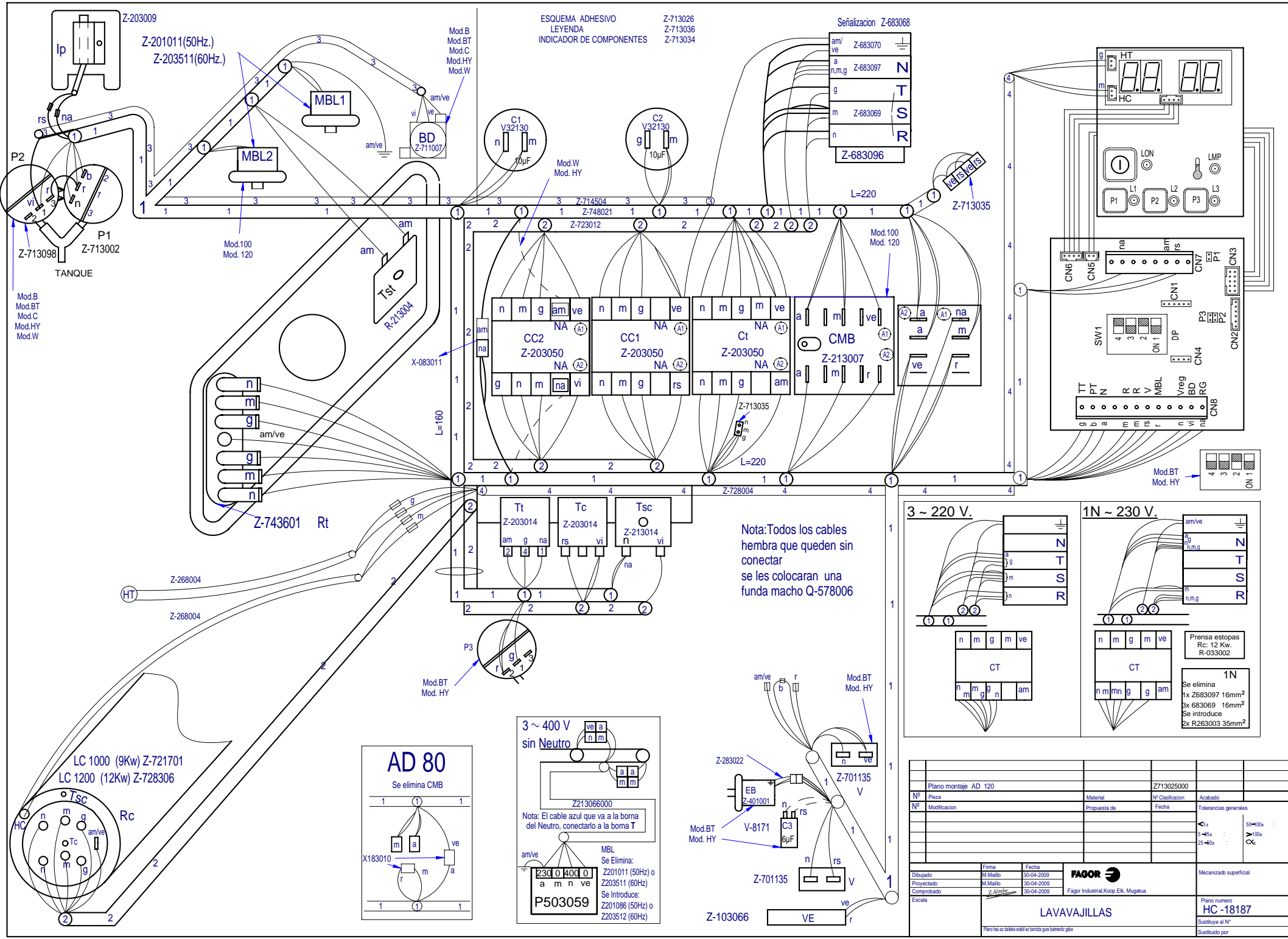
| Esquema teorico AD 120 |                         | -     | -                            | Z713026000        | -   |                |
|------------------------|-------------------------|-------|------------------------------|-------------------|---|----------------|
| Zk./Nº                 | Proiza                  | Cant. | Materiala/Material           | Klas. zk/Nº Clas. | Gainazal akabera/Tratamiento              |                |
| Zk./Nº                 | Aidaketa/Modificaciones |       | Nork proposatua/Propuesta de | Data/Fecha        | Perdoi orokorrak<br>Tolerancias generales |                |
|                        |                         |       |                              |                   | < 5 ± 0.2                                 | 50 ÷ 100 ± 0.8 |
|                        |                         |       |                              |                   | 5 ÷ 25 ± 0.4                              | >100 ± 1       |
|                        |                         |       |                              |                   | 25 ÷ 50 ± 0.6                             | α ± 1          |

|                        |                      |  |  |
|------------------------|----------------------|--|--|
| Sinadura/Firma         | Data/Fecha           | <br>Fagor Industrial, Koop. Elk. Mugatua | Gainazal perdoia<br>Mecanizado superficial |
| Marraztua/Dibujado     | M. Maillo 30-05-2009 |  |  |
| Proiektatua/Proyektado | M. Maillo 30-05-2009 |  |  |
| Egiaztatua/Comprobado  | Z. Alube 30-05-2009  |  |  |
| Eskala/Escala          |                      |  | Plano Zk./Plano Nº<br>HC - 18188           |
|                        |                      |  | Zk. ord. du                                |
|                        |                      |  | Zk. gaitik ord.                            |

## LAVAVAJILLAS

Plano hau ezin daiteke erabili, ez berritzatu, gure baimenik gabe.

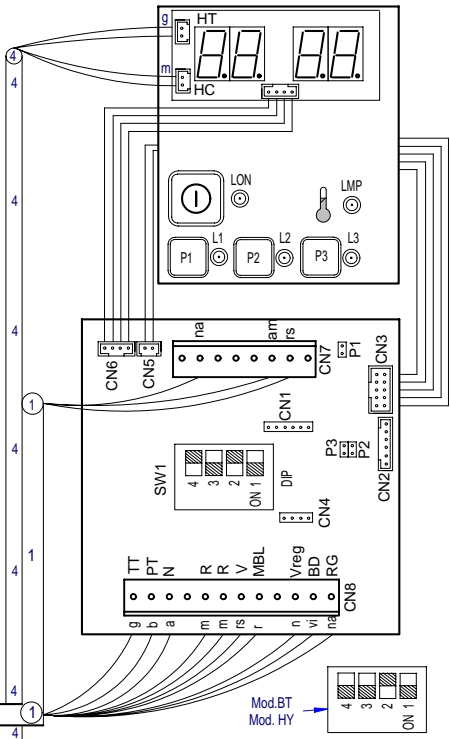
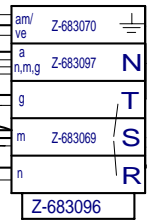




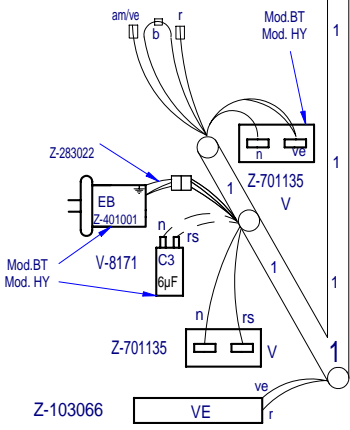
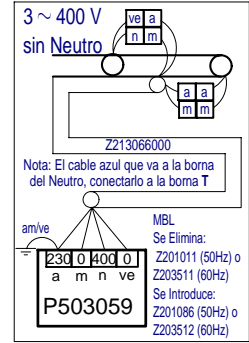
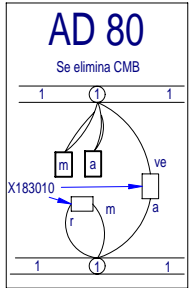
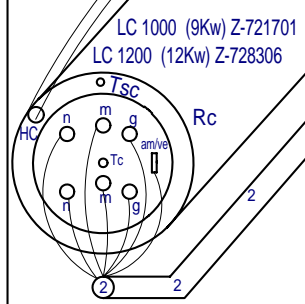
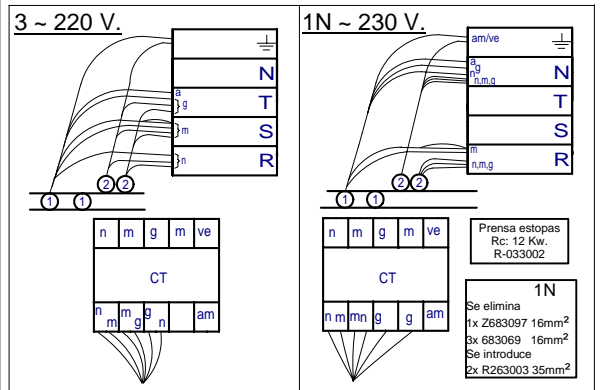
ESQUEMA ADHESIVO  
LEYENDA  
INDICADOR DE COMPONENTES

Z-713026  
Z-713036  
Z-713034

Señalización Z-683068



Nota: Todos los cables hembra que queden sin conectar se los colocaran una funda macho Q-578006



|  |              |   |   |
|--|--------------|---|---|
| Plano montaje AD 120   |              | Z713025000  |   |
| Nº Pieza   | Material     | Nº Clasificación                                      | Acabado   |
| Nº Modificación  | Propuesta de | Fecha   | Tolerancias generales   |
|  |              |   | <math>\pm 0.1</math> : 50~100s<br><math>\pm 0.25</math> : 5~100s<br><math>\pm 0.5</math> : 25~40s |
| Firma: M.Mallo<br>Fecha: 30-04-2009<br>Proyecto: M.Mallo<br>Fecha: 30-04-2009<br>Comprobado: Z. Aluís<br>Fecha: 30-04-2009 |              | <b>FAGOR</b><br>Fagor Industrial, Koop, Eik, Mugautia |   |
| Mecanizado superficial<br>Escala   |              |   | Plano numero<br><b>HC -18187</b><br>Sustituye al Nº<br>Sustituido por                             |

Plano hau ez daiteke estabi ez berritu gure baimen gabe

LAVAVAJILLAS

# LEYENDA CAPOTA

|            | ESPAÑOL                           | FRANÇAIS                        | ENGLISH                      | DEUTSCH                                     | ITALIANO                                |
|------------|-----------------------------------|---------------------------------|------------------------------|---|---|
| Ⓐ Ⓑ        | Puntos de conexión con R          | Points de conexión R            | Connection point with R      | Anschlußpunkte mit R                        | Punti di collegamento con R             |
| BD         | Bomba desagüe                     | Pompe de vidange                | Drain pump                   | Abflußpumpe                                 | Pompa scarico                           |
| C 1/2/3    | Condensador                       | Condensateur                    | Condenser                    | Kondensator                                 | Condensatore                            |
| CMB        | Contactora bomba lavado           | Contacteur pompe lavage         | Wash pump contactor          | Kontaktschütz Waschpumpe                    | Contattore pompa lavaggio               |
| Cc 1/2     | Contactora calentamiento calderin | Contacteur chauff. surchauffeur | Boiler heating contactor     | Kontaktschütz Boilerheizung                 | Contattore riscaldamento boiler         |
| Ct         | Contactora calentamiento tanque   | Contacteur chauffage cuve       | Tank heating contactor       | Kontaktschütz Heizung Tank                  | Contattore riscaldamento serbatoio      |
| CP         | Rele puerta                       | Relais porte                    | Door relay                   | Türrelais                                   | Rele porta                              |
| Ds.Det.    | Dosificador detergente            | Dosueur de detergent            | Detergent doser              | Dosierer Spülmittel                         | Dosatore detersivo                      |
| E.B        | Electrobomba de presión           | Electropompe de pression        | Electric pressure pump       | Elektro-Drucksteigerungspumpe               | Electropompa pressione                  |
| IG         | Interruptor general               | Interrupteur general            | Main switch                  | Hauptschalter                               | Interruttore generale                   |
| IP         | Micro puerta                      | Micro porte                     | Door microswitch             | Mikroschalter Tür                           | Micro porta                             |
| L1         | Piloto de encendido               | Voyant fonctionnement           | Operation light              | Betriebsanzeigelampe                        | Spia accensione                         |
| L2         | Piloto marcha                     | Voyant démarrage                | Start light                  | Startanzeigelampe                           | Spia avvio                              |
| L3         | Piloto máquina preparada          | Voyant machine prêt             | Light machine ready          | Betriebsbereitschaftsanzeigelampe           | Pilota macchina preparata               |
| MBL 1/2    | Bomba lavado                      | Pompe lavage                    | Wash pump                    | Waschpumpe                                  | Pompa lavaggio                          |
| M          | Motor programador                 | Moteur du programmeur           | Motor programmer             | Motor Programmiervorrichtung                | Motore programmatore                    |
| M Av. R    | Motor program. avance rápido      | Moteur du progr.avance rapide   | Motor program. rapid advance | Motor Programmiervorrich. schneller Vorlauf | Motore programmatore avanzamento rapido |
| M1         | Micro programador marcha          | Micro du programm. de marche    | Micro programmer on          | Motor Programmiervorrich. Betrieb           | Micro programma. di funzionamento       |
| M2         | Micro programador lavado          | Micro du programm. de lavage    | Micro programmer wash        | Motor Programmiervorrich. Waschen           | Micro programmatore di lavaggio         |
| M3         | Micro programador aclarado        | Micro du programm. de rinçage   | Micro programmer on          | Motor Programmiervorrich. Spülen            | Micro programmatore di risciacquo       |
| M4         | Micro programador Termo-stop      | Micro du programm. Thermo-stop  | Micro programmer Thermo-stop | Motor Programmiervorrich. Thermo-Stop       | Micro programmatore Termo-stop          |
| M5         | Micro programador avance          | Micro du programm. avance       | Micro programmer advance     | Motor Programmiervorrich. Vorlauf           | Micro programmatore avanzamento         |
| M6         | Micro programador avance          | Micro du programm. avance       | Micro programmer advance     | Motor Programmiervorrich. Vorlauf           | Micro programmatore avanzamento         |
| P, P1, P5  | Presostato                        | Pressostat                      | Pressure switch              | Druckwächter                                | Pressostato                             |
| P2, P3, P4 | Presostato limitador              | Pressostat de sécurité          | Hi-limit pressure switch     | Begrenzer Druckwächter                      | Pressostato limitatore                  |
| R          | Rele de Generador de A.C.         | Relais du Générateur            | Generator rele               | Relais Generator                            | Rele Generatore                         |
| Ⓡ Ⓝ        | Toma de alimentac. Generador A.C. | Alimentation generateur         | Water heater feeding         | Stromversorgungsanschluß Gener.             | Alimentazione generatore                |
| RC         | Resistencia calderin              | Resistance surchauffeur         | Boiler heating element       | Heizwiderstand Boiler                       | Resistenza boiler                       |
| RT         | Resistencia tanque                | Resistance cuve                 | Tank heater                  | Heizwiderstand Tank                         | Resistenza serbatoio                    |
| Tt         | Termostato tanque                 | Thermostat de cuve              | Tank thermostat              | Thermostat Tank                             | Termostato serbatoio                    |
| TC         | Termostato calderin               | Thermostat surchauffeur         | Boiler thermostat            | Thermostat kessel                           | Termostato boiler                       |
| Tst        | Limitador tanque                  | Limiteur de cuve                | Tank limiter                 | Begrenzer Tank                              | Limitatore serbatoio                    |
| TSC        | Limitador calderin                | Limiteur surchauffeur           | Boiler Hi-limit              | Begrenzer Boiler                            | Limitatore boiler                       |
| TSTP       | Termostato termo-stop             | Thermostat Thermo-stop          | Thermo-stop Thermostat       | Thermostat Thermo-stop                      | Termostato Thermo-stop                  |
| V          | Electrovalvula llenado y aclarado | Electrovan. remplissage rinçage | Fill and rinse valve         | Elektroventil Füllen und Spülen             | Elettroval. riempimento e risciacquo    |
| VE         | Ventilador cuadro eléctrico       | Ventilateur tableau électrique  | Switchboard fan              | Schalttafelventilator                       | Ventilatore quadro elettrico            |
| COLOR      | COLORES                           | COULEURS                        | COLOUR                       | FARBEN                                      | COLORE                                  |
| a =        | Azul                              | Bleu                            | Blue                         | Blau  | Blu                                     |
| am =       | Amarillo                          | Jaune                           | Yellow                       | Gelb  | Giallo                                  |
| am/ve =    | Amarillo/verde                    | Jaune / vert                    | Yellow / green               | Gelb/grün                                   | Giallo/verde                            |
| b =        | Blanco                            | Blanc                           | White                        | Weiß  | Bianco                                  |
| g =        | Gris                              | Gris                            | Grey                         | Grau  | Grigio                                  |
| m =        | Marrón                            | Marron                          | Brown                        | Braun                                       | Marrone                                 |
| n =        | Negro                             | Noir                            | Black                        | Schwarz                                     | Nero                                    |
| na =       | Naranja                           | Orange                          | Orange                       | Orange                                      | Arancio                                 |
| r =        | Rojo                              | Rouge                           | Red                          | Rot   | Rosso                                   |
| rs =       | Rosa                              | Rose                            | Pink                         | Rosa  | Roseo                                   |
| ve =       | Verde                             | Vert                            | Green                        | Grün  | Verde                                   |
| vi =       | Violeta                           | Violet                          | Purple                       | Violett                                     | Viola                                   |

Z-713036