

---

## DESPIECES DEL SERVICIO TECNICO

---

**Armarios Frigoríficos GN-2/1**  
**Armoires Réfrigérées GN-2/1**  
**2/1-GN Refrigerated Cabinets**  
**2/1-GN Hochkühlschränke**  
**Armadi Frigoriferi GN-2/1**

**AFP-800 / AFP-1600**

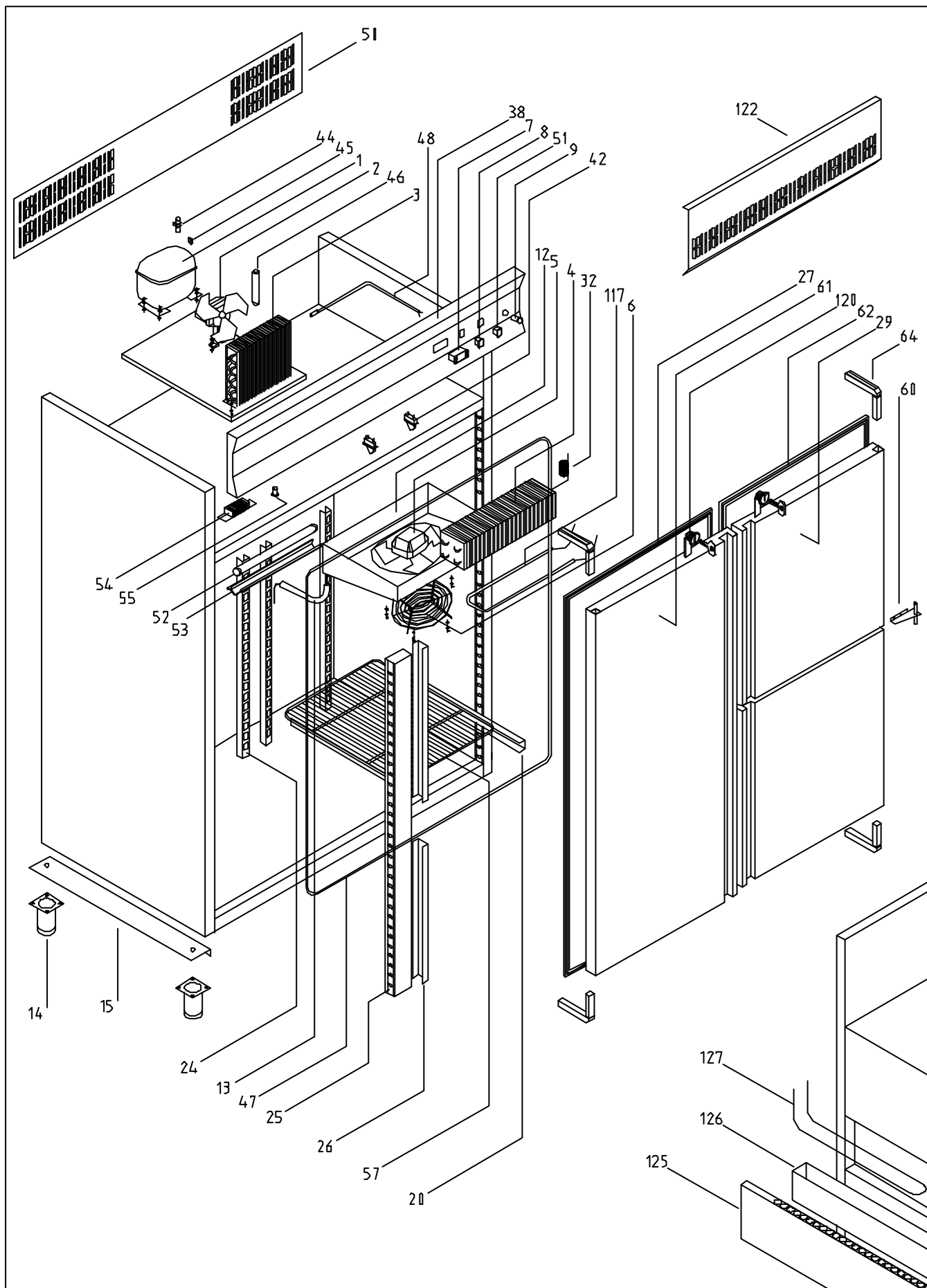
~~**AFN-800 / AFN-1600**~~


**AF-MIX**

**FEBRERO 2002**



**Fagor Industrial**



|  |  |          |                          |   |
|--|--|----------|--------------------------|---|
| COMUN A  | Armarios Gastronorma 2/1 de Refrigeración                |          |                          |   |
|  | Armarios Gastronorma 2/1 de Conservación de Congelados   |          |                          |   |
|  | Armarios Gastronorma 2/1 con departamento: Cámara grande |          |                          |   |
|  | Firma  | Fecha    |                          |   |
| Dibujado   | M. Mellado   | 14/12/11 |                          |   |
| Proyectado   |  |          |                          |   |
| Comprobado   |  |          |                          |   |
| <b>DESPIECE ARMARIOS</b><br><b>REFRIGERACION Y MANTENIMIENTO</b> |  |          | Código<br><b>DSP0041</b> | <br>FAGORRI S.A. |

## PLANO DESPIECE



FAGOFRI  
Código

MATERIAL

MODELO

|     |            |   | DSP0041 | DSP0041 | DSP0041     | DSP0041  | DSP0041  | DSP0041  | DSP0041      |
|-----|------------|---|---------|---------|-------------|----------|----------|----------|--------------|
|     |            |   | AFP-801 | AFP-802 | AFP-802 / 2 | AFP-1602 | AFP-1603 | AFP-1604 | AFP-1602 / 2 |
| 1   | 6001700004 | Compresor, Danfoss FR-8,5-G   | 1       | 1       |             |          |          |          | 1            |
| 1   | 6001700007 | Compresor, Danfoss SC-12-G  |         |         |             | 1        | 1        | 1        |              |
| 1   | 6001700002 | Compresor, Danfoss TL-5-G   |         |         | 2           |          |          |          |              |
| 2   | 6001506002 | Ventilador unidad condensadora, 10 w con pala y pata                                | 1       | 1       |             | 1        | 1        | 1        | 1            |
| 3   | 6001911008 | Condensador, 8x2 derecha techo  |         |         | 2           |          |          |          |              |
| 3   | 6001911002 | Condensador, 9x2 derecha techo  | 1       | 1       |             |          |          |          | 1            |
| 3   | 6001911003 | Condensador, 9x3 derecha techo  |         |         |             | 1        | 1        | 1        |              |
| 4   | 6001902003 | Evaporador , 12T 3R 420A 4S   |         |         |             | 1        | 1        | 1        |              |
| 4   | 6001902001 | Evaporador tiro forzado, B 5T 4R 330A 4S  |         |         | 1           |          |          |          |              |
| 4   | 6001902002 | Evaporador tiro forzado, B 8T 4R 330A 4S ARMARIO                                    | 1       | 1       |             |          |          |          | 1            |
| 5   | 6001506001 | Ventilador Evaporador, 5 w con pala y aro   | 1       | 1       | 2           | 1        | 1        | 1        | 1            |
| 6   | 6000202216 | Rejilla protección ventilador evaporador, Plastico inyectado                        | 1       | 1       | 2           | 1        | 1        | 1        | 1            |
| 7   | 6001507045 | Control digital refrigeración, CAREL IR32SE0000 con sonda y transformador           | 1       | 1       | 2           | 1        | 1        | 1        | 1            |
| 7   | 6001507046 | Control digital refrigeración, CAREL PJ32SOPOOK con sondas                          | 1       | 1       | 2           | 1        | 1        | 1        | 1            |
| 7   | 6001507039 | Control digital refrigeración, ELIWELL EWDC 112 con sonda                           | 1       | 1       | 2           | 1        | 1        | 1        | 1            |
| 7   | 6001507002 | Control digital refrigeración, ELIWELL EWPC 961 N con sonda y transformador         | 1       | 1       | 2           | 1        | 1        | 1        | 1            |
| 8   | 6001507003 | Interruptor general on / off, BIPOLAR N/ABMAR 220 V. IB4-3106                       | 1       | 1       | 2           | 1        | 1        | 1        | 1            |
| 9   | 6001507005 | Piloto funcionamiento compresor, L-312 Ø13 mm 220 V AMBAR                           | 1       | 1       | 2           | 1        | 1        | 1        | 1            |
| 12  | 6009992007 | Bandeja goteo evaporador armario GN 2/1 cuerpo tiro forzado, Acero inox 470x515     | 1       | 1       | 2           |          |          |          | 1            |
| 12  | 6009992000 | Bandeja goteo evaporador GN 2/1 2 cuerpos, Acero inox 535x515                       |         |         |             | 1        | 1        | 1        |              |
| 13  | 6009991085 | Conjunto desagüe evaporador tiro forzado,   | 1       | 1       | 1           | 1        | 1        | 1        | 1            |
| 14  | 6009990363 | Conjunto pata regulable armario GN, ø63x130 / 200 base 82x82                        | 4       | 4       | 4           | 4        | 4        | 4        | 4            |
| 15  | 6002504002 | Base lateral apoyo armario Gastronorma, zincado 734x140                             | 2       | 2       | 2           | 2        | 2        | 2        | 2            |
| 20  | 6009990004 | Juego guías estante parrilla interior, Armario GN 2/1 "U" 662 mm.                   | 3       | 3       | 4           | 6        | 6        | 6        | 6            |
| 24  | 6009990217 | Cremallera trasera armario GN 2/1, Acero inox 35x1260                               | 2       | 2       | 4           | 4        | 4        | 4        | 4            |
| 25  | 6009990220 | Cremallera delantera puerta grande, Común, acero inox 35x1480                       | 2       |         |             | 4        | 2        |          | 4            |
| 26  | 6009990221 | Cremallera delantera puerta pequeña, Común, acero inox 35x700                       |         | 4       | 4           |          | 4        | 8        |              |
| 27  | 6001401109 | Burlete magnetico puerta grande armario Snack / GN, 640x1525 UR-260-M               | 1       |         |             | 2        | 1        |          | 2            |
| 29  | 6009990011 | Puerta pequeña armario frigorífico, Acero inox. 695x780                             |         | 2       | 2           |          | 2        | 4        |              |
| 32  | 6009991517 | Tubo capilar, 0,8x1600  |         |         | 2           |          |          |          |              |
| 32  | 6009991504 | Tubo capilar, 1,0x3300  | 1       | 1       |             |          |          |          | 2            |
| 32  | 6009991505 | Tubo capilar, 1,25x1300   |         |         |             | 1        | 1        | 1        |              |
| 38  | 6009990067 | Cabeza cuadro de mandos armario con departamento, inox. 1400x265                    |         |         |             |          |          |          | 1            |
| 38  | 6009990066 | Cabeza cuadro de mandos armario con departamento, inox. 700x265                     |         |         | 1           |          |          |          |              |
| 38  | 6009990036 | Cabeza cuadro de mandos, inox. 1400x265   |         |         |             | 1        | 1        | 1        |              |
| 38  | 6009990035 | Cabeza cuadro de mandos, inox. 700x265  | 1       | 1       |             |          |          |          |              |
| 42  | 6001507041 | Interruptor paro ventilador tiro forzado (ARMARIOS), Pulsador 1005172 NA/M14,2S4,BM | 1       | 1       | 2           | 2        | 2        | 2        | 2            |
| 44  | 6002000031 | Relé de arranque compresor FR-8,5-G, Danfoss 117U6015                               | 1       | 1       |             |          |          |          | 2            |
| 44  | 6004000003 | Relé de arranque compresor SC-12-G, Danfoss 117U6003                                |         |         |             | 1        | 1        | 1        |              |
| 44  | 6004000022 | Relé de arranque compresor TL-5-G, Danfoss 117U6000                                 |         |         | 2           |          |          |          |              |
| 45  | 6004000007 | Condensador de arranque compresor TL, Danfoss 117U5014                              |         |         | 2           |          |          |          |              |
| 45  | 6004000008 | Condensador de arranque FR, Danfoss 117U5015  | 1       | 1       | 1           |          |          |          | 2            |
| 45  | 6004000009 | Condensador de arranque SC, Danfoss 117U5017  |         |         |             | 1        | 1        | 1        |              |
| 46  | 6000601003 | Filtro secador, 40 gr. 1/4 x 1/4  | 1       | 1       | 2           | 1        | 1        | 1        | 2            |
| 47  | 6001508008 | Resistencia fronti horizontal armario trop. / mant., 12 w                           |         | 1       | 1           |          |          | 1        | 2            |
| 47  | 6001508010 | Resistencia fronti vertical armario, 31 w   |         |         |             | 1        | 1        | 1        | 1            |
| 47  | 6001508009 | Resistencia marco armario 1 cuerpo trop. / mant., 43 w                              | 1       | 1       | 1           |          |          |          |              |
| 47  | 6001508007 | Resistencia marco armario 2 cuerpos trop. / mant., 57 w                             |         |         |             | 1        | 1        | 1        | 1            |
| 48  | 6002000057 | Sonda termostato, NTC 938 Ohm   | 1       | 1       | 2           | 1        | 1        | 1        | 2            |
| 49  | 6009990260 | Juego cierre con llave puerta armario,  | 1       | 1       | 1           | 2        | 2        | 2        | 2            |
| 50  | 6009990293 | Rejilla trasera armario GN, Acero 1360x260  |         |         |             | 1        | 1        | 1        | 1            |
| 50  | 6009990292 | Rejilla trasera armario GN, Acero 660x260   | 1       | 1       | 1           |          |          |          |              |
| 51  | 6001507004 | Interruptor Iluminación, Unipolar rojo  | 1       | 1       | 2           | 1        | 1        | 1        | 2            |
| 52  | 6001509001 | Tubo fluorescente, 15 w   | 1       | 1       | 2           | 2        | 2        | 2        | 2            |
| 53  | 6000202505 | Proteccion fluorescente, Policarbonato traslucido 538 mm.                           | 1       | 1       | 2           | 2        | 2        | 2        | 2            |
| 54  | 6001507022 | Reactancia, 20 w  | 1       | 1       | 2           |          |          |          |              |
| 54  | 6001507023 | Reactancia, 40 w  |         |         |             | 1        | 1        | 1        | 1            |
| 55  | 6001507016 | Cebador, 4 - 80 w   | 1       | 1       | 2           | 2        | 2        | 2        | 2            |
| 57  | 6001801008 | Estante parrilla GN 2/1, Gastronorma 2/1 530x650                                    | 3       | 3       | 4           | 6        | 6        | 6        | 6            |
| 60  | 6009990039 | Bisagra intermedia armario, apertura derecha, inox                                  |         |         |             |          |          | 1        |              |
| 60  | 6009990017 | Bisagra intermedia armario, apertura izquierda, inox                                |         | 1       | 1           |          | 1        | 1        |              |
| 61  | 6009990016 | Puerta grande armario refrigeración, Acero inox.695x1565                            | 1       |         |             | 2        |          |          | 2            |
| 62  | 6001401108 | Burlete puerta pequeña armario, 640x740 UR-260-M                                    |         | 2       | 2           |          | 2        | 4        |              |
| 64  | 6009991521 | Conjunto Bisagra armario, TRS / 1D Doble muelle 2,8 mm                              | 2       | 2       | 2           | 4        | 4        | 4        | 4            |
| 122 | 6009990271 | Embellecedor evaporador, Acero inox 1283x115  |         |         |             | 1        | 1        | 1        | 1            |
| 122 | 6009990273 | Embellecedor evaporador, Acero inox 583x115   | 1       | 1       | 2           |          |          |          | 2            |
| 125 | 6009990282 | Protección evaporación automática, Acero 1340x150                                   |         |         |             | 1        | 1        | 1        |              |
| 125 | 6009990281 | Protección evaporación automática, Acero 640x150                                    | 1       | 1       | 2           |          |          |          |              |
| 126 | 6009992012 | Bandeja evaporación automática, Acero inox 600x100                                  | 1       | 1       | 2           | 1        | 1        | 1        | 1            |
| 127 | 6001508006 | Resistencia evaporación automática, 41 w  | 1       | 1       | 2           | 1        | 1        | 1        | 1            |