

---

DESPIECE TECNICO

---

**Lavavajillas  
Lavevaisselle  
Dishwasher  
Geschirrspüler  
Lavastoviglie**

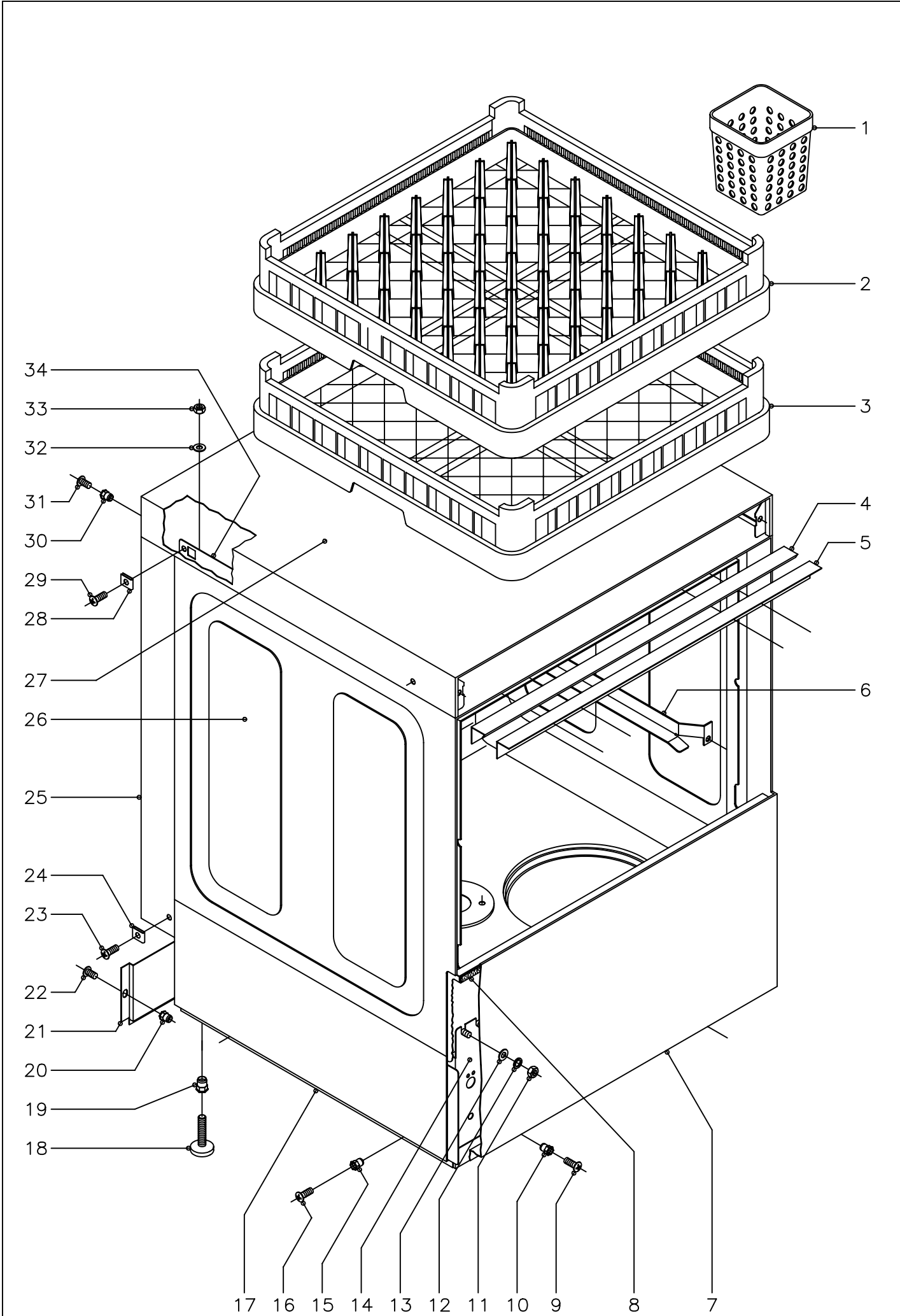
**Modelos:**

**FI-30**

*Junio 2003 June*



**Fagor Industrial**

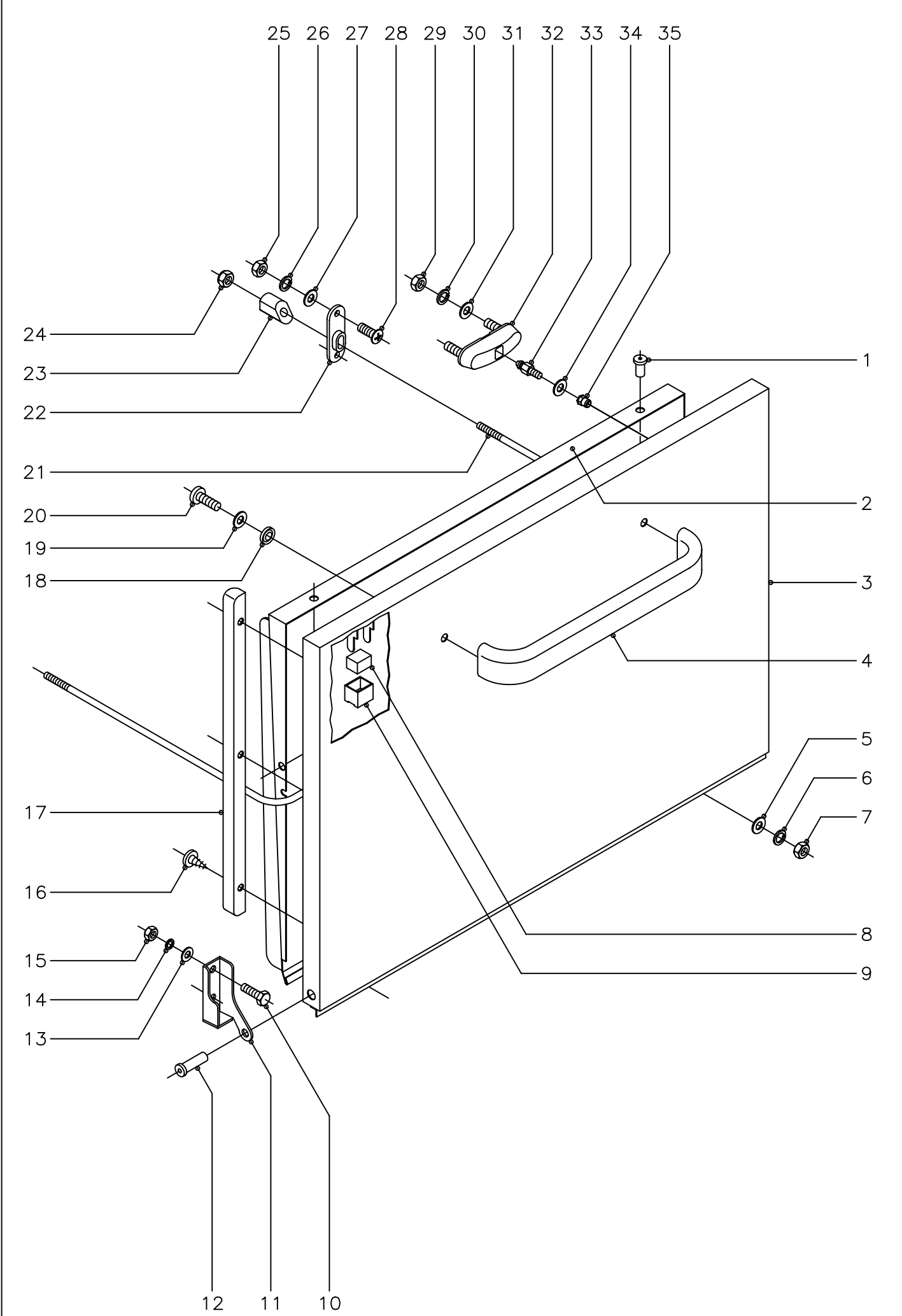


|                   |  |                 |   |             |  |
|-------------------|--|-----------------|---|-------------|--|
| N plano<br>C-1366 | Firma<br> | Fecha<br>6-2003 | Aparato<br>MUEBLE<br>LAVAVAJILLAS FI-30 | Lamina<br>1 | Fagor Industrial S.Coop. <b>FAGOR</b><br>Oñate |
|-------------------|--|-----------------|---|-------------|--|

| MOD. |         | LAVAVAJILLAS FRONTAL      |       | ZONA  | MUEBLE |  |  |  |  |  | PLANO | C-1366 |
|------|---------|---------------------------|-------|-------|--------|--|--|--|--|--|-------|--------|
| ITEM | CODIGO  | DENOMINACION              | TEXTO | FI-30 |        |  |  |  |  |  |       | NOTAS  |
| 1    | Z655314 | Cestillo cubiertos        |       | 1     |        |  |  |  |  |  |       |        |
| 2    | Z655302 | Cestillo platos CP-16/18  |       | 1     |        |  |  |  |  |  |       |        |
| 3    | Z655301 | Cestillo base CT-10       |       | 1     |        |  |  |  |  |  |       |        |
| 4    | Z200315 | Perfil caja               |       | 1     |        |  |  |  |  |  |       |        |
| 5    | Z200309 | Escuadra sujecion perfil  |       | 1     |        |  |  |  |  |  |       |        |
| 6    | Z200305 | Guia cestillo derecha     |       | 1     |        |  |  |  |  |  |       |        |
| s/n  | Z200306 | Guia cestillo izquierda   |       | 1     |        |  |  |  |  |  |       |        |
|      | Q232040 | Arandela plana A-6        |       | 4     |        |  |  |  |  |  |       |        |
|      | Q162040 | Tuerca exagonal M-6       |       | 4     |        |  |  |  |  |  |       |        |
| 7    | Z202913 | Panel frontal             |       | 1     |        |  |  |  |  |  |       |        |
| 8    | Z200313 | Perfil goma esponjosa     |       | 1     |        |  |  |  |  |  |       |        |
| 9    | Q152004 | Tornillo aplastado M-5x13 |       | 2     |        |  |  |  |  |  |       |        |
| 10   | Q221342 | Remache exagonal M-5      |       | 2     |        |  |  |  |  |  |       |        |
| 11   | Q162040 | Tuerca exagonal M-6       |       | 8     |        |  |  |  |  |  |       |        |
| 12   | Q262040 | Arandela muelle A-6       |       | 8     |        |  |  |  |  |  |       |        |
| 13   | Q232040 | Arandela plana A-6        |       | 8     |        |  |  |  |  |  |       |        |
| 14   | Z200101 | Armazon completo          |       | 1     |        |  |  |  |  |  |       |        |
| 15   | Q221342 | Remache exagonal M-5      |       | 4     |        |  |  |  |  |  |       |        |
| 16   | Q152004 | Tornillo aplastado M-5x13 |       | 4     |        |  |  |  |  |  |       |        |
| 17   | Z202903 | Panel lateral izquierdo   |       | 1     |        |  |  |  |  |  |       |        |
| s/n  | Z202902 | Panel lateral derecho     |       | 1     |        |  |  |  |  |  |       |        |
| 18   | Z200105 | Pata regulable            |       | 4     |        |  |  |  |  |  |       |        |
| 19   | Q221345 | Remache exagonal M-10     |       | 4     |        |  |  |  |  |  |       |        |
| 20   | Q221342 | Remache exagonal M-5      |       | 2     |        |  |  |  |  |  |       |        |
| 21   | Z202912 | Panel posterior inferior  |       | 1     |        |  |  |  |  |  |       |        |
| 22   | Q152004 | Tornillo aplastado M-5x13 |       | 2     |        |  |  |  |  |  |       |        |
| 23   | Q152004 | Tornillo aplastado M-5x13 |       | 2     |        |  |  |  |  |  |       |        |
| 24   | Q221012 | Tuerca rapida M-5         |       | 2     |        |  |  |  |  |  |       |        |
| 25   | Z202904 | Panel posterior           |       | 1     |        |  |  |  |  |  |       |        |

|      |                      |      |        |       |        |
|------|----------------------|------|--------|-------|--------|
| MOD. | LAVAVAJILLAS FRONTAL | ZONA | MUEBLE | PLANO | C-1366 |
|------|----------------------|------|--------|-------|--------|

| ITEM | CODIGO  | DENOMINACION              | TEXTO | FI-30 |  |  |  |  |  |  |  |  |  | NOTAS |
|------|---------|---------------------------|-------|-------|--|--|--|--|--|--|--|--|--|-------|
| 26   | Z200325 | Caja soldada              |       | 1     |  |  |  |  |  |  |  |  |  |       |
| 27   | Z202906 | Tapa                      |       | 1     |  |  |  |  |  |  |  |  |  |       |
| 28   | Q221012 | Tuerca rapida M-5         |       | 4     |  |  |  |  |  |  |  |  |  |       |
| 29   | Q152004 | Tornillo aplastado M-5x13 |       | 4     |  |  |  |  |  |  |  |  |  |       |
| 30   | Q221342 | Remache exagonal M-5      |       | 2     |  |  |  |  |  |  |  |  |  |       |
| 31   | Q152004 | Tornillo aplastado M-5x13 |       | 2     |  |  |  |  |  |  |  |  |  |       |
| 32   | Q232040 | Arandela plana A-6        |       | 4     |  |  |  |  |  |  |  |  |  |       |
| 33   | Q162040 | Tuerca exagonal M-6       |       | 4     |  |  |  |  |  |  |  |  |  |       |
| 34   | Z200307 | Escuadra amarre tapa      |       | 2     |  |  |  |  |  |  |  |  |  |       |
|      |         |                           |       |       |  |  |  |  |  |  |  |  |  |       |
|      |         |                           |       |       |  |  |  |  |  |  |  |  |  |       |
|      |         |                           |       |       |  |  |  |  |  |  |  |  |  |       |
|      |         |                           |       |       |  |  |  |  |  |  |  |  |  |       |
|      |         |                           |       |       |  |  |  |  |  |  |  |  |  |       |
|      |         |                           |       |       |  |  |  |  |  |  |  |  |  |       |
|      |         |                           |       |       |  |  |  |  |  |  |  |  |  |       |
|      |         |                           |       |       |  |  |  |  |  |  |  |  |  |       |
|      |         |                           |       |       |  |  |  |  |  |  |  |  |  |       |
|      |         |                           |       |       |  |  |  |  |  |  |  |  |  |       |
|      |         |                           |       |       |  |  |  |  |  |  |  |  |  |       |
|      |         |                           |       |       |  |  |  |  |  |  |  |  |  |       |
|      |         |                           |       |       |  |  |  |  |  |  |  |  |  |       |
|      |         |                           |       |       |  |  |  |  |  |  |  |  |  |       |
|      |         |                           |       |       |  |  |  |  |  |  |  |  |  |       |
|      |         |                           |       |       |  |  |  |  |  |  |  |  |  |       |
|      |         |                           |       |       |  |  |  |  |  |  |  |  |  |       |
|      |         |                           |       |       |  |  |  |  |  |  |  |  |  |       |
|      |         |                           |       |       |  |  |  |  |  |  |  |  |  |       |
|      |         |                           |       |       |  |  |  |  |  |  |  |  |  |       |

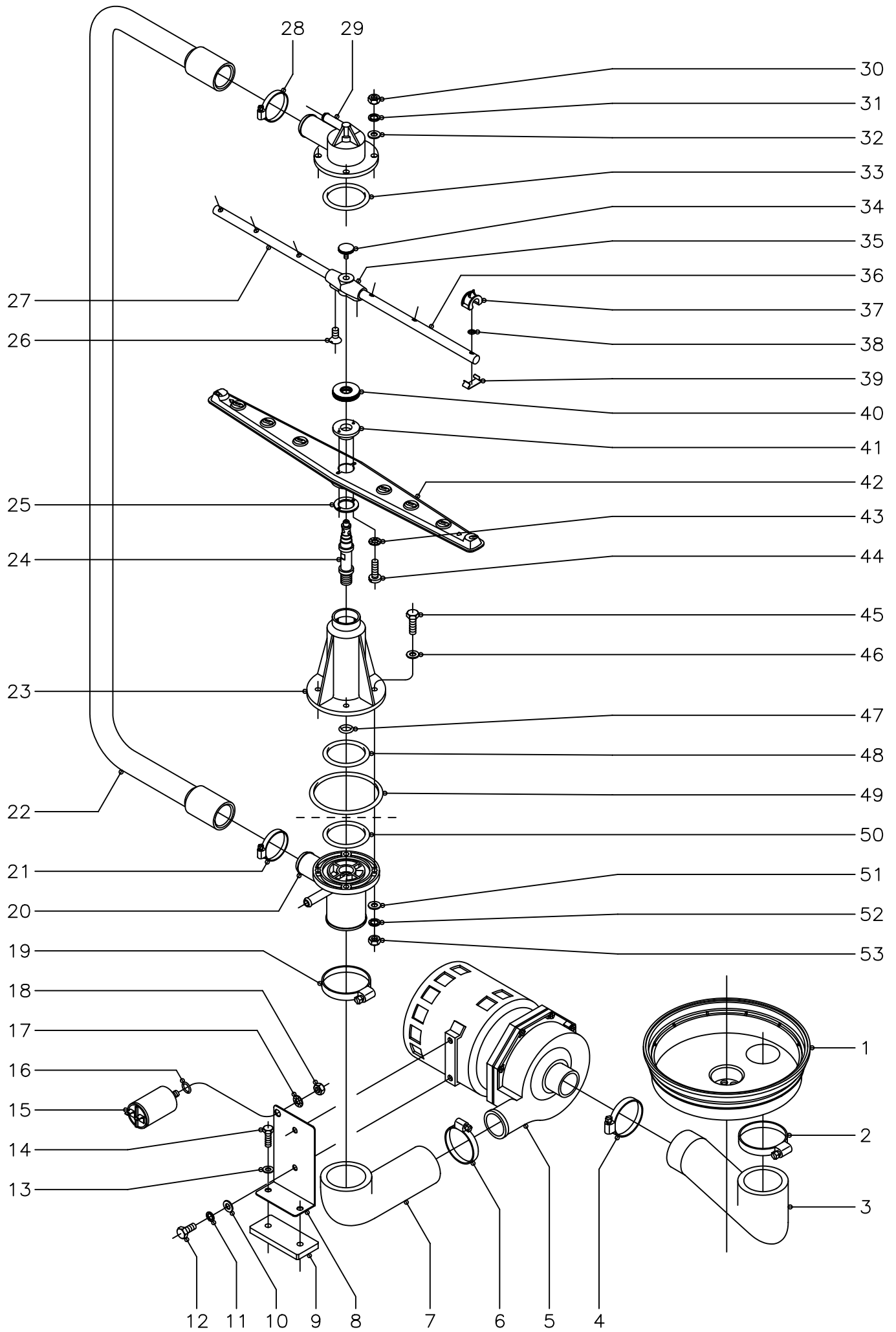


|                   |                             |                 |   |             |  |
|-------------------|-----------------------------|-----------------|---|-------------|--|
| N plano<br>C-1367 | Firma<br><i>[Signature]</i> | Fecha<br>6-2003 | Aparato<br>PUERTA<br>LAVAVAJILLAS FI-30 | Lamina<br>2 | Fagor Industrial S.Coop. <b>FAGOR</b><br>Oñate |
|-------------------|-----------------------------|-----------------|---|-------------|--|

| MOD. |         | LAVAVAJILLAS FRONTAL      |       | ZONA  | PUERTA |  |  |  |  |  |  | PLANO | C-1367 |
|------|---------|---------------------------|-------|-------|--------|--|--|--|--|--|--|-------|--------|
| ITEM | CODIGO  | DENOMINACION              | TEXTO | FI-30 |        |  |  |  |  |  |  |       | NOTAS  |
| 1    | Q412000 | Remache tubular Ø4x8      |       | 4     |        |  |  |  |  |  |  |       |        |
| 2    | Z200545 | Contrapuerta soldada      |       | 1     |        |  |  |  |  |  |  |       |        |
| 3    | Z200541 | Puerta soldada            |       | 1     |        |  |  |  |  |  |  |       |        |
| 4    | Z200512 | Asa puerta                |       | 1     |        |  |  |  |  |  |  |       |        |
| 5    | Q232030 | Arandela plana A-5        |       | 2     |        |  |  |  |  |  |  |       |        |
| 6    | Q262030 | Arandela muelle A-5       |       | 2     |        |  |  |  |  |  |  |       |        |
| 7    | Q162030 | Tuerca exagonal M-5       |       | 2     |        |  |  |  |  |  |  |       |        |
| 8    | Z200506 | Iman                      |       | 1     |        |  |  |  |  |  |  |       |        |
| 9    | Z200507 | Protector iman            |       | 1     |        |  |  |  |  |  |  |       |        |
| 10   | Q012042 | Tornillo exagonal M-6x15  |       | 4     |        |  |  |  |  |  |  |       |        |
| 11   | Z400514 | Bisagra izquierda         |       | 1     |        |  |  |  |  |  |  |       |        |
| s/n  | Z400515 | Bisagra derecha           |       | 1     |        |  |  |  |  |  |  |       |        |
| 12   | Z400516 | Eje puerta                |       | 2     |        |  |  |  |  |  |  |       |        |
| 13   | Q232040 | Arandela plana A-6        |       | 4     |        |  |  |  |  |  |  |       |        |
| 14   | Q262040 | Arandela muelle A-6       |       | 4     |        |  |  |  |  |  |  |       |        |
| 15   | Q162040 | Tuerca exagonal M-6       |       | 4     |        |  |  |  |  |  |  |       |        |
| 16   | Q082005 | Tornillo chapa 4,2x13     |       | 6     |        |  |  |  |  |  |  |       |        |
| 17   | Z200524 | Marco puerta              |       | 2     |        |  |  |  |  |  |  |       |        |
| 18   | Q308002 | Arandela dubo A-6         |       | 2     |        |  |  |  |  |  |  |       |        |
| 19   | Q232040 | Arandela plana A-6        |       | 2     |        |  |  |  |  |  |  |       |        |
| 20   | Q032041 | Tornillo alomado M-6x10   |       | 2     |        |  |  |  |  |  |  |       |        |
| 21   | Z200521 | Varilla tensor            |       | 1     |        |  |  |  |  |  |  |       |        |
| 22   | Z200310 | Soporte tensor            |       | 2     |        |  |  |  |  |  |  |       |        |
| 23   | Z200522 | Tensor de puerta          |       | 2     |        |  |  |  |  |  |  |       |        |
| 24   | Q222012 | Tuerca autoblocante M-6   |       | 2     |        |  |  |  |  |  |  |       |        |
| 25   | Q162030 | Tuerca exagonal M-5       |       | 4     |        |  |  |  |  |  |  |       |        |
| 26   | Q262030 | Arandela muelle A-5       |       | 4     |        |  |  |  |  |  |  |       |        |
| 27   | Q232030 | Arandela plana A-5        |       | 4     |        |  |  |  |  |  |  |       |        |
| 28   | Q152004 | Tornillo aplastado M-5x13 |       | 4     |        |  |  |  |  |  |  |       |        |

|      |                      |      |        |       |        |
|------|----------------------|------|--------|-------|--------|
| MOD. | LAVAVAJILLAS FRONTAL | ZONA | PUERTA | PLANO | C-1367 |
|------|----------------------|------|--------|-------|--------|

| ITEM | CODIGO  | DENOMINACION            | TEXTO | F1-30 |  |  |  |  |  |  |  |  |  | NOTAS |
|------|---------|-------------------------|-------|-------|--|--|--|--|--|--|--|--|--|-------|
| 29   | Q222012 | Tuerca autoblocante M-6 |       | 4     |  |  |  |  |  |  |  |  |  |       |
| 30   | Q262040 | Arandela muelle A-6     |       | 4     |  |  |  |  |  |  |  |  |  |       |
| 31   | Q232040 | Arandela plana A-6      |       | 4     |  |  |  |  |  |  |  |  |  |       |
| 32   | Z200607 | Conjunto cierre puerta  |       | 2     |  |  |  |  |  |  |  |  |  |       |
| 33   | Z200601 | Enganche cierre         |       | 2     |  |  |  |  |  |  |  |  |  |       |
| 34   | Q232030 | Arandela plana A-5      |       | 2     |  |  |  |  |  |  |  |  |  |       |
| 35   | Q222011 | Remache exagonal M-5    |       | 2     |  |  |  |  |  |  |  |  |  |       |
|      |         |                         |       |       |  |  |  |  |  |  |  |  |  |       |
|      |         |                         |       |       |  |  |  |  |  |  |  |  |  |       |
|      |         |                         |       |       |  |  |  |  |  |  |  |  |  |       |
|      |         |                         |       |       |  |  |  |  |  |  |  |  |  |       |
|      |         |                         |       |       |  |  |  |  |  |  |  |  |  |       |
|      |         |                         |       |       |  |  |  |  |  |  |  |  |  |       |
|      |         |                         |       |       |  |  |  |  |  |  |  |  |  |       |
|      |         |                         |       |       |  |  |  |  |  |  |  |  |  |       |
|      |         |                         |       |       |  |  |  |  |  |  |  |  |  |       |
|      |         |                         |       |       |  |  |  |  |  |  |  |  |  |       |
|      |         |                         |       |       |  |  |  |  |  |  |  |  |  |       |
|      |         |                         |       |       |  |  |  |  |  |  |  |  |  |       |
|      |         |                         |       |       |  |  |  |  |  |  |  |  |  |       |
|      |         |                         |       |       |  |  |  |  |  |  |  |  |  |       |
|      |         |                         |       |       |  |  |  |  |  |  |  |  |  |       |
|      |         |                         |       |       |  |  |  |  |  |  |  |  |  |       |
|      |         |                         |       |       |  |  |  |  |  |  |  |  |  |       |
|      |         |                         |       |       |  |  |  |  |  |  |  |  |  |       |

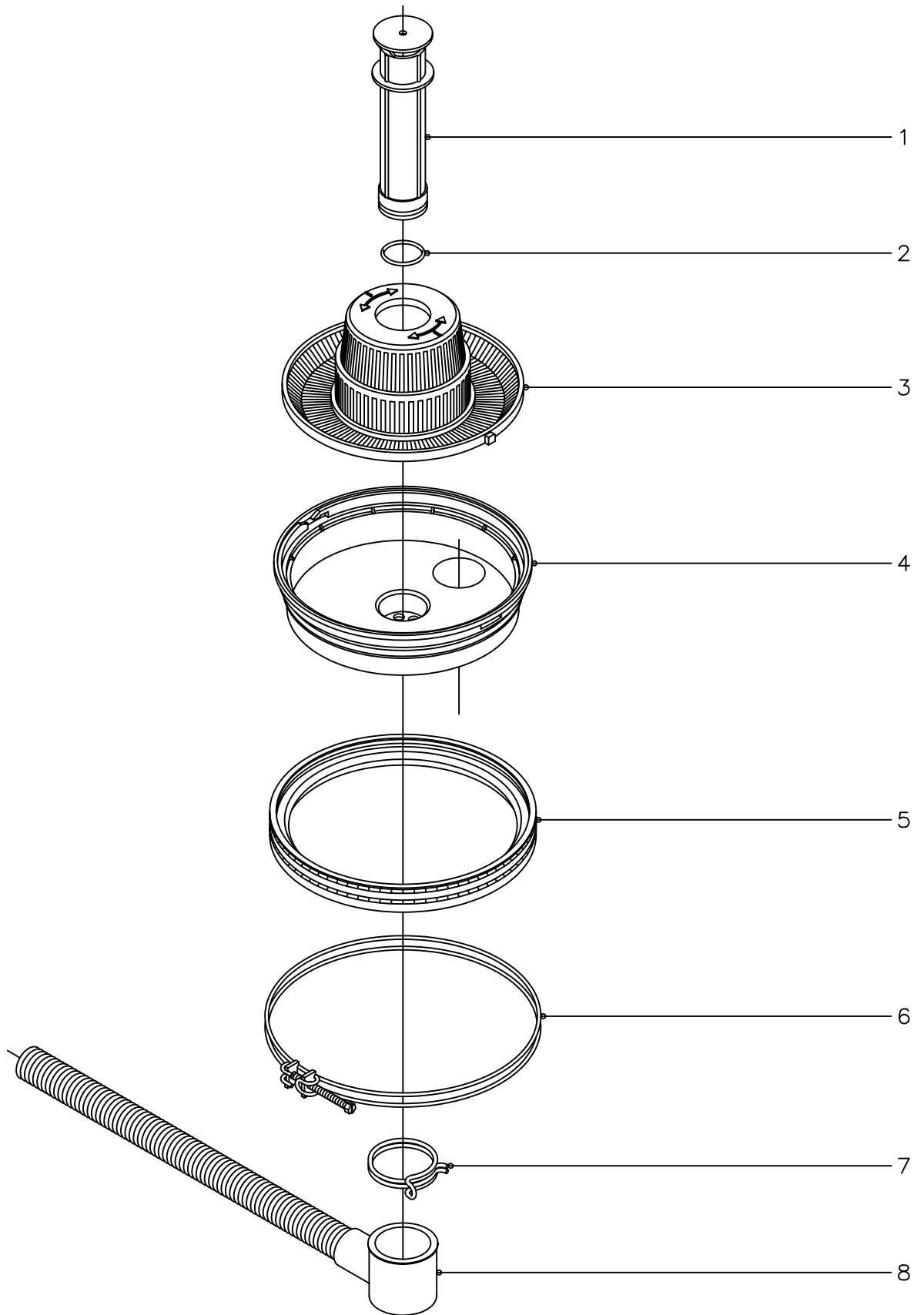


|                   |  |                 |  |             |  |
|-------------------|--|-----------------|--|-------------|--|
| N plano<br>C-1368 | Firma<br> | Fecha<br>6-2003 | Aparato<br>PARTE FUNCIONAL DE LAVADO<br>LAVAVAJILLAS FI-30 | Lamina<br>3 | Fagor Industrial S.Coop. <b>FAGOR</b> <br>Ofate |
|-------------------|--|-----------------|--|-------------|--|



| MOD. |         | LAVAVAJILLAS FRONTAL              |       | ZONA  | PARTE FUNCIONAL DE LAVADO |  |  |  |  |  |  | PLANO | C-1368 |
|------|---------|-----------------------------------|-------|-------|---------------------------|--|--|--|--|--|--|-------|--------|
| ITEM | CODIGO  | DENOMINACION                      | TEXTO | FI-30 |                           |  |  |  |  |  |  |       | NOTAS  |
| 1    | Z200906 | Cubeta                            |       | 1     |                           |  |  |  |  |  |  |       |        |
| 2    | Q881324 | Abrazadera 50 - 70                |       | 1     |                           |  |  |  |  |  |  |       |        |
| 3    | Z200904 | Codo aspiracion                   |       | 1     |                           |  |  |  |  |  |  |       |        |
| 4    | Q881307 | Abrazadera 40 - 60                |       | 1     |                           |  |  |  |  |  |  |       |        |
| 5    | Z201011 | Bomba de lavado ( 230 V., 50Hz. ) |       | 1     |                           |  |  |  |  |  |  |       |        |
| 5    | Z203511 | Bomba de lavado ( 230 V., 60Hz. ) |       | 1     |                           |  |  |  |  |  |  |       |        |
|      | Z201081 | Conjunto junta y reten de bomba   |       | 1     |                           |  |  |  |  |  |  |       |        |
|      | Z201082 | Turbina 50 Hz. ( Ø88mm. )         |       | 1     |                           |  |  |  |  |  |  |       |        |
|      | Z203571 | Turbina 60 Hz. ( Ø77mm. )         |       | 1     |                           |  |  |  |  |  |  |       |        |
| 6    | Q881307 | Abrazadera 40 - 60                |       | 1     |                           |  |  |  |  |  |  |       |        |
| 7    | Z200905 | Codo impulsion                    |       | 1     |                           |  |  |  |  |  |  |       |        |
| 8    | Z201002 | Soporte motobomba                 |       | 1     |                           |  |  |  |  |  |  |       |        |
| 9    | Z201003 | Base bomba lavado                 |       | 1     |                           |  |  |  |  |  |  |       |        |
| 10   | Q232040 | Arandela plana A-6                |       | 2     |                           |  |  |  |  |  |  |       |        |
| 11   | Q262040 | Arandela muelle A-6               |       | 2     |                           |  |  |  |  |  |  |       |        |
| 12   | Q012041 | Tornillo exagonal M-6x10          |       | 2     |                           |  |  |  |  |  |  |       |        |
| 13   | Q232030 | Arandela plana A-5                |       | 2     |                           |  |  |  |  |  |  |       |        |
| 14   | Q012033 | Tornillo exagonal M-5x20          |       | 2     |                           |  |  |  |  |  |  |       |        |
| 15   | V321300 | Condensador 10 mF.                |       | 1     |                           |  |  |  |  |  |  |       |        |
| 16   | Q307048 | Junta torica Ø16,18xØ9,12xØ3,53   |       | 1     |                           |  |  |  |  |  |  |       |        |
| 17   | Q242050 | Arandela abanico A-8              |       | 1     |                           |  |  |  |  |  |  |       |        |
| 18   | Q162050 | Tuerca exagonal M-8               |       | 1     |                           |  |  |  |  |  |  |       |        |
| 19   | Q881324 | Abrazadera 50 - 70                |       | 1     |                           |  |  |  |  |  |  |       |        |
| 20   | Z200703 | Pasamuros                         |       | 1     |                           |  |  |  |  |  |  |       |        |
| 21   | Q881305 | Abrazadera 25 - 40                |       | 1     |                           |  |  |  |  |  |  |       |        |
| 22   | Z200706 | Arbol de lavado                   |       | 1     |                           |  |  |  |  |  |  |       |        |
| 23   | Z200701 | Soporte distribuidor inferior     |       | 1     |                           |  |  |  |  |  |  |       |        |
| 24   | Z200704 | Eje central                       |       | 2     |                           |  |  |  |  |  |  |       |        |
| 25   | Z650711 | Amarre enganche distribuidor      |       | 2     |                           |  |  |  |  |  |  |       |        |

| MOD. |         | LAVAVAJILLAS FRONTAL             |       | ZONA  | PARTE FUNCIONAL DE LAVADO |  |  |  |  |  |  | PLANO | C-1368 |
|------|---------|----------------------------------|-------|-------|---------------------------|--|--|--|--|--|--|-------|--------|
| ITEM | CODIGO  | DENOMINACION                     | TEXTO | F1-30 |                           |  |  |  |  |  |  |       | NOTAS  |
| 26   | Q152024 | Tornillo avellanado M-4x8        |       | 4     |                           |  |  |  |  |  |  |       |        |
| 27   | Z201902 | Rama aclarado izquierda          |       | 2     |                           |  |  |  |  |  |  |       |        |
| 28   | Q881305 | Abrazadera 25 - 40               |       | 1     |                           |  |  |  |  |  |  |       |        |
| 29   | Z200707 | Soporte distribuidor superior    |       | 1     |                           |  |  |  |  |  |  |       |        |
| 30   | Q162040 | Tuerca exagonal M-6              |       | 4     |                           |  |  |  |  |  |  |       |        |
| 31   | Q262040 | Arandela muelle A-6              |       | 4     |                           |  |  |  |  |  |  |       |        |
| 32   | Q232040 | Arandela plana A-6               |       | 4     |                           |  |  |  |  |  |  |       |        |
| 33   | Q307052 | Junta torica Ø60,83xØ50,17xØ5,33 |       | 1     |                           |  |  |  |  |  |  |       |        |
| 34   | Q152016 | Tornillo especial M-5x0,8        |       | 2     |                           |  |  |  |  |  |  |       |        |
| 35   | Z201903 | Soporte ramas aclarado           |       | 2     |                           |  |  |  |  |  |  |       |        |
| 36   | Z201901 | Rama aclarado derecha            |       | 2     |                           |  |  |  |  |  |  |       |        |
| 37   | Z201905 | Tobera aclarado                  |       | 12    |                           |  |  |  |  |  |  |       |        |
| 38   | Q307036 | Junta torica Ø5,28xØ8,84xØ1,78   |       | 12    |                           |  |  |  |  |  |  |       |        |
| 39   | Z201906 | Eganche tobera aclarado          |       | 12    |                           |  |  |  |  |  |  |       |        |
| 40   | Z200705 | Tuerca especial M-14x1           |       | 2     |                           |  |  |  |  |  |  |       |        |
| 41   | Z650704 | Eganche distribuidor             |       | 2     |                           |  |  |  |  |  |  |       |        |
| 42   | Z650716 | Distribuidor montado             |       | 2     |                           |  |  |  |  |  |  |       |        |
| 43   | Q242010 | Arandela abanico A-3             |       | 4     |                           |  |  |  |  |  |  |       |        |
| 44   | Q152015 | Tornillo alomado M-3x6           |       | 4     |                           |  |  |  |  |  |  |       |        |
| 45   | Q012046 | Tornillo exagonal M-6x40         |       | 4     |                           |  |  |  |  |  |  |       |        |
| 46   | Q306050 | Arandela fibra roja Ø11xØ6,2x1,5 |       | 4     |                           |  |  |  |  |  |  |       |        |
| 47   | Q307050 | Junta torica Ø19,18xØ13,94xØ2,62 |       | 1     |                           |  |  |  |  |  |  |       |        |
| 48   | Q307052 | Junta torica Ø60,83xØ50,17xØ5,33 |       | 1     |                           |  |  |  |  |  |  |       |        |
| 49   | Q307049 | Junta torica Ø95,75xØ85,09xØ5,33 |       | 1     |                           |  |  |  |  |  |  |       |        |
| 50   | Q307052 | Junta torica Ø60,83xØ50,17xØ5,33 |       | 1     |                           |  |  |  |  |  |  |       |        |
| 51   | Q232040 | Arandela plana A-6               |       | 4     |                           |  |  |  |  |  |  |       |        |
| 52   | Q262040 | Arandela muelle A-6              |       | 4     |                           |  |  |  |  |  |  |       |        |
| 53   | Q162040 | Tuerca exagonal M-6              |       | 4     |                           |  |  |  |  |  |  |       |        |
|      |         |                                  |       |       |                           |  |  |  |  |  |  |       |        |



N plano  
C-1369

Firma  
*[Signature]*

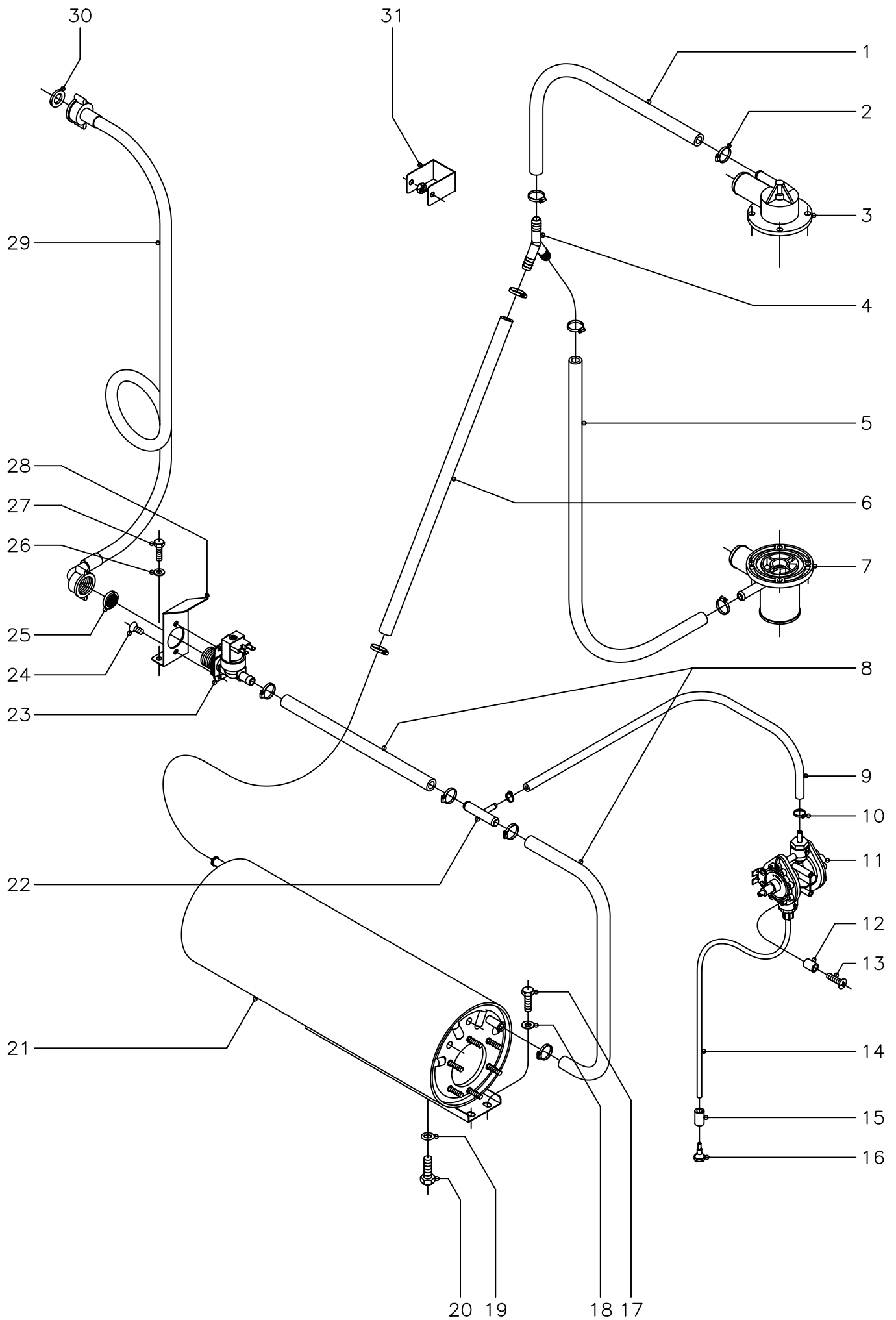
Fecha  
6-2003

Aparato PARTE FUNCIONAL DESAGUE (POR GRAVEDAD)  
LAVAVAJILLAS FI-30

Lamina  
4

Fagor Industrial S.Coop. **FAGOR**   
Oñate

| MOD. |         | LAVAVAJILLAS FRONTAL             |       | ZONA  | PARTE FUNCIONAL DESAGÜE |  |  |  |  |  |  | PLANO | C-1369 |  |
|------|---------|----------------------------------|-------|-------|-------------------------|--|--|--|--|--|--|-------|--------|--|
| ITEM | CODIGO  | DENOMINACION                     | TEXTO | FI-30 |                         |  |  |  |  |  |  |       | NOTAS  |  |
| 1    | Z200909 | Aliviadero                       |       | 1     |                         |  |  |  |  |  |  |       |        |  |
| 2    | Q307051 | Junta torica Ø41,41xØ36,17xØ2,62 |       | 1     |                         |  |  |  |  |  |  |       |        |  |
| 3    | Z200901 | Filtro aspiracion                |       | 1     |                         |  |  |  |  |  |  |       |        |  |
| 4    | Z200906 | Cubeta                           |       | 1     |                         |  |  |  |  |  |  |       |        |  |
| 5    | Z200907 | Junta cubeta                     |       | 1     |                         |  |  |  |  |  |  |       |        |  |
| 6    | Z200908 | Abrazadera cubeta                |       | 1     |                         |  |  |  |  |  |  |       |        |  |
| 7    | Q901308 | Abrazadera elastica 56 - 58,8    |       | 1     |                         |  |  |  |  |  |  |       |        |  |
| 8    | Z200910 | Manguera desagüe                 |       | 1     |                         |  |  |  |  |  |  |       |        |  |
|      |         |                                  |       |       |                         |  |  |  |  |  |  |       |        |  |
|      |         |                                  |       |       |                         |  |  |  |  |  |  |       |        |  |
|      |         |                                  |       |       |                         |  |  |  |  |  |  |       |        |  |
|      |         |                                  |       |       |                         |  |  |  |  |  |  |       |        |  |
|      |         |                                  |       |       |                         |  |  |  |  |  |  |       |        |  |
|      |         |                                  |       |       |                         |  |  |  |  |  |  |       |        |  |
|      |         |                                  |       |       |                         |  |  |  |  |  |  |       |        |  |
|      |         |                                  |       |       |                         |  |  |  |  |  |  |       |        |  |
|      |         |                                  |       |       |                         |  |  |  |  |  |  |       |        |  |
|      |         |                                  |       |       |                         |  |  |  |  |  |  |       |        |  |
|      |         |                                  |       |       |                         |  |  |  |  |  |  |       |        |  |
|      |         |                                  |       |       |                         |  |  |  |  |  |  |       |        |  |
|      |         |                                  |       |       |                         |  |  |  |  |  |  |       |        |  |
|      |         |                                  |       |       |                         |  |  |  |  |  |  |       |        |  |
|      |         |                                  |       |       |                         |  |  |  |  |  |  |       |        |  |



N plano  
C-1370

Firma  
*[Signature]*

Fecha  
6-2003

Aparato  
PARTE FUNCIONAL ACLARADO  
LAVAVAJILLAS FI-30

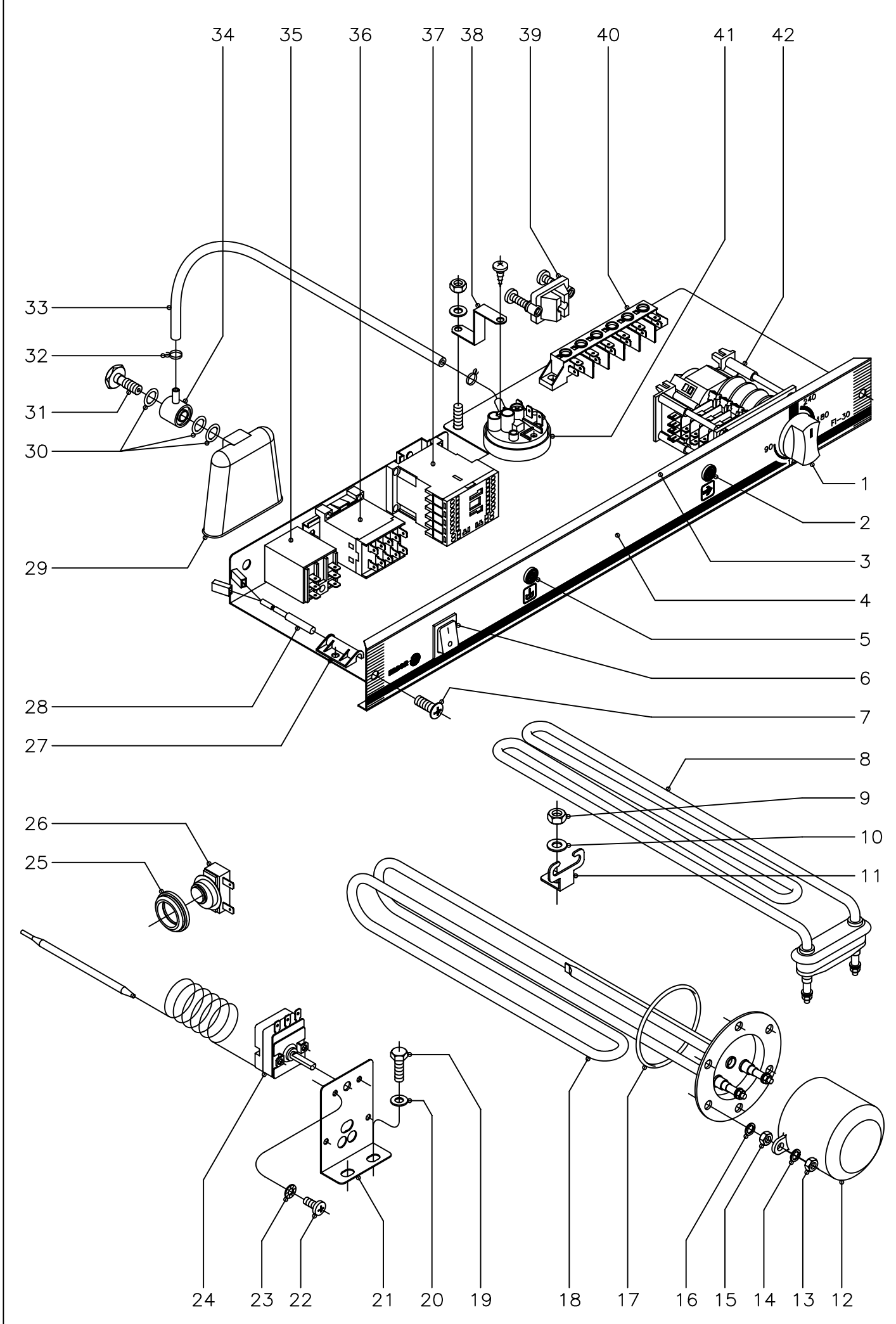
Lamina  
5

Fagor Industrial S.Coop. **FAGOR**  
Onate

| MOD. |         | LAVAVAJILLAS FRONTAL            |       | ZONA  | PARTE FUNCIONAL ACLARADO |  |  |  |  |  |  | PLANO | C-1370 |
|------|---------|---------------------------------|-------|-------|--------------------------|--|--|--|--|--|--|-------|--------|
| ITEM | CODIGO  | DENOMINACION                    | TEXTO | FI-30 |                          |  |  |  |  |  |  |       | NOTAS  |
| 1    | 3676900 | Tubo goma negra Ø17xØ10x360     |       | 1     |                          |  |  |  |  |  |  |       |        |
| 2    | Q881302 | Abrazadera 12 - 20              |       | 10    |                          |  |  |  |  |  |  |       |        |
| 3    | Z200707 | Soporte distribuidor superior   |       | 1     |                          |  |  |  |  |  |  |       |        |
| 4    | Z201106 | Racord en "Y"                   |       | 1     |                          |  |  |  |  |  |  |       |        |
| 5    | 3676900 | Tubo goma negra Ø17xØ10x780     |       | 1     |                          |  |  |  |  |  |  |       |        |
| 6    | 3676900 | Tubo goma negra Ø17xØ10x580     |       | 1     |                          |  |  |  |  |  |  |       |        |
| 7    | Z200703 | Pasamuros                       |       | 1     |                          |  |  |  |  |  |  |       |        |
| 8    | 3676900 | Tubo goma negra Ø17xØ10x80      |       | 2     |                          |  |  |  |  |  |  |       |        |
| 9    | 3704000 | Tubo goma negra Ø10,5xØ5x620    |       | 1     |                          |  |  |  |  |  |  |       |        |
| 10   | Q881308 | Abrazadera 8 - 14               |       | 2     |                          |  |  |  |  |  |  |       |        |
| 11   | Z651123 | Dosificador tensoactivo         |       | 1     |                          |  |  |  |  |  |  |       |        |
| 12   | Z203007 | Casquillo                       |       | 2     |                          |  |  |  |  |  |  |       |        |
| 13   | Q041324 | Tornillo avellanado M-4x25      |       | 2     |                          |  |  |  |  |  |  |       |        |
| 14   | 3699200 | Conducto tensoactivo Ø6xØ4x650  |       | 1     |                          |  |  |  |  |  |  |       |        |
| 15   | Z701152 | Peso filtro                     |       | 1     |                          |  |  |  |  |  |  |       |        |
| 16   | Z601153 | Filtro aspiracion tensoactivo   |       | 1     |                          |  |  |  |  |  |  |       |        |
| 17   | Q012031 | Tornillo exagonal M-5x10        |       | 2     |                          |  |  |  |  |  |  |       |        |
| 18   | Q232030 | Arandela plana A-5              |       | 2     |                          |  |  |  |  |  |  |       |        |
| 19   | Q307048 | Junta torica Ø16,18xØ9,12xØ3,53 |       | 1     |                          |  |  |  |  |  |  |       |        |
| 20   | Q012063 | Tornillo exagonal M-10x20       |       | 1     |                          |  |  |  |  |  |  |       |        |
| 21   | Z201710 | Cuerpo calderin                 |       | 1     |                          |  |  |  |  |  |  |       |        |
| 22   | Z601157 | Toma presion                    |       | 1     |                          |  |  |  |  |  |  |       |        |
| 23   | Z701135 | Electrovalvula entrada de agua  |       | 1     |                          |  |  |  |  |  |  |       |        |
| 24   | Q152024 | Tornillo avellanado M-4x8       |       | 2     |                          |  |  |  |  |  |  |       |        |
| 25   | Z701132 | Filtro junta                    |       | 1     |                          |  |  |  |  |  |  |       |        |
| 26   | Q232030 | Arandela plana A-5              |       | 2     |                          |  |  |  |  |  |  |       |        |
| 27   | Q012031 | Tornillo exagonal M-5x10        |       | 2     |                          |  |  |  |  |  |  |       |        |
| 28   | Z201101 | Escuadra amarre electrovalvula  |       | 1     |                          |  |  |  |  |  |  |       |        |
| 29   | Z602121 | Manguera entrada de agua        |       | 1     |                          |  |  |  |  |  |  |       |        |

|             |                             |             |                                 |              |               |
|-------------|-----------------------------|-------------|---------------------------------|--------------|---------------|
| <b>MOD.</b> | <b>LAVAVAJILLAS FRONTAL</b> | <b>ZONA</b> | <b>PARTE FUNCIONAL ACLARADO</b> | <b>PLANO</b> | <b>C-1370</b> |
|-------------|-----------------------------|-------------|---------------------------------|--------------|---------------|

| <b>ITEM</b> | <b>CODIGO</b> | <b>DENOMINACION</b>   | <b>TEXTO</b> | <b>FI-30</b> |  |  |  |  |  |  |  |  |  |  |  |  |  |  |  |  |  |  |  |  | <b>NOTAS</b> |
|-------------|---------------|-----------------------|--------------|--------------|--|--|--|--|--|--|--|--|--|--|--|--|--|--|--|--|--|--|--|--|--------------|
| 30          | Q307031       | Arandela junta        |              | 1            |  |  |  |  |  |  |  |  |  |  |  |  |  |  |  |  |  |  |  |  |              |
| 31          | R722631       | Fijacion conducciones |              | 1            |  |  |  |  |  |  |  |  |  |  |  |  |  |  |  |  |  |  |  |  |              |
|             | Q162040       | Tuerca exagonal M-6   |              | 1            |  |  |  |  |  |  |  |  |  |  |  |  |  |  |  |  |  |  |  |  |              |
|             |               |                       |              |              |  |  |  |  |  |  |  |  |  |  |  |  |  |  |  |  |  |  |  |  |              |
|             |               |                       |              |              |  |  |  |  |  |  |  |  |  |  |  |  |  |  |  |  |  |  |  |  |              |
|             |               |                       |              |              |  |  |  |  |  |  |  |  |  |  |  |  |  |  |  |  |  |  |  |  |              |
|             |               |                       |              |              |  |  |  |  |  |  |  |  |  |  |  |  |  |  |  |  |  |  |  |  |              |
|             |               |                       |              |              |  |  |  |  |  |  |  |  |  |  |  |  |  |  |  |  |  |  |  |  |              |
|             |               |                       |              |              |  |  |  |  |  |  |  |  |  |  |  |  |  |  |  |  |  |  |  |  |              |
|             |               |                       |              |              |  |  |  |  |  |  |  |  |  |  |  |  |  |  |  |  |  |  |  |  |              |
|             |               |                       |              |              |  |  |  |  |  |  |  |  |  |  |  |  |  |  |  |  |  |  |  |  |              |
|             |               |                       |              |              |  |  |  |  |  |  |  |  |  |  |  |  |  |  |  |  |  |  |  |  |              |
|             |               |                       |              |              |  |  |  |  |  |  |  |  |  |  |  |  |  |  |  |  |  |  |  |  |              |
|             |               |                       |              |              |  |  |  |  |  |  |  |  |  |  |  |  |  |  |  |  |  |  |  |  |              |
|             |               |                       |              |              |  |  |  |  |  |  |  |  |  |  |  |  |  |  |  |  |  |  |  |  |              |
|             |               |                       |              |              |  |  |  |  |  |  |  |  |  |  |  |  |  |  |  |  |  |  |  |  |              |
|             |               |                       |              |              |  |  |  |  |  |  |  |  |  |  |  |  |  |  |  |  |  |  |  |  |              |
|             |               |                       |              |              |  |  |  |  |  |  |  |  |  |  |  |  |  |  |  |  |  |  |  |  |              |
|             |               |                       |              |              |  |  |  |  |  |  |  |  |  |  |  |  |  |  |  |  |  |  |  |  |              |
|             |               |                       |              |              |  |  |  |  |  |  |  |  |  |  |  |  |  |  |  |  |  |  |  |  |              |
|             |               |                       |              |              |  |  |  |  |  |  |  |  |  |  |  |  |  |  |  |  |  |  |  |  |              |
|             |               |                       |              |              |  |  |  |  |  |  |  |  |  |  |  |  |  |  |  |  |  |  |  |  |              |

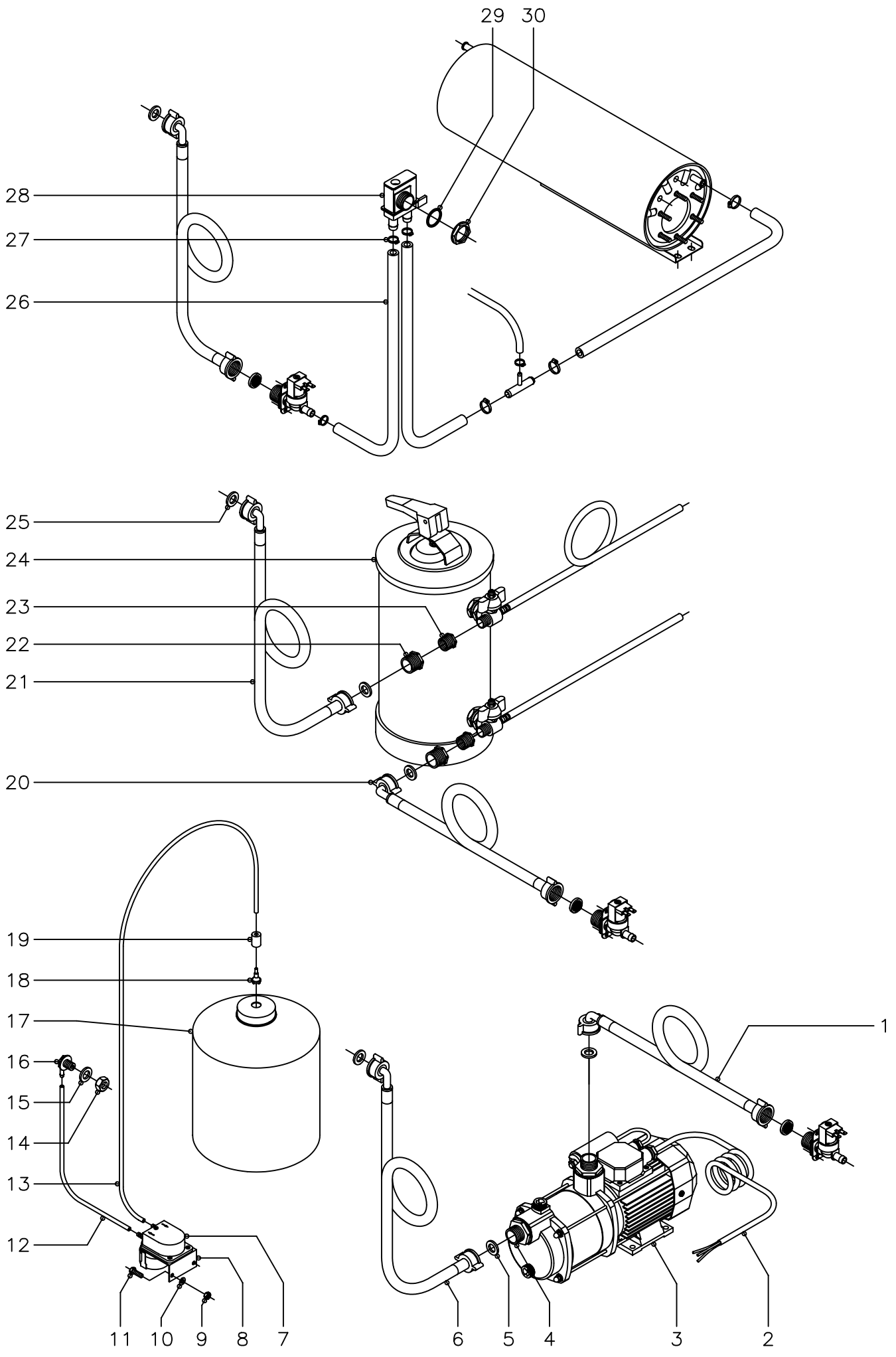


|                   |  |                 |  |             |  |
|-------------------|--|-----------------|--|-------------|--|
| N plano<br>C-1371 | Firma<br> | Fecha<br>6-2003 | Aparato<br>PARTE FUNCIONAL ELECTRICA<br>LAVAVAJILLAS FI-30 | Lamina<br>6 | Fagor Industrial S.Coop. <b>FAGOR</b><br>Onate |
|-------------------|--|-----------------|--|-------------|--|



| MOD. |         | LAVAVAJILLAS FRONTAL              |       | ZONA  | PARTE FUNCIONAL ELECTRICA |  |  |  |  |  |  | PLANO | C-1371 |
|------|---------|-----------------------------------|-------|-------|---------------------------|--|--|--|--|--|--|-------|--------|
| ITEM | CODIGO  | DENOMINACION                      | TEXTO | FI-30 |                           |  |  |  |  |  |  |       | NOTAS  |
| 1    | R663062 | Boton de mando completo           |       | 1     |                           |  |  |  |  |  |  |       |        |
| 2    | R693056 | Piloto ambar                      |       | 1     |                           |  |  |  |  |  |  |       |        |
| 3    | Z202907 | Frente extraible                  |       | 1     |                           |  |  |  |  |  |  |       |        |
| 4    | Z202909 | Embellecedor adhesivo             |       | 1     |                           |  |  |  |  |  |  |       |        |
| 5    | R693055 | Piloto verde                      |       | 1     |                           |  |  |  |  |  |  |       |        |
| 6    | Z203033 | Interruptor general               |       | 1     |                           |  |  |  |  |  |  |       |        |
| 7    | Q152004 | Tornillo aplastado M-5x13         |       | 2     |                           |  |  |  |  |  |  |       |        |
| 8    | Z203601 | Resistencia tanque 2800 W. 230V.  |       | 1     |                           |  |  |  |  |  |  |       |        |
| 9    | Q162040 | Tuerca exagonal M-6               |       | 1     |                           |  |  |  |  |  |  |       |        |
| 10   | Q232040 | Arandela plana A-6                |       | 1     |                           |  |  |  |  |  |  |       |        |
| 11   | Z603602 | Soporte resistencia tanque        |       | 1     |                           |  |  |  |  |  |  |       |        |
| 12   | Z651731 | Caperuza resistencia calderin     |       | 1     |                           |  |  |  |  |  |  |       |        |
| 13   | Q163140 | Tuerca exagonal M-6               |       | 2     |                           |  |  |  |  |  |  |       |        |
| 14   | Q262040 | Arandela muelle A-6               |       | 2     |                           |  |  |  |  |  |  |       |        |
| 15   | Q163140 | Tuerca exagonal M-6               |       | 6     |                           |  |  |  |  |  |  |       |        |
| 16   | Q262040 | Arandela muelle A-6               |       | 6     |                           |  |  |  |  |  |  |       |        |
| 17   | Q307035 | Junta torica AN-36                |       | 1     |                           |  |  |  |  |  |  |       |        |
| 18   | Z201706 | Resistencia calderin 2800 W.230V. |       | 1     |                           |  |  |  |  |  |  |       |        |
| 19   | Q012031 | Tornillo exagonal M-5x10          |       | 2     |                           |  |  |  |  |  |  |       |        |
| 20   | Q232030 | Arandela plana A-5                |       | 2     |                           |  |  |  |  |  |  |       |        |
| 21   | Z203047 | Soporte termostatos               |       | 1     |                           |  |  |  |  |  |  |       |        |
| 22   | Q153111 | Tornillo alomado M-4x8            |       | 2     |                           |  |  |  |  |  |  |       |        |
| 23   | Q242020 | Arandela abanico A-4              |       | 2     |                           |  |  |  |  |  |  |       |        |
| 24   | Z203014 | Termostato calderin               |       | 1     |                           |  |  |  |  |  |  |       |        |
| 25   | N503017 | Soporte termostato                |       | 1     |                           |  |  |  |  |  |  |       |        |
| 26   | Z718405 | Termostato doble ( tanque )       |       | 1     |                           |  |  |  |  |  |  |       |        |
| 27   | Z203010 | Amarre interruptor magnetico      |       | 1     |                           |  |  |  |  |  |  |       |        |
| 28   | Z203009 | Interruptor magnetico             |       | 1     |                           |  |  |  |  |  |  |       |        |
| 29   | Z203011 | Camara presostato                 |       | 1     |                           |  |  |  |  |  |  |       |        |

| MOD. |         | LAVAVAJILLAS FRONTAL                 |       | ZONA  | PARTE FUNCIONAL ELECTRICA |  |  |  |  |  |  | PLANO | C-1371 |
|------|---------|--------------------------------------|-------|-------|---------------------------|--|--|--|--|--|--|-------|--------|
| ITEM | CODIGO  | DENOMINACION                         | TEXTO | FI-30 |                           |  |  |  |  |  |  |       | NOTAS  |
| 30   | Q307003 | Junta torica Ø16,01xØ10,77xØ2,62     |       | 3     |                           |  |  |  |  |  |  |       |        |
| 31   | Z203013 | Tornillo presostato                  |       | 1     |                           |  |  |  |  |  |  |       |        |
| 32   | P102154 | Brida elastica para tubo             |       | 2     |                           |  |  |  |  |  |  |       |        |
| 33   | 3702400 | Tubo goma negra Ø8xØ4x1300           |       | 1     |                           |  |  |  |  |  |  |       |        |
| 34   | Z203012 | Empalme presostato                   |       | 1     |                           |  |  |  |  |  |  |       |        |
| 35   | Z203062 | Rele puerta 16 A., 230 V., 50/60 Hz. |       | 1     |                           |  |  |  |  |  |  |       |        |
| 36   | Z213007 | Contactador tanque 230V.,50/60 Hz.   |       | 1     |                           |  |  |  |  |  |  |       |        |
| 37   | Z203050 | Contactador calderin 230V.,50/60 Hz. |       | 1     |                           |  |  |  |  |  |  |       |        |
| 38   | Z602923 | Soporte presostato                   |       | 1     |                           |  |  |  |  |  |  |       |        |
|      | Q232030 | Arandela plana A-5                   |       | 1     |                           |  |  |  |  |  |  |       |        |
|      | Q162030 | Tuerca exagonal M-5                  |       | 1     |                           |  |  |  |  |  |  |       |        |
| 39   | Z203020 | Retenedor de cable                   |       | 1     |                           |  |  |  |  |  |  |       |        |
| 40   | R253044 | Regleta de conexiones                |       | 1     |                           |  |  |  |  |  |  |       |        |
| 41   | Z203023 | Presostato de nivel                  |       | 1     |                           |  |  |  |  |  |  |       |        |
|      | Q082032 | Tornillo alomado BZ-3,5x9,5          |       | 1     |                           |  |  |  |  |  |  |       |        |
| 42   | Z203030 | Programador ciclo                    |       | 1     |                           |  |  |  |  |  |  |       |        |
|      | Z203007 | Casquillo                            |       | 2     |                           |  |  |  |  |  |  |       |        |
|      | Q041324 | Tornillo avellanado M-4x25           |       | 2     |                           |  |  |  |  |  |  |       |        |
|      |         |                                      |       |       |                           |  |  |  |  |  |  |       |        |
|      |         |                                      |       |       |                           |  |  |  |  |  |  |       |        |
|      |         |                                      |       |       |                           |  |  |  |  |  |  |       |        |
|      |         |                                      |       |       |                           |  |  |  |  |  |  |       |        |
|      |         |                                      |       |       |                           |  |  |  |  |  |  |       |        |
|      |         |                                      |       |       |                           |  |  |  |  |  |  |       |        |
|      |         |                                      |       |       |                           |  |  |  |  |  |  |       |        |
|      |         |                                      |       |       |                           |  |  |  |  |  |  |       |        |
|      |         |                                      |       |       |                           |  |  |  |  |  |  |       |        |
|      |         |                                      |       |       |                           |  |  |  |  |  |  |       |        |



| MOD.   |         | LAVAVAJILLAS FRONTAL               |       | ZONA  | ACCESORIOS PARA LAVAVAJILLAS |  |  |  |  |  | PLANO | C-1372 |
|--|---------|------------------------------------|-------|-------|------------------------------|--|--|--|--|--|-------|--------|
| ITEM   | CODIGO  | DENOMINACION                       | TEXTO | FI-30 |                              |  |  |  |  |  |       | NOTAS  |
| <b>1210305187 KIT BOMBA PRESION</b>          |         |                                    |       |       |                              |  |  |  |  |  |       |        |
| 1  | -       | Manguera de maquina                |       | -     |                              |  |  |  |  |  |       |        |
| 2  | Z209510 | Cableado bomba de presion          |       | 1     |                              |  |  |  |  |  |       |        |
| 3  | Z209508 | Bomba de presion ( 230 V., 50 Hz.) |       | 1     |                              |  |  |  |  |  |       |        |
| 3  | Z209508 | Bomba de presion ( 230 V., 60 Hz.) |       | 1     |                              |  |  |  |  |  |       |        |
| 4  | Z209509 | Manguito                           |       | 2     |                              |  |  |  |  |  |       |        |
| 5  | Q307031 | Junta manguera entrada agua        |       | 2     |                              |  |  |  |  |  |       |        |
| 6  | Z602121 | Manguera entrada de agua           |       | 1     |                              |  |  |  |  |  |       |        |
| <b>1210305188 KIT DOSIFICADOR DETERGENTE</b> |         |                                    |       |       |                              |  |  |  |  |  |       |        |
| 7  | Z209521 | Dosificador de detergente          |       | 1     |                              |  |  |  |  |  |       |        |
|  | Q082005 | Tornillo chapa 4,2x13              |       | 2     |                              |  |  |  |  |  |       |        |
| 8  | Z209518 | Soporte dosificador de detergente  |       | 1     |                              |  |  |  |  |  |       |        |
| 9  | Q162030 | Tuerca exagonal M-5                |       | 2     |                              |  |  |  |  |  |       |        |
| 10   | Q232030 | Arandela plana A-5                 |       | 2     |                              |  |  |  |  |  |       |        |
| 11   | Q012031 | Tornillo exagonal M-5x10           |       | 2     |                              |  |  |  |  |  |       |        |
| 12   | 3699200 | Conducto detergente Ø6xØ4x500      |       | 1     |                              |  |  |  |  |  |       |        |
| 13   | 3699200 | Conducto detergente Ø6xØ4x2000     |       | 1     |                              |  |  |  |  |  |       |        |
| 14   | Q162070 | Tuerca exagonal M-12               |       | 1     |                              |  |  |  |  |  |       |        |
| 15   | Q307031 | Arandela junta Ø24xØ14x3           |       | 1     |                              |  |  |  |  |  |       |        |
| 16   | Z230902 | Pasamuros detergente               |       | 1     |                              |  |  |  |  |  |       |        |
| 17   | -       | Garrafa detergente                 |       | -     |                              |  |  |  |  |  |       |        |
| 18   | Z601153 | Filtro aspiracion                  |       | 1     |                              |  |  |  |  |  |       |        |
| 19   | Z701152 | Peso filtro                        |       | 1     |                              |  |  |  |  |  |       |        |
|  |         |                                    |       |       |                              |  |  |  |  |  |       |        |
|  |         |                                    |       |       |                              |  |  |  |  |  |       |        |
|  |         |                                    |       |       |                              |  |  |  |  |  |       |        |
|  |         |                                    |       |       |                              |  |  |  |  |  |       |        |

| MOD. |         | LAVAVAJILLAS FRONTAL                       |       | ZONA  | ACCESORIOS PARA LAVAVAJILLAS |  |  |  |  | PLANO | C-1372 |       |
|------|---------|--|-------|-------|------------------------------|--|--|--|--|-------|--------|-------|
| ITEM | CODIGO  | DENOMINACION                               | TEXTO | FI-30 |                              |  |  |  |  |       |        | NOTAS |
|      |         | <b>1210305191 KIT DESCALCIFICADOR 8l.</b>  |       |       |                              |  |  |  |  |       |        |       |
| 20   | -       | Manguera de maquina                        |       | -     |                              |  |  |  |  |       |        |       |
| 21   | Z602121 | Manguera entrada de agua                   |       | 1     |                              |  |  |  |  |       |        |       |
| 22   | Z209515 | Tuerca reduccion 3/4" - 1/2"               |       | 2     |                              |  |  |  |  |       |        |       |
| 23   | Z209516 | Tuerca reduccion 1/2" - 3/8"               |       | 2     |                              |  |  |  |  |       |        |       |
| 24   | Z209511 | Descalcificador 8l.                        |       | 1     |                              |  |  |  |  |       |        |       |
| 25   | Q307031 | Junta manguera entrada agua                |       | 2     |                              |  |  |  |  |       |        |       |
|      |         | <b>1210305186 KIT DESCALCIFICADOR 12l.</b> |       |       |                              |  |  |  |  |       |        |       |
| 20   | -       | Manguera de maquina                        |       | -     |                              |  |  |  |  |       |        |       |
| 21   | Z602121 | Manguera entrada de agua                   |       | 1     |                              |  |  |  |  |       |        |       |
| 22   | Z209515 | Tuerca reduccion 3/4" - 1/2"               |       | 2     |                              |  |  |  |  |       |        |       |
| 23   | Z209516 | Tuerca reduccion 1/2" - 3/8"               |       | 2     |                              |  |  |  |  |       |        |       |
| 24   | Z209507 | Descalcificador 12l.                       |       | 1     |                              |  |  |  |  |       |        |       |
| 25   | Q307031 | Junta manguera entrada agua                |       | 2     |                              |  |  |  |  |       |        |       |
|      |         | <b>1210305192 KIT DESCALCIFICADOR 16l.</b> |       |       |                              |  |  |  |  |       |        |       |
| 20   | -       | Manguera de maquina                        |       | -     |                              |  |  |  |  |       |        |       |
| 21   | Z602121 | Manguera entrada de agua                   |       | 1     |                              |  |  |  |  |       |        |       |
| 22   | Z209515 | Tuerca reduccion 3/4" - 1/2"               |       | 2     |                              |  |  |  |  |       |        |       |
| 23   | Z209516 | Tuerca reduccion 1/2" - 3/8"               |       | 2     |                              |  |  |  |  |       |        |       |
| 24   | Z209512 | Descalcificador 16l.                       |       | 1     |                              |  |  |  |  |       |        |       |
| 25   | Q307031 | Junta manguera entrada agua                |       | 2     |                              |  |  |  |  |       |        |       |
|      |         |  |       |       |                              |  |  |  |  |       |        |       |
|      |         |  |       |       |                              |  |  |  |  |       |        |       |
|      |         |  |       |       |                              |  |  |  |  |       |        |       |
|      |         |  |       |       |                              |  |  |  |  |       |        |       |
|      |         |  |       |       |                              |  |  |  |  |       |        |       |

MOD. LAVAVAJILLAS FRONTAL

ZONA

ACCESORIOS PARA LAVAVAJILLAS

PLANO

C-1372

| ITEM | CODIGO  | DENOMINACION                | TEXTO | FI-30 |  |  |  |  |  |  |  |  |  | NOTAS |
|------|---|-----------------------------|-------|-------|--|--|--|--|--|--|--|--|--|-------|
|      | <b><u>1210305189 KIT VALVULA ANTIRRETORNO</u></b> |                             |       |       |  |  |  |  |  |  |  |  |  |       |
| 26   | 3676900   | Tube goma negra Ø17xØ10x950 |       | 2     |  |  |  |  |  |  |  |  |  |       |
| 27   | Q881302   | Abrazadera 12 - 20          |       | 2     |  |  |  |  |  |  |  |  |  |       |
| 28   | Z231105   | Valvula antirretorno        |       | 1     |  |  |  |  |  |  |  |  |  |       |
| 29   | Q307029   | Arandela junta Ø31xØ26,5x2  |       | 1     |  |  |  |  |  |  |  |  |  |       |
| 30   | Q223016   | Tuerca roscada PG-21        |       | 1     |  |  |  |  |  |  |  |  |  |       |
|      |   |                             |       |       |  |  |  |  |  |  |  |  |  |       |
|      |   |                             |       |       |  |  |  |  |  |  |  |  |  |       |
|      |   |                             |       |       |  |  |  |  |  |  |  |  |  |       |
|      |   |                             |       |       |  |  |  |  |  |  |  |  |  |       |
|      |   |                             |       |       |  |  |  |  |  |  |  |  |  |       |
|      |   |                             |       |       |  |  |  |  |  |  |  |  |  |       |
|      |   |                             |       |       |  |  |  |  |  |  |  |  |  |       |
|      |   |                             |       |       |  |  |  |  |  |  |  |  |  |       |
|      |   |                             |       |       |  |  |  |  |  |  |  |  |  |       |
|      |   |                             |       |       |  |  |  |  |  |  |  |  |  |       |
|      |   |                             |       |       |  |  |  |  |  |  |  |  |  |       |
|      |   |                             |       |       |  |  |  |  |  |  |  |  |  |       |
|      |   |                             |       |       |  |  |  |  |  |  |  |  |  |       |
|      |   |                             |       |       |  |  |  |  |  |  |  |  |  |       |
|      |   |                             |       |       |  |  |  |  |  |  |  |  |  |       |
|      |   |                             |       |       |  |  |  |  |  |  |  |  |  |       |
|      |   |                             |       |       |  |  |  |  |  |  |  |  |  |       |
|      |   |                             |       |       |  |  |  |  |  |  |  |  |  |       |
|      |   |                             |       |       |  |  |  |  |  |  |  |  |  |       |

|      |                      |      |        |       |  |
|------|----------------------|------|--------|-------|--|
| MOD. | LAVAVAJILLAS FRONTAL | ZONA | VARIOS | PLANO |  |
|------|----------------------|------|--------|-------|--|

| ITEM | CODIGO  | DENOMINACION                 | TEXTO | FI-30 |  |  |  |  |  |  |  |  | NOTAS                |
|------|---------|------------------------------|-------|-------|--|--|--|--|--|--|--|--|----------------------|
|      | Z206131 | Folleto de instrucciones     |       | 1     |  |  |  |  |  |  |  |  |                      |
|      | Z203032 | Esquema electrico adhesivo   |       | 1     |  |  |  |  |  |  |  |  | ( Plano HC-16498-3 ) |
|      | Z203051 | Esquema electrico de montaje |       | 1     |  |  |  |  |  |  |  |  | ( Plano HC-17262-1 ) |
|      | Z603041 | Cable de alimentacion        |       | 1     |  |  |  |  |  |  |  |  |                      |
|      | Z203025 | Instalacion electrica        |       | 1     |  |  |  |  |  |  |  |  |                      |
|      |         |                              |       |       |  |  |  |  |  |  |  |  |                      |
|      |         |                              |       |       |  |  |  |  |  |  |  |  |                      |
|      |         |                              |       |       |  |  |  |  |  |  |  |  |                      |
|      |         |                              |       |       |  |  |  |  |  |  |  |  |                      |
|      |         |                              |       |       |  |  |  |  |  |  |  |  |                      |
|      |         |                              |       |       |  |  |  |  |  |  |  |  |                      |
|      |         |                              |       |       |  |  |  |  |  |  |  |  |                      |
|      |         |                              |       |       |  |  |  |  |  |  |  |  |                      |
|      |         |                              |       |       |  |  |  |  |  |  |  |  |                      |
|      |         |                              |       |       |  |  |  |  |  |  |  |  |                      |
|      |         |                              |       |       |  |  |  |  |  |  |  |  |                      |
|      |         |                              |       |       |  |  |  |  |  |  |  |  |                      |
|      |         |                              |       |       |  |  |  |  |  |  |  |  |                      |
|      |         |                              |       |       |  |  |  |  |  |  |  |  |                      |
|      |         |                              |       |       |  |  |  |  |  |  |  |  |                      |
|      |         |                              |       |       |  |  |  |  |  |  |  |  |                      |
|      |         |                              |       |       |  |  |  |  |  |  |  |  |                      |
|      |         |                              |       |       |  |  |  |  |  |  |  |  |                      |
|      |         |                              |       |       |  |  |  |  |  |  |  |  |                      |
|      |         |                              |       |       |  |  |  |  |  |  |  |  |                      |
|      |         |                              |       |       |  |  |  |  |  |  |  |  |                      |
|      |         |                              |       |       |  |  |  |  |  |  |  |  |                      |
|      |         |                              |       |       |  |  |  |  |  |  |  |  |                      |

|      |                      |      |  |  |  |  |  |  |       |        |  |  |
|------|----------------------|------|--|--|--|--|--|--|-------|--------|--|--|
| MOD. | LAVAVAJILLAS FRONTAL | ZONA | PIEZAS ESPECIFICAS PARA LA VERSION<br>( 220/240 V., II , 60Hz. ) |  |  |  |  |  | PLANO | C-1368 |  |  |
|------|----------------------|------|--|--|--|--|--|--|-------|--------|--|--|

| ITEM | CODIGO  | DENOMINACION                 | TEXTO | FI-30 |  |  |  |  |  |  |  |  |  | NOTAS |
|------|---------|------------------------------|-------|-------|--|--|--|--|--|--|--|--|--|-------|
| 5    | Z203511 | Bomba de lavado 230V., 60Hz. |       | 1     |  |  |  |  |  |  |  |  |  |       |
|      |         |                              |       |       |  |  |  |  |  |  |  |  |  |       |
|      |         |                              |       |       |  |  |  |  |  |  |  |  |  |       |
|      |         |                              |       |       |  |  |  |  |  |  |  |  |  |       |
|      |         |                              |       |       |  |  |  |  |  |  |  |  |  |       |
|      |         |                              |       |       |  |  |  |  |  |  |  |  |  |       |
|      |         |                              |       |       |  |  |  |  |  |  |  |  |  |       |
|      |         |                              |       |       |  |  |  |  |  |  |  |  |  |       |
|      |         |                              |       |       |  |  |  |  |  |  |  |  |  |       |
|      |         |                              |       |       |  |  |  |  |  |  |  |  |  |       |
|      |         |                              |       |       |  |  |  |  |  |  |  |  |  |       |
|      |         |                              |       |       |  |  |  |  |  |  |  |  |  |       |
|      |         |                              |       |       |  |  |  |  |  |  |  |  |  |       |
|      |         |                              |       |       |  |  |  |  |  |  |  |  |  |       |
|      |         |                              |       |       |  |  |  |  |  |  |  |  |  |       |
|      |         |                              |       |       |  |  |  |  |  |  |  |  |  |       |
|      |         |                              |       |       |  |  |  |  |  |  |  |  |  |       |
|      |         |                              |       |       |  |  |  |  |  |  |  |  |  |       |
|      |         |                              |       |       |  |  |  |  |  |  |  |  |  |       |
|      |         |                              |       |       |  |  |  |  |  |  |  |  |  |       |
|      |         |                              |       |       |  |  |  |  |  |  |  |  |  |       |
|      |         |                              |       |       |  |  |  |  |  |  |  |  |  |       |
|      |         |                              |       |       |  |  |  |  |  |  |  |  |  |       |



|             |                                     |             |                                       |  |  |  |  |  |              |  |  |  |
|-------------|-------------------------------------|-------------|---------------------------------------|--|--|--|--|--|--------------|--|--|--|
| <b>MOD.</b> | <b>LAVAVAJILLAS FRONTAL AZKOYEN</b> | <b>ZONA</b> | <b>PIEZAS ESPECIFICAS ( AZKOYEN )</b> |  |  |  |  |  | <b>PLANO</b> |  |  |  |
|-------------|-------------------------------------|-------------|---------------------------------------|--|--|--|--|--|--------------|--|--|--|

| ITEM | CODIGO  | DENOMINACION                         | TEXTO | A-320<br>( FI-30 ) |  |  |  |  |  |  |  |  |  | NOTAS |
|------|---------|--------------------------------------|-------|--------------------|--|--|--|--|--|--|--|--|--|-------|
|      | Z218612 | Adhesivo panel Azkoyen               |       | 1                  |  |  |  |  |  |  |  |  |  |       |
|      | Z208604 | Embellecedor adhesivo portamandos    |       | 1                  |  |  |  |  |  |  |  |  |  |       |
|      | Z658813 | Boton de mando con anillo comp.      |       | 1                  |  |  |  |  |  |  |  |  |  |       |
|      | Z658607 | Indicador de mando                   |       | 1                  |  |  |  |  |  |  |  |  |  |       |
|      | Z658602 | Asa puerta                           |       | 1                  |  |  |  |  |  |  |  |  |  |       |
|      | Z208603 | Adhesivo puerta                      |       | 1                  |  |  |  |  |  |  |  |  |  |       |
|      | Z208608 | Libro de instrucciones               |       | 1                  |  |  |  |  |  |  |  |  |  |       |
|      | Z208610 | Hoja garantia Azkoyen                |       | 1                  |  |  |  |  |  |  |  |  |  |       |
|      | Z658609 | Palet Azkoyen                        |       | 1                  |  |  |  |  |  |  |  |  |  |       |
|      | Z448616 | Pegatina toma detergente             |       | 1                  |  |  |  |  |  |  |  |  |  |       |
|      | Z230902 | Pasamuros detergente                 |       | 1                  |  |  |  |  |  |  |  |  |  |       |
|      | Q306024 | Arandela junta Ø18xØ12,5x1,5         |       | 1                  |  |  |  |  |  |  |  |  |  |       |
|      | Q162070 | Tuerca exagonal M-12                 |       | 1                  |  |  |  |  |  |  |  |  |  |       |
|      | Z448613 | Cable dosificador Azkoyen            |       | 1                  |  |  |  |  |  |  |  |  |  |       |
|      | Z448614 | Conducto aspiracion c/filtro Azkoyen |       | 1                  |  |  |  |  |  |  |  |  |  |       |
|      |         |                                      |       |                    |  |  |  |  |  |  |  |  |  |       |
|      |         |                                      |       |                    |  |  |  |  |  |  |  |  |  |       |
|      |         |                                      |       |                    |  |  |  |  |  |  |  |  |  |       |
|      |         |                                      |       |                    |  |  |  |  |  |  |  |  |  |       |
|      |         |                                      |       |                    |  |  |  |  |  |  |  |  |  |       |
|      |         |                                      |       |                    |  |  |  |  |  |  |  |  |  |       |
|      |         |                                      |       |                    |  |  |  |  |  |  |  |  |  |       |
|      |         |                                      |       |                    |  |  |  |  |  |  |  |  |  |       |
|      |         |                                      |       |                    |  |  |  |  |  |  |  |  |  |       |
|      |         |                                      |       |                    |  |  |  |  |  |  |  |  |  |       |
|      |         |                                      |       |                    |  |  |  |  |  |  |  |  |  |       |
|      |         |                                      |       |                    |  |  |  |  |  |  |  |  |  |       |
|      |         |                                      |       |                    |  |  |  |  |  |  |  |  |  |       |
|      |         |                                      |       |                    |  |  |  |  |  |  |  |  |  |       |

| MOD. |         | LAVAVAJILLAS FRONTAL AZKOYEN         |       | ZONA                 | PIEZAS ESPECIFICAS ( AZKOYEN ) |  |  |  |  |  |  | PLANO |       |
|------|---------|--------------------------------------|-------|----------------------|--------------------------------|--|--|--|--|--|--|-------|-------|
| ITEM | CODIGO  | DENOMINACION                         | TEXTO | A-320-B<br>( FI-30 ) |                                |  |  |  |  |  |  |       | NOTAS |
|      | Z228812 | Panel frontal B Azkoyen              |       | 1                    |                                |  |  |  |  |  |  |       |       |
|      | Z228813 | Adhesivo panel B                     |       | 1                    |                                |  |  |  |  |  |  |       |       |
|      | Z448616 | Pegatina toma detergente             |       | 1                    |                                |  |  |  |  |  |  |       |       |
|      | Z230902 | Pasamuros detergente                 |       | 1                    |                                |  |  |  |  |  |  |       |       |
|      | Z448613 | Cable dosificador Azkoyen            |       | 1                    |                                |  |  |  |  |  |  |       |       |
|      | Z448614 | Conducto aspiracion c/filtro Azkoyen |       | 1                    |                                |  |  |  |  |  |  |       |       |
|      | Z208801 | Frente extraible                     |       | 1                    |                                |  |  |  |  |  |  |       |       |
|      | Z208802 | Embellecedor adhesivo                |       | 1                    |                                |  |  |  |  |  |  |       |       |
|      | R693056 | Piloto ambar                         |       | 1                    |                                |  |  |  |  |  |  |       |       |
|      | Z223001 | Conmutador de funciones              |       | 1                    |                                |  |  |  |  |  |  |       |       |
|      | Z203007 | Casquillo                            |       | 2                    |                                |  |  |  |  |  |  |       |       |
|      | Q041324 | Tornillo avellanado M-4x25           |       | 2                    |                                |  |  |  |  |  |  |       |       |
|      | Z223005 | Presostato simple                    |       | 1                    |                                |  |  |  |  |  |  |       |       |
|      | Z103077 | Racord en "Y" presostatos            |       | 1                    |                                |  |  |  |  |  |  |       |       |
|      | Z658813 | Boton de mando con anillo comp.      |       | 1                    |                                |  |  |  |  |  |  |       |       |
|      | Z658607 | Indicador de mando                   |       | 1                    |                                |  |  |  |  |  |  |       |       |
|      | Z658602 | Asa puerta                           |       | 1                    |                                |  |  |  |  |  |  |       |       |
|      | Z208603 | Adhesivo puerta                      |       | 1                    |                                |  |  |  |  |  |  |       |       |
|      | Z208608 | Libro de instrucciones               |       | 1                    |                                |  |  |  |  |  |  |       |       |
|      | Z208610 | Hoja garantia Azkoyen                |       | 1                    |                                |  |  |  |  |  |  |       |       |
|      | Z658609 | Palet Azkoyen                        |       | 1                    |                                |  |  |  |  |  |  |       |       |
|      | Z220901 | Bomba de desagüe                     |       | 1                    |                                |  |  |  |  |  |  |       |       |
|      | Z220904 | Soporte bomba de desagüe             |       | 1                    |                                |  |  |  |  |  |  |       |       |
|      | Q012031 | Tornillo exagonal M-5x10             |       | 4                    |                                |  |  |  |  |  |  |       |       |
|      | Q242030 | Arandela abanico A-5                 |       | 4                    |                                |  |  |  |  |  |  |       |       |
|      | Q232030 | Arandela plana A-5                   |       | 4                    |                                |  |  |  |  |  |  |       |       |
|      | Z220902 | Acumulador                           |       | 1                    |                                |  |  |  |  |  |  |       |       |
|      | Z220903 | Manguera de desagüe                  |       | 1                    |                                |  |  |  |  |  |  |       |       |
|      | Q881305 | Abrazadera 25 - 40                   |       | 2                    |                                |  |  |  |  |  |  |       |       |

|      |                              |      |                                |  |  |  |  |       |  |
|------|------------------------------|------|--------------------------------|--|--|--|--|-------|--|
| MOD. | LAVAVAJILLAS FRONTAL AZKOYEN | ZONA | PIEZAS ESPECIFICAS ( AZKOYEN ) |  |  |  |  | PLANO |  |
|------|------------------------------|------|--------------------------------|--|--|--|--|-------|--|

| ITEM | CODIGO  | DENOMINACION                    | TEXTO | A-320-B<br>( FI-30 ) |  |  |  |  |  |  |  |  | NOTAS          |
|------|---------|---------------------------------|-------|----------------------|--|--|--|--|--|--|--|--|----------------|
|      | Z230902 | Pasamuros                       |       | 1                    |  |  |  |  |  |  |  |  |                |
|      | Q306024 | Arandela junta Ø18xØ12,5x1,5    |       | 1                    |  |  |  |  |  |  |  |  |                |
|      | Q162070 | Tuerca exagonal M-12            |       | 1                    |  |  |  |  |  |  |  |  |                |
|      | 3702400 | Tubo goma negra Ø8x4x230        |       | 1                    |  |  |  |  |  |  |  |  |                |
|      | P102154 | Brida elastica                  |       | 2                    |  |  |  |  |  |  |  |  |                |
|      | Z208803 | Cableado auxiliar bomba desagüe |       | 1                    |  |  |  |  |  |  |  |  |                |
|      | Z208807 | Esquema electrico adhesivo      |       | 1                    |  |  |  |  |  |  |  |  | Plano HC-16504 |
|      | Z208808 | Esquema electrico de montaje    |       | 1                    |  |  |  |  |  |  |  |  | Plano HC-17264 |
|      |         |                                 |       |                      |  |  |  |  |  |  |  |  |                |
|      |         |                                 |       |                      |  |  |  |  |  |  |  |  |                |
|      |         |                                 |       |                      |  |  |  |  |  |  |  |  |                |
|      |         |                                 |       |                      |  |  |  |  |  |  |  |  |                |
|      |         |                                 |       |                      |  |  |  |  |  |  |  |  |                |
|      |         |                                 |       |                      |  |  |  |  |  |  |  |  |                |
|      |         |                                 |       |                      |  |  |  |  |  |  |  |  |                |
|      |         |                                 |       |                      |  |  |  |  |  |  |  |  |                |
|      |         |                                 |       |                      |  |  |  |  |  |  |  |  |                |
|      |         |                                 |       |                      |  |  |  |  |  |  |  |  |                |
|      |         |                                 |       |                      |  |  |  |  |  |  |  |  |                |
|      |         |                                 |       |                      |  |  |  |  |  |  |  |  |                |
|      |         |                                 |       |                      |  |  |  |  |  |  |  |  |                |
|      |         |                                 |       |                      |  |  |  |  |  |  |  |  |                |
|      |         |                                 |       |                      |  |  |  |  |  |  |  |  |                |
|      |         |                                 |       |                      |  |  |  |  |  |  |  |  |                |
|      |         |                                 |       |                      |  |  |  |  |  |  |  |  |                |
|      |         |                                 |       |                      |  |  |  |  |  |  |  |  |                |

|             |                             |             |                               |              |  |
|-------------|-----------------------------|-------------|-------------------------------|--------------|--|
| <b>MOD.</b> | LAVAVAJILLAS FRONTAL GAGGIA | <b>ZONA</b> | PIEZAS ESPECIFICAS ( GAGGIA ) | <b>PLANO</b> |  |
|-------------|-----------------------------|-------------|-------------------------------|--------------|--|

| <b>ITEM</b> | <b>CODIGO</b> | <b>DENOMINACION</b>              | <b>TEXTO</b> | <b>GX14C<br/>( FI-30 )</b> |  |  |  |  |  |  |  |  |  |  |  | <b>NOTAS</b> |
|-------------|---------------|----------------------------------|--------------|----------------------------|--|--|--|--|--|--|--|--|--|--|--|--------------|
|             | Z204601       | Embellecedor adhesivo            |              | 1                          |  |  |  |  |  |  |  |  |  |  |  |              |
|             | Z658813       | Boton de mando con anillo compr. |              | 1                          |  |  |  |  |  |  |  |  |  |  |  |              |
|             | Z658607       | Indicador de mando               |              | 1                          |  |  |  |  |  |  |  |  |  |  |  |              |
|             | Z200539       | Asa puerta                       |              | 1                          |  |  |  |  |  |  |  |  |  |  |  |              |
|             | Q012042       | Tornillo exagonal M-6x15         |              | 2                          |  |  |  |  |  |  |  |  |  |  |  |              |
|             | Q162040       | Tuerca exagonal M-6              |              | 2                          |  |  |  |  |  |  |  |  |  |  |  |              |
|             |               |                                  |              |                            |  |  |  |  |  |  |  |  |  |  |  |              |
|             |               |                                  |              |                            |  |  |  |  |  |  |  |  |  |  |  |              |
|             |               |                                  |              |                            |  |  |  |  |  |  |  |  |  |  |  |              |
|             |               |                                  |              |                            |  |  |  |  |  |  |  |  |  |  |  |              |
|             |               |                                  |              |                            |  |  |  |  |  |  |  |  |  |  |  |              |
|             |               |                                  |              |                            |  |  |  |  |  |  |  |  |  |  |  |              |
|             |               |                                  |              |                            |  |  |  |  |  |  |  |  |  |  |  |              |
|             |               |                                  |              |                            |  |  |  |  |  |  |  |  |  |  |  |              |
|             |               |                                  |              |                            |  |  |  |  |  |  |  |  |  |  |  |              |
|             |               |                                  |              |                            |  |  |  |  |  |  |  |  |  |  |  |              |
|             |               |                                  |              |                            |  |  |  |  |  |  |  |  |  |  |  |              |
|             |               |                                  |              |                            |  |  |  |  |  |  |  |  |  |  |  |              |
|             |               |                                  |              |                            |  |  |  |  |  |  |  |  |  |  |  |              |
|             |               |                                  |              |                            |  |  |  |  |  |  |  |  |  |  |  |              |
|             |               |                                  |              |                            |  |  |  |  |  |  |  |  |  |  |  |              |
|             |               |                                  |              |                            |  |  |  |  |  |  |  |  |  |  |  |              |
|             |               |                                  |              |                            |  |  |  |  |  |  |  |  |  |  |  |              |

|             |                               |             |                                 |  |  |  |  |  |  |              |  |
|-------------|-------------------------------|-------------|---------------------------------|--|--|--|--|--|--|--------------|--|
| <b>MOD.</b> | LAVAVAJILLAS FRONTAL FUTURMAT | <b>ZONA</b> | PIEZAS ESPECIFICAS ( FUTURMAT ) |  |  |  |  |  |  | <b>PLANO</b> |  |
|-------------|-------------------------------|-------------|---------------------------------|--|--|--|--|--|--|--------------|--|

| ITEM | CODIGO  | DENOMINACION                     | TEXTO | FV34C<br>( FI-30 ) |  |  |  |  |  |  |  |  |  |  | NOTAS |  |
|------|---------|----------------------------------|-------|--------------------|--|--|--|--|--|--|--|--|--|--|-------|--|
|      | Z204501 | Embelecedor adhesivo             |       | 1                  |  |  |  |  |  |  |  |  |  |  |       |  |
|      | Z204504 | Boton de mando con anillo compr. |       | 1                  |  |  |  |  |  |  |  |  |  |  |       |  |
|      | Z604505 | Indicador de mando               |       | 1                  |  |  |  |  |  |  |  |  |  |  |       |  |
|      | Z200539 | Asa puerta                       |       | 1                  |  |  |  |  |  |  |  |  |  |  |       |  |
|      | Q012042 | Tornillo exagonal M-6x15         |       | 2                  |  |  |  |  |  |  |  |  |  |  |       |  |
|      | Q162040 | Tuerca exagonal M-6              |       | 2                  |  |  |  |  |  |  |  |  |  |  |       |  |
|      |         |                                  |       |                    |  |  |  |  |  |  |  |  |  |  |       |  |
|      |         |                                  |       |                    |  |  |  |  |  |  |  |  |  |  |       |  |
|      |         |                                  |       |                    |  |  |  |  |  |  |  |  |  |  |       |  |
|      |         |                                  |       |                    |  |  |  |  |  |  |  |  |  |  |       |  |
|      |         |                                  |       |                    |  |  |  |  |  |  |  |  |  |  |       |  |
|      |         |                                  |       |                    |  |  |  |  |  |  |  |  |  |  |       |  |
|      |         |                                  |       |                    |  |  |  |  |  |  |  |  |  |  |       |  |
|      |         |                                  |       |                    |  |  |  |  |  |  |  |  |  |  |       |  |
|      |         |                                  |       |                    |  |  |  |  |  |  |  |  |  |  |       |  |
|      |         |                                  |       |                    |  |  |  |  |  |  |  |  |  |  |       |  |
|      |         |                                  |       |                    |  |  |  |  |  |  |  |  |  |  |       |  |
|      |         |                                  |       |                    |  |  |  |  |  |  |  |  |  |  |       |  |
|      |         |                                  |       |                    |  |  |  |  |  |  |  |  |  |  |       |  |
|      |         |                                  |       |                    |  |  |  |  |  |  |  |  |  |  |       |  |
|      |         |                                  |       |                    |  |  |  |  |  |  |  |  |  |  |       |  |
|      |         |                                  |       |                    |  |  |  |  |  |  |  |  |  |  |       |  |
|      |         |                                  |       |                    |  |  |  |  |  |  |  |  |  |  |       |  |
|      |         |                                  |       |                    |  |  |  |  |  |  |  |  |  |  |       |  |
|      |         |                                  |       |                    |  |  |  |  |  |  |  |  |  |  |       |  |
|      |         |                                  |       |                    |  |  |  |  |  |  |  |  |  |  |       |  |
|      |         |                                  |       |                    |  |  |  |  |  |  |  |  |  |  |       |  |
|      |         |                                  |       |                    |  |  |  |  |  |  |  |  |  |  |       |  |
|      |         |                                  |       |                    |  |  |  |  |  |  |  |  |  |  |       |  |
|      |         |                                  |       |                    |  |  |  |  |  |  |  |  |  |  |       |  |
|      |         |                                  |       |                    |  |  |  |  |  |  |  |  |  |  |       |  |
|      |         |                                  |       |                    |  |  |  |  |  |  |  |  |  |  |       |  |
|      |         |                                  |       |                    |  |  |  |  |  |  |  |  |  |  |       |  |
|      |         |                                  |       |                    |  |  |  |  |  |  |  |  |  |  |       |  |

|      |                               |      |                                 |       |  |
|------|-------------------------------|------|---------------------------------|-------|--|
| MOD. | LAVAVAJILLAS FRONTAL ITALCREM | ZONA | PIEZAS ESPECIFICAS ( ITALCREM ) | PLANO |  |
|------|-------------------------------|------|---------------------------------|-------|--|

| ITEM | CODIGO  | DENOMINACION                     | TEXTO | LP300C<br>( FI-30 ) |  |  |  |  |  |  |  |  |  | NOTAS |
|------|---------|----------------------------------|-------|---------------------|--|--|--|--|--|--|--|--|--|-------|
|      | Z204701 | Embellecedor adhesivo            |       | 1                   |  |  |  |  |  |  |  |  |  |       |
|      | Z204504 | Boton de mando con anillo compr. |       | 1                   |  |  |  |  |  |  |  |  |  |       |
|      | Z608704 | Indicador de mando               |       | 1                   |  |  |  |  |  |  |  |  |  |       |
|      | Z200539 | Asa puerta                       |       | 1                   |  |  |  |  |  |  |  |  |  |       |
|      | Q012042 | Tornillo exagonal M-6x15         |       | 2                   |  |  |  |  |  |  |  |  |  |       |
|      | Q162040 | Tuerca exagonal M-6              |       | 2                   |  |  |  |  |  |  |  |  |  |       |
|      |         |                                  |       |                     |  |  |  |  |  |  |  |  |  |       |
|      |         |                                  |       |                     |  |  |  |  |  |  |  |  |  |       |
|      |         |                                  |       |                     |  |  |  |  |  |  |  |  |  |       |
|      |         |                                  |       |                     |  |  |  |  |  |  |  |  |  |       |
|      |         |                                  |       |                     |  |  |  |  |  |  |  |  |  |       |
|      |         |                                  |       |                     |  |  |  |  |  |  |  |  |  |       |
|      |         |                                  |       |                     |  |  |  |  |  |  |  |  |  |       |
|      |         |                                  |       |                     |  |  |  |  |  |  |  |  |  |       |
|      |         |                                  |       |                     |  |  |  |  |  |  |  |  |  |       |
|      |         |                                  |       |                     |  |  |  |  |  |  |  |  |  |       |
|      |         |                                  |       |                     |  |  |  |  |  |  |  |  |  |       |
|      |         |                                  |       |                     |  |  |  |  |  |  |  |  |  |       |
|      |         |                                  |       |                     |  |  |  |  |  |  |  |  |  |       |
|      |         |                                  |       |                     |  |  |  |  |  |  |  |  |  |       |
|      |         |                                  |       |                     |  |  |  |  |  |  |  |  |  |       |
|      |         |                                  |       |                     |  |  |  |  |  |  |  |  |  |       |
|      |         |                                  |       |                     |  |  |  |  |  |  |  |  |  |       |
|      |         |                                  |       |                     |  |  |  |  |  |  |  |  |  |       |
|      |         |                                  |       |                     |  |  |  |  |  |  |  |  |  |       |
|      |         |                                  |       |                     |  |  |  |  |  |  |  |  |  |       |
|      |         |                                  |       |                     |  |  |  |  |  |  |  |  |  |       |
|      |         |                                  |       |                     |  |  |  |  |  |  |  |  |  |       |
|      |         |                                  |       |                     |  |  |  |  |  |  |  |  |  |       |
|      |         |                                  |       |                     |  |  |  |  |  |  |  |  |  |       |

MOD. LAVAVAJILLAS FRONTAL MAIRALI      ZONA      PIEZAS ESPECIFICAS ( MAIRALI )      PLANO

| ITEM | CODIGO  | DENOMINACION                     | TEXTO | RP14C<br>( FI-30 ) |  |  |  |  |  |  |  |  |  |  | NOTAS |
|------|---------|----------------------------------|-------|--------------------|--|--|--|--|--|--|--|--|--|--|-------|
|      | Z204801 | Embellecedor adhesivo            |       | 1                  |  |  |  |  |  |  |  |  |  |  |       |
|      | R340043 | Boton de mando con anillo compr. |       | 1                  |  |  |  |  |  |  |  |  |  |  |       |
|      | Z658607 | Indicador de mando               |       | 1                  |  |  |  |  |  |  |  |  |  |  |       |
|      | Z200539 | Asa puerta                       |       | 1                  |  |  |  |  |  |  |  |  |  |  |       |
|      | Q012042 | Tornillo exagonal M-6x15         |       | 2                  |  |  |  |  |  |  |  |  |  |  |       |
|      | Q162040 | Tuerca exagonal M-6              |       | 2                  |  |  |  |  |  |  |  |  |  |  |       |
|      |         |                                  |       |                    |  |  |  |  |  |  |  |  |  |  |       |
|      |         |                                  |       |                    |  |  |  |  |  |  |  |  |  |  |       |
|      |         |                                  |       |                    |  |  |  |  |  |  |  |  |  |  |       |
|      |         |                                  |       |                    |  |  |  |  |  |  |  |  |  |  |       |
|      |         |                                  |       |                    |  |  |  |  |  |  |  |  |  |  |       |
|      |         |                                  |       |                    |  |  |  |  |  |  |  |  |  |  |       |
|      |         |                                  |       |                    |  |  |  |  |  |  |  |  |  |  |       |
|      |         |                                  |       |                    |  |  |  |  |  |  |  |  |  |  |       |
|      |         |                                  |       |                    |  |  |  |  |  |  |  |  |  |  |       |
|      |         |                                  |       |                    |  |  |  |  |  |  |  |  |  |  |       |
|      |         |                                  |       |                    |  |  |  |  |  |  |  |  |  |  |       |
|      |         |                                  |       |                    |  |  |  |  |  |  |  |  |  |  |       |
|      |         |                                  |       |                    |  |  |  |  |  |  |  |  |  |  |       |
|      |         |                                  |       |                    |  |  |  |  |  |  |  |  |  |  |       |
|      |         |                                  |       |                    |  |  |  |  |  |  |  |  |  |  |       |
|      |         |                                  |       |                    |  |  |  |  |  |  |  |  |  |  |       |
|      |         |                                  |       |                    |  |  |  |  |  |  |  |  |  |  |       |
|      |         |                                  |       |                    |  |  |  |  |  |  |  |  |  |  |       |

| MOD. | LAVAVAJILLAS FRONTAL RESTOMAT |                                  | ZONA  | PIEZAS ESPECIFICAS ( RESTOMAT ) |  |  |  |  |  | PLANO |  |  |  |       |
|------|-------------------------------|----------------------------------|-------|---------------------------------|--|--|--|--|--|-------|--|--|--|-------|
| ITEM | CODIGO                        | DENOMINACION                     | TEXTO | KM-30<br>( FI-30 )              |  |  |  |  |  |       |  |  |  | NOTAS |
|      | Z204911                       | Embellecedor adhesivo            |       | 1                               |  |  |  |  |  |       |  |  |  |       |
|      | Z214902                       | Boton de mando con anillo compr. |       | 1                               |  |  |  |  |  |       |  |  |  |       |
|      | Z650531                       | Asa puerta                       |       | 1                               |  |  |  |  |  |       |  |  |  |       |
|      |                               |                                  |       |                                 |  |  |  |  |  |       |  |  |  |       |
|      |                               |                                  |       |                                 |  |  |  |  |  |       |  |  |  |       |
|      |                               |                                  |       |                                 |  |  |  |  |  |       |  |  |  |       |
|      |                               |                                  |       |                                 |  |  |  |  |  |       |  |  |  |       |
|      |                               |                                  |       |                                 |  |  |  |  |  |       |  |  |  |       |
|      |                               |                                  |       |                                 |  |  |  |  |  |       |  |  |  |       |
|      |                               |                                  |       |                                 |  |  |  |  |  |       |  |  |  |       |
|      |                               |                                  |       |                                 |  |  |  |  |  |       |  |  |  |       |
|      |                               |                                  |       |                                 |  |  |  |  |  |       |  |  |  |       |
|      |                               |                                  |       |                                 |  |  |  |  |  |       |  |  |  |       |
|      |                               |                                  |       |                                 |  |  |  |  |  |       |  |  |  |       |
|      |                               |                                  |       |                                 |  |  |  |  |  |       |  |  |  |       |
|      |                               |                                  |       |                                 |  |  |  |  |  |       |  |  |  |       |
|      |                               |                                  |       |                                 |  |  |  |  |  |       |  |  |  |       |
|      |                               |                                  |       |                                 |  |  |  |  |  |       |  |  |  |       |
|      |                               |                                  |       |                                 |  |  |  |  |  |       |  |  |  |       |
|      |                               |                                  |       |                                 |  |  |  |  |  |       |  |  |  |       |
|      |                               |                                  |       |                                 |  |  |  |  |  |       |  |  |  |       |
|      |                               |                                  |       |                                 |  |  |  |  |  |       |  |  |  |       |



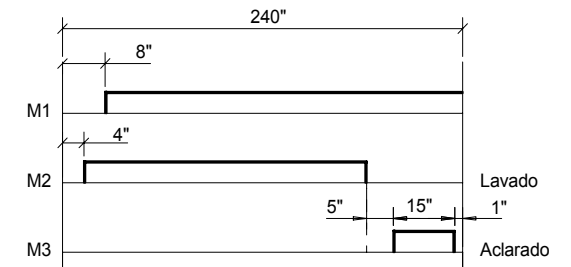
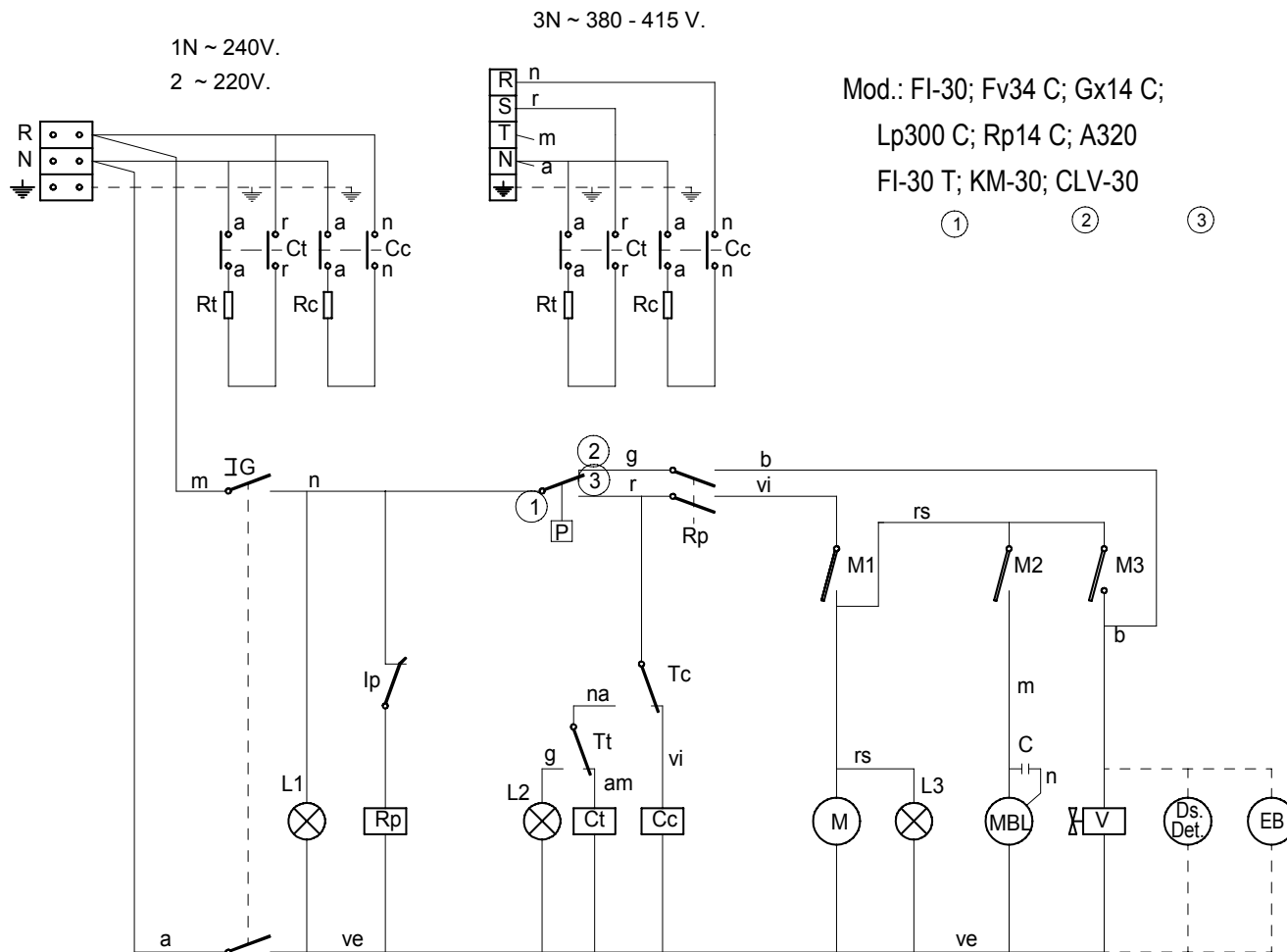
| MOD. |         | LAVAVAJILLAS FRONTAL CORECO |       | ZONA                |  | PIEZAS ESPECIFICAS ( CORECO ) |  |  |  |  |  |  | PLANO |       |  |
|------|---------|-----------------------------|-------|---------------------|--|-------------------------------|--|--|--|--|--|--|-------|-------|--|
| ITEM | CODIGO  | DENOMINACION                | TEXTO | CLV-30<br>( FI-30 ) |  |                               |  |  |  |  |  |  |       | NOTAS |  |
|      | Z208101 | Embellecedor adhesivo       |       | 1                   |  |                               |  |  |  |  |  |  |       |       |  |
|      |         |                             |       |                     |  |                               |  |  |  |  |  |  |       |       |  |
|      |         |                             |       |                     |  |                               |  |  |  |  |  |  |       |       |  |
|      |         |                             |       |                     |  |                               |  |  |  |  |  |  |       |       |  |
|      |         |                             |       |                     |  |                               |  |  |  |  |  |  |       |       |  |
|      |         |                             |       |                     |  |                               |  |  |  |  |  |  |       |       |  |
|      |         |                             |       |                     |  |                               |  |  |  |  |  |  |       |       |  |
|      |         |                             |       |                     |  |                               |  |  |  |  |  |  |       |       |  |
|      |         |                             |       |                     |  |                               |  |  |  |  |  |  |       |       |  |
|      |         |                             |       |                     |  |                               |  |  |  |  |  |  |       |       |  |
|      |         |                             |       |                     |  |                               |  |  |  |  |  |  |       |       |  |
|      |         |                             |       |                     |  |                               |  |  |  |  |  |  |       |       |  |
|      |         |                             |       |                     |  |                               |  |  |  |  |  |  |       |       |  |
|      |         |                             |       |                     |  |                               |  |  |  |  |  |  |       |       |  |
|      |         |                             |       |                     |  |                               |  |  |  |  |  |  |       |       |  |
|      |         |                             |       |                     |  |                               |  |  |  |  |  |  |       |       |  |
|      |         |                             |       |                     |  |                               |  |  |  |  |  |  |       |       |  |
|      |         |                             |       |                     |  |                               |  |  |  |  |  |  |       |       |  |
|      |         |                             |       |                     |  |                               |  |  |  |  |  |  |       |       |  |
|      |         |                             |       |                     |  |                               |  |  |  |  |  |  |       |       |  |
|      |         |                             |       |                     |  |                               |  |  |  |  |  |  |       |       |  |
|      |         |                             |       |                     |  |                               |  |  |  |  |  |  |       |       |  |

MOD. LAVAVAJILLAS FRONTAL

ZONA PIEZAS ESPECIFICAS FI-30T ( 220 V., II , 60Hz. )

PLANO

| ITEM | CODIGO  | DENOMINACION             | TEXTO | FI-30T<br>( FI-30 ) |  |  |  |  |  |  |  |  |  | NOTAS |
|------|---------|--------------------------|-------|---------------------|--|--|--|--|--|--|--|--|--|-------|
|      | Z208301 | Embellecedor adhesivo    |       | 1                   |  |  |  |  |  |  |  |  |  |       |
|      | Z208302 | Programador ciclo        |       | 1                   |  |  |  |  |  |  |  |  |  |       |
|      | Z203511 | Bomba de lavado 60 Hz.   |       | 1                   |  |  |  |  |  |  |  |  |  |       |
|      | Z208311 | Folleto de instrucciones |       | 1                   |  |  |  |  |  |  |  |  |  |       |
|      |         |                          |       |                     |  |  |  |  |  |  |  |  |  |       |
|      |         |                          |       |                     |  |  |  |  |  |  |  |  |  |       |
|      |         |                          |       |                     |  |  |  |  |  |  |  |  |  |       |
|      |         |                          |       |                     |  |  |  |  |  |  |  |  |  |       |
|      |         |                          |       |                     |  |  |  |  |  |  |  |  |  |       |
|      |         |                          |       |                     |  |  |  |  |  |  |  |  |  |       |
|      |         |                          |       |                     |  |  |  |  |  |  |  |  |  |       |
|      |         |                          |       |                     |  |  |  |  |  |  |  |  |  |       |
|      |         |                          |       |                     |  |  |  |  |  |  |  |  |  |       |
|      |         |                          |       |                     |  |  |  |  |  |  |  |  |  |       |
|      |         |                          |       |                     |  |  |  |  |  |  |  |  |  |       |
|      |         |                          |       |                     |  |  |  |  |  |  |  |  |  |       |
|      |         |                          |       |                     |  |  |  |  |  |  |  |  |  |       |
|      |         |                          |       |                     |  |  |  |  |  |  |  |  |  |       |
|      |         |                          |       |                     |  |  |  |  |  |  |  |  |  |       |
|      |         |                          |       |                     |  |  |  |  |  |  |  |  |  |       |
|      |         |                          |       |                     |  |  |  |  |  |  |  |  |  |       |
|      |         |                          |       |                     |  |  |  |  |  |  |  |  |  |       |
|      |         |                          |       |                     |  |  |  |  |  |  |  |  |  |       |
|      |         |                          |       |                     |  |  |  |  |  |  |  |  |  |       |



CODIGO DE COLORES:

r = rojo-red-rouge  
m = marron-brown-marron  
g = gris-grey-gris  
n = negro-black-noir  
a = azul-blue-bleu  
b = blanco-white-blanc  
vi = violeta-violette-violet  
am = amarillo-yellow-jaune  
na = naranja-orange-orange  
rs = rosa-rose-pink  
ve = verde-green-vert  
am/ve = amarillo verde-yellow green-jaune vert

I<sub>G</sub> = Interruptor General  
L1 = Lámpara de marcha  
Ip = Micro de puerta  
Rp = Relé puerta  
P = Presostato  
Tc = Termostato calderin  
Tt = Termostato tanque  
Cc = Contactor calderin  
Ct = Contactor tanque  
L2 = Lámpara máquina preparada  
Rc = Resistencia calderin  
Ds Det = Dosificador detergente (opcional)

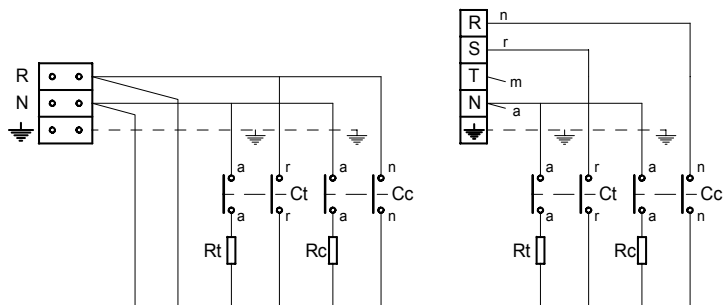
Rt = Resistencia tanque  
M = Motor programador  
M1 = Micro programador marcha  
M2 = Micro programador lavado  
M3 = Micro programador aclarado  
L3 = Lámpara de ciclo  
MBL = Motobomba lavado  
C = Condensador de motobomba  
V = Válvula de llenado y aclarado  
EB = Electrobomba de presión (opcional)

| Esquema teórico adhesivo |                                 | Papel adhesivo  |          | Z-203032                             |  |                 |
|--------------------------|---------------------------------|---|----------|--------------------------------------|--|-----------------|
| Nº                       | Pieza                           | Cant.   | Material | Nº Clasificación                     | Acabado  |                 |
| Nº                       | Modificación                    | Propuesta de  |          | Fecha                                | Tolerancias generales  |                 |
| ①                        | Introducir denominación FI-30 T | Palacio   |          | 20-4-98                              | <math>5\pm</math><br>5-25± : > 100±<br>25-50± : <math>\infty\pm</math> |                 |
| ②                        | Introducir denominación KM - 30 | J.M.P.  |          | 22-7-99                              |  |                 |
| ③                        | Introducir modelo CORECO        | Palacio   |          | 28-1-00                              |  |                 |
| Dibujado                 |                                 | Firma   | Fecha    | Mecanizado superficial               |  |                 |
| Proyectado               |                                 | S. N.   | 27-9-95  | FAGOR                                |  |                 |
| Comprobado               |                                 |   |          | Fagor Industrial, Koop, Elk, Mugatua |  |                 |
| Escala                   |                                 | <b>LAVAVAJILLAS</b><br>Plano hau ez daiteke erabili ez berrizta gure baimenitz gabe |          |                                      |  | Plano numero    |
|                          |                                 |   |          |                                      |  | HC-16498 -3     |
|                          |                                 |   |          |                                      |  | Sustituye al Nº |
|                          |                                 |   |          |                                      |  | Sustituido por  |

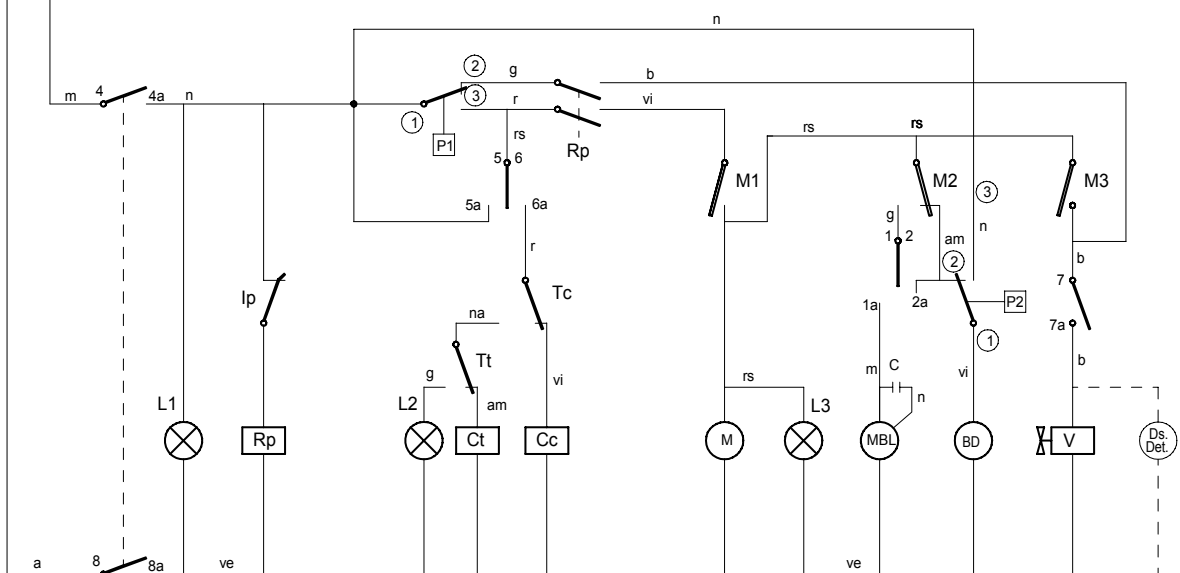
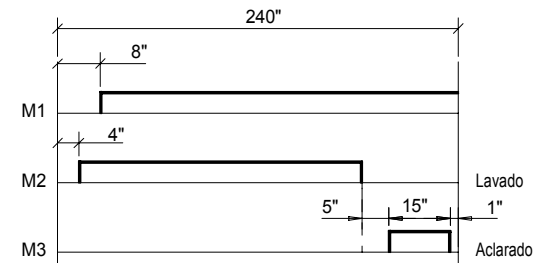
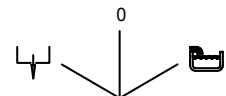
1N ~ 240V.  
2 ~ 220V.

3N ~ 380 - 415 V.

Mod.: A 320 B

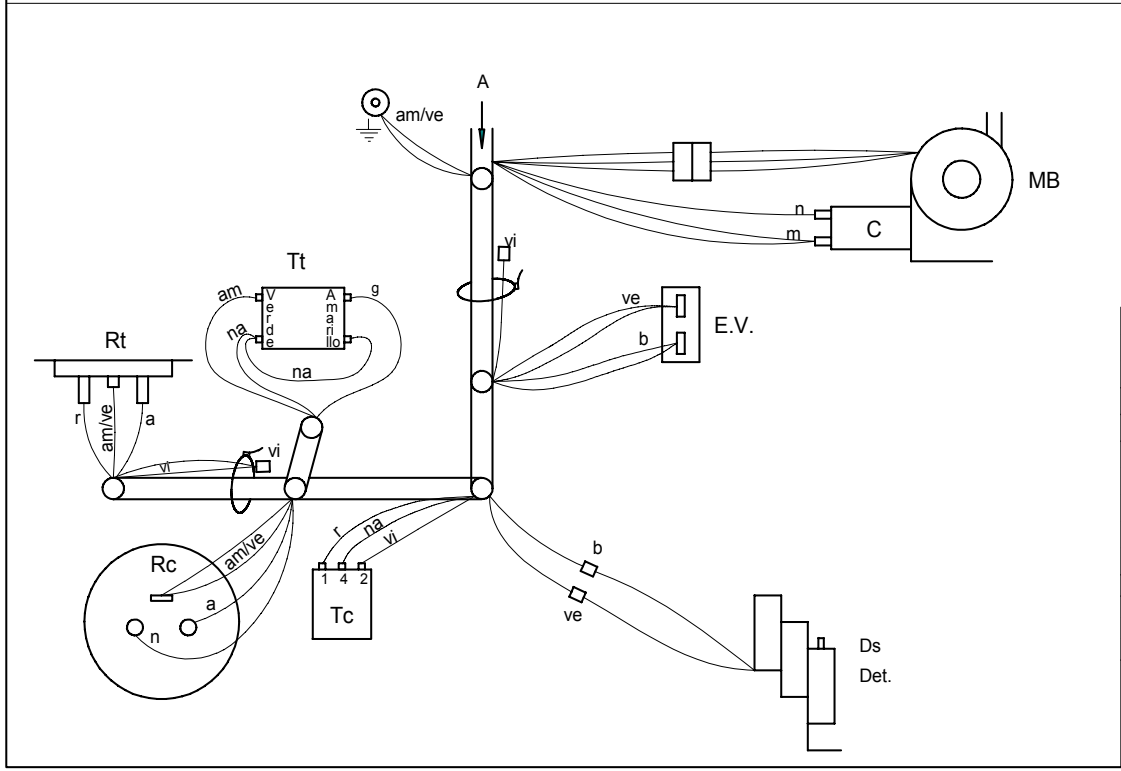
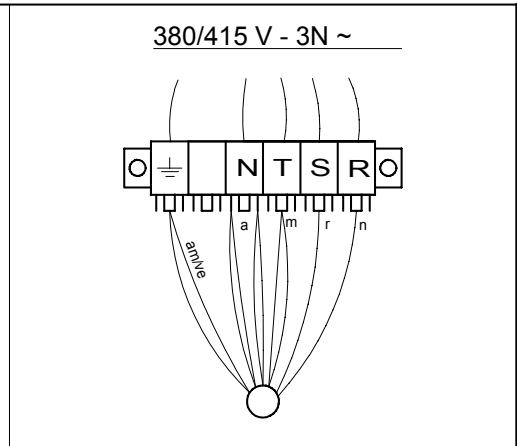
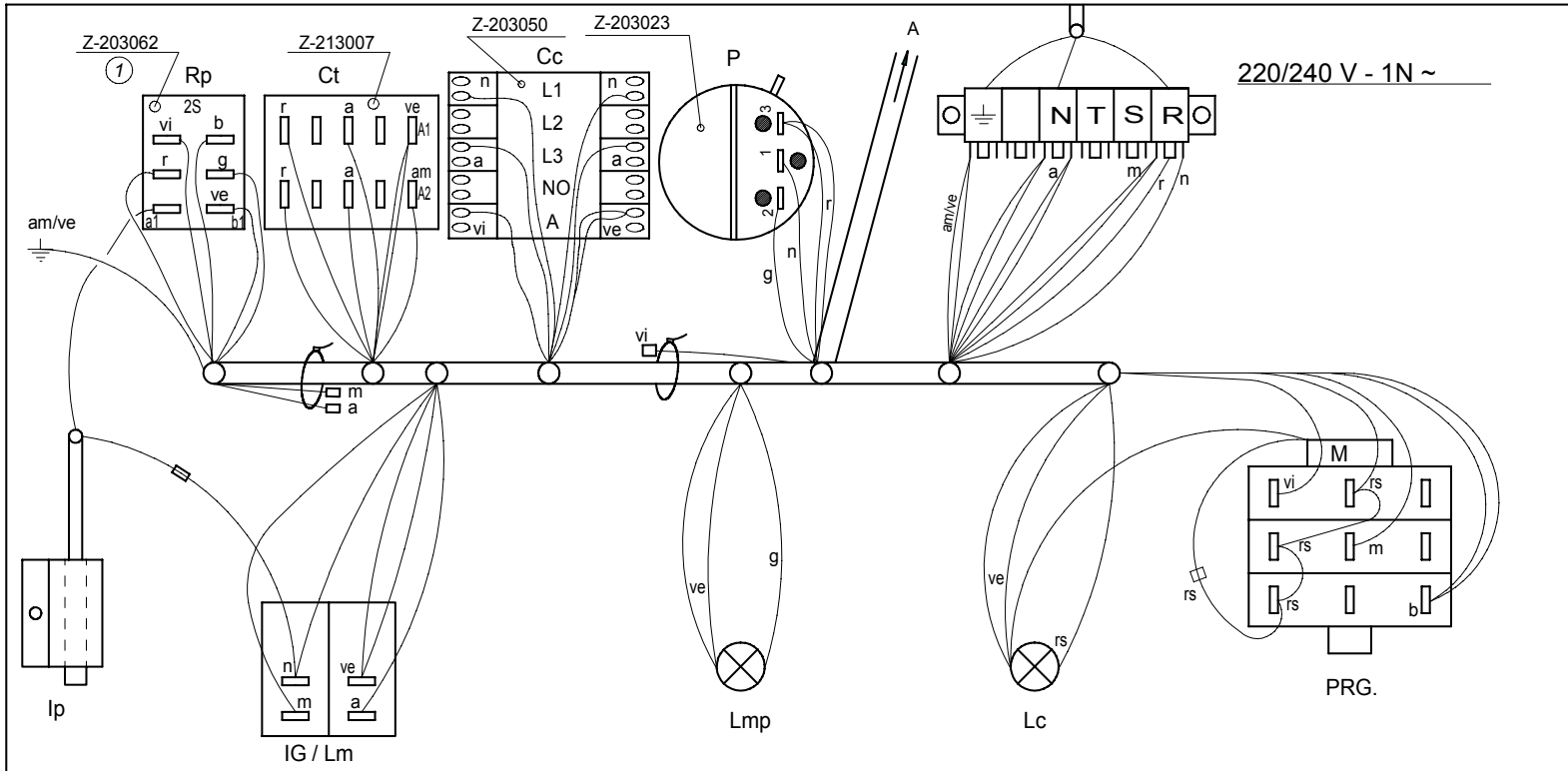


|  |         |         |         |         |         |         |         |         |
|--|---------|---------|---------|---------|---------|---------|---------|---------|
|  | 1<br>1a | 2<br>2a | 3<br>3a | 4<br>4a | 5<br>5a | 6<br>6a | 7<br>7a | 8<br>8a |
|  |         | X       |         | X       | X       |         |         | X       |
|  | X       |         |         | X       |         | X       | X       | X       |

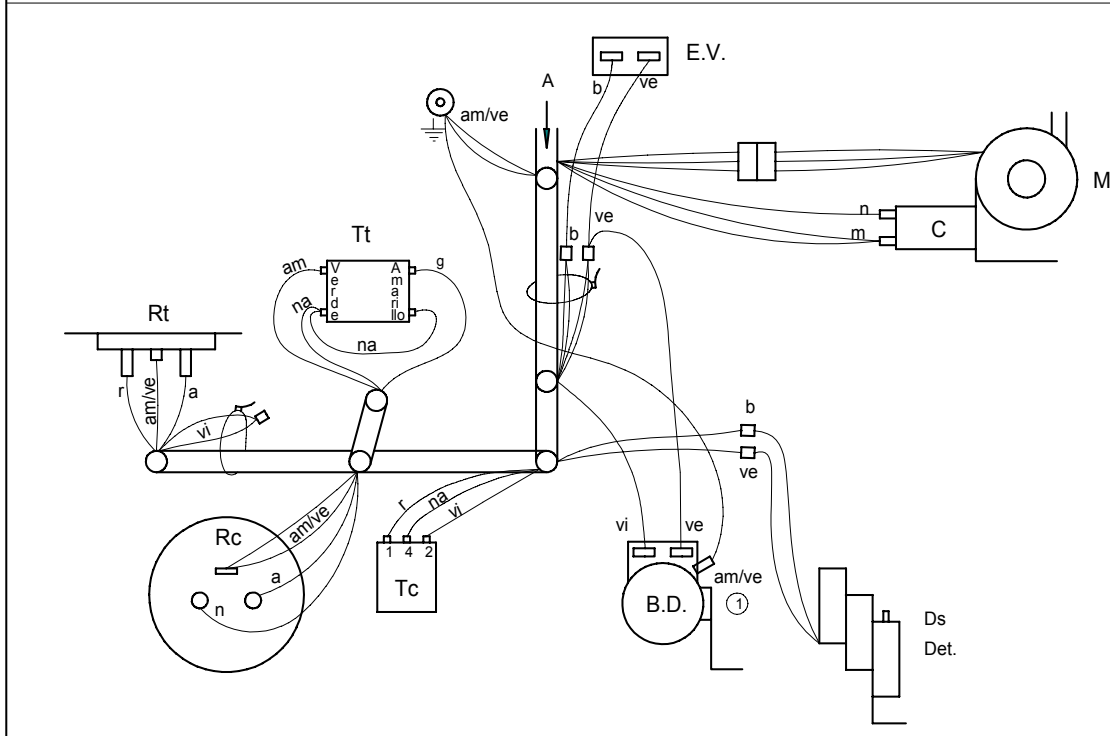
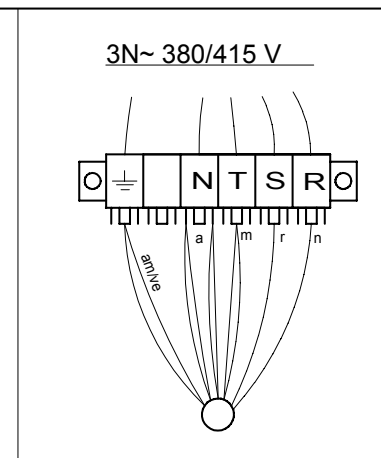
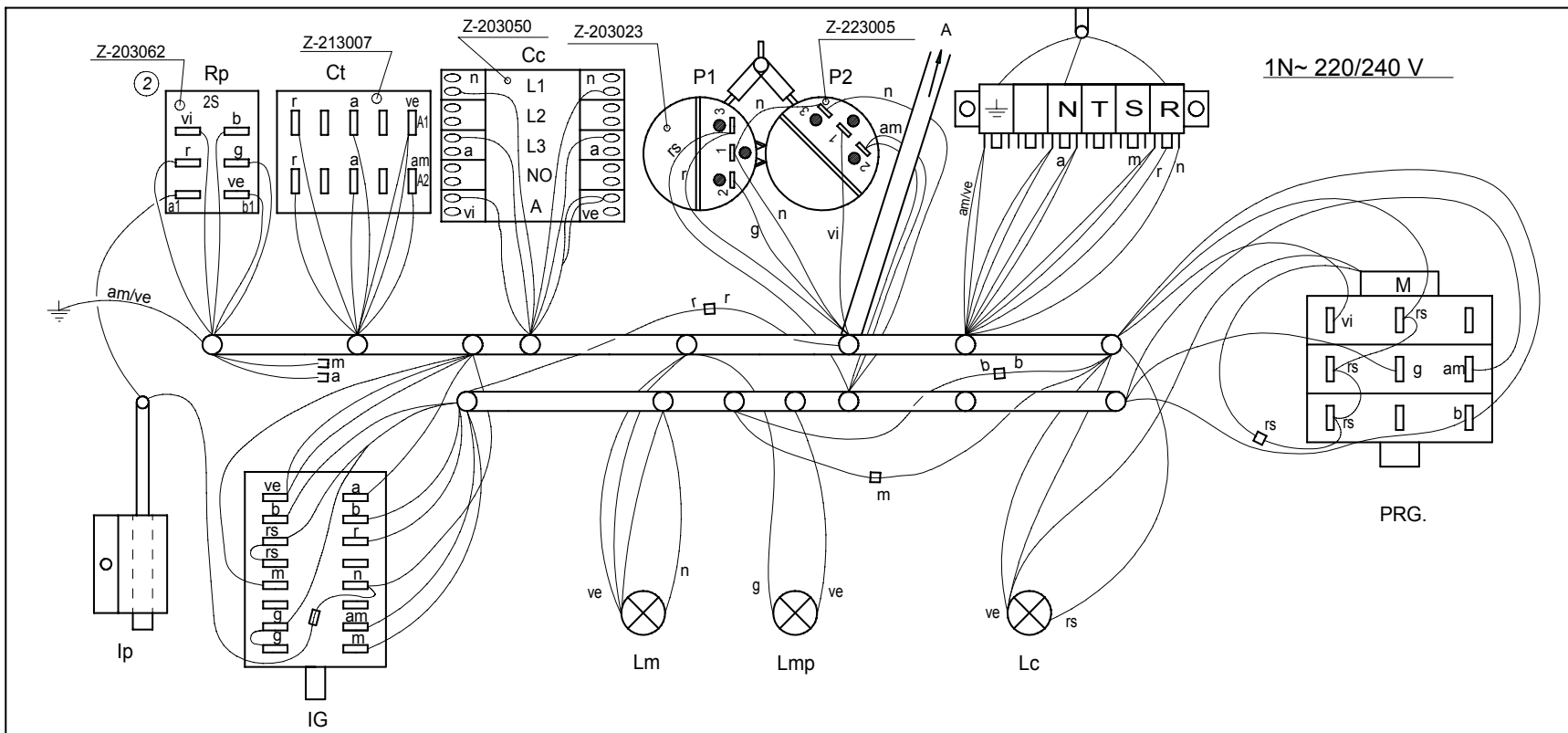



**CODIGO DE COLORES:**  
 r = rojo-red-rouge  
 m = marron-brown-marron  
 g = gris-grey-gris  
 n = negro-black-noir  
 a = azul-blue-bleu  
 b = blanco-white-blanc  
 vi = violeta-violette-violet  
 am = amarillo-yellow-jaune  
 na = naranja-orange-orange  
 rs = rosa-rose-pink  
 ve = verde-green-vert  
 am/ve = amarillo verde-yellow green-jaune vert

|        |                                 |            |   |                   |  |   |
|--------|---------------------------------|------------|---|-------------------|--|---|
| -      | <b>Esquema teorico adhesivo</b> | -          | -   | <b>Z-208807</b>   | -  |   |
| Zk./Nº | Pieza                           | Cant.      | Materiala/Material  | Klas. zk/Nº Clas. | Gainazal akabera/Tratamiento               |   |
| Zk./Nº | Aldaketa/Modificaciones         |            | Nork proposatua/Propuesta de                                      | Data/Fecha        | Perdoi orokorrak<br>Tolerancias generales  |   |
| -      | -                               | -          | -   | -                 | < 5 ± 0.2                                  |   |
| -      | -                               | -          | -   | -                 | 50 ± 100 ± 0.8                             |   |
| -      | -                               | -          | -   | -                 | 5 + 25 ± 0.4                               |   |
| -      | -                               | -          | -   | -                 | >100 ± 1                                   |   |
| -      | -                               | -          | -   | -                 | 25 + 50 ± 0.6                              |   |
| -      | -                               | -          | -   | -                 | α ± 1                                      |   |
|        | Sinadura/Firma                  | Data/Fecha | <br>Fagor Industrial, Koop. Elk. Mugatua                          |                   | Gainazal perdoia<br>Mecanizado superficial |   |
|        | Marratzua/Dibujado              | S. N.      |   |                   | 28-9-95                                    | - |
|        | Proiektatua/Proyectado          | -          |   |                   | -  | - |
|        | Egiaztatua/Comprobado           | -          |   |                   | -  | - |
|        | Eskala/Escala                   |            |   |                   | Plano Zk./Plano Nº<br><b>HC-16504</b>      |   |
|        |                                 |            | <b>LAVAVAJILLAS</b>   |                   | - Zk. ord. du                              |   |
|        |                                 |            | Plano hau ezin daiteke erabili, ez berrizatu, gure baimenik gabe. |                   | - Zk. gaitik ord.                          |   |



|   |              |                  |   |
|---|--------------|------------------|---|
| Esquema de montaje FI-30                                      |              | Z-203051         |   |
| Nº Pieza  | Material     | Nº Clasificación | Acabado   |
| Nº Modificación   | Propuesta de | Fecha            | Tolerancias generales                             |
| ① Sustituir relé Z-203018 por Z-203062, cambiar colores en Rp | J.M.P.A.     | 13-05-02         | <5± : 50-100± :<br>5-25± : >100± :<br>25-50± : ∞± |
| Dibujado  | Firma        | Fecha            | Mecanizado superficial                            |
| Proyectado  | Santi Caro   | 07-07-00         | FAGOR   |
| Comprobado  |              |                  |   |
| Escala  | LAVAVAJILLAS |                  | Plano numero HC-17262-1                           |
| Plano hau ez daiteke erabili ez bezitza gure baimenitz gabe   |              |                  | Sustituye al Nº HC-16176                          |
|   |              |                  | Sustituido por                                    |



|  |   |                                      |              |   |  |  |
|--|---|--------------------------------------|--------------|---|--|--|
| Esquema de montaje FI-30B                                    |   |                                      |              | Z-208808  |  |  |
| Nº   | Pieza   | Cant.                                | Material     | Nº Clasificación  | Acabado  |  |
| Nº   | Modificación  |                                      | Propuesta de | Fecha   | Tolerancias generales                                |  |
| 1  | Añadir cable tierra en bomba desague                          |                                      | Santi        | 4-6-2001  | <5± : 50-100± :<br>5-25± : > 100± :<br>25-50± : ∞± : |  |
| 2  | Sustituir relé Z- 203018 por Z- 203062, cambiar colores en Rp |                                      | J.M.P.A.     | 02-05-13  |  |  |
|  |   |                                      |              |   |  |  |
| Dibujado   |   | Firma                                | Fecha        | Mecanizado superficial  |  |  |
| Proyectado   |   | Santi Caro                           | 07-07-00     | FAGOR  |  |  |
| Comprobado   |   | Fagor Industrial, Koop, Elk, Mugatua |              | Plano numero  |  |  |
| Escala   |   | LAVAVAJILLAS                         |              |   | HC-17264 -2  |  |
| Plano hau ez daitelke erabili ez berriz gure baimenituz gabe |   |                                      |              |   | Sustituye al Nº HC-16331                             |  |
| Sustituido por   |   |                                      |              |   |  |  |