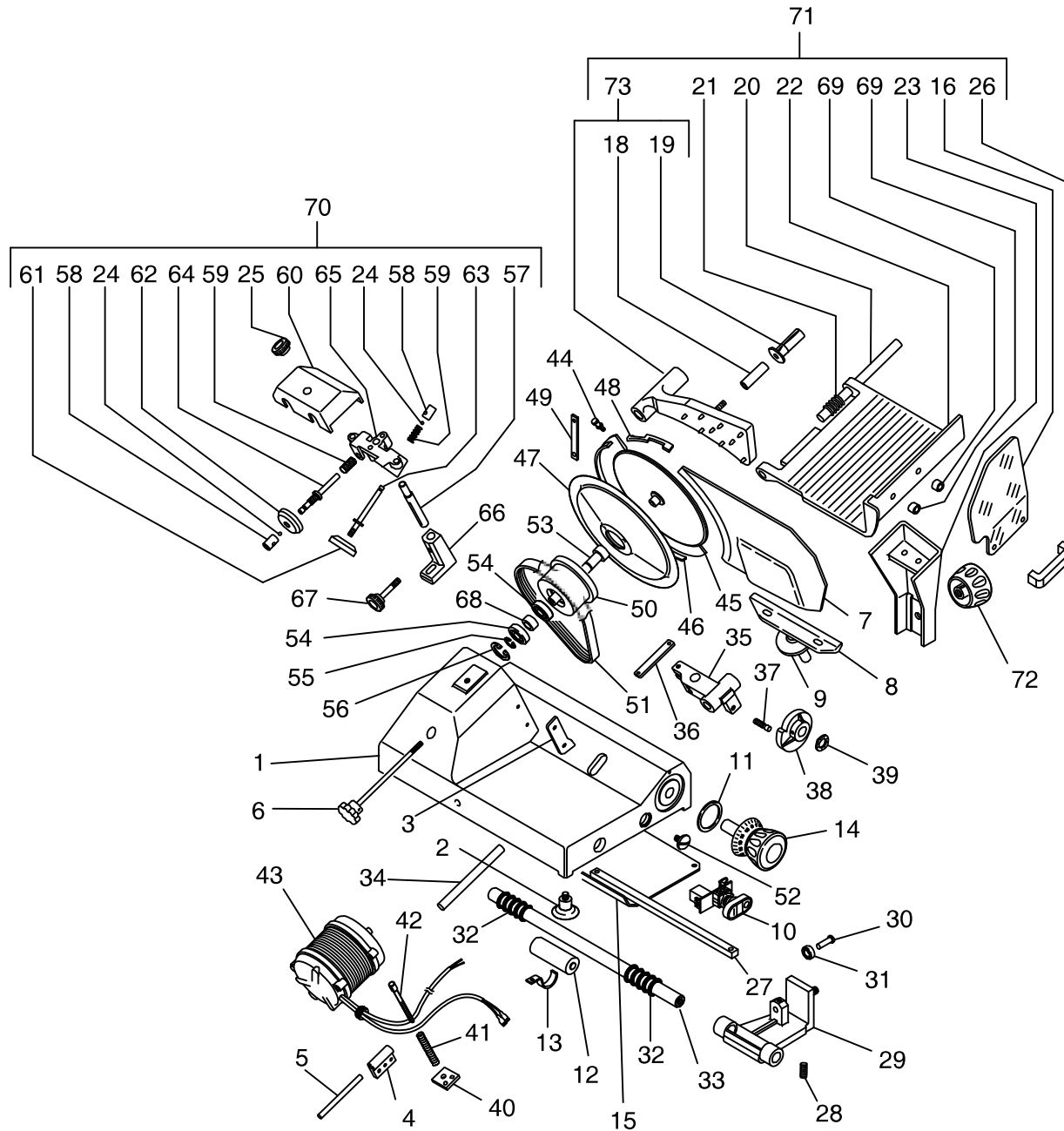


Rif./Ref.	Codice/Code	Sigla /Features	Descrizione/Description
1	CO4004		Base
+ 2	CO4005		Foot
3	CO4006		Protection
+ 6	CO3925		Tie rod
7	CO4010		Sail
8	CO4012		Support
9	CO3941		Ring
+ 10	CO3924	400V/3Ph/50-60Hz	Push button with card
+ 10	CO3923	230V/1Ph/50-60Hz	Push button with card
12	CO3942	8 μ F	Condenser
13	CO3943		Bracket
14	CO4013		Knob
15	CO4014		Bottom
16	CO3946		Protection
17	CO0446		Ram
18	CO3948		Spacer
+ 19	CO4016		Handle
20	CO4017		Rod
21	CO4018		Spring
22	CO4019		Carriage
23	CO3956		Support
26	CO3959		Handle
27	CO4020		Bar
28	CO3962	M8	Grub screw
29	CO4021	(H300)	Support
29	CO4140	(HS300)	Support
30	CO3964		Pivot
31	CO4680	626 ZZ	Bearing
32	CO4022		Spring
33	CO4023		Shaft
34	CO4024		Rod
35	CO4025		Support

Rif./Ref.	Codice/Code	Sigla /Features	Descrizione/Description
36	CO4026		Plate
37	CO3971		Pivot
38	CO4027		Cam
39	CO4028		Washer
40	CO3973		Plate
41	CO3974		Spring
42	CO3975		Tie rod
43	CO4143	230V/1Ph/50-60Hz	Motor
43	CO4029	01/01/02 f.p.(*)	Motor
43	CO4146	400V/3Ph/50-60Hz	Motor
43	CO4030	01/01/02 f.p.(*)	Motor
44	CO3978		Pivot
45	CO4031		Blade cover
46	CO4032		Ring
47	CO3922		Blade
48	CO4033		Protection
49	CO4034		Plate
50	CO4035		Pulley
+	51	CO3927 TB2.34 360x10	Belt
52	CO3991		Screw
53	CO4038		Pivot
54	SL0073	6004 ZZ	Bearing
55	SL0075	ø20	Seeger
56	SL2056	ø42	Seeger
57	CO3995		Pivot
58	CO3996		Wheel pusher
59	CO3997		Spring
60	CO3998		Covering
+	61	CO3901	Grinding wheel
+	62	CO3900	Deburring wheel
63	CO3999		Pivot
64	CO4000		Pivot

Rif./Ref.	Codice/Code	Sigla /Features	Descrizione/Description
65	CO4001		Support
66	CO4556		Support
67	CO4003		Knob
68	CO0444		Spacer
69	CO4039		Spacer
70	CO3926	Assembly	Tool grinder
71	CO4127	Assembly	Carriage
72	CO4053	(HS300)	Knob
73	CO4015	Assembly	Ram
74	CO3444		Grinding wheel
75	CO3443		Deburring wheel
77	CO0445		Covering
81	CO4765	Assembly	Tool grinder
82	CO2817	230V/1Ph/50-60Hz	Switch
82	CO2818	400V/3Ph/50-60Hz	Switch
83	32W3280		Lamp
84	CO0443		Knob
85	CO4794		Blade cover
86	CO0442		Sail
87	CO4029	230V/1Ph/50-60Hz	Motor
87	CO4030	400V/3Ph/50-60Hz	Motor



Without CE norms

