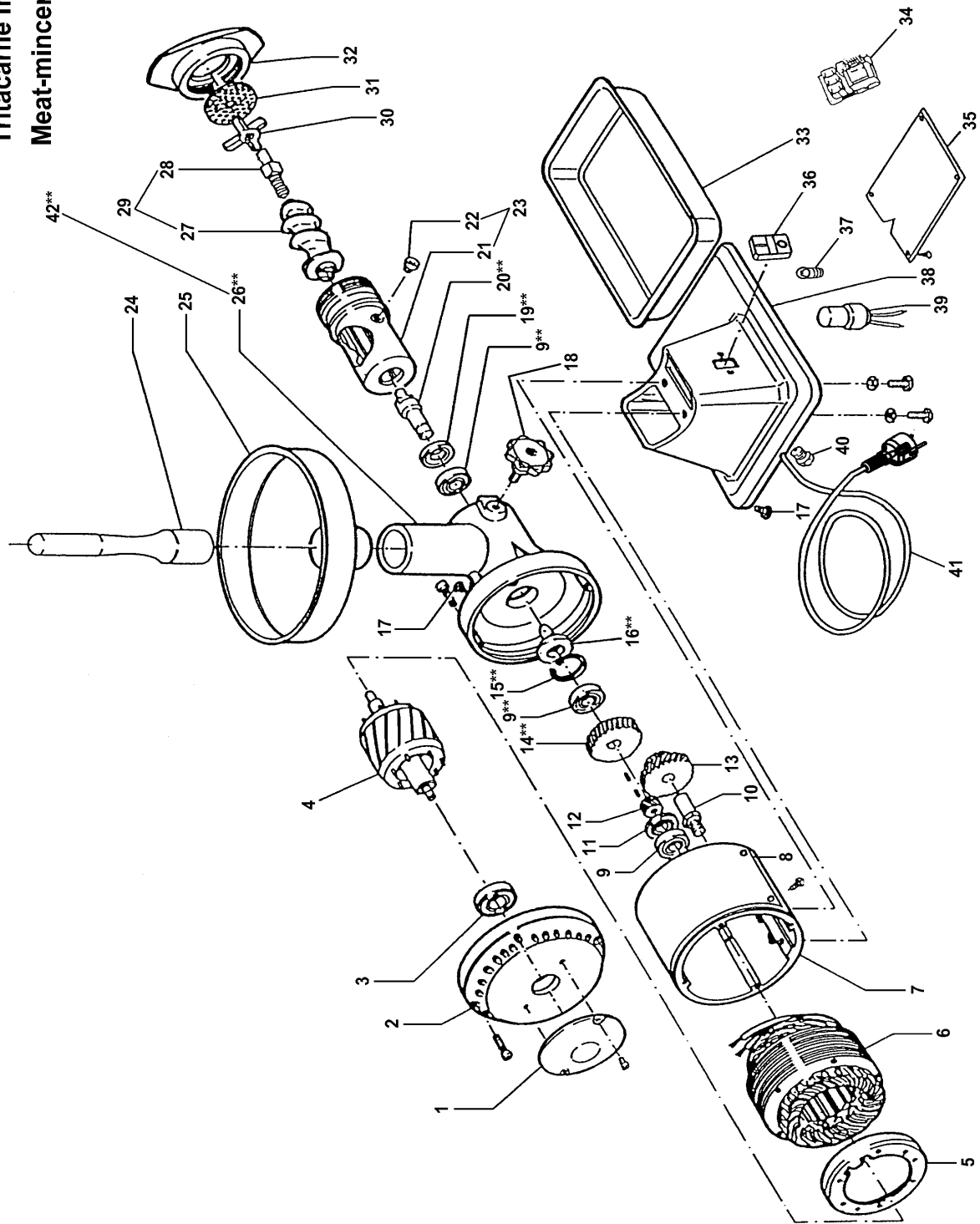


Tritacarne mod.12/S
Meat-mincer mod.12/S



** : Assemblato / Assembly

TRITACARNE MOD.12/S MEAT-MINCER MOD.12/S

RIF.	CODICE / CODE	DIN - UNI	DESCRIZIONE / DESCRIPTION
1	SL0185		Coperchietto / Cover
2	SL0186		Calotta / Cap
3	SL0126	6203 ZZ	Cuscinetto / Bearing
4	SA7300	230-400V/3Ph/50Hz	Rotore trifase / Triple-phase rotor
4	SA7400	230V/1Ph/50Hz	Rotore monofase / Single-phase rotor
5	SL0189		Protezione / Guard
6	SL0183	230-400V/3Ph/50Hz	Statore trifase / Triple-phase stator
6	SL0122	230V/1Ph/50Hz	Statore monofase / Single-phase stator
7	SL0146		Carcassa / Housing
7	SL0123	01/04/00 f.p.(*)	Carcassa trifase / Triple-phase housing
8	SL0181		Lista / Covering
9	SL0131	6203 2RS	Cuscinetto / Bearing
10	SL0124		Albero / Shaft
11	SL0127	17x40x7	Paraolio / Oil seal
12	SL0128		Ingranaggio / Gear
13	SL0125		Ingranaggio / Gear
14	SL0130		Ingranaggio / Gear
15	SL0132	ø40	Seeger Interno / Spring Ring
16	SL0816	17x24x1	Spessore / Spacer
17	SL0133		Tappo / Tap
18	SL0138		Pomello / Knob
19	SL0139	25x40x7	Paraolio / Oil seal
20	SL0140		Albero / Shaft
21	SL0142		Bocchettone inox / Stainless steel sleeve
21	SL0141	01/01/00 f.p.(*)	Bocchettone ghisa / Cast iron sleeve
22	SL0143	01/01/00 f.p.(*)	Vite / Screw
23	SA5000	01/01/00 f.p.(*)	Gruppo bocchettone ghisa/Cast iron sleeve (assembly)
24	SL0134		Pestello / Pusher
25	SL0136		Tramoggia / Hopper
26	SL0137		Bocchettone / Sleeve
27	SL0145		Coclea inox / Stainless steel screw shaft
27	SL0144	01/01/00 f.p.(*)	Coclea ghisa / Cast iron screw shaft
28	SL0822		Perno / Pivot
29	SA5300		Gruppo coclea inox/Stainless steel screw shaft (assembly)
29	SA5100	01/01/00 f.p.(*)	Gruppo coclea ghisa / Cast iron screw shaft (assembly)
30	//////////		Coltello / Cutter
31	//////////		Piastra / Plate
32	SL0171		Ghiera inox / Stainless steel locking ring
32	SL0172	01/01/00 f.p.(*)	Ghiera alluminio / Aluminium locking ring
33	SL0180		Recipiente mod.R-T / Container mod.R-T
34	SL0883		Scheda elettronica / Electronic card
35	SL0184		Fondo / Bottom
36	SL0891		Pulsante / Push button
37	SL1677	36V 2W	Lampadina / Bulb
38	SL0190		Base / Base
39	SL0177	16µF	Condensatore / Condenser
40	SL1668	PG11	Pressacavo / Cable clamp
41	SL1841	3Ph+Gnd	Cavo elettrico trifase / Electric cable (triple-phase)
41	SL1671	1Ph+N+Gnd	Cavo elettrico monofase / Electric cable (single-phase)
42	SA3700		Gruppo bocchettone / Sleeve (assembly)

(*): fuori produzione / out of production