



**Catalogue of Replacement Parts**  
**Catalogue de Pièces de Rechange**  
**Ersatzteilkatalog**



**A200N**



PLE 200460-J-09-10  
EU 8434



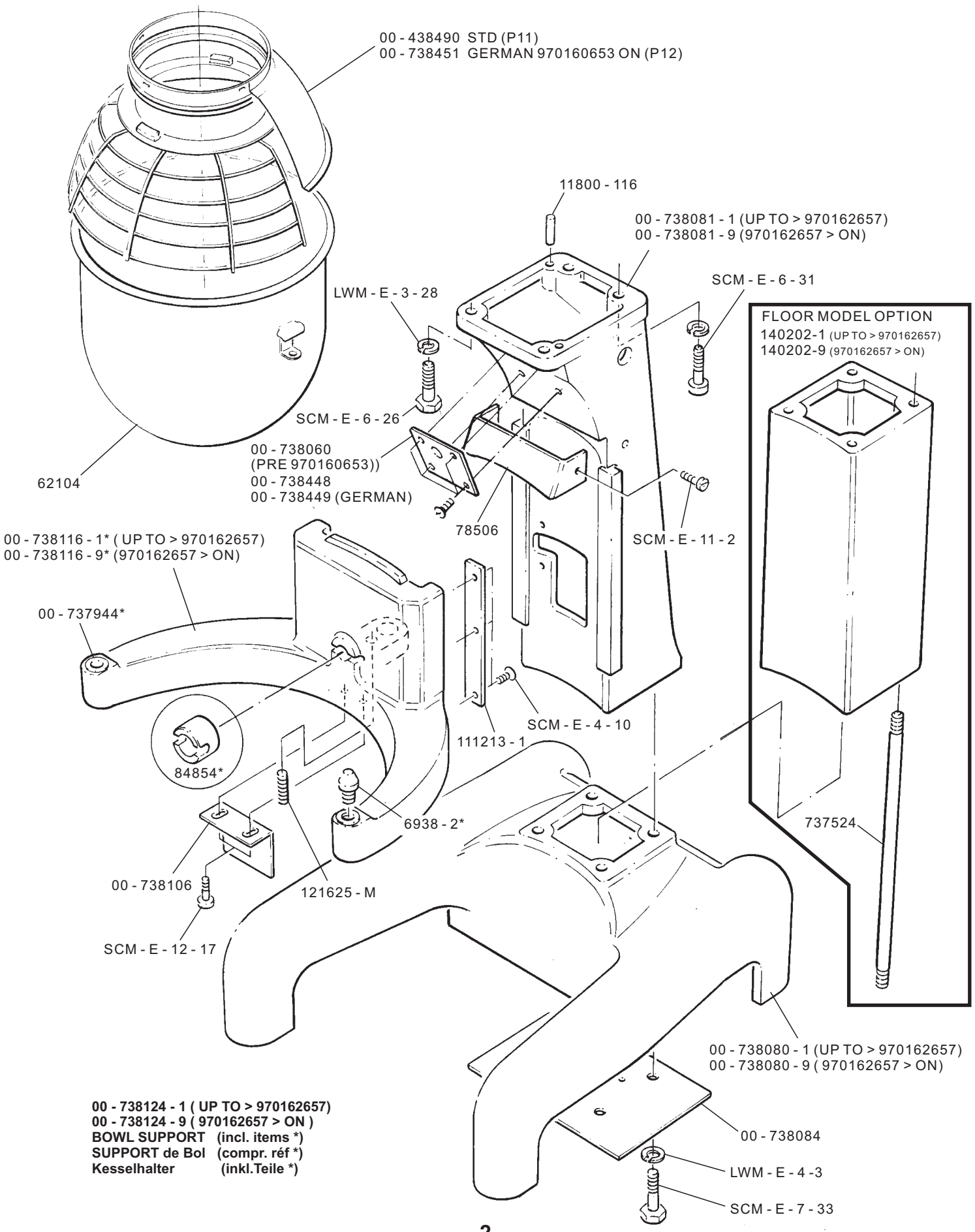
**Contents  
Sommaire  
Inhalt**

**A200N**

	Page Seite
Base, Pedestal and Bowl Unit ..... Base, colonne, support de bol Fuß, Säule und Kesselhalter	2
Transmission Case ..... Boîte de Vitesses Antriebsgehäuse	3
Bowl Lift ..... Relevage de bol Kesselheber	4
Shifter Unit ..... Changement de Vitesses Geschwindigkeitswahlschalter	5
Planetary Assembly ..... Ensemble du planétaire Planetenkopf	6
Attachment Hub Unit ..... Canon Porte Accessoires Ansatznabe	7
Centre Shaft ..... Arbre Central Getriebewelle	8
Transmission Shaft ..... Arbre Intermédiaire Antriebswelle	9
Worm Gear shaft ..... Arbre roue hélicoïdale Schneckenradwelle	10
Guard Assembly ..... Sécurité de bol Schutzgitter	11
Guard Assembly (German) ..... Sécurité de bol Schutzgitter	12
Electrical Parts ..... Pièces Electriques Elektroteile	13 - 18
Agitators ..... Agitateurs Rührwerkzeuge	19



**Base, Pedestal and Bowl Unit**  
**Base, colonne, support de bol**  
**Fuß, Säule und Kessel halter**



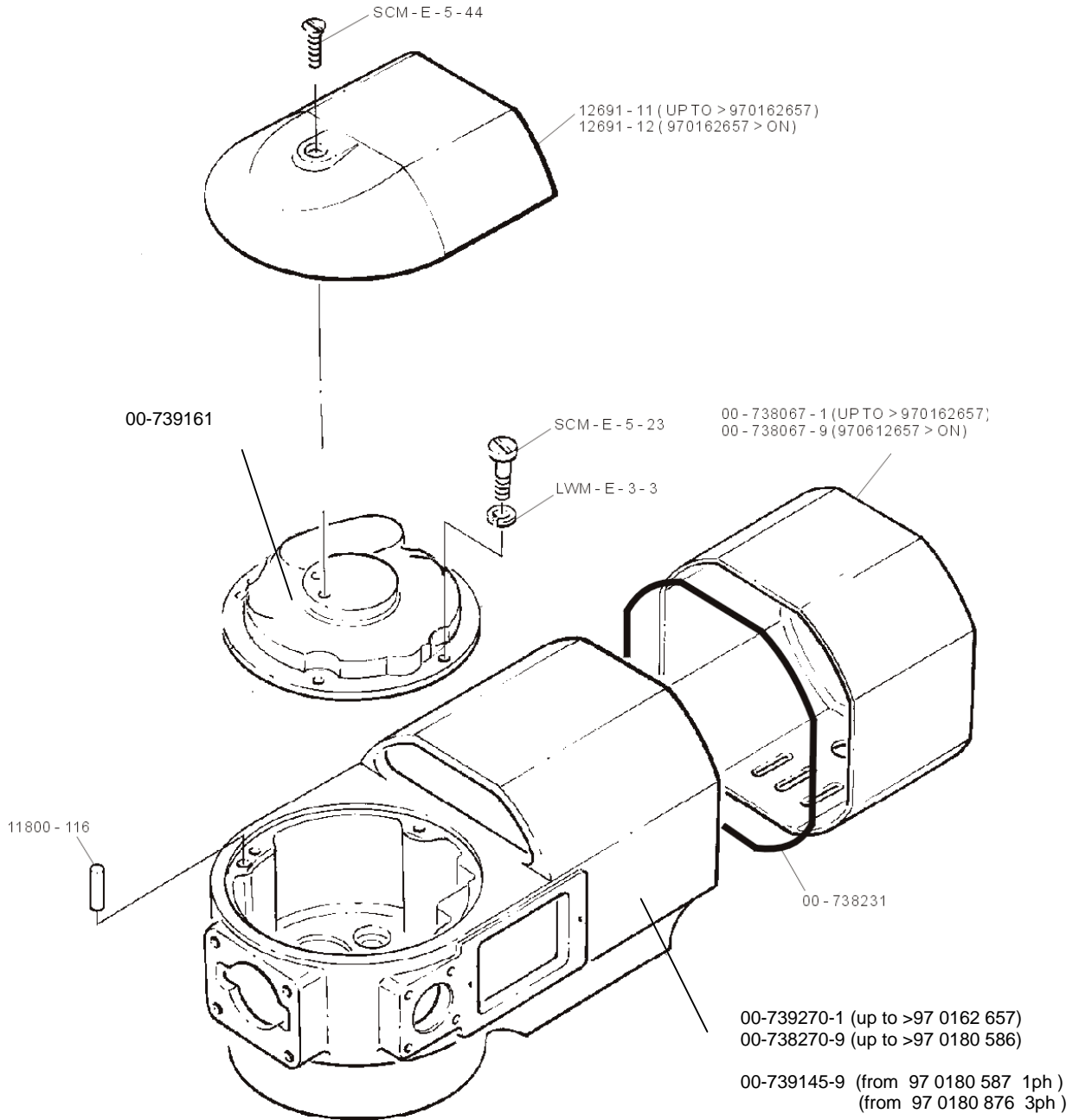
00 - 738124 - 1 (UP TO > 970162657)  
 00 - 738124 - 9 (970162657 > ON)  
**BOWL SUPPORT (incl. items \*)**  
**SUPPORT de Bol (compr. réf \*)**  
**Kesselhalter (inkl. Teile \*)**

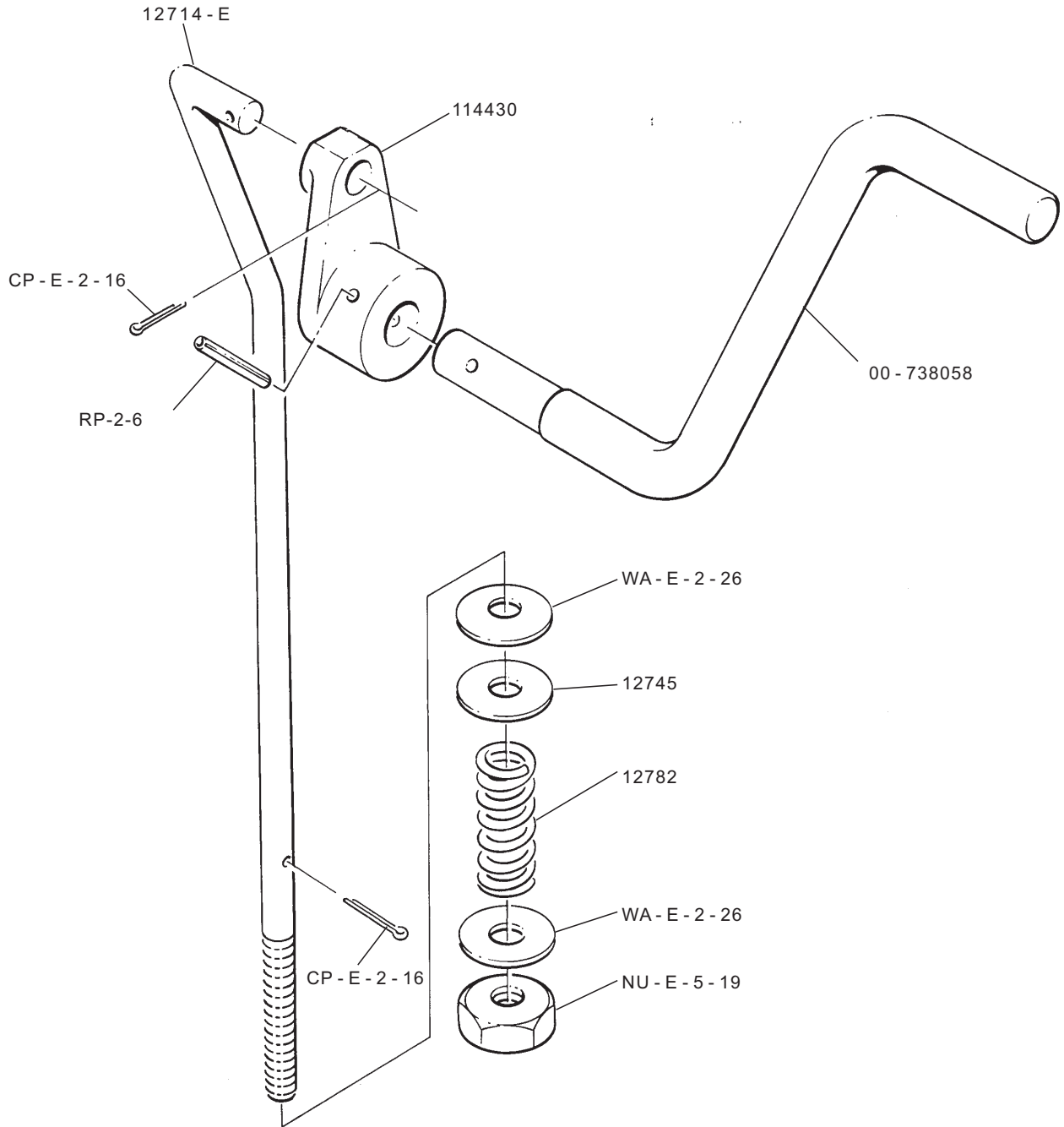


Transmission case  
Boîte de Vitesses  
Antriebsgehäuse

A200N

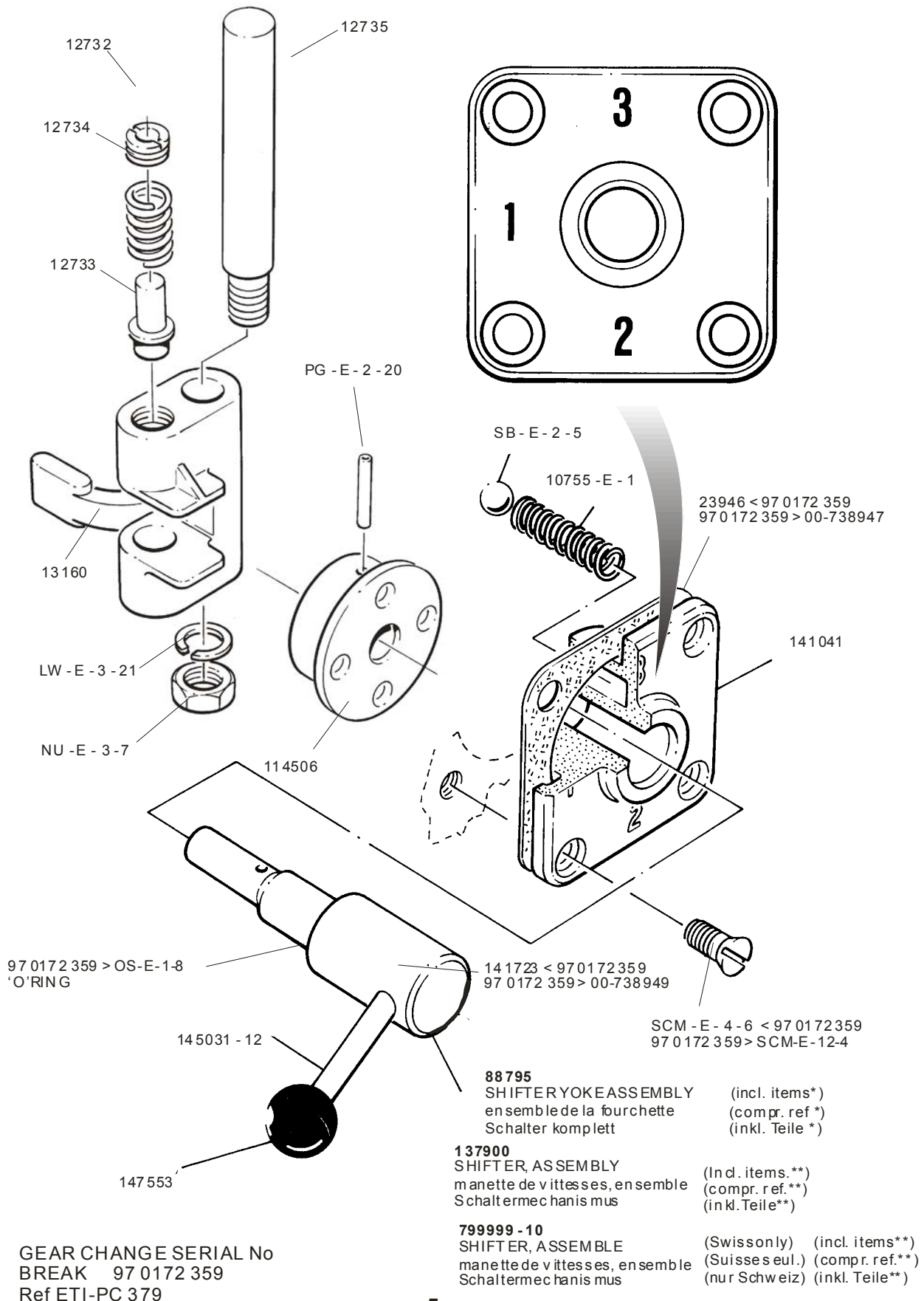
FOR MACHINES FROM SERIAL No 97 0186 894 A200-FIHE  
No 97 0186 957 A200-F3HE  
REFER TO APPENDIX 2 FOR PRIOR MACHINES

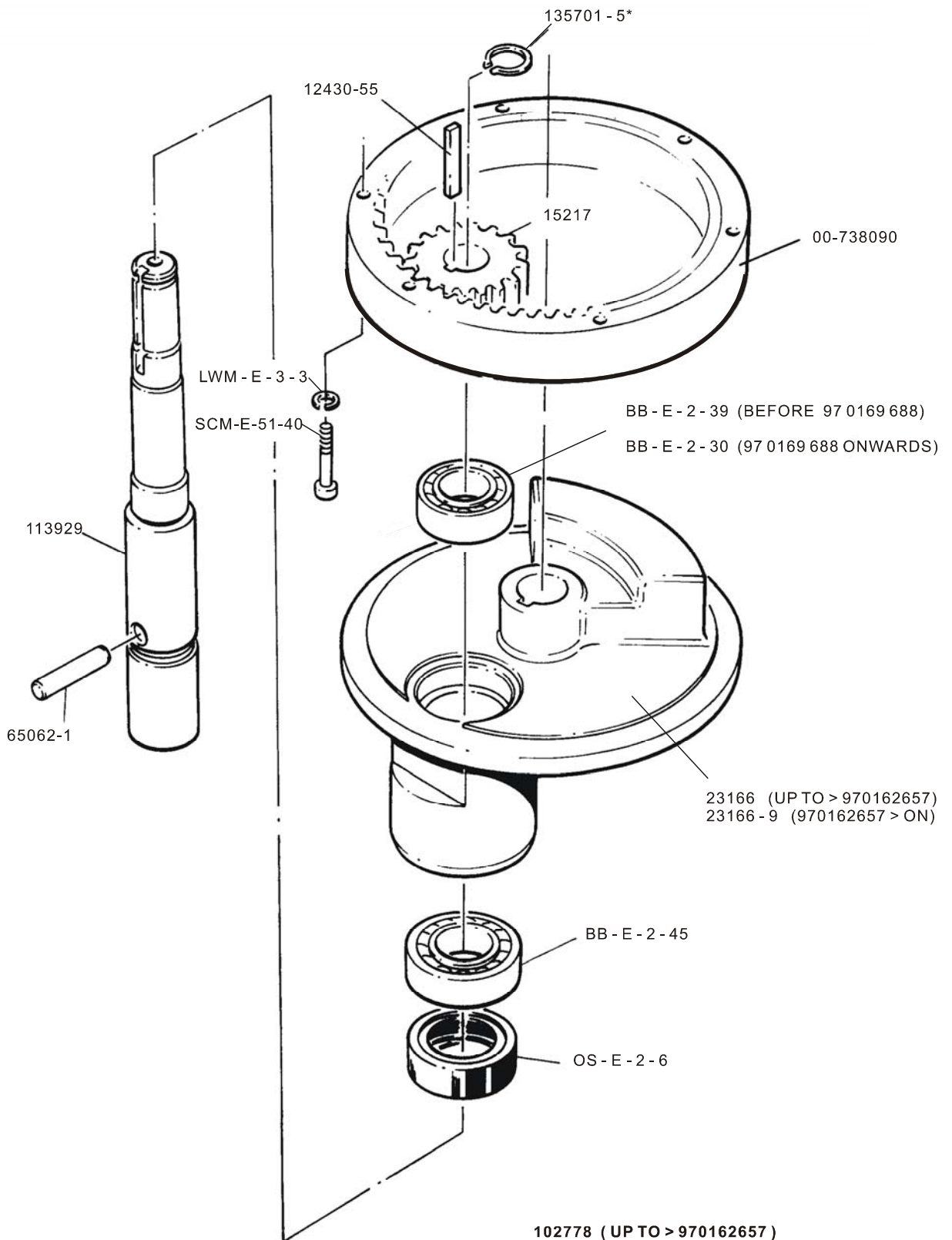




**Shifter Unit**  
**Changement de Vitesses**  
**Geschwindigkeitswahlschalter**

**A200N**

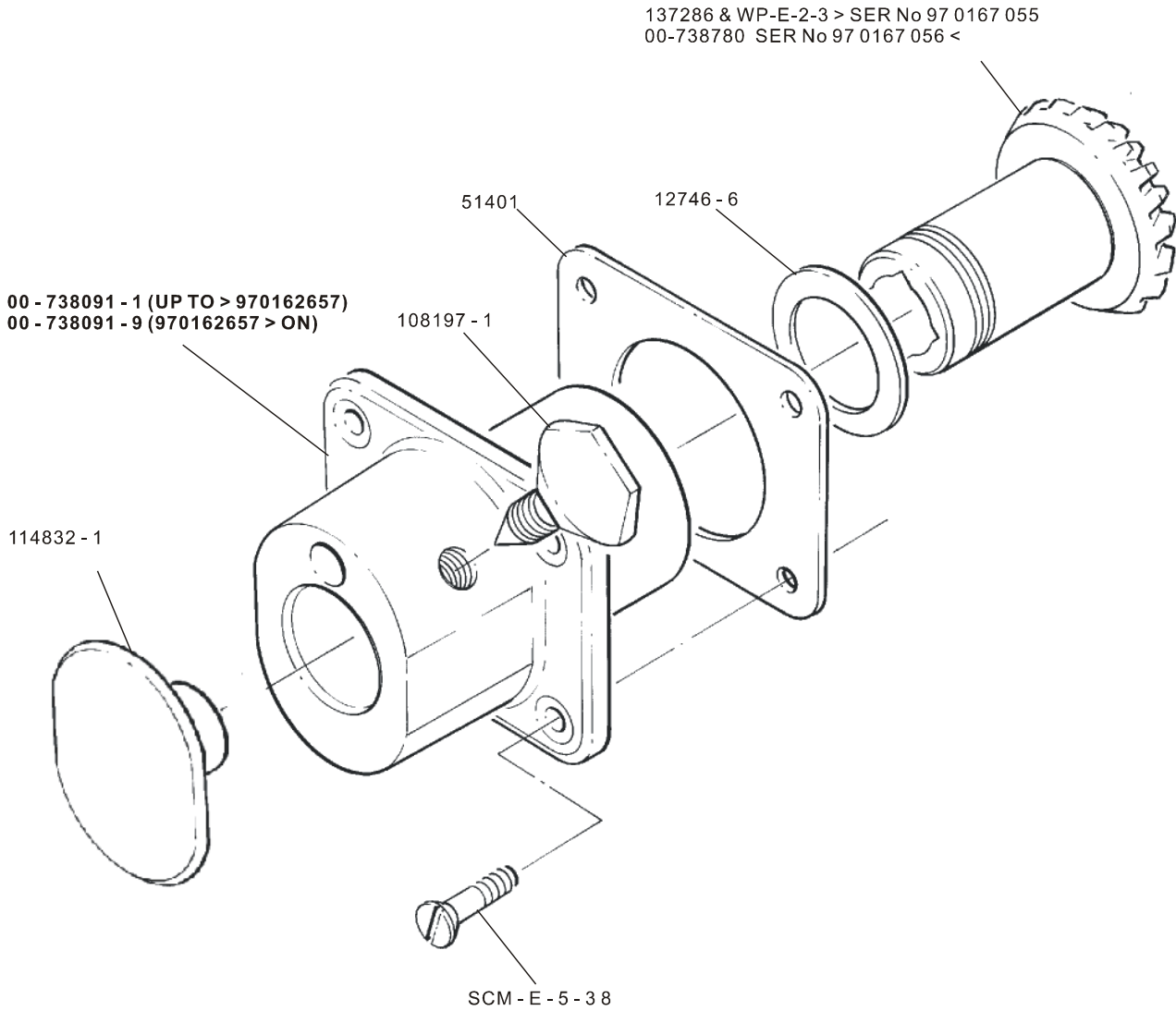




**102778 ( UP TO > 970162657 )**  
**102778-9 (970162657 > ON)**  
 PLANETARY, ASSEMBLY (incl. items \*)  
 planétaire, ensemble (compr. ref. \*)  
 Planetengetriebe, komplett (inkl. Teile \*)

**Attachment Hub Unit  
Canon Porte Accessoires  
Ansatznabe**

**A200N**

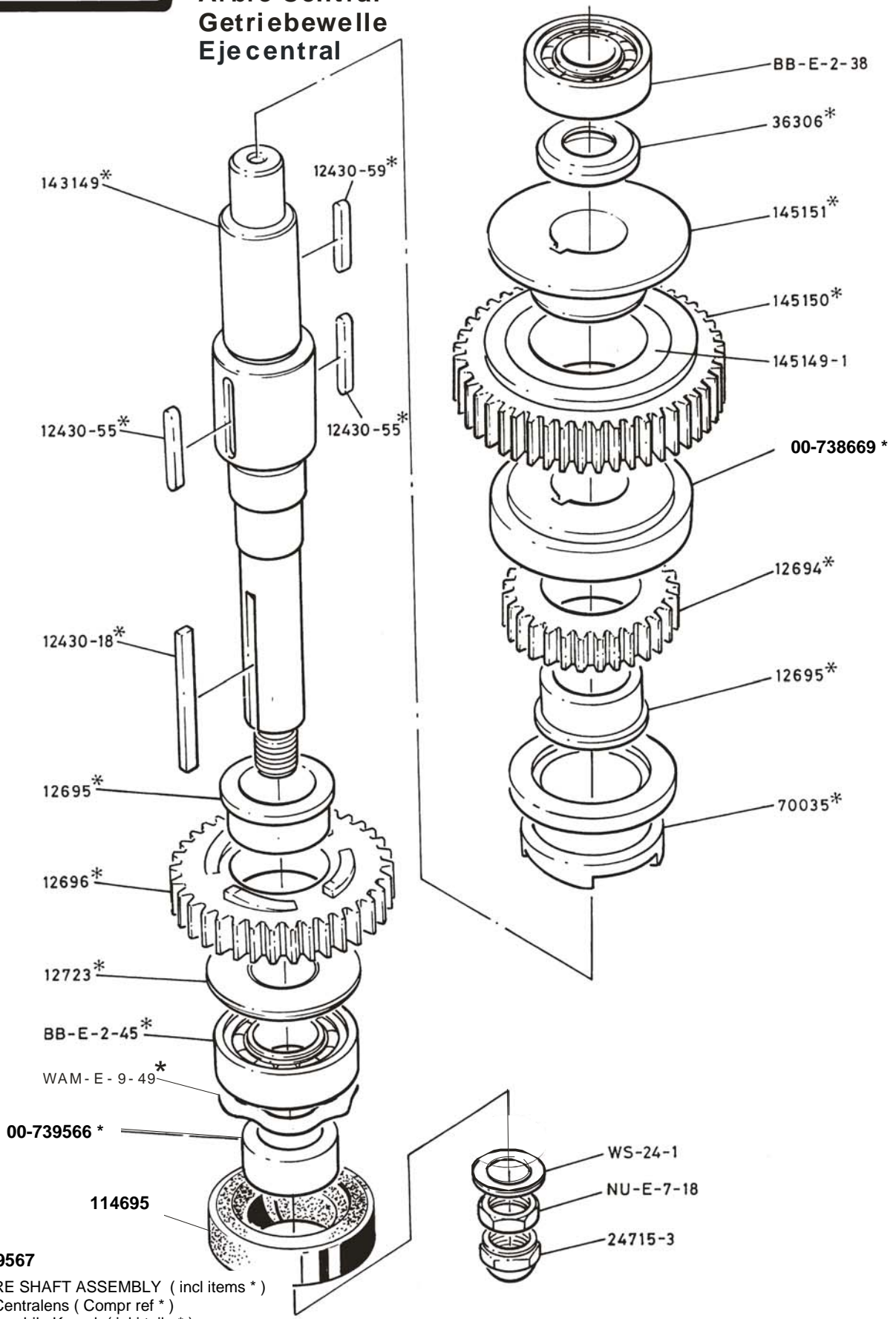






**Centre Shaft  
Arbre Central  
Getriebewelle  
Eje central**

FOR MACHINES FROM SERIAL No 97 0186 894 A200-FIHE  
No 97 0186 957 A200-F3HE  
REFER TO APPENDIX 3 FOR PRIOR MACHINES



**00-739567**

CENTRE SHAFT ASSEMBLY (incl items \*)  
Arbre Centralens ( Compr ref \*)  
Getriebewelle Kompl ( inki teile \*)

**Transmission Shaft  
Arbre Intermédiaire  
Antriebswelle**

**A200N**

Note NU-E-5-19 nut and thread on shaft 00-738102 removed from machines after 97 0167 675

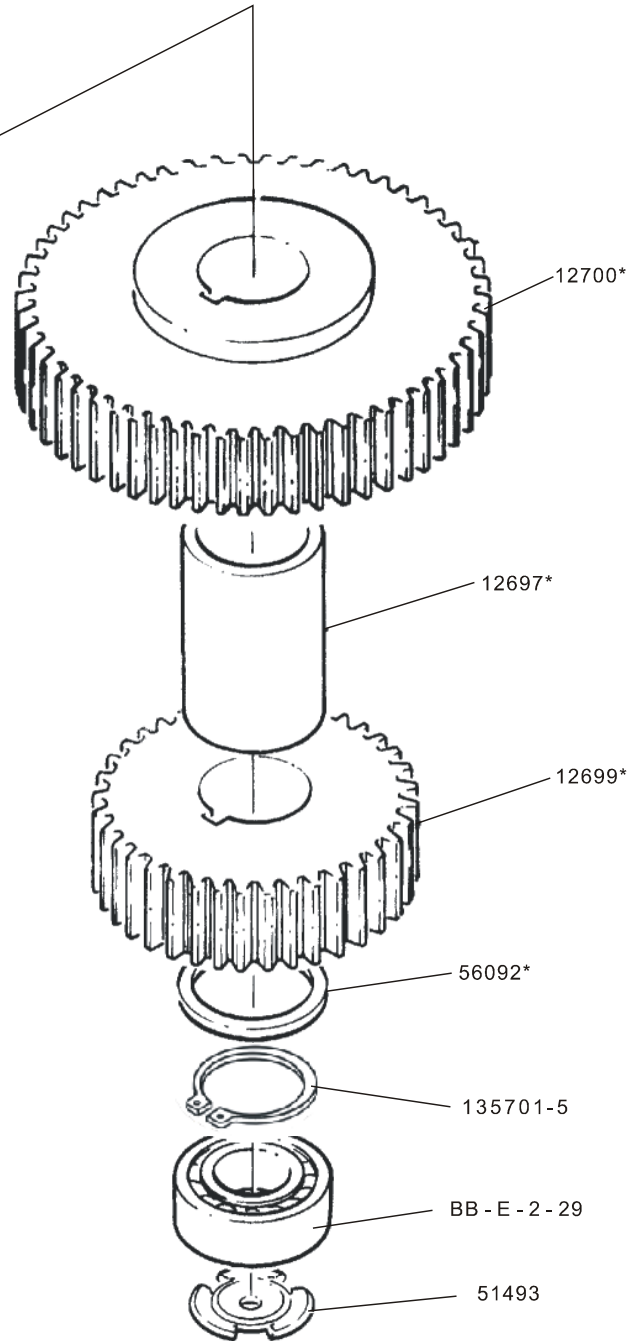
BB - E - 2 - 29

12744  
incorporated  
into the shaft  
00-738102

109070 - 18\*

00 - 738102

109070 - 18\*

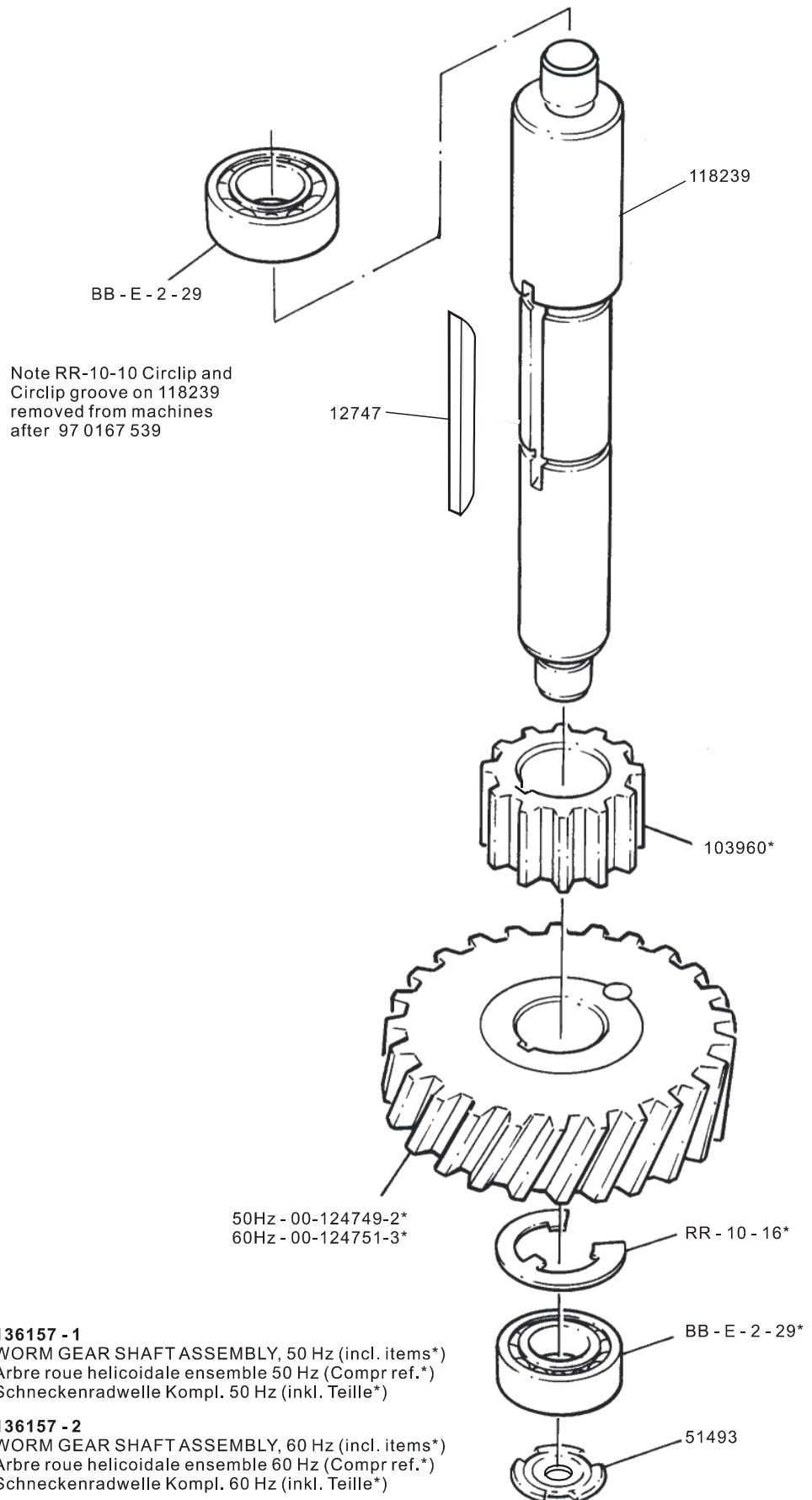


**00 - 738115**  
TRANSMISSION SHAFT, ASSEMBLY (incl. item\*)  
arbre intermédiaire, ensemble (compr. ref.\*)  
Antriebswelle, komplett (inkl. Teile\*)



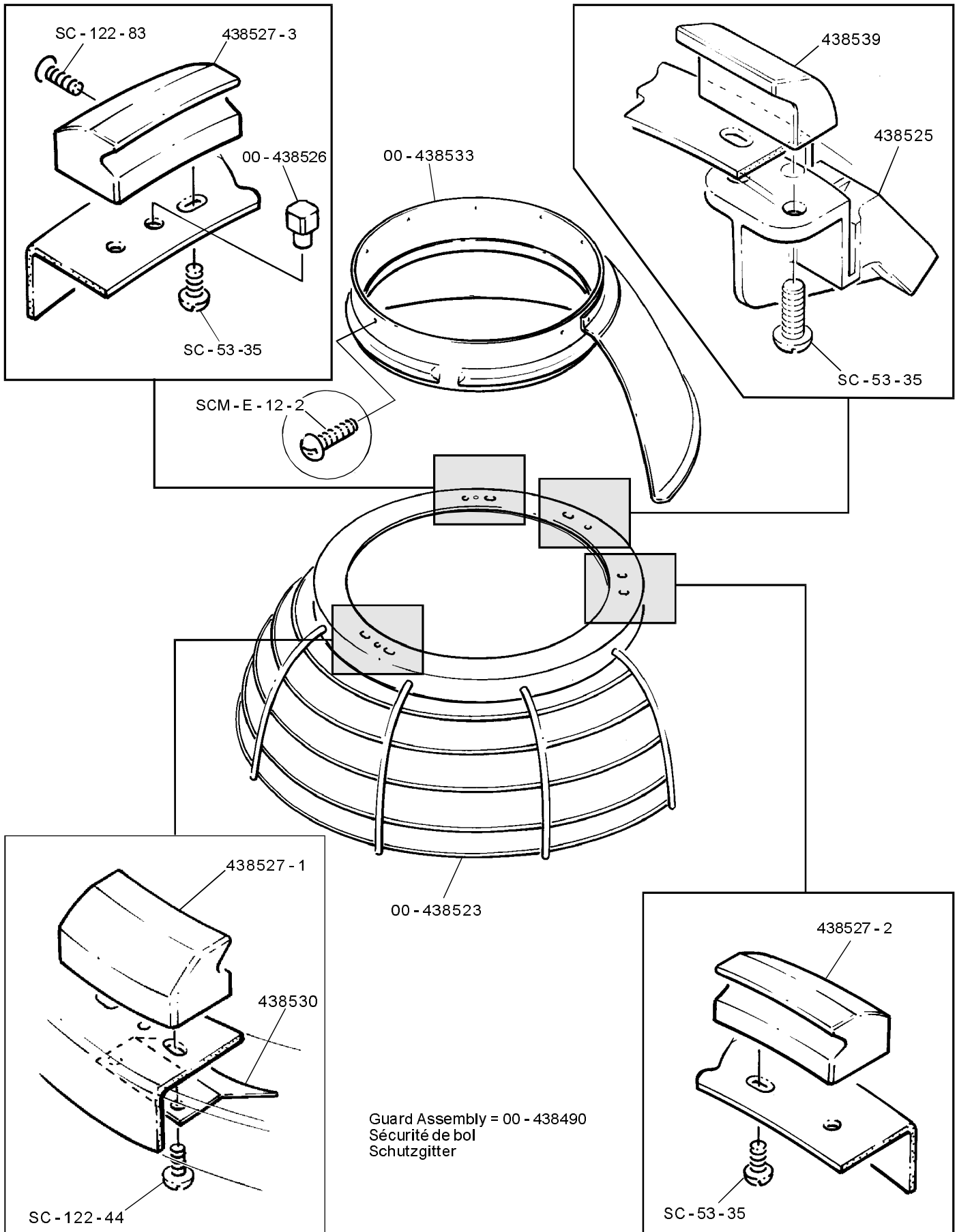
**Worm Gear shaft  
Arbre roue hélicoïdale  
Schneckenradwelle**

**A200N**



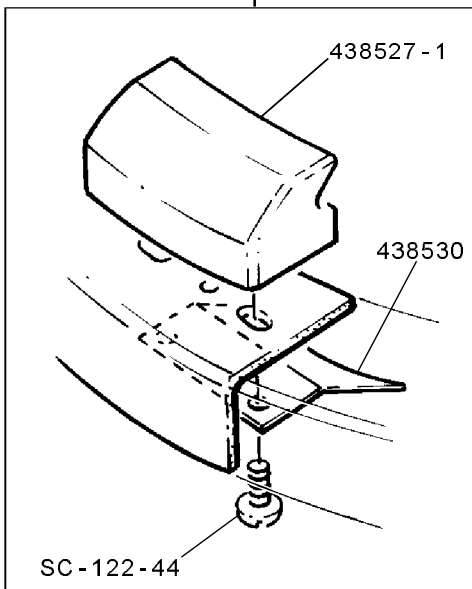
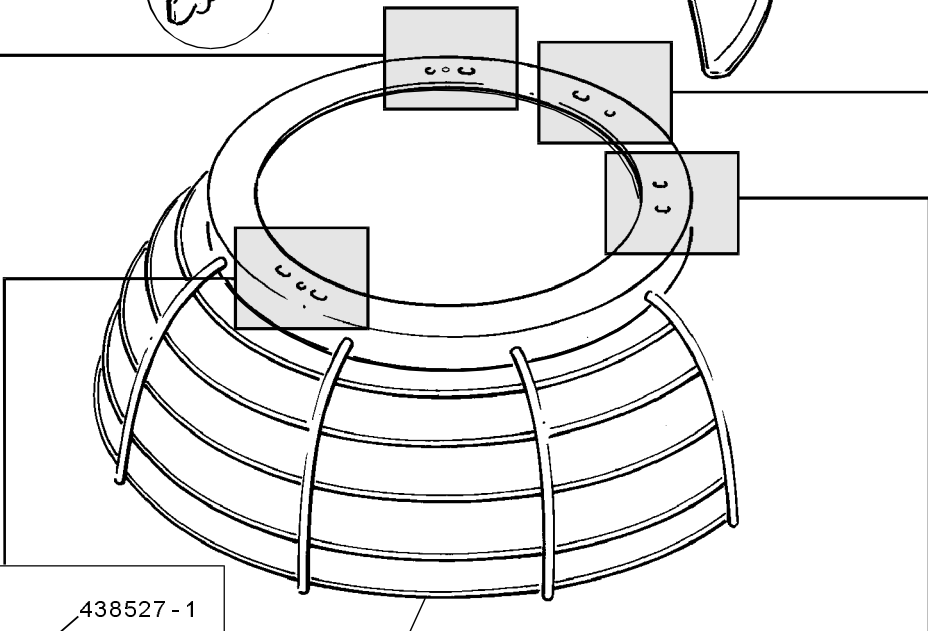
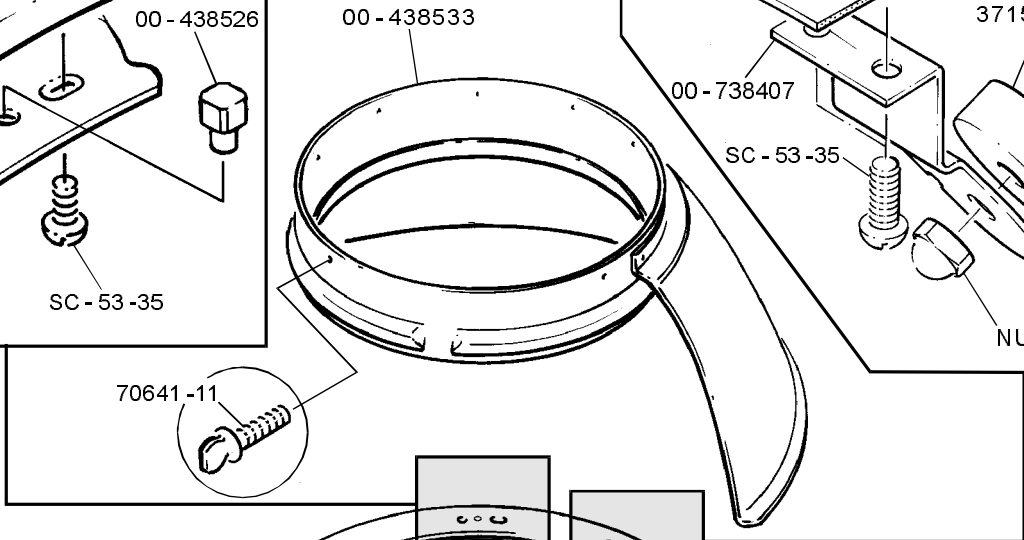
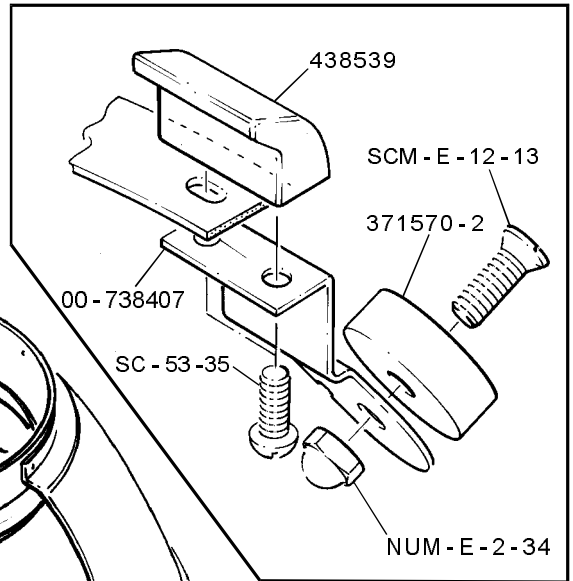
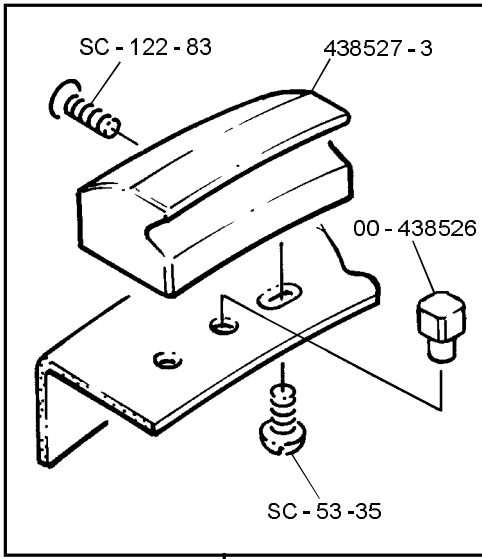
**Guard Assembly**  
**Sécurité de bol**  
**Schutzgitter**

**A200N**

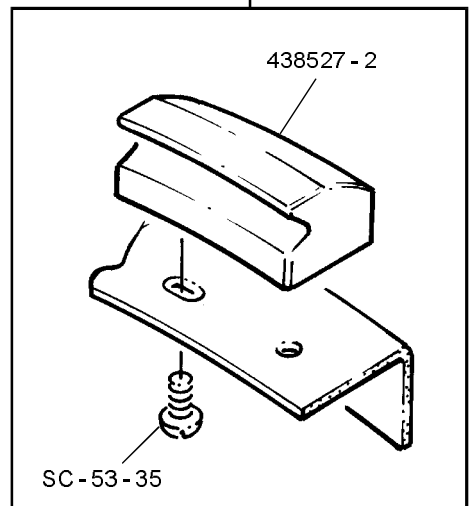




Guard Assembly (GERMAN)  
Sécurité de bol  
Schutzgitter



Guard Assembly = 00 - 738451  
Sécurité de bol  
Schutzgitter

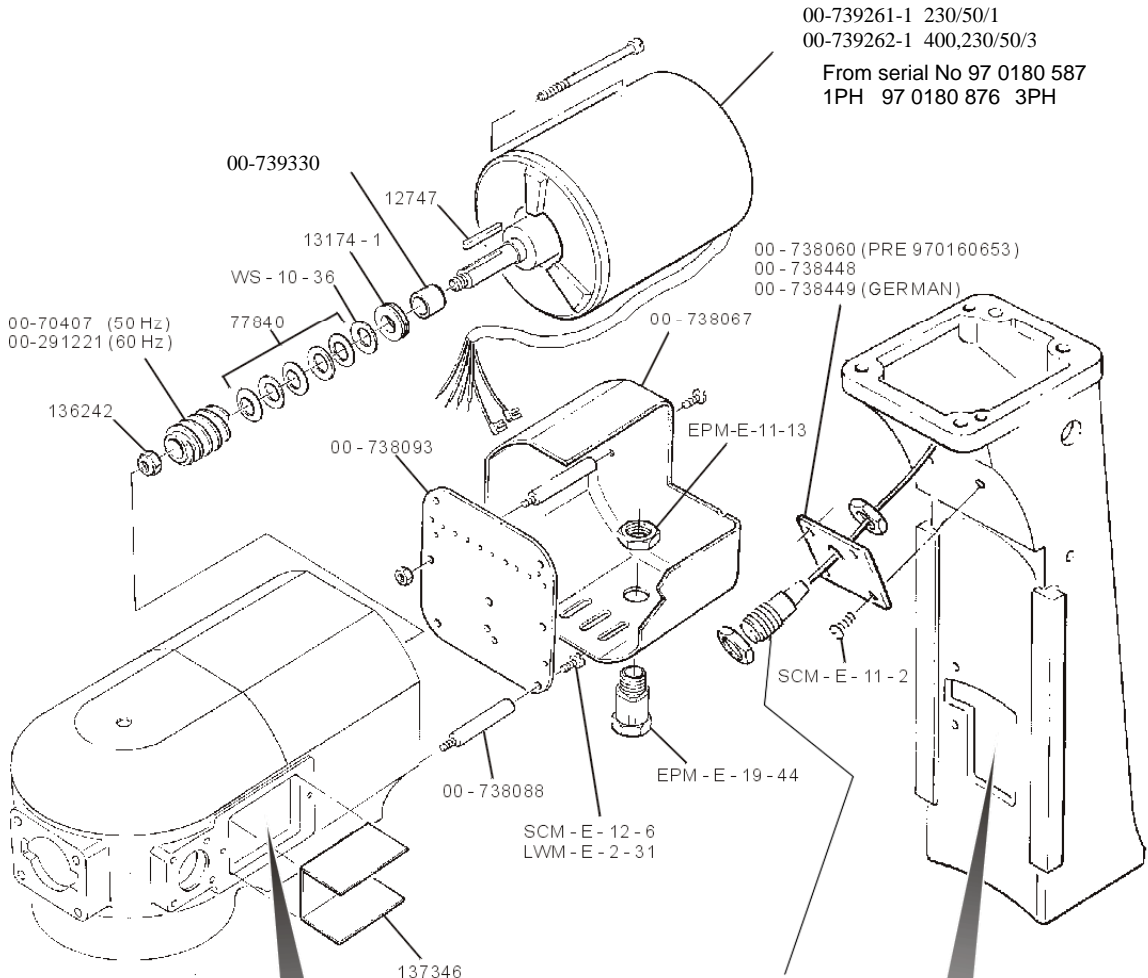




**Electrical parts  
Pièces Electriques  
Elektoteile**

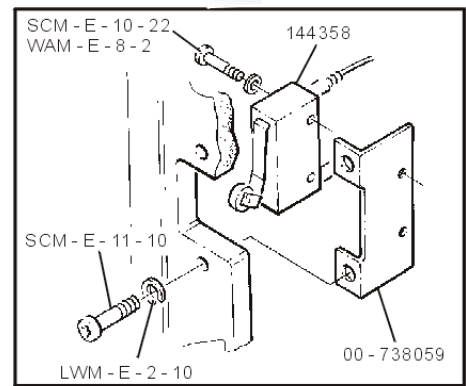
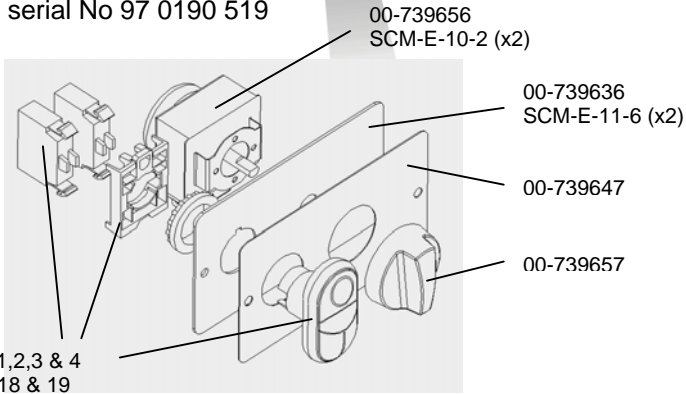
**A200N**

See appendix page 1 and 4



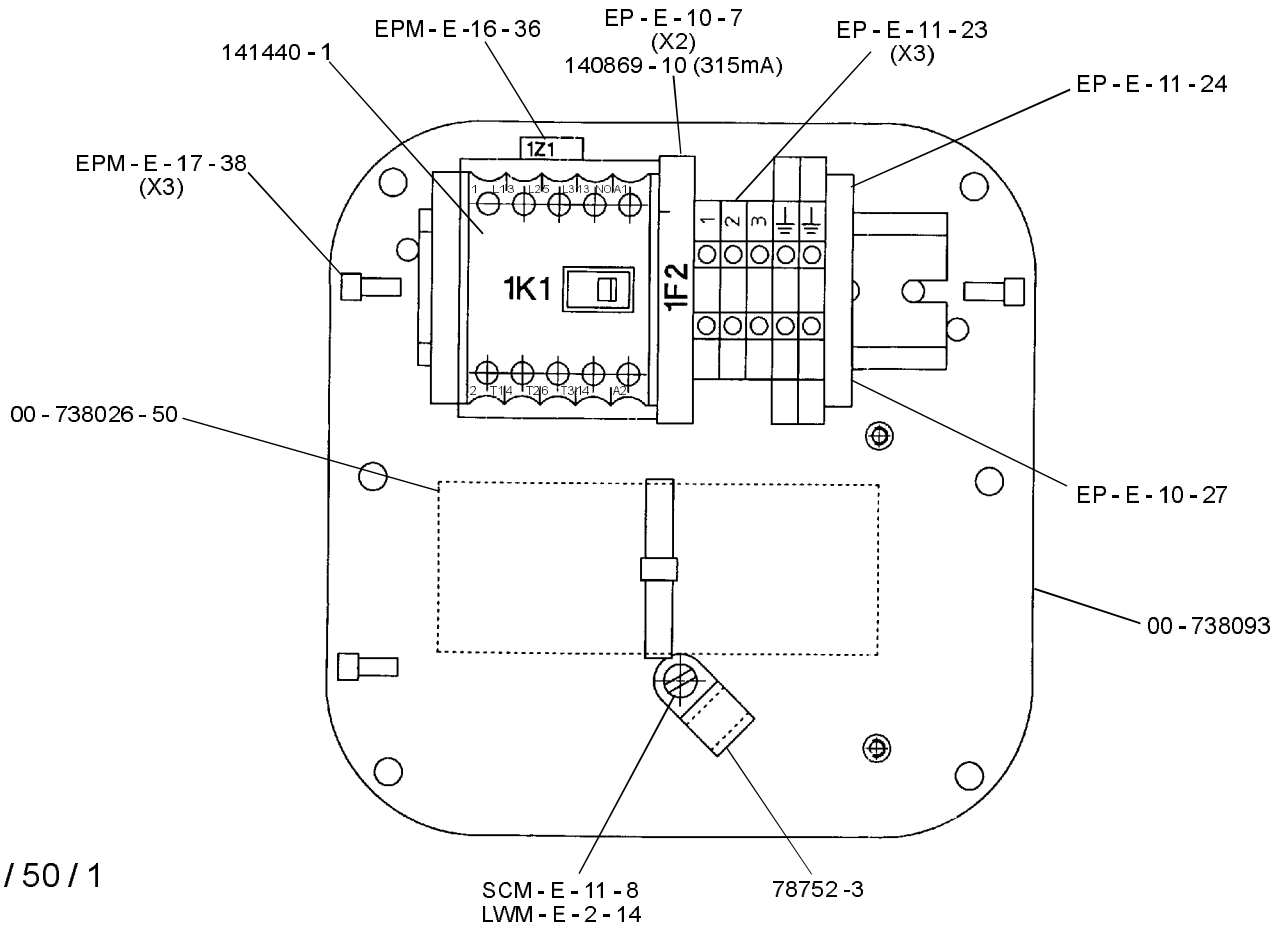
See page 17,18 & 19

Switch plate and timer  
from serial No 97 0190 519

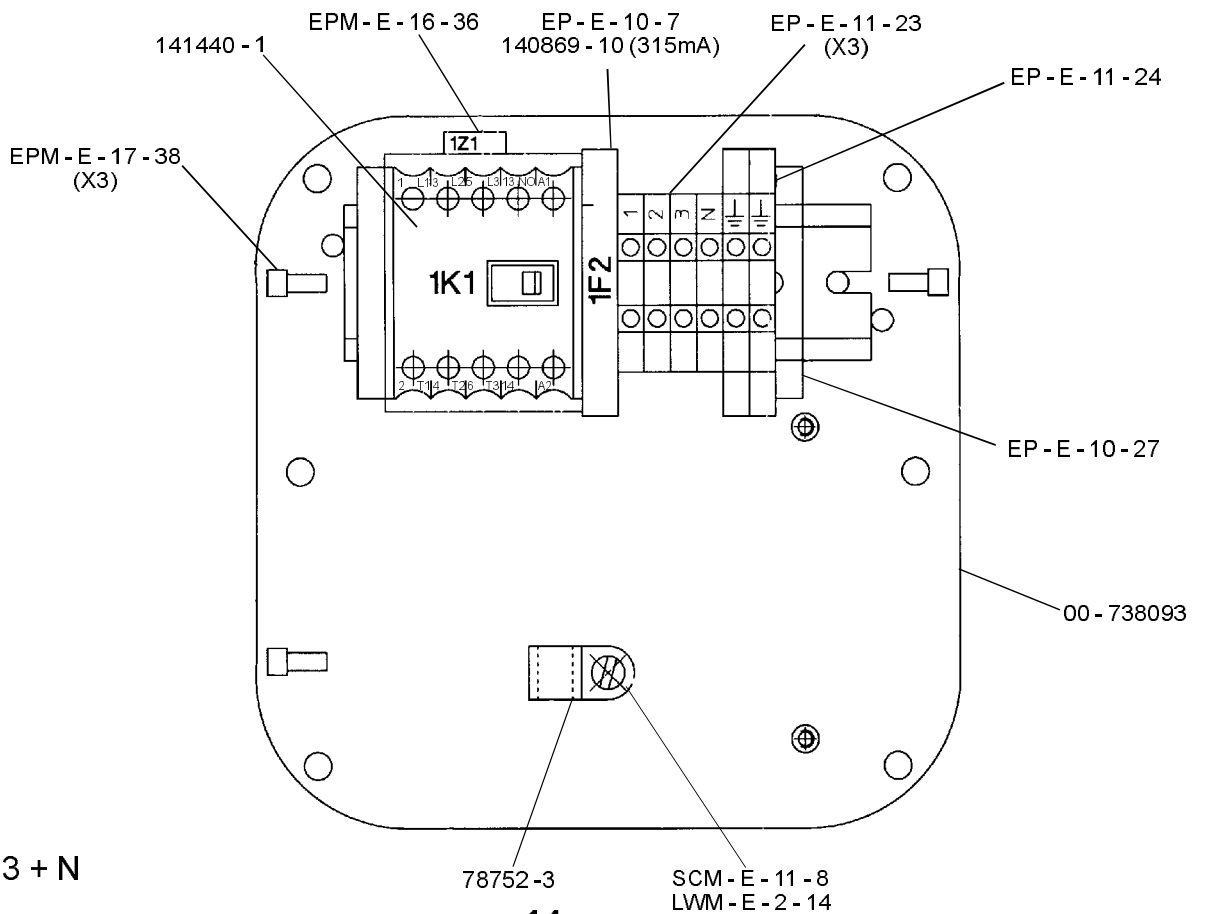




# Electrical Parts (230v/50/1 & 400/50/3+N) Auxiliares eléctricas Electroteile



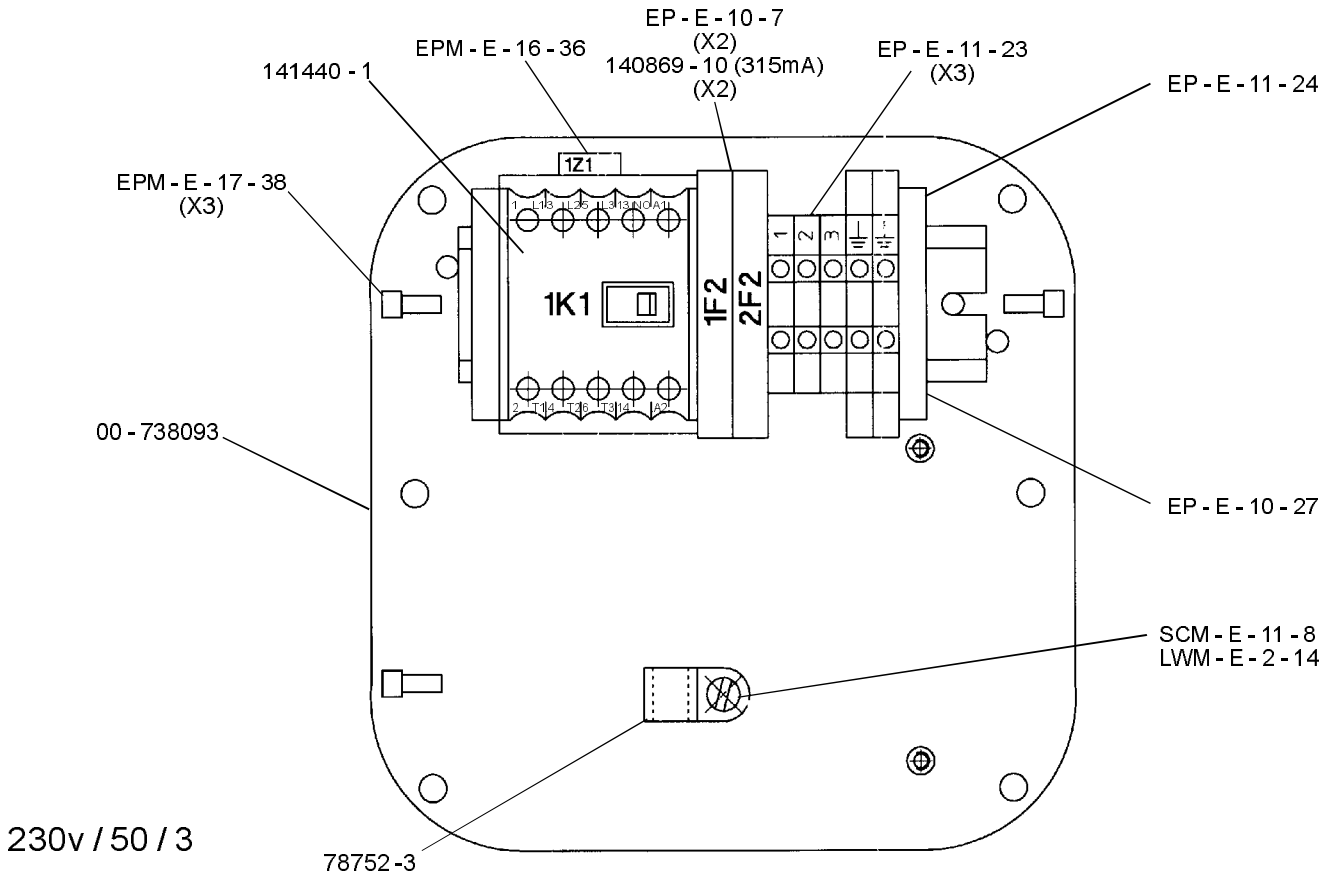
230v / 50 / 1



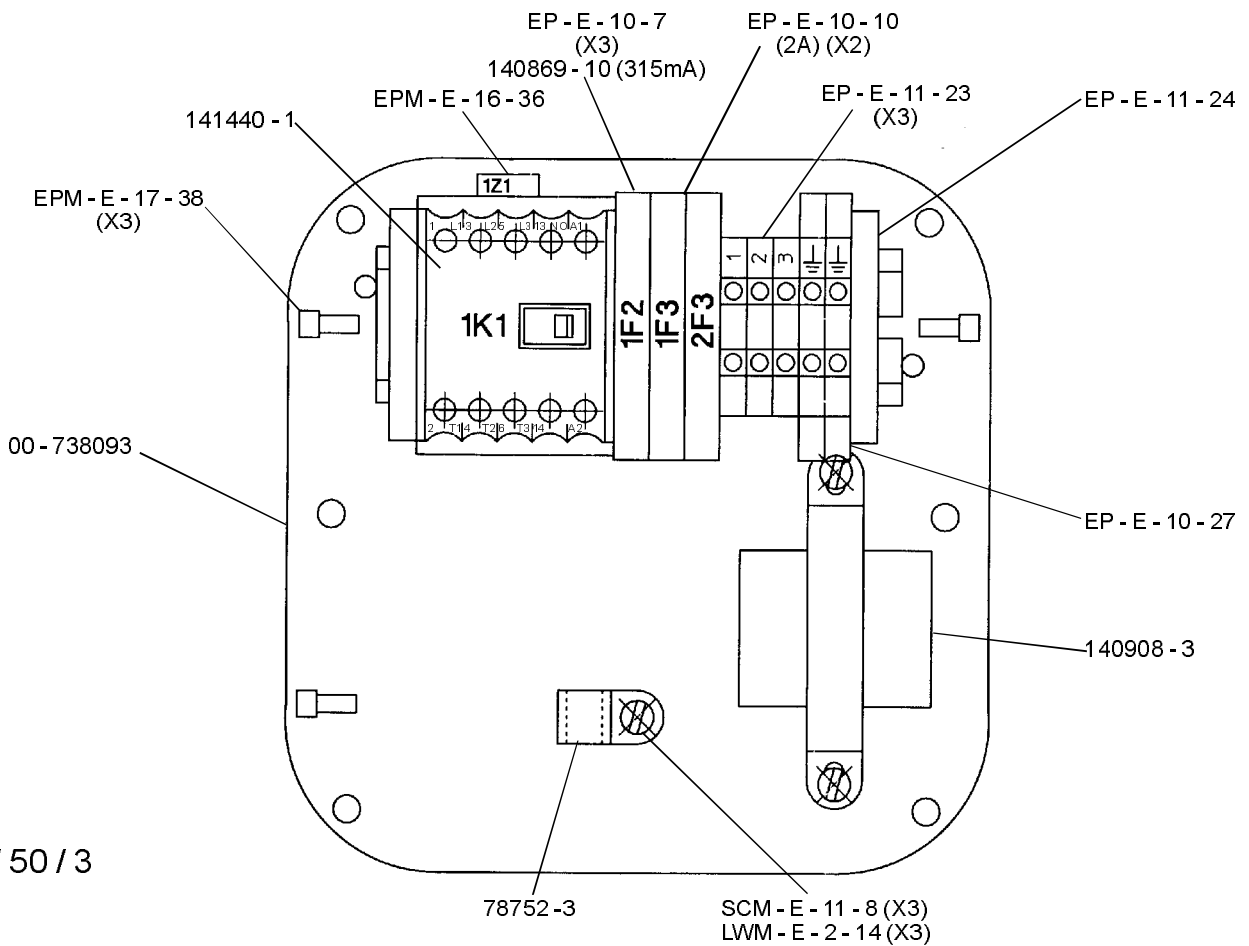
400 / 50 / 3 + N

**Electrical Parts (230v/50/3 & 400/50/3)**  
**Auxiliares eléctricas**  
**Electroteile**

**A200N**



230v / 50 / 3

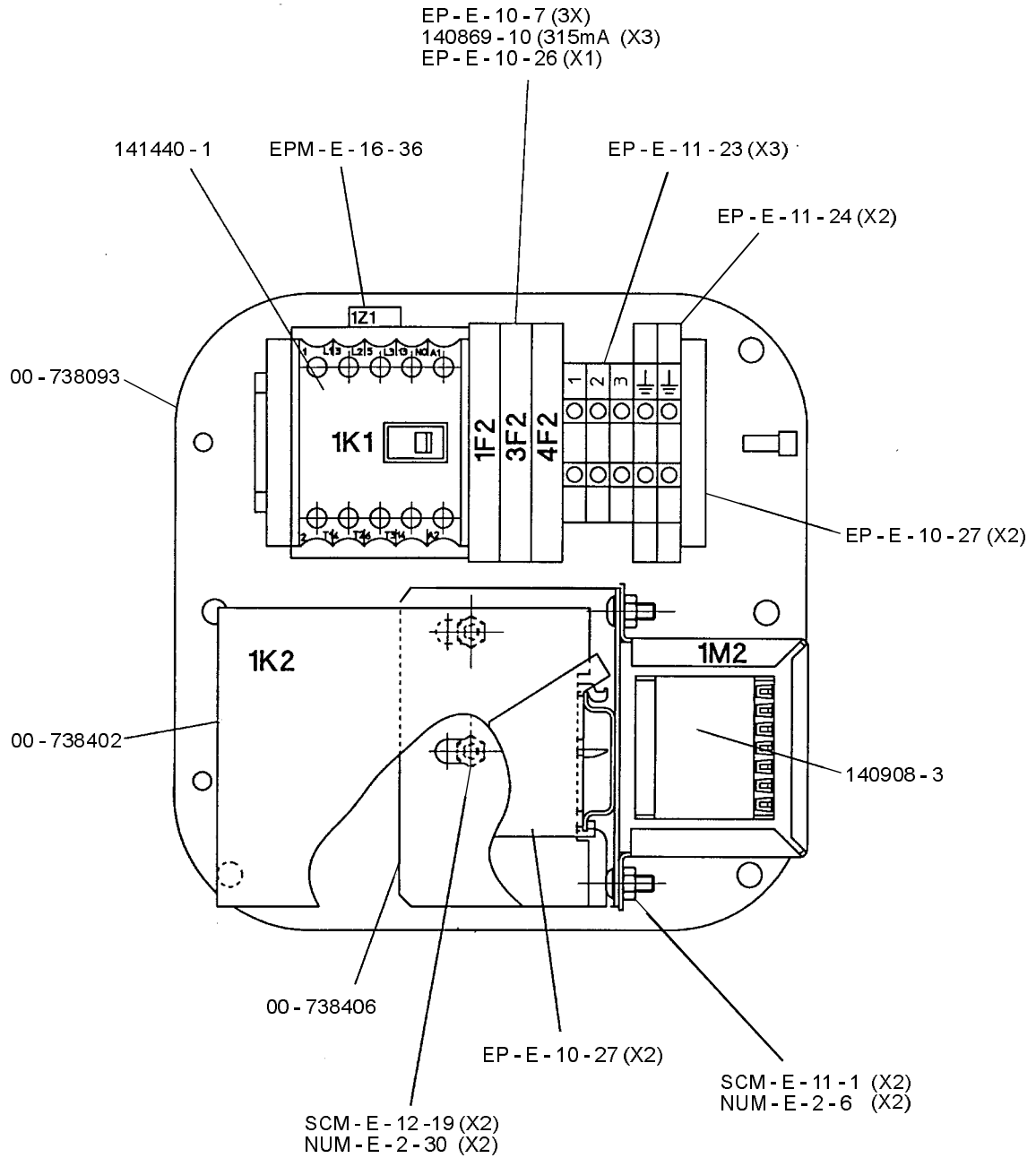


400 / 50 / 3



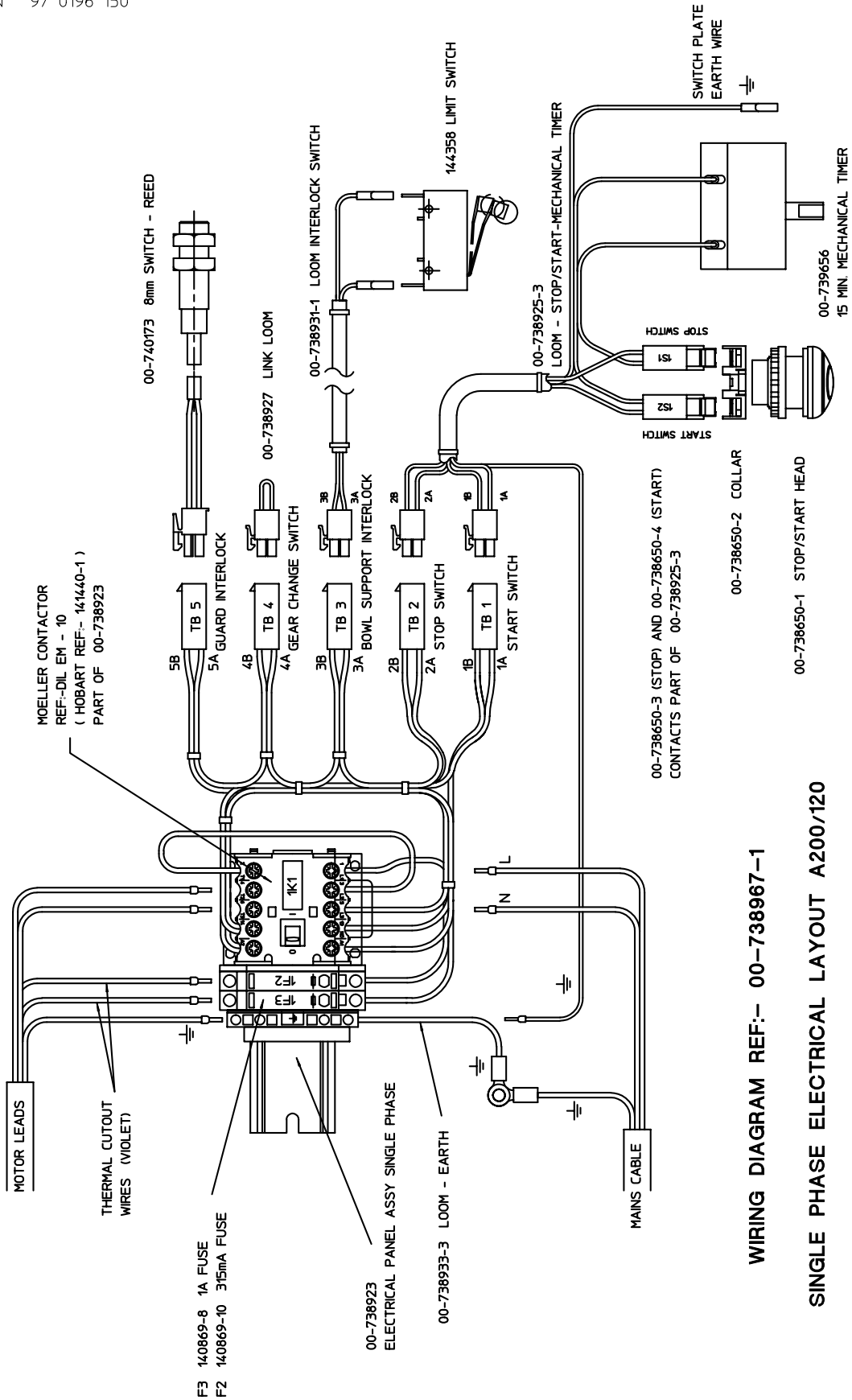


# Electrical Parts (400/50/3 GERMAN) Auxiliares eléctricas Electroteile



400/50/3 (GERMAN)

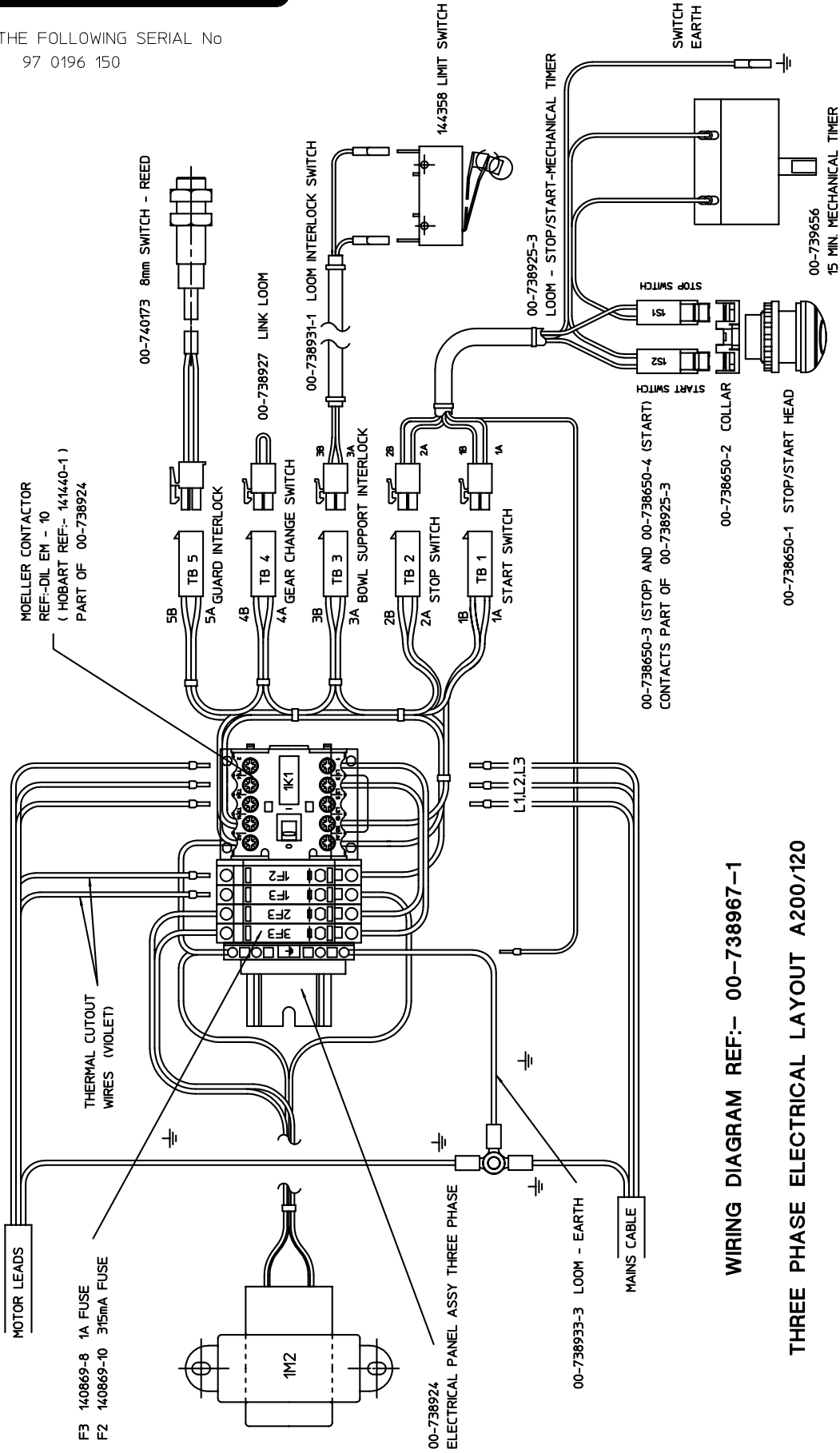
FROM THE FOLLOWING SERIAL No  
A120/200N 97 0196 150



WIRING DIAGRAM REF:- 00-738967-1

SINGLE PHASE ELECTRICAL LAYOUT A200/120

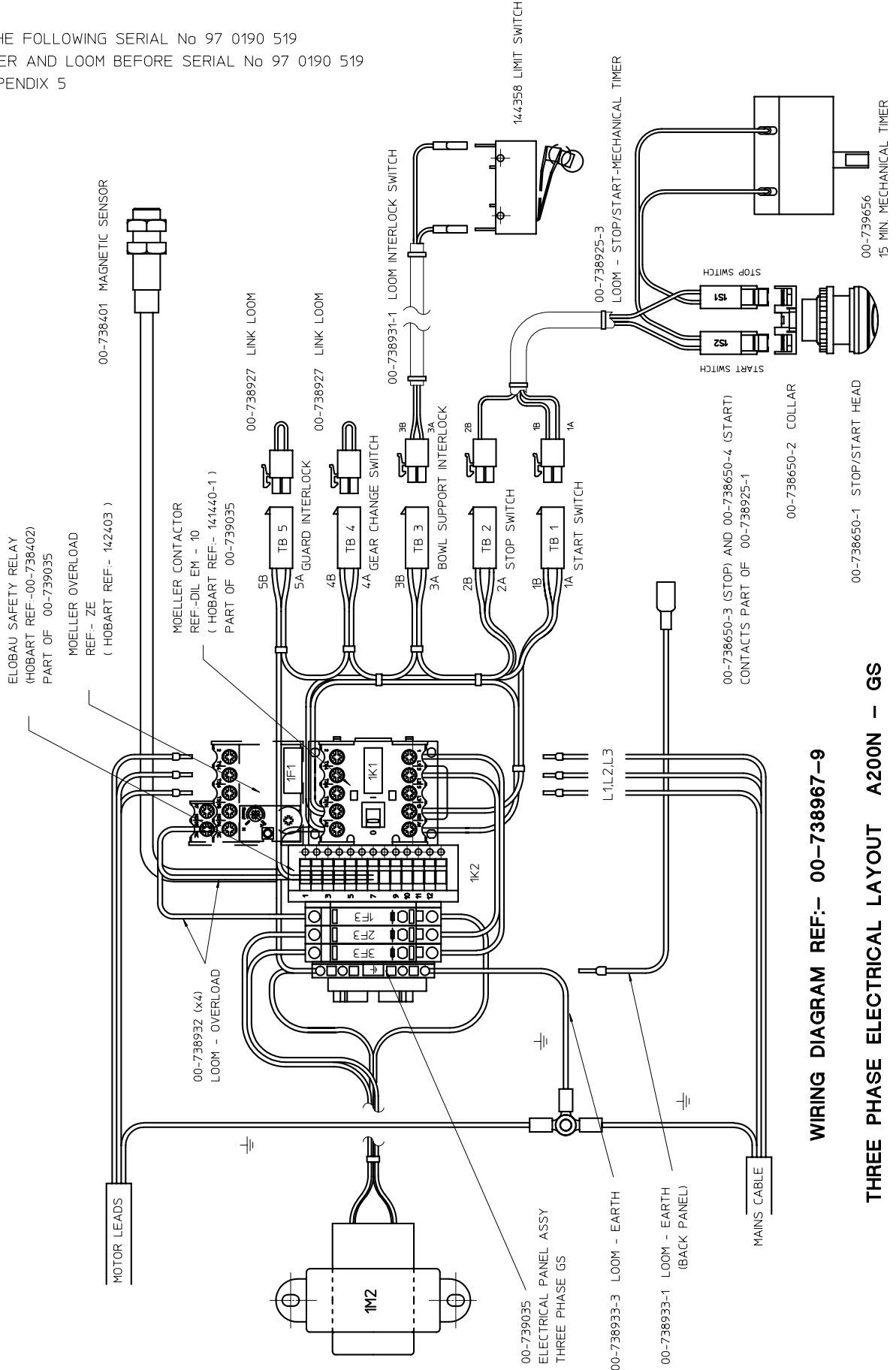
FROM THE FOLLOWING SERIAL No  
A200N 97 0196 150

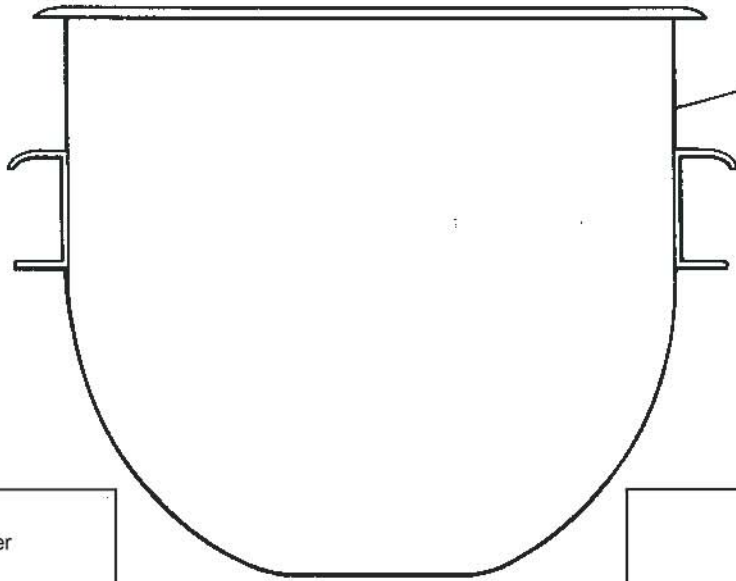


WIRING DIAGRAM REF:- 00-738967-1

THREE PHASE ELECTRICAL LAYOUT A200/120

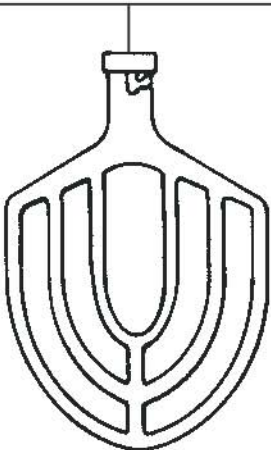
FROM THE FOLLOWING SERIAL No 97 0190 519  
 FOR TIMER AND LOOM BEFORE SERIAL No 97 0190 519  
 SEE APPENDIX 5



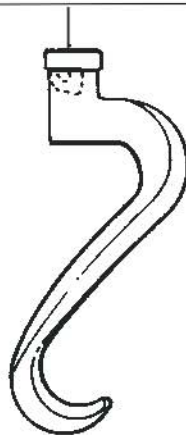


62104 20qt  
00-738450 10qt

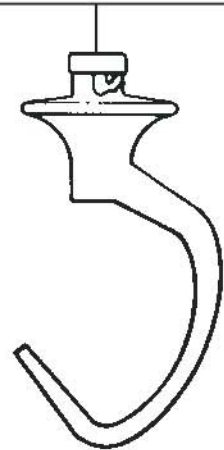
23126	20Lt "B" Beater
136915	10Lt "B" Beater
275559	20Lt "B" Beater ST.ST
136915-1	10Lt "B" Beater ST.ST



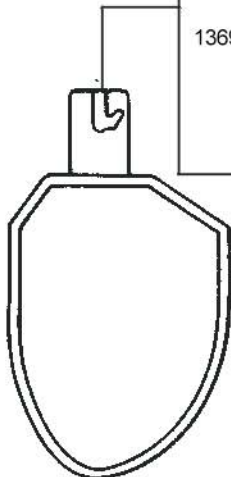
40293	20Lt "ED" Hook
-------	----------------



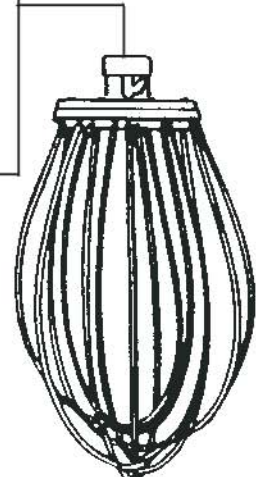
136912	10Lt "E" Hook
--------	---------------



74286	20Lt "PK" Pastry knife
136914-2	10Lt "PK" Pastry knife ST.ST



23511-M	20D Whip
140249	10D Whip

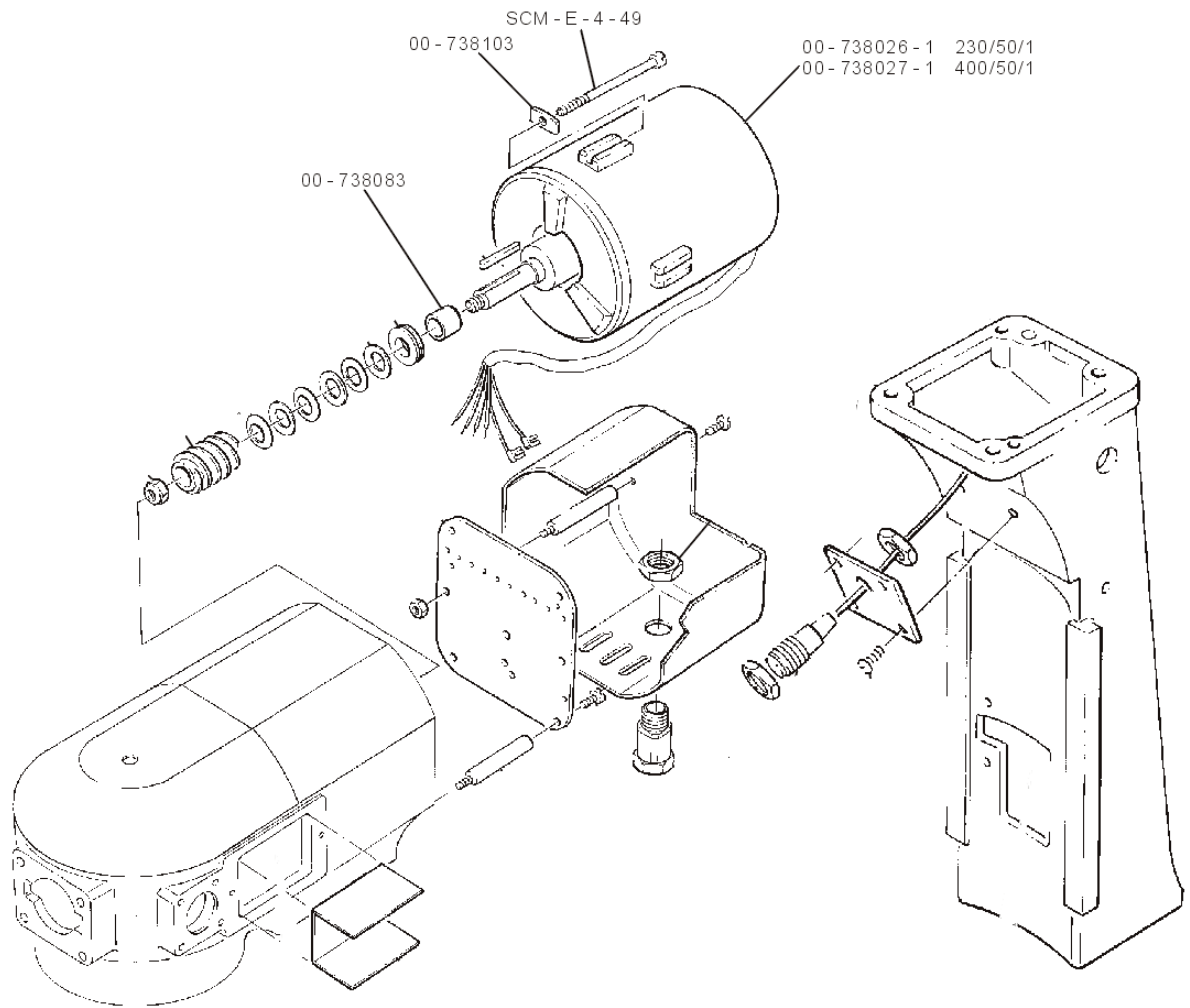


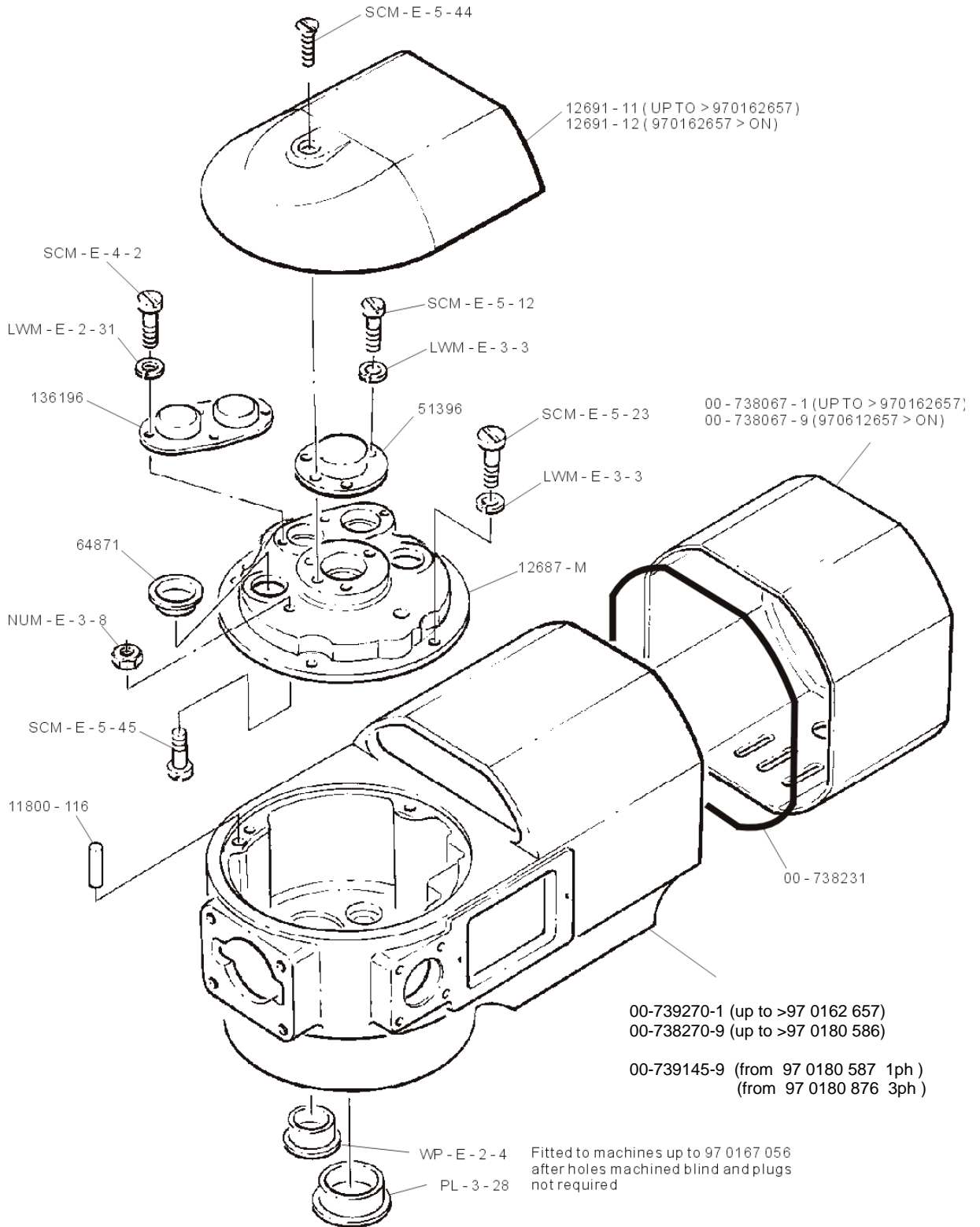


Electrical parts  
Pièces Electriques  
Elektoteile

A200N

Before serial No 97 0180 587 1PH 97 0180 876 3PH

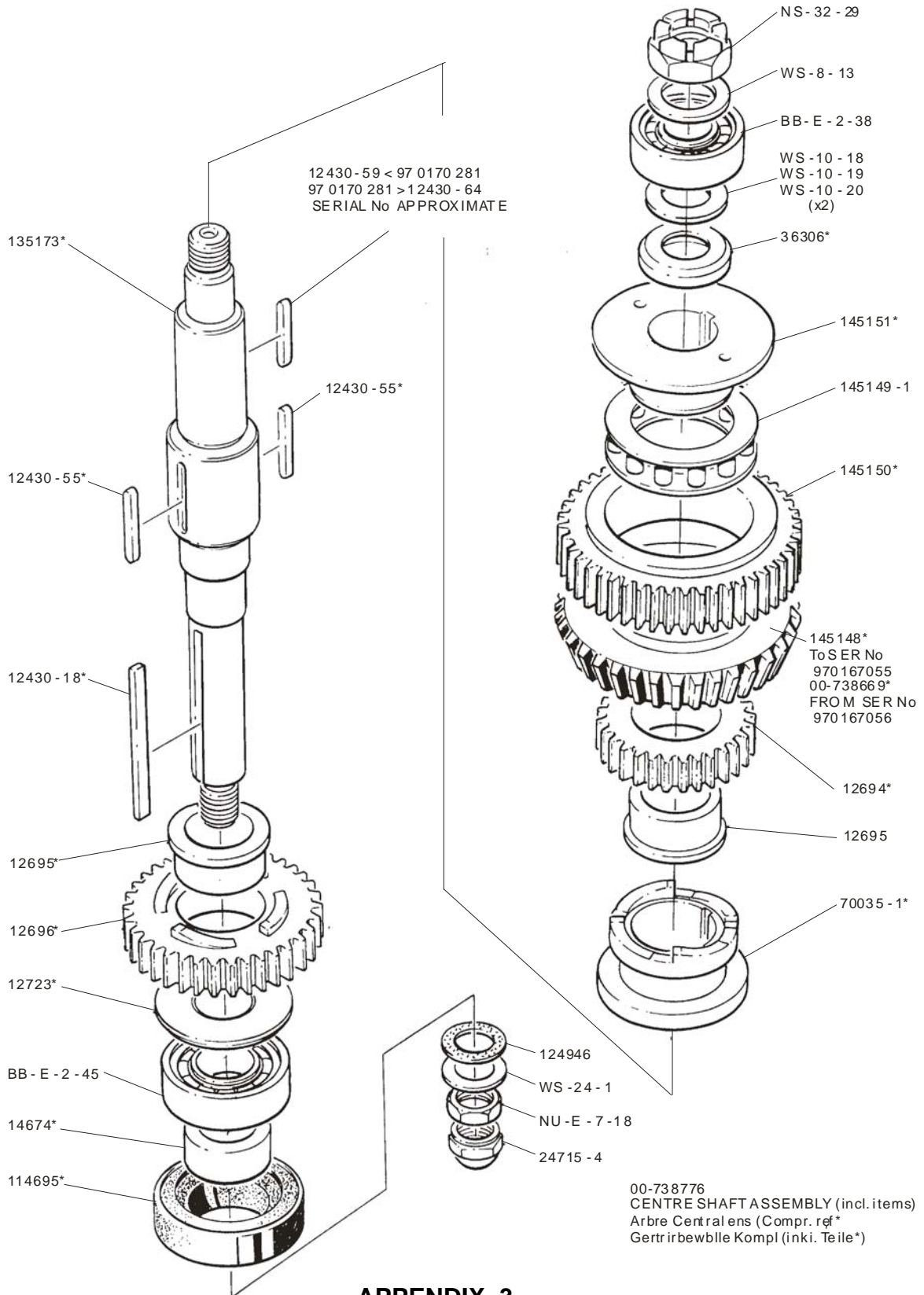






Transmission case  
Boîte de Vitesses  
Antriebsgehäuse

A200N



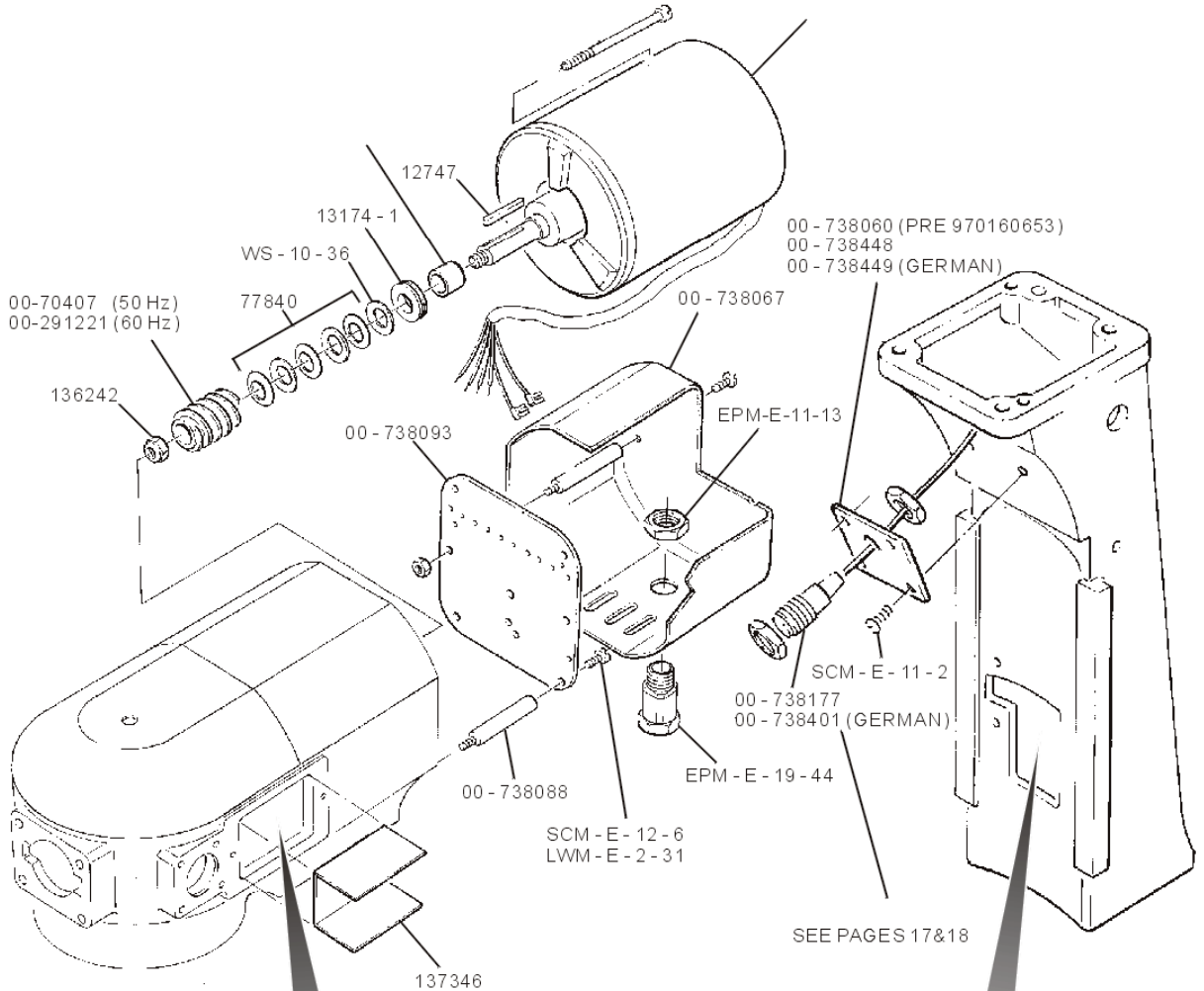
APPENDIX 3



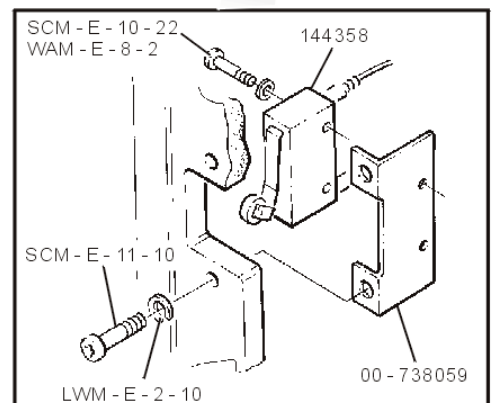
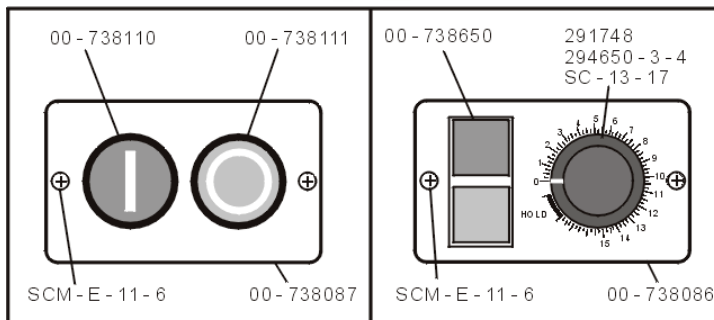


**Electrical parts  
Pièces Electriques  
Elektoteile**

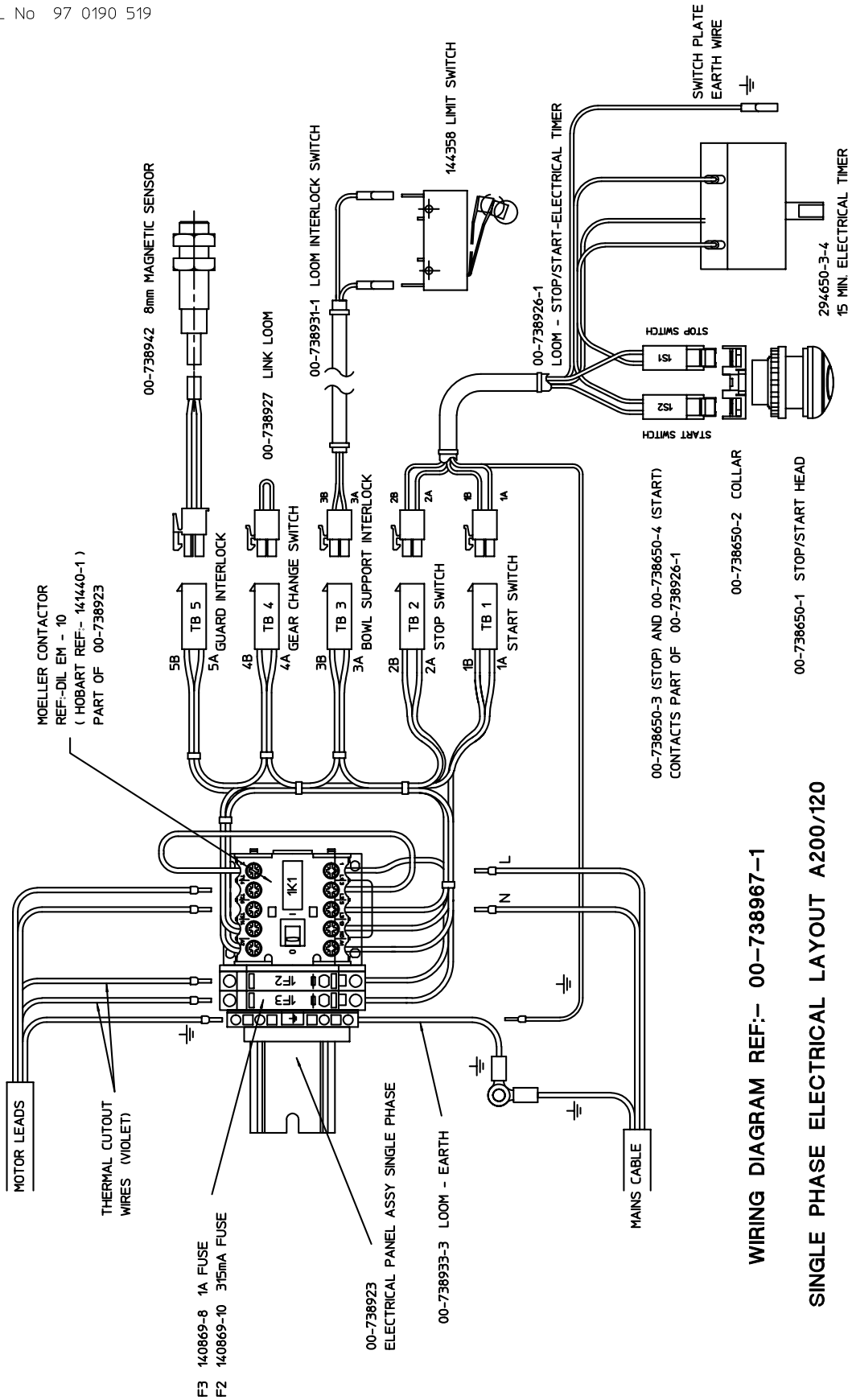
**A200N**



Switch plates  
before serial No 97 0190 519



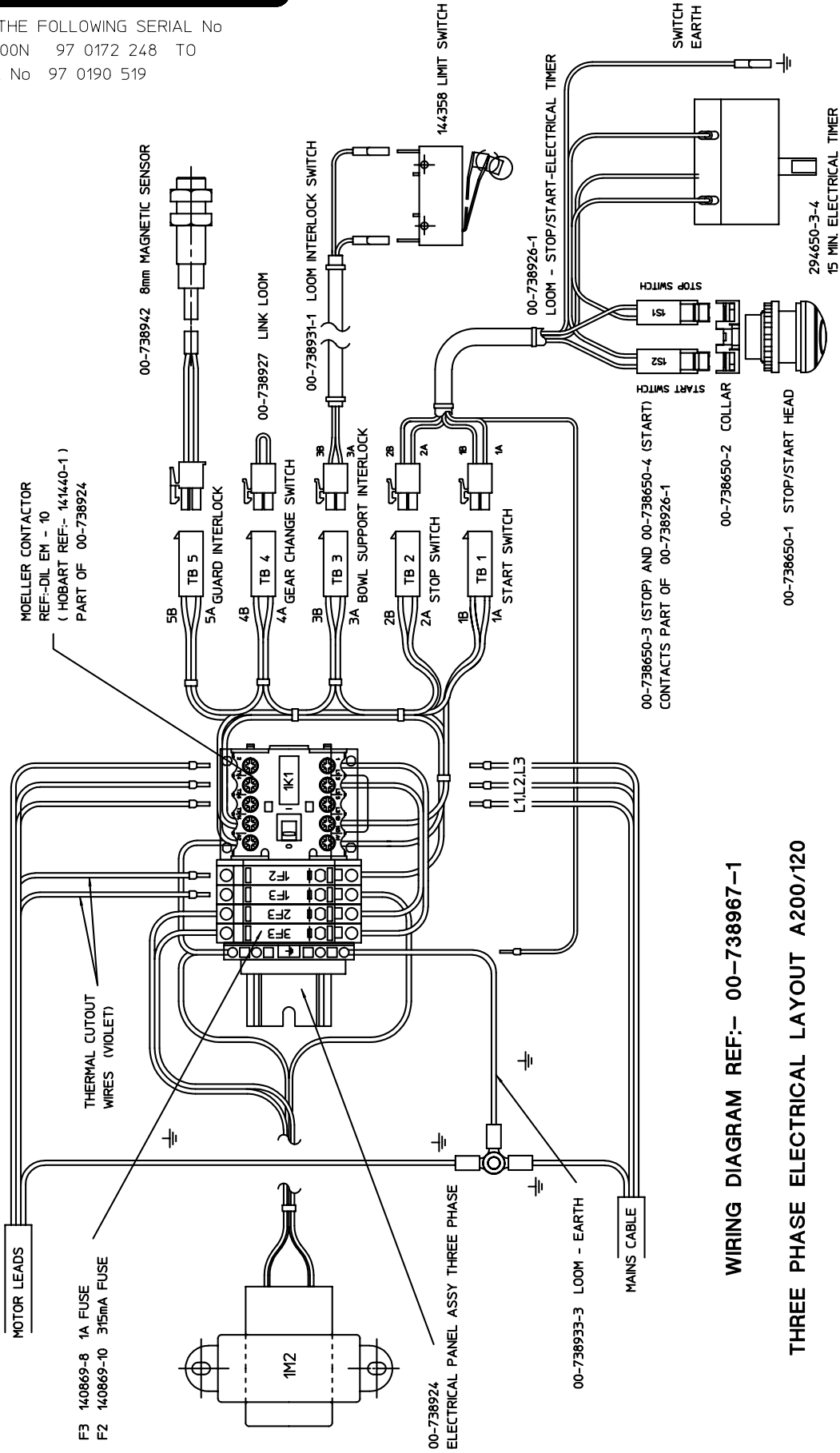
FROM THE FOLLOWING SERIAL No  
 A120/200N 97 0172 672  
 TO SERIAL No 97 0190 519



WIRING DIAGRAM REF:- 00-738967-1

SINGLE PHASE ELECTRICAL LAYOUT A200/120

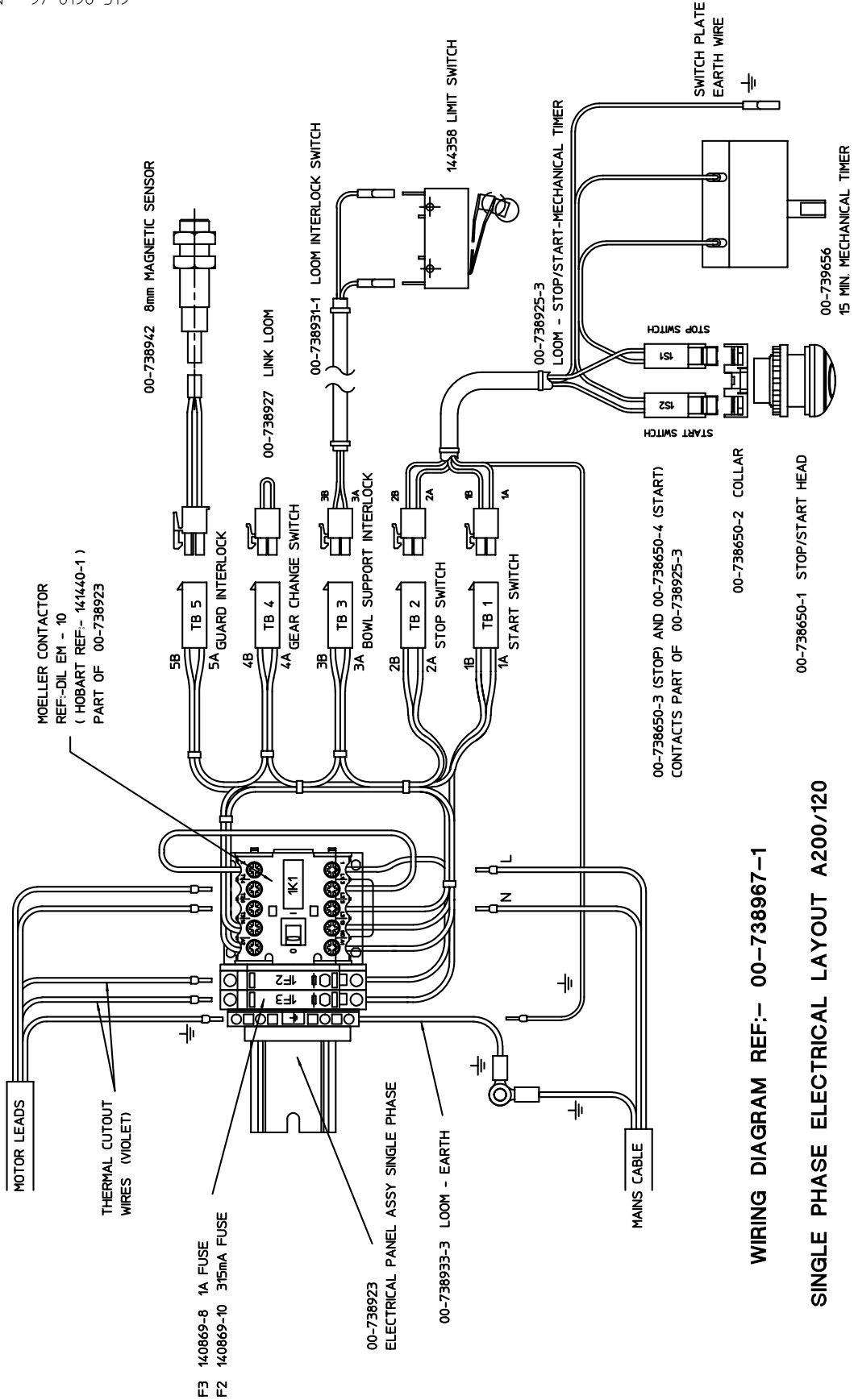
FROM THE FOLLOWING SERIAL No  
 A120/200N 97 0172 248 TO  
 SERIAL No 97 0190 519



WIRING DIAGRAM REF:- 00-738967-1

THREE PHASE ELECTRICAL LAYOUT A200/120

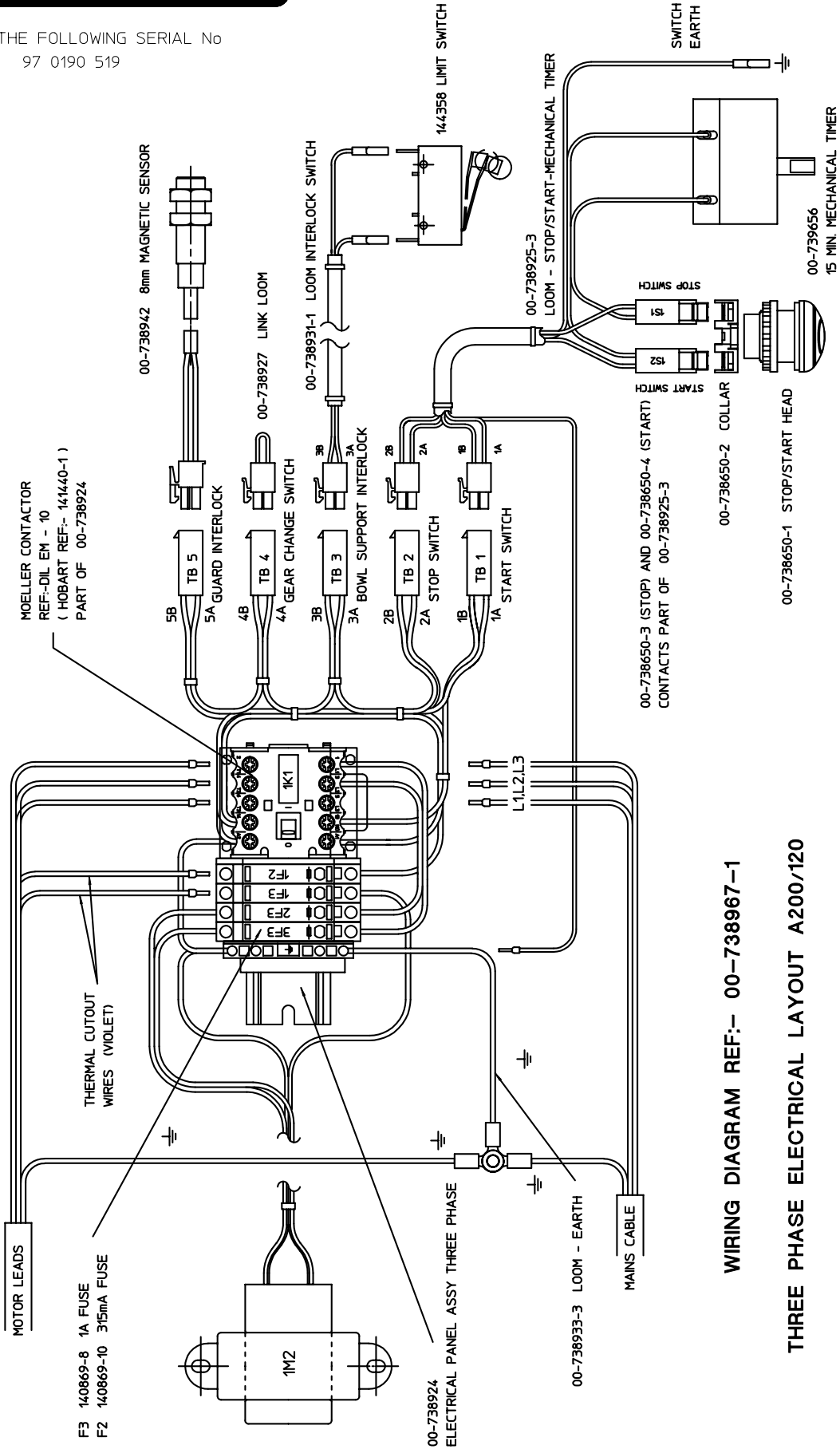
FROM THE FOLLOWING SERIAL No  
A120/200N 97 0190 519



WIRING DIAGRAM REF:- 00-738967-1

SINGLE PHASE ELECTRICAL LAYOUT A200/120

FROM THE FOLLOWING SERIAL No  
A200N 97 0190 519



WIRING DIAGRAM REF:- 00-738967-1

THREE PHASE ELECTRICAL LAYOUT A200/120



Hobart trained service technicians strategically located at the listed Hobart branches are prepared to give you fast, efficient and reliable service. Protect your investment by having a Hobart inspection contract, which assures the continued, efficient operation of your Hobart machines, spares and accessories.

**For further details contact:-**

**HOBART SERVICE UK**

**0844 888 7777**

**Hobart UK  
Hobart House, 51 The Bourne,  
Southgate, London N14 6RT  
Tel: 020 8920 2800 Fax 020 8886 0450  
[www.hobartuk.com](http://www.hobartuk.com)**

Continued product improvement is a Hobart UK policy, specifications may change without notice.

**HOBART SERVICE GERMANY**

**SERVICE-INFORMATIONEN UND -TELEFONNUMMERN.**

**Ausführliche Informationen erhalten Sie bei Ihrem Fachhändler, oder unter:**

**Service Tel. 01803 / 45 62 58 – [www.hobart.de](http://www.hobart.de) – [info@hobart.de](mailto:info@hobart.de) (innerhalb Deutschland)**

**HOBART behält sich das Recht vor, an allen Produkten Änderungen oder Verbesserungen ohne Ankündigungen vorzunehmen**

**HOBART SERVICE FRANCE**

**Telephone : 0825021222**

**Hobart ayant une politique d'amélioration constante de ses produits, les spécifications peuvent changer sans préavis.**