

## WAREWASHING



### Rack conveyor machine **CS / CN / CP**

DSN: CN-15-01  
From SN: CS-E1: 86 43 00001  
CNE1: 86 67 05001  
CNE2/CP-E2: 86 68 05001

**Spare Parts Catalogue**

**EN**




31.01.2018

**Valid for the following models:****CS, CN and CP****Note**

The electrical components in this catalogue refer to the following voltages:  
400 V / 50 Hz / 3 / PE

For other electrical components or voltages, refer to the wiring diagram shipped with the machine.

**Legend**

	Recommended spare parts
	Wearing parts
	no spare parts
L/R	Operation direction left/right
R/L	Operation direction right/left
—	not used
=	see part number left

**Publisher**

HOBART GmbH  
Robert-Bosch-Str. 17  
77656 Offenburg

Tel +49(0)781.600-0  
Fax +49(0)781.600-23 19

E-Mail: [info@hobart.de](mailto:info@hobart.de)  
Internet: [www.hobart.de](http://www.hobart.de)

**Product disclaimer**

Installations and repairs carried out by non-authorized technicians or using non-genuine spare parts, and any technical alterations to the machine not approved by the manufacturer will invalidate the manufacturer's warranty and product liability.

HOBART reserves the right to make changes or improvements to its products without prior notice.

Detailed information can be obtained from your specialist dealer or from:

SERVICE Tel. 01803 45 62 58  
Internet: [www.hobart.de](http://www.hobart.de)  
E-Mail: [info@hobart.de](mailto:info@hobart.de) (within Germany)

© HOBART GmbH, Offenburg 2018

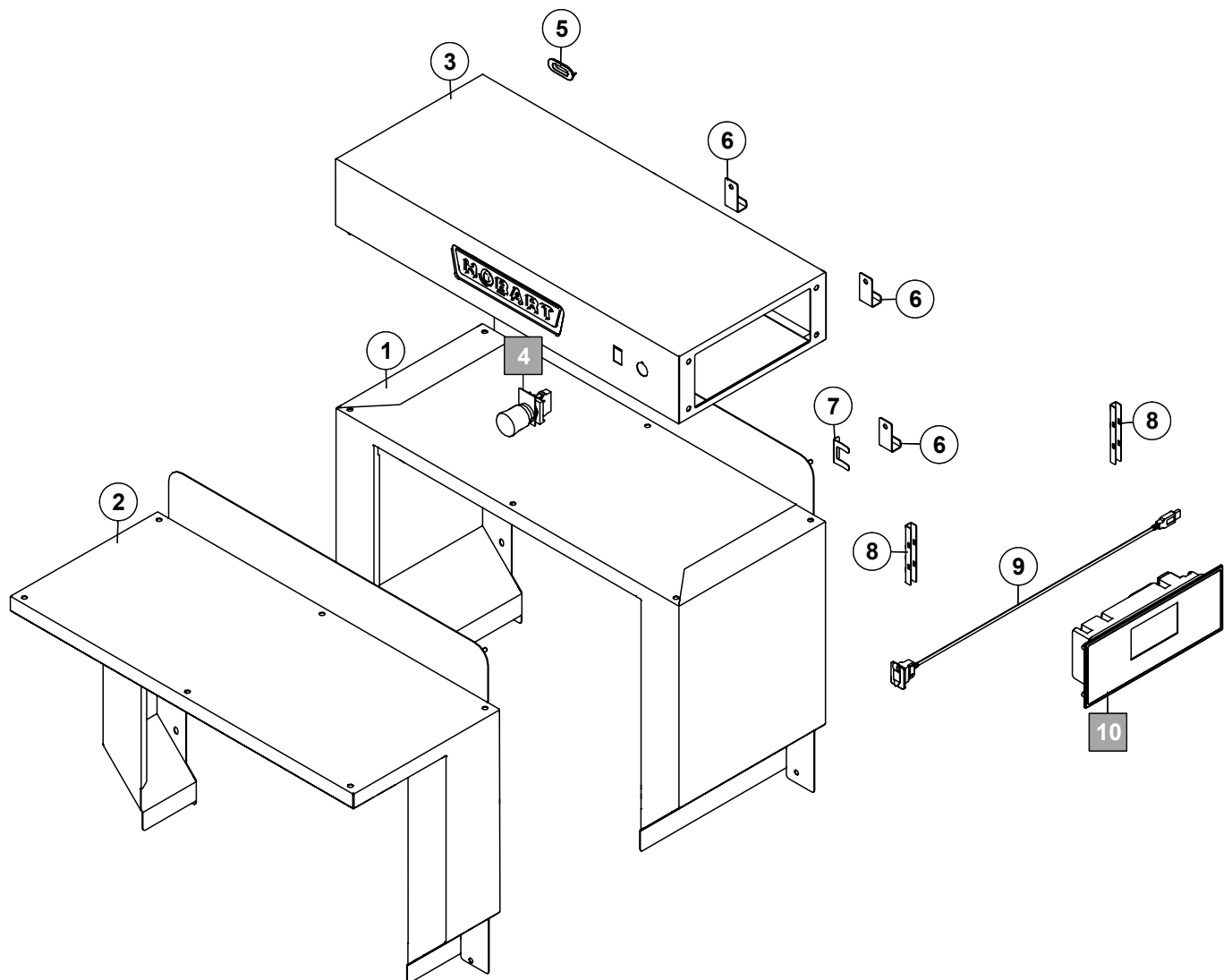
Page	Chapter	Content
6	1.	Inlet hood
8	2.	Outlet hood
10	3.	E Pre-washing - Module
12	4.	E Pre-washing - Pipework
16	5.	E Pre-washing - Module with ASR "PERMANENT CLEAN"
18	6.	E Pre-washing - Pipework with ASR "PERMANENT CLEAN"
22	7.	E Pre-washing - ASR "PERMANENT CLEAN"
24	8.	L Pre-washing - Module
28	9.	L Pre-washing - ASR "PERMANENT CLEAN"
30	10.	S-Pre-washing / A-washing -Module
34	11.	S/A Pre-washing - ASR "PERMANENT CLEAN"
36	12.	C Pre-washing - Module
40	13.	C Pre-washing - Transport system
42	14.	C Pre-washing - Covering
44	15.	C Pre-washing - Infeed mechanical
46	16.	AR/AN Washing - Module
50	17.	AR/AN Washing - Integrated switch cabinet
52	18.	ND - Module
54	19.	ND - Switch box
56	20.	Rinsing - Rinse module
58	21.	Rinsing - Demi module
60	22.	Disconnecting module
62	23.	Wash system - Wash pump and riser
64	24.	Wash system - Wash arms
66	25.	Heater - el. heated
68	26.	Heater - steam heated
70	27.	Rinse system - Mono rinsing
72	28.	Rinse system - Duo rinsing CS
74	29.	Rinse system - Duo rinsing / Triple rinsing, CN/CP
76	30.	Rinse system - Duo pump-1
78	31.	Rinse system - Duo pump-2
82	32.	Filling system - Pump
84	33.	Filling system - Standard filling
86	34.	Filling system - Filling via boiler
88	35.	Filling system - Water clock (Option)
90	36.	Filling system - Filling via separate fill boiler (Option)
92	37.	Heat recovery - C20
94	38.	Heat recovery - C12

---

Page	Chapter	Content
96	39.	Exhaust air adapter (Option)
98	40.	Heat pump - CHP18
100	41.	Refrigeration circuit - CHP18
102	42.	Transport system
106	43.	Sliding doors and covering
110	44.	Double-wing doors
112	45.	Drying - CDS/D
114	46.	Drying - DS
116	47.	Drying - Heating electrical heated
118	48.	Drying - Heating steam heated
120	49.	Transport curve - CTC/CDC 91/181
122	50.	Transport curve - CTC/CDC 181-C
126	51.	Curve drying - CDC
128	52.	Steam piping - CP
132	53.	CAF Corner insert
134	54.	Table limit switch / RACK-FLOW sensor system
136	55.	AUTO CLEAN
138	56.	Curtains



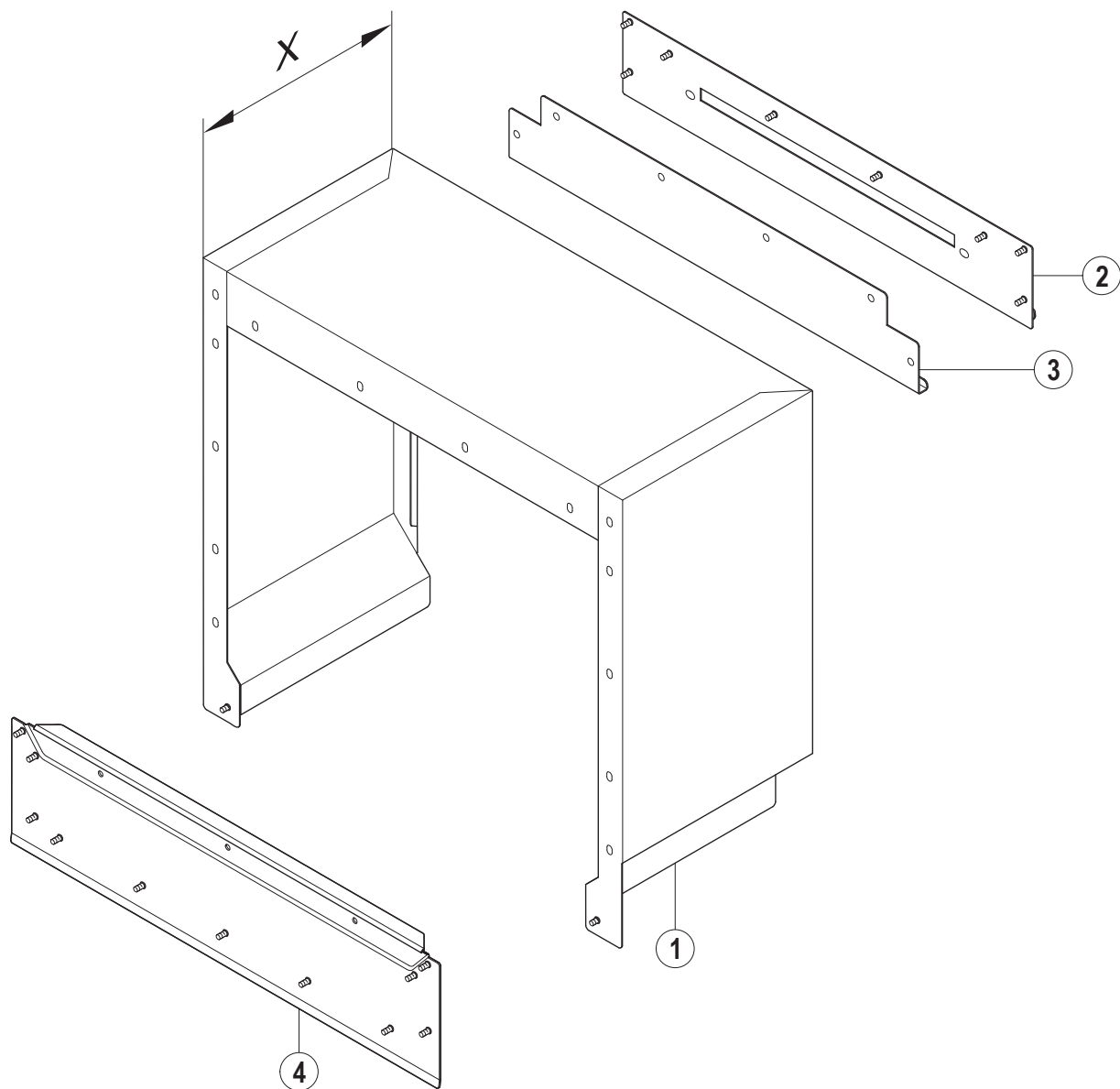
## 1. Inlet hood



Legend: A = Running direction B = Machine basic type X = Length

Pos. no.	A	B [mm]			X [mm]	Remarks
		CS	CN	CP		
1		–	04-001004-001	=		
2		–	04-001013-001	=		
3	L/R	–	04-001006-001	–		
	R/L	–	04-001006-002	–		
	L/R	–	04-001006-007	=		without display
	R/L	–	04-001006-008	=		without display
4		–	01-291707-001	–		
5		–	04-001292-001	–		
6		–	01-291508-001	–		
7		–	04-001301-001	–		
8		–	04-001193-001	–		
9		–	04-001259-101	–		
10		–	01-537268-001	–		

### 2. Outlet hood



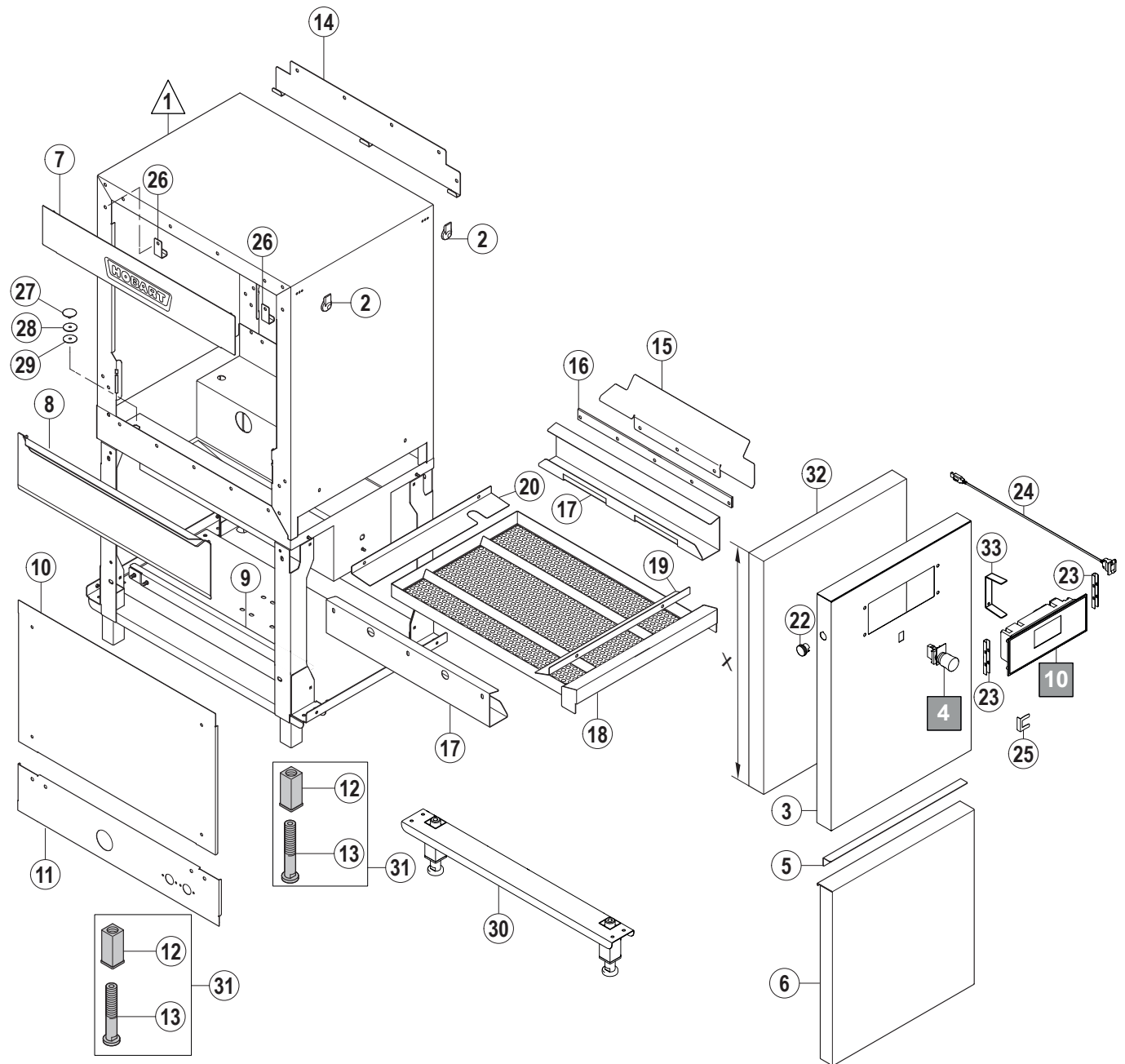


Legend: A = Running direction      B = Machine basic type      X = Length

Pos. no.	A	B [mm]			X [mm]	Remarks
		CS	CN	CP		
1		–	01-291404-001	=	300	
		01-291404-003	01-291404-002	=	110	
2		01-291434-001	=	=		
3		01-291538-001	=	=		
4		01-291429-001	=	=		

E Pre-washing - Module

3. E Pre-washing - Module

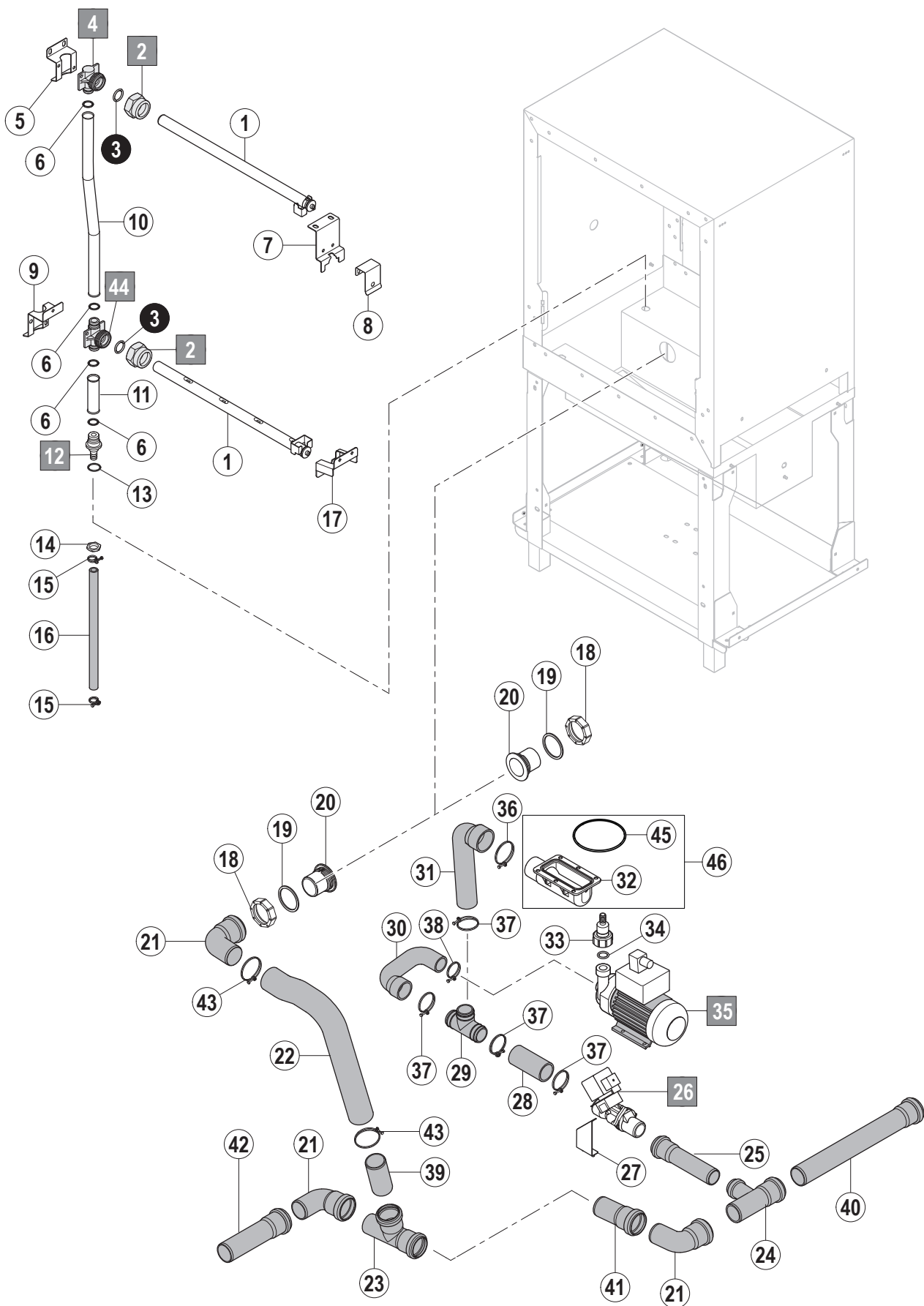


Legend: A = Running direction      B = Machine basic type      X = Length

Pos. no.	A	B [mm]			X [mm]	Remarks
		CS	CN	CP		
1		04-001074-001	=	--		
2		ML102835	=	--		Service kit incl. screw
3		--	04-001081-001	--		with display
		--	04-001081-003	--		without display
4		01-291707-001	=	--		
5		00-896335-001	=	--		
6		01-291785-001	=	--		
7		01-291497-001	=	--		
8		01-291429-001	=	--		
9		01-291432-001	=	--		
10		01-291409-002	=	--		
11	L/R	01-291408-001	=	--		
	R/L	01-291408-002	=	--		
12		00-325008-001	=	--		
13		00-325007-001	=	--		
14		01-291538-001	=	--		
15		00-896430-003	=	--		
16		00-325155-003	=	--		
17		01-291783-001	=	--		
18		01-291782-004	=	--		
19		01-291784-001	=	--		
20	L/R	01-291784-002	=	--		
	R/L	01-291784-003	=	--		
21		--	01-537268-001	--		
22		--	00-887015-051	--		
23		--	04-001193-001	--		
24		--	04-001259-101	--		
25		--	04-001301-001	--		
26		01-291508-001	=	--		
27		00-869137-003	=	--		
28		00-168611-024	=	--		
29		00-696943-030	=	--		
30		01-291366-005	01-291366-005	--		
31		ML102829	=	--		
32		01-291488-006	--	--	684	
		01-291488-005	--	--	708	
33		--	04-001249-001	--		

E Pre-washing - Pipework

4. E Pre-washing - Pipework



Legend:    A = Running direction                      B = Machine basic type                      X = Length

Pos. no.	A	B [mm]			X [mm]	Remarks
		CS	CN	CP		
1		01-291307-001	=	—		
2		00-885572-001	=	—		
3		00-884505-002	=	—		
4		01-245318-002	=	—		
5		01-291337-001	=	—		
6		01-245340-001	=	—		
7		01-291495-001	=	—		
8		01-245062-001	=	—		
9		01-291341-001	=	—		
10		01-245323-003	=	—		
11		01-291297-003	=	—		
12		01-245329-002	=	—		
13		00-172986-003	=	—		
14		00-172739-009	=	—		
15		00-323945-022	=	—		
16		01-245571-014	=	—		
17		01-291494-001	=	—		
18		01-245165-001	=	—		
19		01-245460-001	=	—		
20		01-245112-001	=	—		
21		00-230080-001	=	—		
22		01-291519-001	=	—		
23		00-230079-001	=	—		
24		00-323593-002	=	—		
25		00-325706-011	=	—		
26		00-774683-...	=	—		see wiring diagram
27		01-291686-001	=	—		
28		01-291525-002	=	—		
29		01-291562-001	=	—		
30		01-291691-001	=	—		
31		01-242108-002	=	—		
32		00-325529-001	=	—		
33		00-895735-001	=	—		
34		00-067500-072	=	—		
35		00-781237-...	=	—		see wiring diagram
36		00-323945-064	=	—		
37		00-323945-053	=	—		
38		00-323945-043	=	—		
39		00-325737-007	=	—		
40		00-229679-005	=	—		
41		00-229679-013	=	—		
42		00-600569-000	=	—		
43		00-323945-068	=	—		
44		01-245318-001	=	—		

## E Pre-washing - Pipework

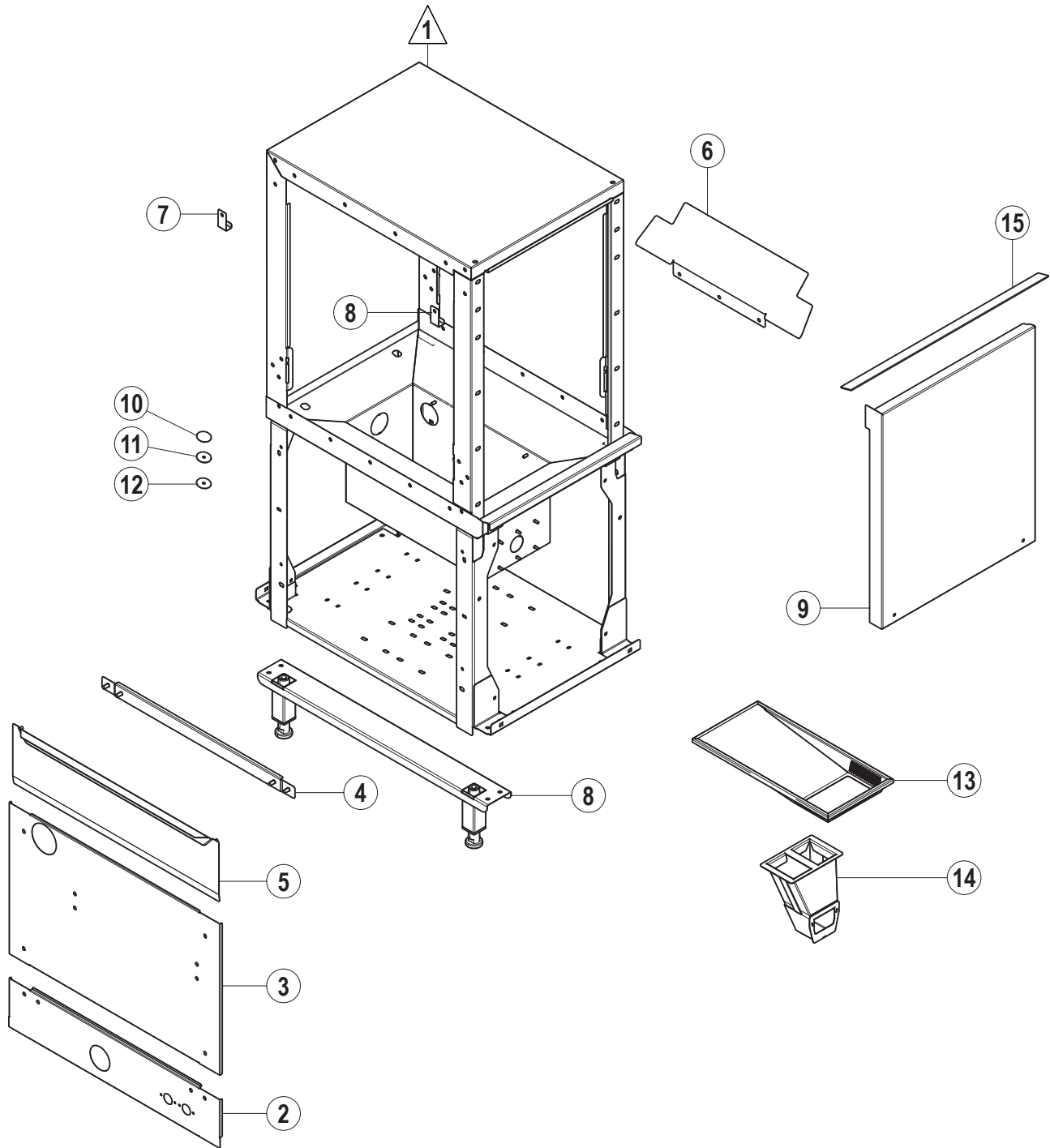
Legend: A = Running direction      B = Machine basic type      X = Length

Pos. no.	A	B [mm]			X [mm]	Remarks
		CS	CN	CP		
45		00-276903-035	=	—		
46		ML102834	=	=		



E Pre-washing - Module with ASR "PERMANENT CLEAN"

5. E Pre-washing - Module with ASR "PERMANENT CLEAN"





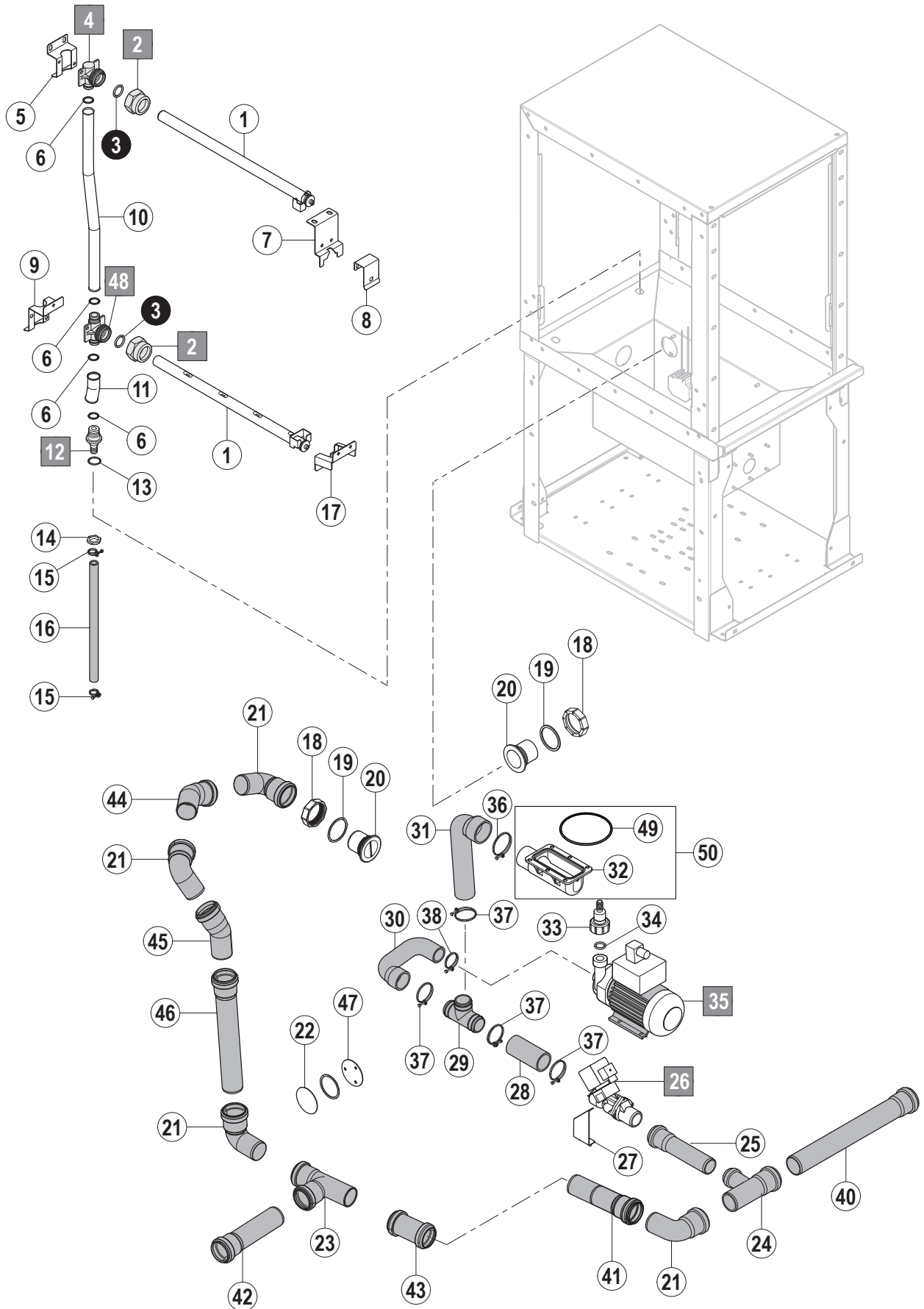
## E Pre-washing - Module with ASR "PERMANENT CLEAN"

Legend: A = Running direction B = Machine basic type X = Length

Pos. no.	A	B [mm]			X [mm]	Remarks
		CS	CN	CP		
1		–	04-001121-001	=		
2	L/R	–	01-291408-001	=		
	R/L	–	01-291408-002	=		
3	L/R	–	01-291409-006	=		
	R/L	–	01-291409-007	=		
4		–	01-291432-001	=		
5		–	01-291429-001	=		
6		–	00-896430-003	=		
7		–	01-291508-001	=		
8		–	01-291366-005	=		
9	L/R	–	01-291407-015	=		
	R/L	–	01-291407-009	=		
10		–	00-869137-003	=		
11		–	00-168611-024	=		
12		–	00-696943-030	=		
13		–	01-518538-001	=		
14		–	01-297196-007	=		
15		–	01-296451-003	=		

E Pre-washing - Pipework with ASR "PERMANENT CLEAN"

6. E Pre-washing - Pipework with ASR "PERMANENT CLEAN"



## E Pre-washing - Pipework with ASR "PERMANENT CLEAN"

Legend: A = Running direction B = Machine basic type X = Length

Pos. no.	A	B [mm]			X [mm]	Remarks
		CS	CN	CP		
1		–	01-291307-001	=		
2		–	00-885572-001	=		
3		–	00-884505-002	=		
4		–	01-245318-002	=		
5		–	01-291337-001	=		
6		–	01-245340-001	=		
7		–	01-291495-001	=		
8		–	01-245062-001	=		
9		–	01-291341-001	=		
10		–	01-245323-003	=		
11		–	01-518439-001	=		
12		–	01-245329-002	=		
13		–	00-172986-003	=		
14		–	00-172739-009	=		
15		–	00-323945-022	=		
16		–	01-245571-014	=		
17		–	01-291494-001	=		
18		–	01-245165-001	=		
19		–	01-245460-001	=		
20		–	01-245112-001	=		
21		–	00-230080-001	=		
22		–	01-245677-002	=		
23		–	00-230079-001	=		
24		–	00-323593-002	=		
25		–	00-325706-011	=		
26		–	00-774683-...	=		see wiring diagram
27		–	01-291686-001	=		
28		–	01-291525-002	=		
29		–	01-291562-001	=		
30		–	01-291691-001	=		
31		–	01-242108-002	=		
32		–	00-325529-001	=		
33		–	00-895735-001	=		
34		–	00-067500-072	=		
35		–	00-781237-...	=		see wiring diagram
36		–	00-323945-064	=		
37		–	00-323945-053	=		
38		–	00-323945-043	=		
39		–	00-325737-007	=		
40		–	00-229679-005	=		
41		–	00-229679-013	=		
42		–	00-600569-000	=		
43		–	00-323945-068	=		

## E Pre-washing - Pipework with ASR "PERMANENT CLEAN"

Legend: A = Running direction

B = Machine basic type

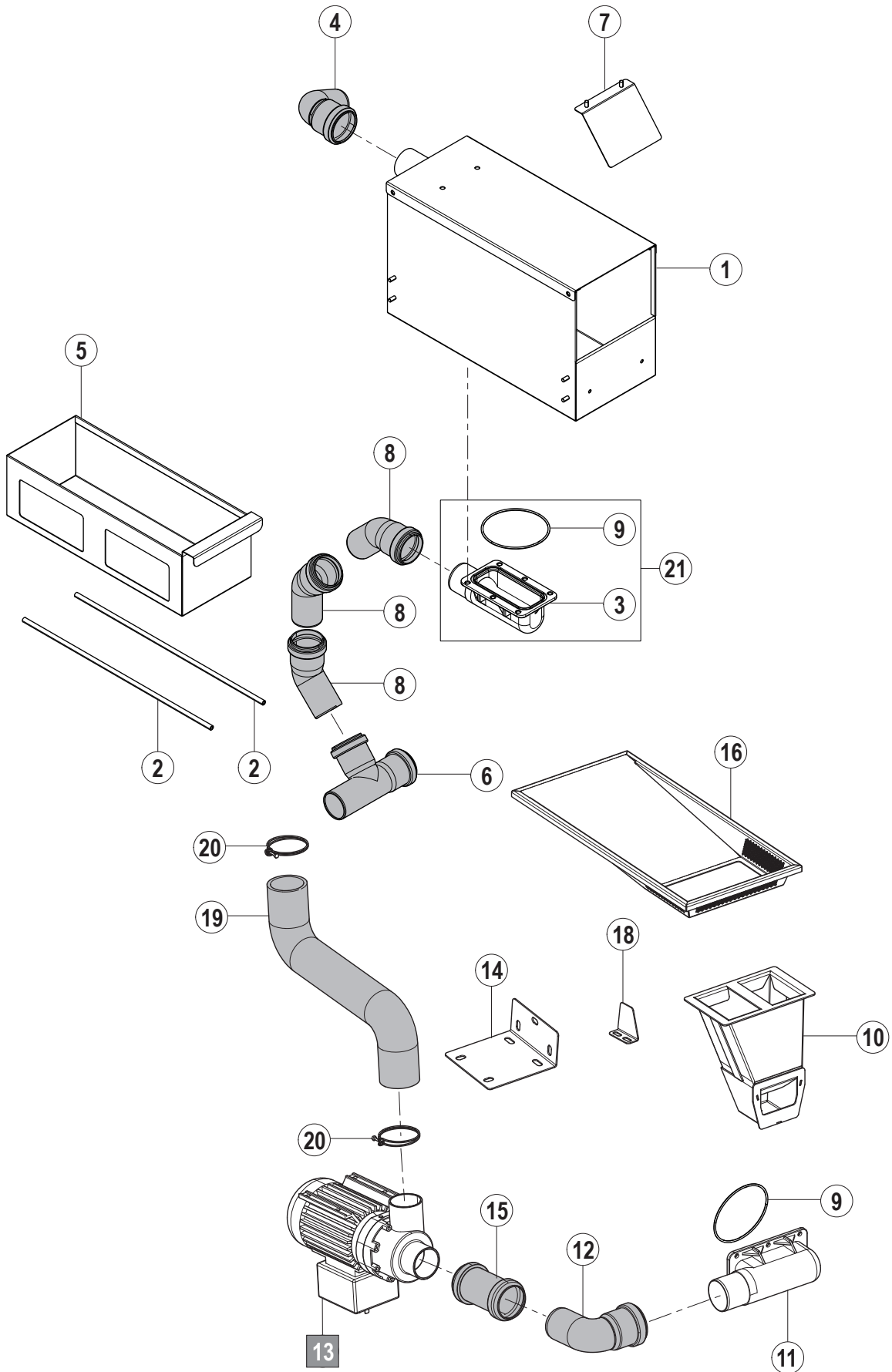
X = Length

Pos. no.	A	B [mm]			X [mm]	Remarks
		CS	CN	CP		
44		–	00-377340-001	=		
45		–	00-377339-001	=		
46		–	00-229679-028	=		
47		–	01-245678-001	=		
48		–	01-245318-001	=		
49		–	00-276903-035	=		
50		–	ML102834	=		



E Pre-washing - ASR "PERMANENT CLEAN"

7. E Pre-washing - ASR "PERMANENT CLEAN"



## E Pre-washing - ASR "PERMANENT CLEAN"

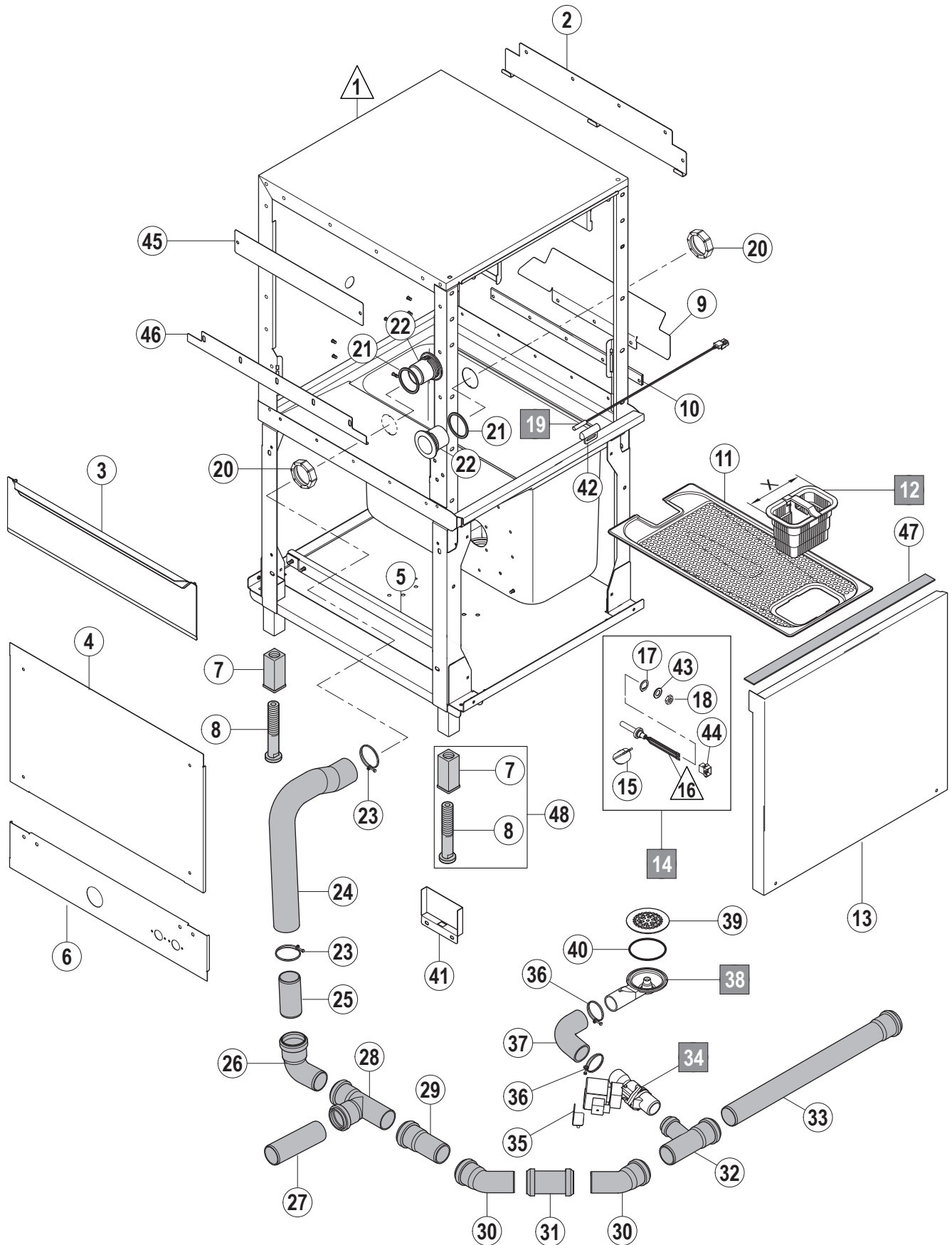
Legend: A = Running direction B = Machine basic type X = Length

Pos. no.	A	B [mm]			X [mm]	Remarks
		CS	CN	CP		
1		–	01-296869-001	=		
2		–	01-245146-006	=		
3		–	00-325529-001	=		
4		–	00-230080-001	=		
5		–	01-296866-001	=		not compatible with rack loading station
6		–	00-230079-001	=		
7		–	01-518204-001	=		
8		–	00-377340-001	=		
9		–	00-276903-035	=		
10		–	01-297196-007	=		
11		–	00-325529-001	=		
12		–	00-230080-001	=		
13		–	01-297295-005	=		
14		–	01-518535-001	=		
15		–	00-229680-001	=		
16		–	01-518538-001	=		
17		–	01-297196-006	=		
18		–	01-518555-001	=		
19		–	01-296864-001	=		
20		–	00-323945-068	=		
21		–	ML102834	=		

# CS/CN/CP

## L Pre-washing - Module

### 8. L Pre-washing - Module





Legend:    A = Running direction                      B = Machine basic type                      X = Length

Pos. no.	A	B [mm]			X [mm]	Remarks
		CS	CN	CP		
1	L/R	–	04-001073-001	=		
	R/L	–	04-001073-002	=		
2		–	01-291538-001	=		
3		–	01-291429-001	=		
4		–	01-291409-001	=		without ASR
		–	01-291409-006	=		with ASR
5		–	01-291432-001	=		
6	L/R	–	01-291408-001	=		
	R/L	–	01-291408-002	=		
7		–	00-325008-001	=		
8		–	00-325007-001	=		
9		–	00-896430-003	=		
10		–	00-325155-003	=		
11		–	04-001089-001	=		
12		–	01-291515-006	=	246	Plastic
		–	01-245867-010	=	246	Stainless steel
13	L/R	–	01-291407-006	=		
	R/L	–	01-291407-007	=		
14		–	01-245621-009	=		Infotronic
		–	01-245621-010	=		Protronic
15		–	00-122674-000	=		
16		–	01-296000-007	=		Infotronic
		–	01-296000-008	=		Protronic
17		–	00-112467-000	=		
18		–	00-602476-000	=		
19		–	01-240288-001	=		
20		–	01-245165-001	=		
21		–	01-245460-001	=		
22		–	01-245112-001	=		
23		–	00-323945-064	=		
24		–	01-291519-001	=		
25		–	00-325737-007	=		
26		–	00-230080-001	=		
27		–	00-325737-004	=		
28		–	00-230079-001	=		
29		–	00-229679-013	=		
30		–	00-377340-001	=		
31		–	00-229680-001	=		
32		–	00-323593-002	=		
33		–	00-600571-000	=		
34		–	00-774683-...	=		see wiring diagram
35		–	01-291684-002	=		
36		–	00-323945-053	=		

## L Pre-washing - Module

Legend: A = Running direction

B = Machine basic type

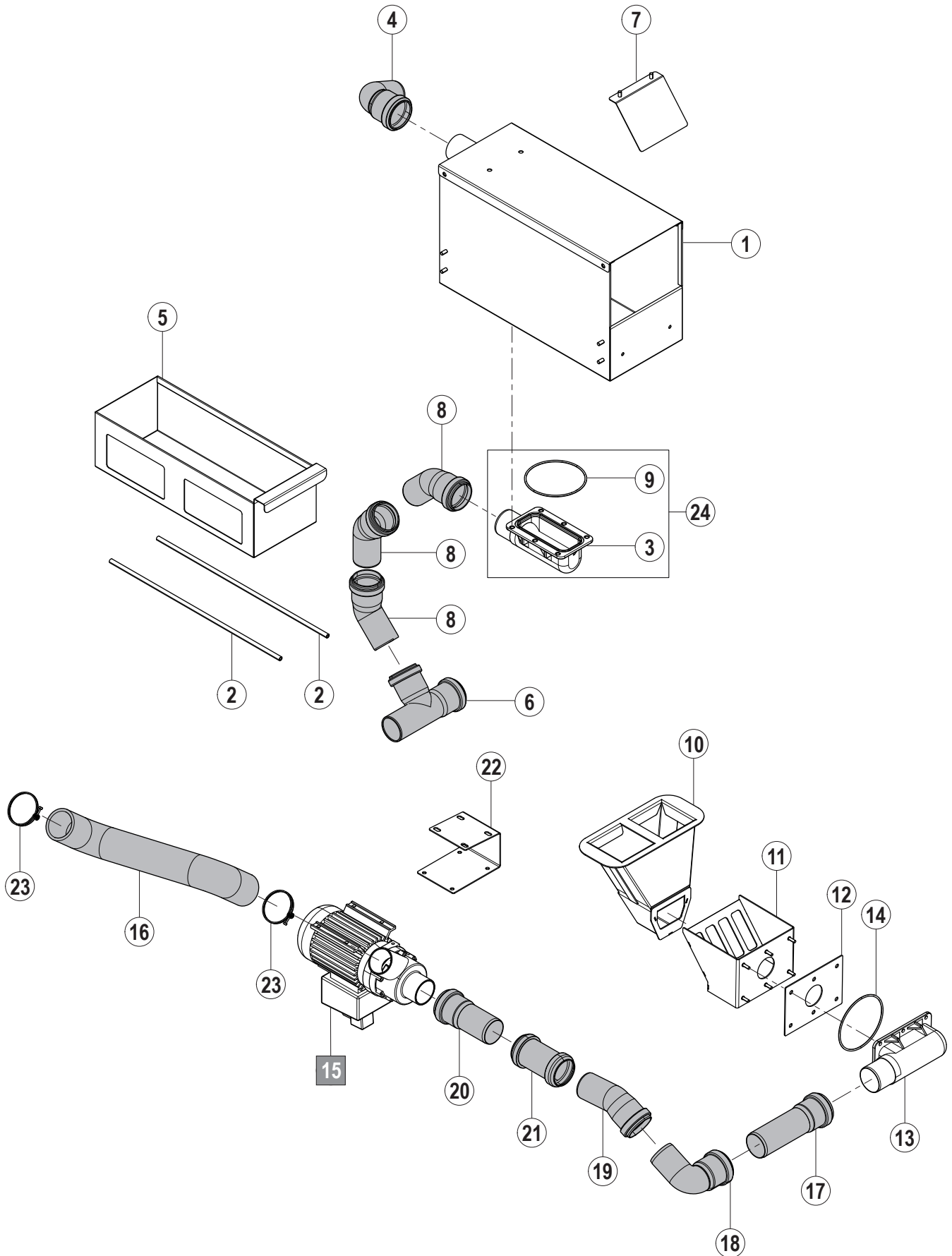
X = Length

Pos. no.	A	B [mm]			X [mm]	Remarks
		CS	CN	CP		
37		–	01-291527-002	=		
38		–	01-245109-001	=		
39		–	01-245107-001	=		
40		–	01-245340-004	=		
41		–	01-291982-001	=		
42		–	00-883838-001	=		
43		–	00-168611-021	=		
44		–	00-785573-004	–		
45		–	01-291197-004	–		
46		–	00-896394-001	=		
47		–	01-296451-003	=		
48		–	ML102829	=		



L Pre-washing - ASR "PERMANENT CLEAN"

9. L Pre-washing - ASR "PERMANENT CLEAN"



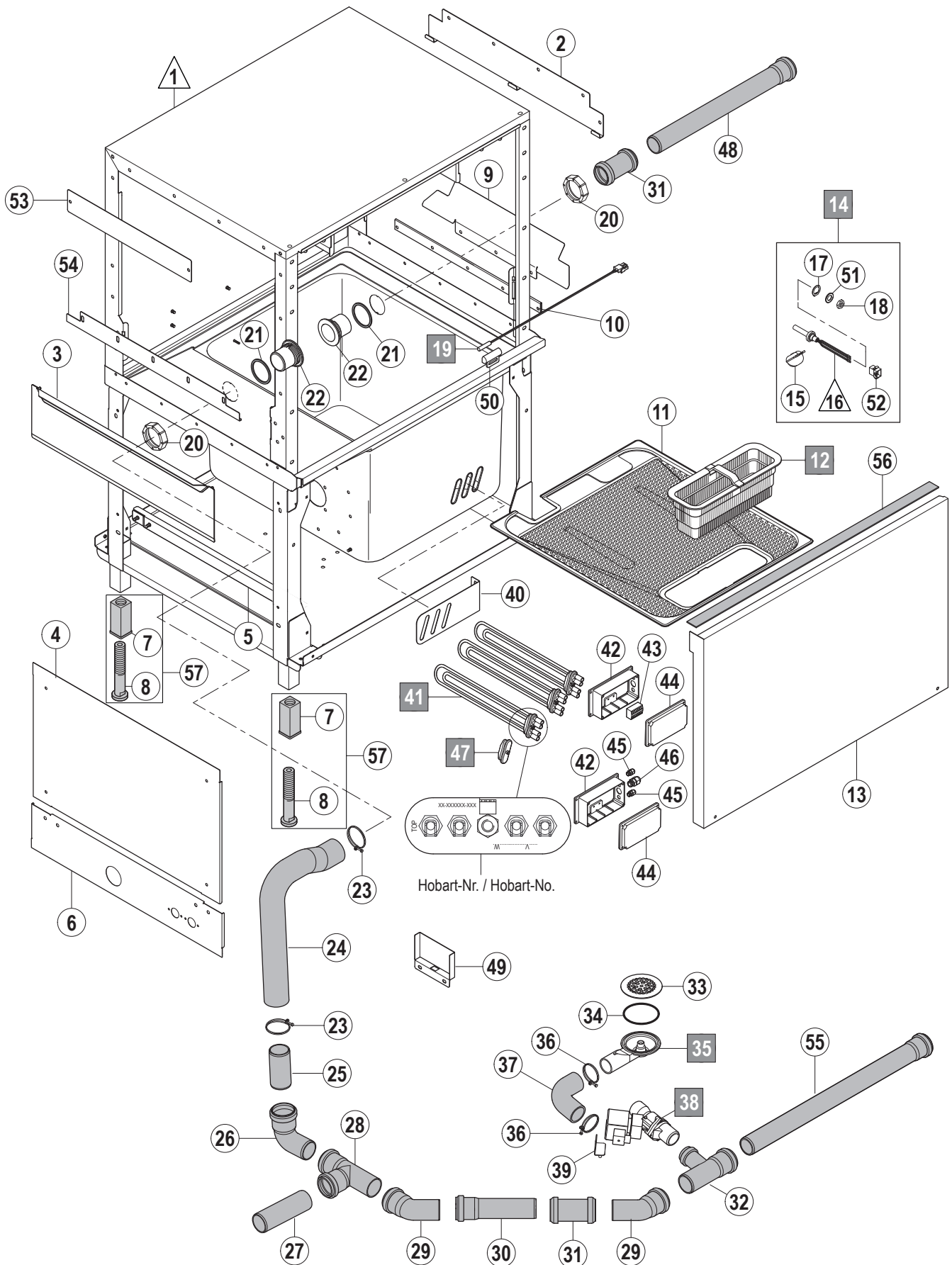
## L Pre-washing - ASR "PERMANENT CLEAN"

Legend: A = Running direction B = Machine basic type X = Length

Pos. no.	A	B [mm]			X [mm]	Remarks
		CS	CN	CP		
1		–	01-296869-001	=		
2		–	01-245146-006	=		
3		–	00-325529-001	=		
4		–	00-230080-001	=		
5		–	01-296866-001	=		not compatible with rack loading station
6		–	00-230079-001	=		
7		–	01-518204-001	=		
8		–	00-377340-001	=		
9		–	00-276903-035	=		
10		–	01-297196-005	=		
11		–	01-297199-003	=		
12		–	01-297201-002	=		
13		–	00-325529-001	=		
14		–	00-276903-035	=		
15		–	01-297295-001	=		
16		–	01-296864-001	=		
17		–	00-229679-036	=		
18		–	00-230080-001	=		
19		–	00-377339-001	=		
20		–	00-229679-013	=		
21		–	00-229680-001	=		
22		–	01-296871-001	=		
23		–	00-323945-068	=		
24		–	ML102834	=		

## S-Pre-washing / A-washing -Module

## 10. S-Pre-washing / A-washing -Module



Legend:    A = Running direction                      B = Machine basic type                      X = Length

Pos. no.	A	B [mm]			X [mm]	Remarks
		CS	CN	CP		
1	L/R	–	04-001072-001	=		
	R/L	–	04-001072-002	=		
2		–	01-291538-001	=		
3		–	01-291429-001	=		
4		–	01-291409-001	=		without ASR
		–	01-291409-007	=		with ASR
5		–	01-291432-001	=		
6	L/R	–	01-291408-001	=		
	R/L	–	01-291408-002	=		
7		–	00-325008-001	=		
8		–	00-325007-001	=		
9		–	00-896430-003	=		
10		–	00-325155-003	=		
11	L/R	–	01-533376-006	=		
	R/L	–	01-533376-005	=		
12		–	01-245170-013	=		Plastic
		–	01-245867-007	=		Stainless steel
13	L/R	–	01-291407-004	=		only S-module
	R/L	–	01-291407-005	=		only S-module
		–	01-291407-011	=		only A-module
14		–	01-245621-009	=		Infotronic
		–	01-245621-010	=		Protronic
15		–	00-122674-000	=		
16		–	01-296000-007	=		Infotronic
		–	01-296000-008	=		Protronic
17		–	00-112467-000	=		
18		–	00-602476-000	=		
19		–	01-240288-001	=		
20		–	01-245165-001	=		
21		–	01-245460-001	=		
22		–	01-245112-001	=		
23		–	00-323945-064	=		
24		–	01-291519-001	=		
25		–	00-325737-007	=		
26		–	00-230080-001	=		
27		–	00-325737-004	=		
28		–	00-230079-001	=		
29		–	00-377340-001	=		
30		–	00-600569-000	=		
31		–	00-229680-001	=		
32		–	00-323593-002	=		
33		–	01-245107-001	=		
34		–	01-245340-004	=		

## S-Pre-washing / A-washing -Module

Legend: A = Running direction

B = Machine basic type

X = Length

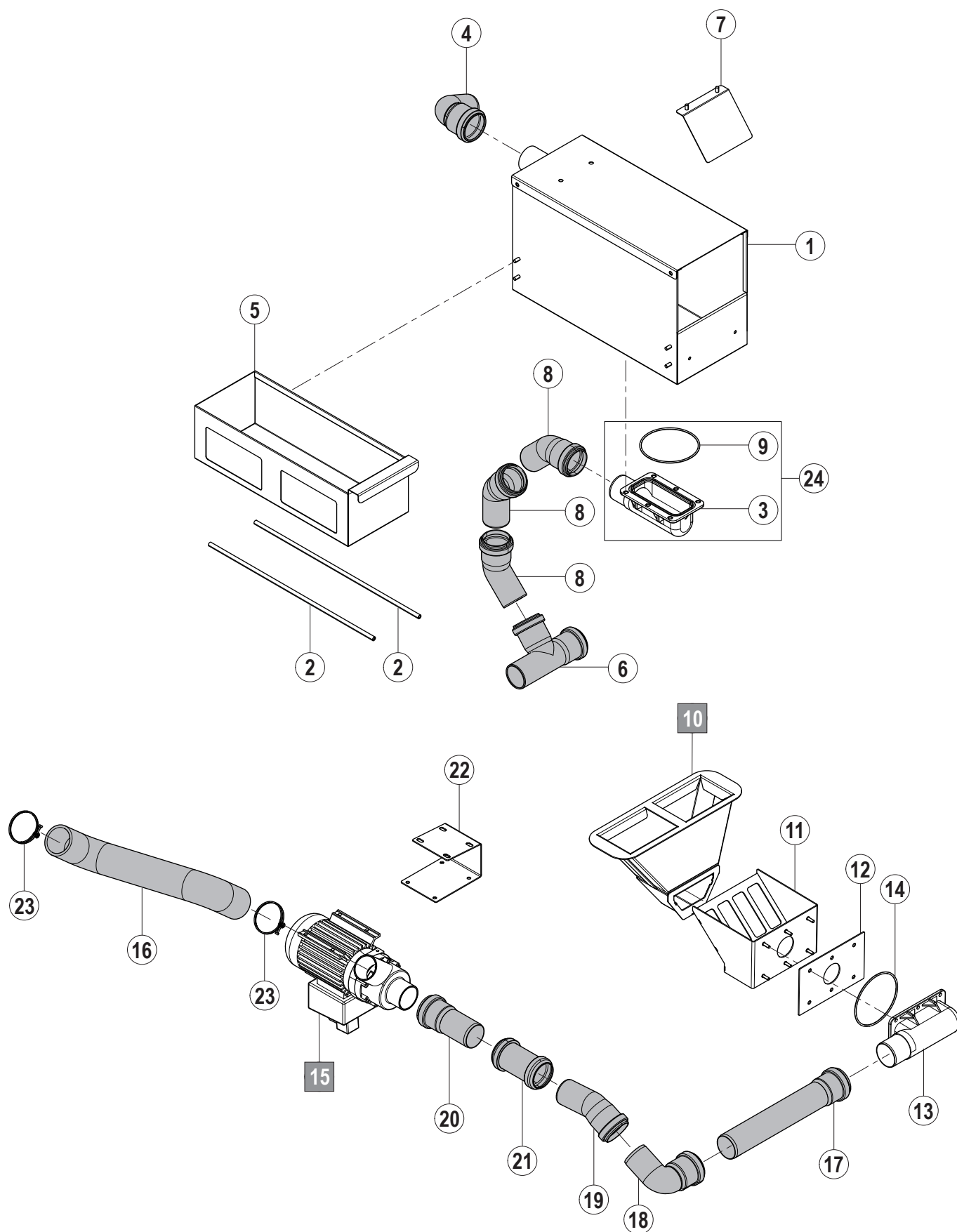
Pos. no.	A	B [mm]			X [mm]	Remarks
		CS	CN	CP		
35		–	01-245109-001	=		
36		–	00-323945-053	=		
37		–	01-291527-002	=		
38		–	00-774683-...	=		see wiring diagram
39		–	01-291684-002	=		
40		–	01-245372-002	=		
41		–	00-324637-...	=		see wiring diagram
42		–	01-245373-001	=		
43		–	00-325025-001	=		
44		–	01-245374-001	=		
45		–	00-695661-001	=		
46		–	00-695661-003	=		
47		–	00-774808-001	=		
48		–	00-229679-025	=		
49		–	01-291982-001	=		
50		–	00-883838-001	=		
51		–	00-168611-021	=		
52		–	00-785573-004	=		
53		–	01-291197-004	=		
54		–	00-896394-001	=		only S-module
55		–	00-229679-040	=		
56		–	01-296451-002	=		
57		–	ML102829	=		





S/A Pre-washing - ASR "PERMANENT CLEAN"

11. S/A Pre-washing - ASR "PERMANENT CLEAN"

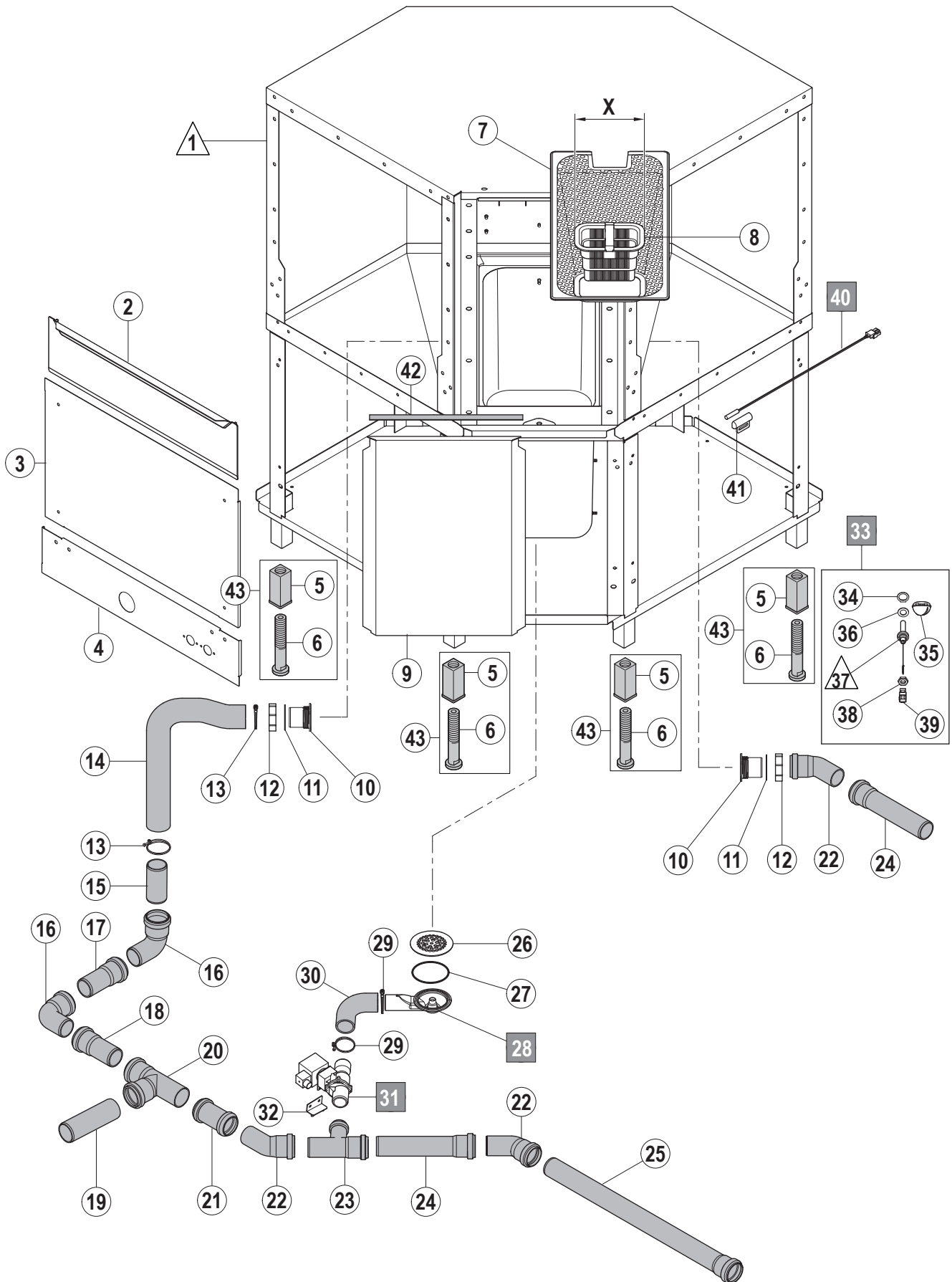


## S/A Pre-washing - ASR "PERMANENT CLEAN"

Legend: A = Running direction B = Machine basic type X = Length

Pos. no.	A	B [mm]			X [mm]	Remarks
		CS	CN	CP		
1		–	01-296869-001	=		
2		–	01-245146-006	=		
3		–	00-325529-001	=		
4		–	00-230080-001	=		
5		–	01-296866-001	=		not compatible with rack loading station
6		–	00-230079-001	=		
7		–	01-518204-001	=		
8		–	00-377340-001	=		
9		–	00-276903-035	=		
10		–	01-297196-004	=		
11		–	01-297199-001	=		
12		–	01-297201-001	=		
13		–	00-325529-001	=		
14		–	00-276903-035	=		
15		–	01-297295-001	=		
16		–	01-296864-001	=		
17		–	00-229679-029	=		
18		–	00-230080-001	=		
19		–	00-377339-001	=		
20		–	00-229679-013	=		
21		–	00-229680-001	=		
22		–	01-296871-001	=		
23		–	00-323945-068	=		
24		–	ML102834	=		

### 12. C Pre-washing - Module



Legend: A = Running direction      B = Machine basic type      X = Length

Pos. no.	A	B [mm]			X [mm]	Remarks
		CS	CN	CP		
1	L/R	–	04-001103-001	=		
	R/L	–	04-001103-002	=		
2		–	01-291429-001	=		
3		–	01-291409-001	=		without ASR
	L/R	–	01-291409-006	=		with ASR
	R/L	–	01-291409-007	=		with ASR
4	L/R	–	01-291408-001	=		
	R/L	–	01-291408-002	=		
5		–	00-325008-001	=		
6		–	00-325007-001	=		
7		–	04-001089-001	=		
8		–	01-291515-004	=	246	Plastic
		–	01-245867-010	=	246	Stainless steel
9	L/R	–	01-296137-001	=		
	R/L	–	01-296137-002	=		
10		–	01-245112-001	=		
11		–	01-245460-001	=		
12		–	01-245165-001	=		
13		–	00-323945-064	=		
14		–	01-291519-001	=		
15		–	00-325737-001	=		
16		–	00-230080-001	=		
17		–	00-229679-013	=		
18		–	00-229679-012	=		
19		–	00-325737-004	=		
20		–	00-230079-001	=		
21		–	00-229680-001	=		
22		–	00-377340-001	=		
23		–	00-323593-002	=		
24		–	00-229679-024	=		
25		–	00-229679-005	=		
26		–	01-245107-001	=		
27		–	01-245340-004	=		
28		–	01-245109-001	=		
29		–	00-323945-053	=		
30		–	01-291527-002	=		
31		–	00-774683...	=		see wiring diagram
32		–	01-291684-002	=		
33		–	01-245621-009	=		Infotronic
		–	01-245621-010	=		Protronic
34		–	00-112467-000	=		
35		–	00-112674-000	=		
36		–	00-168611-021	=		

## C Pre-washing - Module

Legend: A = Running direction

B = Machine basic type

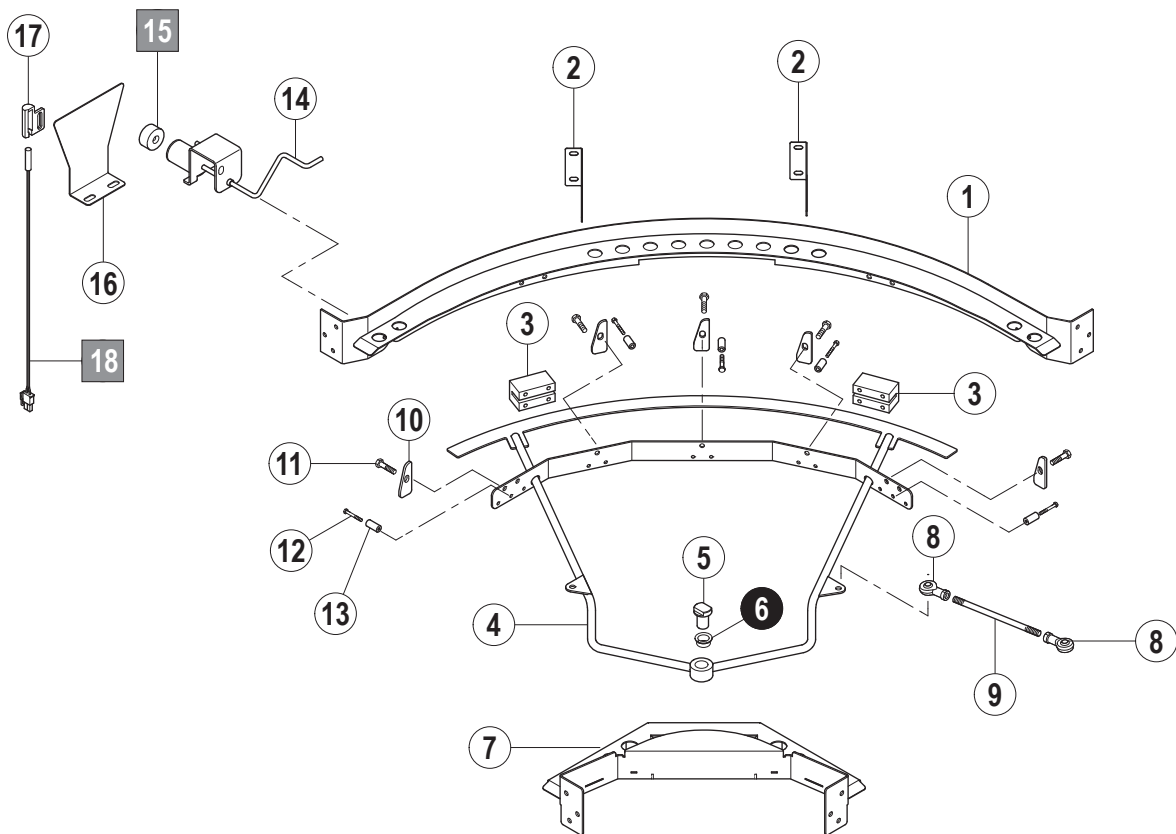
X = Length

Pos. no.	A	B [mm]			X [mm]	Remarks
		CS	CN	CP		
37		–	01-296000-007	=		Infotronic
		–	01-296000-008	=		Protronic
38		–	00-602476-000	=		
39		–	00-785573-004	=		
40		–	01-240288-001	=		
41		–	00-883838-001	=		
42		–	01-296451-003	=		
43		–	ML102829	=		



C Pre-washing - Transport system

13. C Pre-washing - Transport system



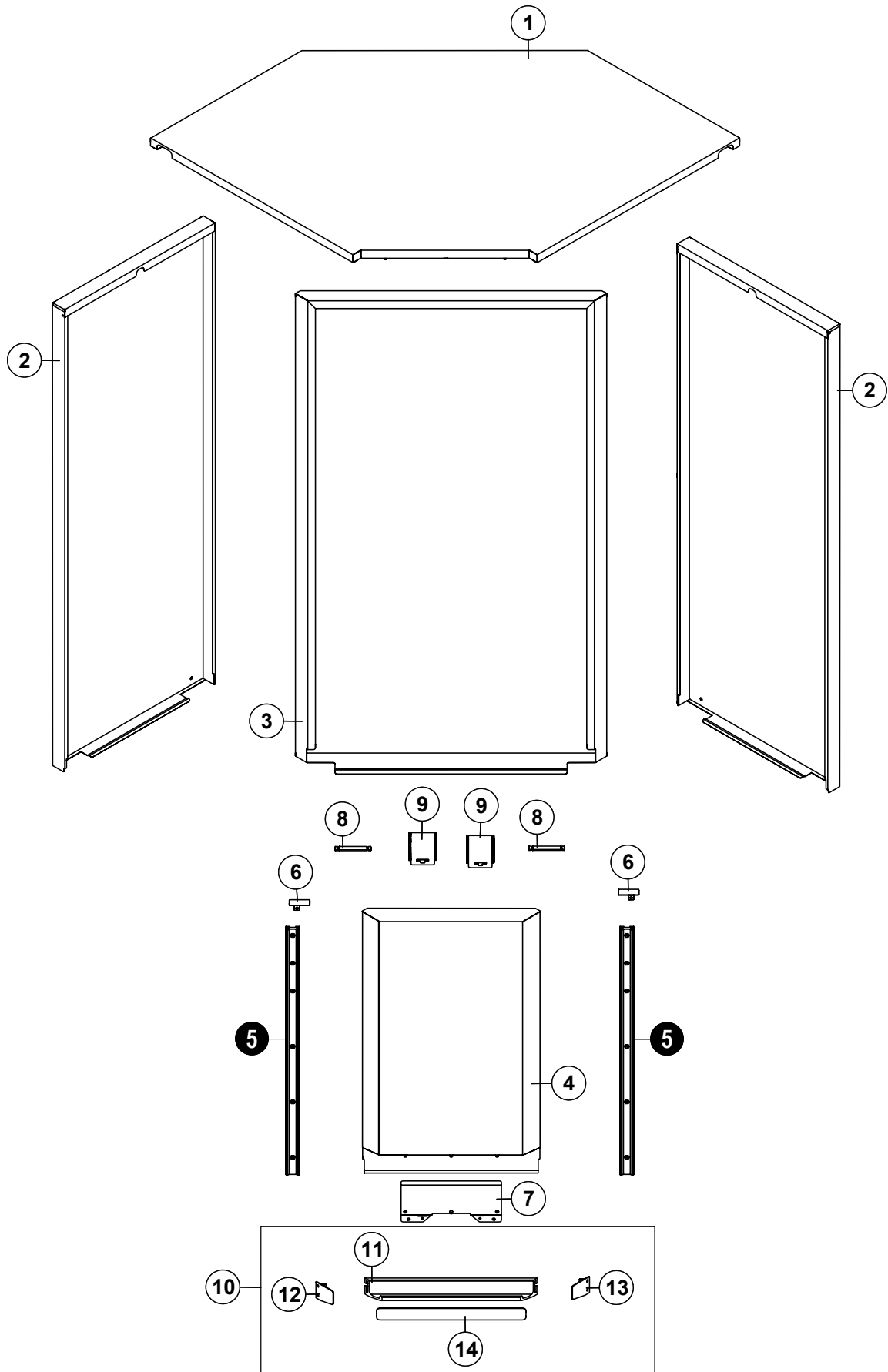


Legend:    A = Running direction                      B = Machine basic type                      X = Length

Pos. no.	A	B [mm]			X [mm]	Remarks
		CS	CN	CP		
1		–	01-296139-001	=		
2		–	01-296055-001	=		
3		–	01-296049-001	=		
4		–	01-296059-001	=		
5		–	00-734988-001	=		
6		–	00-298963-012	=		
7		–	01-296138-001	=		
8		–	00-609067-000	=		
9		–	00-884128-003	=		
10		–	00-897777-002	=		
11		–	00-609313-000	=		
12		–	00-602643-000	=		
13		–	00-380528-037	=		
14	L/R	–	01-242189-001	=		
	R/L	–	01-242189-002	=		
15		–	00-774714-001	=		
16		–	01-291513-002	=		
17		–	00-883838-001	=		
18		–	01-240288-001	=		

C Pre-washing - Covering

14. C Pre-washing - Covering



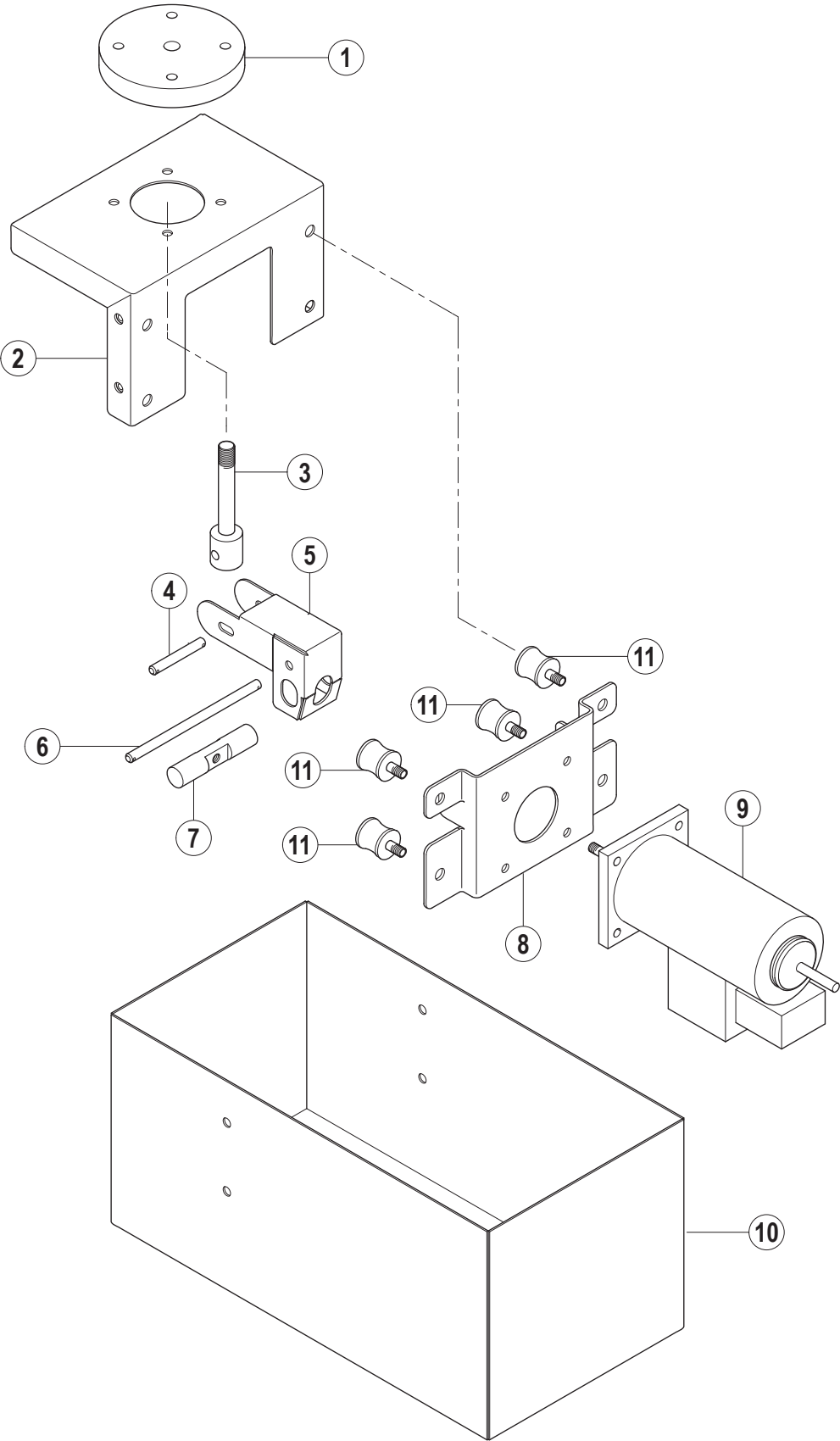
Legend:    A = Running direction                      B = Machine basic type                      X = Length

Pos. no.	A	B [mm]			X [mm]	Remarks
		CS	CN	CP		
1		–	01-296154-001	=		without insulation
		–	01-296154-002	=		with insulation
2		–	01-291317-004	=		without insulation
		–	01-291711-004	=		with insulation
3		–	01-296116-001	=		without insulation
		–	01-291711-006	=		with insulation
4		–	01-296112-001	=		
5		–	04-001039-001	=		
6		–	01-291426-003	=		
7		–	01-245279-003	=		
8		–	01-245281-001	=		
9		–	01-245278-001	=		
10		–	04-001211-001	04-001211-002		
11		–	04-001187-001	04-001187-002		
12		–	04-001212-001	=		
13		–	04-001212-002	=		
14		–	01-537409-016	=		

# CS/CN/CP

## C Pre-washing - Infeed mechanical

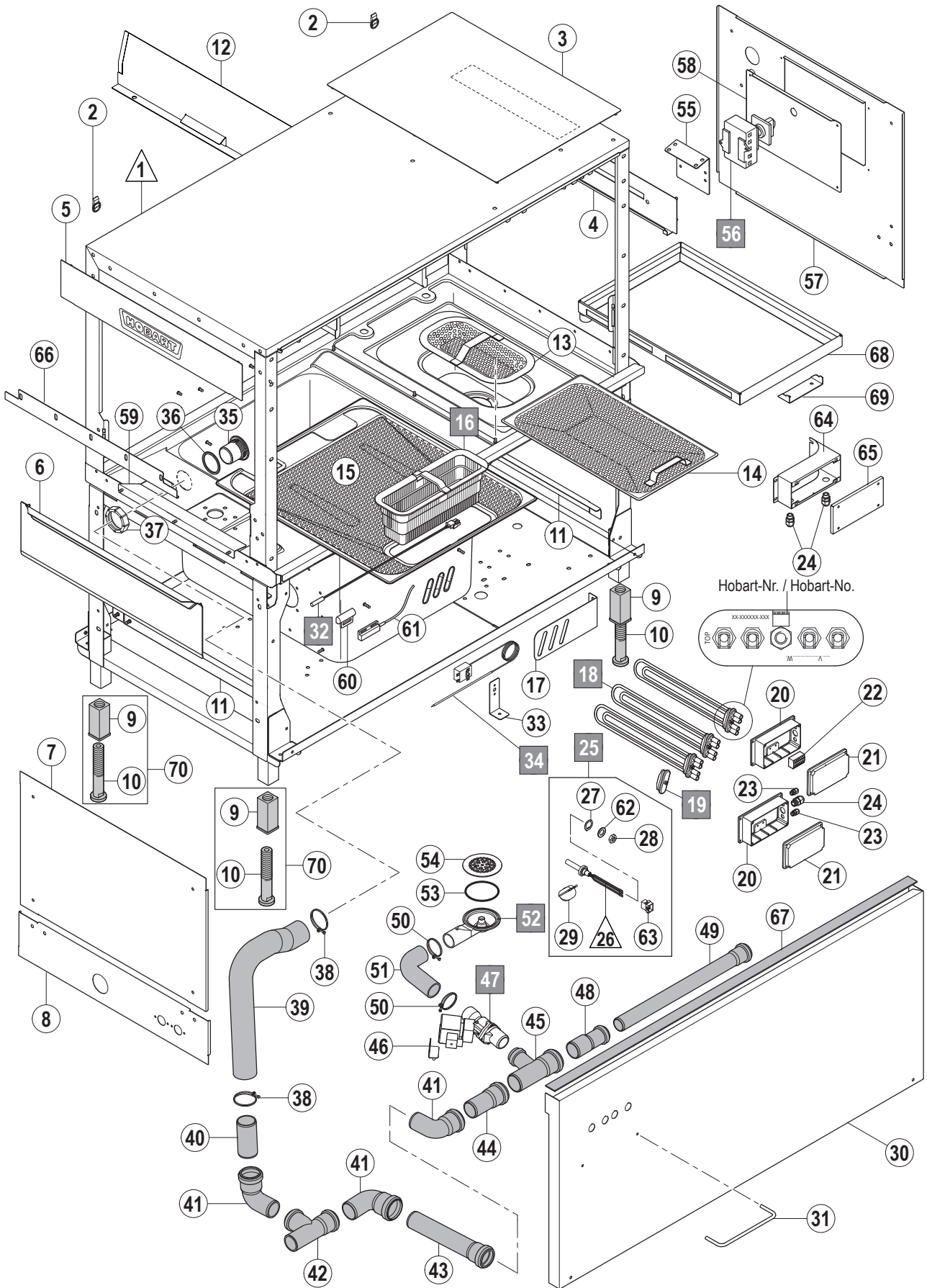
### 15. C Pre-washing - Infeed mechanical



Legend:    A = Running direction                      B = Machine basic type                      X = Length

Pos. no.	A	B [mm]			X [mm]	Remarks
		CS	CN	CP		
1		–	00-887920-001	=		
2		–	00-887936-001	=		
3		–	00-887921-001	=		
4		–	00-380061-002	=		
5		–	00-868469-001	=		
6		–	00-380061-004	=		
7		–	00-693478-002	=		
8		–	00-868366-001	=		
9		–	00-696845-001	=		
10		–	00-897661-001	=		
11		–	00-696851-001	=		

### 16. AR/AN Washing - Module



Legend: A = Running direction      B = Machine basic type      X = Length

Pos. no.	A	B [mm]			X [mm]	Remarks
		CS	CN	CP		
1	L/R	04-001071-005	04-001071-001	04-001071-003		
	R/L	04-001071-006	04-001071-002	04-001071-004		
2		ML102835	–	–		Service kit incl. screw
3		01-291799-001	–	–		
4		01-291434-001	=	=		
5		01-291497-001	–	–		
6		01-291429-001	=	=		
7		01-291409-001	=	=		
8	L/R	01-291408-001	=	=		
	R/L	01-291408-002	=	=		
9		00-325008-001	=	=		
10		00-325007-001	=	=		
11		01-291432-001	=	=		
12	L/R	04-001274-001	=	=		
	R/L	04-001274-002	=	=		
13		00-325074-002	=	–		
14		–	01-518207-003	=		
15	L/R	01-533376-006	=	=		
	R/L	01-533376-005	=	=		
16		01-245170-011	=	=		Plastic
		01-245867-007	=	=		Stainless steel
17		01-245372-002	=	=		
18		00-324637-...	=	=		see wiring diagram
19		00-774808-001	=	=		
20		–	01-245373-001	=		
21		–	01-245374-001	=		
22		–	00-325025-001	=		
23		–	00-695661-001	=		
24		–	00-695661-003	=		
25		01-245621-003	01-245621-009	=		Easytronic/Infotronic
		–	01-245621-010	=		Protronic
26		00-226282-002	01-296000-007	=		Infotronic
		–	01-296000-008	=		Protronic
27		00-112467-000	=	=		
28		00-602476-000	=	=		
29		00-122674-000	=	=		
30	L/R	01-291787-001	01-291787-005	01-291407-010		with pre-washing
	R/L	01-291787-002	01-291787-006	01-291407-010		with pre-washing
		–	01-291787-004	–		without pre-washing
31		00-895734-001	–	–		
32		–	01-240288-001	=		
33		00-895758-001	–	–		
34		00-226505-...	–	–		

Legend: A = Running direction B = Machine basic type X = Length

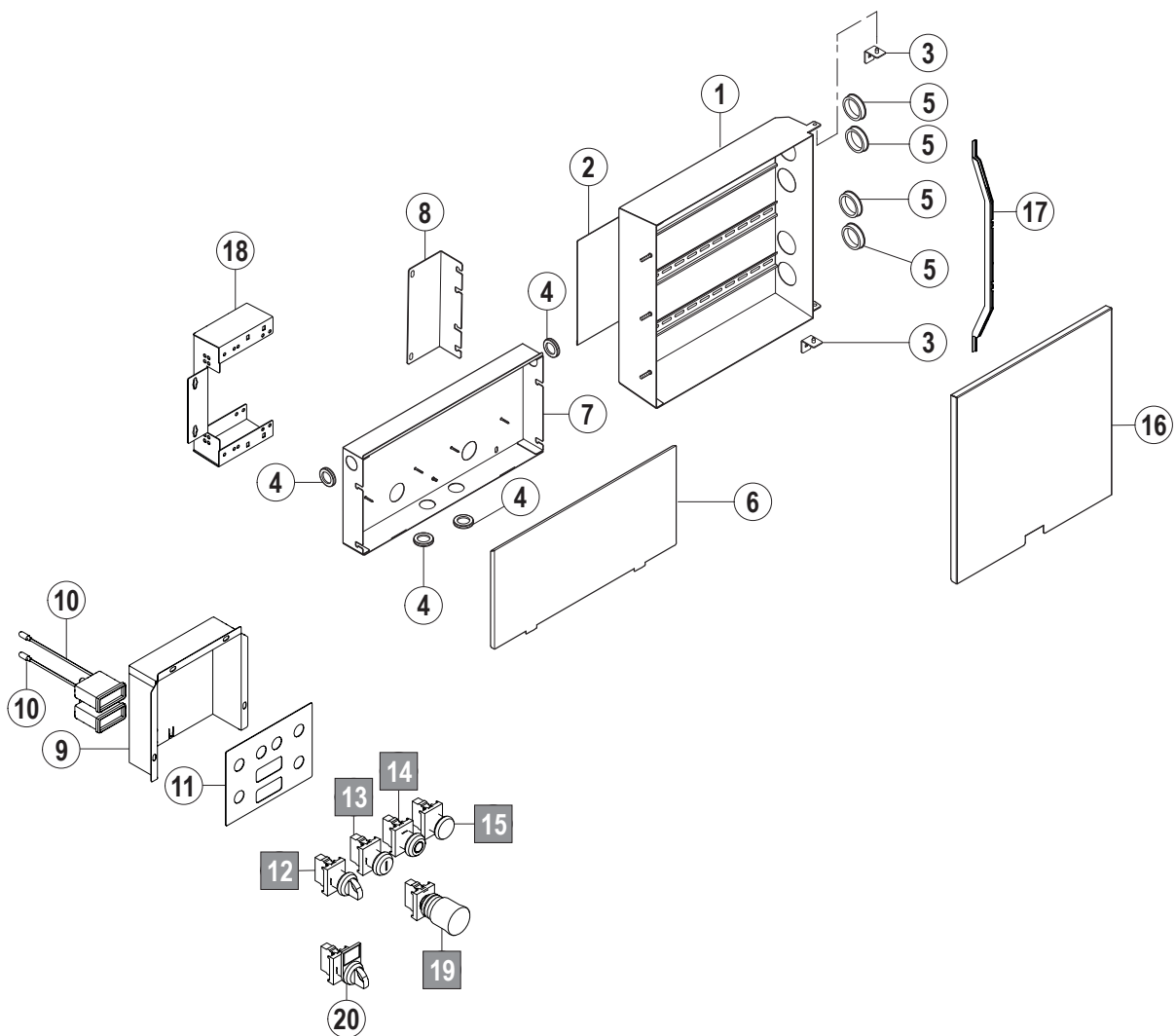
Pos. no.	A	B [mm]			X [mm]	Remarks
		CS	CN	CP		
35		01-245112-001	=	=		
36		01-245460-001	=	=		
37		01-245165-001	=	=		
38		00-323945-064	=	=		
39		01-291519-001	=	=		
40		00-325737-007	=	=		
41		00-230080-001	=	=		
42		00-230079-001	=	=		
43		00-229679-006	=	=		
44		00-229679-013	=	=		
45		00-323593-002	=	=		
46		01-291684-001	=	=		
47		00-774683-...	=	=		see wiring diagram
48		00-325708-001	=	=		
49		00-325706-017	=	=		
50		00-323945-053	=	=		
51		01-291527-001	=	=		
52		01-245109-001	=	=		
53		01-245340-004	=	=		
54		01-245107-001	=	=		
55		01-291425-001	=	-		
56		00-785574-...	=	-		see wiring diagram
57	L/R	01-296274-001	=	-		
	R/L	01-296274-002	=	-		
58		01-291427-001	=	-		
59		00-895737-001	-	-		
60		-	00-883838-001	-		
61		00-229517-000	-	-		
62		-	00-168611-021	=		
63		-	00-785573-004	-		
64	L/R	-	-	01-245657-001		
	R/L	-	-	01-245657-002		
65		-	-	01-296584-002		
66		00-896394-001	=	=		
67		01-296451-001	=	=		
68		-	-	01-292020-005		
69		-	-	01-245968-003		
70		ML102829	=	=		





AR/AN Washing - Integrated switch cabinet

17. AR/AN Washing - Integrated switch cabinet

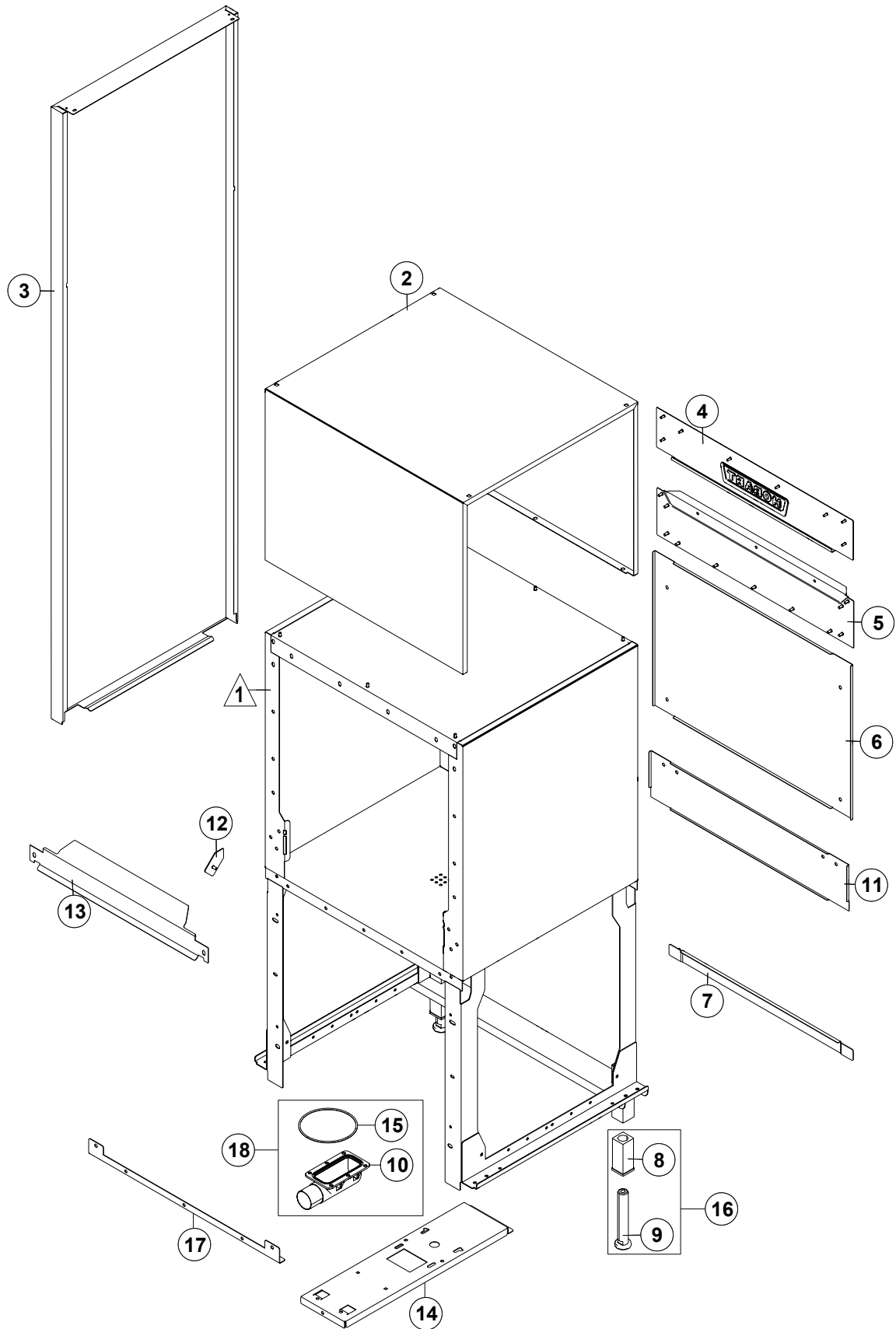


## AR/AN Washing - Integrated switch cabinet

Legend: A = Running direction B = Machine basic type X = Length

Pos. no.	A	B [mm]			X [mm]	Remarks
		CS	CN	CP		
1	L/R	01-518293-001	=	--		
	R/L	01-518293-002	=	--		
2		00-374384-001	=	--		
3		01-245228-003	=	--		
4		--	00-785565-005	--		
5		00-886756-001	=	--		
6		--	04-001248-001	--		
7		--	04-001029-001	--		
8		01-291786-003	--	--		
9		00-899256-001	--	--		
10		00-228720-003	--	--		
11		01-291809-001	--	--		without Pos.10
		01-291809-002	--	--		with Pos.10
12		01-533916-001	--	--		Service kit
13		01-533917-001	--	--		Service kit
14		00-895404-000	--	--		Service kit
15		01-533918-001	--	--		Service kit
16		01-296475-001	=	--		
17		04-001162-001	=	--		
18		--	04-001267-003	--		
19		01-291707-001	--	--		Service kit
20		01-533919-001	--	--		Service kit

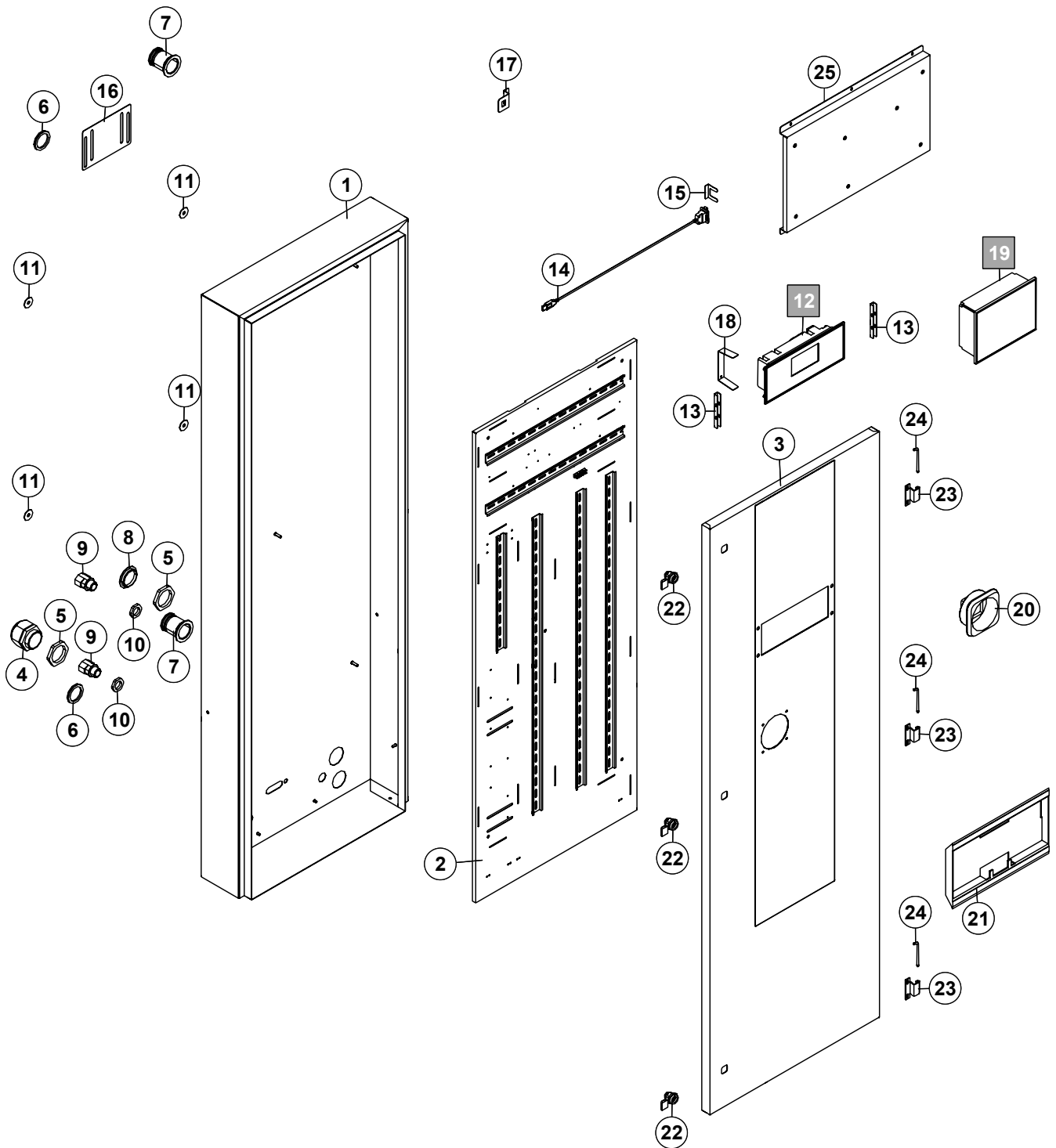
18. ND - Module



Legend:    A = Running direction                      B = Machine basic type                      X = Length

Pos. no.	A	B [mm]			X [mm]	Remarks
		CS	CN	CP		
1		–	01-291518-003	=		
2		–	01-291673-005	=		
3		–	01-291466-008	=		
4		–	01-291497-001	=		
5		–	01-291429-002	=		
6		–	01-291419-014	=		
7		–	01-291432-001	=		
8		–	00-325008-001	=		
9		–	00-325007-001	=		
10		–	00-325529-001	=		
11		–	01-296552-001	=		
12		–	01-296621-001	=		
13		–	01-291461-001	=		
14		–	04-001111-003	=		
15		–	00-276903-035	=		
16		–	ML102829	=		
17		–	04-001225-002	=		
18		–	ML102834	=		

### 19. ND - Switch box

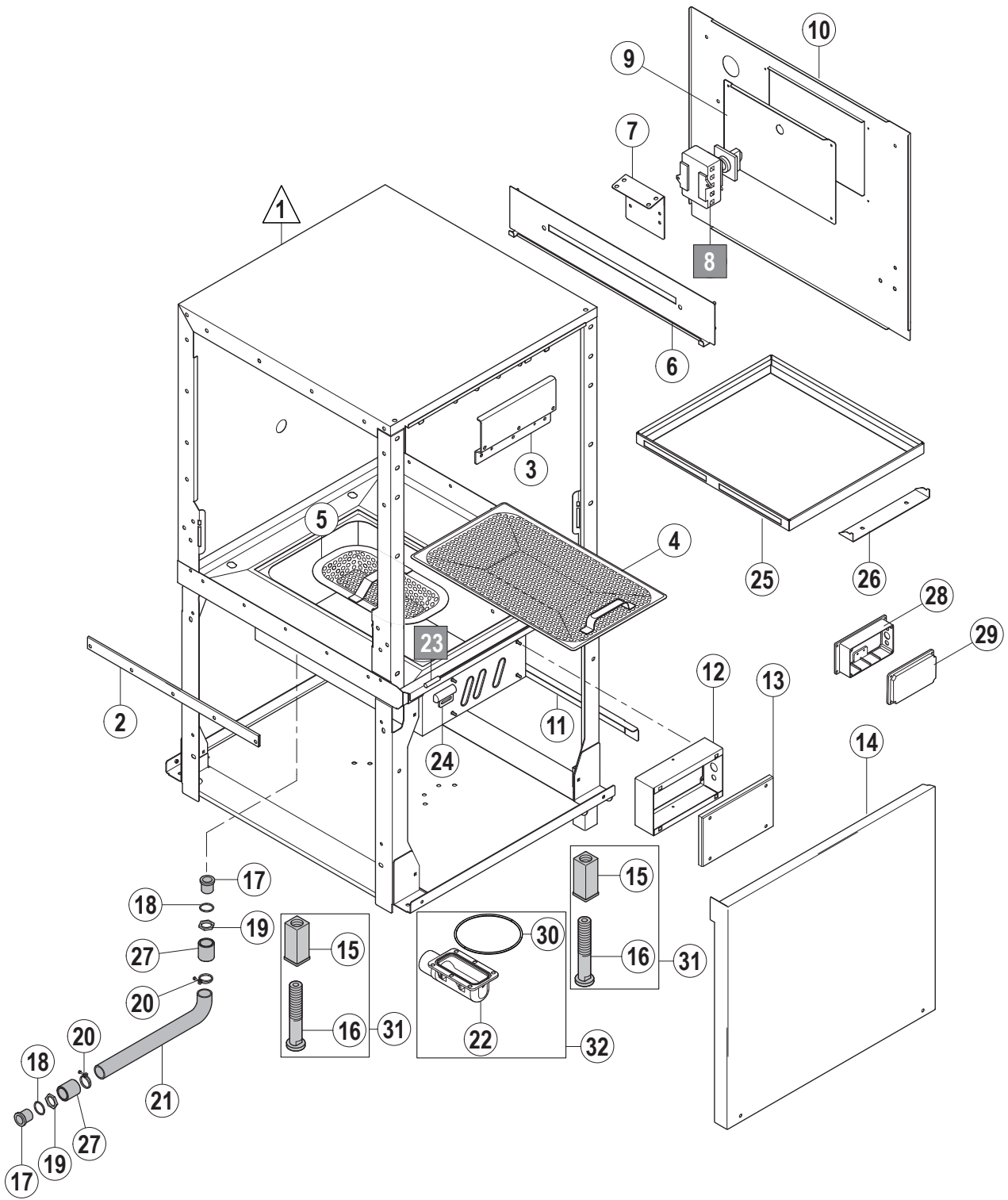


Legend:    A = Running direction                      B = Machine basic type                      X = Length

Pos. no.	A	B [mm]			X [mm]	Remarks
		CS	CN	CP		
1		–	01-245225-005	=		
2		–	00-868499-004	=		
3		–	01-533371-010	–		Infotronic
		–	01-533371-003	01-533371-001		Protronic
4		–	00-695661-007	=		
5		–	00-695664-007	=		
6		–	00-325655-001	=		
7		–	00-325186-001	=		
8		–	00-695666-007	=		
9		–	00-774797-002	=		
10		–	00-695664-004	=		
11		–	00-168382-001	=		
12		–	01-537268-001	–		Infotronic
13		–	04-001193-001	–		
14		–	04-001259-101	=		
15		–	04-001301-001	=		
16		–	04-001231-001	=		
17		–	04-001326-001	–		
18		–	04-001249-001	–		
19		–	00-887104-003	=		Protronic
20		–	00-734115-002	00-734115-004		
21		–	00-174916-002	=		
22		–	00-229518-003	=		
23		–	00-325086-011	=		
24		–	00-325086-013	=		
25		–	04-001380-001	–		

Rinsing - Rinse module

20. Rinsing - Rinse module





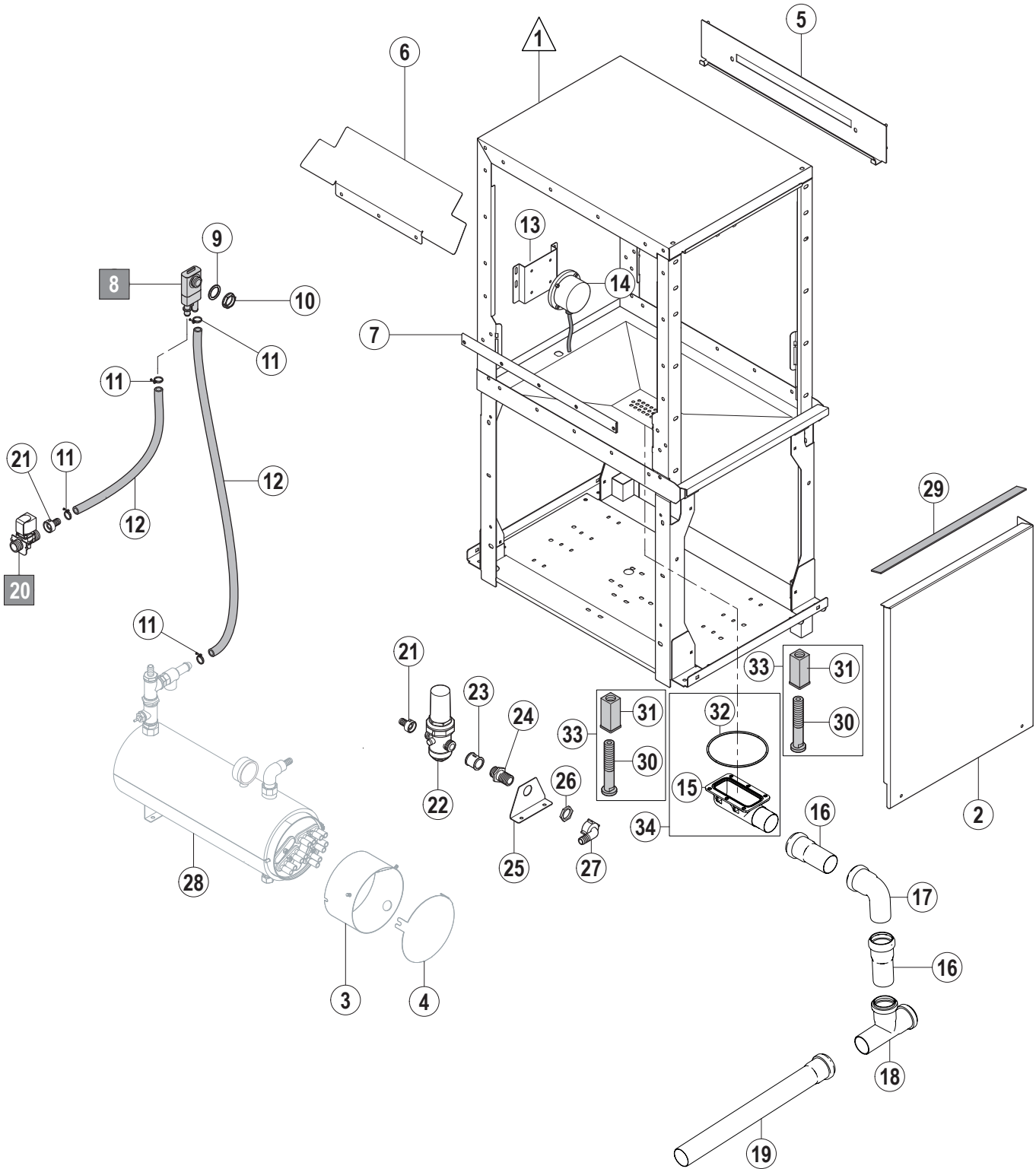
Legend:    A = Running direction                      B = Machine basic type                      X = Length

Pos. no.	A	B [mm]			X [mm]	Remarks
		CS	CN	CP		
1	L/R	–	01-291880-001	01-291880-003		
	R/L	–	01-291880-002	01-291880-004		
2		–	00-325155-003	=		
3		–	01-245279-002	=		
4		–	01-518207-003	=		with magnet
5		–	00-868460-002	–		with magnet
6		–	01-291434-001	=		
7		–	01-291425-002	–		
8		–	00-785574-...	–		see wiring diagram
9		–	01-291427-001	–		
10	L/R	–	01-291419-001	–		
	R/L	–	01-291419-002	–		
11		–	01-291432-001	=		
12		–	–	01-245655-002		
13		–	–	01-245656-004		
14	L/R	–	01-291407-007	01-291407-008		
	R/L	–	01-291407-006	01-291407-008		
15		–	00-325008-001	=		
16		–	00-325007-001	=		
17		–	00-229446-003	=		
18		–	00-168611-011	=		
19		–	00-172739-002	=		
20		–	00-323945-033	=		
21		–	00-898242-003	=		
22		–	00-325529-001	=		
23		–	01-240288-001	=		
24		–	00-883838-001	=		
25		–	–	01-292020-006		
26		–	–	01-245968-001		
27		–	00-226973-006	=		
28		–	01-245373-001	=		
29		–	01-245374-001	=		
30		–	00-276903-035	=		
31		–	ML102829	=		
32		–	ML102834	=		

# CS/CN/CP

## Rinsing - Demi module

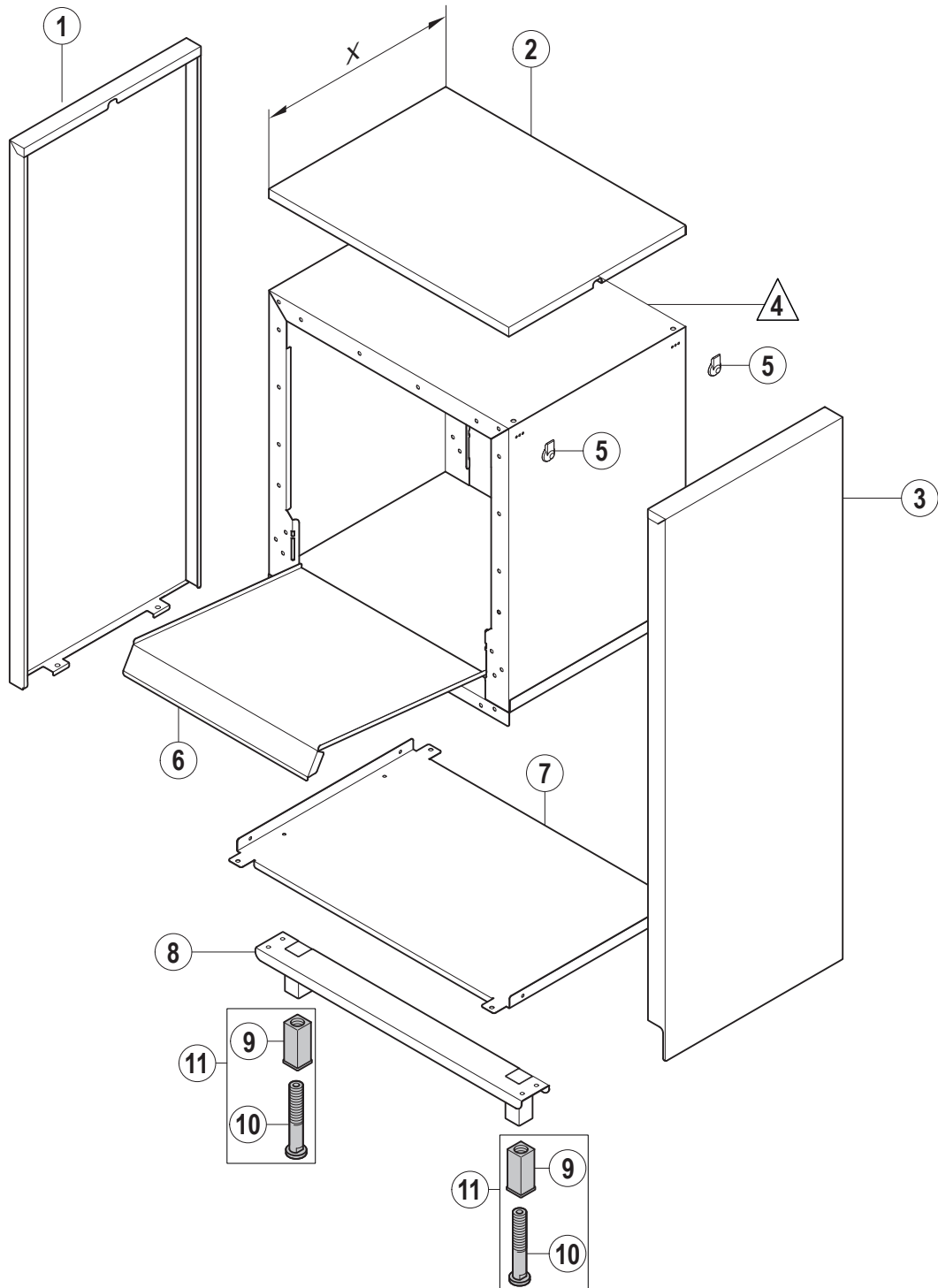
### 21. Rinsing - Demi module



Legend:    A = Running direction                      B = Machine basic type                      X = Length

Pos. no.	A	B [mm]			X [mm]	Remarks
		CS	CN	CP		
1	L/R	–	04-001352-001	=		
	R/L	–	04-001352-002	=		
2	L/R	–	01-291407-009	=		
	R/L	–	01-291407-015	=		
		–	01-291407-016	=		
3		–	04-001175-001	=		
4		–	04-001177-001	=		
5		–	01-291434-001	=		
6		–	00-896430-003	=		
7		–	00-325155-003	=		
8		–	00-775759-001	=		
9		–	00-775305-001	=		
10		–	00-324384-000	=		
11		–	00-323945-022	=		
12		–	01-245571-001	=		
13		–	00-868978-002	=		
14		–	00-301745-001	=		
15		–	00-325529-001	=		
16		–	00-229679-013	=		
17		–	00-230080-001	=		
18		–	00-230079-001	=		
19		–	00-229679-025	=		
20		–	00-297808-010	=		
21		–	00-302201-001	=		
22		–	00-229110-002	=		
23		–	00-603051-000	=		
24		–	01-245850-001	=		
25		–	01-296341-001	=		
26		–	00-172739-002	=		
27		–	00-299240-001	=		
28		–	04-001219-...	=		Details see chapter 25
29		–	01-296451-003	=		
30		–	00-325007-001	=		
31		–	00-325008-001	=		
32		–	00-276903-035	=		
33		–	ML102829	=		
34		–	ML102834	=		

### 22. Disconnecting module

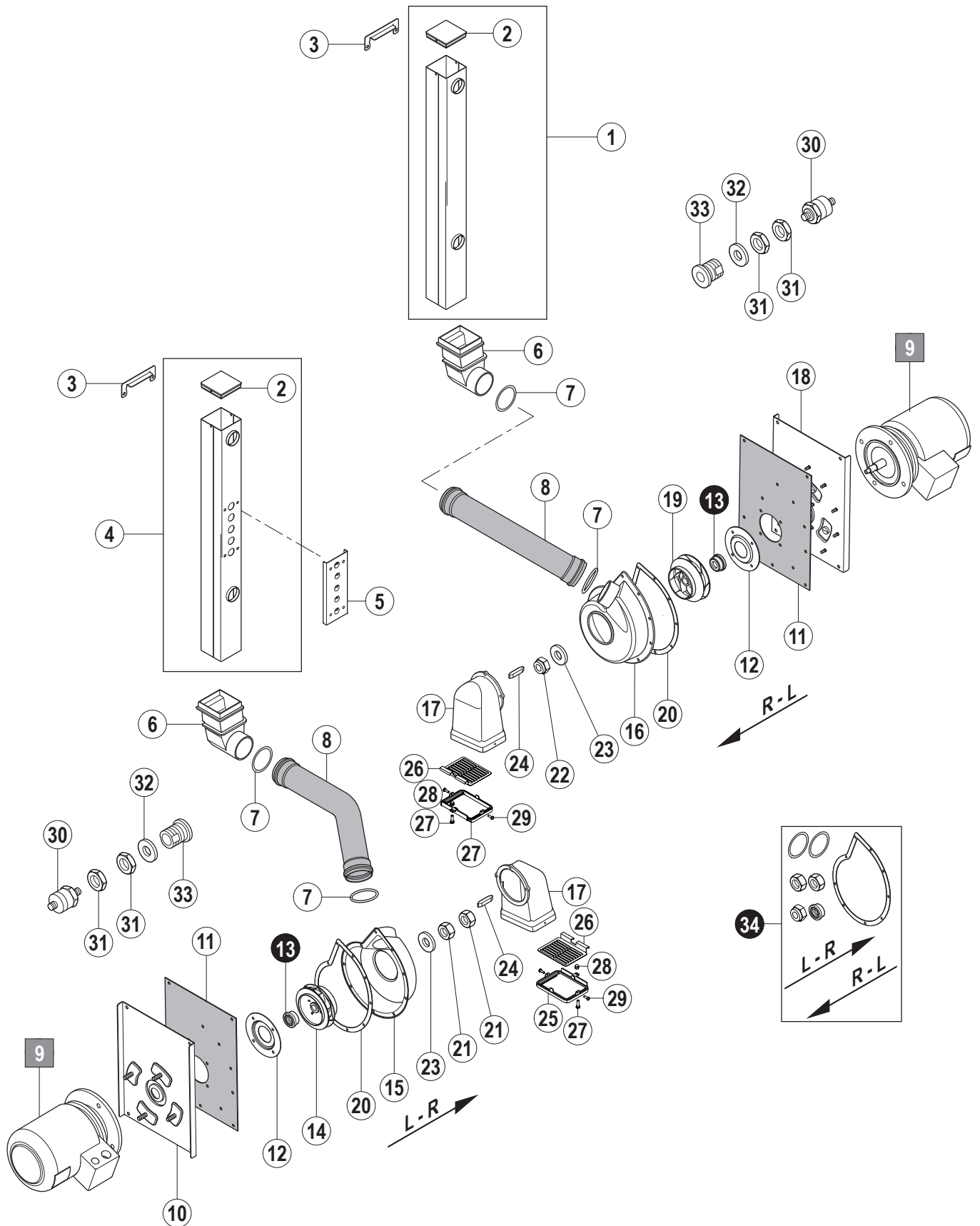


Legend:    A = Running direction                      B = Machine basic type                      X = Length

Pos. no.	A	B [mm]			X [mm]	Remarks
		CS	CN	CP		
1		–	01-291317-004	=	500	
		–	01-291317-008	=	300	
2		–	01-291397-004	=	500	
		–	01-291397-007	=	300	
3		–	01-291866-001	=	500	
		–	01-291866-002	=	300	
4		–	01-291860-001	=	500	
		–	01-291860-002	=	300	
5		–	ML102835	=		Service kit incl. screw
6		–	01-291857-001	=	500	
		–	01-291857-002	=	300	
7		–	01-291856-001	=	500	
		–	01-291856-002	=	300	
8		–	01-291366-005	=		
9		–	00-325008-001	=		
10		–	00-325007-001	=		
11		–	ML102829	=		

Wash system - Wash pump and riser

23. Wash system - Wash pump and riser



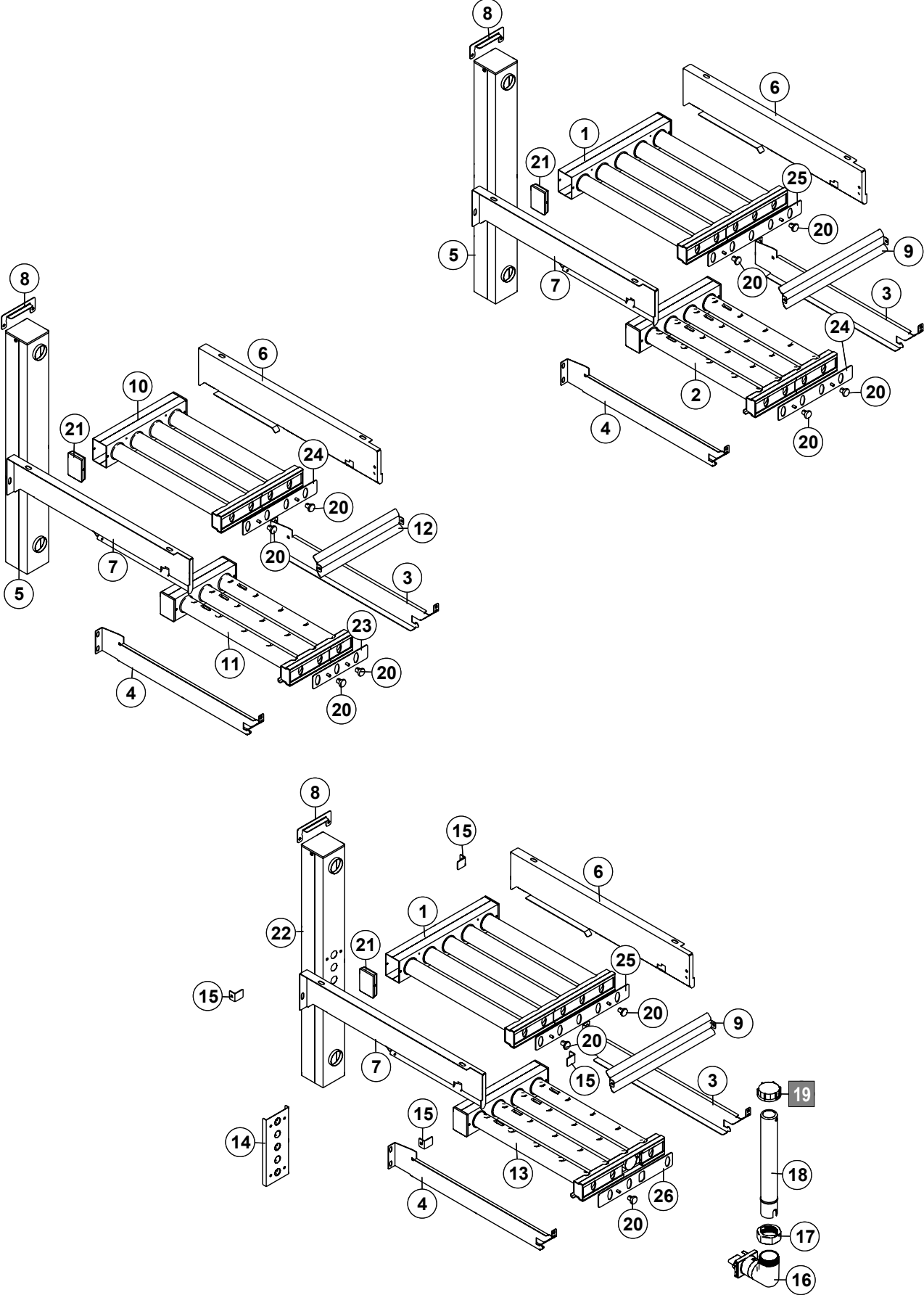
## Wash system - Wash pump and riser

Legend: A = Running direction B = Machine basic type X = Length

Pos. no.	A	B [mm]			X [mm]	Remarks
		CS	CN	CP		
1		01-245669-005	=	=		
2		01-245086-002	=	=		
3		01-245979-001	=	=		
4		–	01-245669-008	=		
5		–	01-245428-002	=		
6		01-245055-001	=	=		
7		01-245340-003	=	=		
8		01-245277-001	=	=		
9		04-001250-...	=	=		
10	L/R	01-245835-003	=	=		
11		01-245386-002	=	=		
12		01-245379-001	=	=		
13		01-245033-002	=	=		
14	L/R	01-245162-004	=	=		50 Hz
	L/R	01-245162-013	=	=		60 Hz
15	L/R	01-245135-004	=	=		
16	R/L	01-245135-005	=	=		
17		01-245713-001	=	=		
18	R/L	01-245835-004	=	=		
19	R/L	01-245088-004	=	=		50 Hz
	R/L	01-245088-013	=	=		60 Hz
20		01-245459-001	=	=		
21	L/R	00-603465-000	=	=		
22	R/L	00-602504-000	=	=		
23		00-602288-000	=	=		
24		00-609801-000	=	=		
25		01-533435-001	=	=		
26		01-533436-001	=	=		
27		00-602571-000	=	=		
28		00-609708-000	=	=		
29		00-602335-000	=	=		
30		–	–	01-297200-001		
31		–	–	00-172739-001		
32		–	–	00-172986-003		
33		–	–	00-869222-002		
34		00-895466-000	=	=		Service kit incl. Pos. 7 (2x), 13, 20, 21 (2x), 22

Wash system - Wash arms

24. Wash system - Wash arms

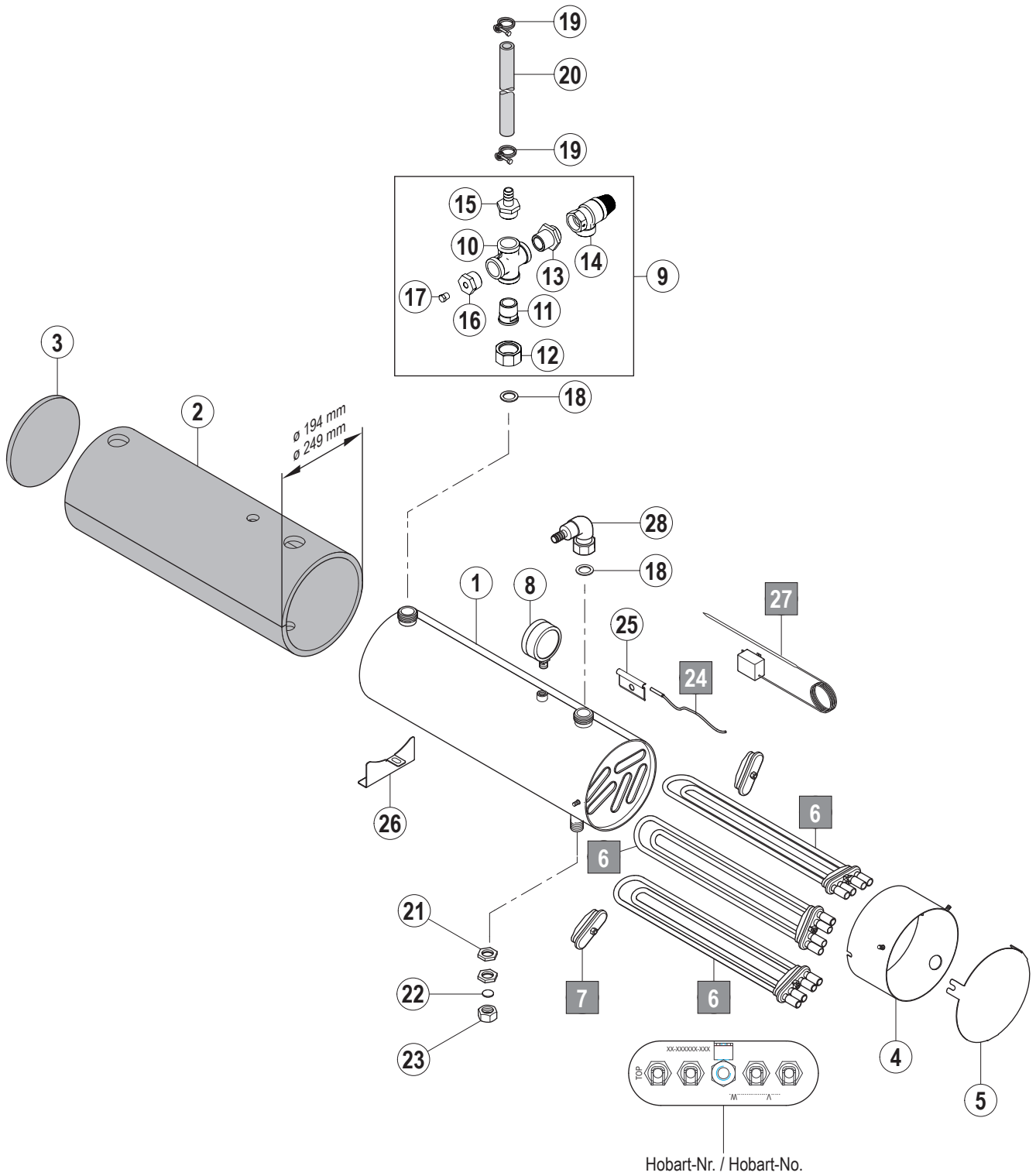




Legend:    A = Running direction                      B = Machine basic type                      X = Length

Pos. no.	A	B [mm]			X [mm]	Remarks
		CS	CN	CP		
1	L/R	–	04-001000-001	=		AR-Module, S-Module (incl. Pos. 20 and 25)
	R/L	–	04-001000-003	=		AR-Module, S-Module (incl. Pos. 20 and 25)
2	L/R	–	04-001000-002	=		AR-Module, S-Module (incl. Pos. 20 and 24)
	R/L	–	04-001000-004	=		AR-Module, S-Module (incl. Pos. 20 and 24)
3		01-291358-001	=	=		
4		01-291358-002	=	=		
5		01-245669-005	=	=		
6	L/R	04-001027-001	=	=		
	R/L	04-001027-003	=	=		
7	L/R	04-001027-004	=	=		
	R/L	04-001027-002	=	=		
8		01-245979-001	=	=		
9		–	01-533054-002	=		
10	L/R	04-001000-009	–	–		AR-Module (incl. Pos. 20 and 24)
	R/L	04-001000-011	–	–		AR-Module (incl. Pos. 20 and 24)
	L/R	–	04-001000-005	=		L-Module (incl. Pos. 20 and 24)
	R/L	–	04-001000-007	=		L-Module (incl. Pos. 20 and 24)
	L/R	–	04-001000-013	=		C-Module (incl. Pos. 20 and 24)
	R/L	–	04-001000-015	=		C-Module (incl. Pos. 20 and 24)
11	L/R	04-001000-010	–	=		AR-Module (incl. Pos. 20 and 23)
	R/L	04-001000-012	–	=		AR-Module (incl. Pos. 20 and 23)
	L/R	–	04-001000-006	=		L-Module (incl. Pos. 20 and 23)
	R/L	–	04-001000-008	=		L-Module (incl. Pos. 20 and 23)
	L/R	–	04-001000-014	=		C-Module (incl. Pos. 20 and 23)
	R/L	–	04-001000-016	=		C-Module (incl. Pos. 20 and 23)
12		01-533054-003	=	=		
13	L/R	–	04-001000-018	=		AR-Module, S-Module (incl. Pos. 17-20 and 26)
	R/L	–	04-001000-020	=		AR-Module, S-Module (incl. Pos. 17-20 and 26)
14		–	01-245428-002	=		
15		–	01-291886-001	=		
16		–	04-001290-001	=		
17		–	01-245424-001	=		
18	L/R	–	01-245425-001	=		
	R/L	–	01-245425-002	=		
19		–	01-245084-002	=		
20		01-533047-002	=	=		
21		01-245086-001	=	=		
22		–	01-245669-008	=		
23		–	01-533048-004	=		
24		–	01-533048-003	=		
25		–	01-533048-002	=		
26		–	01-533048-010	=		

### 25. Heater - el. heated

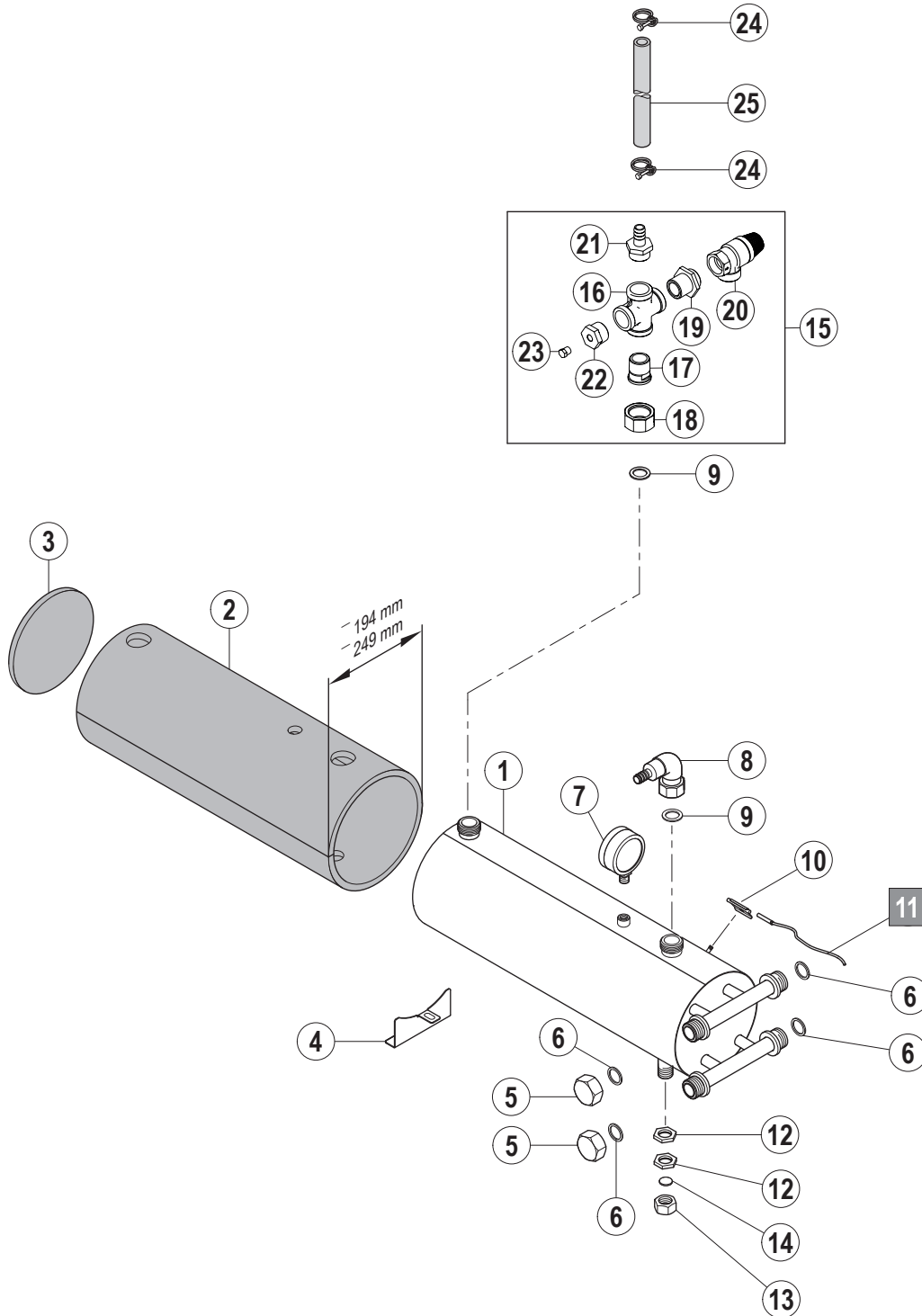


Legend: A = Running direction      B = Machine basic type      X = Length

Pos. no.	A	B [mm]			X [mm]	Remarks
		CS	CN	CP		
1		04-001169-001	=	=	Ø194	with insulation
		01-241873-001	=	=	Ø249	with insulation
2		04-001172-001	=	=	Ø194	
		01-241874-001	=	=	Ø249	
3		04-001173-001	=	=	Ø194	
		01-241876-001	=	=	Ø249	
4		04-001175-001	=	=	Ø194	
		01-249044-002	=	=	Ø249	
5		04-001177-001	=	=	Ø194	
		01-296351-002	=	=	Ø249	
6		00-324637-...	=	=		No. see flange
7		00-774808-001	=	=		
8		00-229583-002	=	=		
9		04-001127-001	=	=		
10		04-001124-001	=	=		
11		01-291286-001	=	=		
12		00-600806-000	=	=		
13		00-227931-000	=	=		
14		04-001125-001	=	=		
15		00-897680-001	=	=		
16		01-291287-003	=	=		
17		00-226989-000	=	=		
18		00-168611-003	=	=		
19		00-323945-022	=	=		
20		01-245571-002	=	=		L=2000 mm
21		00-172739-001	=	=		
22		00-168611-022	=	=		
23		00-600588-000	=	=		
24		–	00-775612-001	–		Infotronic
		–	01-533245-001	=		Protronic
25		00-775489-001	=	=		
26		01-243201-001	=	=		
27		00-226505-004	–	–		
28		01-296696-001	=	=		

Heater - steam heated

26. Heater - steam heated

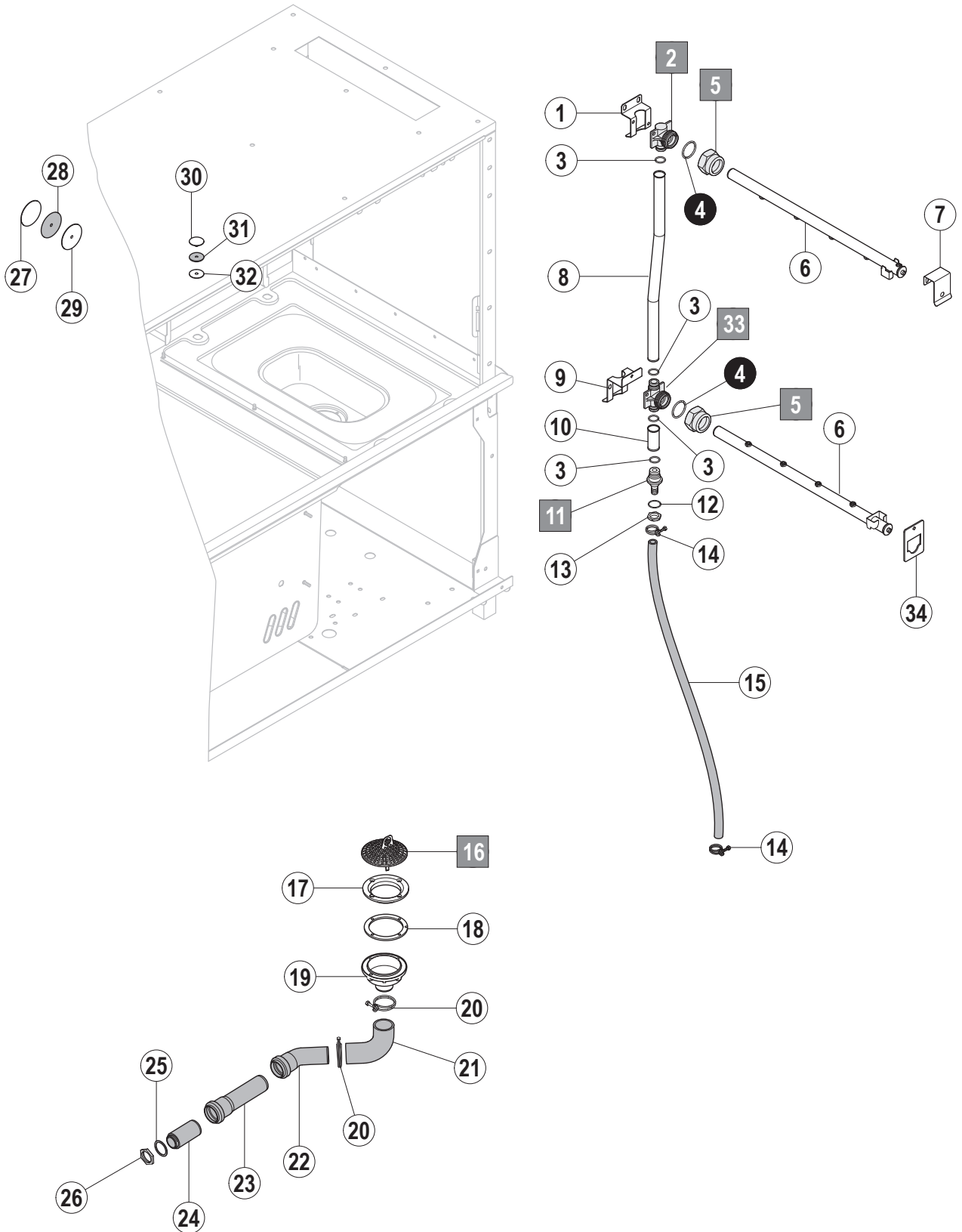


Legend: A = Running direction      B = Machine basic type      X = Length

Pos. no.	A	B [mm]			X [mm]	Remarks
		CS	CN	CP		
1		–	–	01-245602-002	Ø194	with insulation
		–	–	01-245951-002	Ø249	with insulation
2		–	–	00-897657-001	Ø194	
		–	–	01-241874-001	Ø249	
3		–	–	00-897657-002	Ø194	
		–	–	01-241876-001	Ø249	
4		–	–	01-243201-001		
5		–	–	01-245605-001		
6		–	–	00-302574-014		
7		–	–	00-229583-002		
8		–	–	01-296696-001		
9		–	–	00-168611-003		
10		–	–	00-775489-001		
11		–	–	00-775612-001		
		–	–	01-533245-001		Protronic
12		–	–	00-172739-001		
13		–	–	00-600588-000		
14		–	–	00-168611-022		
15		–	–	04-001127-001		
16		–	–	04-001124-001		
17		–	–	01-291286-001		
18		–	–	00-600806-000		
19		–	–	00-227931-000		
20		–	–	04-001125-001		
21		–	–	00-897680-001		
22		–	–	01-291287-003		
23		–	–	00-226989-000		
24		–	–	00-323945-022		
25		–	–	01-245571-002		L=2000 mm

Rinse system - Mono rinsing

27. Rinse system - Mono rinsing

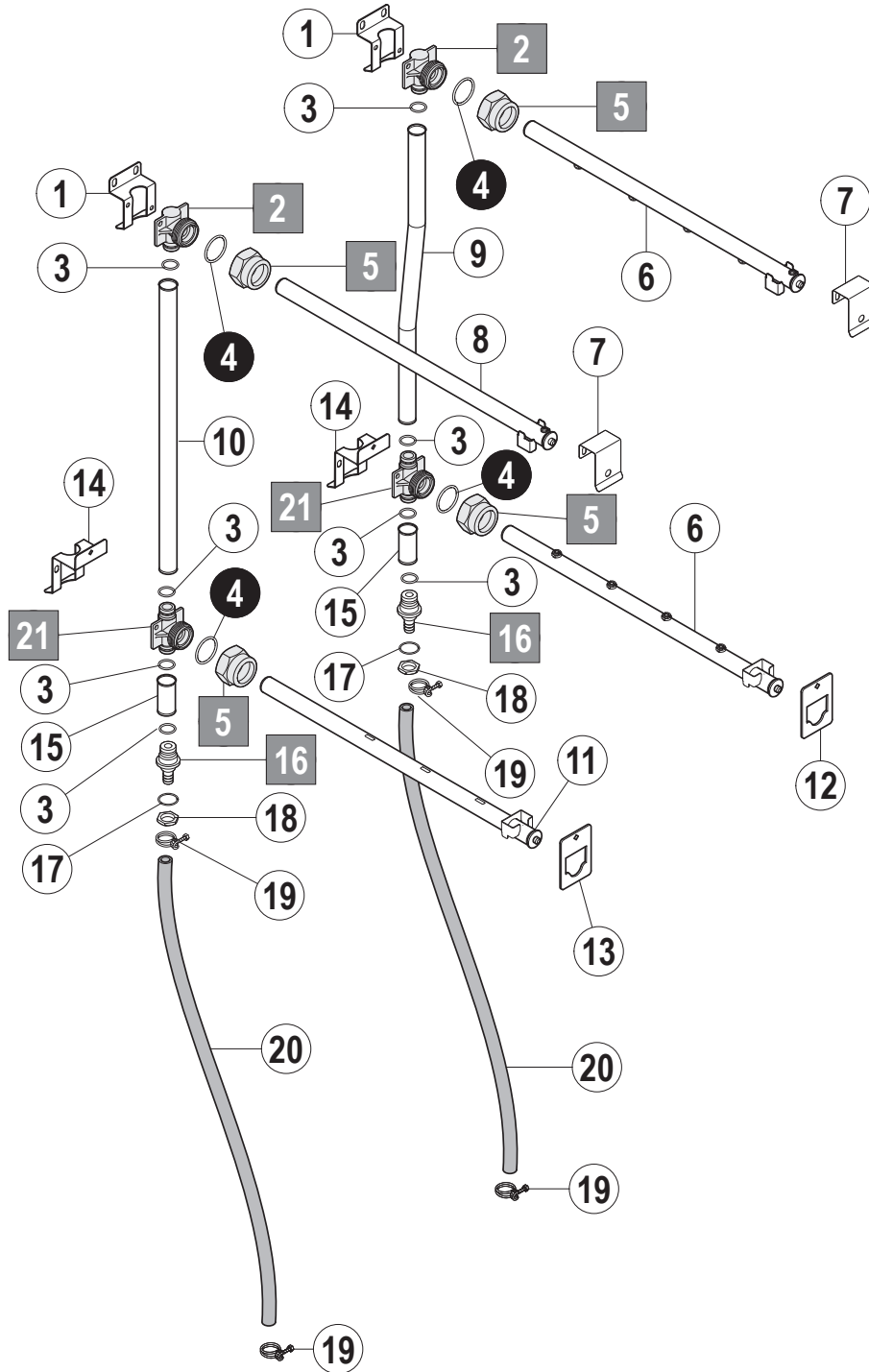


Legend: A = Running direction      B = Machine basic type      X = Length

Pos. no.	A	B [mm]			X [mm]	Remarks
		CS	CN	CP		
1		01-291337-001	–	–		
2		01-245318-002	–	–		
3		01-245340-001	–	–		
4		00-884505-002	–	–		
5		00-885572-001	–	–		
6		01-291340-001	–	–		
		01-291340-004	–	–		Demineralised water rinse
7		01-245062-001	–	–		
8		01-245323-003	–	–		
9		01-291341-001	–	–		
10		01-291297-001	–	–		
11		01-245329-002	–	–		
12		00-172986-003	–	–		
13		00-172739-009	–	–		
14		00-323945-022	–	–		
15		01-245571-001	–	–		
16		00-775750-001	–	–		
17		00-324053-000	–	–		
18		00-324056-000	–	–		
19		01-291536-001	–	–		
20		00-323945-053	–	–		
21		01-291527-002	–	–		
22		00-377340-003	–	–		
23		00-325706-013	–	–		
24		00-774616-001	–	–		
25		00-172986-028	–	–		
26		00-172739-008	–	–		
27		00-869137-001	–	–		
28		00-168611-023	–	–		
29		00-696943-014	–	–		
30		00-869137-003	–	–		
31		00-168611-024	–	–		
32		00-696943-030	–	–		
33		01-245318-001	–	–		
34		01-291351-001	–	–		
		01-291351-004	–	–		Demineralised water rinse

Rinse system - Duo rinsing CS

28. Rinse system - Duo rinsing CS



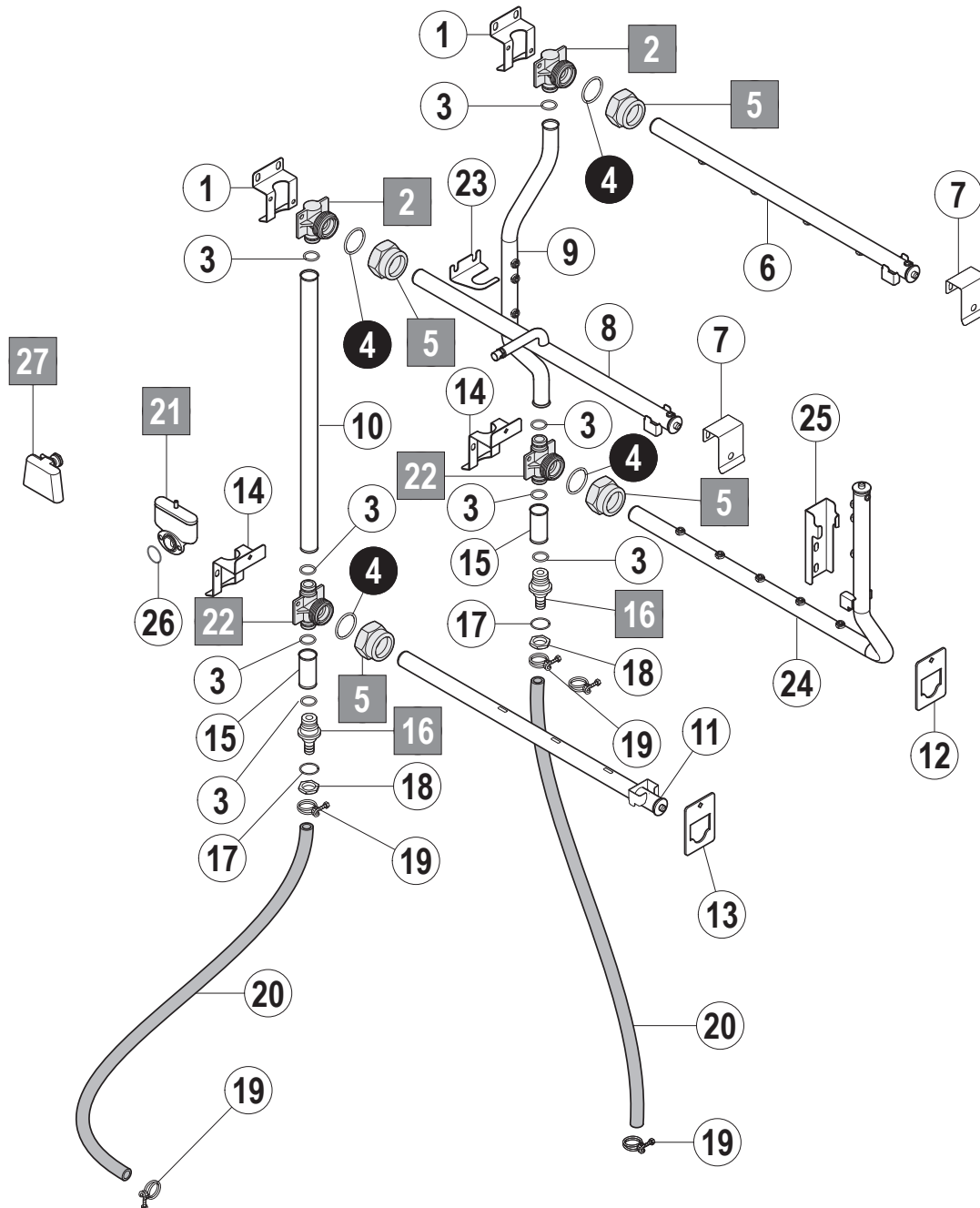


Legend:    A = Running direction                      B = Machine basic type                      X = Length

Pos. no.	A	B [mm]			X [mm]	Remarks
		CS	CN	CP		
1		01-291337-001	–	–		
2		01-245318-002	–	–		
3		01-245340-001	–	–		Standard
4		00-884505-002	–	–		
5		00-885572-001	–	–		
6		01-291340-001	–	–		
7		01-245062-001	–	–		
8		01-291305-001	–	–		
9		01-245323-003	–	–		
10		01-291297-002	–	–		
11		01-291305-001	–	–		
12		01-291351-001	–	–		
13	L/R	01-291351-002	–	–		
	R/L	01-291351-003	–	–		
14		01-291341-001	–	–		
15		01-291297-001	–	–		
16		01-245329-002	–	–		
17		00-172986-003	–	–		
18		00-172739-009	–	–		
19		00-323945-022	–	–		
20		01-245571-001	–	–		L=1000 mm
21		01-245318-001	–	–		

Rinse system - Duo rinsing / Triple rinsing, CN/CP

29. Rinse system - Duo rinsing / Triple rinsing, CN/CP



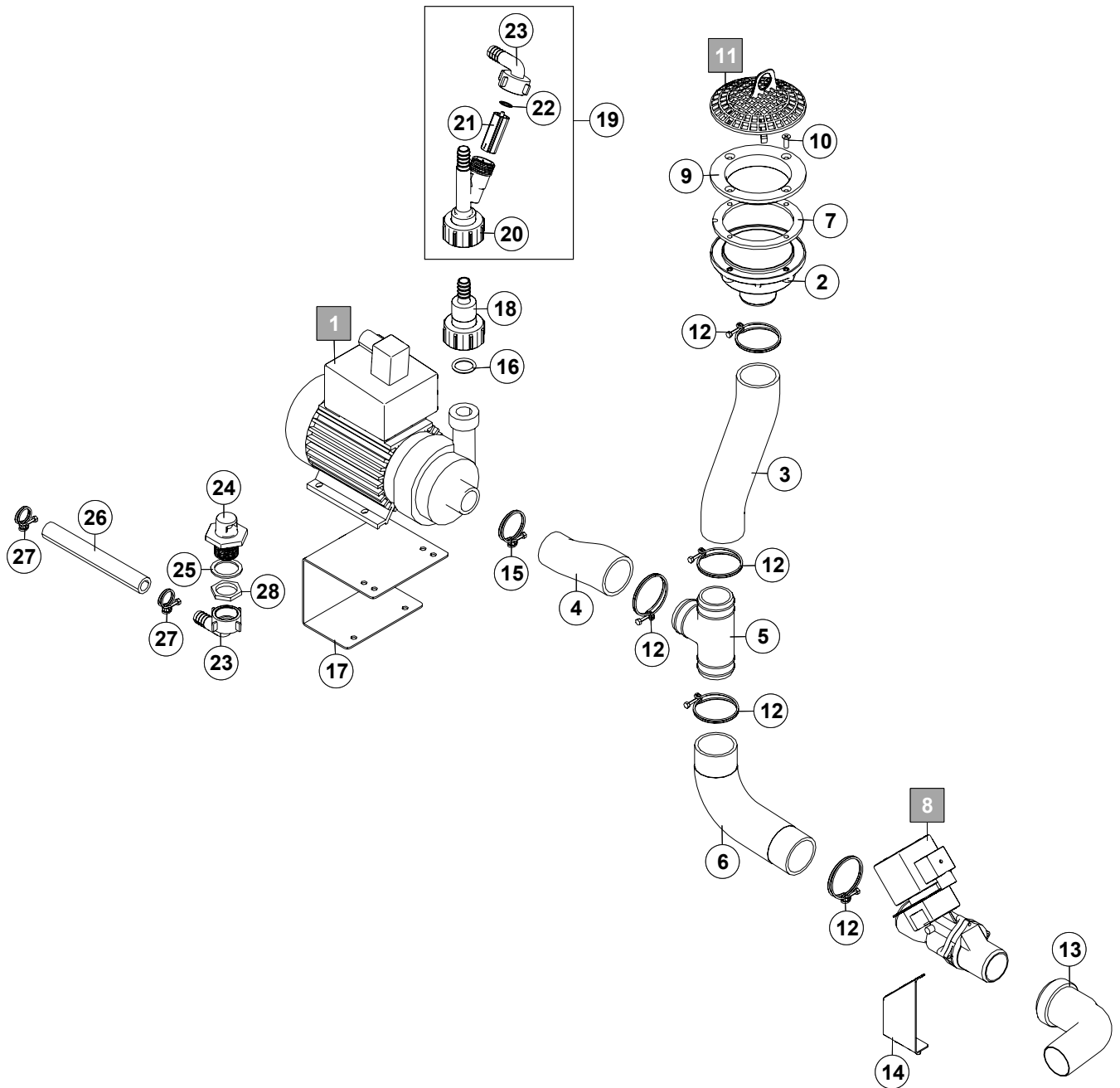
## Rinse system - Duo rinsing / Triple rinsing, CN/CP

Legend: A = Running direction B = Machine basic type X = Length

Pos. no.	A	B [mm]			X [mm]	Remarks
		CS	CN	CP		
1		–	01-291337-001	=		
2		–	01-245318-002	=		
3		–	01-245340-001	=		Standard
4		–	00-884505-002	=		
5		–	00-885572-001	=		
6		–	01-291340-002	=		
7		–	01-245062-001	=		
8		–	01-291305-001	–		
	L/R	–	01-291305-002	=		Triple rinsing
	R/L	–	01-291305-003	=		Triple rinsing
9	L/R	–	01-291353-001	=		
	R/L	–	01-291355-001	=		
10		–	01-291297-002	=		
11		–	01-291305-001	=		
12		–	01-291351-001	=		
13	L/R	–	01-291351-002	=		
	R/L	–	01-291351-003	=		
14		–	01-291341-001	=		
15		–	01-291297-001	=		
16		–	01-245329-002	=		
17		–	00-172986-003	=		
18		–	00-172739-009	=		
19		–	00-323945-022	=		
20		–	01-245571-001	=		L=1000 mm
21		–	01-240372-001	=		Service kit with Pos. 26 incl. washers and nuts
22		–	01-245318-001	=		
23		–	01-291346-001	=		
24	L/R	–	01-291345-001	=		
	R/L	–	01-291350-001	=		
25		–	01-291347-001	=		
26		–	00-276903-056	=		
27		–	00-324858-001	=		

Rinse system - Duo pump-1

30. Rinse system - Duo pump-1

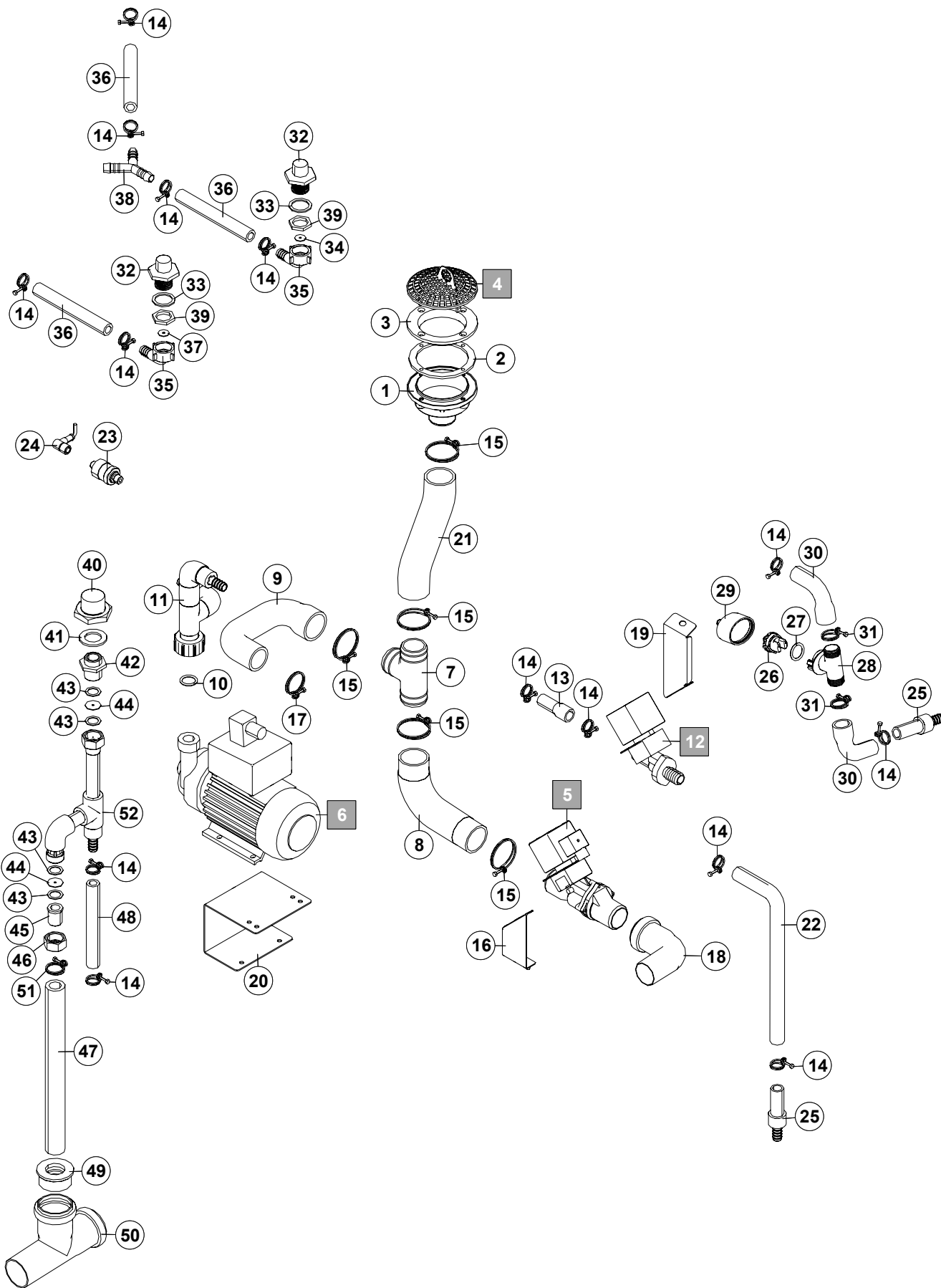


Legend:    A = Running direction                      B = Machine basic type                      X = Length

Pos. no.	A	B [mm]			X [mm]	Remarks
		CS	CN	CP		
1		00-781237-...	=	--		SEE wiring diagram
2		01-291536-001	=	--		
3		01-291525-001	=	--		
4		01-291526-001	=	--		
5		01-291562-001	=	--		
6		01-291527-001	=	--		
7		00-324056-000	=	--		
8		00-774683-...	=	--		SEE wiring diagram
9		00-324053-000	=	--		
10		00-603182-000	=	--		
11		00-775750-001	=	--		
12		00-323945-053	=	--		
13		00-230080-002	=	--		
14		01-291686-001	=	--		
15		00-323945-040	=	--		
16		00-067500-072	=	--		
17		01-296093-001	=	--		
18		00-895735-001	=	--		Duo rinsing
19		--	04-001351-001	--		Triple rinsing
20		--	04-001299-001	--		
21		--	04-001297-001	--		
22		--	01-245340-006	--		
23		--	00-299240-001	--		
24		--	01-533278-001	--		
25		--	00-172986-041	--		
26		--	01-245571-001	--		
27		--	00-323945-022	--		
28		--	00-172739-002	--		

Rinse system - Duo pump-2

31. Rinse system - Duo pump-2



Legend:    A = Running direction                    B = Machine basic type                    X = Length

Pos. no.	A	B [mm]			X [mm]	Remarks
		CS	CN	CP		
1		–	01-291536-001	=		
2		–	00-324056-000	=		
3		–	00-324053-000	=		
4		–	00-775750-001	=		
5		–	00-774683-...	=		see wiring diagram
6		–	00-781237-...	=		see wiring diagram
7		–	01-291562-001	=		
8		–	01-291527-001	=		
9		–	01-291691-001	=		
10		–	00-067500-072	=		
11	L/R	–	01-291679-003	01-291679-007		
	R/L	–	01-291679-004	01-291679-008		
12		–	00-323592-...	=		see wiring diagram
13		–	00-887667-002	=		
14		–	00-323945-022	=		
15		–	00-323945-053	=		
16		–	01-291686-001	=		
17		–	00-323945-040	=		
18		–	00-230080-002	=		
19	L/R	–	01-291689-001	=		
	R/L	–	01-291687-001	=		
20		–	01-296093-001	=		
21		–	01-291525-001	=		
22		–	00-324077-026	=		
23		–	–	01-297200-001		
24		–	–	00-695674-013		
25		–	–	00-897679-003		
26		–	–	01-515020-001		
27		–	–	00-276903-061		
28		–	–	01-515021-001		
29		–	–	00-887142-001		
30		–	–	01-518255-001		
31		–	–	00-323945-029		
32		–	01-533278-001	=		
33		–	00-172986-041	=		
34		–	01-245857-031	=		Diaphragm AR-washing
35		–	00-299240-001	=		
36		–	01-245571-001	=		L=1000 mm
37		–	01-245857-032	=		Diaphragm pre-washing
38		–	00-174047-001	=		
39		–	00-172739-002	=		
40		–	00-774670-001	–		
41		–	00-172986-027	–		

## Rinse system - Duo pump-2

Legend: A = Running direction

B = Machine basic type

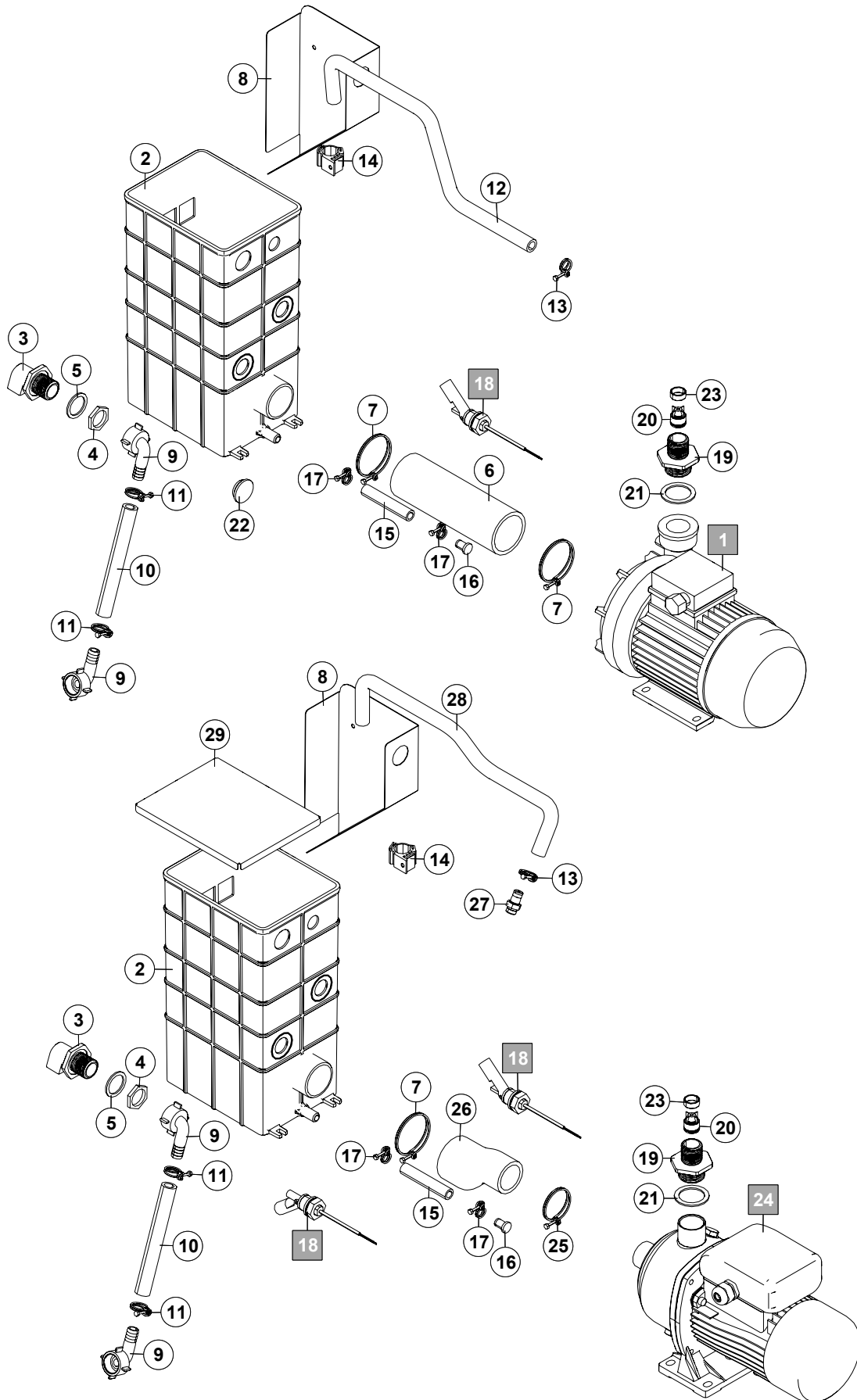
X = Length

Pos. no.	A	B [mm]			X [mm]	Remarks
		CS	CN	CP		
42		–	00-227931-000	–		
43		–	00-172986-034	–		
44		–	01-245857-003	–		
45		–	00-602402-000	–		
46		–	00-600805-000	–		
47		–	00-226994-009	–		
48		–	01-245571-002	–		
49		–	00-230081-002	–		
50		–	00-230079-001	–		
51		–	00-323945-031	–		
52		–	01-247089-001	–		





32. Filling system - Pump

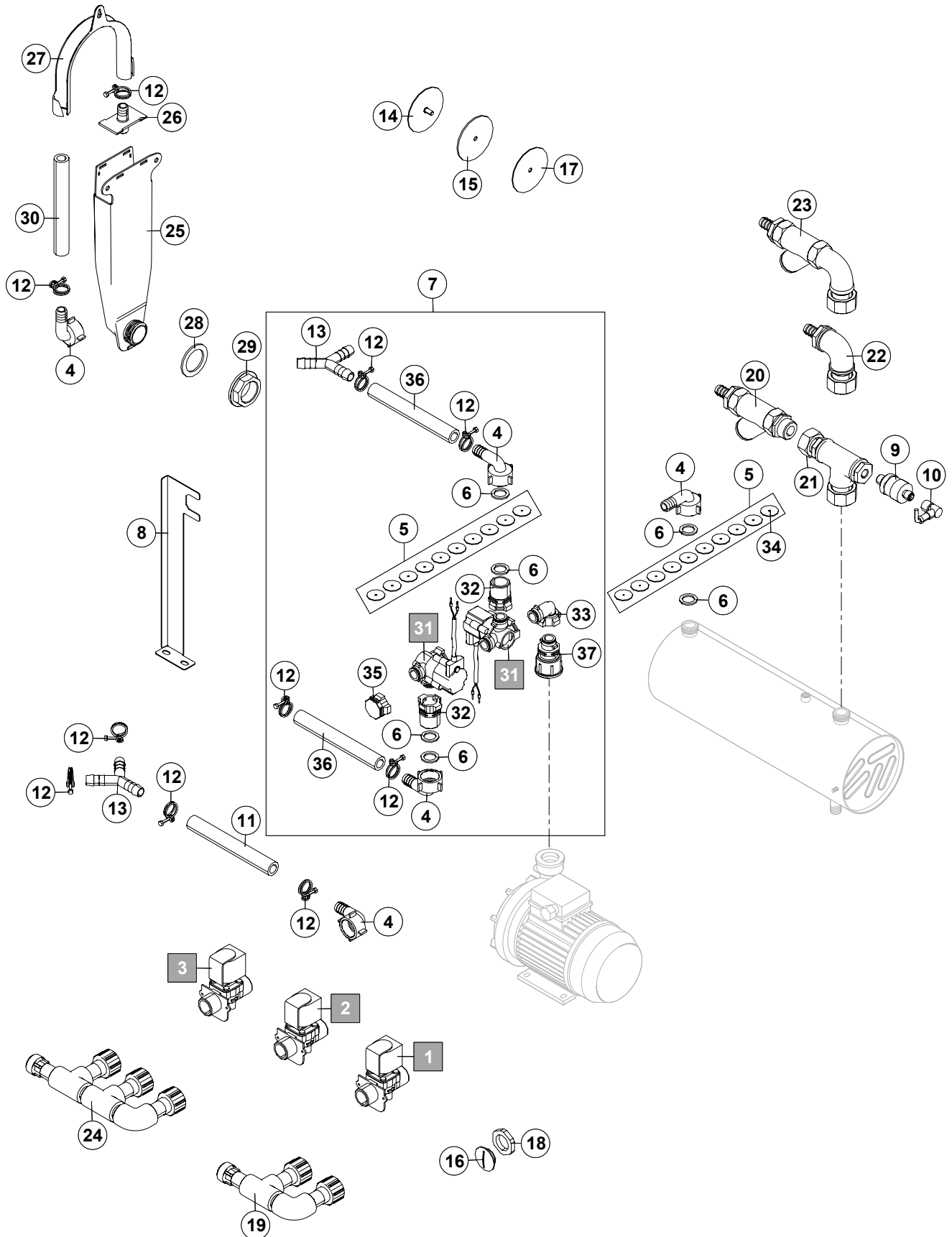


Legend:    A = Running direction                      B = Machine basic type                      X = Length

Pos. no.	A	B [mm]			X [mm]	Remarks
		CS	CN	CP		
1		00-897662-...	=	—		see wiring diagram
2		01-533140-001	=	=		
3		04-001109-001	=	=		
4		00-172739-002	=	=		
5		00-172986-041	=	=		
6		00-883142-006	=	=		
7		00-323945-064	=	=		
8		01-291662-003	=	=		
9		00-299240-001	=	=		
10		01-245571-014	=	=		
11		00-323945-022	=	=		
12		01-518215-001	=	=		
13		00-323945-018	=	=		
14		00-884375-001	=	=		
15		00-774080-001	=	=		
16		00-774512-001	=	=		
17		00-323945-015	=	=		
18		01-511207-001	=	=		
19		04-001264-001	=	=		
20		04-001265-001	=	=		
21		00-172986-048	=	=		
22		04-001268-001	=	=		
23		04-001306-001	=	=		
24		—	01-533388-006	=		
25		—	00-323945-049	=		
26		—	01-533387-001	=		
27		—	04-001062-001	=		
28		—	04-001063-001	=		
29		—	04-001161-001	=		

Filling system - Standard filling

33. Filling system - Standard filling

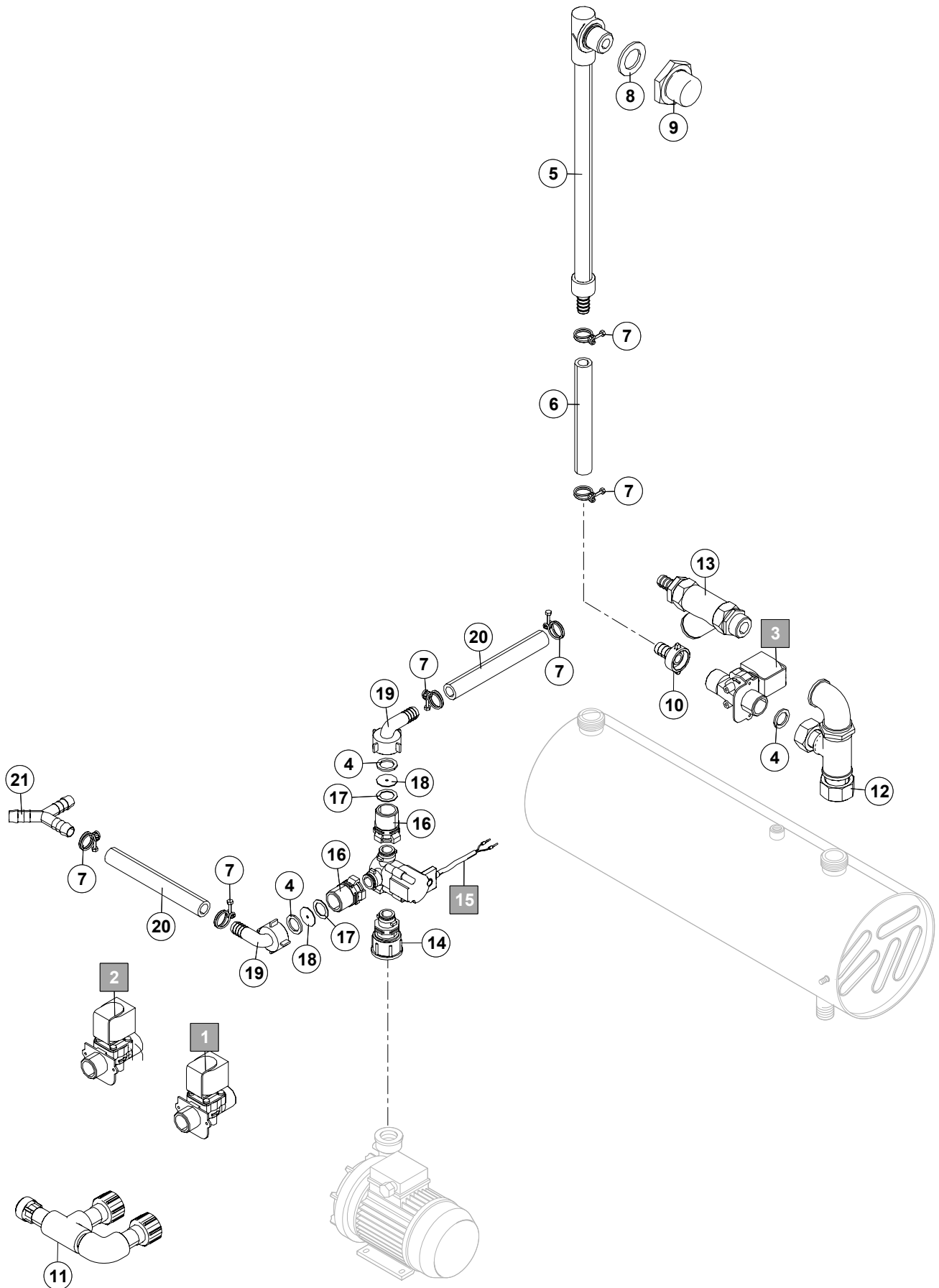


Legend: A = Running direction      B = Machine basic type      X = Length

Pos. no.	A	B [mm]			X [mm]	Remarks
		CS	CN	CP		
1		00-297808-012	00-297808-010	=		Cold water
2		00-297808-012	=	=		Warm water
3		00-734242-003	=	=		AUTOCLEAN
4		00-299240-001	=	=		
5		–	01-510400-001	=		Diaphragms kit Ø2,3-Ø3,0
		01-510400-002	=	=		Diaphragms kit Ø2,7-Ø3,4
		–	01-510400-003	–		Diaphragms kit Ø1.5-Ø2.4
6		00-168611-009	=	=		
7		04-001291-001	=	=		
8		04-001286-001	=	=		
9		–	–	01-297200-001		
10		–	–	00-695674-013		
11		01-245571-002	=	=		L=2000 mm
12		00-323945-022	=	=		
13		00-174047-001	=	=		
14		00-869137-001	=	=		
15		00-168611-023	=	=		
16		00-695666-004	=	=		
17		00-696943-014	=	=		
18		00-695664-004	=	=		
19		00-775112-002	=	=		
20		–	–	01-243891-100		
21		–	–	01-296696-005		
22		01-296696-001	–	–		
23		–	01-296696-010	–		
24		–	00-775112-004	=		
25		01-518485-001	=	=		
26		04-001302-001	=	=		
27		00-883985-001	=	=		
28		00-172986-040	=	=		
29		04-001327-001	=	=		
30		01-245571-003	=	=		L=3000 mm
31		–	04-001065-001	–		
32		–	04-001067-001	–		
33		–	04-001263-001	–		
34		01-245857-018	=	=		
35		–	04-001276-001	–		
36		01-245571-004	=	=		L=4000 mm
37		–	04-001262-001	–		

Filling system - Filling via boiler

34. Filling system - Filling via boiler

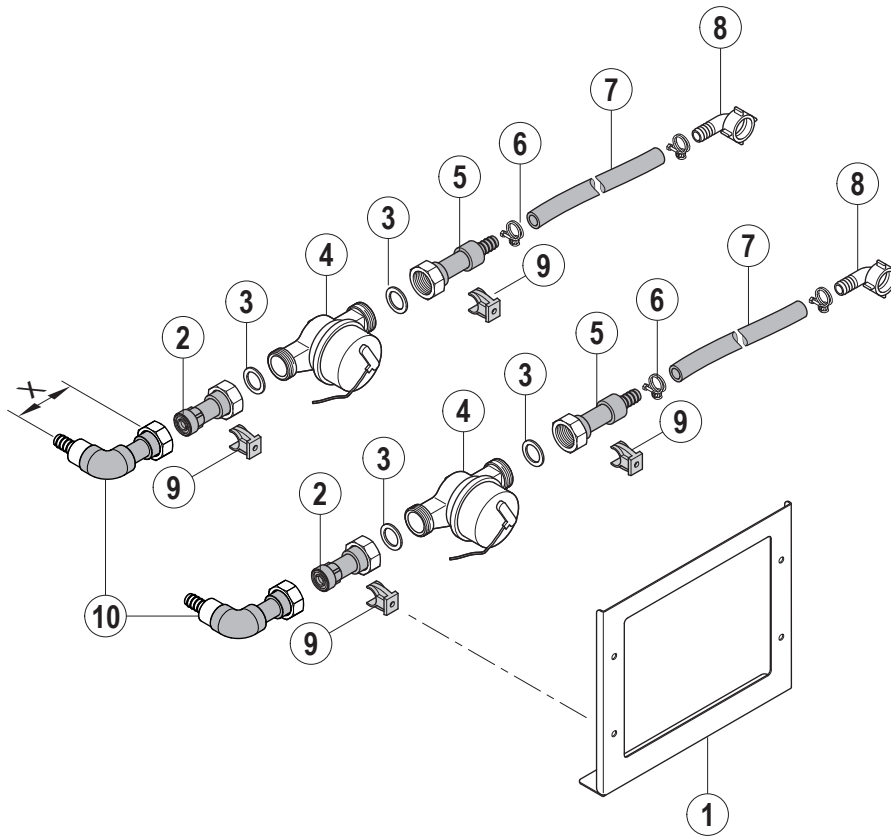


Legend:    A = Running direction                      B = Machine basic type                      X = Length

Pos. no.	A	B [mm]			X [mm]	Remarks
		CS	CN	CP		
1		–	00-297808-007	–		
2		–	00-297808-012	–		
3		–	00-297808-008	–		
4		–	00-168611-009	–		
5		–	00-897686-001	–		
6		–	01-245571-002	–		L=2000 mm
7		–	00-323945-022	–		
8		–	00-172986-027	–		
9		–	00-774670-001	–		
10		–	00-302201-001	–		
11		–	00-775112-002	–		
12		–	01-296696-008	–		
13		–	01-243891-100	–		
14		–	04-001262-001	–		
15		–	04-001065-001	–		
16		–	04-001067-001	–		
17		–	00-172986-034	–		
18		–	01-245857-018	–		
19		–	00-299240-001	–		
20		–	01-245571-014	–		L=500 mm
21		–	00-174047-001	–		

Filling system - Water clock (Option)

35. Filling system - Water clock (Option)



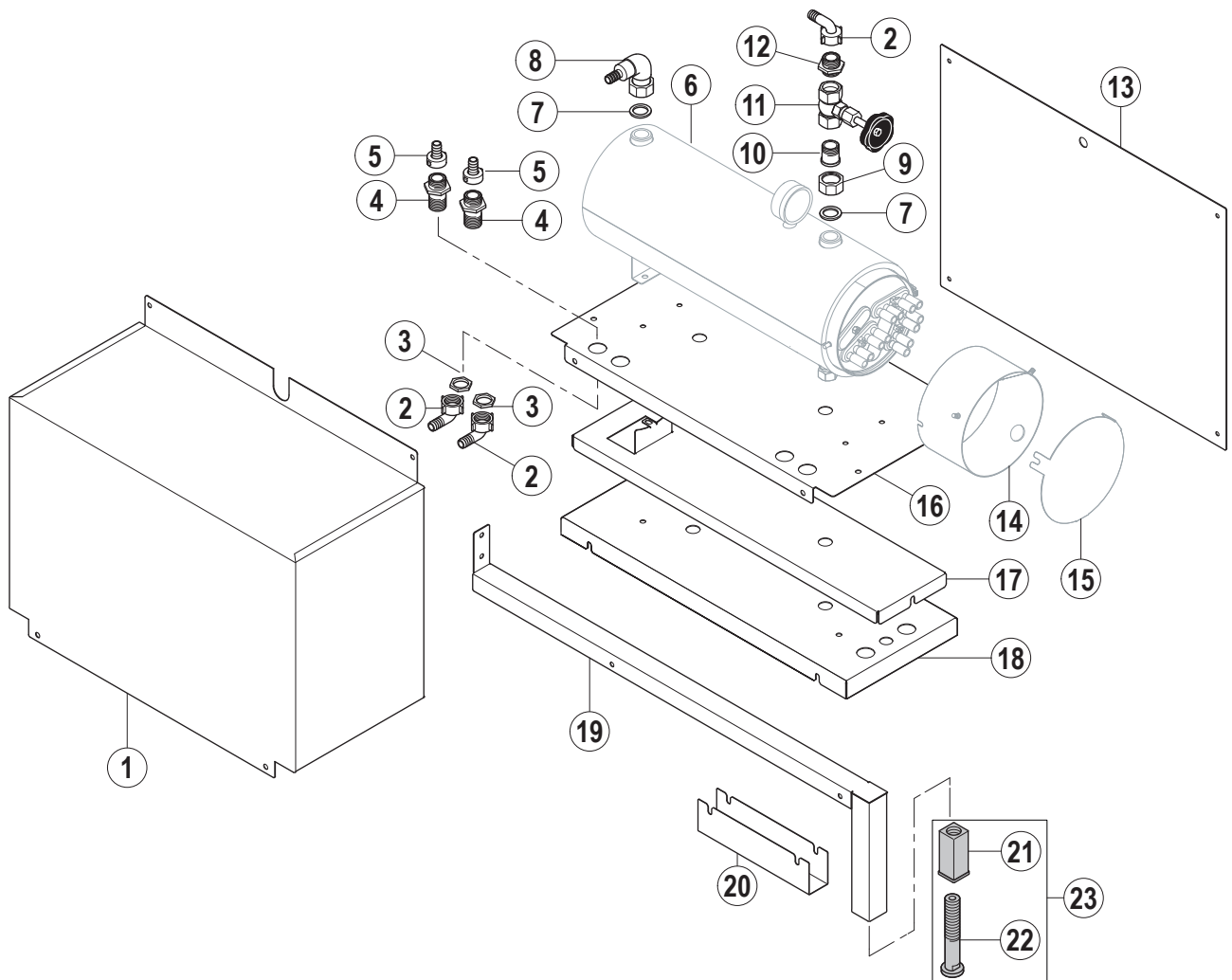


Legend:    A = Running direction                      B = Machine basic type                      X = Length

Pos. no.	A	B [mm]			X [mm]	Remarks
		CS	CN	CP		
1		01-291298-001	=	=		
2		01-291004-002	=	=		
3		00-168611-003	=	=		
4		01-244744-002	=	=		
5		01-291004-006	=	=		
6		00-323945-022	=	=		
7		01-245571-014	=	=		L=500 mm
8		00-299240-001	=	=		
9		00-228810-002	=	=		
10		01-291004-008	=	=	72	
		01-291004-009	=	=	87	

Filling system - Filling via separate fill boiler (Option)

36. Filling system - Filling via separate fill boiler (Option)

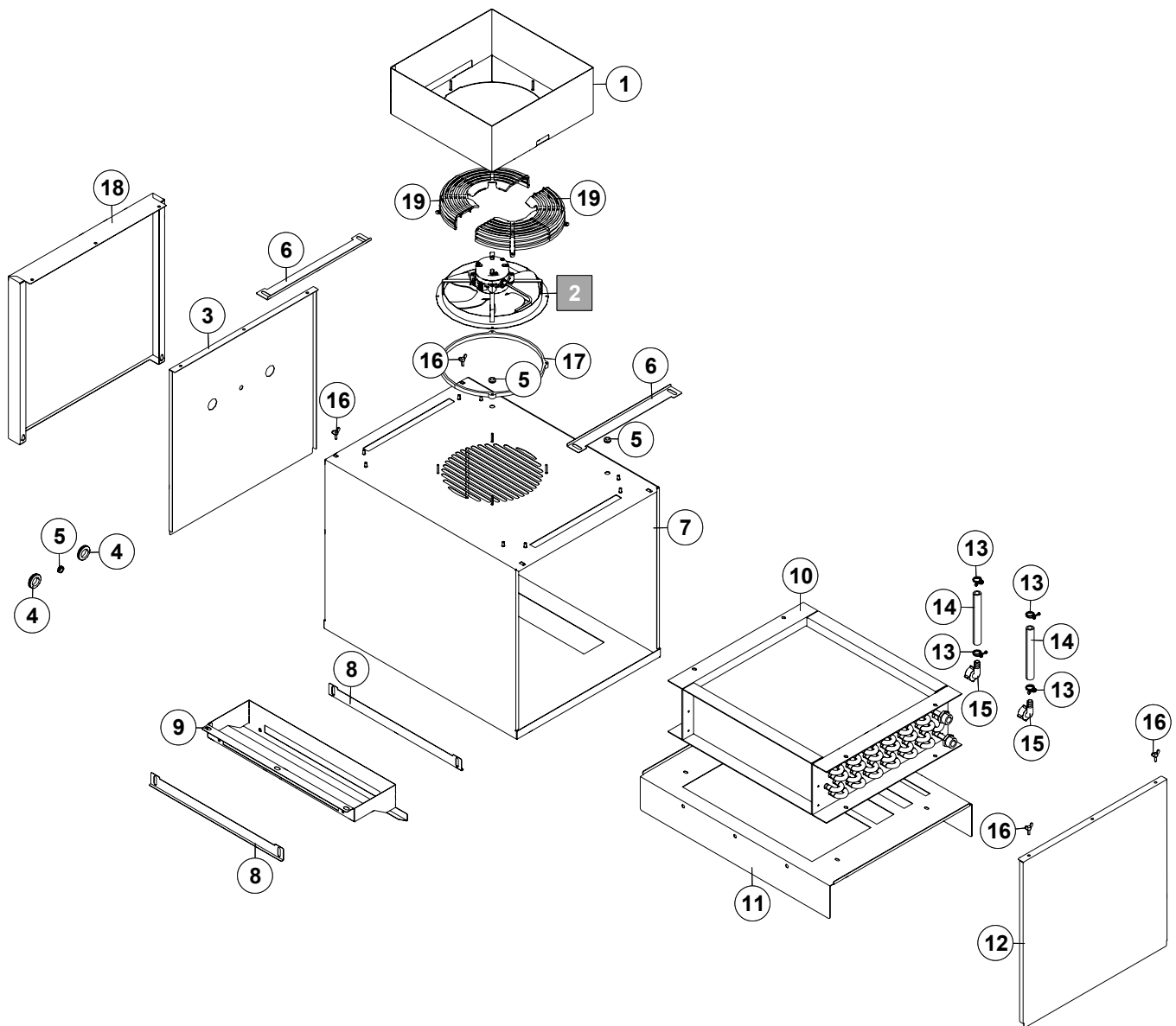


## Filling system - Filling via separate fill boiler (Option)

Legend: A = Running direction B = Machine basic type X = Length

Pos. no.	A	B [mm]			X [mm]	Remarks
		CS	CN	CP		
1		–	01-242110-001	=		only CDS drying
		–	01-242110-004	=		only CDC-C drying
		–	01-518280-001	=		only CDC -drying
2		–	01-510685-001	=		
3		–	00-172739-002	=		
4		–	01-245850-001	=		
5		–	00-302201-001	=		
6		–	04-001219-...	–		Details see chapter 25
7		–	00-168611-003	=		
8		–	01-296696-001	=		
9		–	00-600806-000	=		
10		–	00-602403-000	=		
11		–	01-241853-002	=		
12		–	00-227931-000	=		
13		–	01-242129-001	=		only CDS drying
		–	01-242129-002	=		only CDC-C drying
		–	01-242129-003	=		only CDC -drying
14		–	04-001175-001	=		
15		–	04-001177-001	=		
16		–	01-296271-001	=		only CDS drying
		–	01-296271-002	=		only CDC-C drying
17		–	01-245923-004	=		only DS drying
18		–	01-242120-004	=		only CDC -drying
19		–	01-296221-001	=		only CDC -drying
20		–	01-243861-001	=		only CDC -drying
21		–	00-325008-001	=		
22		–	00-325007-001	=		
23		–	ML102829	=		

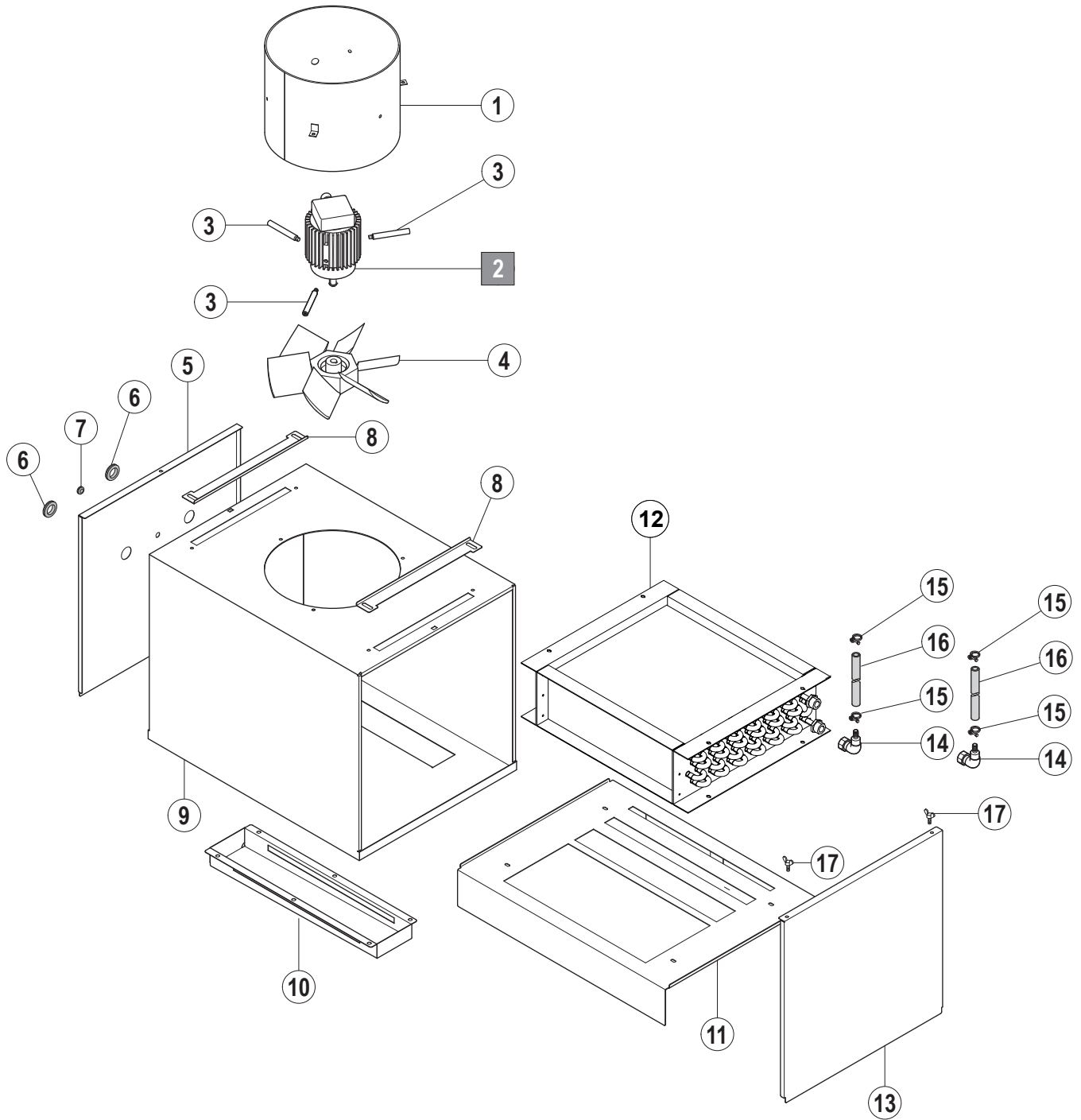
### 37. Heat recovery - C20



Legend:    A = Running direction                      B = Machine basic type                      X = Length

Pos. no.	A	B [mm]			X [mm]	Remarks
		CS	CN	CP		
1		–	04-001336-001	=		
2		–	01-537483-001	=		
3		–	01-245206-003	=		
4		–	00-227748-004	=		
5		–	00-227748-001	=		
6		–	01-291395-002	=		
7		–	04-001356-001	=		
8		–	01-291395-001	=		
9		–	01-291393-001	=		
10		–	04-001275-001	=		Copper
		–	04-001275-002	=		CrNi / SST / inox
11		–	01-245274-004	=		
12		–	01-245206-001	=		
13		–	00-323945-022	=		
14		–	01-245571-002	=		
15		–	00-299240-001	=		L=2000 mm
16		–	00-609851-000	=		
17		–	04-004007-002	=		
18		–	01-296449-001	=		
19		–	04-004038-001	=		

### 38. Heat recovery - C12

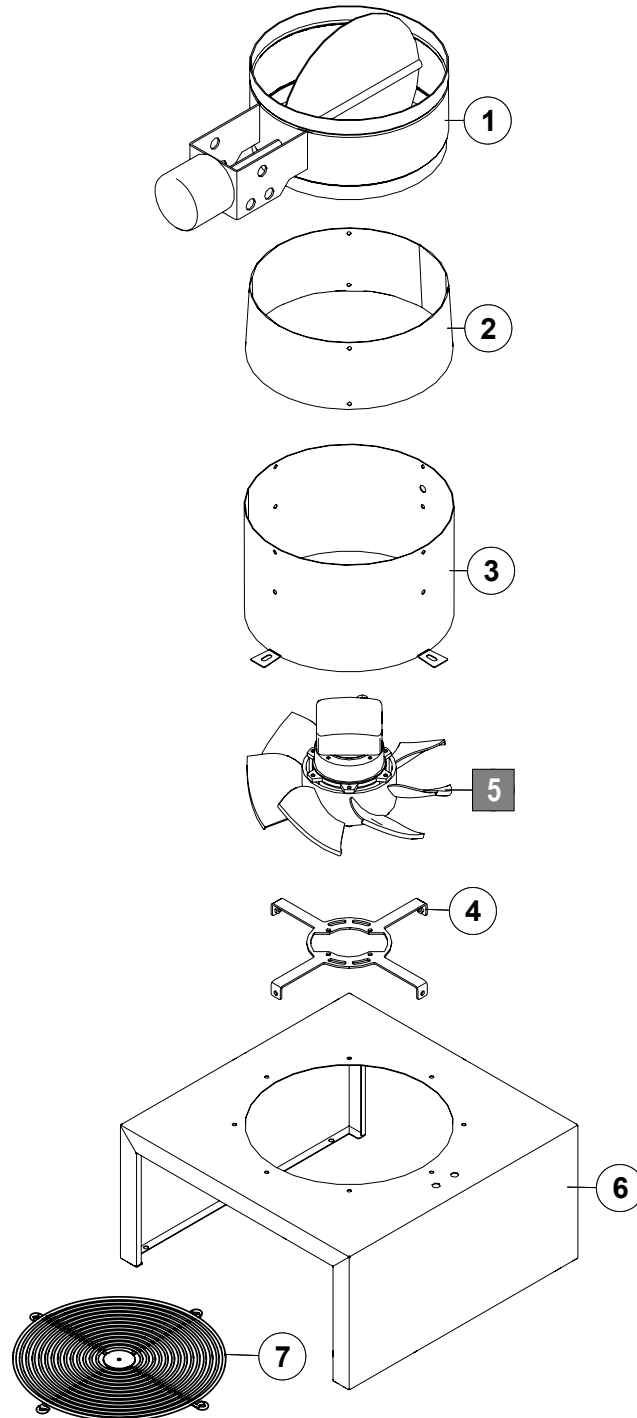


Legend: A = Running direction      B = Machine basic type      X = Length

Pos. no.	A	B [mm]			X [mm]	Remarks
		CS	CN	CP		
1		00-229438-001	–	–		
2		00-145075-...	–	–		see wiring diagram
3		00-693877-002	–	–		
4		00-038933-010	–	–		
5		01-245206-003	–	–		
6		00-227748-004	–	–		
7		00-227748-001	–	–		
8		01-245550-001	–	–		
9		04-001356-002	–	–		
10		01-291796-001	–	–		
11		01-245274-004	–	–		
12		04-001275-001	–	–		
13		01-245206-001	–	–		
14		00-299240-001	–	–		
15		00-323945-022	–	–		
16		01-245571-002	–	–		L=2000 mm
17		00-609851-000	–	–		

Exhaust air adapter (Option)

39. Exhaust air adapter (Option)

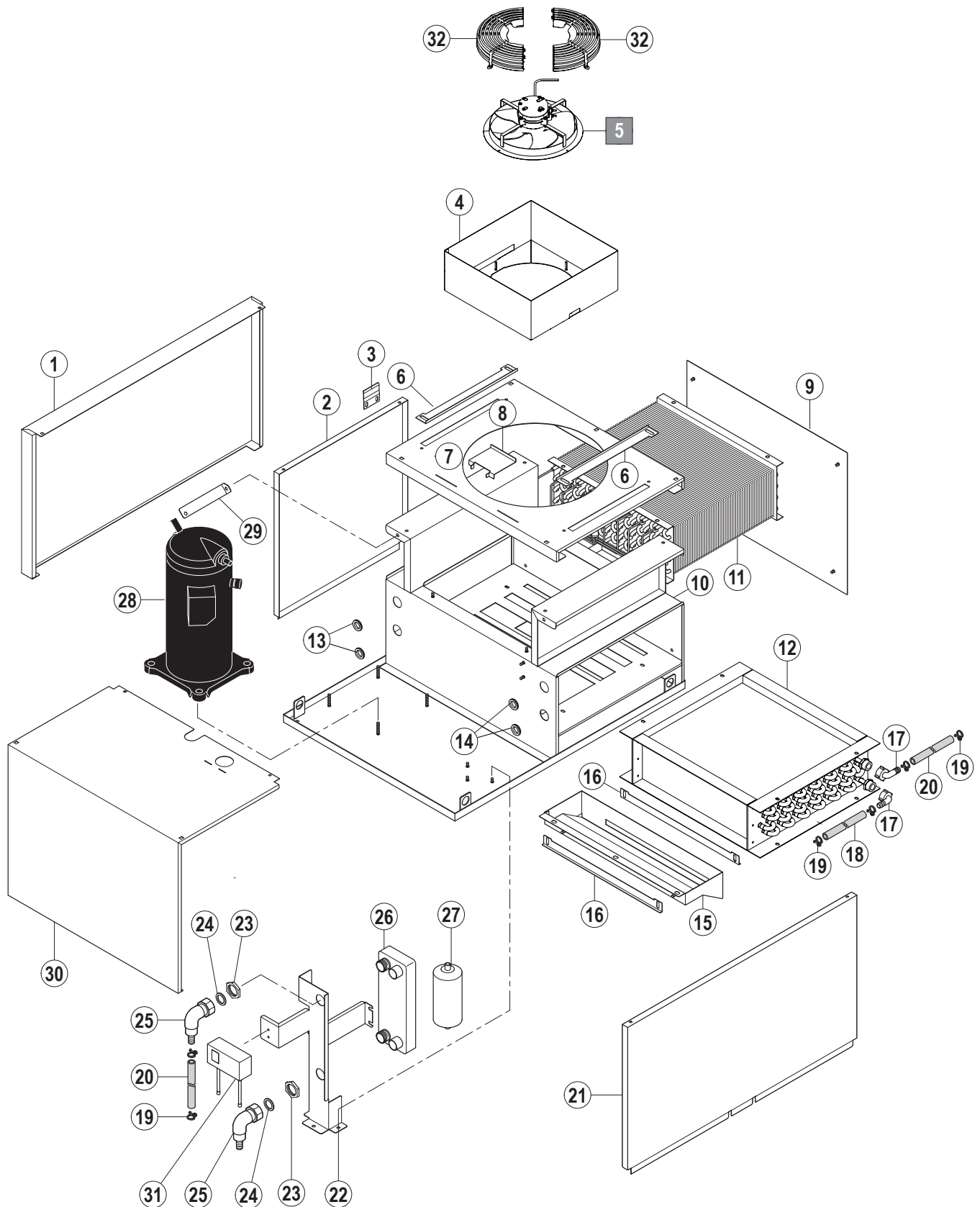




Legend:    A = Running direction                      B = Machine basic type                      X = Length

Pos. no.	A	B [mm]			X [mm]	Remarks
		CS	CN	CP		
1		–	00-296927-...	=		see wiring diagram
2		–	01-245752-001	=		
3		–	01-245964-001	=		
4		–	04-004017-001	=		
5		–	01-537206-...	=		see wiring diagram
6		–	04-001357-001	=		
7		–	00-896396-001	=		

### 40. Heat pump - CHP18

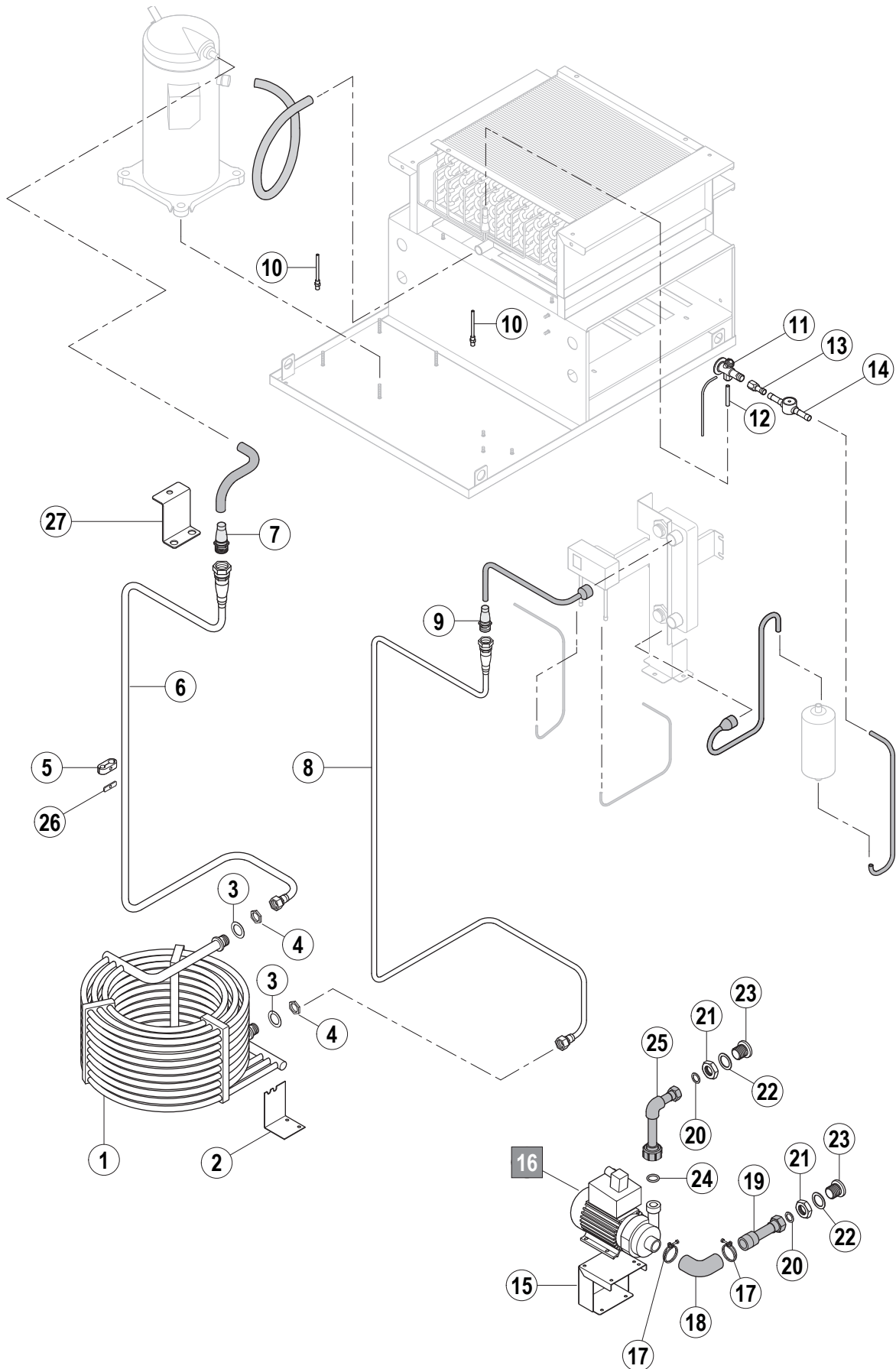


Legend: A = Running direction      B = Machine basic type      X = Length

Pos. no.	A	B [mm]			X [mm]	Remarks
		CS	CN	CP		
1		–	01-291604-001	=		
2		–	01-296226-001	=		
3		–	01-291605-001	=		
4		–	04-001336-001	=		
5		–	01-537483-001	=		
6		–	01-291395-002	=		
7		–	01-291589-004	=		
8		–	01-291837-001	=		
9		–	01-291593-001	=		
10		–	01-291588-001	=		
11		–	00-887639-001	=		
12		–	04-001275-001	=		Standard
		–	04-001275-002	=		CrNi / inox
13		–	00-785565-004	=		
14		–	00-227748-004	=		
15	L/R	–	01-291394-001	=		
	R/L	–	01-291394-002	=		
16		–	01-291395-001	=		
17		–	00-299240-001	=		
18		–	01-245571-014	=		L=500 mm
19		–	00-323945-022	=		
20		–	01-245571-002	=		L=2000 mm
21		–	01-245548-001	=		
22		–	01-245549-001	=		
23		–	00-172739-008	=		
24		–	00-168611-003	=		
25		–	01-245560-001	=		
26		–	00-323456-001	=		
27		–	00-323443-000	=		
28		–	01-296742-...	=		see wiring diagram
29		–	01-245722-001	=		
30		–	01-291591-001	=		
31		–	01-296704-001	=		
32		–	04-004038-001	=		

Refrigeration circuit - CHP18

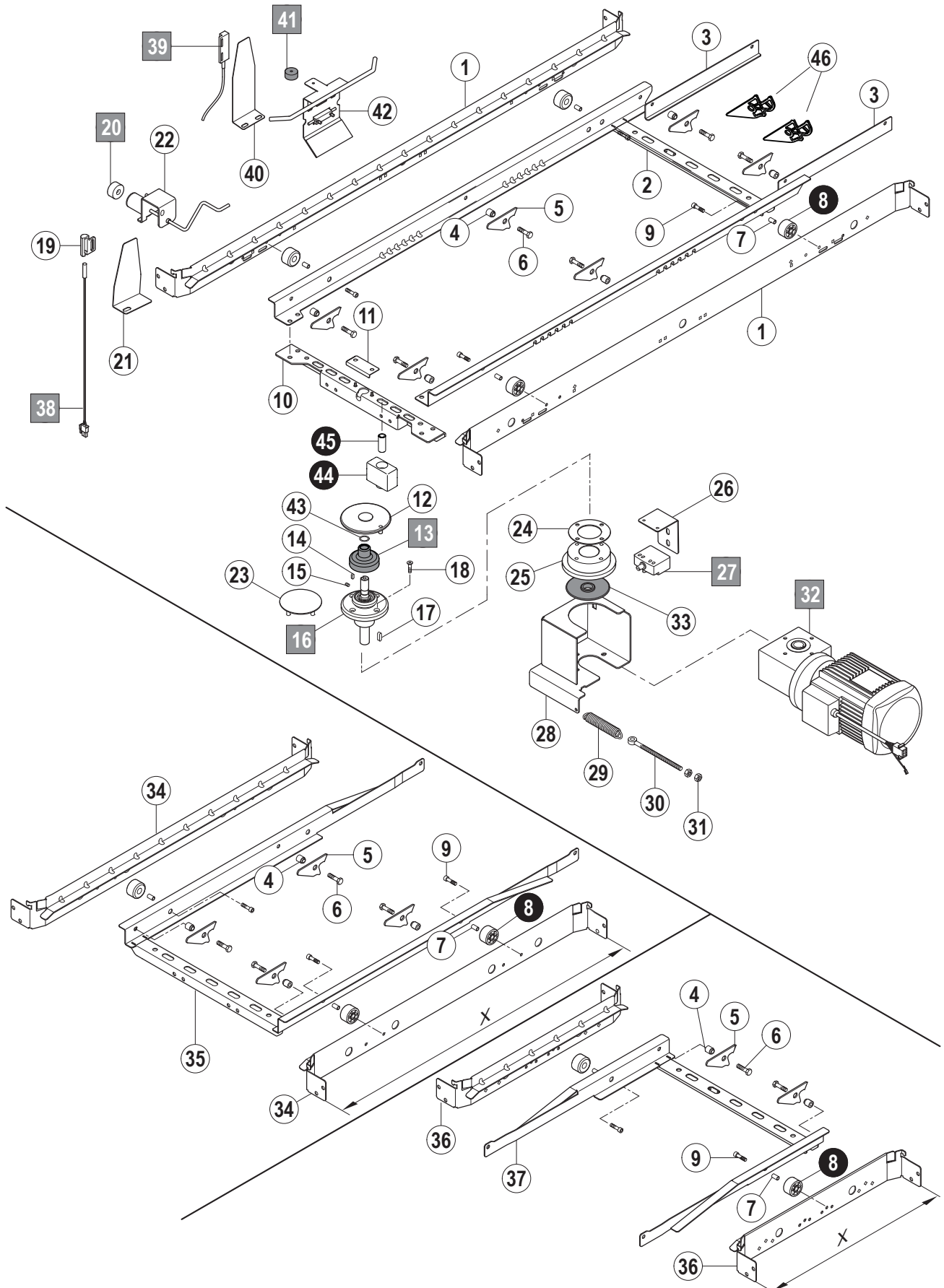
41. Refrigeration circuit - CHP18



Legend:    A = Running direction                      B = Machine basic type                      X = Length

Pos. no.	A	B [mm]			X [mm]	Remarks
		CS	CN	CP		
1		–	01-291581-001	=		
2		–	01-296021-001	=		
3		–	00-696936-018	=		
4		–	00-172739-013	=		
5		–	00-897282-001	=		
6	L/R	–	01-291598-001	=		
	R/L	–	01-291606-001	=		
7		–	00-896909-001	=		
8	L/R	–	01-291599-001	=		
	R/L	–	01-291607-001	=		
9		–	00-775080-001	=		
10		–	00-323447-000	=		
11		–	00-775082-001	=		
12		–	01-296742-...	=		see wiring diagram
13		–	00-323439-002	=		
14		–	00-323444-000	=		
15		–	01-296093-002	=		
16		–	00-781237-...	=		
17		–	00-323945-043	=		
18		–	00-781336-004	=		
19		–	01-291664-001	=		
20		–	00-168611-009	=		
21		–	00-603061-000	=		
22		–	00-300084-007	=		
23		–	00-774953-001	=		
24		–	00-067500-072	=		
25	L/R	–	01-291665-001	=		
	R/L	–	01-291665-002	=		
26		–	00-897285-001	=		
27		–	01-296658-001	=		

### 42. Transport system



Legend: A = Running direction B = Machine basic type X = Length

Pos. no.	A	B [mm]			X [mm]	Remarks
		CS	CN	CP		
1		01-291368-013	=	=		
2		01-291375-001	=	=		
3		–	01-291881-001	=		SN-module
4		01-243284-001	=	=		
5		01-291371-001	=	=		
6		00-602579-000	=	=		
7		01-291535-001	=	=		
8		01-291534-001	=	=		
9		00-603026-000	=	=		
10		01-291772-001	=	=		
11		00-868312-001	=	=		
12		00-781117-001	=	=		
13		01-296445-001	=	=		
14		00-600681-000	=	=		
15		00-600682-000	=	=		
16		00-781064-004	=	=		
17		00-600683-000	=	=		
18		00-609794-000	=	=		
19		–	00-883838-001	=		
20		–	00-774714-001	=		
21		–	01-291513-001	=		
	L/R	–	01-291774-001	=		E-module
	R/L	–	01-291774-002	=		E-module
22	L/R	–	01-242189-001	=		
	R/L	–	01-242189-002	=		
23		–	00-899210-001	=		SN-module
24		00-781007-001	=	=		
25		01-291529-001	=	=		
26		01-291387-001	=	=		
27		00-785286-002	=	=		
28	L/R	01-291888-001	=	=		
	R/L	01-291888-002	=	=		
29		00-774828-002	=	=		
30		00-602920-000	=	=		
31		00-602492-000	=	=		
32		01-291291-...	=	=		see wiring diagram
33		01-241802-001	=	=		
34		01-291368-004	=	=	500	E-module
		–	01-291368-003	=	650	L-module
		–	01-291368-014	=	900	S-module
35		01-291375-004	=	=	500	E-module
		–	01-291375-003	=	650	L-module
		–	01-291375-002	=	900	S-module

Legend: A = Running direction B = Machine basic type X = Length

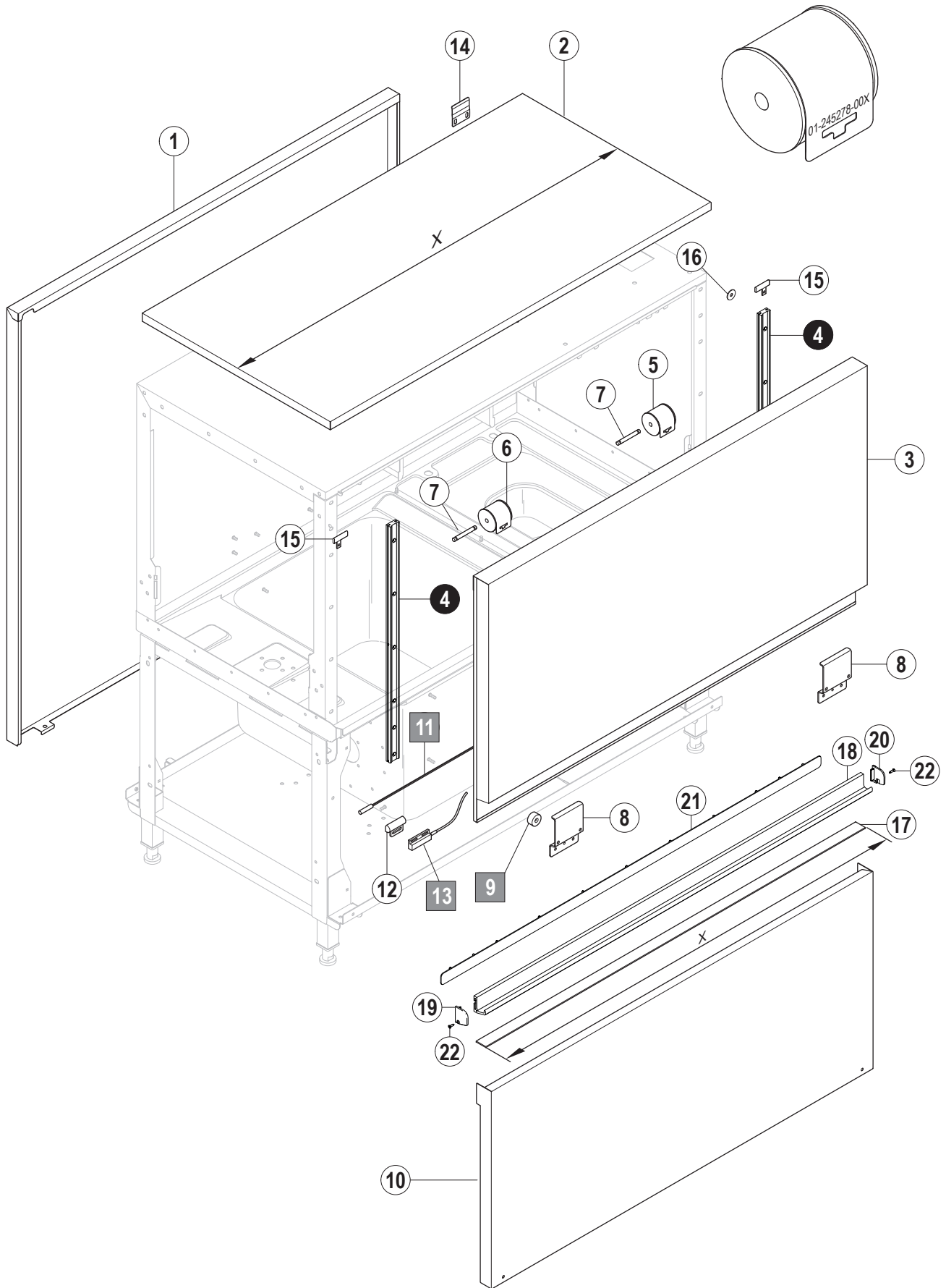
Pos. no.	A	B [mm]			X [mm]	Remarks
		CS	CN	CP		
36		–	01-291368-005	=	850	CDS / DS
		–	01-291368-011	=	600	ND
		01-291368-003	–	–	650	D-drying
		–	01-291368-009	=	650	Rinse module
		–	01-291368-004	–	500	Demineralised water rinse
37		–	01-291375-005	=	850	CDS / DS
		–	01-291375-011	=	600	ND
		01-291375-010	–	–	650	D-drying
		–	01-291375-008	=	650	Rinse module
		–	01-291375-004	–	500	Demineralised water rinse
38		–	01-240288-001	=		
39		00-229517-000	–	–		
40		01-291804-001	–	–		
41		00-774714-001	–	–		
42		01-291802-001	–	–		
43		00-276903-007	=	=		
44		01-296150-001	=	=		
45		01-296149-001	=	=		
46		01-510474-001	–	–		Only CS with autotimer, without drying





Sliding doors and covering

43. Sliding doors and covering



Legend: A = Running direction      B = Machine basic type      X = Length

Pos. no.	A	B [mm]			X [mm]	Remarks
		CS	CN	CP		
1		01-291317-005	01-291317-001	–	1350	without insulation
		–	01-291317-002	–	900	without insulation
		–	01-291317-003	–	650	without insulation
		01-291317-006	01-291317-004	–	500	without insulation
		–	01-291317-008	=	300	without insulation
		–	01-291711-001	=	1350	with insulation
		–	01-291711-002	=	900	with insulation
		–	01-291711-003	=	650	with insulation
2		01-291397-010	01-291397-001	–	850	without insulation
		01-291397-002	=	–	900	without insulation
		–	01-291397-003	–	650	without insulation
		01-291397-004	=	–	500	without insulation (E-module)
		–	01-291397-015	–	500	without insulation (Demi-module, E-ASR)
		–	01-291397-005	–	450	without insulation
		01-291397-006	=	–	1350	without insulation
		–	01-291397-007	–	300	without insulation
		–	01-291398-001	=	850	with insulation
		–	01-291398-002	=	900	with insulation
		–	01-291398-003	=	650	with insulation
		–	01-291398-004	=	500	with insulation (E-module)
		–	01-291398-013	–	500	with insulation (Demi-module, E-ASR)
		–	01-291398-005	=	450	with insulation
		–	01-291398-006	=	1350	with insulation
3		01-291320-005	–	–	1350	without insulation
		01-291321-001	=	=	1350	with insulation
		–	01-291321-002	=	900	with insulation
		–	01-291321-003	=	650	with insulation
		–	01-291321-004	=	500	with insulation
4		04-001039-001	=	=		
5		01-245278-004	–	–	1350	Door without insulation
		01-245278-007	=	=	1350	Door with insulation
		–	01-245278-005	=	900	Door with insulation
		–	01-245278-003	=	650	Door with insulation
		–	01-245278-002	=	500	Door with insulation
6		01-245278-003	–	–	1350	Door without insulation
		01-245278-006	=	=	1350	Door with insulation
		–	01-245278-005	=	900	Door with insulation
		–	01-245278-003	=	650	Door with insulation
		–	01-245278-002	=	500	Door with insulation
7		01-245281-001	=	=		

## Sliding doors and covering

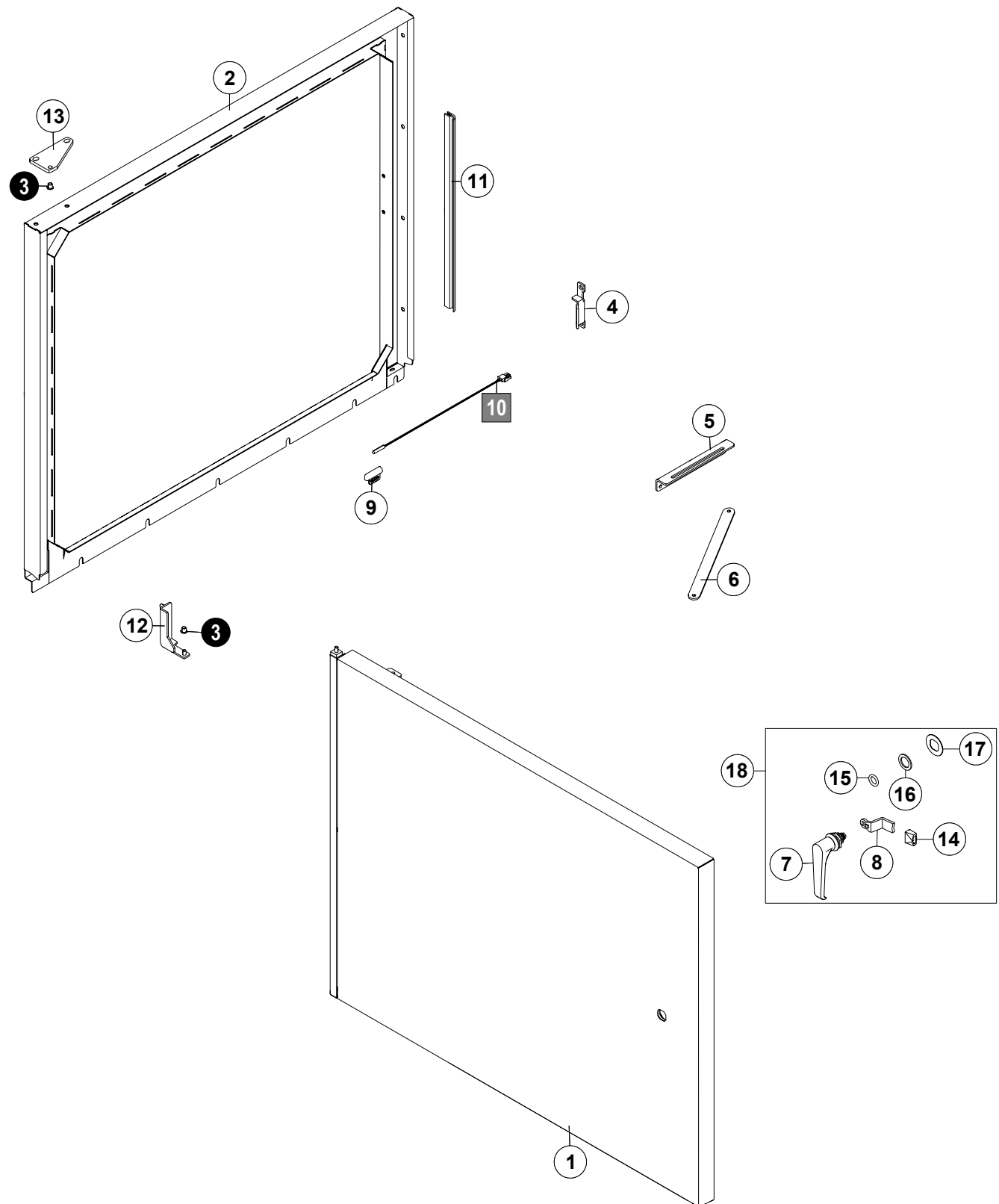
Legend: A = Running direction B = Machine basic type X = Length

Pos. no.	A	B [mm]			X [mm]	Remarks
		CS	CN	CP		
8		01-245127-001	=	=	1350	
		–	01-245127-001	=	900	
		–	01-245127-003	=	650	
		–	01-245279-001	=	500	
9		00-774714-001	=	=		
10	L/R	01-291787-001	–	–	1350	
	R/L	01-291787-002	–	–	1350	
		–	01-291787-004	–	1350	without pre-washing
	L/R	–	01-291787-005	01-291407-010	1350	with pre-washing
	R/L	–	01-291787-006	01-291407-010	1350	with pre-washing
	L/R	–	01-291407-004	=	900	S-module
	R/L	–	01-291407-005	=	900	S-module
		–	01-291407-011	=	900	A-module
	L/R	–	01-291407-006		650	L-module
	R/L	–	01-291407-007		650	L-module
		–	01-291407-008		650	Rinse module
	L/R	–	01-291407-009		500	Demi-module
	R/L	–	01-291407-015		500	Demi-module
	–	01-291407-016		500	Demi-module (Only E2 machines)	
11		–	01-240288-001	–		
12		–	00-883838-001	–		
13		00-229517-000	–	–		
14		01-291605-001	=	=		
15		01-291426-003	=	=		
16		00-696936-066	=	=		
17		01-296451-001	=	=	1345	
		–	01-296451-002	=	895	
		–	01-296451-003	=	645	
18		–	01-537400-003	=	500	blue
		–	01-537400-004	=	650	blue
		–	01-537400-005	=	900	blue
		01-537400-007	=	=	1350	blue
		–	–	01-537400-017	500	black
		–	–	01-537400-018	650	black
		–	–	01-537400-019	900	black
	–	–	01-537400-021	1350	black	
19		01-537401-001	=	–		blue
		–	–	01-537401-003		black
20		01-537401-002	=	–		blue
		–	–	01-537401-004		black

Legend:    A = Running direction                      B = Machine basic type                      X = Length

Pos. no.	A	B [mm]			X [mm]	Remarks
		CS	CN	CP		
21		–	01-537409-001	=	500	
		–	01-537409-008	=	650	
		–	01-537409-003	=	900	
		01-537409-005	=	=	1350	
22		00-603151-000	=	=		

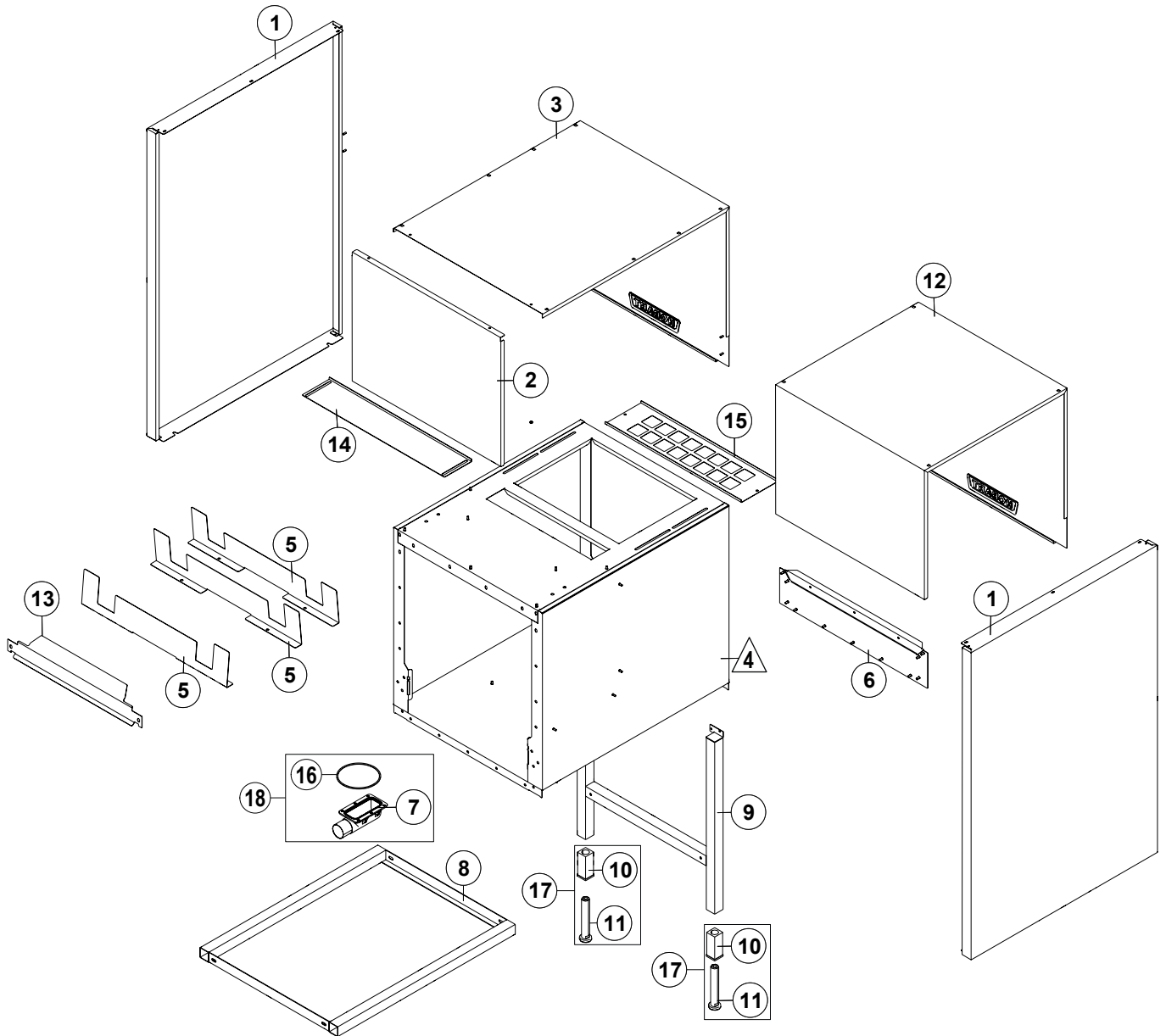
### 44. Double-wing doors



Legend: A = Running direction B = Machine basic type X = Length

Pos. no.	A	B [mm]			X [mm]	Remarks
		CS	CN	CP		
1		–	04-004203-008	=	500	E-module
		–	04-004203-009	=	650	L-module
		–	04-004203-010	=	900	S-modules, AR-module
		–	04-004203-011	=	450	AR-module
2		–	04-004168-010	=	500	E-module
		–	04-004168-011	=	650	L-module
		–	04-004168-012	=	900	S-modules
	L/R	–	04-004168-013	=	900	AR-module
	R/L	–	04-004168-014	=	900	AR-module
	L/R	–	04-004168-015	=	450	AR-module
	R/L	–	04-004168-016	=	450	AR-module
3		–	00-298963-014	=		
4		–	04-004494-001	=		
5		–	04-004177-001	=		
6		–	04-004179-001	=		
7		–	01-536142-002	=		
8		–	04-004337-001	=		
9		–	00-883838-001	=		
10		–	01-240288-001	=		
11		–	01-243873-017	=	450	
		–	01-243873-019	=	500	
		–	01-243873-020	=	650	
		–	01-243873-022	=	900	
12		–	04-004175-001	=		
13		–	00-784243-001	=		
14		–	04-009516-001	=		
15		–	00-276903-079	=		
16		–	00-172986-038	=		
17		–	04-001437-001	=		
18		–	04-001439-001	=		

45. Drying - CDS/D

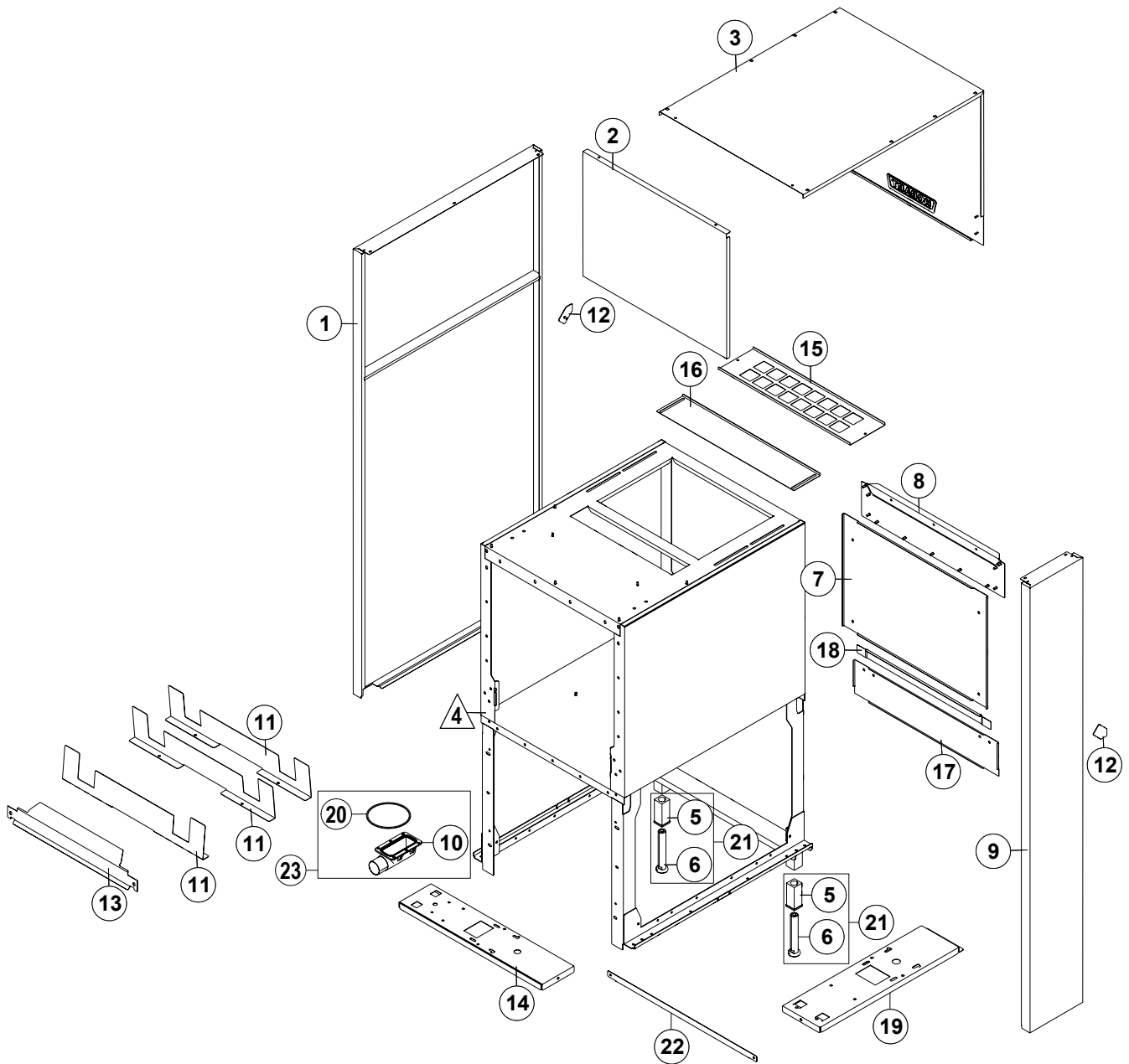




Legend: A = Running direction B = Machine basic type X = Length

Pos. no.	A	B [mm]			X [mm]	Remarks
		CS	CN	CP		
1		01-291462-002	01-291462-001	–		without insulation
		01-291828-002	01-291828-001	–		with insulation
2		–	04-001092-001	–		
3		–	04-001112-001	–		
4		04-001102-003	04-001102-001	–		
5		01-291713-001	=	–		
6		01-291429-002	=	–		
7		00-325529-001	=	–		
8		00-378747-377	00-378747-186	–		
9		00-734997-001	=	–		
10		00-325008-001	=	–		
11		00-325007-001	=	–		
12		01-291453-002	–	–		
13		01-291461-001	=	–		
14		01-291274-002	=	–		
15		–	04-001171-001	–		
16		–	00-276903-035	–		
17		–	ML102829	–		
18		–	ML102834	–		

46. Drying - DS

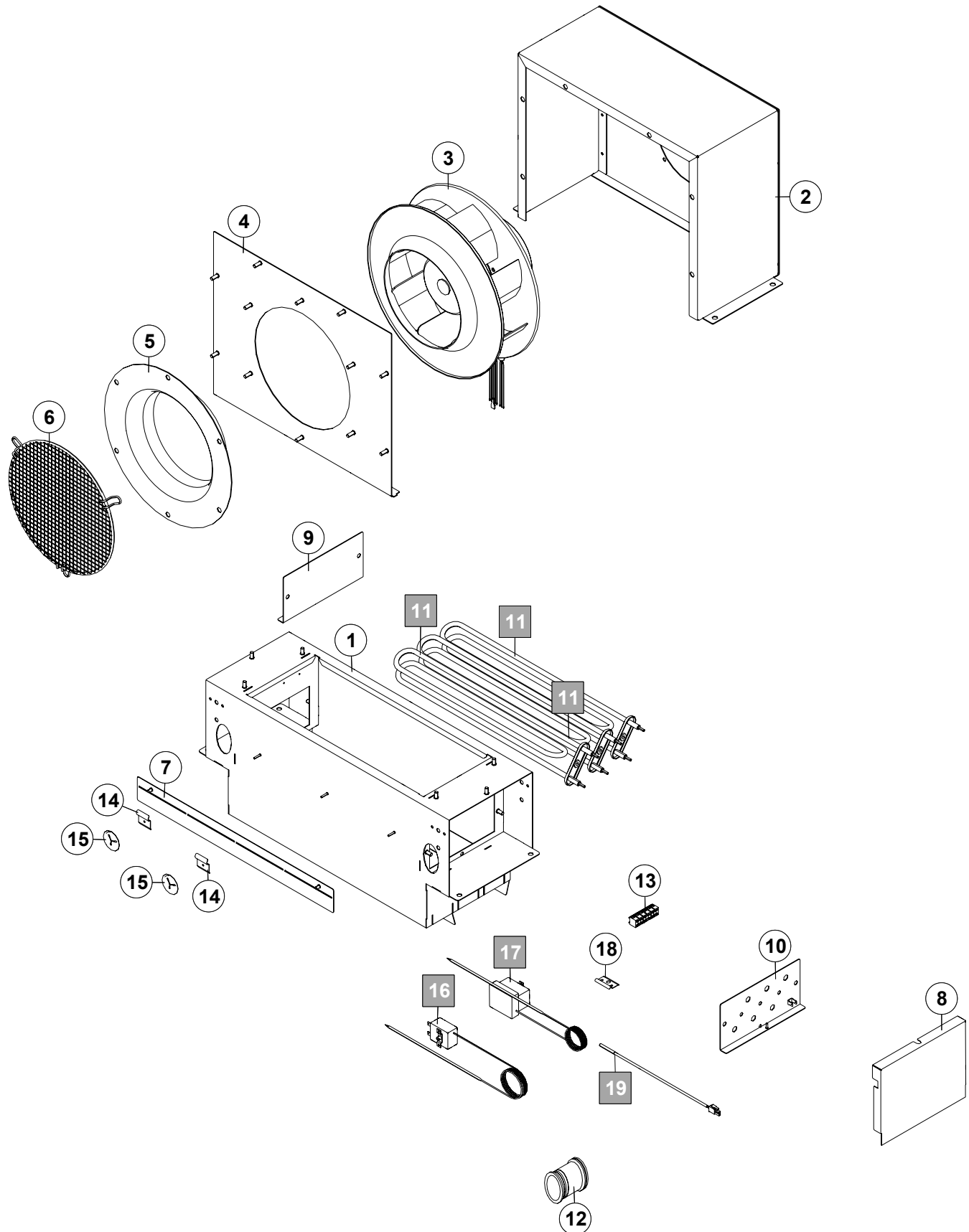


Legend: A = Running direction B = Machine basic type X = Length

Pos. no.	A	B [mm]			X [mm]	Remarks
		CS	CN	CP		
1		–	01-291467-001	=		without insulation
		–	01-291829-001	=		with insulation
2		–	04-001092-001	=		
3		–	04-001112-001	=		
		–	04-001045-003	=		with 2. drying
4		–	04-001101-001	=		
5		–	00-325008-001	=		
6		–	00-325007-001	=		
7		–	01-291419-014	=		
8		–	01-291429-002	=		
9		–	01-291467-004	=		without insulation
		–	01-291829-003	=		with insulation
10		–	00-325529-001	=		
11		–	01-291713-001	=		
12		–	01-296621-001	=		
13		–	01-291461-001	=		
14		–	04-001111-001	=		
15		–	04-001171-001	=		
16		–	01-291274-002	=		
17		–	01-296552-001	=		
18		–	01-291432-001	=		
19		–	04-001111-003	=		
20		–	00-276903-035	=		
21		–	ML102829	=		
22		–	04-001225-001	=		
23		–	ML102834	=		

Drying - Heating electrical heated

47. Drying - Heating electrical heated

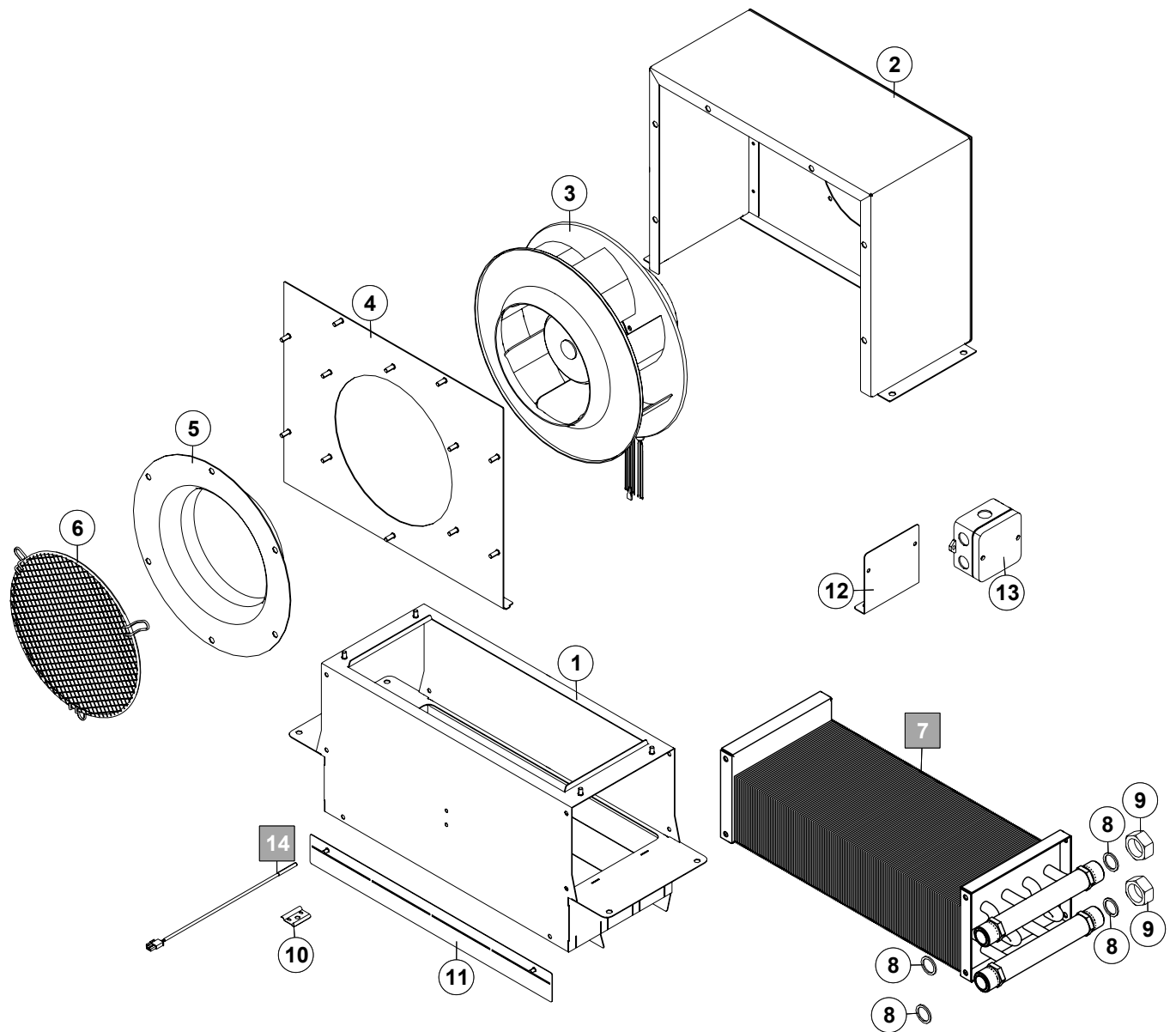


Legend:    A = Running direction                      B = Machine basic type                      X = Length

Pos. no.	A	B [mm]			X [mm]	Remarks
		CS	CN	CP		
1		04-001149-004	=	=		
2		04-001316-001	=	=		
3		04-001269-001	=	=		
4		04-001317-001	=	=		
5		04-001166-002	=	=		
6		04-001281-001	=	=		
7		01-296197-001	=	=		
8		04-004236-002	=	=		
9		01-245214-004	=	=		
10		01-245554-002	=	=		
11		00-229189-...	=	=		No. see flange
12		00-325186-001	=	=		
13		00-785092-001	=	=		
14		01-295584-001	=	=		
15		00-379608-001	=	=		
16		00-226505-002	--	--		
17		00-378791-000	=	=		
18		00-775489-001	=	=		
19		–	00-775612-001	–		Infotronic
		–	01-533245-001	=		Protronic

Drying - Heating steam heated

48. Drying - Heating steam heated

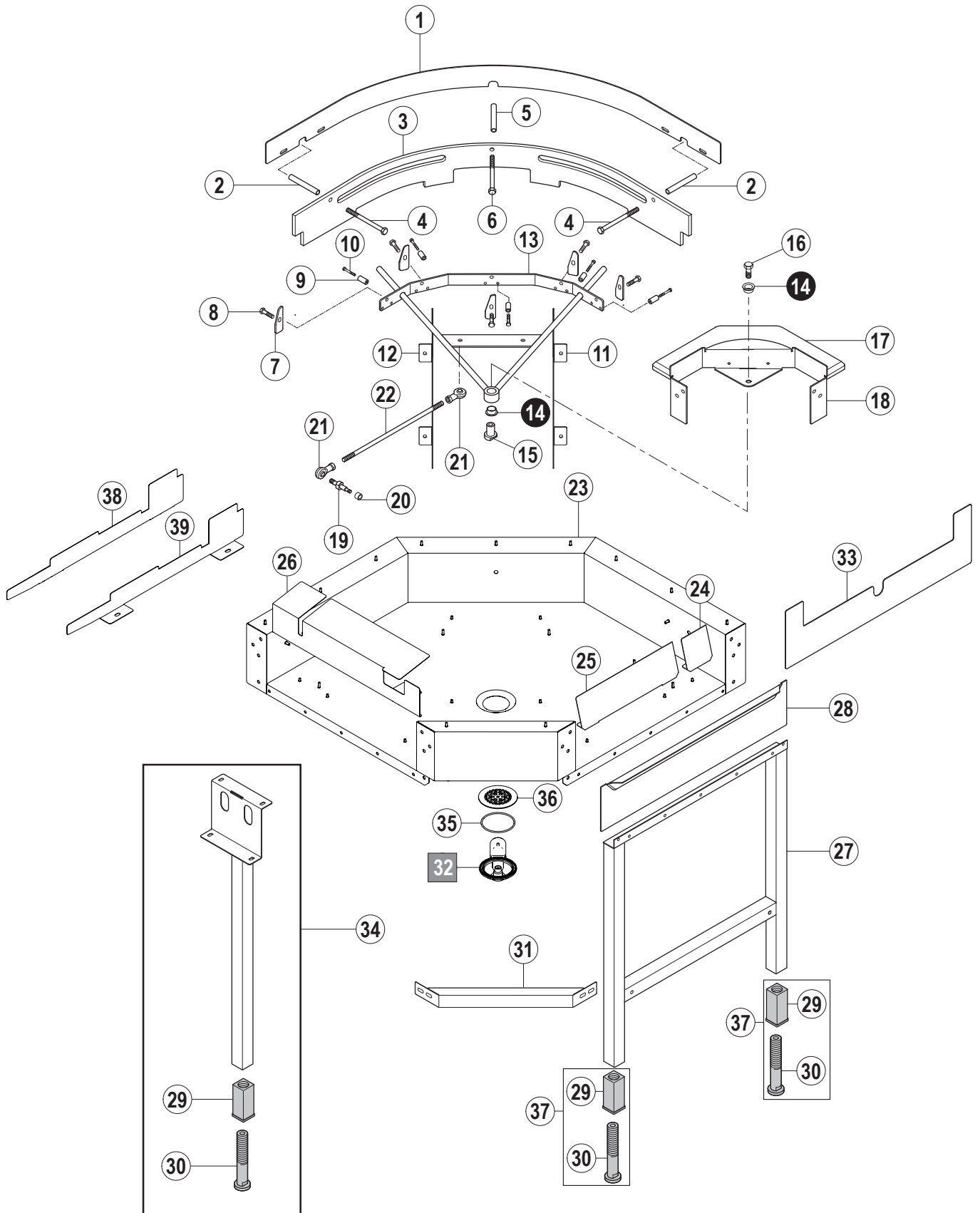


Legend: A = Running direction      B = Machine basic type      X = Length

Pos. no.	A	B [mm]			X [mm]	Remarks
		CS	CN	CP		
1		–	–	04-001312-001		
2		–	–	04-001316-001		
3		–	–	04-001269-001		
4		–	–	04-001317-001		
5		–	–	04-001166-002		
6		–	–	04-001281-001		
7		–	–	01-291895-001		
8		–	–	00-302574-014		
9		–	–	01-245605-001		
10		–	–	00-775489-001		
11		–	–	01-296197-001		
12		–	–	01-291974-002		
13		–	–	04-004271-001		
14		–	–	00-775612-001		Infotronic
		–	–	01-533245-001		Protronic

Transport curve - CTC/CDC 91/181

49. Transport curve - CTC/CDC 91/181



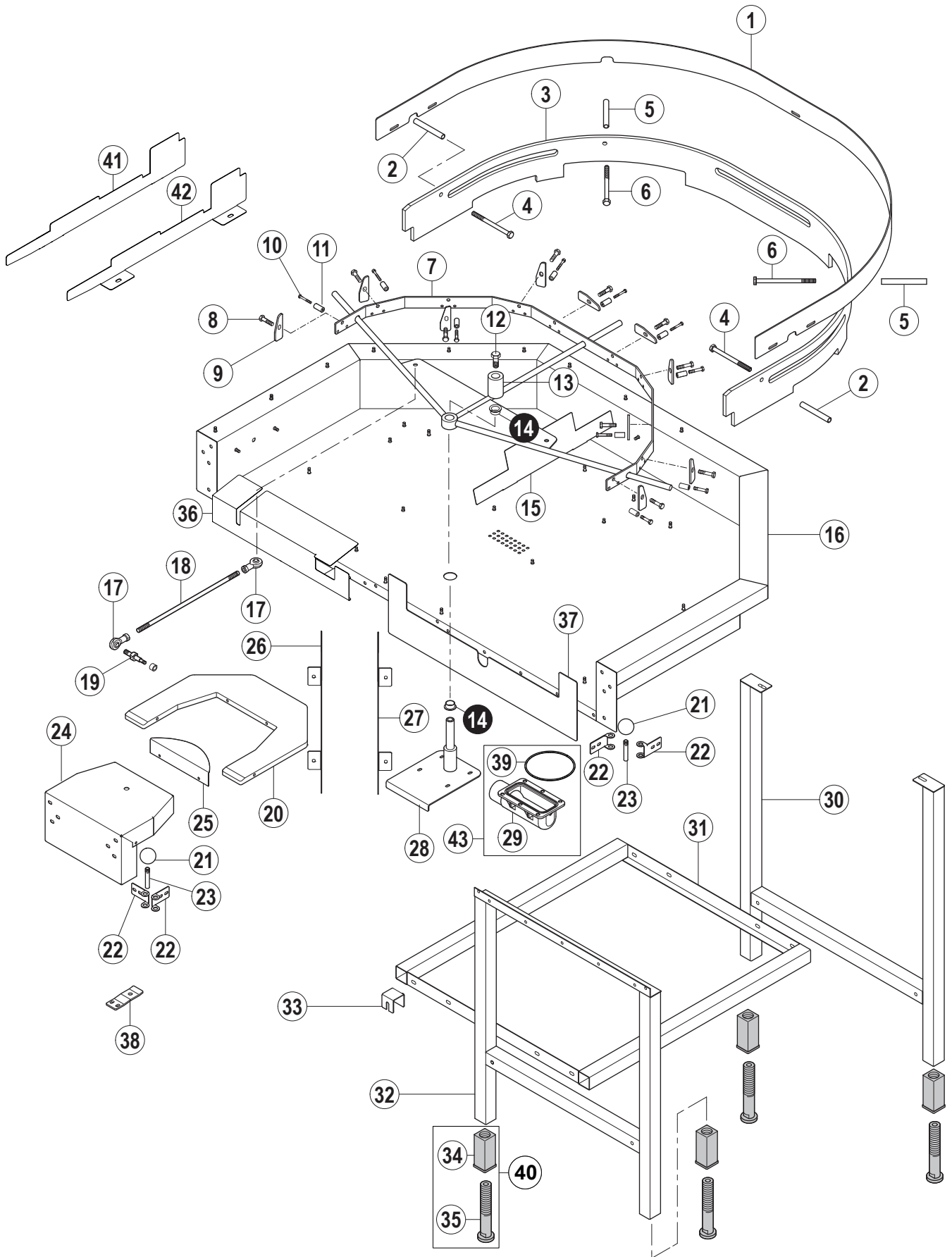


Legend: A = Running direction      B = Machine basic type      X = Length

Pos. no.	A	B [mm]			X [mm]	Remarks
		CS	CN	CP		
1		00-896433-001	=	=		
2		00-866524-003	=	=		
3		00-896431-001	=	=		
4		00-603124-000	=	=		
5		00-866524-002	=	=		
6		00-604059-000	=	=		
7		00-897777-001	=	=		
8		00-609312-000	=	=		
9		00-380528-037	=	=		
10		00-602643-000	=	=		
11		00-897727-001	=	=		
12		00-897727-002	=	=		
13		00-896440-001	=	=		
14		00-298963-012	=	=		
15		00-734988-001	=	=		
16		00-602594-000	=	=		
17		00-897769-001	=	=		
18		01-291724-001	=	=		
19		00-884105-001	=	=		
20		01-243284-002	=	=		
21		00-609067-000	=	=		
22		00-884128-009	=	=		L=360 mm
		00-884128-010	=	=		L=480 mm
23		04-001252-001	=	=		without dryer
		04-001252-002	=	=		with drying
24		00-897738-002	=	=		
25		00-897738-001	=	=		
26	L/R	04-001246-001	=	=		
	R/L	04-001246-002	=	=		
27		00-734997-001	=	=		
28		01-291429-002	=	=		
29		00-325008-001	=	=		
30		00-325007-001	=	=		
31		00-899284-001	=	=		
32		01-245109-001	=	=		
33		01-291759-001	=	=		
34		00-896438-001	=	=		
35		01-245340-004	=	=		
36		01-245107-001	=	=		
37		ML102829	=	=		
38		00-897727-001	=	=		
39		00-897727-002	=	=		

Transport curve - CTC/CDC 181-C

50. Transport curve - CTC/CDC 181-C



Legend: A = Running direction      B = Machine basic type      X = Length

Pos. no.	A	B [mm]			X [mm]	Remarks
		CS	CN	CP		
1		01-245225-001	=	=		
2		00-866524-003	=	=		
3		01-243213-001	=	=		
4		00-603124-000	=	=		
5		00-866524-002	=	=		
6		00-604059-000	=	=		
7		01-243216-001	=	=		
8		00-609312-000	=	=		
9		00-897777-001	=	=		
10		00-602573-000	=	=		
11		00-380528-037	=	=		
12		00-602594-000	=	=		
13		01-243217-001	=	=		
14		00-298963-012	=	=		
15		01-243234-001	=	=		
16	L/R	04-001341-001	=	=		without dryer
	R/L	04-001341-002	=	=		without dryer
	L/R	04-001341-003	=	=		with drying
	R/L	04-001341-004	=	=		with drying
17		00-609067-000	=	=		
18		00-884128-009	=	=		L=360 mm
19		00-884105-001	=	=		
20		01-243214-001	=	=		
21		00-603618-000	=	=		
22		01-243233-001	=	=		
23		00-735094-001	=	=		
24		01-291763-001	=	=		
25		01-243229-001	=	=		
26		00-897727-002	=	=		
27		00-897727-001	=	=		
28		01-243220-001	=	=		
29		00-325529-001	=	=		
30		00-896477-001	=	=		
31		01-243230-001	=	=		
32		00-734997-001	=	=		
33		00-895610-001	=	=		
34		00-325008-001	=	=		
35		00-325007-001	=	=		
36	L/R	04-001246-001	=	=		
	R/L	04-001246-001	=	=		
37		01-291759-001	=	=		
38		01-296169-002	=	=		only CDC-C/CTC-C to ND-module
39		00-276903-035	=	=		

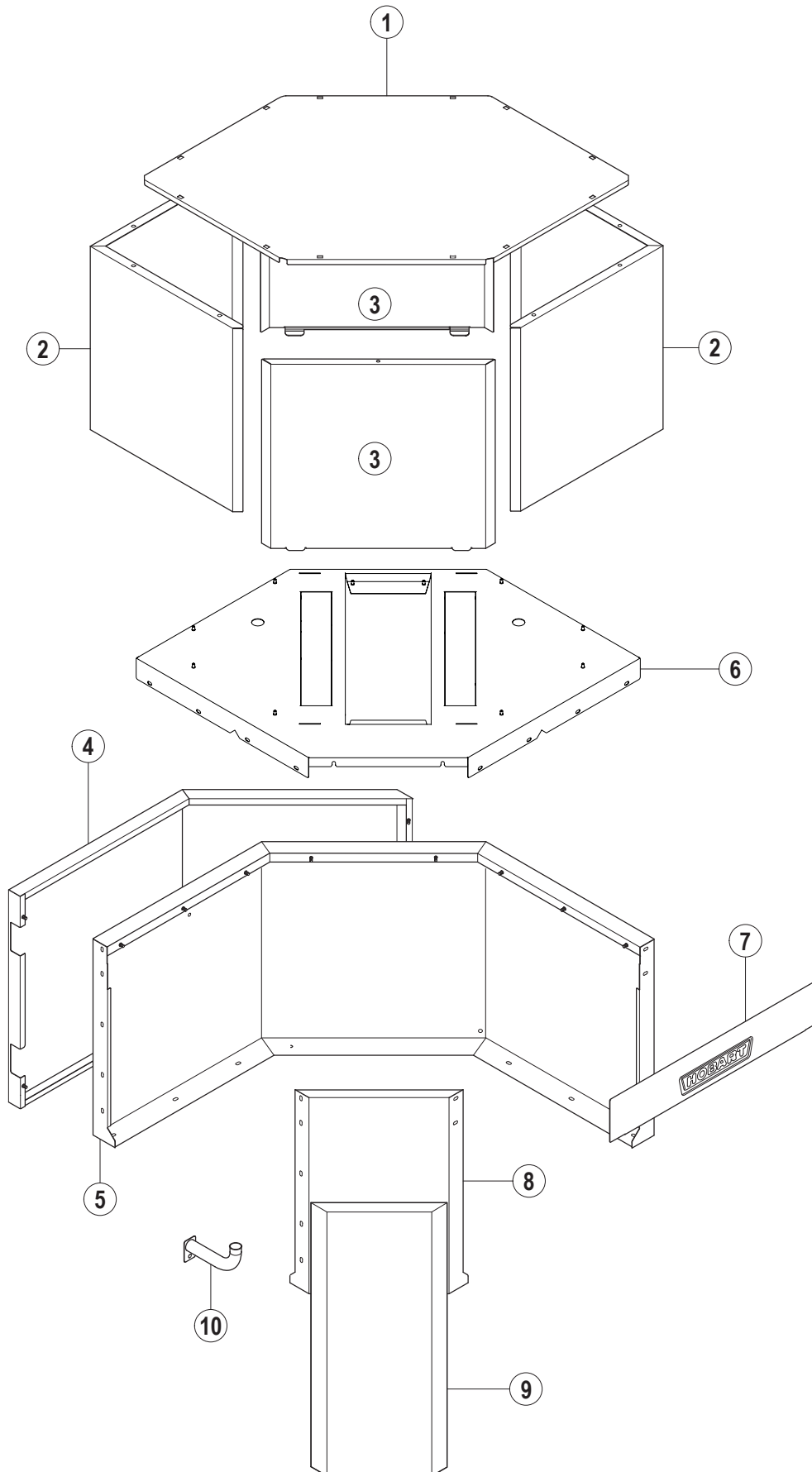
## Transport curve - CTC/CDC 181-C

Legend: A = Running direction B = Machine basic type X = Length

Pos. no.	A	B [mm]			X [mm]	Remarks
		CS	CN	CP		
40		ML102829	=	=		
41		00-897727-001	=	=		
42		00-897727-002	=	=		
43		ML102834	=	=		



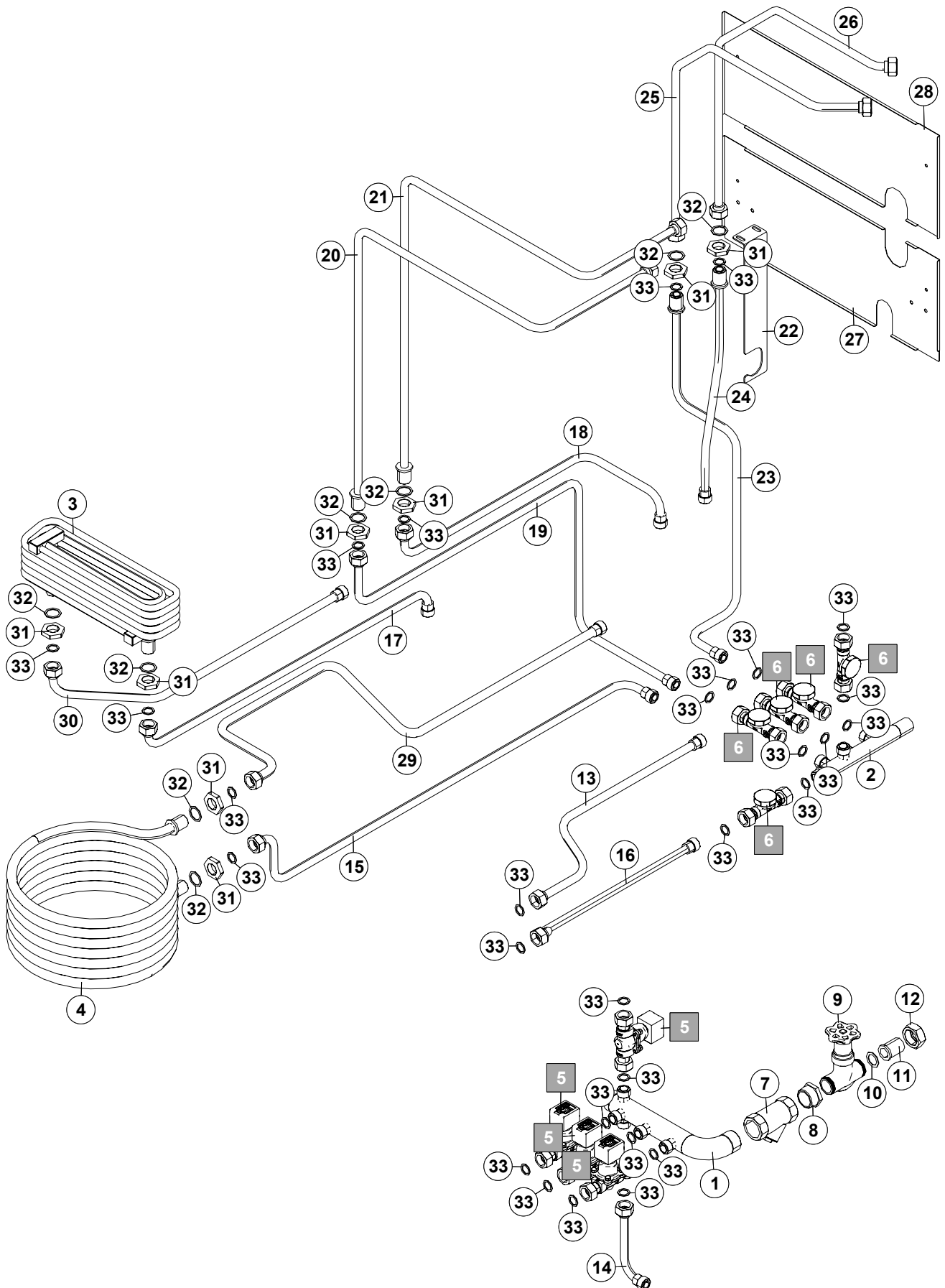
### 51. Curve drying - CDC



Legend: A = Running direction B = Machine basic type X = Length

Pos. no.	A	B [mm]			X [mm]	Remarks
		CS	CN	CP		
1		01-291734-001	=	=		
2		01-291732-001	=	=		
3		01-291735-001	=	=		
4		01-291737-001	=	=		
5	L/R	01-291726-001	=	=		
	R/L	01-291726-002	=	=		
6		04-001217-001	=	=		
7		01-291497-002	=	=		
8	L/R	01-291731-001	=	=		CDC91
	R/L	01-291731-002	=	=		CDC91
	L/R	01-291765-001	=	=		CDC181-C
	R/L	01-291765-002	=	=		CDC181-C
9		01-291756-001	=	=		CDC91
		01-291841-001	=	=		CDC181-C
10		01-291754-001	=	=		

### 52. Steam piping - CP





Legend: A = Running direction      B = Machine basic type      X = Length

Pos. no.	A	B [mm]			X [mm]	Remarks
		CS	CN	CP		
1		–	–	01-291902-001		
2	L/R	–	–	01-291912-002		
	R/L	–	–	01-291912-003		
3		–	–	01-291055-001		
4		–	–	01-245647-002		
5		–	–	01-245593-001		Steam 1-3,5 bar
		–	–	01-245593-002		Steam <= 1 bar
		–	–	00-869493-011		Service kit coil
6		–	–	01-245603-002		
7		–	–	00-774429-001		
8		–	–	00-609276-000		
9		–	–	00-165829-102		
10		–	–	00-300084-007		
11		–	–	00-846944-002		
12		–	–	00-609460-000		
13		–	–	04-001413-001		with DS drying
		–	–	04-001413-002		with CDS drying
14		–	–	04-001417-001		with DS drying
		–	–	04-001417-002		with CDS drying
15	L/R	–	–	04-001419-001		with DS drying
	L/R	–	–	04-001419-002		with CDS drying
	R/L	–	–	04-001419-003		with DS drying
	R/L	–	–	04-001419-004		with CDS drying
16		–	–	04-001417-003		
17		–	–	01-291922-003		with DS drying
		–	–	01-291922-002		with CDS drying
18	L/R	–	–	04-001409-001		
	R/L	–	–	04-001409-002		
19	L/R	–	–	04-001407-001		
	R/L	–	–	04-001407-002		
20	L/R	–	–	01-291891-001		
	R/L	–	–	01-291891-003		
21	L/R	–	–	01-291891-002		
	R/L	–	–	01-291891-004		
22		–	–	01-291929-001		
23	L/R	–	–	04-001422-001		
	R/L	–	–	04-001422-002		
24		–	–	01-291907-005		
25	L/R	–	–	01-291897-001		
	R/L	–	–	01-291897-003		
26	L/R	–	–	01-291897-002		
	R/L	–	–	01-291897-004		

Legend: A = Running direction

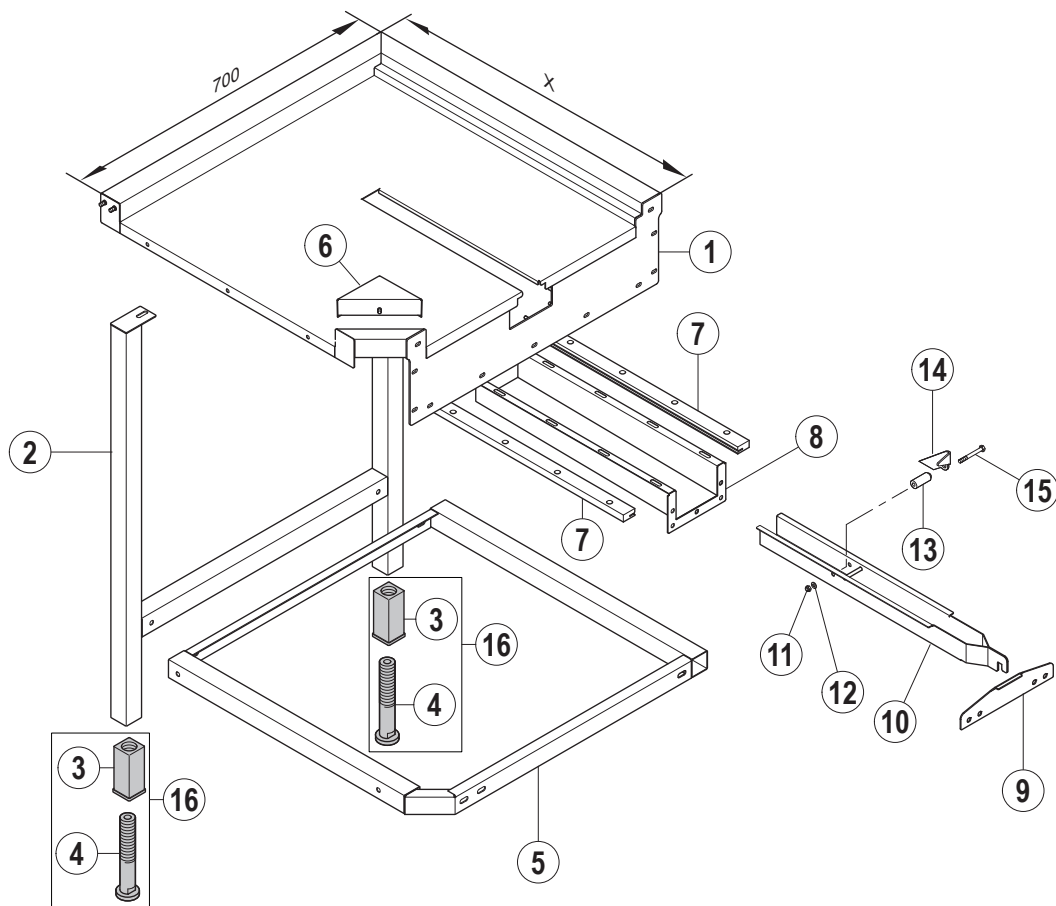
B = Machine basic type

X = Length

Pos. no.	A	B [mm]			X [mm]	Remarks
		CS	CN	CP		
27	L/R	–	–	04-001423-001		with DS drying
	L/R	–	–	04-001423-005		with CDS drying
	R/L	–	–	04-001423-003		with DS drying
	R/L	–	–	04-001423-007		with CDS drying
28	L/R	–	–	04-001423-002		with DS drying
	L/R	–	–	04-001423-006		with CDS drying
	R/L	–	–	04-001423-004		with DS drying
	R/L	–	–	04-001423-008		with CDS drying
29	L/R	–	–	04-001415-001		with DS drying
	L/R	–	–	04-001415-002		with CDS drying
	R/L	–	–	04-001415-003		with DS drying
	R/L	–	–	04-001415-004		with CDS drying
30	L/R	–	–	04-001411-001		with DS drying
	L/R	–	–	04-001411-002		with CDS drying
	R/L	–	–	04-001411-003		with DS drying
	R/L	–	–	04-001411-004		with CDS drying
31		–	–	00-609698-000		
32		–	–	00-300084-010		
33		–	–	00-302574-014		



### 53. CAF Corner insert

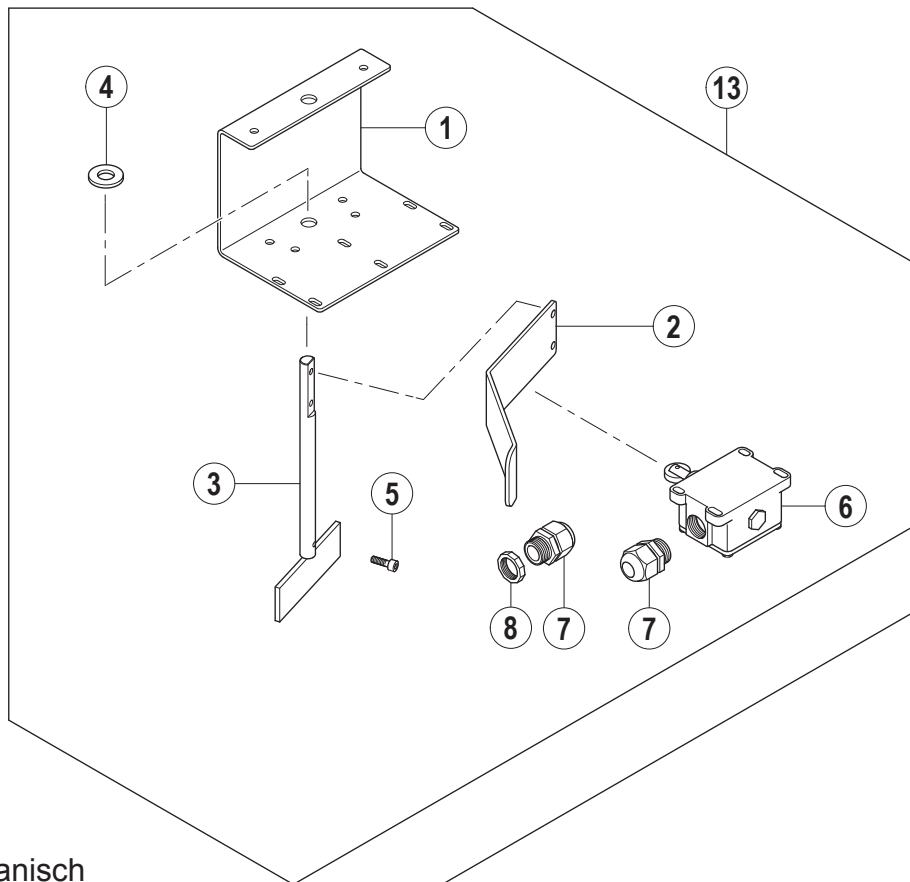


Legend: A = Running direction      B = Machine basic type      X = Length

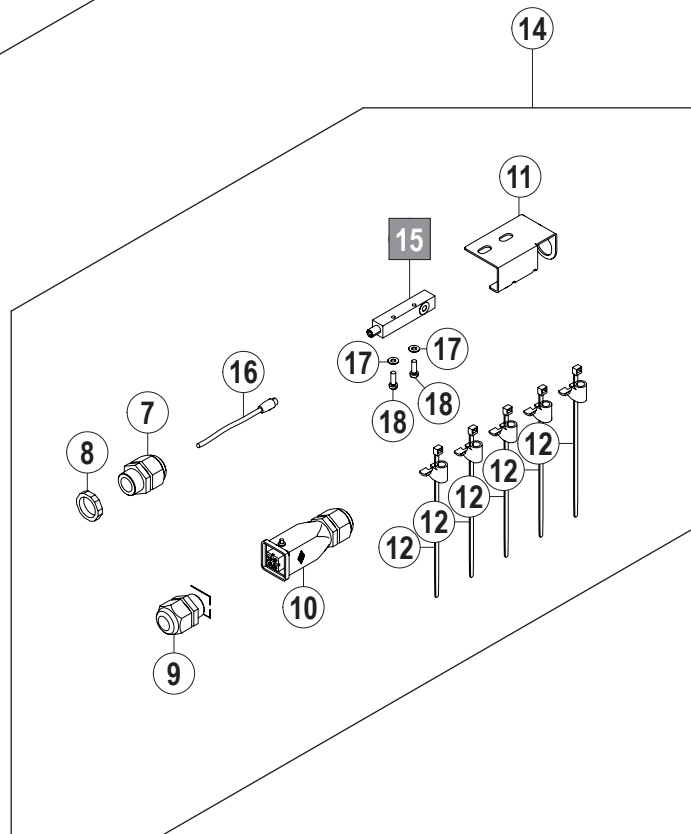
Pos. no.	A	B [mm]			X [mm]	Remarks
		CS	CN	CP		
1	L/R	01-296079-001	=	=	700	
	R/L	01-296082-001	=	=	700	
	L/R	01-512201-002	=	=	800	
	R/L	01-512205-003	=	=	800	
	L/R	01-512201-004	=	=	900	
	R/L	01-512205-009	=	=	900	
	L/R	01-512201-003	=	=	1000	
	R/L	01-512205-004	=	=	1000	
2		00-896477-001	=	=		
3		00-325008-001	=	=		
4		00-325007-001	=	=		
5	L/R	00-896478-001	=	=		
	R/L	00-896478-002	=	=		
6		00-896362-001	=	=		
7		00-734945-001	=	=		
8		00-734947-001	=	=	700	
		01-512193-002	=	=	800	
		01-512193-009	=	=	900	
		01-512193-005	=	=	800	
9		01-296076-001	=	=		
10		01-296078-001	=	=	700	
		01-512195-002	=	=	800	
		01-512195-011	=	=	900	
		01-512195-005	=	=	1000	
11		00-602502-000	=	=		
12		00-602286-000	=	=		
13		01-249194-001	=	=		
14	L/R	01-249191-001	=	=		
	R/L	01-249191-002	=	=		
15		00-603355-000	=	=		
16		ML102829	=	=		

Table limit switch / RACK-FLOW sensor system

54. Table limit switch / RACK-FLOW sensor system



mechanisch



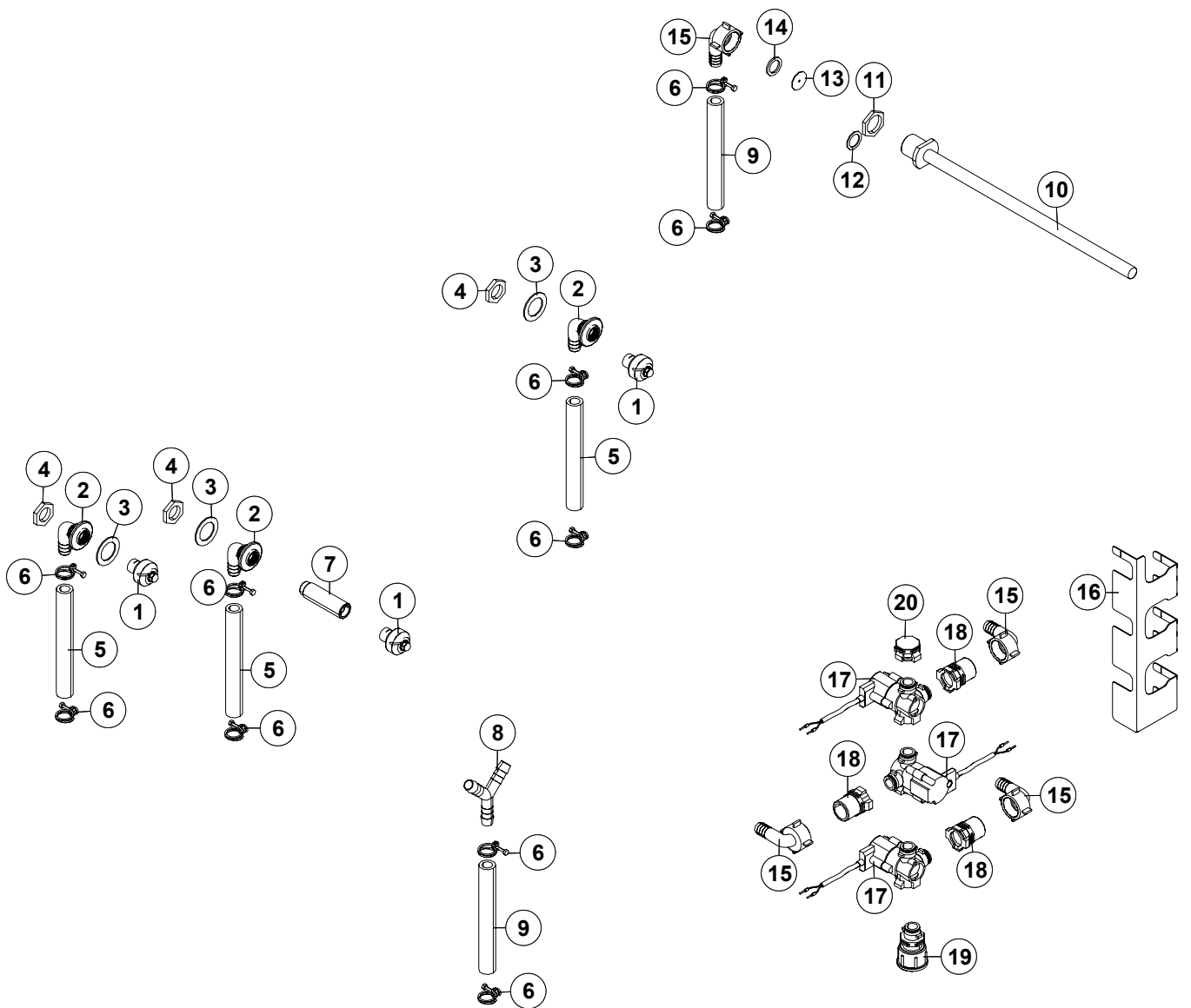
optisch

## Table limit switch / RACK-FLOW sensor system

Legend: A = Running direction B = Machine basic type X = Length

Pos. no.	A	B [mm]			X [mm]	Remarks
		CS	CN	CP		
1		01-518205-001	=	=		
2		00-735084-001	=	=		
3		00-735085-003	=	=		
4		00-228694-014	=	=		
5		00-609472-000	=	=		
6		00-785286-002	=	=		see wiring diagram
7		00-695661-003	=	=		M20
8		00-695664-003	=	=		M20
9		01-531540-001	=	=		
10		01-531540-002	=	=		
11		00-886535-001	=	=		
		–	00-886535-003	=		CAF
12		00-691923-001	=	=		
13		01-249750-004	=	=		mechanical
		01-249750-005	=	=		mechanical for rotary table
14		04-001050-004	=	=		optical
		04-001050-005	=	=		optical for rotary table
15		00-691925-001	=	=		
16		00-691925-011	=	=		
17		00-602283-000	=	=		
18		00-602526-000	=	=		

55. AUTO CLEAN

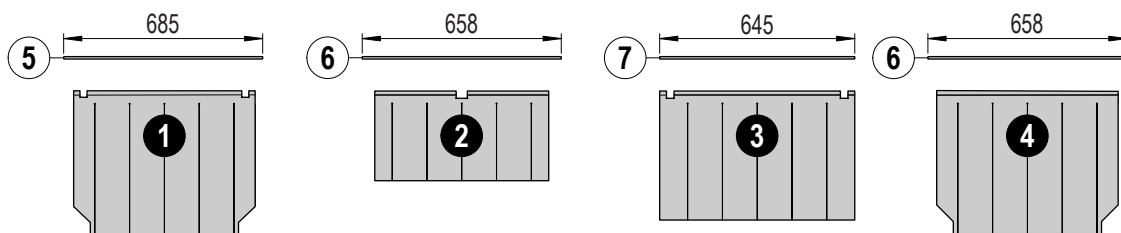




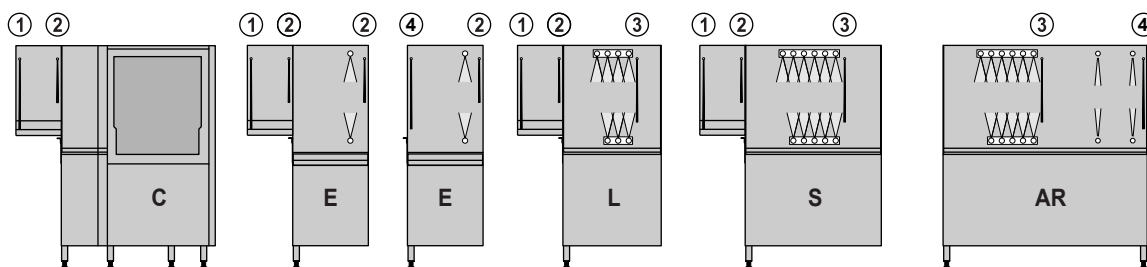
Legend: A = Running direction B = Machine basic type X = Length

Pos. no.	A	B [mm]			X [mm]	Remarks
		CS	CN	CP		
1		–	01-297394-001	=		
2		–	01-533129-001	=		
3		–	00-172986-025	=		
4		–	00-172739-001	=		
5		–	01-245571-002	=		
6		–	00-323945-022	=		
7		–	01-533216-001	=		
8		–	00-174047-001	=		
9		–	01-245571-004	=		
10		–	01-533283-001	=		
11		–	00-172739-002	=		
12		–	00-172986-034	=		
13		–	01-245857-010	=		
14		–	00-168611-009	=		
15		–	00-299240-001	=		
16		–	04-001293-001	=		6x Pos. 17
		–	04-001293-002	=		5x Pos. 17
		–	04-001293-003	=		4x Pos. 17
17		–	04-001065-001	=		
18		–	04-001067-001	=		
19		–	04-001262-001	=		
20		–	04-001276-001	=		

## 56. Curtains

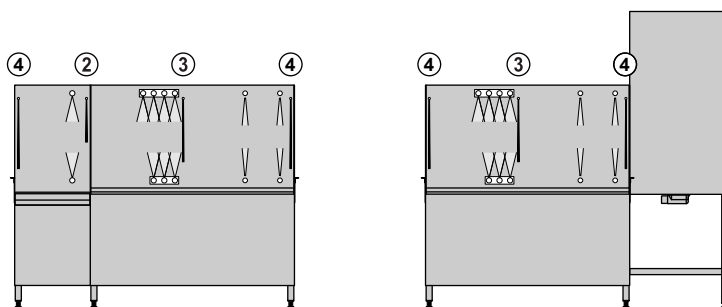


### Module



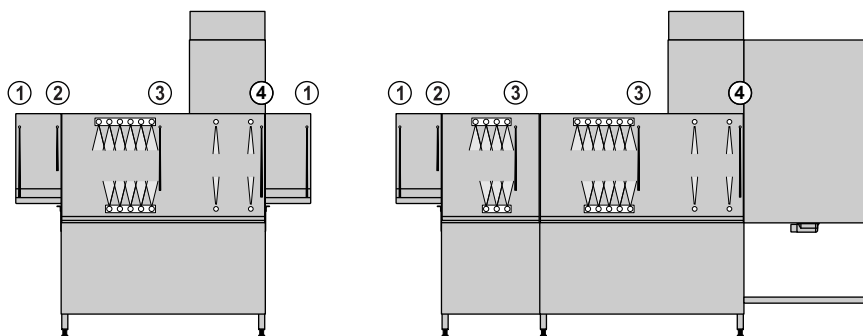
### Beispiele

#### CS



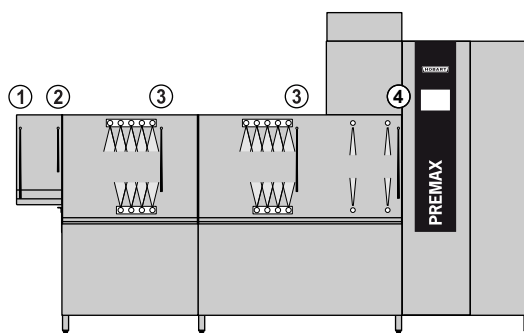
### Beispiele

#### CN



### Beispiel

#### CP



Legend: A = Running direction      B = Machine basic type      X = Length

Pos. no.	A	B [mm]			X [mm]	Remarks
		CS	CN	CP		
1		04-001084-001	=	=		
2		04-001084-002	=	=		
3		04-001084-003	=	=		
4		04-001084-004	=	=		
5		01-245396-017	=	=		
6		01-245396-007	=	=		
7		01-245396-006	=	=		

**HOBART GmbH**

Robert-Bosch-Str. 17  
77656 Offenburg  
Germany  
Tel.: +49 (0)781.600-0  
Fax: +49 (0)781.600-23 19  
E-Mail: [info@hobart.de](mailto:info@hobart.de)  
Internet: [www.hobart.de](http://www.hobart.de)

HOBART Export  
Robert-Bosch-Str. 17  
77656 Offenburg  
Germany  
Phone: +49 (0)781.600-2820  
Fax: +49 (0)781.600-2819  
E-Mail: [info-export@hobart.de](mailto:info-export@hobart.de)  
Internet: [www.hobart-export.com](http://www.hobart-export.com)

**Hobart UK.**

Southgate Way,  
Orton Southgate,  
Peterborough  
PE2 6GN  
United Kingdom  
Phone: +44 (0)844 888 7777  
Republic of Ireland: +353 (0)1246 0248  
Fax: +44 (0)1733 361 347  
E-mail: [sales@hobartuk.com](mailto:sales@hobartuk.com)  
Internet: [www.hobartuk.com](http://www.hobartuk.com)

**Compagnie HOBART SAS**

Allée du 1er mai  
77183 Croissy Beaubourg  
FRANCE  
Phone: +33 (0)1 64 11 60 00  
Fax: +33 (0)1 64 11 60 10  
E-mail: [contact@hobart.fr](mailto:contact@hobart.fr)  
Internet: [www.hobart.fr](http://www.hobart.fr)

**Hobart Nederland BV**

Pompmolenlaan 12  
3447 GK Woerden  
Phone: +31 (0)348 462626  
Fax: +31 (0)348 430117  
E-mail: [info@hobartnederland.nl](mailto:info@hobartnederland.nl)  
Internet: [www.hobartnederland.nl](http://www.hobartnederland.nl)

**Hobart Foster Belgium bvba/sprl**

Industriestraat 6  
1910 Kampenhout  
Telefoon +32 (0) 16.60.60.40  
Fax +32 (0) 16.60.59.88  
E-mail: [info@hobart.be](mailto:info@hobart.be)  
Internet: [www.hobart.be](http://www.hobart.be)

**Hobart Norge**

Gamle Drammenvei 120  
N-1363 Høvik  
Phone: +47-67109800  
Fax: +47-67109801  
E-mail: [post@hobart.no](mailto:post@hobart.no)  
Internet: [www.hobart.no](http://www.hobart.no)

**Hobart Scandinavia ApS**

Håndværkerbyen 27  
2670 Greve  
Danmark  
Phone: +45 4390 5012  
Fax: +45 4390 5002  
E-mail: [salg@hobart.dk](mailto:salg@hobart.dk)  
Internet: [www.hobart.dk](http://www.hobart.dk)

**Hobart Sweden/Finland**

Phone: +46 8 584 50 920  
E-mail: [info@hobart.se](mailto:info@hobart.se)  
Internet: [www.hobart.se](http://www.hobart.se)

**Australia****Hobart Food Equipment**

Unit 1 / 2 Picken Street,  
Silverwater NSW, 2128  
Tel: +61 1800 462 278  
Fax: +61 02 9714 0222  
E-mail: [sales@hobartfood.com.au](mailto:sales@hobartfood.com.au)  
Internet: [www.hobartfood.com.au](http://www.hobartfood.com.au)

**HOBART China**

15th Floor, Building A  
New Caohejing International Business  
Center  
391 Gui Ping Road  
Shanghai, 200233  
Phone: +86 (0)21 34612000  
Fax: +86 (0)21 34617166  
Internet: [www.hobartchina.com](http://www.hobartchina.com)

**HOBART Korea LLC**

7th Floor, Woonsan Bldg, 108, Bangi-dong  
Songpa-gu, Seoul 138-050  
Korea  
Telephone: +82 2 34 43 69 01  
Fax: +82 2 34 43 69 05  
E-mail: [contact@hobart.co.kr](mailto:contact@hobart.co.kr)  
Internet: [www.hobart.co.kr](http://www.hobart.co.kr)

**HOBART (Japan) K.K.**

6-16-16 Minami-Oi, Shinagawa-ku,  
Tokyo 140-0013  
Japan  
Telephone: +81 3 5767 8670  
Fax: +81 3 5767 8675  
E-mail: [info@hobart.co.jp](mailto:info@hobart.co.jp)  
Internet: [www.hobart.co.jp](http://www.hobart.co.jp)

**Hobart International (S) Pte Ltd**

158, Kallang Way, #06-03/05  
Singapore 349245  
Telephone: +65 6846 7117  
Fax: +65 6846 0991  
E-mail: [enquiry@hobart.com.sg](mailto:enquiry@hobart.com.sg)  
Internet: <http://www.hobart.com.sg>

**Hobart Thailand**

43 Thai CC Tower Building,  
31st FL, Room No. 310-311,  
South Sathorn Rd., Yannawa,  
Sathorn, Bangkok, 10120  
Thailand  
Telephone: +66(0)2-675-6279-81  
Fax: +66(0)2-675-6282  
E-mail: [enquiry@hobarthailand.com](mailto:enquiry@hobarthailand.com)  
Internet: <http://www.hobarthailand.com>

**ITW India Pvt Ltd.**

501-502 Vipul Trade Centre  
Sector 48 Sohna Road  
Gurgaon 122001  
Telephone: +91 124 4245430  
Fax: +91 124 4245432