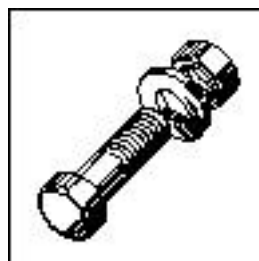


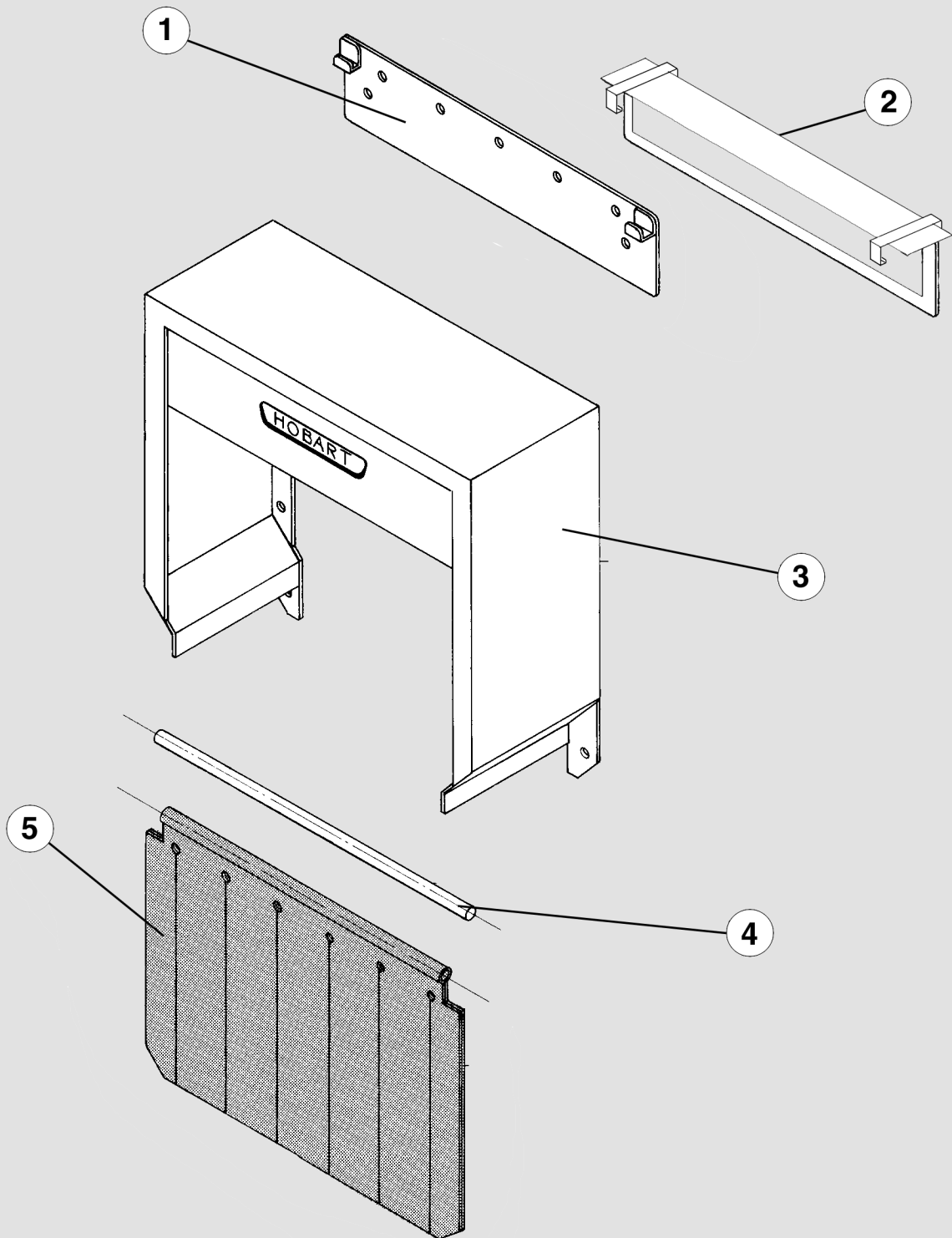
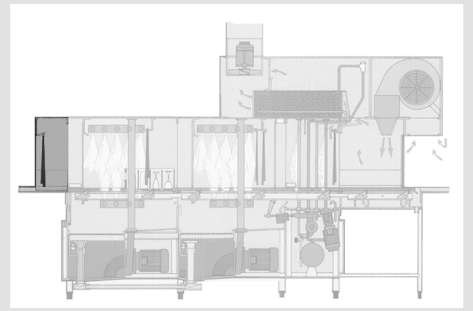


**CX**

**Dishwashers ( Rigid Pipework )**



**Spare Parts  
Pièces Détachées  
Ersatzteile**

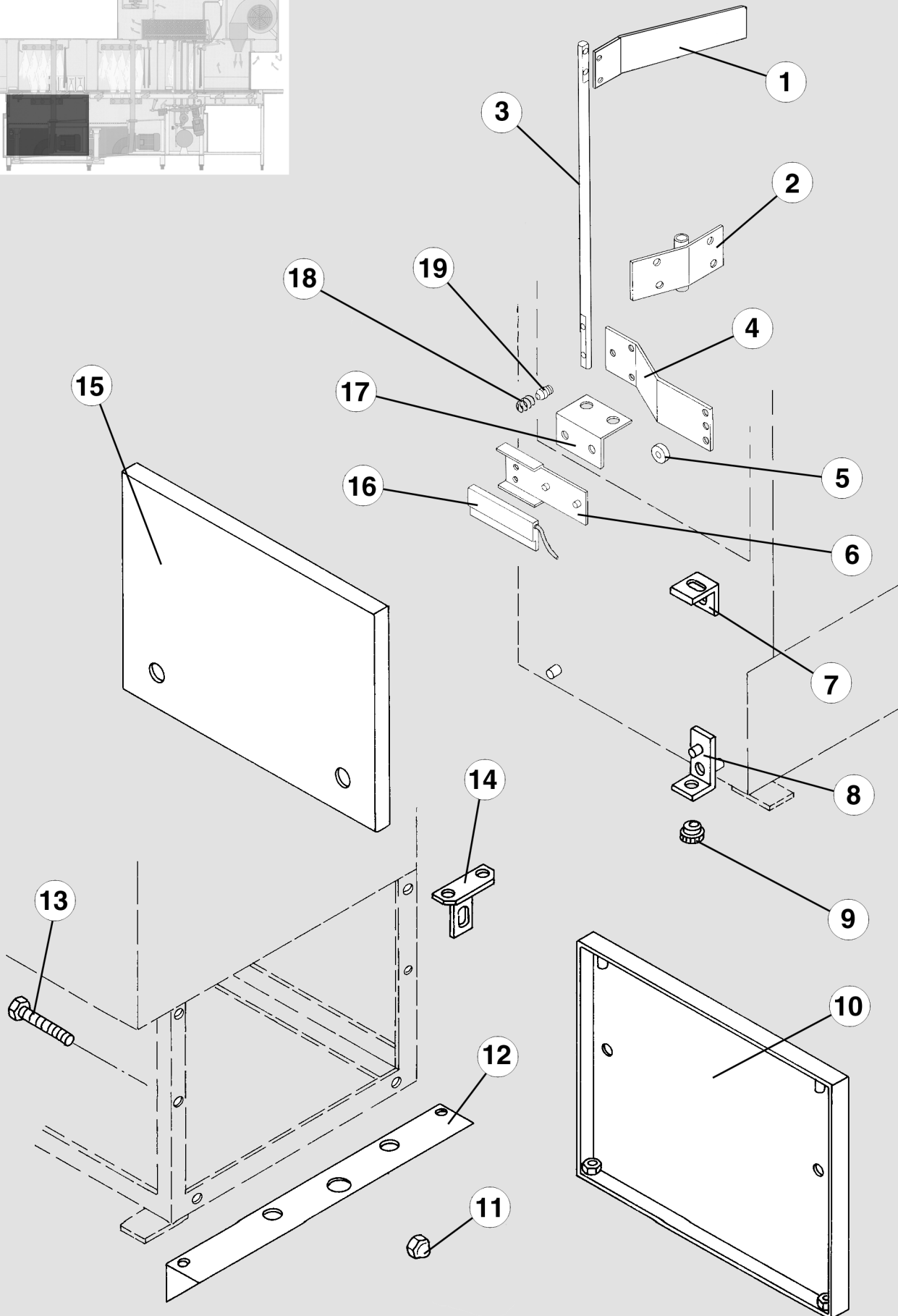
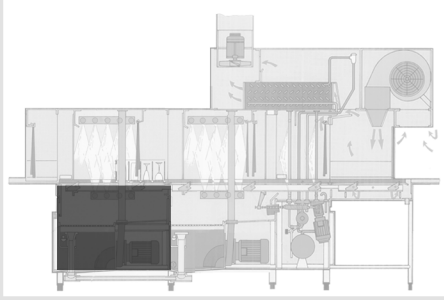




Extended Hood  
Sas  
Vorhaube

CX

| Key No | Part No  | Description                    |
|--------|----------|--------------------------------|
| 1      | 231843   | Plate                          |
| 2      | 230879-1 | Curtain Baffle / Double Hanger |
| 3      | 231620-1 | Hood Assy                      |
| 4      | 231540-1 | Rod 612mm                      |
| 5      | 230781   | Curtain                        |

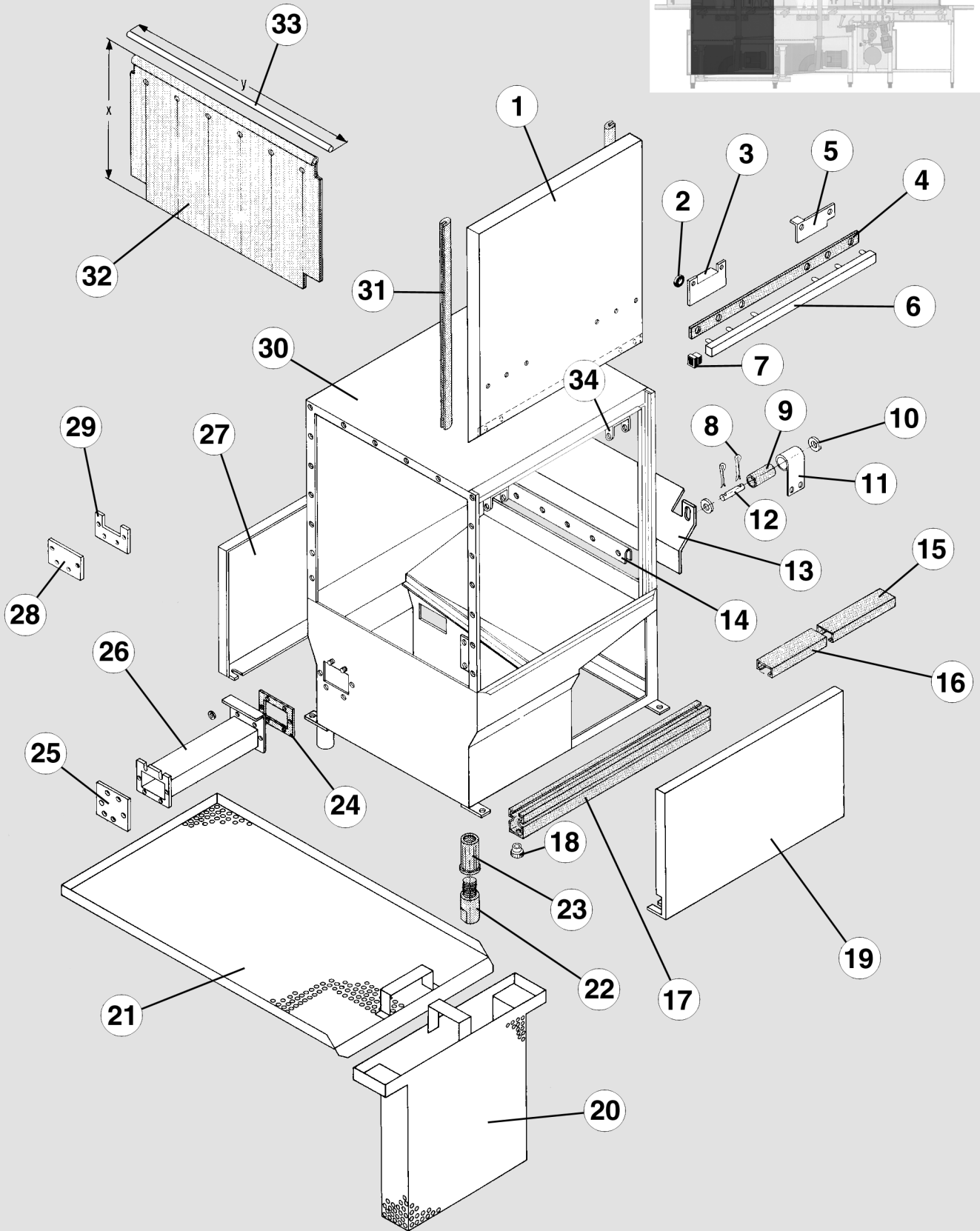




**Autotimer + Side Panels**  
**Autominuteur + Panneaux Latérales**  
**Autotimer + Seitenverkleidungen**

**CX**

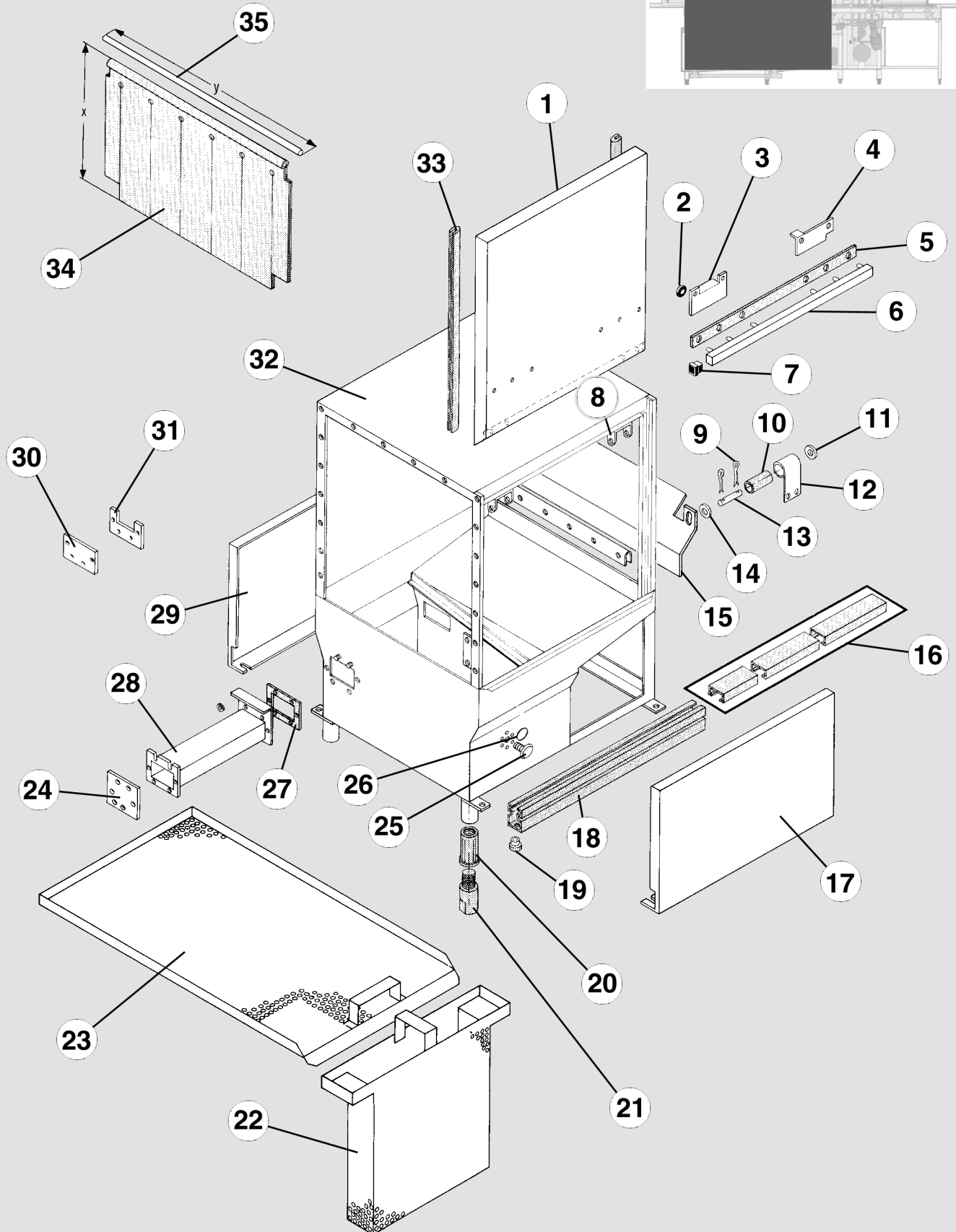
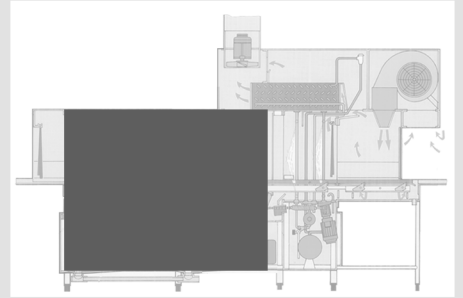
| Key No | Part No              | Description  |
|--------|----------------------|--|
| 1      | 230942<br>230934     | Lever / Plate Auto Timer ( AF-70 ) *<br>Lever / Plate Auto Timer * |
| 2      | 230939               | Bracket *  |
| 3      | 230938               | Rod *  |
| 4      | 230935               | Bracket *  |
| 5      | 166964               | Magnet. NB:, 325673-1 ( Has a Stronger Magnetic Field )            |
| 6      | 230944               | Bracket - Autotimer  |
| 7      | 230965               | Bracket  |
| 8      | 230950               | Bracket Assy   |
| 9      | 229525               | Nut - Knurled  |
| 10     | 230951               | Panel - Cover Assy   |
| 11     | 602512               | Acorn Nut  |
| 12     | 230953               | Bracket  |
| 13     | 602747               | Screw ( M6 x 60 )  |
| 14     | 230948               | Bracket  |
| 15     | 230952-1<br>230952-2 | Panel ( L - R )<br>Panel ( R - L )                                 |
| 16     | 230754-2             | Autotimer - Cut Out Magnetic                                       |
| 17     | 230936               | Bracket *  |
| 18     | 230943               | Spring - Rinse Arm   |
| 19     | 230940               | Screw  |
|        | *150840-1            | Autotimer Lever Assy ( L - R )                                     |
|        | *150840-2            | Autotimer Lever Assy ( R - L )                                     |



| <b>Key No</b> | <b>Part No</b>   | <b>Description</b>   |
|---------------|------------------|--|
| 1             | 229790           | Door   |
| 2             | 166964           | Magnet<br>NOTE: New door magnets with a stronger magnetic field are now available when ordering Part No. 774714-1. |
| 3             | 231591<br>231586 | Bracket L-R<br>Bracket R-L   |
| 4             | 229805           | Gasket   |
| 5             | 231592<br>231583 | Bracket L-R<br>Bracket R-L   |
| 6             | 229806           | Handle   |
| 7             | 229532           | Plug   |
| 8             | 603274           | Split Pin ( 3 x 16mm )   |
| 9             | 173481           | Roller   |
| 10            | WAM-E-8-42       | Washer 10.5 x 21mm )   |
| 11            | 230072           | Spring - Door ( 600mm )  |
| 12            | 602839           | Pin  |
| 13            | 230928           | Panel - Wash Tank  |
| 14            | 231517           | Bracket  |
| 15            | 229561-7         | Cable Duct Cover x 230   |
| 16            | 229561-4         | Cable Duct Cover x 150   |
| 17            | 229553-5         | Conduit - Bottom   |
| 18            | 229525           | Nut - Knurled  |
| 19            | 229204-2         | Panel  |
| 20            | 229763           | Strainet Basket  |
| 21            | 231515-2         | Strainer Pan   |
| 22            | 166066-3         | Foot - Adjustable  |

| Key No | Part No          | Description                    |
|--------|------------------|--------------------------------|
| 23     | 166067-1         | Treaded Insert - Foot          |
| 24     | 229161           | Gasket                         |
| 25     | 229166-1         | Plate                          |
| 26     | 229765<br>229160 | Tube Assy L-R<br>Tube Assy R-L |
| 27     | 231544-2         | Panel                          |
| 28     | 229162-1         | Bracket                        |
| 29     | 229162-3         | Bracket                        |
| 30     | 231500           | Chamber                        |
| 31     | 112378-21        | Guide - Door                   |
| 32     | 231602-1         | Curtain ( 380mm )              |
| 33     | 231540-2         | Rod ( 680mm )                  |
| 34     | 174085           | Bracket - Spring               |
|        | 869274-1         | Sealing Tape                   |





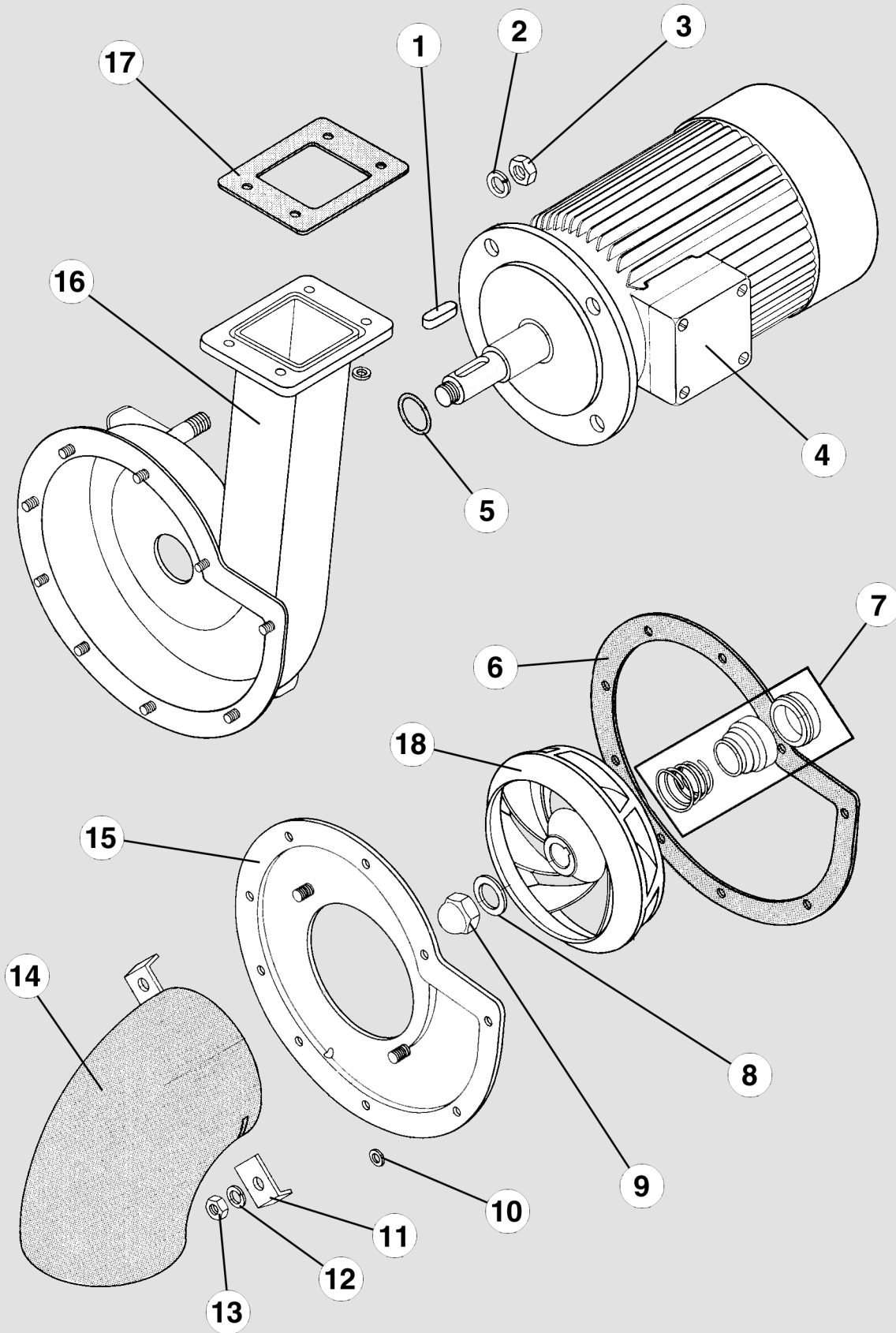
| Key No | Part No          | Description  |
|--------|------------------|--|
| 1      | 229132           | Door   |
| 2      | 166964           | Magnet<br>NOTE: New door magnets with a stronger magnetic field are now available when ordering Part No. 774714-1. |
| 3      | 231591<br>231586 | Bracket L-R<br>Bracket R-L   |
| 4      | 231592<br>231583 | Bracket L-R<br>Bracket R-L   |
| 5      | 229531           | Gasket   |
| 6      | 229501           | Handle   |
| 7      | 229532           | Plug   |
| 8      | 174085           | Bracket - Spring   |
| 9      | 603274           | Split Pin ( 3 x 16mm )   |
| 10     | 173481           | Roller   |
| 11     | WAM-E-8-42       | Washer (10.5 x 21mm )  |
| 12     | 229277<br>229732 | Spring - Door ( 900mm )<br>Spring - Door ( for Insullated 900mm )  |
| 13     | 140001           | Spring - Axle  |
| 14     | WAM-E-8-42       | Washer (10.5 x 21mm )  |
| 15     | 231539           | Plate  |
| 16     | 229561           | Conduit - Top  |
| 17     | 229204-1         | Panel - Side   |
| 18     | 229331           | Conduit - Bottom   |
| 19     | 229525           | Nut - Knurled  |
| 20     | 166067-1         | Treaded Insert   |
| 21     | 166066-3         | Foot - Adjustable  |



## Module 900mm

**CX**

| Key No | Part No          | Description                    |
|--------|------------------|--------------------------------|
| 22     | 229400           | Basket                         |
| 23     | 231515-1         | Strainer Pan                   |
| 24     | 229166-1         | Plate                          |
| 25     | 229585           | Plug Button - Tank             |
| 26     | 67500-118        | O-Ring                         |
| 27     | 229161           | Gasket                         |
| 28     | 229765<br>229160 | Tube Assy L-R<br>Tube Assy R-L |
| 29     | 231544-1         | Panel                          |
| 30     | 229162-1         | Bracket                        |
| 31     | 229162-3         | Bracket                        |
| 32     | 230810           | Chamber                        |
| 33     | 112378-21        | Guide - Door                   |
| 34     | 231602-1         | Curtain                        |
| 35     | 231540-2         | Rod                            |
|        | 869274-1         | Sealing Tape                   |

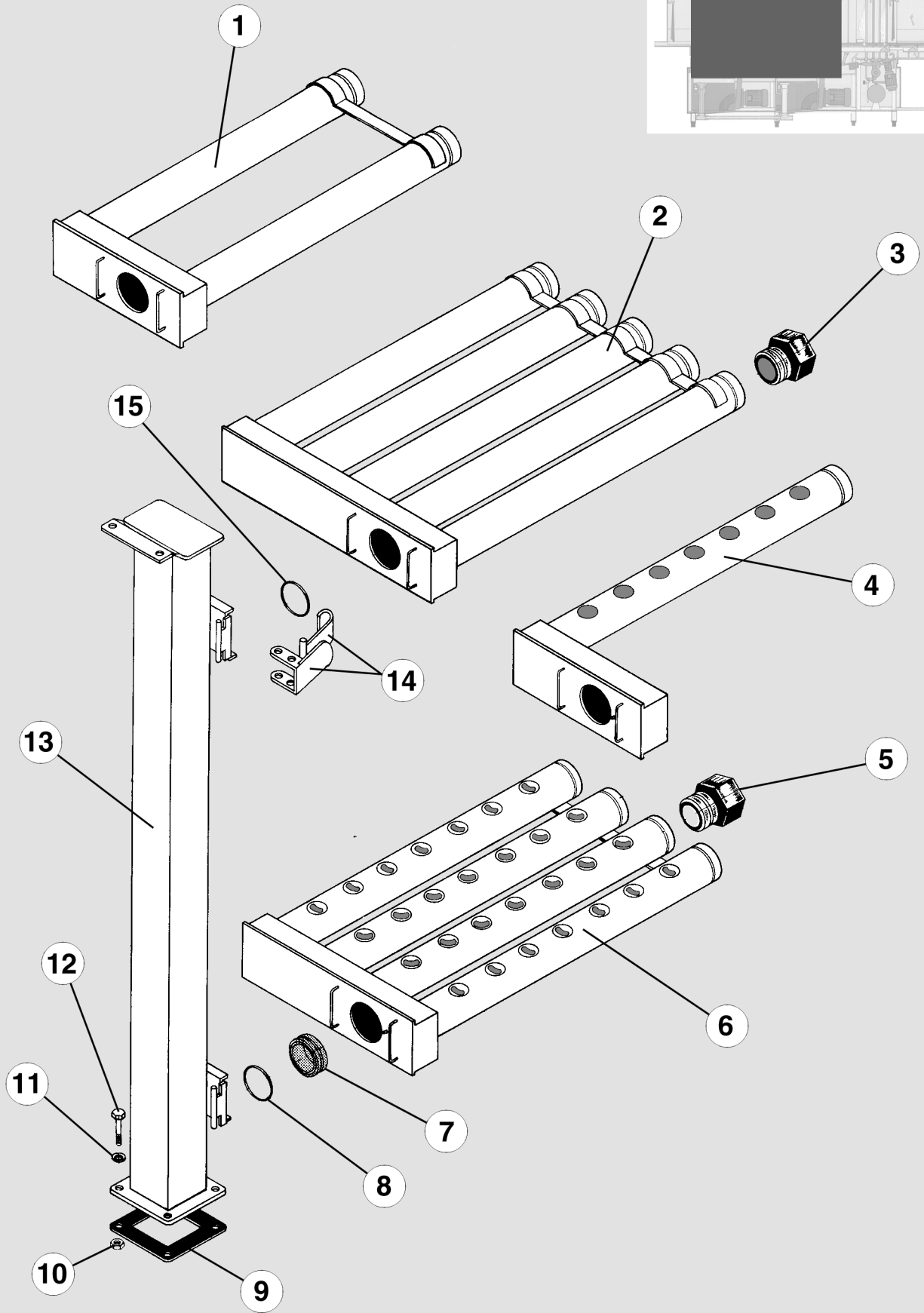
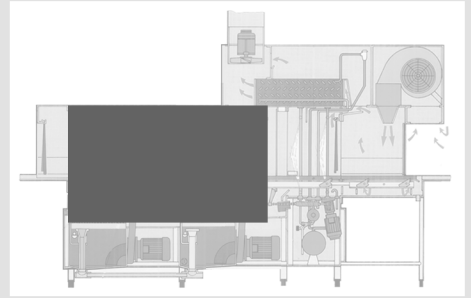




Pump / Pompe / Pumpe  
600 & 900 mm Module

CX

| Key No | Part No                               | Description  |
|--------|---------------------------------------|--|
| 1      | 602344                                | Key ( A4 x 4 x 16 )  |
| 2      | 602305                                | Lockwasher M8  |
| 3      | 602492                                | Nut M8   |
| 4      | 229741-1<br>229136-73-74<br>229136-17 | PRE-Wash Motor - .55kW<br>MAIN-Wash Motor - 1.5kW<br>Heavy Duty Motor - 2.2kW            |
| 5      | 67500-8                               | O-Ring   |
| 6      | 229402                                | Gasket   |
| 7      | 104329                                | Seal Assy 5/8"   |
| 8      | 602287                                | Washer 8.4mm   |
| 9      | NUM-E-3-31<br>NUM-E-4-10              | Nut - Dome M8<br>Nut - Dome M10  |
| 10     | 602286                                | Lockwasher   |
| 11     | 229416                                | Clip - Intake  |
| 12     | LWM-E-3-1                             | Lockwasher M6  |
| 13     | NUM-E-3-2                             | Nut M6   |
| 14     | 229434                                | Pump Intake  |
| 15     | 229616                                | Face Plate - Pump  |
| 16     | 229395                                | Pump Housing   |
| 17     | 296709                                | Gasket   |
| 18     | 229575-1<br>229575-2                  | Impeller - 50Hz - .55kW Motor - Module 600<br>Impeller - 60Hz - .55kW Motor - Module 600 |
|        | 231593-1<br>231593-2                  | Impeller - 50Hz - 1.5kW Motor - Module 900<br>Impeller - 60Hz - 1.5kW Motor - Module 900 |
|        | 229137-1<br>229137-2                  | Impeller - 50Hz - 2.2kW Motor - Module 900<br>Impeller - 60Hz - 2.2kW Motor - Module 900 |

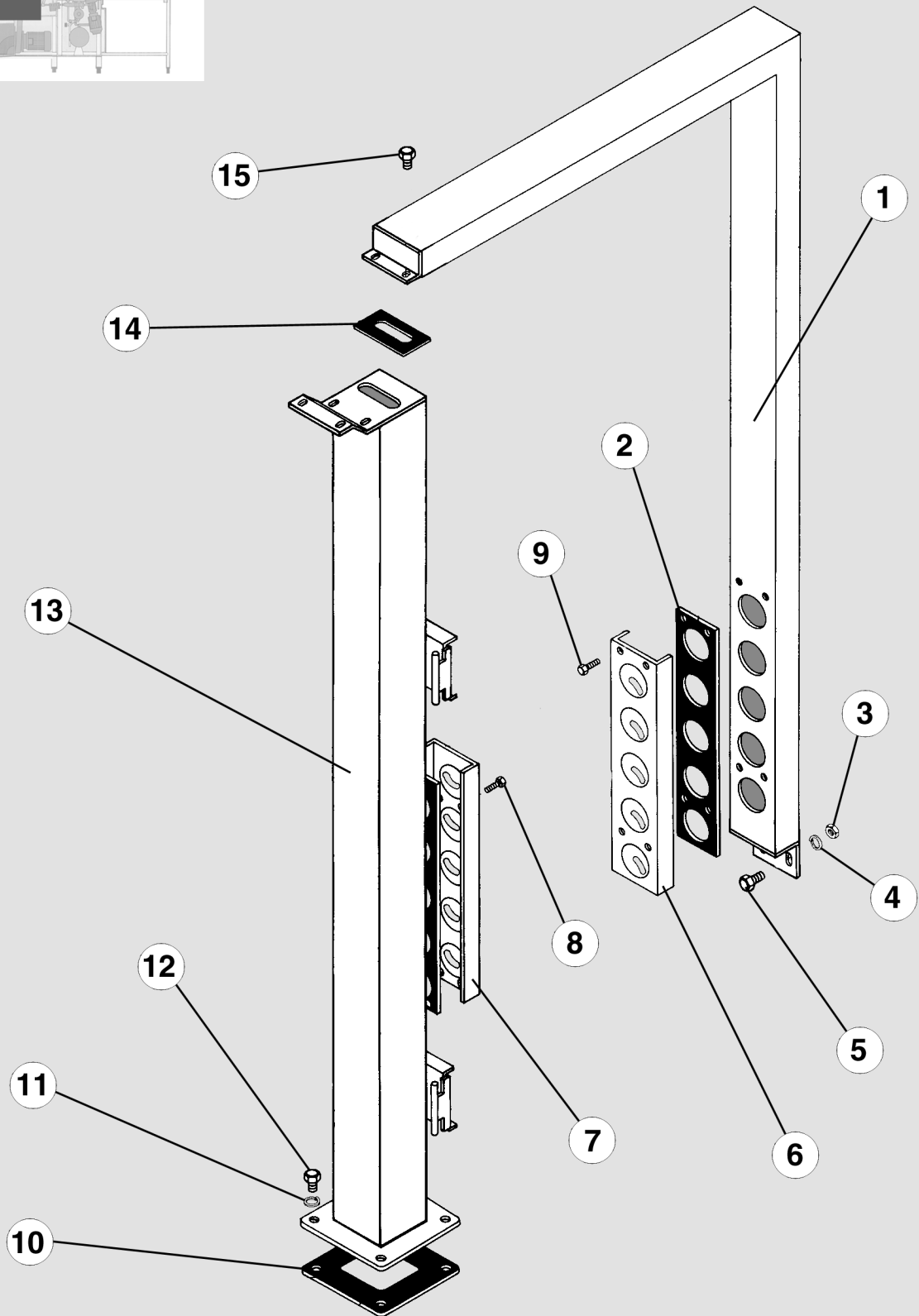
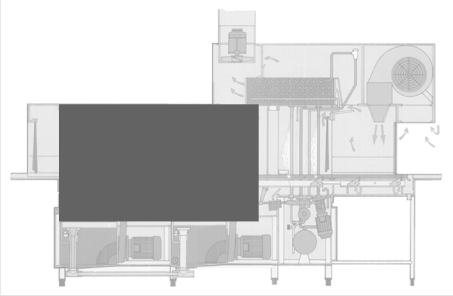




**Wash Systems  
Rampe de Lavage  
Waschsysteme**

**CX**

| <b>Key No</b> | <b>Part No</b>                               | <b>Description</b>   |
|---------------|--|--|
| 1             | 229862-2<br>229864-2                         | Wash Arm Upper - L-R<br>Wash Arm Upper - R-L   |
| 2             | 229630-2<br>229631-2                         | Wash Arm Upper - L-R<br>Wash Arm Upper - R-L   |
| 3             | 106769                                       | Wash Arm Plug  |
| 4             | 229863-2                                     | Wash Arm Lower   |
| 5             | 106769                                       | Wash Arm Plug  |
| 6             | 229057-2                                     | Wash Arm Lower   |
| 7             | 229568-1<br>229568-3<br>229568-2<br>229568-4 | Wash Arm Choke - 31mm Dia Bore<br>Wash Arm Choke - 28mm Dia Bore<br>Wash Arm Choke - 23mm Dia Bore<br>Wash Arm Choke - 18mm Dia Bore |
| 8             | GS-E-1-3                                     | O-Ring   |
| 9             | 296709                                       | Gasket   |
| 10            | NUM-E-3-2                                    | Nut M6   |
| 11            | LWM-E-3-1                                    | Lockwasher M6  |
| 12            | SCM-E-13-39                                  | Screw M6   |
| 13            | 231510-1                                     | Dishcharge Pipe  |
| 14            | 784303-1                                     | Latch Assy   |
| 15            | GS-E-1-3                                     | O-Ring   |



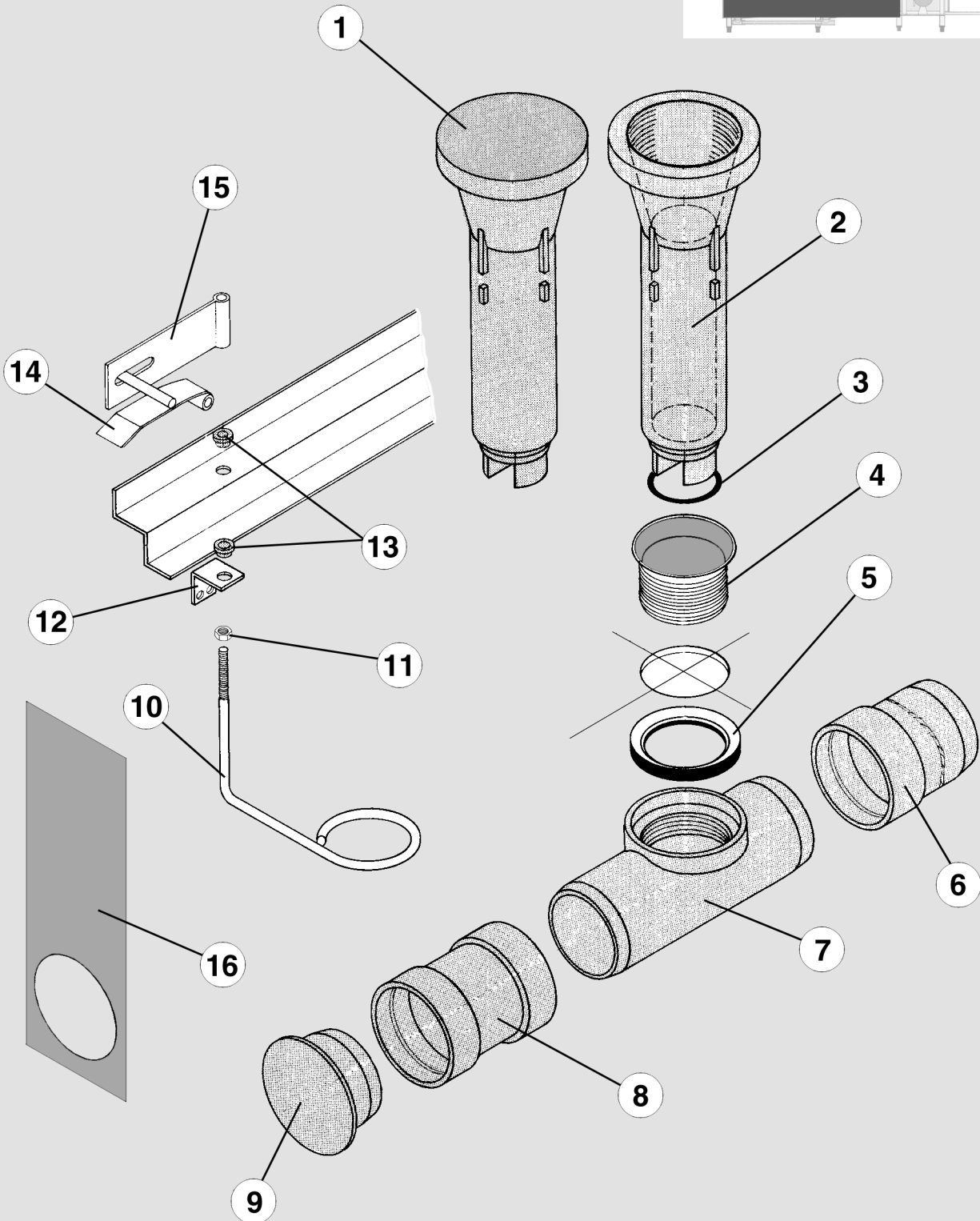
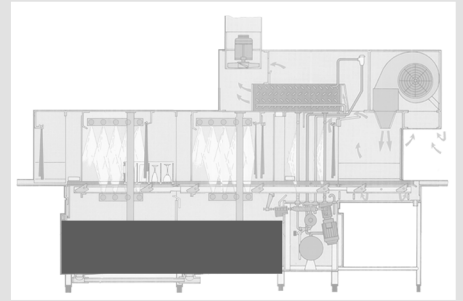




Side Wash  
Rampe de Lavage Latérale  
Seitliche Waschung

CX

| Key No | Part No              | Description            |
|--------|----------------------|------------------------|
| 1      | 231644               | Manifold               |
| 2      | 230231               | Gasket                 |
| 3      | NUM-E-3-2            | Nut M6                 |
| 4      | LWM-E-3-1            | Lockwasher M6          |
| 5      | 602569               | Screw M6               |
| 6      | 230236-1<br>230235-1 | Plate L-R<br>Plate R-L |
| 7      | 230236-1<br>230235-1 | Plate L-R<br>Plate R-L |
| 8      | 602567               | Screw M5               |
| 9      | 602567               | Screw M5               |
| 10     | 296709               | Gasket                 |
| 11     | LWM-E-3-1            | Lockwasher M6          |
| 12     | SCM-E-13-39          | Screw M6               |
| 13     | 231643               | Manifold               |
| 14     | 231645               | Gasket                 |
| 15     | 602570               | Screw M6               |

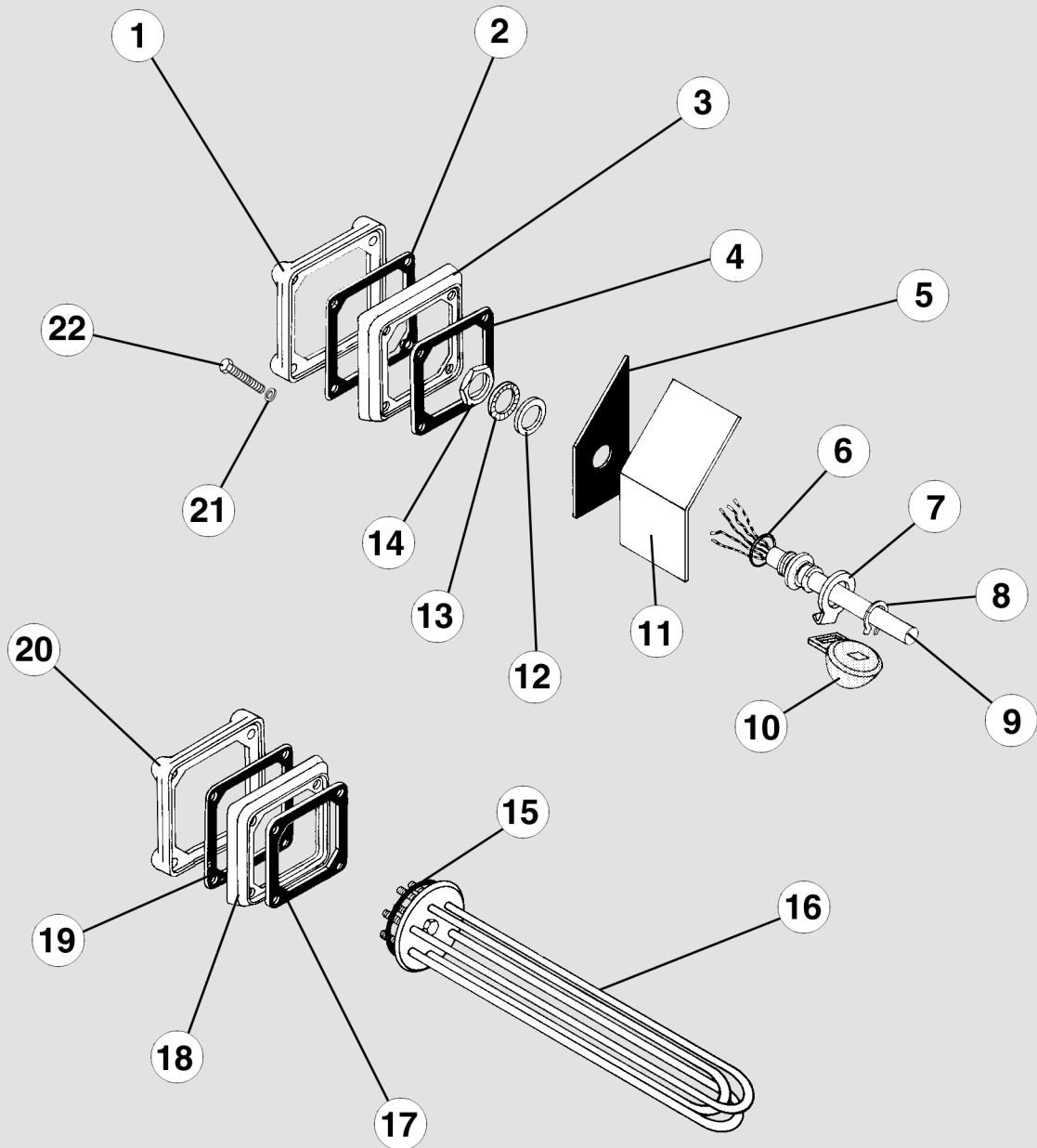
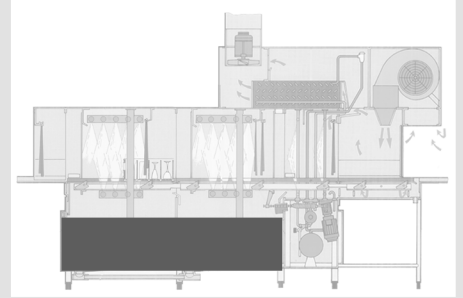




**Drain  
Vidange  
Ablauf**

**CX**

| <b>Key No</b> | <b>Part No</b>     | <b>Description</b>   |
|---------------|--------------------|--|
| 1             | 229427-1<br>153085 | Overflow Pipe - Solid Plastic<br>Overflow Pipe - Solid S/Steel |
| 2             | 230346-1           | Overflow Pipe  |
| 3             | 67500-15           | O-Ring   |
| 4             | 226558-1           | Drain Adaptor  |
| 5             | 226556             | Gasket   |
| 6             | 600573             | HT Pipe  |
| 7             | 229419             | Drain Body   |
| 8             | 229680-1           | Connecting Piece   |
| 9             | 229681-1           | End Cap  |
| 10            | 229155             | Rod Lift   |
| 11            | NUM-E-3-2          | Nut M6   |
| 12            | 229153             | Bracket  |
| 13            | 229566             | Bush   |
| 14            | 230039             | Lever  |
| 15            | 229394             | Lever  |
| 16            | 150387             | Drain Support Bracket  |





Tank Heating & Floatswitch  
Chauffage du bac & Interrupteur à Flotteur  
Tankheizung & Schwimmer-Schalter

CX

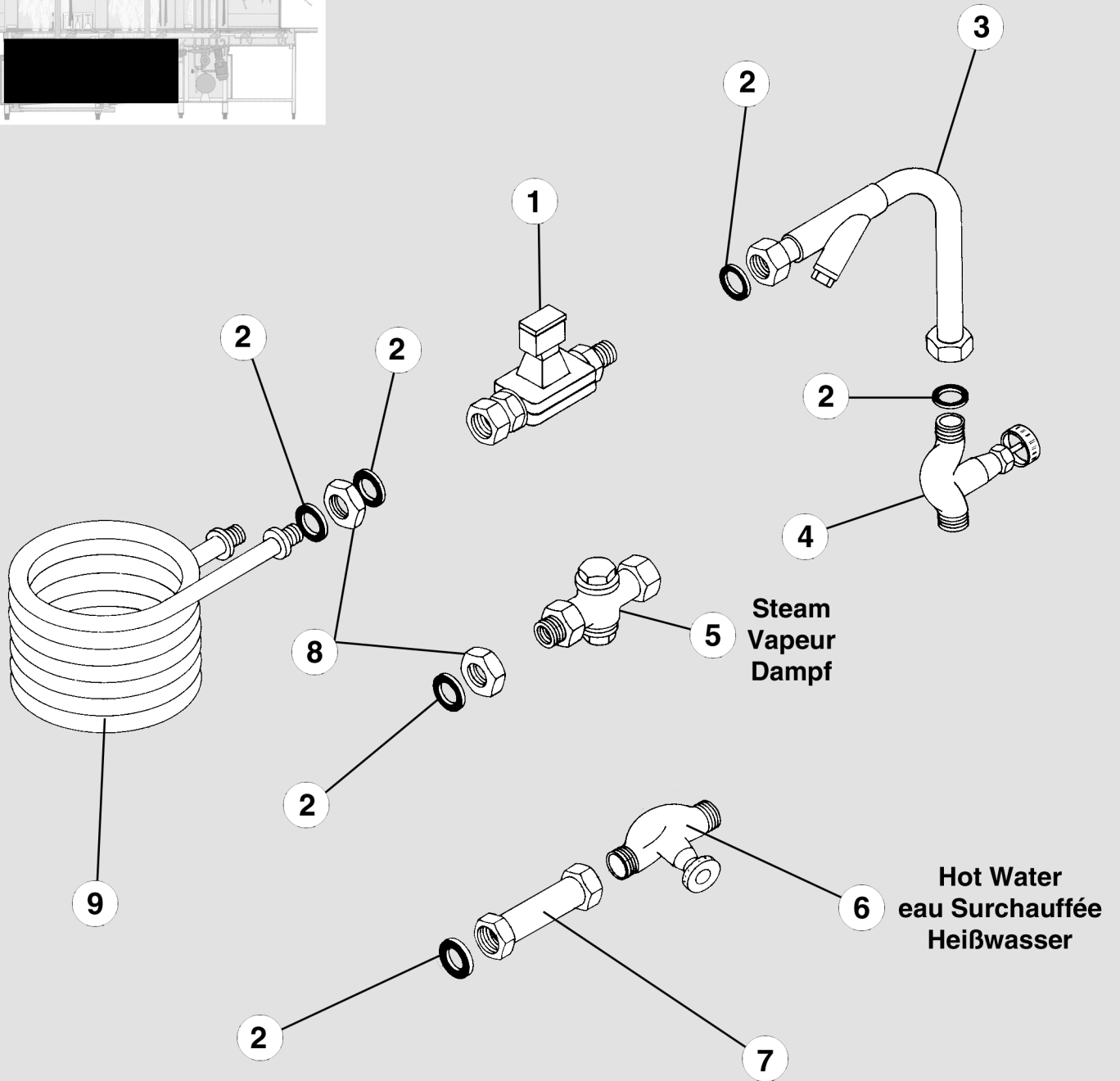
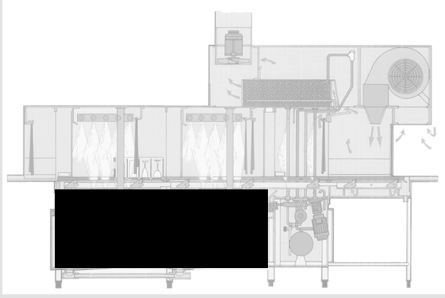
| Key No | Part No   | Description                      |
|--------|-----------|----------------------------------|
| 1      | 229514    | Cover Terminal Box               |
| 2      | 229515    | Gasket Terinal Box               |
| 3      | 229513-1  | Terminal Box                     |
| 4      | 229516    | Gasket                           |
| 5      | 300600    | Gasket                           |
| 6      | 67500-72  | O-Ring                           |
| 7      | 112467    | Retainer Float                   |
| 8      | RR-E-2-34 | Retainer Ring                    |
| 9      | 229519    | Float Switch - PTC Resistor      |
| 10     | 122674    | Float Asy                        |
| 11     | 229190    | Panel                            |
| 12     | 602292    | Washer                           |
| 13     | 602316    | Washer                           |
| 14     | 602476    | Nut                              |
| 15     | 67500-118 | O-Ring                           |
| 16     | 229148-2  | Heating Element 9kW - 240/415V   |
|        | 229148-12 | Heating Element 7.5kW - 240/415V |
|        | 229148-8  | Heating Element 6kW - 240/415V   |
|        | 229148-4  | Heating Element 12kW - 240/415V  |
|        | 229148-6  | Heating Element 12kW - 254V      |
|        | 229666    | Bridge Link                      |
| 17     | 229516    | Gasket                           |
| 18     | 229513-2  | Terminal Box                     |
|        | 229513-3  | Terminal Box ( Scrapper )        |
| 19     | 229515    | Gasket Terminal Box              |
| 20     | 229514    | Cover Terminal Box               |



Tank Heating & Floatswitch  
Chauffage du bac & Interrupteur à Flotteur  
Tankheizung & Schwimmer-Schalter

CX

| Key No | Part No    | Description   |
|--------|------------|---------------|
| 21     | LWM-E-2-2  | Lockwasher x4 |
| 22     | SCM-E-3-34 | Screw x4      |



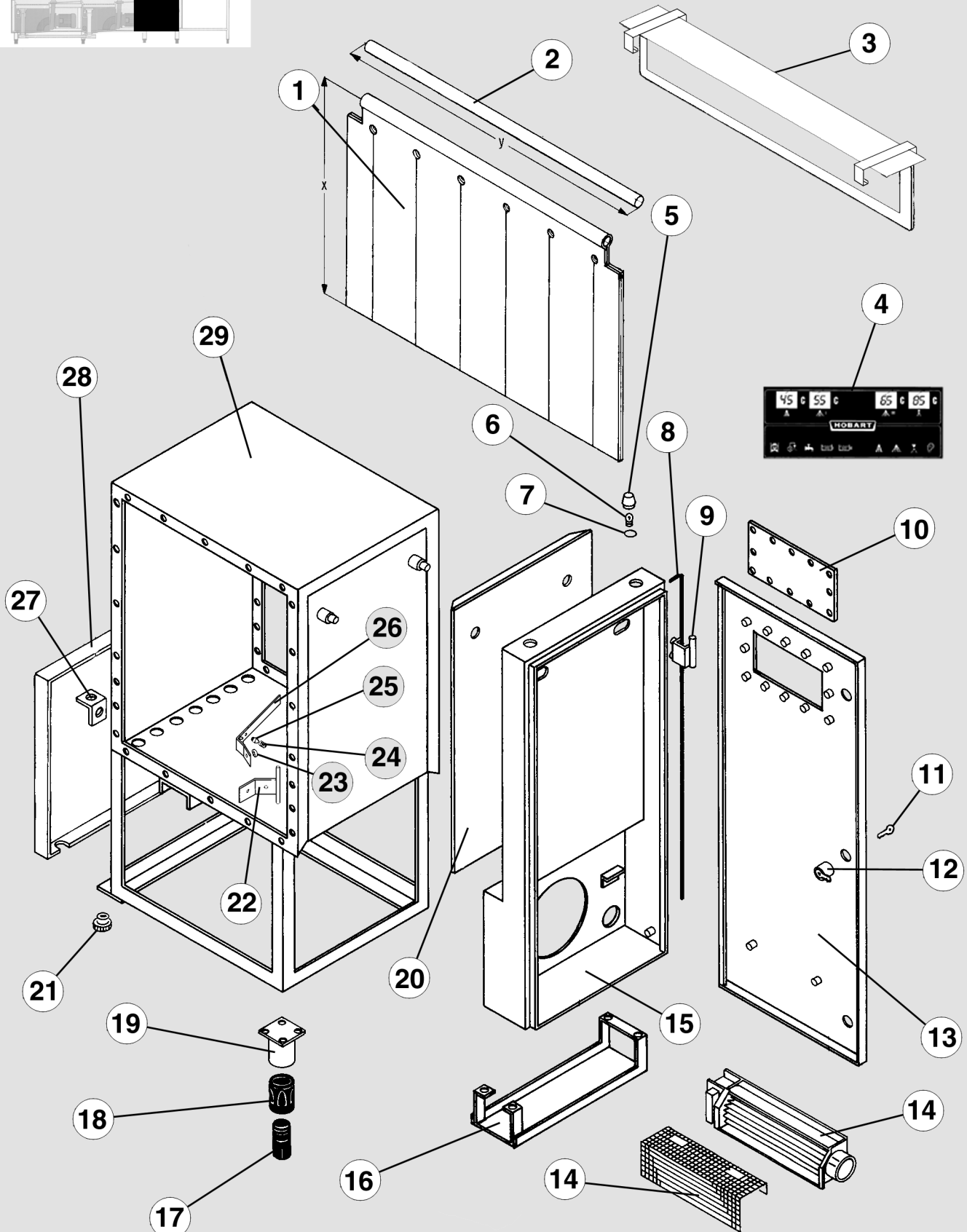
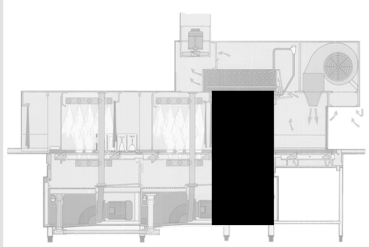


Tank Heating-Hot Water / Steam  
Chauffage du bac-eau Surchauffée / Vapeur  
Tankheizung-Heißwasser - Dampft

CX

| Key No | Part No                            | Description   |
|--------|------------------------------------|---|
| 1      | 774625-1<br>774625-11<br>774625-12 | Valve Assy - 3/4"<br>Valve Service Kit<br>Coil- Valve |
| 2      | 168611-1                           | Gasket 22mm   |
| 3      | 229664                             | Tube Assy   |
| 4      | 165828-2                           | Inlet Valve Assy                                      |
| 5      | 168704                             | Steam Trap - 3/4"                                     |
| 6      | 165828-2                           | Inlet Valve Assy                                      |
| 7      | 229665                             | Nut & Tube Assy                                       |
| 8      | 172739-3                           | Nut   |
| 9      | 229661                             | Coil - Heating - Steam                                |







Rinse Section / Control Box - PCB  
Zone de Rincage - PCB  
Klarspülzone - PCB

CX

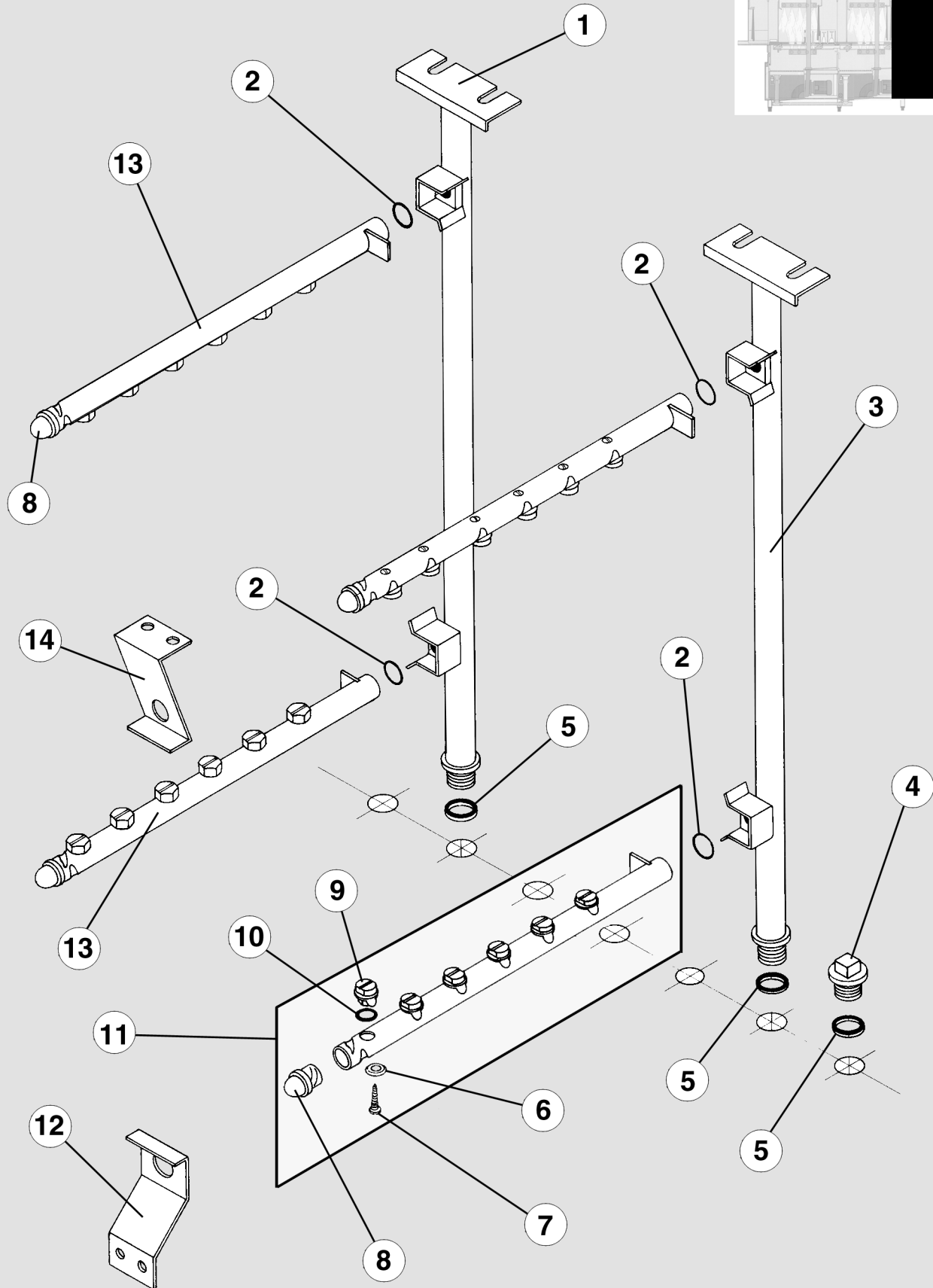
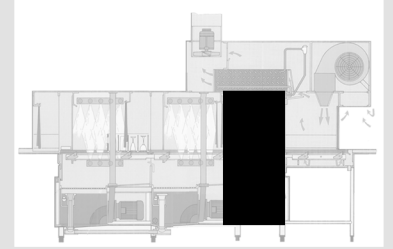
| Key No | Part No  | Description   |
|--------|--|---|
| 1      | 231602-1<br>231602-2   | Curtain - 380mm<br>Curtain - 210mm  |
| 2      | 231540-2   | Rod - Curtain   |
| 3      | 230879-1   | Curtain Baffle - Double   |
| 4      | 174951-2<br>152153<br>174951-3<br>152494<br>174951-6<br>152493 | Printed Circuit Board - 3 Displays - CXSA / CXLA<br>Key Pad - 3 Displays<br>Printed Circuit Board - 4 Displays - CXSB / CXLB<br>Key Pad - 4 Displays<br>Printed Circuit Board - 2 Displays - CXA / CX95<br>Key Pad - 2 Displays |
| 5      | 229157-3<br>229157-2   | Pilot Light - Yellow<br>Pilot Light - Green   |
| 6      | 229167-1   | Bulb  |
| 7      | 229048   | Seal  |
| 8      | 229169-1   | Door Seal   |
| 9      | 230733   | Hinge   |
| 10     | 229620   | Glass Display   |
| 11     | 229518-1   | Key - Control Box   |
| 12     | 229518-2   | Door Catch - Lock   |
| 13     | 152527   | Door - Control Box  |
| 14     | 231747-1   | Fan - Radial  |
| 15     | 230946   | Control Box - Panel   |
| 16     | 230926   | Base Panel  |
| 17     | 166066-3   | Foot - Adjustable   |
| 18     | 166067-1   | Thread Insert - Foot  |
| 19     | 229177   | Foot Bracket - Weldment   |
| 20     | 230842   | Panel   |



Rinse Section / Control Box - PCB  
Zone de Rincage - PCB  
Klarspülzone - PCB

CX

| Key No | Part No  | Description          |
|--------|----------|----------------------|
| 21     | 229525   | Nut - Knurled        |
| 22     | 230922   | Rinse Lever Pivot    |
| 23     | 166964   | Magnet               |
| 24     | 230943   | Spring - Rinse Lever |
| 25     | 230921   | Rinse Lever          |
| 26     | 230919   | Rinse Actuator Assy  |
| 27     | 230965   | Bracket              |
| 28     | 231544-3 | Panel                |
| 29     | 230839   | Chamber              |

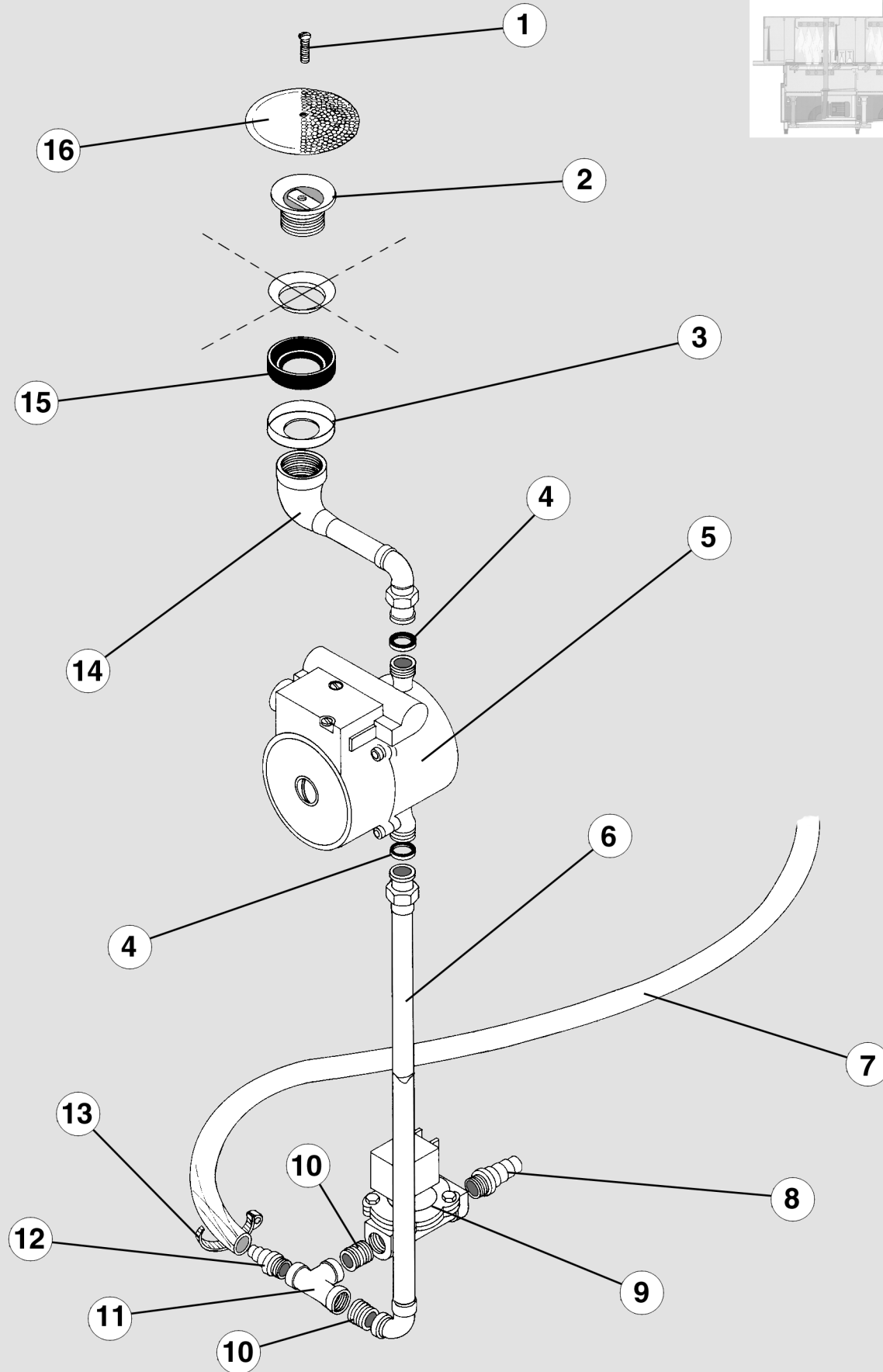
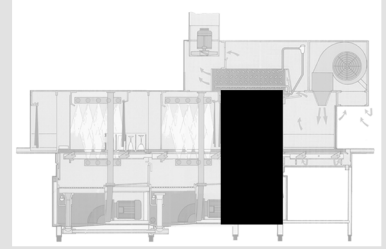




Rinse System  
Rampe de Tinçage  
Spülsystem

CX

| Key No | Part No              | Description                                      |
|--------|----------------------|--|
| 1      | 230847-2             | Tube Assy  |
| 2      | 229323               | Gasket   |
| 3      | 230847-1             | Tube Assy  |
| 4      | 603412               | Bolt   |
| 5      | 172986-11            | Gasket   |
| 6      | 173723-1             | Special Washer                                   |
| 7      | SD-E-1-32            | Drive Screw                                      |
| 8      | 229330               | Plug   |
| 9      | 226800-3<br>230536   | Rinse Nozzle - Plastic<br>Rinse Nozzle - Metal   |
| 10     | 172986-18            | O-Ring   |
| 11     | 230964-1<br>150809-1 | Final Rinse Arm Assy<br>Final Rinse Arm - 4 hole |
| 12     | 229329               | Bracket  |
| 13     | 230964               | Pre Final Rinse Arm - 6 hole                     |
| 14     | 229328               | Bracket  |

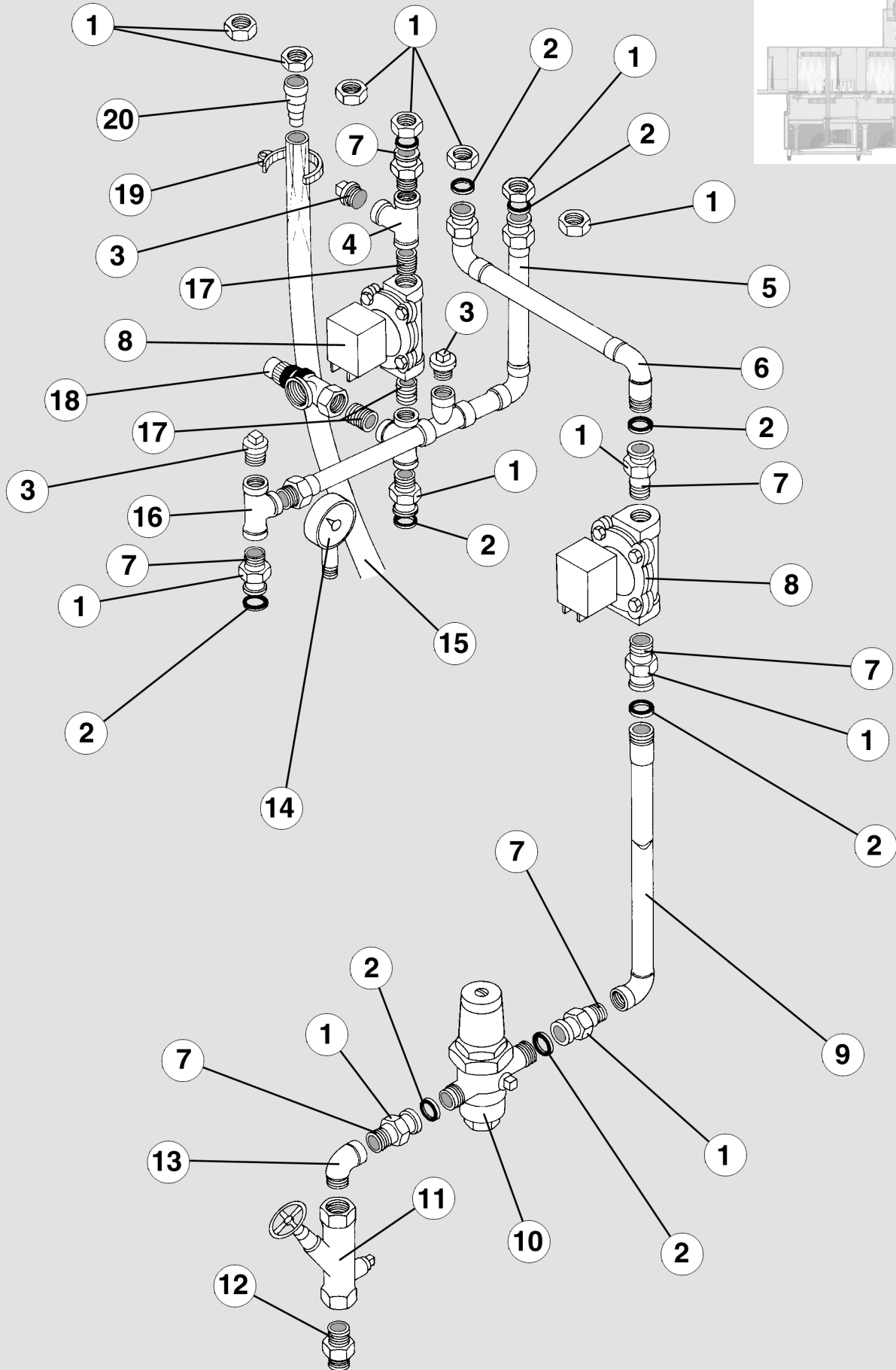




Dual Rinse Pump  
Pompe de double- Rinçage  
Duo-Spülpumpe

CX

| Key No | Part No               | Description  |
|--------|-----------------------|--|
| 1      | SCM-E-13-35           | Screw  |
| 2      | 230787                | Filter Adaptor   |
| 3      | 230788                | Seal   |
| 4      | 300084-7              | Gasket   |
| 5      | 229060-2<br>229060-10 | Pre- / Re-Circulating Rinse Pump - 3pH<br>Pre- / Re-Circulating Rinse Pump - 1pH |
| 6      | 230783                | Rinse Pipe   |
| 7      | 226994-12             | Pipe   |
| 8      | 229683-1              | Nipple   |
| 9      | 229677-1              | Soleniod Valve   |
| 10     | 602938                | Nipple   |
| 11     | 603165                | Tee  |
| 12     | 229702-1              | Hose Connection  |
| 13     | 166513-5              | Clip - Hose  |
| 14     | 230784                | Pipework Assy  |
| 15     | 226556                | Gasket   |
| 16     | 230932                | Strainer   |
| 17     | 296780-2<br>140261-8  | Final / Main Rinse Pump - Calpeda<br>Mechanical Seal                             |





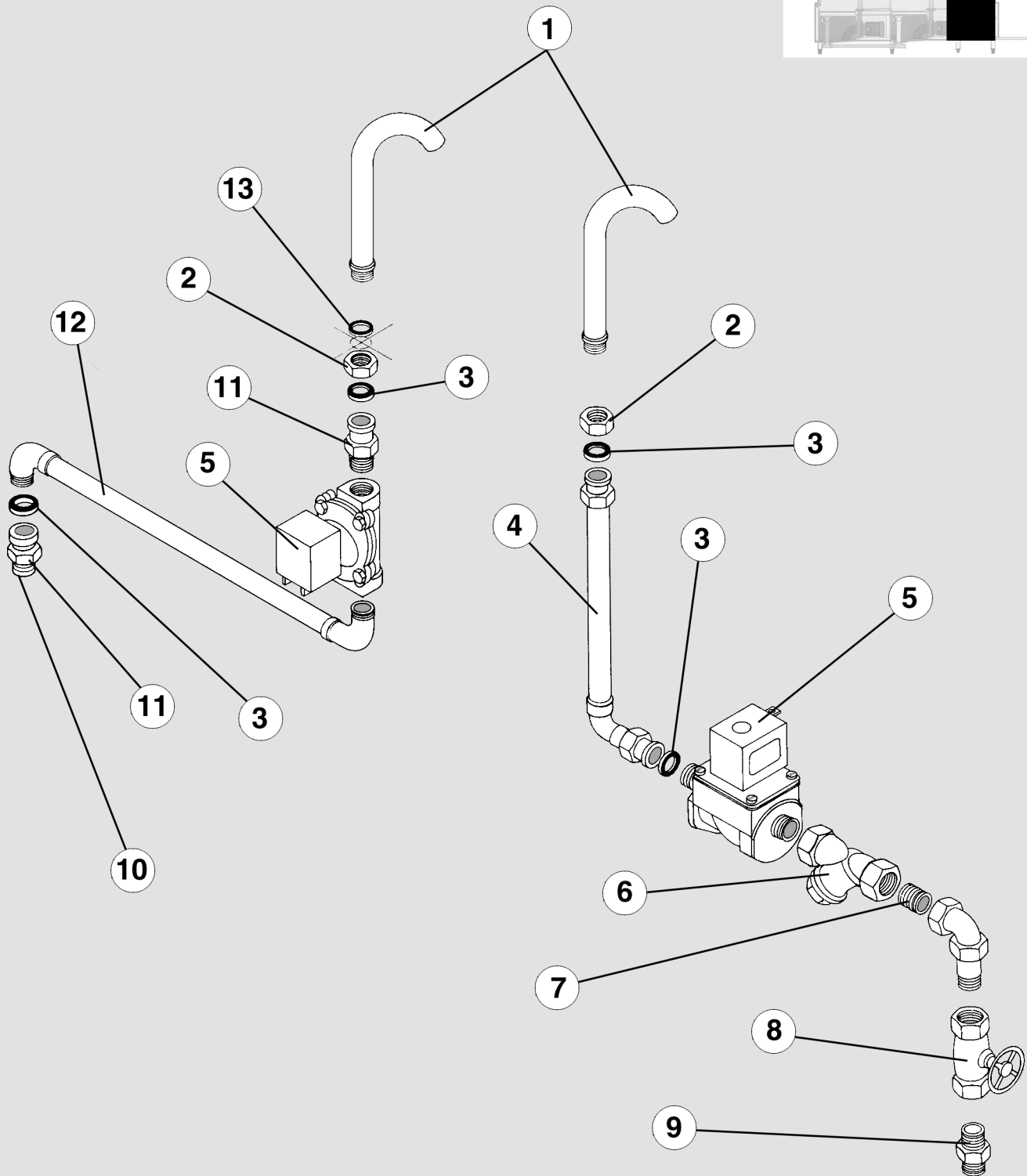
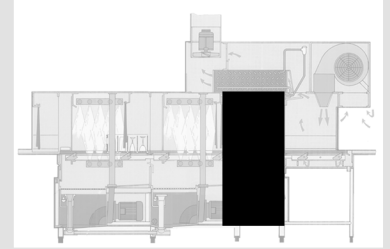


Rinse Pipework  
Tuyauterie  
Rohrleitunge

CX

| Key No | Part No   | Description           |
|--------|-----------|-----------------------|
| 1      | 602407    | Union Nut 3/4"        |
| 2      | 300084-2  | Washer                |
| 3      | 603102    | Plug                  |
| 4      | 603162    | Tee                   |
| 5      | 231588    | Pipe                  |
| 6      | 230773    | Pipe                  |
| 7      | 602402    | Union                 |
| 8      | 774624-1  | Solenoid Valve Assy   |
| 9      | 230771    | Pipe                  |
| 10     | 229110-2  | Pressure Reducer      |
| 11     | 230237-1  | Valve 1/2"            |
| 12     | 603502    | Nipple - Double 1/2"  |
| 13     | ??????    | Elbow ( 3092 - 1/2" ) |
| 14     | 229583-1  | Pressure Gauge        |
| 15     | 226994-12 | Pipe                  |
| 16     | 603162    | Tee                   |
| 17     | 602938    | Nipple                |
| 18     | 229621-1  | Valve Safety          |
| 19     | 166513-5  | Hose Clip             |
| 20     | 149070-3  | Nipple                |

NOTE: Braided Pipe / Hose is available as use on the later models  
150672-2                      Hose Braided

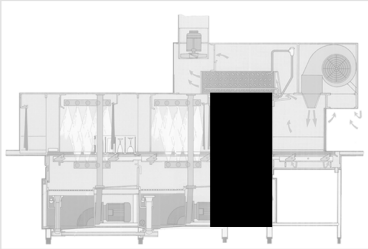




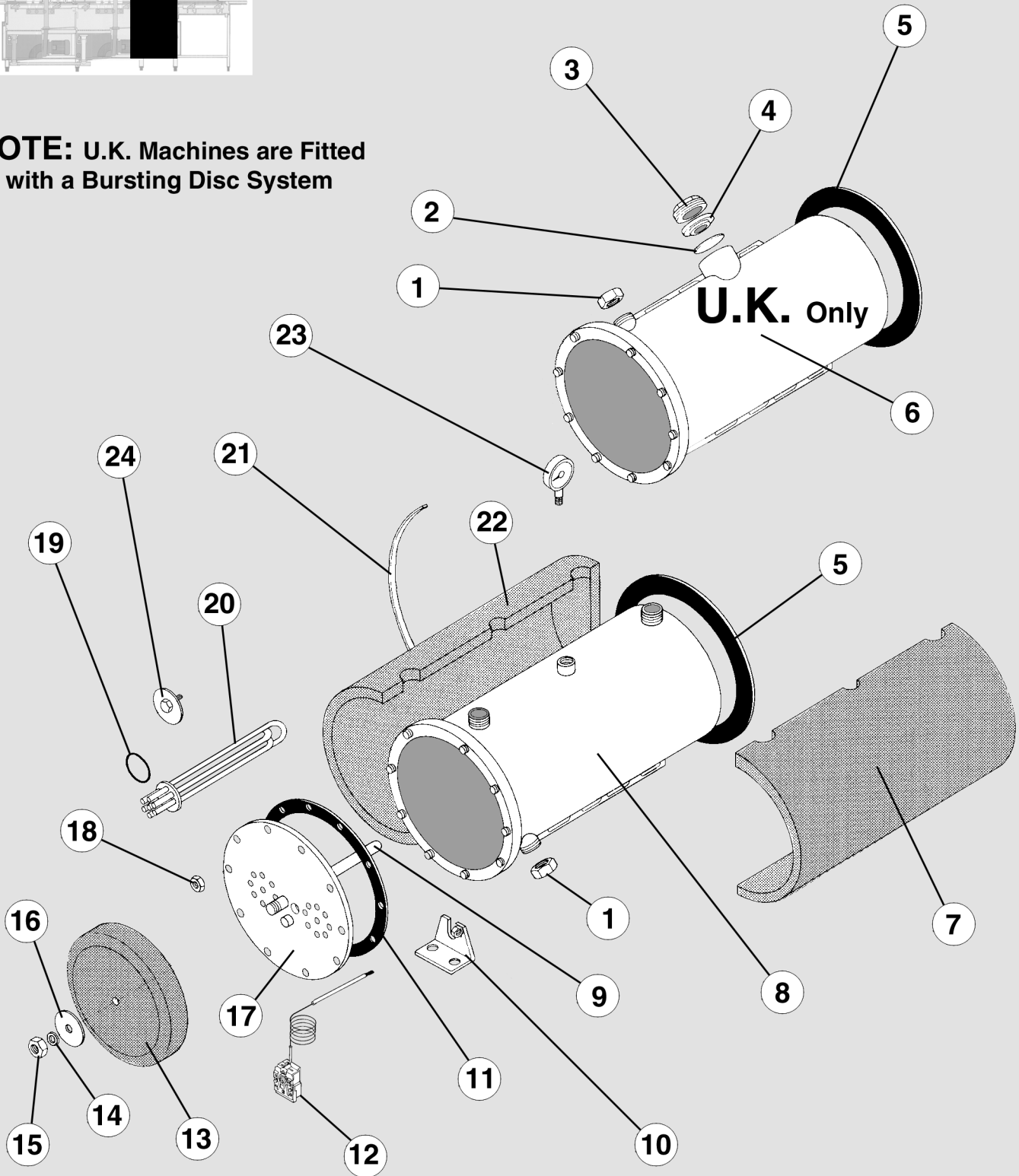
Fill Piping  
Remplissage  
Fülleitung

CX

| Key No | Part No   | Description                |
|--------|-----------|----------------------------|
| 1      | 230895    | Pipe                       |
| 2      | 172739-2  | Nut                        |
| 3      | 300084-2  | Washer                     |
| 4      | 230769    | Pipe                       |
| 5      | 774625-1  | Solenoid Valve Assy - 3/4" |
| 6      | 168682-2  | Line Strainer              |
| 7      | 602761    | Nipple                     |
| 8      | 168673-2  | Shut Off Valve - 3/4"      |
| 9      | 603521    | Nipple / Union - 3/4"      |
| 10     | 602402    | Union - 3/4"               |
| 11     | 602407    | Union Nut - 3/4"           |
| 12     | 231587    | Pipe                       |
| 13     | 168611-11 | Gasket                     |



**NOTE:** U.K. Machines are Fitted with a Bursting Disc System





Rinse Booster Heater Electric  
Chaudière Électrique  
Durchlauferhitzer Elektrisch

CX

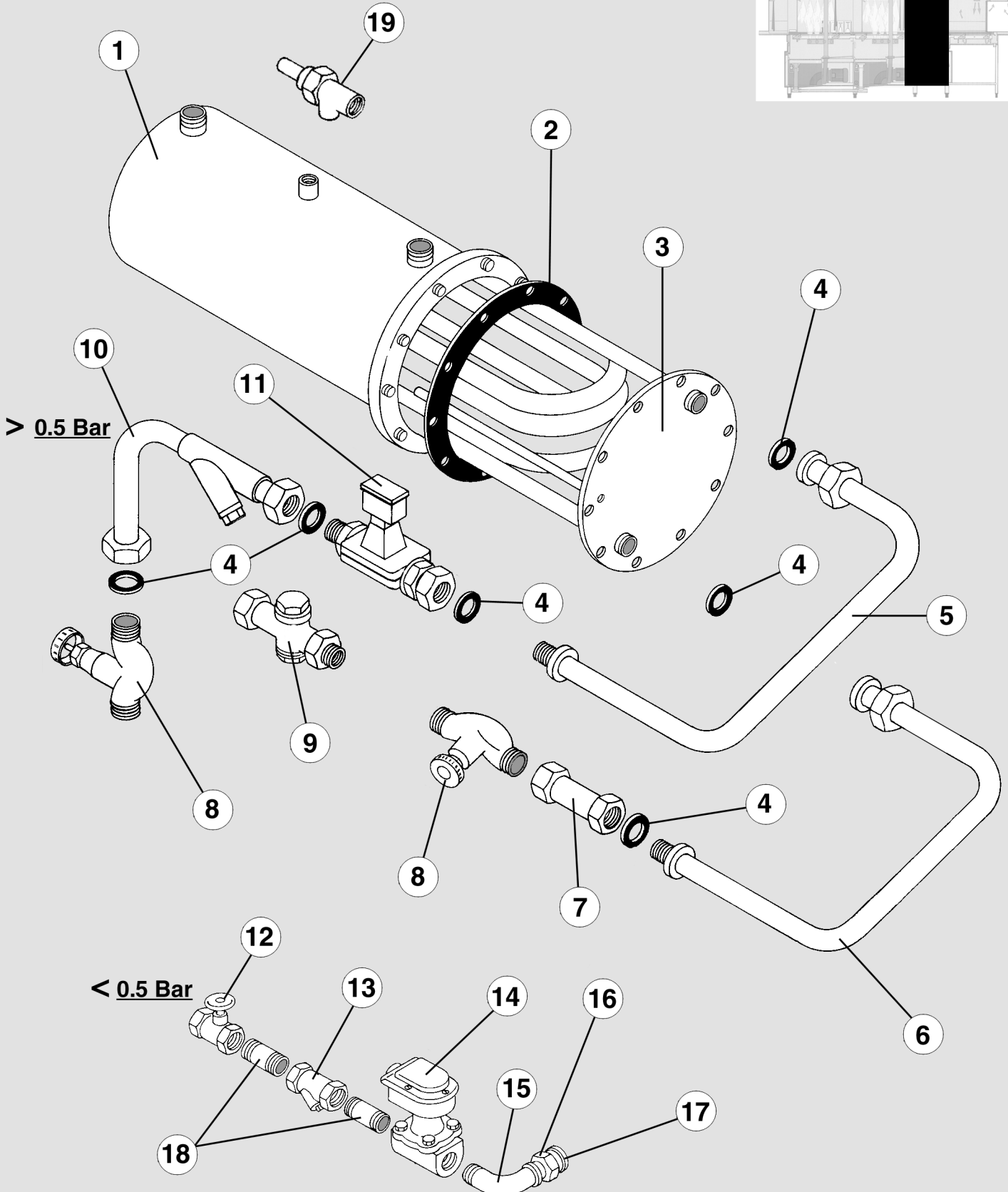
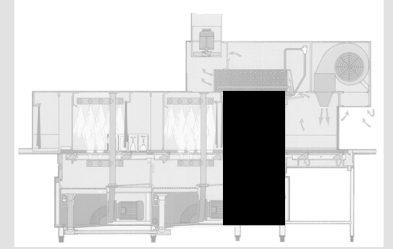
| Key No | Part No   | Description                                     |
|--------|-----------|---|
| 1      | 602794    | Nut   |
| 2      | 137146    | Bursting Disc - 3Bar @ 100°C - Booster          |
| 3      | 230036    | Nipple Disc - Booster                           |
| 4      | 230035    | Support Disc - Booster                          |
| 5      | 229489    | Gasket  |
| 6      | 230779    | Cylinder - Booster - <u>U.K. ONLY</u>           |
| 7      | 231577    | Insulation - Booster                            |
| 8      | 230869    | Cylinder - Booster - Export Only                |
| 9      | 378584    | Probe / Thermister - PTC Resistor               |
| 10     | 230873    | Bracket Assy                                    |
| 11     | 230994    | Gasket (10 hole)                                |
| 12     | 227879    | High Limit Thermostat                           |
| 13     | 229491    | Lagging Jacket - Front                          |
| 14     | LWM-E-3-1 | Lockwasher                                      |
| 15     | NUM-E-3-2 | Nut   |
| 16     | 228694-4  | Cover   |
| 17     | 300692-1  | Header Plate - 18kW ( x2 Elements )             |
|        | 300692-2  | Header Plate - 27kW ( x3 Elements )             |
|        | 300692-3  | Header Plate - 36kW ( x4 Elements )             |
| 18     | 602492    | Nut   |
| 19     | 67500-118 | O-Ring - Elements & Blanking Plate              |
| 20     | 229148-2  | Heating Element - 9kW 240/415 - <u>STD U.K.</u> |
|        | 229148-1  | Heating Element - 9kW 220/380                   |
|        | 229148-3  | Heating Element - 12kW 230                      |
|        | 229148-4  | Heating Element - 12kW 240/415                  |
|        | 229148-5  | Heating Element - 9kW 254                       |
|        | 229148-6  | Heating Element - 12kW 254                      |
|        | 229148-8  | Heating Element - 6kW 240/415                   |
|        | 229148-62 | Heating Element - 9kW 230                       |



Rinse Booster Heater Electric  
Chaudière Électrique  
Durchlauferhitzer Elektrisch

**CX**

| Key No | Part No  | Description                      |
|--------|----------|----------------------------------|
| 21     | 169139-3 | Clamp                            |
| 22     | 231578   | Insulation                       |
| 23     | 229583-1 | Pressure Gauge                   |
| 24     | 229585   | Blanking Plate - Heater Elements |



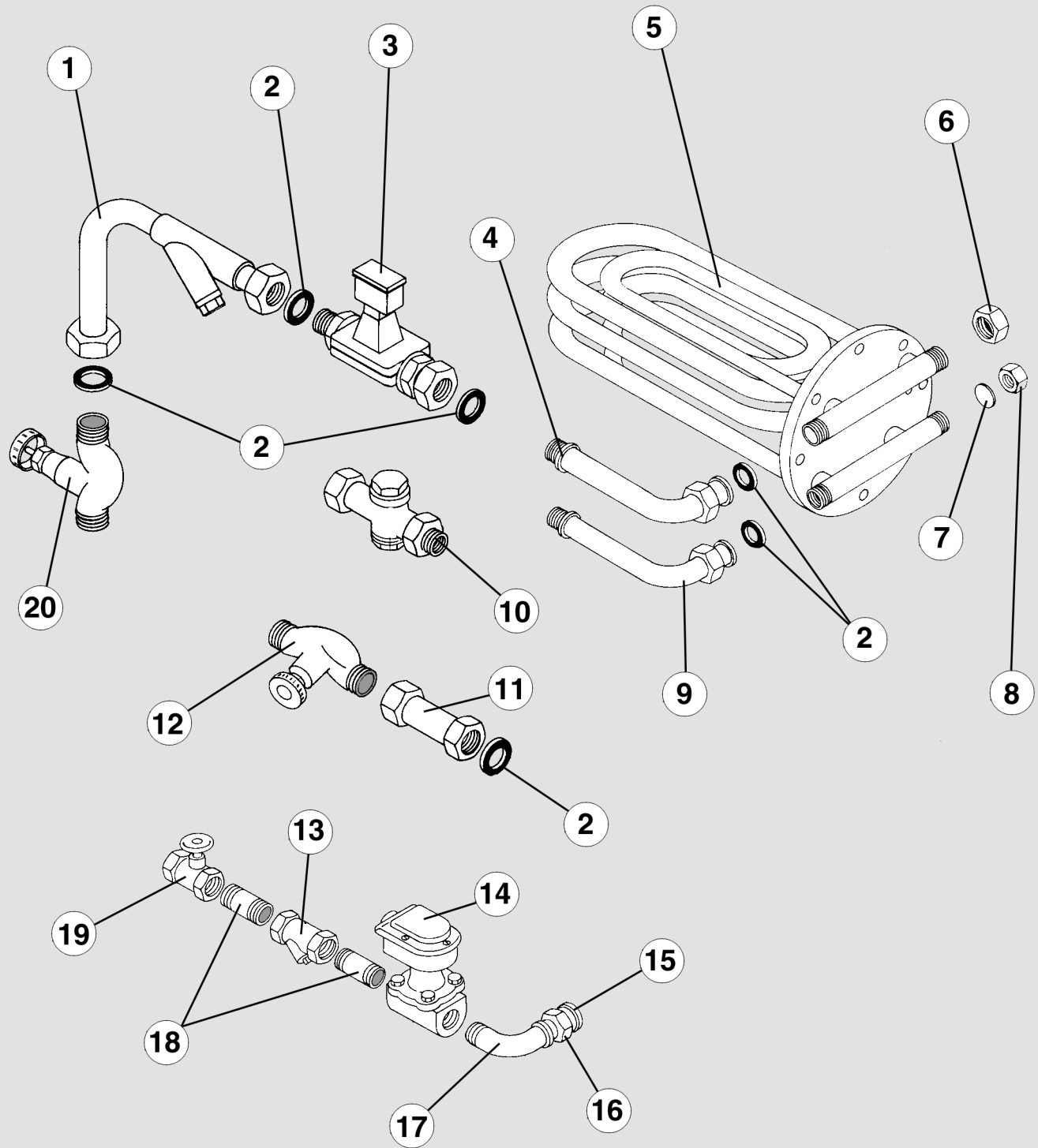
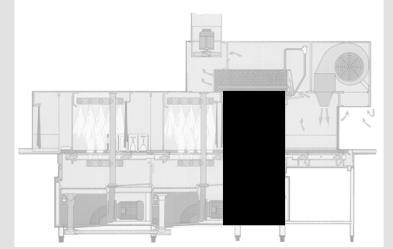


**Rinse Booster Heater - Hot Water / Steam**  
**Chaudière - eau Surchauffée / Vapeur 0.5m<sup>2</sup>**  
**Durchlauferhitzer - Heißwasser / Dampf**

**CX**

| Key No | Part No               | Description                                     |
|--------|-----------------------|---|
| 1      | 230779<br>230869      | Cylinder U.K Only<br>Cylinder Export only       |
| 2      | 230994                | Gasket  |
| 3      | 230979                | Heating Coil 0.5m <sup>2</sup>                  |
| 4      | 168611-1              | Gasket  |
| 5      | 229713-2              | Pipe Assy                                       |
| 6      | 229713-1              | Pipe Assy                                       |
| 7      | 229665                | Nut & Tube Assy                                 |
| 8      | 165828-2              | Inlet Valve Assy                                |
| 9      | 168704                | Steam Trap 3/4"                                 |
| 10     | 229664                | Tube Assy                                       |
| 11     | 168785-2<br>168785-10 | Solenoid Valve 3/4" Steam<br>Solenoid Valve Kit |
| 12     | 169757                | Gate  |
| 13     | 168756-4              | Line Strainer                                   |
| 14     | 774624-1<br>774624-11 | Solenoid Valve 1/2"<br>Solenoid Valve Kit       |
| 15     | 603023                | Elbow   |
| 16     | 602338                | Union   |
| 17     | 603364                | Flange  |
| 18     | 603414                | Nipple  |
| 19     | 229621-1              | Safety Valve                                    |



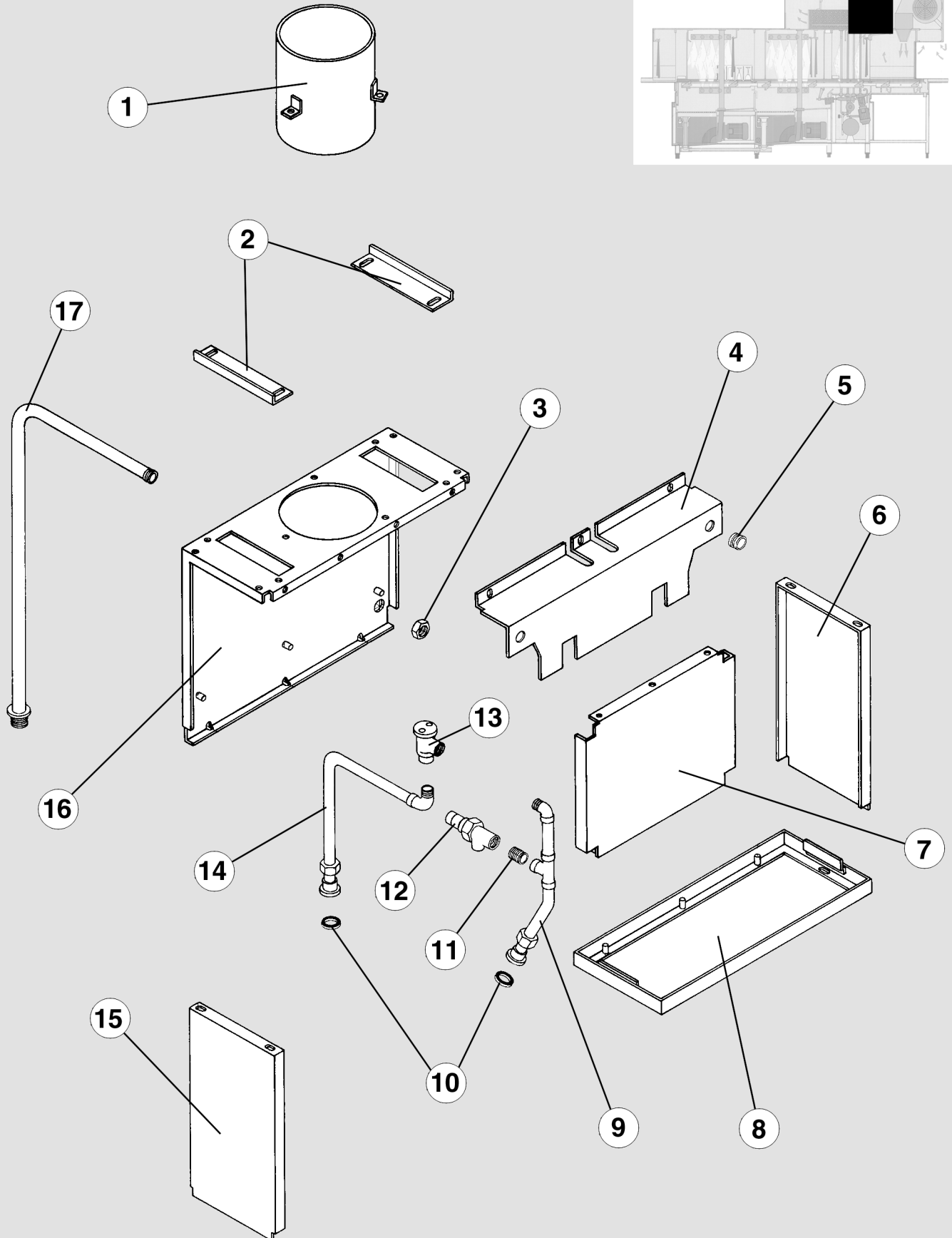




Rinse Booster Heater - Hot Water / Steam  
Chaudière - eau Surchauffée / Vapeur 0.9m<sup>2</sup>  
Durchlauferhitzer - Heißwasser / Dampf

CX

| Key No | Part No               | Description                                       |
|--------|-----------------------|---|
| 1      | 229664                | Tube Assy   |
| 2      | 168611-1              | Gasket  |
| 3      | 168785-2<br>168785-10 | Solenoid Valve 3/4" - Steam<br>Solenoid Valve Kit |
| 4      | 229725                | Pipework Assy                                     |
| 5      | 230980                | Heating Coil - 0.9m <sup>2</sup>                  |
| 6      | 300556                | Cap   |
| 7      | 231598                | Disc  |
| 8      | 168610-1              | Union Nut   |
| 9      | 229726                | Pipework  |
| 10     | 168704                | Steam Trap - 3/4"                                 |
| 11     | 229665                | Nut & Tube Assy                                   |
| 12     | 165828                | Valve   |
| 13     | 168756-4              | Line Strainer                                     |
| 14     | 774624-1<br>774624-11 | Solenoid Valve Assy - 1/2"<br>Solenoid Valve Kit  |
| 15     | 603364                | Flange  |
| 16     | 602338                | Union   |
| 17     | 603023                | Elbow   |
| 18     | 603414                | Nipple  |
| 19     | 169757                | Gate  |

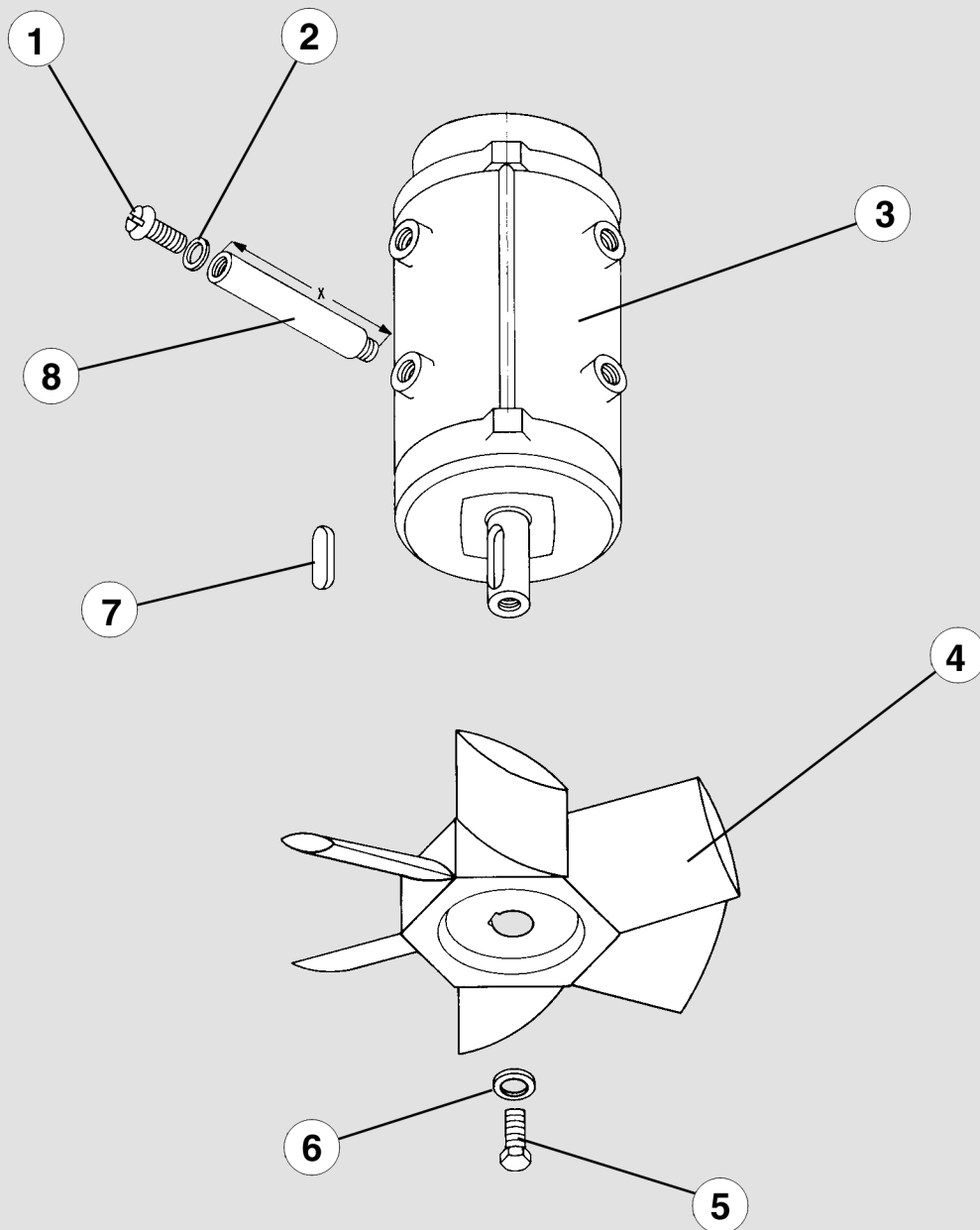
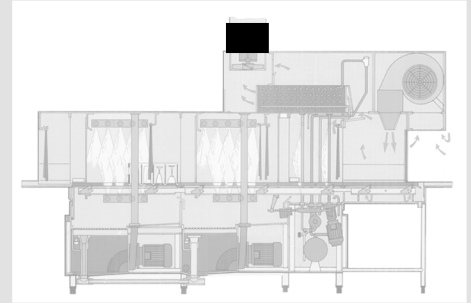




Vent Hood  
Capot d'extraction  
Absaughaube

CX

| Key No | Part No  | Description                |
|--------|----------|----------------------------|
| 1      | 231832   | Tube Assy                  |
| 2      | 231862   | Bracket - Tube Assy        |
| 3      | 169045-1 | Locknut                    |
| 4      | 231837   | Bracket                    |
| 5      | 227748-1 | Sleeve - Cable Protection  |
| 6      | 229440-7 | Plate                      |
| 7      | 230856   | Plate                      |
| 8      | 231794   | Plate                      |
| 9      | 230909   | Pipe Assy                  |
| 10     | 300084-2 | Gasket - 24mm od - 17mm id |
| 11     | 602061   | Nipple                     |
| 12     | 229621-1 | Safety Valve               |
| 13     | 146669-1 | Vacuum Breaker 1/2"        |
| 14     | 231580   | Pipe Assy                  |
| 15     | 229440-7 | Plate                      |
| 16     | 231836   | Plate Assy                 |
| 17     | 231830   | Pipe Assy                  |

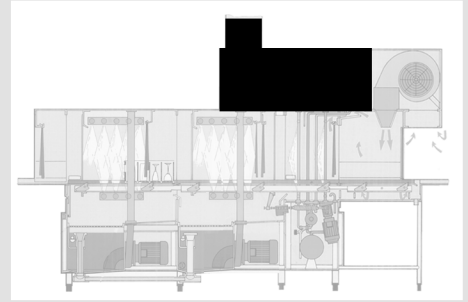
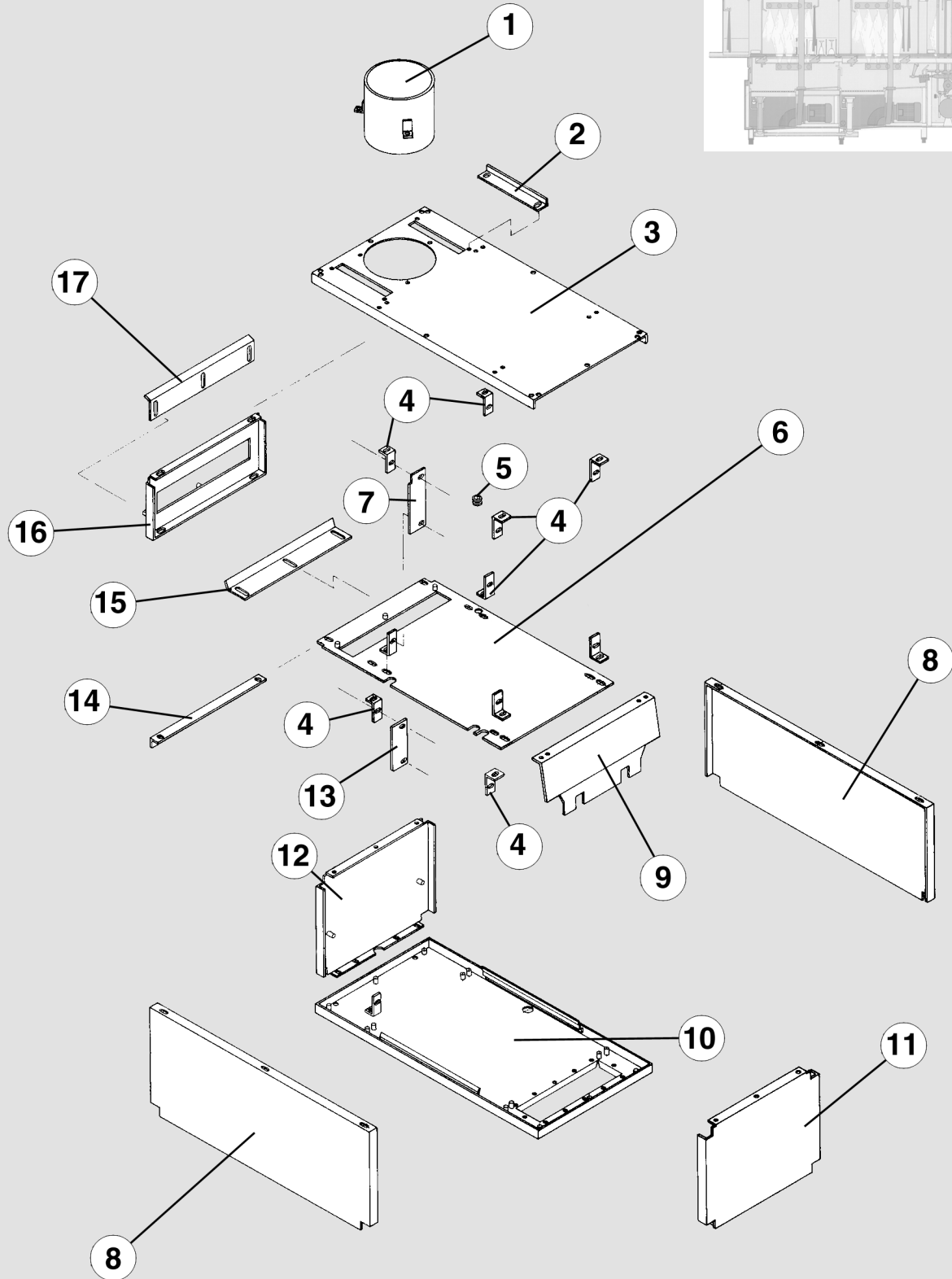




Exhaust Extraction - Fan  
Extraction des Buées - Ventilateur  
Wrasenabzug - Ventilator

CX

| Key No | Part No              | Description   |
|--------|----------------------|---|
| 1      | 602660               | Screw M6  |
| 2      | 602286               | Locksher  |
| 3      | 145075-6<br>145075-4 | Motor - 240/415V - 50Hz - UK<br>Motor - 480V - 60Hz - Export<br>NOTE: Original Motor has been superseded. |
| 4      | 38933-9<br>38933-2   | Fan Blade 236mm - 50Hz<br>Fan Blade 236mm - 60Hz  |
|        | 38933-10<br>38933-11 | Fan Blade 296mm - 50Hz<br>Fan Blade 296mm - 60Hz  |
| 5      | 602570               | Screw / Bolt  |
| 6      | 602286               | Lockwasher  |
| 7      | PK-E-2-38            | Key   |
| 8      | 38934-1<br>38934-2   | Stud - 62mm<br>Stud - 94mm  |



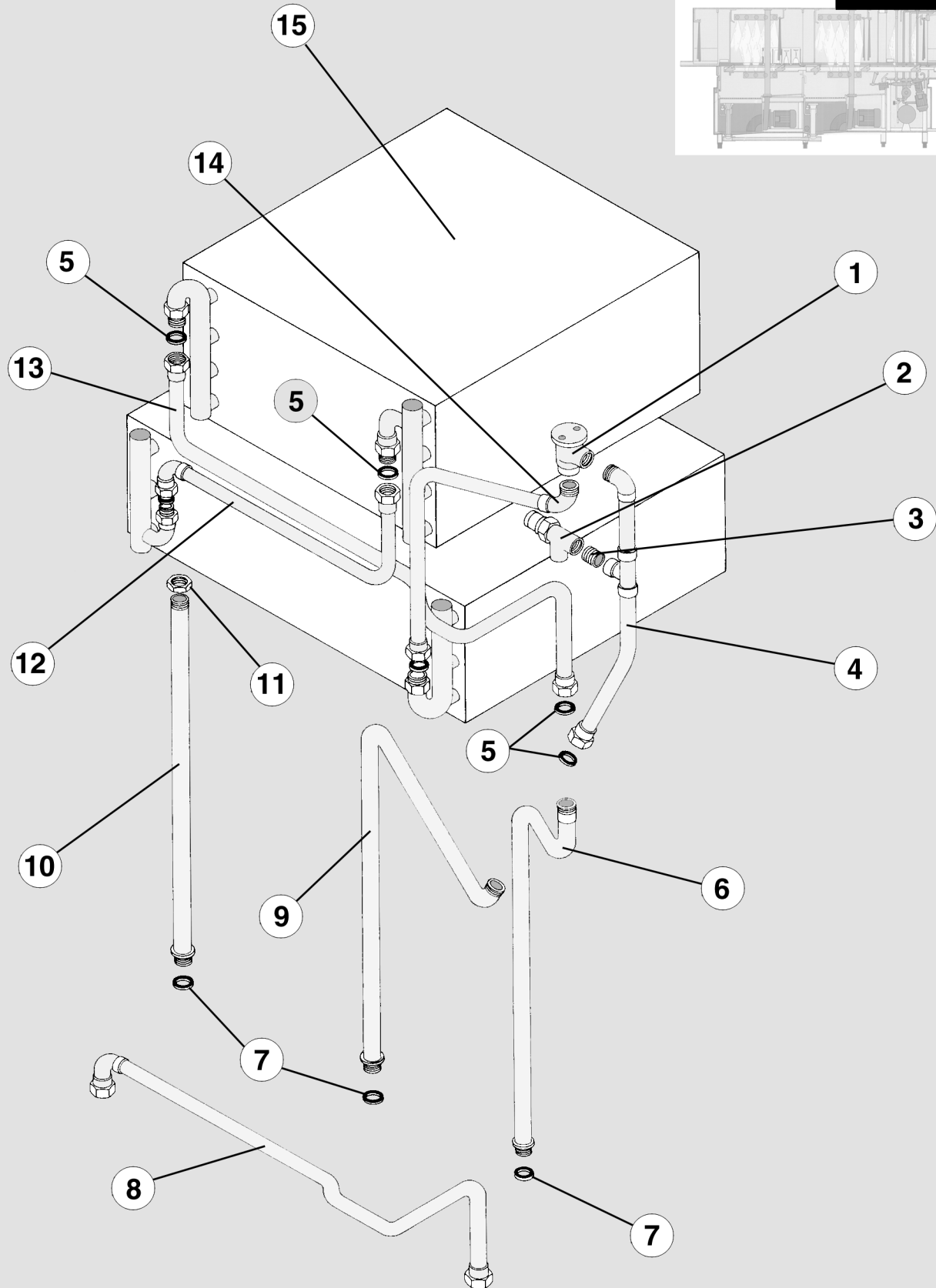


Condenser Housing  
Condenseur Habillage  
Kondensator Gehäuse

CX

| Key No | Part No  | Description               |
|--------|----------|---------------------------|
| 1      | 229438   | Tube Assy                 |
| 2      | 228336   | Bracket                   |
| 3      | 230854   | Plate                     |
| 4      | 229432   | Bracket                   |
| 5      | 227748-1 | Sleeve - Cable Protection |
| 6      | 231849   | Plate Assy                |
| 7      | 230858-2 | Bracket                   |
| 8      | 229440-2 | Panel                     |
| 9      | 230956   | Bracket                   |
| 10     | 230851   | Plate Assy                |
| 11     | 230856   | Plate                     |
| 12     | 231841   | Plate Assy                |
| 13     | 230858-1 | Bracket                   |
| 14     | 231839   | Bracket                   |
| 15     | 230881   | Panel                     |
| 16     | 230963   | Plate                     |
| 17     | 230881   | Panel                     |



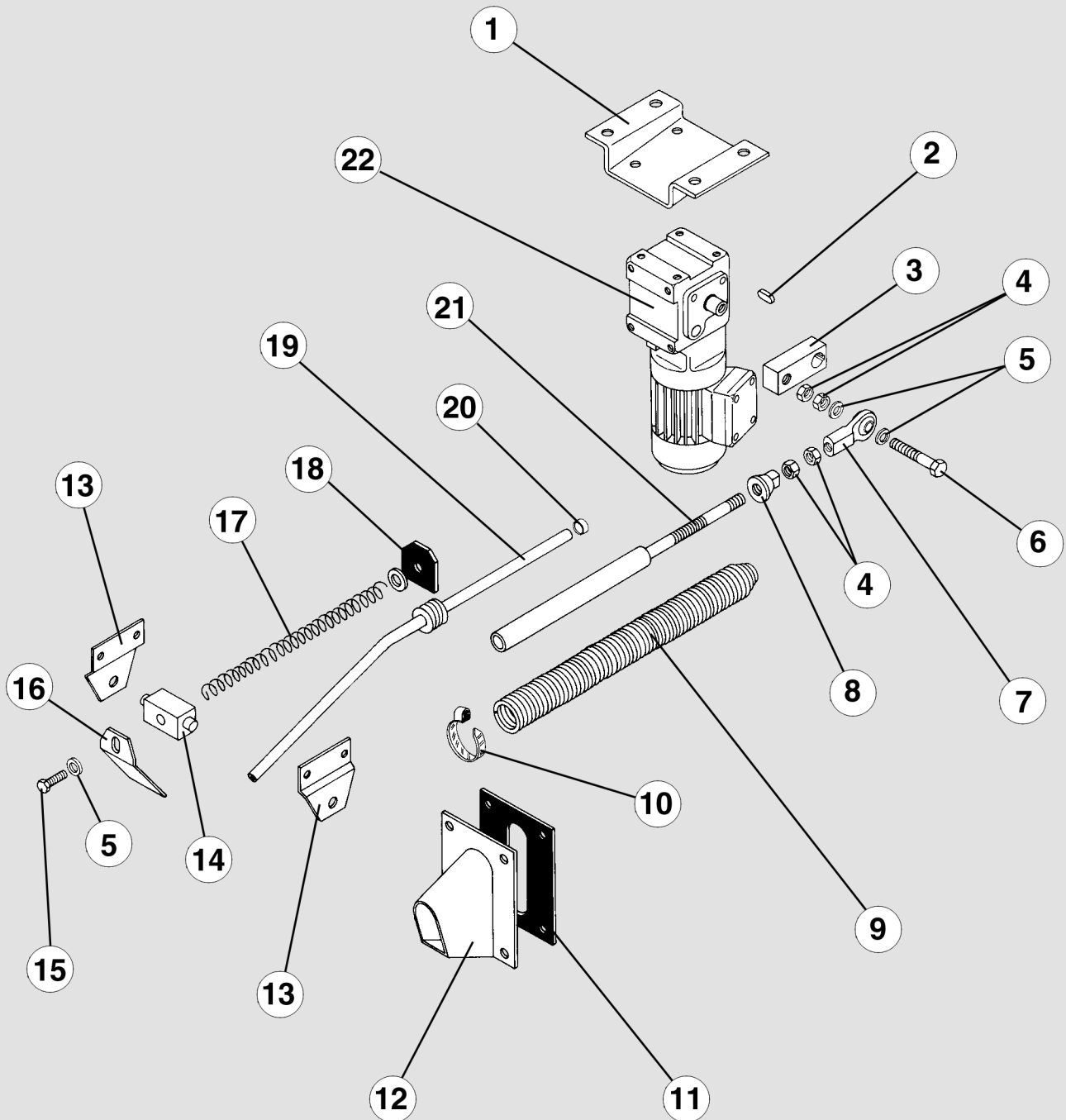
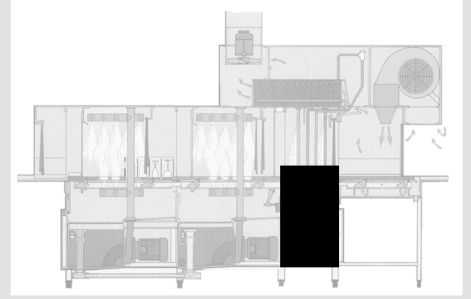




Condensers  
Condenseurs  
Kondensatoren

CX

| Key No | Part No              | Description                                  |
|--------|----------------------|--|
| 1      | 146669-1             | Vaccum Breaker 1/2"                          |
| 2      | 229621-1             | Safty Valve                                  |
| 3      | 602760               | Nipple                                       |
| 4      | 230909               | Pipe Assy                                    |
| 5      | 300084-2             | Washer                                       |
| 6      | 230843-2             | Pipe Assy                                    |
| 7      | 168611-11            | Gasket                                       |
| 8      | 230906-1<br>230906-2 | Pipe Assy - C5 - L/R<br>Pipe Assy - C5 - R/L |
| 9      | 230843-1             | Pipe Assy                                    |
| 10     | 230891               | Pipe Assy                                    |
| 11     | 169045-1             | Locknut                                      |
| 12     | 230908               | Pipe Assy                                    |
| 13     | 230903-1<br>230903-2 | Pipe Assy - C6 - L/R<br>Pipe Assy - C6 - R/L |
| 14     | 230907               | Pipe Assy                                    |
| 15     | 229377-1             | Chamber                                      |

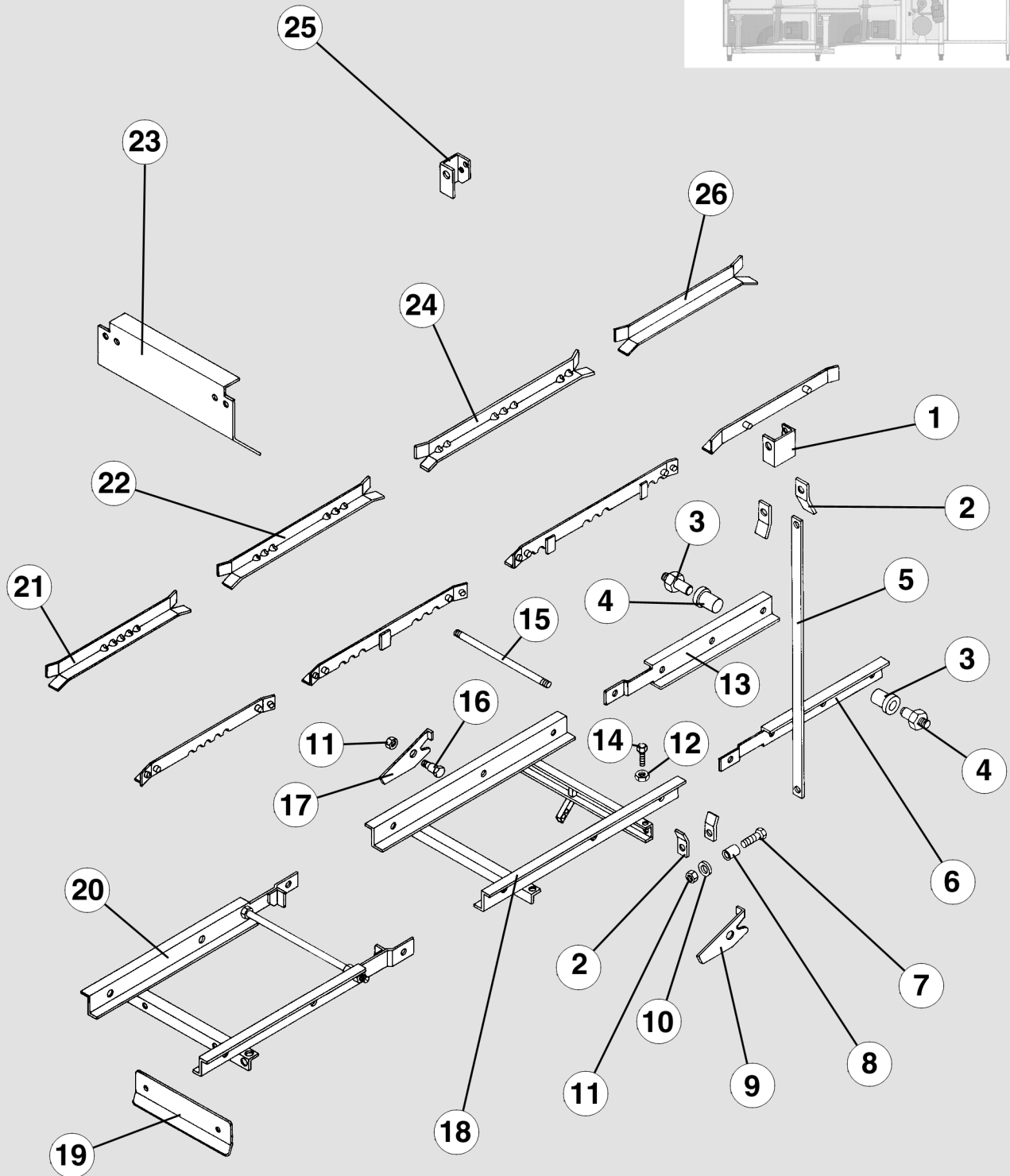
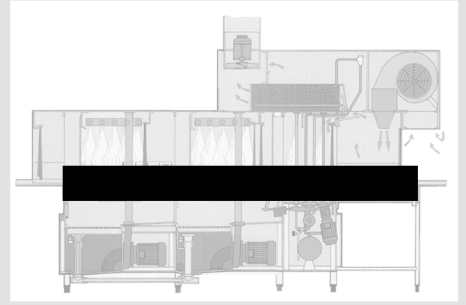




Drive Unit  
Entrainement  
Antrieb

CX

| Key No  | Part No          | Description                      |
|---------|------------------|----------------------------------|
| 1       | 230890           | Bracket                          |
| 2       | PK-E-2-43        | Key                              |
| 3       | 230827           | Block                            |
| 4       | 602492           | Nut M8                           |
| 5       | 602287           | Washer 8.4mm                     |
| 6       | SCM-E-17-5       | Bolt M12                         |
| 7       | 232815-1         | Joint - Ball & Socket            |
| 8       | 230830           | Nut - Special                    |
| 9       | 231682<br>230741 | Spring - 135mm<br>Spring - 155mm |
| 10      | 166513-5         | Hose Clip                        |
| 11      | 230900           | Gasket Seal                      |
| 12      | 230897           | Cowling                          |
| 13      | 150589           | Plate                            |
| 14      | 230829           | Block                            |
| 15      | 602575           | Screw M8 x 12                    |
| 16      | 230824           | Adjusting Plate                  |
| 17      | 227873-8         | Spring                           |
| 18      | 231607           | Gasket                           |
| 19      | 231749           | Link Rod                         |
| 20      | 232588-6         | Plug                             |
| 21      | 230819           | Guide Assy                       |
| 22      | 230967-1         | Motor & Gearbox - 90 racks/hour  |
|         | 230967-3         | Motor & Gearbox - 150 racks/hour |
|         | 230967-5         | Motor & Gearbox - 220 racks/hour |
| NB..... | 230967-29        | Two Speed Conveyor Motor         |





Conveyor & Tracks  
Berceauch & Rails  
Schwingrahmen & Laufschienen

CX

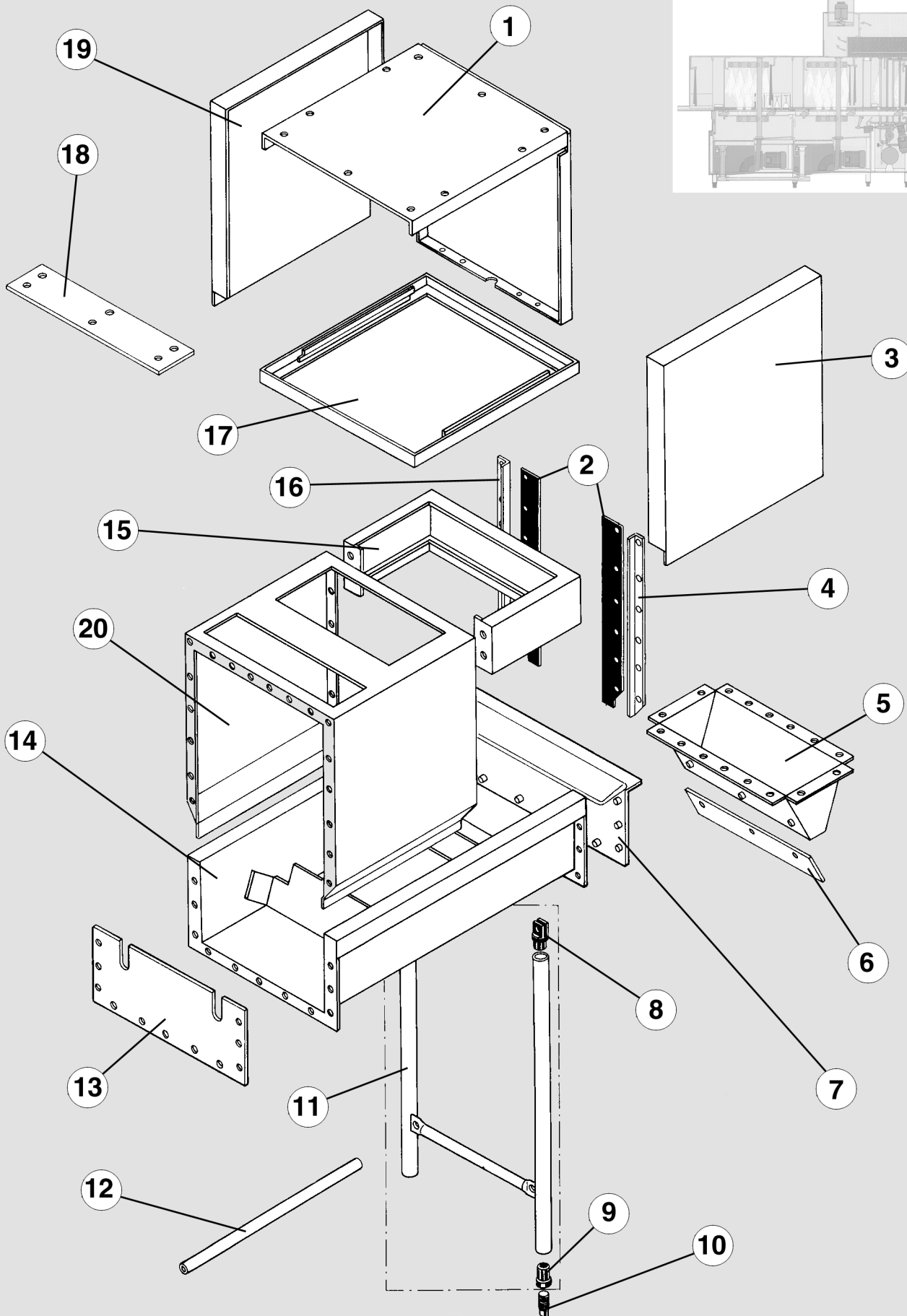
| Key No | Part No     | Description               |
|--------|-------------|---------------------------|
| 1      | 230884-1    | Bracket                   |
| 2      | 11545       | Support Suspension Strip  |
| 3      | 168827      | Roller                    |
| 4      | 230780      | Nut - Special             |
| 5      | 11564-98    | Strip - Cradle Suspension |
| 6      | 230886-9    | Rail R/H                  |
|        | 150721-2    | Rail R/H - 400mm          |
|        | 150721-4    | Rail R/H - 600mm          |
|        | 150721-6    | Rail R/H - 800mm          |
| 7      | SCM-E-14-35 | Screw                     |
| 8      | 65706       | Spacer                    |
| 9      | 231547      | Dog                       |
| 10     | 602287      | Washer                    |
| 11     | 602492      | Nut                       |
| 12     | NUM-E-3-2   | Nut                       |
| 13     | 230886-10   | Rail                      |
|        | 150721-1    | Rail L/H - 400mm          |
|        | 150721-3    | Rail L/H - 600mm          |
|        | 150721-5    | Rail L/H - 800mm          |
| 14     | 602570      | Screw                     |
| 15     | 230889      | Rod                       |
| 16     | 231525      | Special Screw             |
| 17     | 231548      | Dog                       |
| 18     | 230887      | Runner                    |
| 19     | 231840      | Baffle Plate              |
| 20     | 230888-1    | Runner - 965mm            |
|        | 230888-2    | Runner - 665mm            |



Conveyor & Tracks  
Berceauch & Rails  
Schwingrahmen & Laufschiene

CX

| Key No | Part No  | Description |
|--------|----------|-------------|
| 21     | 231521   | Bracket     |
| 22     | 231567   | Bracket     |
| 23     | 230883   | Bracket     |
| 24     | 231520   | Bracket     |
| 25     | 230884-2 | Bracket     |
| 26     | 231817-3 | Bracket     |
|        | 150723-1 | 400mm       |
|        | 150723-2 | 600mm       |
|        | 150723-3 | 800mm       |



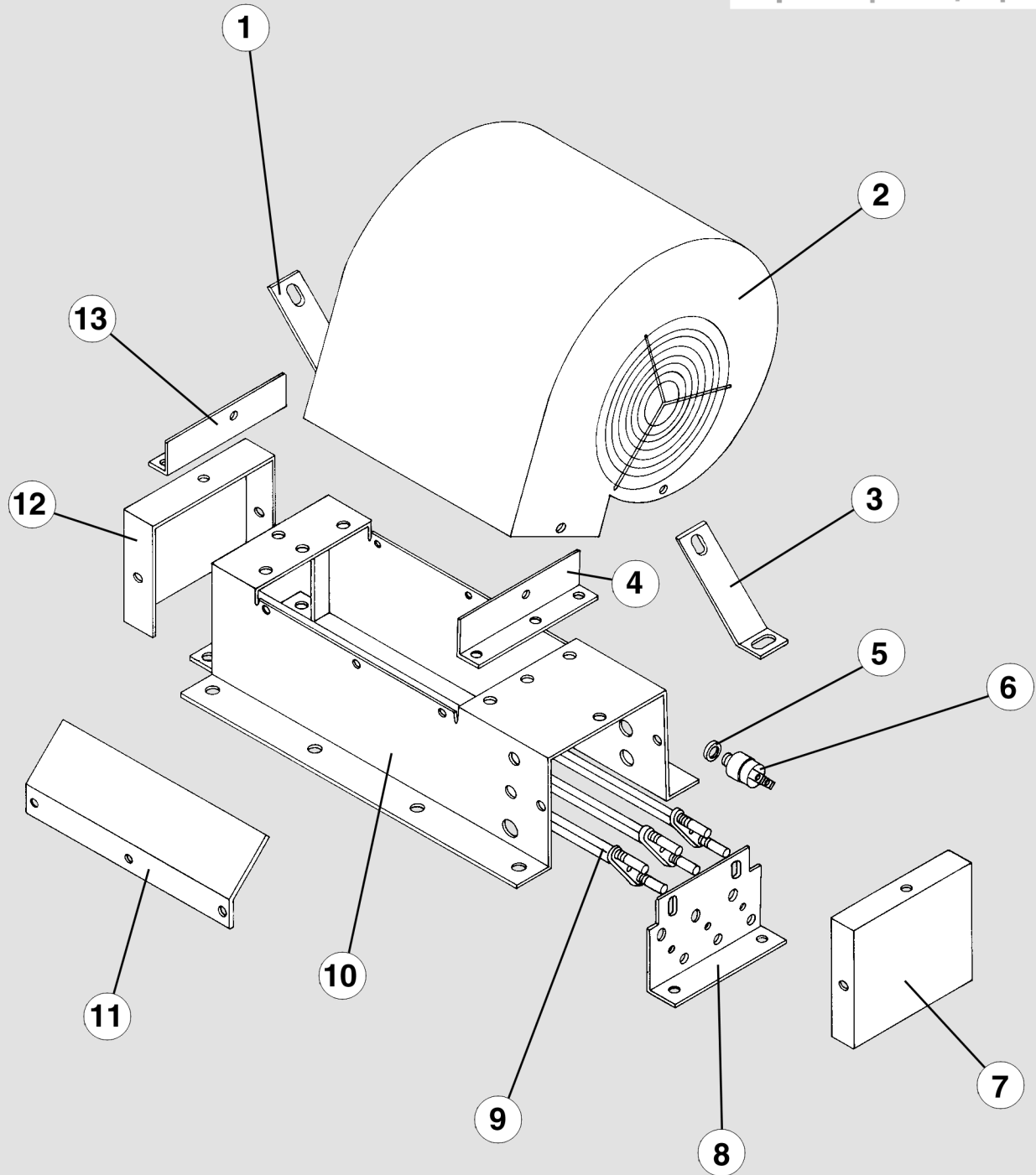
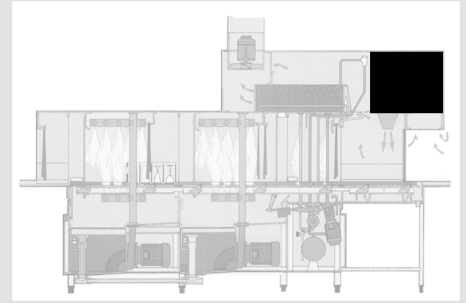




Drier Section  
Zone de Séchage  
Trockenzone

CX

| Key No | Part No   | Description                         |
|--------|-----------|-------------------------------------|
| 1      | 230861    | Plate                               |
| 2      | 230970    | Spray Guard                         |
| 3      | 229440-4  | Plate                               |
| 4      | 230969-1  | Bracket                             |
| 5      | 230864    | Vent                                |
| 6      | 231711    | Gasket                              |
| 7      | 230933-1  | Plate Assy                          |
| 8      | 144636-2  | Water Inlet Hose 3/4 BSP            |
| 9      | 166067-2  | Thread Insert                       |
| 10     | 166066-2  | Foot - Adjustable                   |
| 11     | 227156    | Pipe / Leg                          |
| 12     | 227170-12 | Pipe / Cross                        |
| 13     | 230917    | Bracket                             |
| 14     | 231815-3  | Chamber                             |
| 15     | 230863    | Bracket                             |
| 16     | 230969-2  | Bracket                             |
| 17     | 230859    | Plate                               |
| 18     | 231599    | Bracket                             |
| 19     | 229440-4  | Panel                               |
| 20     | 230912-1  | Chamber - Electrical Heated         |
|        | 230912-2  | Chamber - Steam or Hot Water Heated |

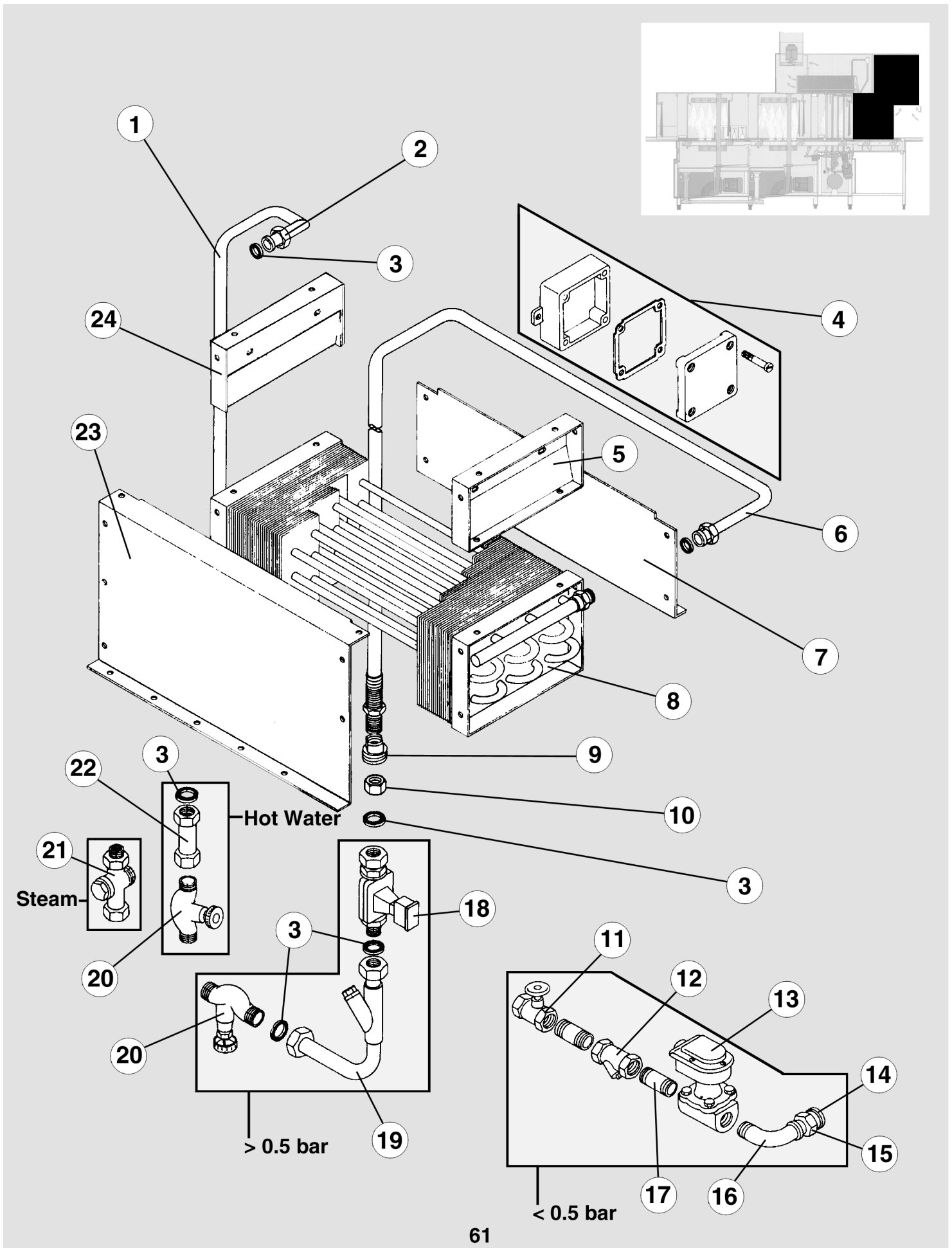




Blower Electric  
Soufflage Électrique  
Trocknungsgebläse Elektrisch

CX

| Key No | Part No                          | Description   |
|--------|----------------------------------|---|
| 1      | 230868-2                         | Bracket   |
| 2      | 229554-1<br>303727-1<br>303727-2 | Blower - Radial 380/415V<br>Rubber Bearing<br>Insert / Bush |
| 3      | 230868-1                         | Bracket   |
| 4      | 229534                           | Bracket   |
| 5      | 602501                           | Nut M5  |
| 6      | 227743-3                         | Thermostat  |
| 7      | 229266                           | Panel   |
| 8      | 229265                           | Plate - Dement  |
| 9      | 229189-1<br>229189-2<br>229189-3 | Element 220V<br>Element 240V - STD U.K.<br>Element 254V     |
| 10     | 229256                           | Housing   |
| 11     | 229535                           | Bracket   |
| 12     | 229266                           | Panel   |
| 13     | 229534                           | Bracket   |





Blower Steam & Hot Water D5  
Soufflage Vapeur & eau Surchauffée D5  
Trocknungsgebläse Dampf & Heißwasser D5

CX

| Key No | Part No               | Description                                |
|--------|-----------------------|--|
| 1      | 230998<br>231596      | Pipework L/R<br>Pipework R/L               |
| 2      | 168610-1              | Union Nut 1.1/8" BSP                       |
| 3      | 168611-1              | Gasket                                     |
| 4      | 232633                | Box  |
| 5      | 229758                | Panel                                      |
| 6      | 230997<br>230999      | Tube Assy L/R<br>Tube Assy R/L             |
| 7      | 229755                | Panel                                      |
| 8      | 229742                | Battery                                    |
| 9      | 230996                | Flange                                     |
| 10     | 172739-2              | Nut  |
| 11     | 169757                | Gate                                       |
| 12     | 168756-4              | Line Strainer                              |
| 13     | 774624-1<br>774624-11 | Solenoid Valve - 1/2"<br>Service Kit       |
| 14     | 603364                | Flange                                     |
| 15     | 602338                | Union                                      |
| 16     | 603023                | Elbow                                      |
| 17     | 603414                | Nipple                                     |
| 18     | 168785-2<br>168785-10 | Solenoid Valve 3/4" - Steam<br>Service Kit |
| 19     | 229664                | Tube Assy                                  |
| 20     | 165828-2              | Inlet Valve Assy                           |
| 21     | 168704                | Steam Trap                                 |
| 22     | 229665                | Nut & Tube Assy                            |

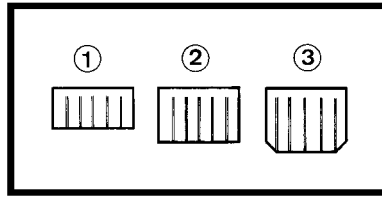
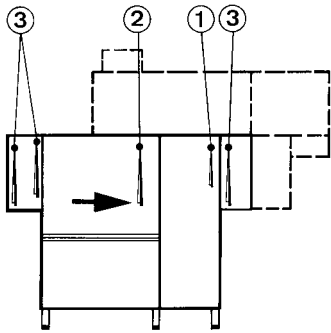


**Blower Steam & Hot Water D5**  
**Soufflage Vapeur & eau Surchauffée D5**  
**Trocknungsgebläse Dampf & Heißwasser D5**

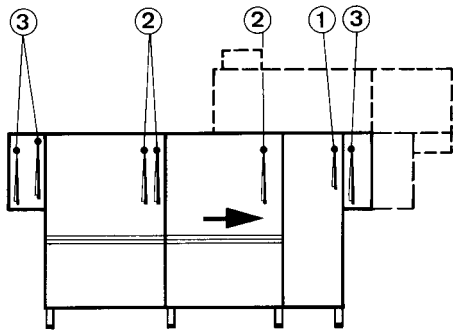
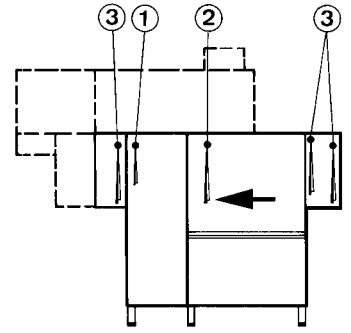
**CX**

| <b>Key No</b> | <b>Part No</b> | <b>Description</b> |
|---------------|----------------|--------------------|
| 23            | 229756         | Panel Assy         |
| 24            | 229758         | Panel Assy         |

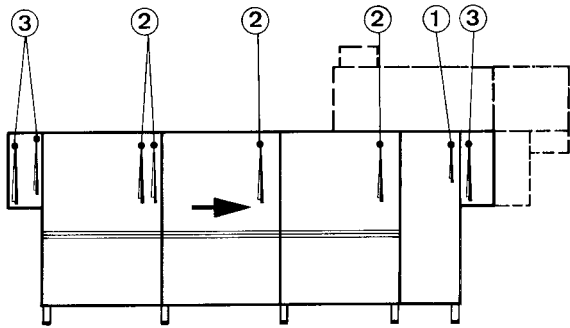
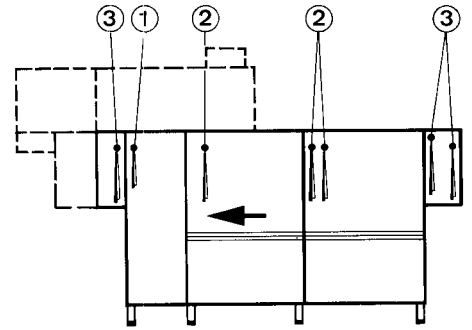
Position of Curtains



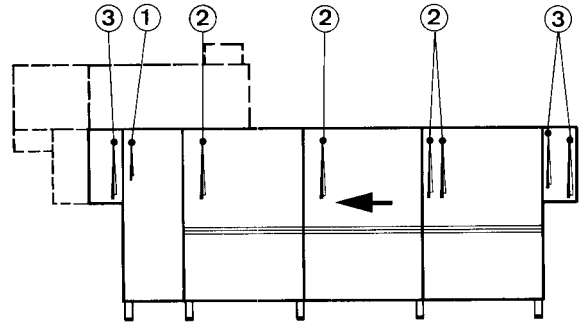
CX - A



CX - LA  
CX - SA



CX - LB  
CX - SB



| Key No | Part No              | Description    |
|--------|----------------------|----------------|
| 1      | 231602-2<br>231540-3 | Curtain<br>Rod |
| 2      | 231602-1<br>231540-2 | Curtain<br>Rod |
| 3      | 230781<br>231540-1   | Curtain<br>Rod |

As continued product improvement is a policy of HOBART, specifications are subject to change without notice.

Ce catalogue n'est pas contractuel. HOBART se réserve le droit, et sans préavis, d'apporter toutes modifications ou améliorations à ses matériels.

HOBART behält sich das Recht vor, an allen Produkten technische Änderungen und Verbesserungen ohne Ankündigung vorzunehmen.

Voortdurende produktverbetering vormt een wezenlijk onderdeel van het beleid van HOBART. Specificaties kunnen zonder kennisgeving gewijzigd worden.