

WAREWASHING



Utensil washer

ECOMAX 702



Spare Parts Catalogue

EN

Valid for the following models:**Ecomax 702**

For other voltages or electric components, refer to the wiring diagram shipped with the machine. Observe wiring diagram.

Legend

-  Recommended spare parts
-  Wearing parts

Publisher

HOBART GmbH
ecomax by HBOART
Robert-Bosch-Str. 17
77656 Offenburg

Tel +49(0)781.600-0
Fax +49(0)781.600-23 19

E-Mail: info@hobart.de
Internet: www.hobart.de

Product disclaimer

Installations and repairs carried out by non-authorized technicians or using non-genuine spare parts, and any technical alterations to the machine not approved by the manufacturer will invalidate the manufacturer's warranty and product liability.

HOBART reserves the right to make changes or improvements to its products without prior notice.

Detailed information can be obtained from your specialist dealer or from:

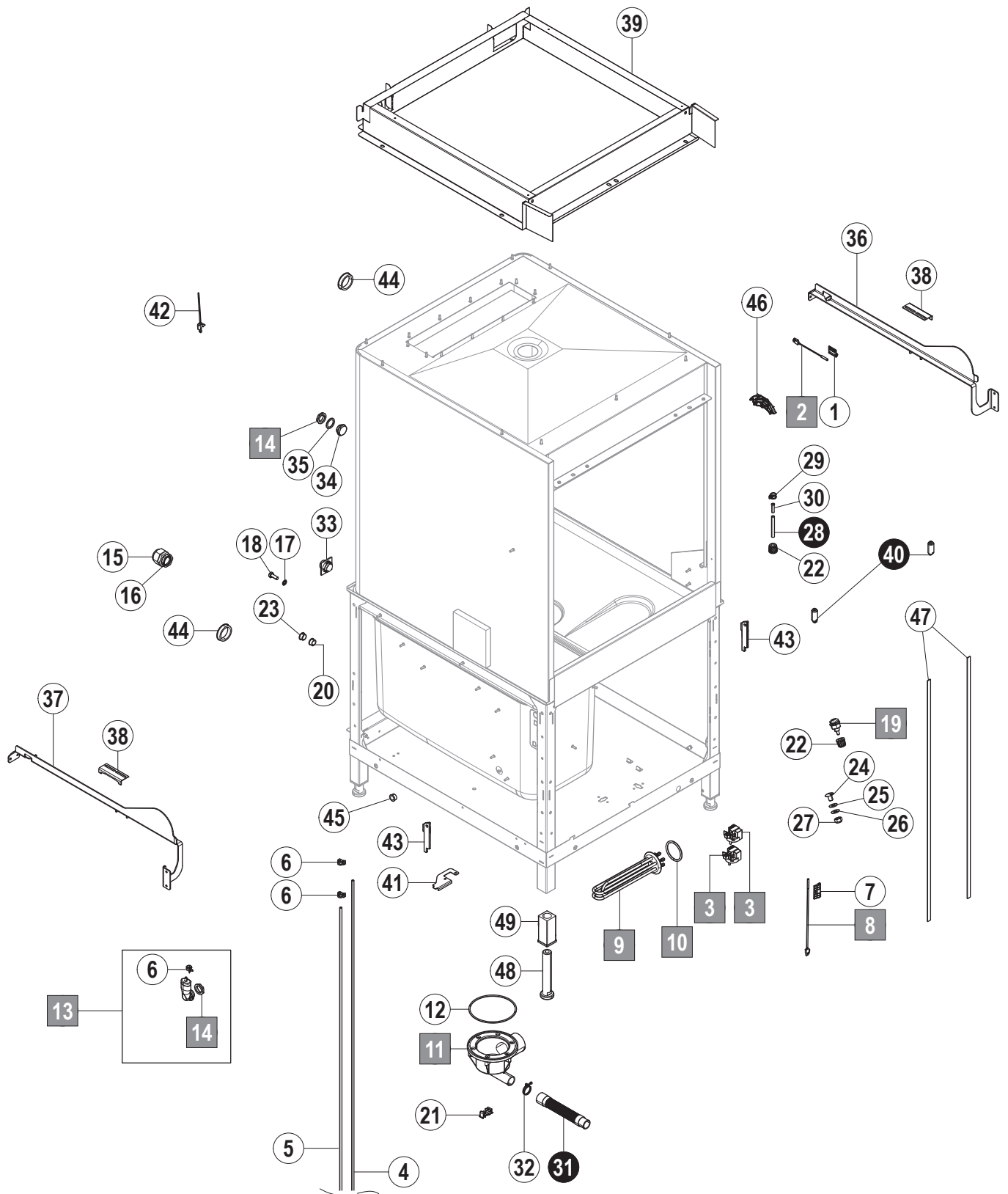
SERVICE Tel. 01803 45 62 58
Internet: www.hobart.de
E-Mail: info@hobart.de (within Germany)

© HOBART GmbH, Offenburg 2021

Page	Chapter	Contents
4	1.	Tank and undercarriage
8	2.	Door
10	3.	Covering
12	4.	Fill
14	5.	Drain system
16	6.	Strainer system without drain pump
18	7.	Strainer system with drain pump
20	8.	Wash system
22	9.	Wash pump
24	10.	Hot water tank
26	11.	Switch box
28	12.	Dosage
30	13.	Racks

Tank and undercarriage

1. Tank and undercarriage



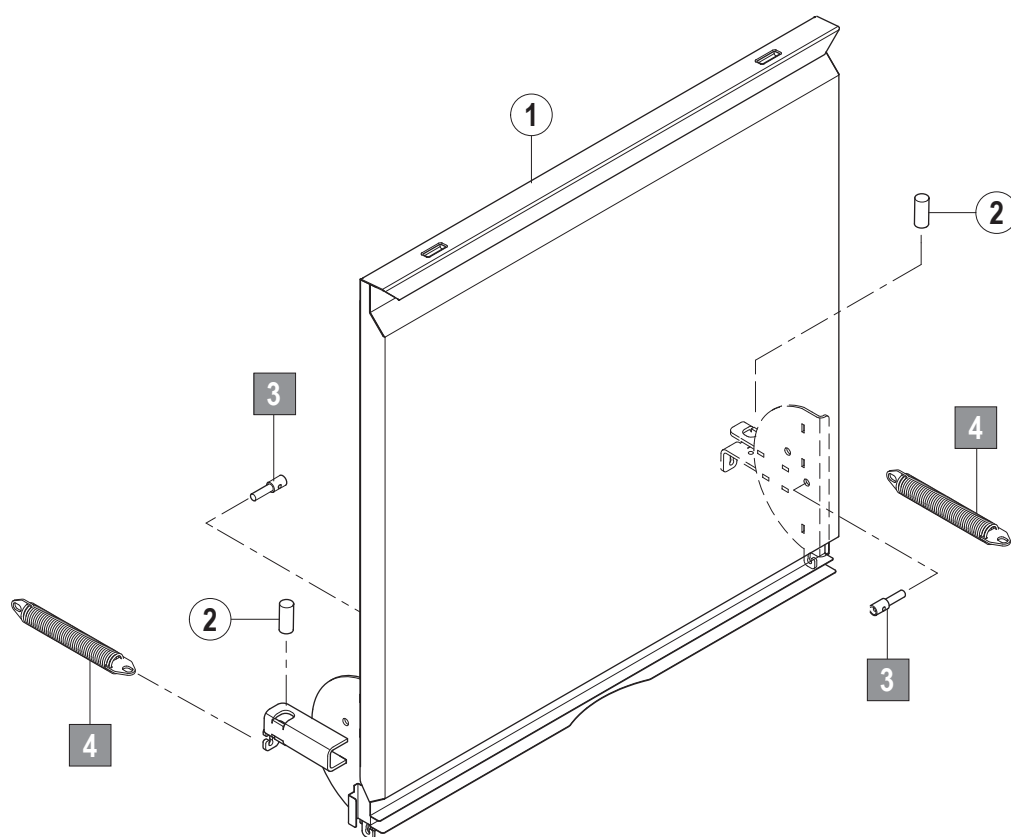
Pos. no.	Part no.	Part name	Remarks
1	01-515259-001	Bracket gas reed switch	
2	01-515276-001	Reed switch	
3	00-775866-202	Pressure transmitter	
4	00-324402-003	Hose	
5	00-324402-011	Hose	
6	01-246214-003	Hose clip	
7	01-297719-001	Bracket temperature sensor	
8	00-775612-001	Temperature sensor	
9	00-323949-002	Tank heater	
10	00-067500-118	O-ring	
11	00-883735-001	Tank flange	
12	00-276903-028	O-ring	
13	01-515334-001	Air chamber, replacement kit	incl. Pos. 6 + 14
14	00-324384-000	Nut	
15	00-695661-005	Cable fitting	
16	00-695664-005	Counter nut	
17	00-605283-001	Fan washer	
18	00-602570-000	Screw	
19	00-883676-001	Spare parts kit dosing nipple	Gilde only
20	00-886756-004	Insulation bushing	Gilde only
21	01-515242-001	Hose guidance rail	Gilde only
22	00-775507-001	Screw connection	
23	00-895609-001	Cover cap	Ecomax only
24	00-6033376-000	Screw	Ecomax only
25	00-172986-010	Sealing	Ecomax only
26	00-602287-000	Washer	Ecomax only
27a	00-602305-000	Spring ring	Ecomax only
27	00-602492-000	Nut	Ecomax only
28	01-246301-017	Dosing hose	Ecomax only
29	00-324510-068	Hose clip	Ecomax only
30	00-379839-009	Bolt	Ecomax only
31	01-539652-001	Drain hose	Ecomax only
32	00-323945-035	Hose clip	Ecomax only
33	00-785565-004	Cable bushing	Ecomax only
34	01-297500-001	Cover	Ecomax only
35	00-168611-025	Sealing	Ecomax only
36	01-539798-001	Rack guide right	
37	01-539799-001	Rack guide left	
38	01-539790-001	Hook spring	
39	01-539831-001	Frame complete	
40	00-324221-000	Door closer	
41	01-539884-001	Elbow holder	

Tank and undercarriage

42	00-691923-001	Fixing strap	
43	01-294748-001	Vopour seal	
44	00-886756-001	Insulation bushing	
45	00-886756-002	Insulation bushing	
46	01-515897-001	Hose guidance rail	
47	01-539856-003	Sealing tape	
48	00-325007-001	Adjustable foot screw-in	
49	00-325008-001	Adjustable foot impact part	
	04-005547-001	Screw kit mounting parts:	
	00-605321-001	SK nut M5	20x
	00-602283-000	Shim 4,3	2x
	00-602285-000	Shim 5,3	2x
	00-603079-000	Screw Zyl. M4x20	2x
	00-602568-000	Screw SK M5x12	2x
	00-602507-000	SK nut M4	2x
	00-602308-000	Spring ring B4	2x
	00-605327-001	Nut SK M10	2x
	00-602288-000	Shim 10,5	2x
	00-603493-000	Countersunk screw M4x10	2x
	00-600699-000	Countersunk screw M6x12	12x

Door

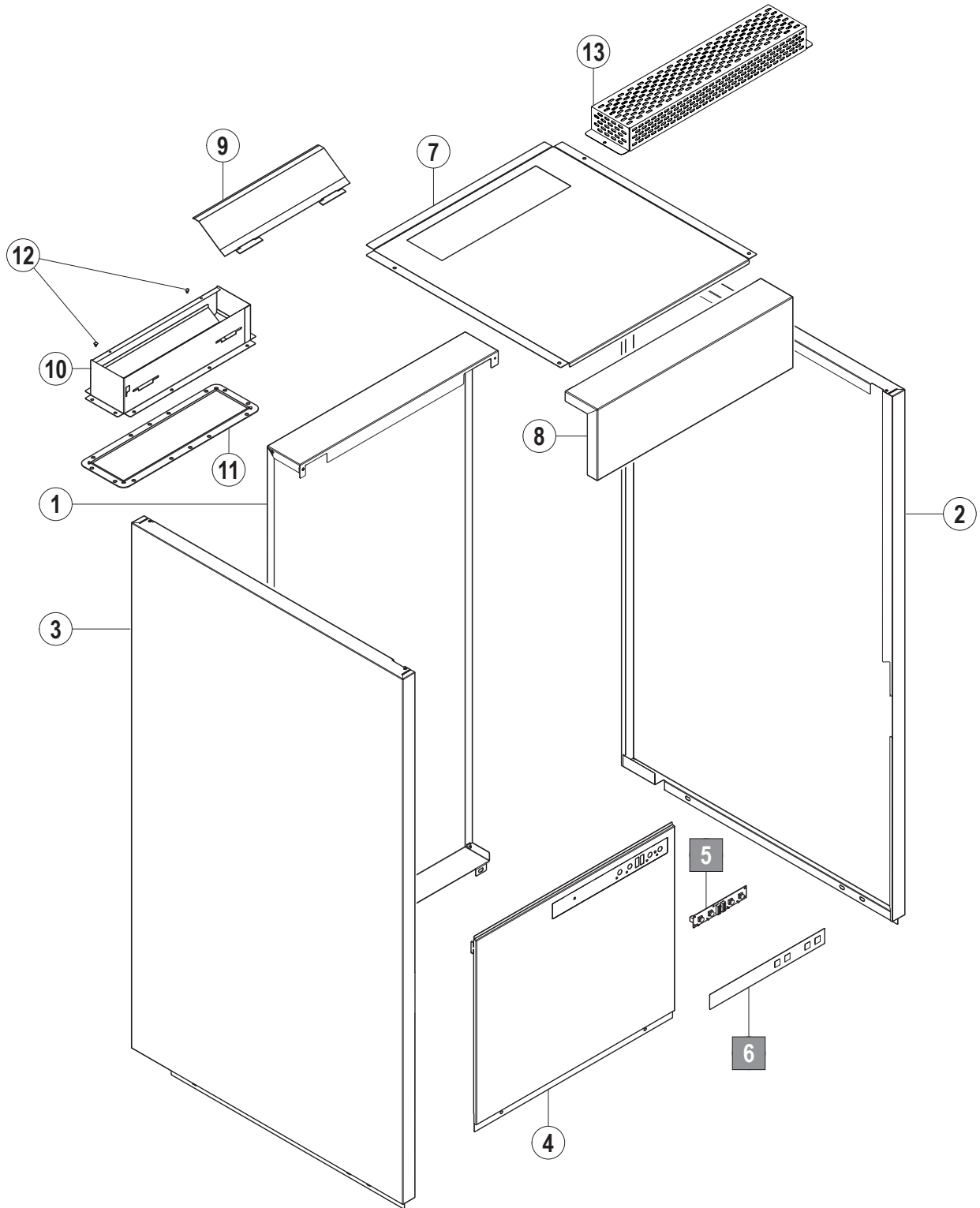
2. Door



Pos. no.	Part no.	Part name	Remarks
1	01-539973-001	Door	
2	01-294682-001	Stopper	
3	01-294675-001	Axle door	
4	01-246079-001	Spring	
	04-005547-002	Screw kit door:	
	00-602285-000	Shim 5,3	2x
	00-605009-000	SK screw M5x6	2x
	00-602306-000	Spring ring B5	2x
	00-602567-000	SK screw M5x10	2x
	00-603649-000	Cup screw M5x10	2x
	00-609345-000	Countersunk screw M4x5	2x

Covering

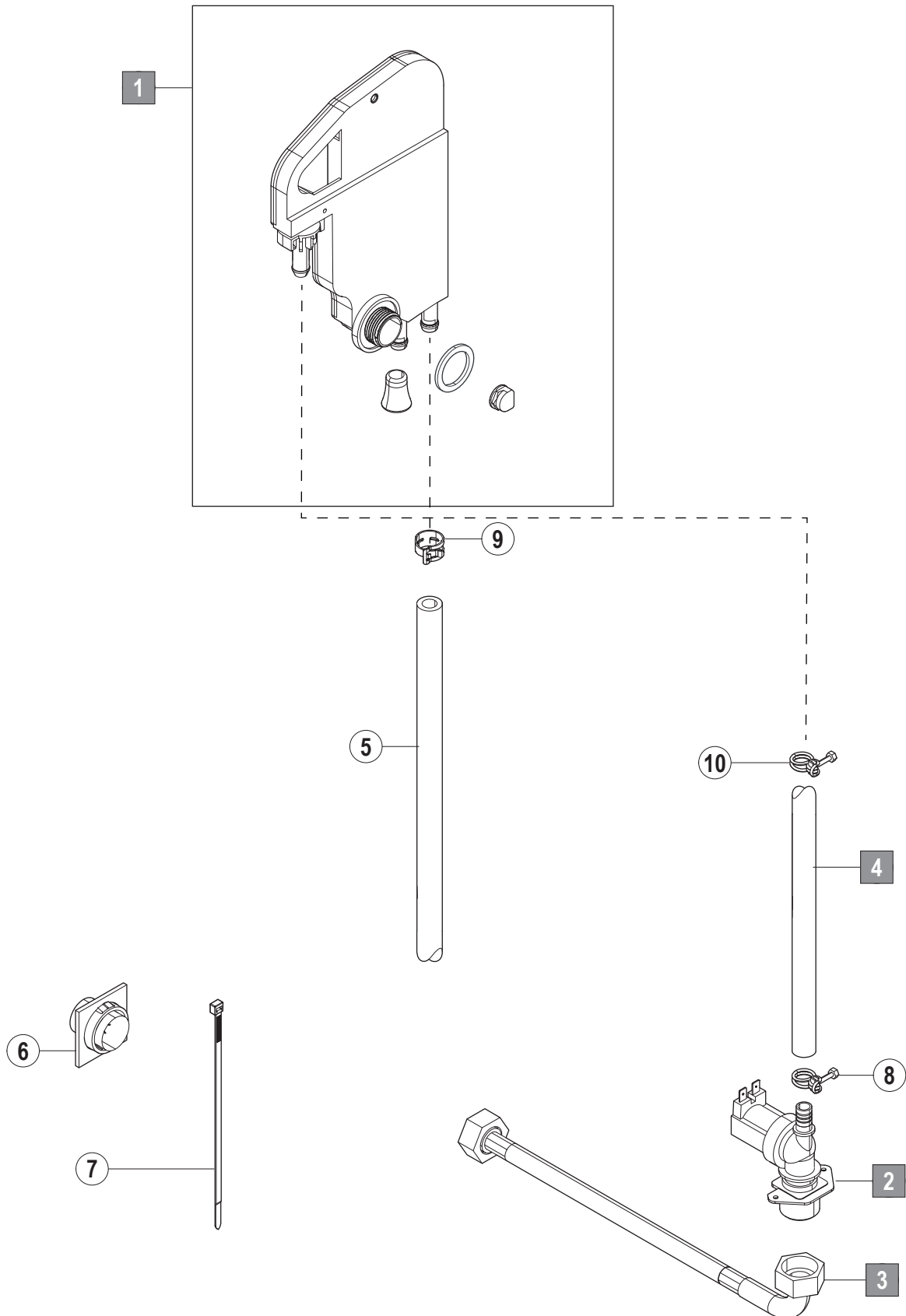
3. Covering



Pos. no.	Part no.	Part name	Remarks
1	01-539720-001	Back covering	
2	01-539830-005	Side covering, right	
3	01-539830-006	Side covering, left	
4	01-539946-001	Frontal covering	
5	00-897560-002	Operating and display unit	
6	01-297749-001	Ecomax film keypad	
7	01-539839-001	Cover	
8	01-539958-001	Frontal covering	
9	01-294657-001	Flap	
10	01-510645-001	Air duct	
11	01-539716-001	Sealing	
12	00-228828-000	Stopper	
13	04-006809-001	Exhaust grille	
	04-005547-016	Screw kit covering:	
	00-603648-000	Cup screw M6x12	10x
	00-605321-001	SK nut M5	12x
	00-602568-000	Screw SK M5x12	6x
	00-602285-000	Shim 5,3	4x
	00-602306-000	Spring ring B5	4x
	00-602281-000	Shim 3,2	6x
	00-602528-000	SK nut M3	6x
	00-226247-001	Sealing ring	6x
	00-298529-009	Distance sleeve	6x
	00-603649-000	Cup screw M5x10	4x
	00-602481-000	SK nut M12	4x

Fill

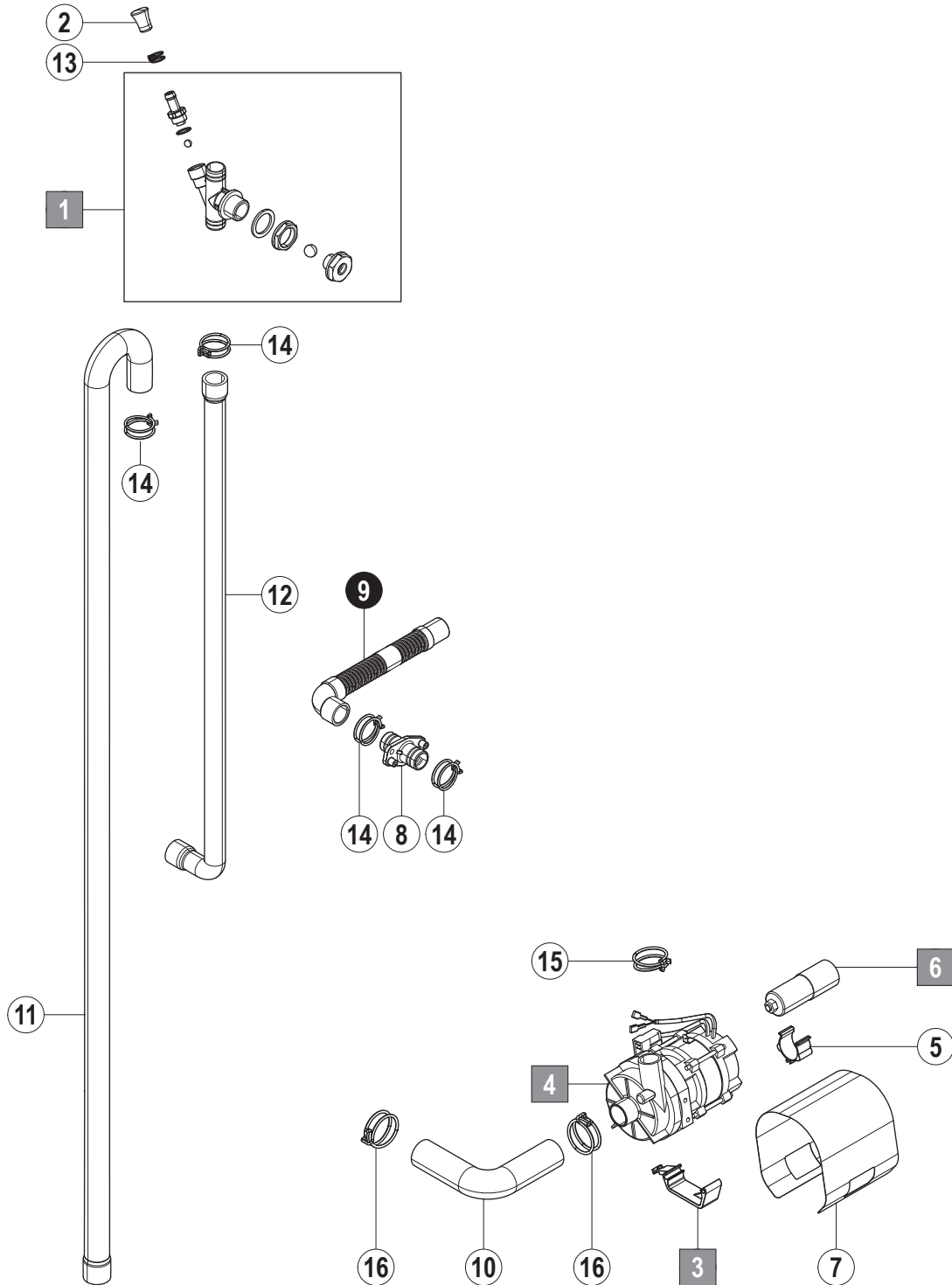
4. Fill



Pos. no.	Part no.	Part name	Remarks
1	01-515331-003	Spare parts kit waterbreak	
2	00-883658-001	Filling valve	
3	01-240316-003	Water supply hose	
4	01-246371-007	Hose	
5	00-775559-030	Hose	
6	01-510505-001	Cable bushing	
7	00-165128-003	Cable tie	
8	00-323945-016	Hose clip	
9	01-246214-002	Hose clip	
10	00-323945-018	Hose clip	
	04-005547-004	Screw kit fill and drain:	
	00-602691-000	L.KR screw M4x10	4x
	00-602308-000	Spring ring B4	4x
	01-515222-001	Screw KU 4x12	2x
	00-605049-000	Screw L.KR. 6,3x22	1x

Drain system

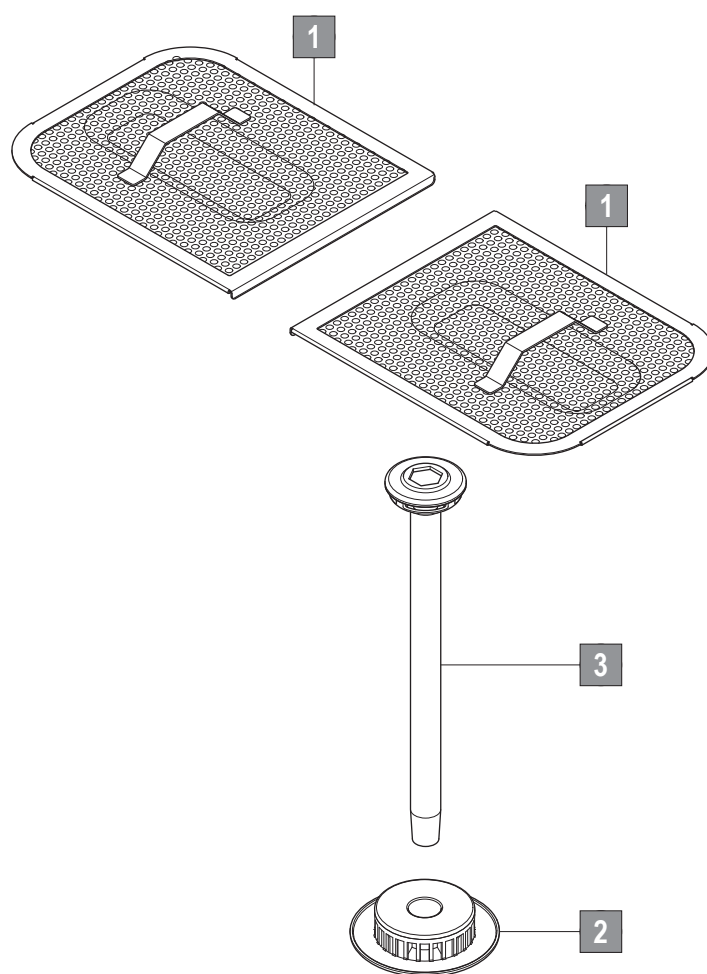
5. Drain system



Pos. no.	Part no.	Part name	Remarks
1	01-510552-003	Ventilation valve, compl.	
2	00-775531-001	Blind plug	
3	01-515154-001	Bracket rinse pump	
4	00-775854-003	Drain pump	
5	01-539645-001	Holder	
6	00-226568-002	Condensor	
7	01-515763-001	Cover	
8	01-240159-001	Drain connection	
9	00-883961-002	Drain hose	
10	00-898242-008	Hose	
11	01-515968-003	Hose	
12	01-515894-002	Hose	
13	00-324510-140	Hose clip	
14	00-324510-287	Hose clip	
15	00-324510-327	Hose clip	
16	00-324510-356	Hose clip	

Strainer system without drain pump

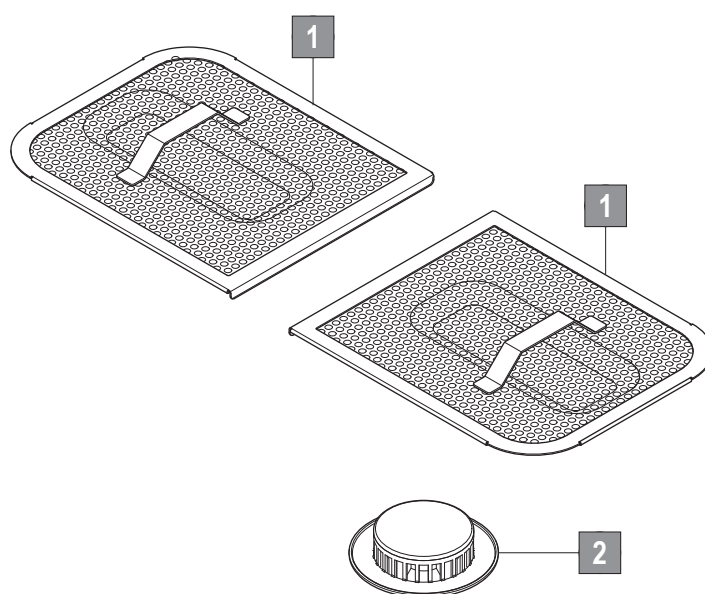
6. Strainer system without drain pump



Pos. no.	Part no.	Part name	Remarks
1	01-510617-001	Tank cover strainer	
2	00-883733-002	Drain strainer	
3	00-883737-002	Riser	

Strainer system with drain pump

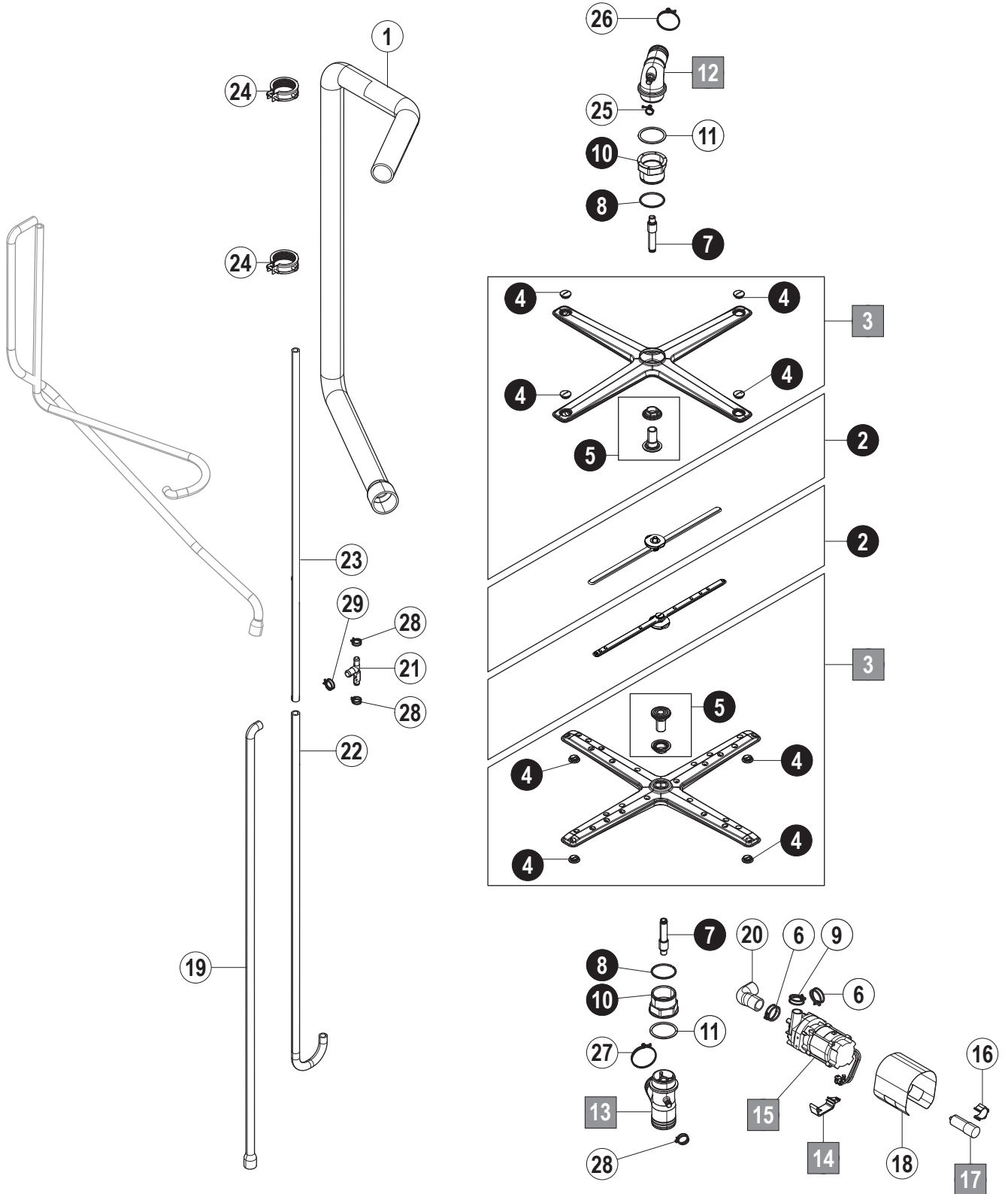
7. Strainer system with drain pump



Pos. no.	Part no.	Part name	Remarks
1	01-510617-001	Tank cover strainer	
2	00-883733-001	Drain strainer	

Wash system

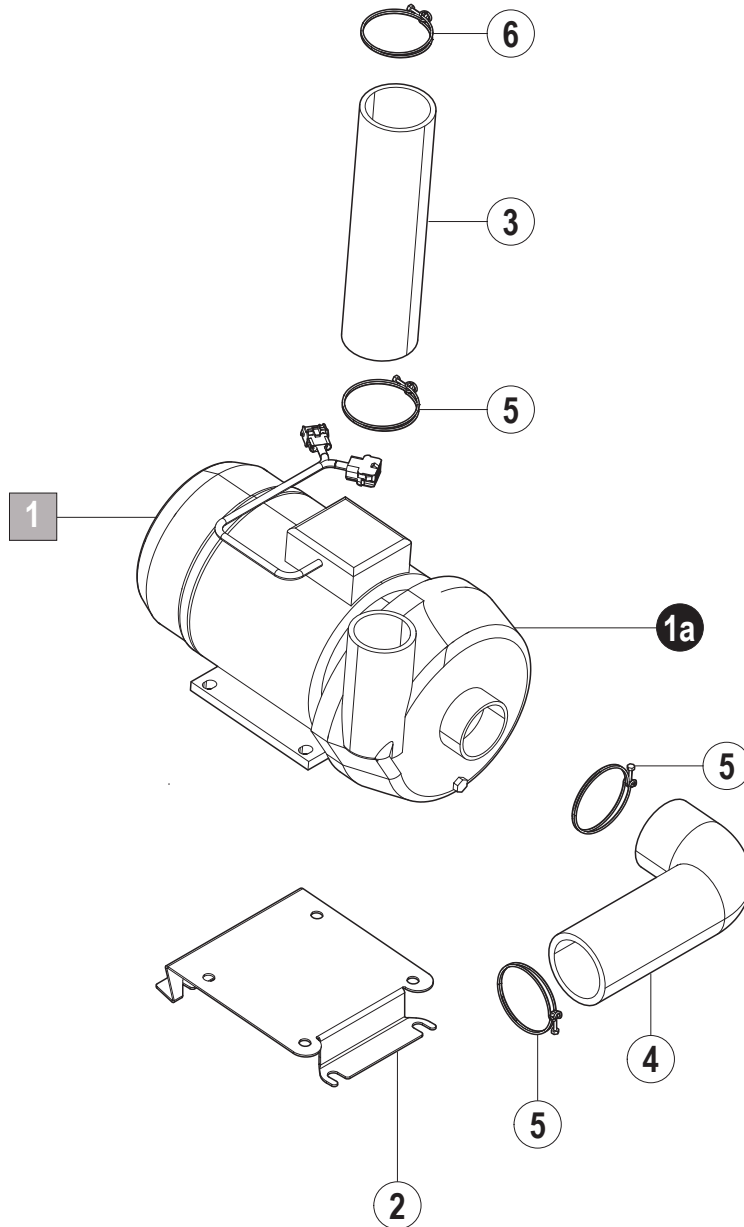
8. Wash system



Pos. no.	Part no.	Part name	Remarks
1	01-539824-003	Hose	
2	01-539620-001	Spare parts kit rinse arm	
3	01-539867-001	Wash arm, compl.	incl. Pos. 4 + 5
4	00-886610-000	Wash arm plug kit	4 x
5	01-539624-004	Spare parts kit wash arm guidance	
6	00-324510-356	Hose clip	
7	01-539866-002	Axle	
8	00-324751-000	Sealing ring	
9	00-324510-327	Hose clip	
10	01-539739-001	Separating nut	
11	00-172986-039	Sealing	
12	01-294619-001	Wash arm bearing, top	
13	01-294757-001	Wash arm bearing, bottom	
14	01-515154-001	Bracket rinse pump	
15	01-539788-001	Rinse pump 50 Hz	
16	01-539645-001	Holder	
17	00-226568-009	Condensor	
18	01-515763-001	Cover	
19	00-883167-001	Hose	
20	01-515844-001	Hose	
21	00-324071-000	T-piece	
22	01-510611-001	Hose	
23	01-240170-010	Hose	
24	00-897330-001	Clip	
25	00-323945-021	Hose clip	
26	00-323945-064	Hose clip	
27	00-323945-072	Hose clip	
28	00-324510-202	Hose clip	
29	00-324510-242	Hose clip	

Wash pump

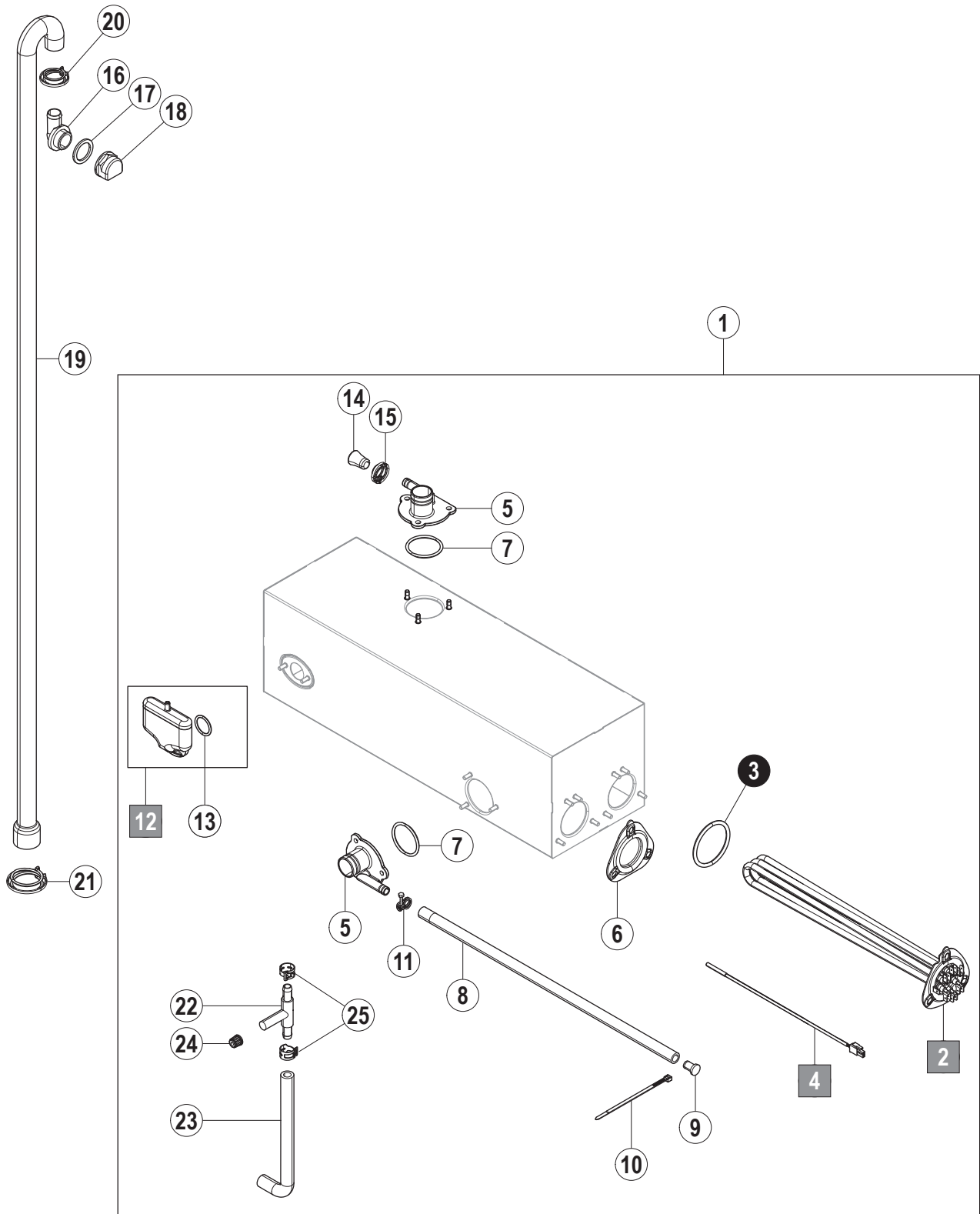
9. Wash pump



Pos. no.	Part no.	Part name	Remarks
1	01-539787-001	Wash pump	
1a	01-539787-010	Spare part kit for 50Hz	Kits consist of: O-ring, impeller, seal ring fixed, movable slide ring
	01-539787-020	Spare part kit for 60Hz	
2	00-883141-004	Hose	
3	00-898176-006	Hose	
4	00-323945-076	Hose clip	
5	00-323945-072	Hose clip	
	04-005547-007	Screw kit wash pump:	
	00-602578-000	SK screw M8x25	
	00-602503-000	SK nut M8	
	00-602287-000	Shim 8,4	
	00-602288-000	Shim 11	

Hot water tank

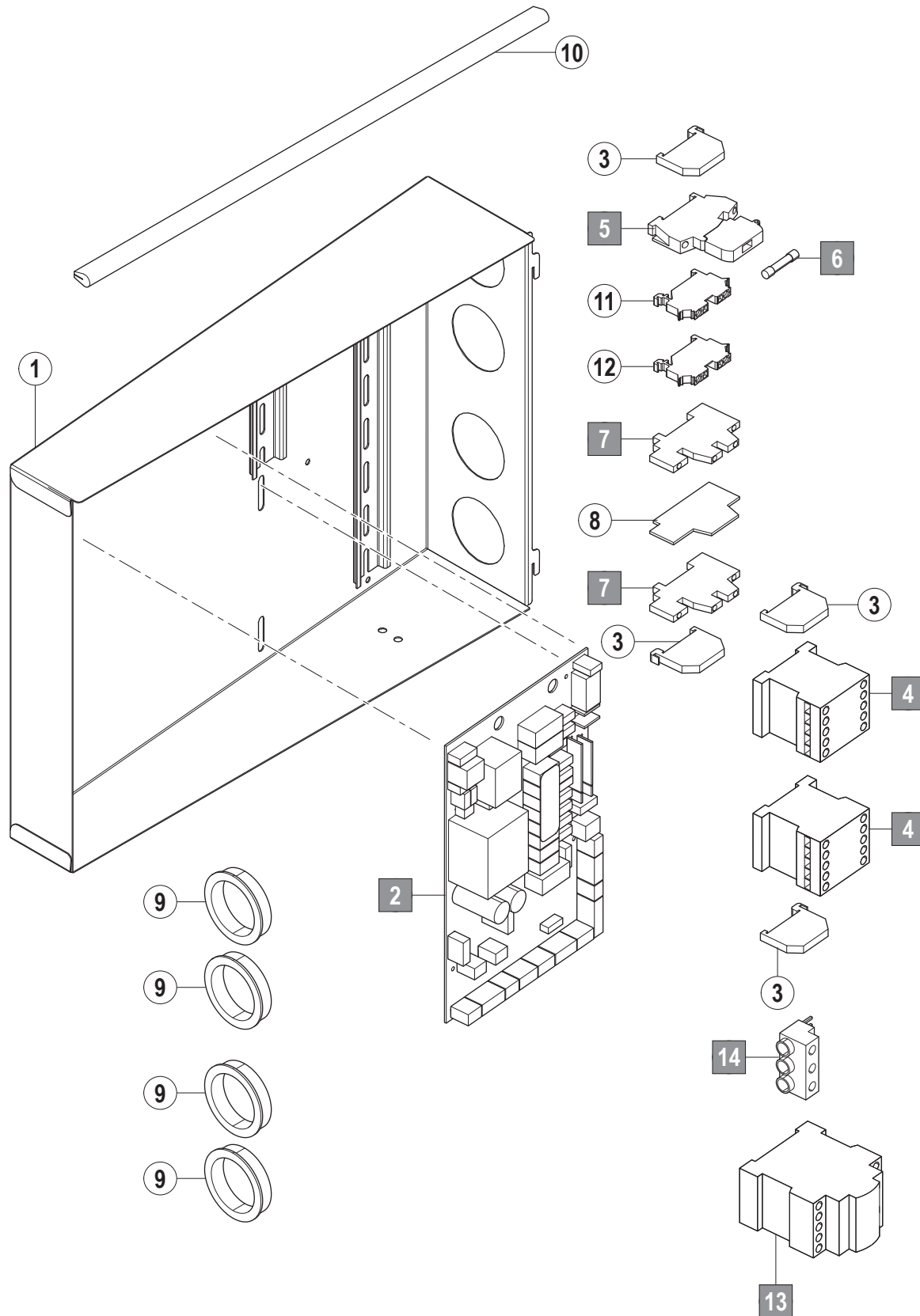
10. Hot water tank



Pos. no.	Part no.	Part name	Remarks
1	01-515695-003	Hot water tank, compl.	incl. Pos. 2 - 13, 22
2	01-539873-001	Boiler heating	
3	01-240135-011	O-ring	
4	00-775612-001	Temperature sensor	
5	01-515731-001	Pump intake	
6	04-005521-001	Blind flange	
7	00-276903-064	O-ring	
8	00-774080-001	Hose	
9	00-774512-001	Plug	
10	00-165128-001	Cable tie	
11	00-323945-015	Hose clip	
12	01-240372-001	Air chamber, replacement kit	incl. Pos. 13
13	00-276903-056	O-ring	
14	00-775531-001	Blind plug/lind plug	
15	00-324510-164	Hose clip	
16	00-324097-000	Filler piece	
17	00-775305-001	Sealing	
18	00-324183-000	Nut	
19	01-539932-001	Hose	
20	00-324510-242	Hose clip	
21	00-324510-356	Hose clip	
22	01-297803-001	T-piece dosing	
23	01-539927-001	Hose	
24	00-775507-001	Screw connection	
25	01-246214-002	Hose clip	
	04-005547-008	Screw kit hot water tank:	
	00-602501-000	SK nut M5	17x
	00-602285-000	Shim 5,3B	17x
	00-602502-000	SK nut M6	2x
	00-602570-000	SK screw M6x16	2x
	00-602286-000	Shim 6,4	2x
	00-605321-001	SK nut M5	1x

Switch box

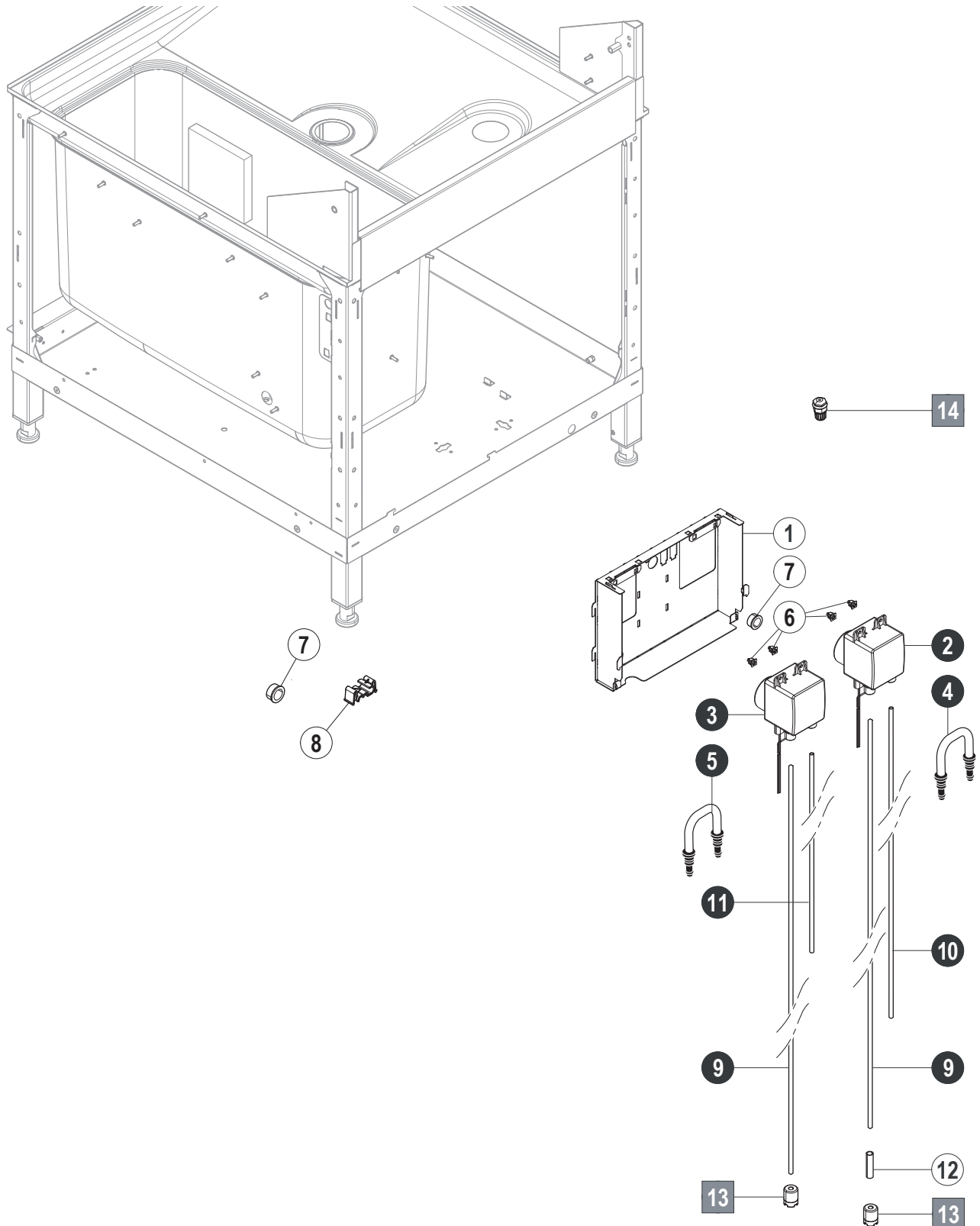
11. Switch box



Pos. no.	Part no.	Part name	Remarks
1	01-515748-001	Switch box premouted	
2	01-515407-001	Spare parts kit control system	
3	00-323981-001	End clamp	
4	00-695521-062	Contactactor	
5	00-775548-001	Fuse clip and disconnect terminal	
6	00-775570-001	Fuse	
7	00-785508-001	Two-tier terminal	
8	00-785508-011	Core end plate	
9	00-886756-001	Insulation bushing	
10	00-229169-013	Rubber profile	
11	00-323979-006	Terminal strip	
12	00-323979-005	Terminal strip	
13	00-695527-002	Contactactor	
14	00-695509-003	Terminal block	

Dosage

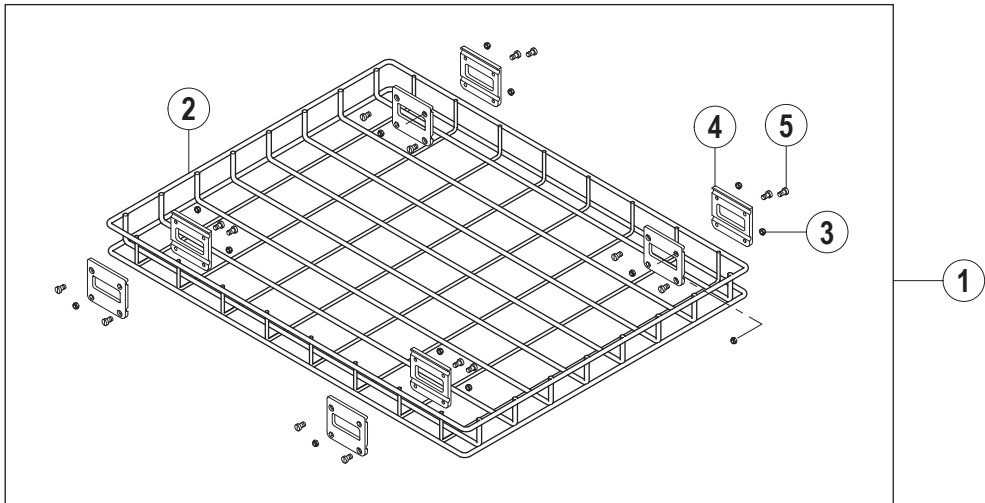
12. Dosage



Pos. no.	Part no.	Part name	Remarks
1	01-515898-001	Braket dosing unit	
2	01-515269-006	Dosing unit rinse aid	
3	01-515269-002	Dosing unit detergent	
4	00-775608-003	Spare parts kit mill hose rinse aid	
5	00-775608-002	Spare parts kit mill hose detergent	
6	00-775460-001	Nut	
7	00-886756-004	Insulation bushing	
8	01-515242-001	Hose guidance rail	
9	01-246301-011	Dosing hose	
10	01-246301-006	Dosing hose	
11	01-246301-016	Dosing hose	
12	01-246210-001	Hose shell, blue	
13	00-775239-001	Suction piece	
14	00-883676-001	Spare parts kit dosing nipple	
	04-005547-009	Screw kit dosing pump:	
	01-515222-001	Screw KU 4x12	4x
	00-775460-001	Insert nut	4x

Racks

13. Racks



Pos. no.	Part no.	Part name	Remarks
1	01-510508-001	Universal rack complete	incl. Pos. 2 - 5
2	01-510507-001	Universal rack	
3	00-602490-000	Nut	
4	00-323635-000	Clip	
5	00-602619-000	Cap nut	

HOBART GmbH
ecomax by HOBART
Robert-Bosch-Str. 17
77656 Offenburg
Telefon +49(0)1803 66 29
Fax +49(0)1803 63 29
E-Mail: info@ecomaxbyhobart.de
Internet: www.ecomaxbyhobart.de

Printed in Germany