

HEJ201E

Start Prod 01/01/2017 End Prod

**VIEW 10 : Unit assembly**

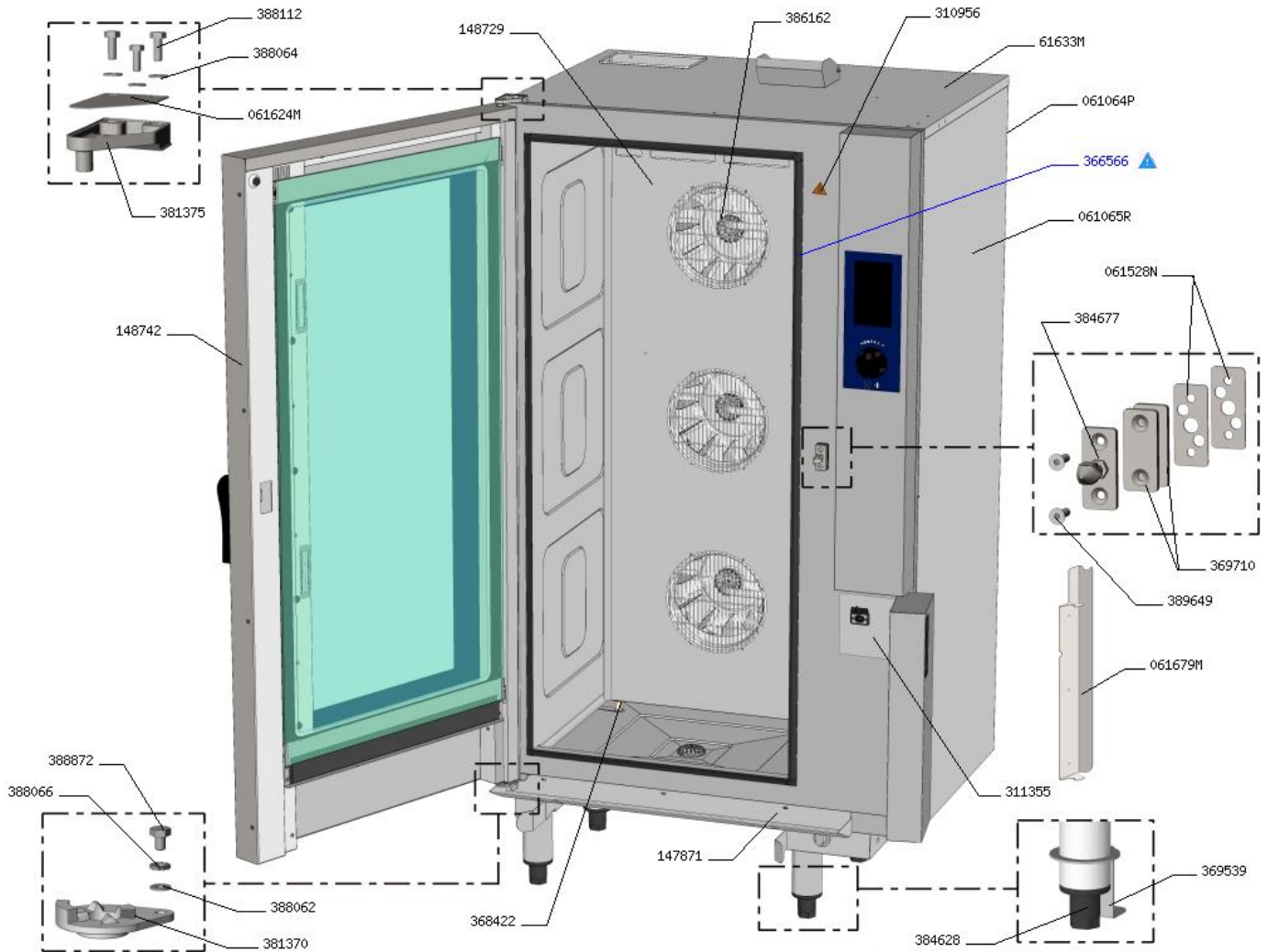
serial number start :

serial number end :

Start Date : 01-01-2017

End Date : 00-00-0000

Legend :	
	Spare Part
	Recommended Part
	Wearing Part



CODE	NAME	COMENTS	CAT
061064P	Outer back part		
061065R	External side		
061528N	Door catch spacer		
061624M	Upper hinge blanking piece		
061679M	20 levels trolley handle support	Livre avec les fours depuis le 01/01/2020	
147871	Collecting duct under door		
148729	Duct on 20 level oven sub assembly		
148742	20 level door sub assembly	Sans lexan de porte, ni vitre intérieure	
310956	Hot plate warning label		
311355	Label for core probe socket and USB port		
366566	Capacity gasket		
368422	Ventilation duct pin ring		
369539	Legs locking plate		
369710	Door catch flange		
381370	Door hinge index		
381375	Upper hinge support		
384628	Base jack for outer tube diameter 70 mm		
384677	Moulded door catch		



# HEJ201E- Hobart:Combi 20 Levels GN1/1 (Elec)

HEJ201E

Start Prod 01/01/2017 End Prod

CODE	NAME	COMENTS	CAT
386162	Grill for ventilation duct diameter 260		
388062	M4 stainless steel flat washer		
388064	M6 stainless steel flat washer		
388066	Size 4 stainless steel AZ tooth lockwasher		
388112	TH 8 x 16 stainless steel screw		
388872	TH M4 x 6 stainless steel screw		
389649	A2 stainless countersunk PZ screws DIN 965 M6 x 30		
61633M	Top exterior		

HEJ201E

Start Prod 01/01/2017 End Prod

**VIEW 20 : Control panel**

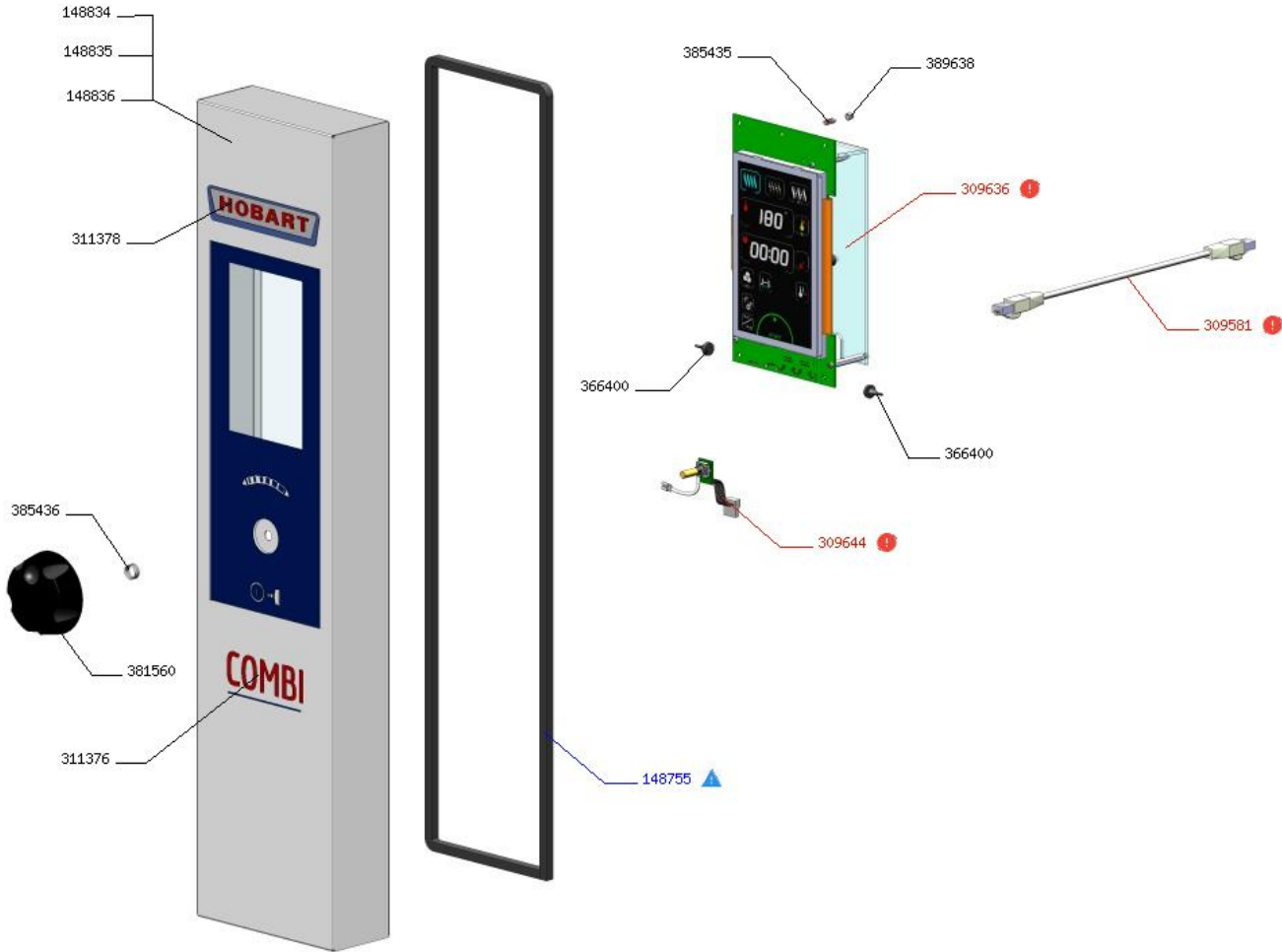
serial number start :

serial number end :

Start Date : 01-01-2017

End Date : 00-00-0000

Legend :	
	Spare Part
	Recommended Part
	Wearing Part



CODE	NAME	COMENTS	CAT
148755	After sales kit facia seal		
148834	After sales kit for 6 level combi control panel	Avec lexans collés	
148835	After sales kit for 10 level combi control panel	Avec lexans collés	
148836	After sales kit for 20 level combi control panel	Avec lexans collés	
309581	Inter card cable		
309636	VISIOPAD screen card	Voir Quick Guide 390997	
309644	VISIOPAD coder		
311376	Hobart COMBI logo label		
311378	Hobart logo label		
366400	Rubber stop		
366400	Rubber stop		
381560	Control button		
385435	Screen card spring		
385436	Coder spring ring		
389638	A2 stainless blind nuts M3 DIN 1587		

HEJ201E

Start Prod 01/01/2017 End Prod

**VIEW 30 : Door sub assembly**

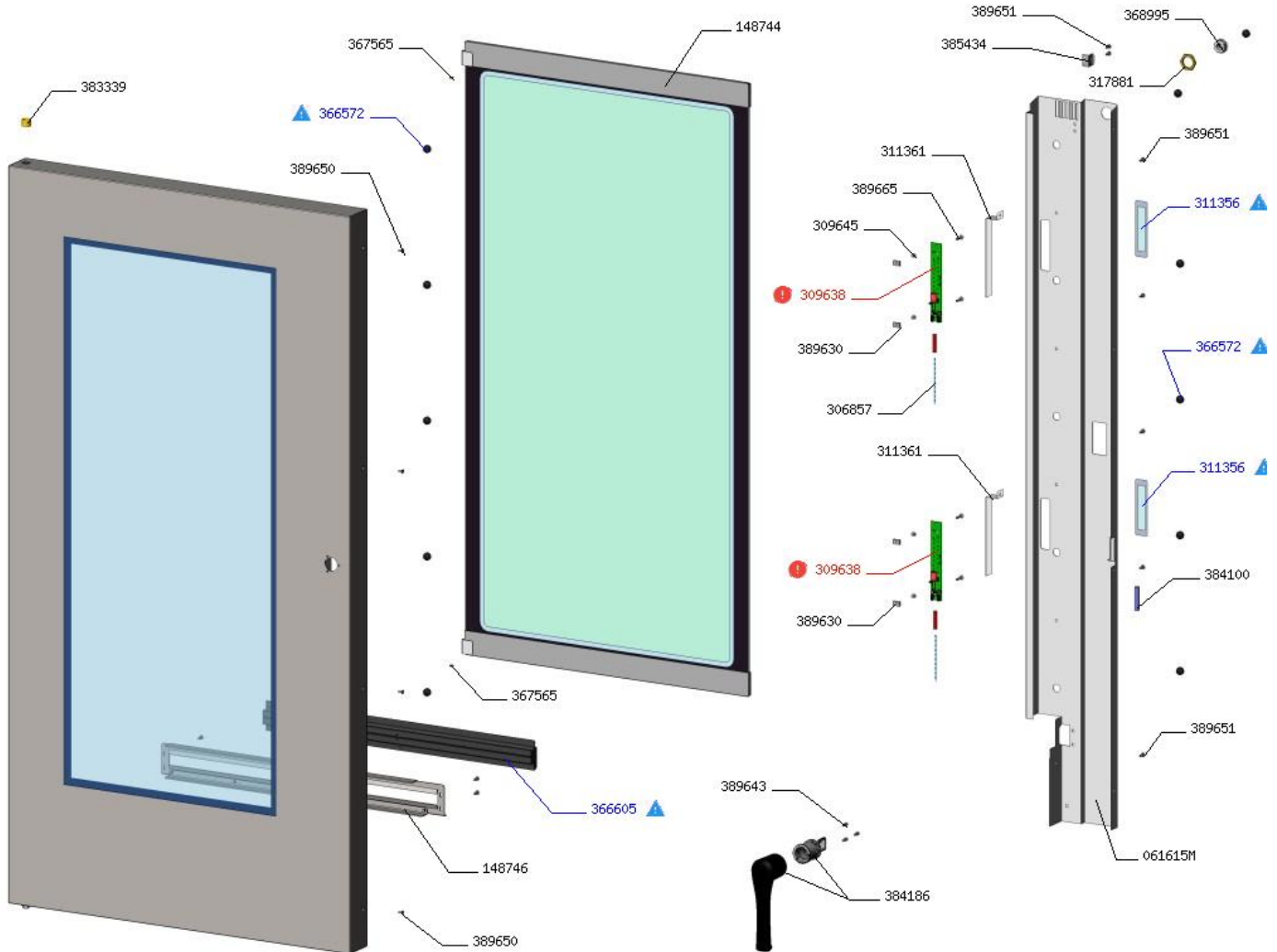
serial number start :

serial number end : P27530729J

Start Date : 01-01-2017

End Date : 10-06-2020

Legend :	
	Spare Part
!	Recommended Part
▲	Wearing Part



CODE	NAME	COMENTS	CAT
061615M	20 level door panelling		
148744	Internal glass on 20 level sub assembly		
148746	Lower door seal support sub assembly		
306857	Siliflon cable		
309638	LED strip		!
309638	LED strip		!
309645	Nylon tubular spacer 4.2 x 8 x 5 diameter		
311356	LED strip label		▲
311356	LED strip label		▲
311361	LED strip protective film		
311361	LED strip protective film		
317881	Brass 3/4 locknut		
366572	Door stop		▲
366572	Door stop		▲
366605	Door bottom Gasket		▲
367565	Brass distancer, diameter 8 x 5		
367565	Brass distancer, diameter 8 x 5		
368995	Door stop fixing ring		



# HEJ201E- Hobart:Combi 20 Levels GN1/1 (Elec)

HEJ201E

Start Prod 01/01/2017 End Prod

CODE	NAME	COMENTS	CAT
383339	Bronze ring 12/14 x 10		
384100	10 x 50 diameter magnet		
384186	Door closure mechanism for 20 level	Avec poignée	
385434	Interior door catch plate		
389630	M4 stainless quick lock nut		
389630	M4 stainless quick lock nut		
389643	A2 stainless screw TCHC m4 x 10 ISO 4762		
389650	A2 stainless countersunk PZ screws DIN 965 M4 x 10		
389650	A2 stainless countersunk PZ screws DIN 965 M4 x 10		
389651	A2 stainless TBBCR M4 x 12 screws		
389651	A2 stainless TBBCR M4 x 12 screws		
389651	A2 stainless TBBCR M4 x 12 screws		
389665	Stainless cross head screw A2 TCBL M4 x 12		

HEJ201E

Start Prod 01/01/2017 End Prod

**VIEW 31 : Door sub assembly**

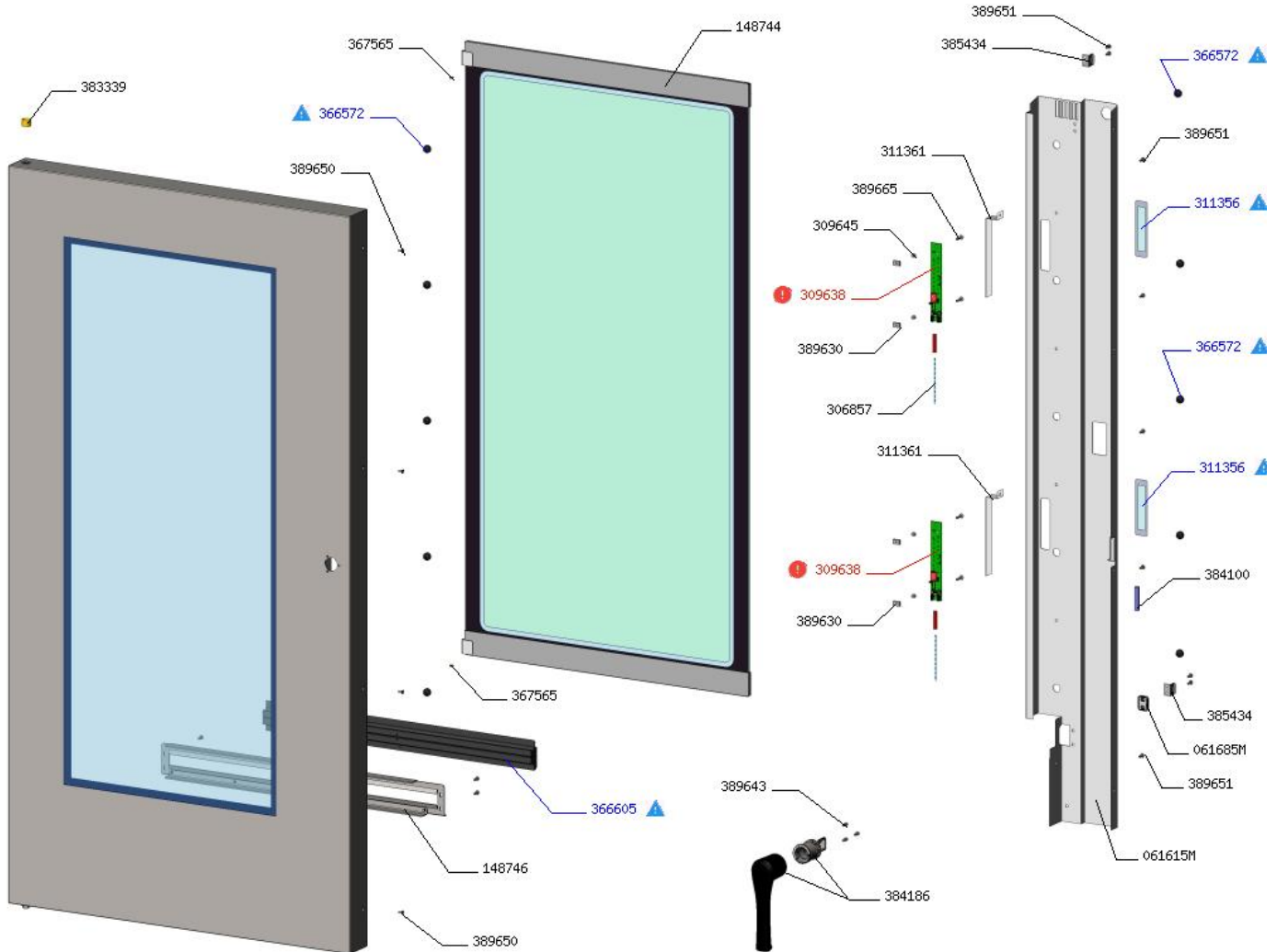
serial number start : P27530730J

serial number end :

Start Date : 10-06-2020

End Date : 00-00-0000

Legend :	
	Spare Part
	Recommended Part
	Wearing Part



CODE	NAME	COMENTS	CAT
061615M	20 level door panelling		
061685M	Internal door glass hook spacer		
148744	Internal glass on 20 level sub assembly		
148746	Lower door seal support sub assembly		
306857	Siliflon cable		
309638	LED strip		!
309638	LED strip		!
309645	Nylon tubular spacer 4.2 x 8 x 5 diameter		
311356	LED strip label		▲
311356	LED strip label		▲
311361	LED strip protective film		
311361	LED strip protective film		
366572	Door stop		▲
366572	Door stop		▲
366572	Door stop		▲
366605	Door bottom Gasket		▲
367565	Brass distancer, diameter 8 x 5		
367565	Brass distancer, diameter 8 x 5		



# HEJ201E- Hobart:Combi 20 Levels GN1/1 (Elec)

HEJ201E

Start Prod 01/01/2017 End Prod

CODE	NAME	COMENTS	CAT
383339	Bronze ring 12/14 x 10		
384100	10 x 50 diameter magnet		
384186	Door closure mechanism for 20 level	Avec poignée	
385434	Interior door catch plate		
385434	Interior door catch plate		
389630	M4 stainless quick lock nut		
389630	M4 stainless quick lock nut		
389643	A2 stainless screw TCHC m4 x 10 ISO 4762		
389650	A2 stainless countersunk PZ screws DIN 965 M4 x 10		
389650	A2 stainless countersunk PZ screws DIN 965 M4 x 10		
389651	A2 stainless TBBCR M4 x 12 screws		
389651	A2 stainless TBBCR M4 x 12 screws		
389651	A2 stainless TBBCR M4 x 12 screws		
389665	Stainless cross head screw A2 TCBL M4 x 12		

HEJ201E

Start Prod 01/01/2017 End Prod

**VIEW 40 : Door hatch sub assembly**

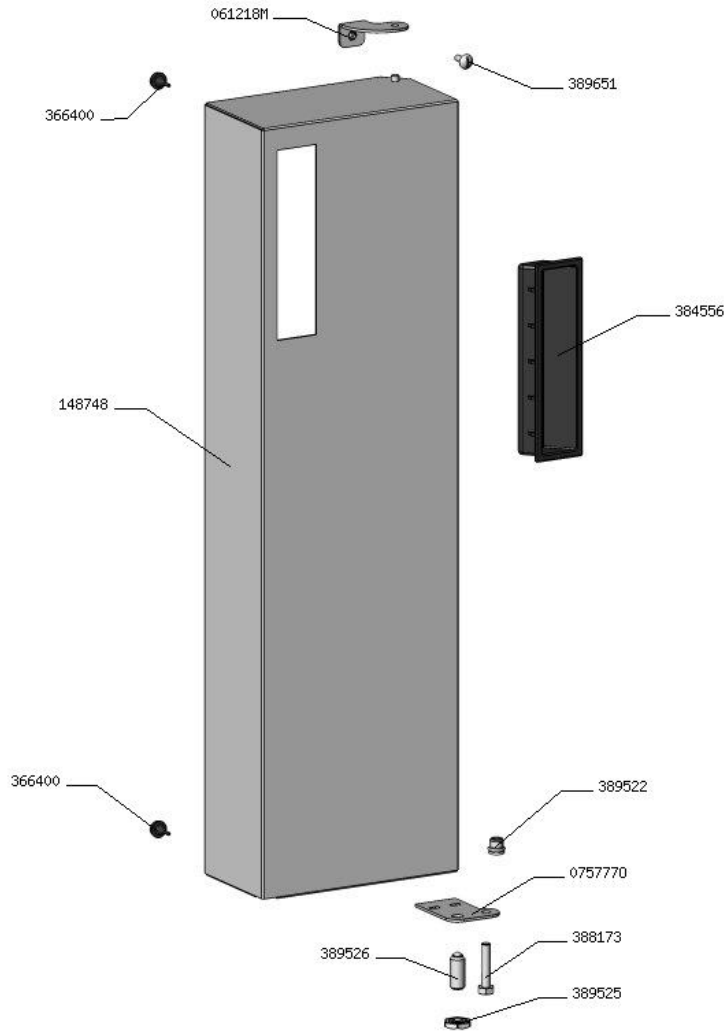
serial number start :

serial number end :

Start Date : 01-01-2017

End Date : 00-00-0000

Legend :	
	Spare Part
	Recommended Part
	Wearing Part



CODE	NAME	COMENTS	CAT
061218M	Access door upper bracket		
075777O	Spray head access door hinge to 20 level		
148748	Hatch		
366400	Rubber stop		
366400	Rubber stop		
384556	Plastic snap-on door handle		
388173	TH 6 x 30/18 stainless steel screw		
389522	Stainless steel set nut M6		
389525	Extra flat stainless steel PAL nut M10		
389526	Stainless steel high-resistant M10 ball thrust		
389651	A2 stainless TBBCR M4 x 12 screws		



HEJ201E

Start Prod 01/01/2017 End Prod

**VIEW 50 : Electric circuit**

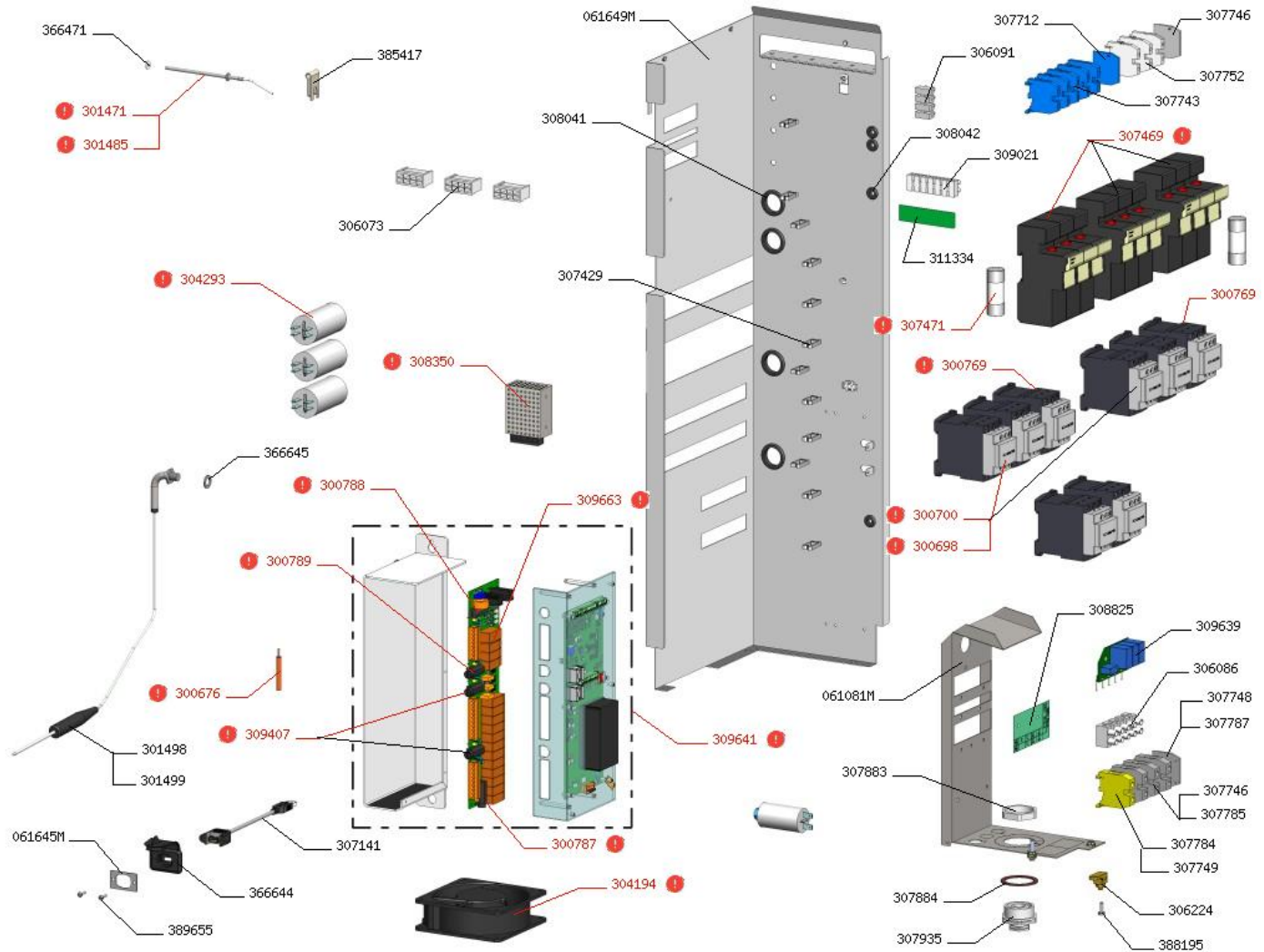
serial number start :

serial number end :

Start Date : 01-01-2017

End Date : 31-12-2017

Legend :	
	Spare Part
	Recommended Part
	Wearing Part



CODE	NAME	COMENTS	CAT
061081M	Terminal support of 6 to 12 level ovens		
061645M	USB port back plate	USB socket kit	
061649M	Electric plate		
300676	Reed switch		!
300698	Three-pole 32A 230V 50/60 Hz contactor	230V	!
300700	Three-pole 50A 230V 50/60 Hz contactor	400V	!
300769	Anti-interference relay	A commander avec contacteur 300697, 300698, 300699, 300700	!
300769	Anti-interference relay	A commander avec contacteur 300697, 300698, 300699, 300700	!
300787	Ultra fast fuse 0.2A 250V 5 x 20		!
300788	10amp 5 x 20 fuse		!
300789	5 x 20 fast fuse 1amp		!
301471	2 points PT 100 regulating sensor	PT100 recording outlet kit	!
301485	1 point regulation probe, PT 100		!
301498	4 sensor core probe GN2/1	Core probe kit	
301499	1 sensor core probe GN2/1	Core probe kit	
304194	Axial fan		!
304293	Condensator 12.5µf		!



# HEJ201E- Hobart:Combi 20 Levels GN1/1 (Elec)

HEJ201E

Start Prod 01/01/2017 End Prod

CODE	NAME	COMENTS	CAT
306073	Femal box connection		
306086	400V 32A 5 pole connection strip	400V	
306091	400V connection strip	PT100 recording outlet kit	
306224	10mm2 earth bonding point		
307141	USB 2 extension	USB socket kit	
307429	Panduiit cableway 9.398 x 12.7mm		
307469	3 phase 50A fuse holder	230V	!
307471	14 x 51 32A GG fuse	230V	!
307712	Blue end plate		
307743	Neutral terminal M4/6N		
307746	M16/12 terminal block		
307746	M16/12 terminal block		
307748	M16/12N neutral terminal block	400V	
307749	Protection lead terminal block	400V	
307752	Grey terminal block M4/6		
307784	Conductor connecting block	230V	
307785	Connecting block, 35mm grey	230V	
307787	Grey end flange, size 35mm	230V	
307883	Gland lock nut		
307884	Polycarbonate gland gasket		
307935	Polycarbonate gland		
308041	43 outer diameter grommet		
308042	Rubber 17.5 outer diameter grommet		
308350	Switching regulator 15V 15W RS 15-15		!
308825	Electric supply label	400V	
309021	7 prong female connector	Energy management kit	
309407	Fuse 3.15 Amps		!
309639	CEM filter		
309641	FastPAD 2 min power assembly	Voir Quick Guide 390997	!
309663	FastPAD 2 Max UL relay connection		!
311334	Connection label	Energy management kit	
366471	J thermocouple joint		
366644	USB port cover seal	USB socket kit	
366645	Bulkhead seal	Core probe kit	
385417	Probe blocking spring		
388195	TH 5 x 12 stainless steel screw		
389655	A2 stainless TCL DIN 85 screws	USB socket kit	

HEJ201E

Start Prod 01/01/2017 End Prod

**VIEW 51 : Electric circuit**

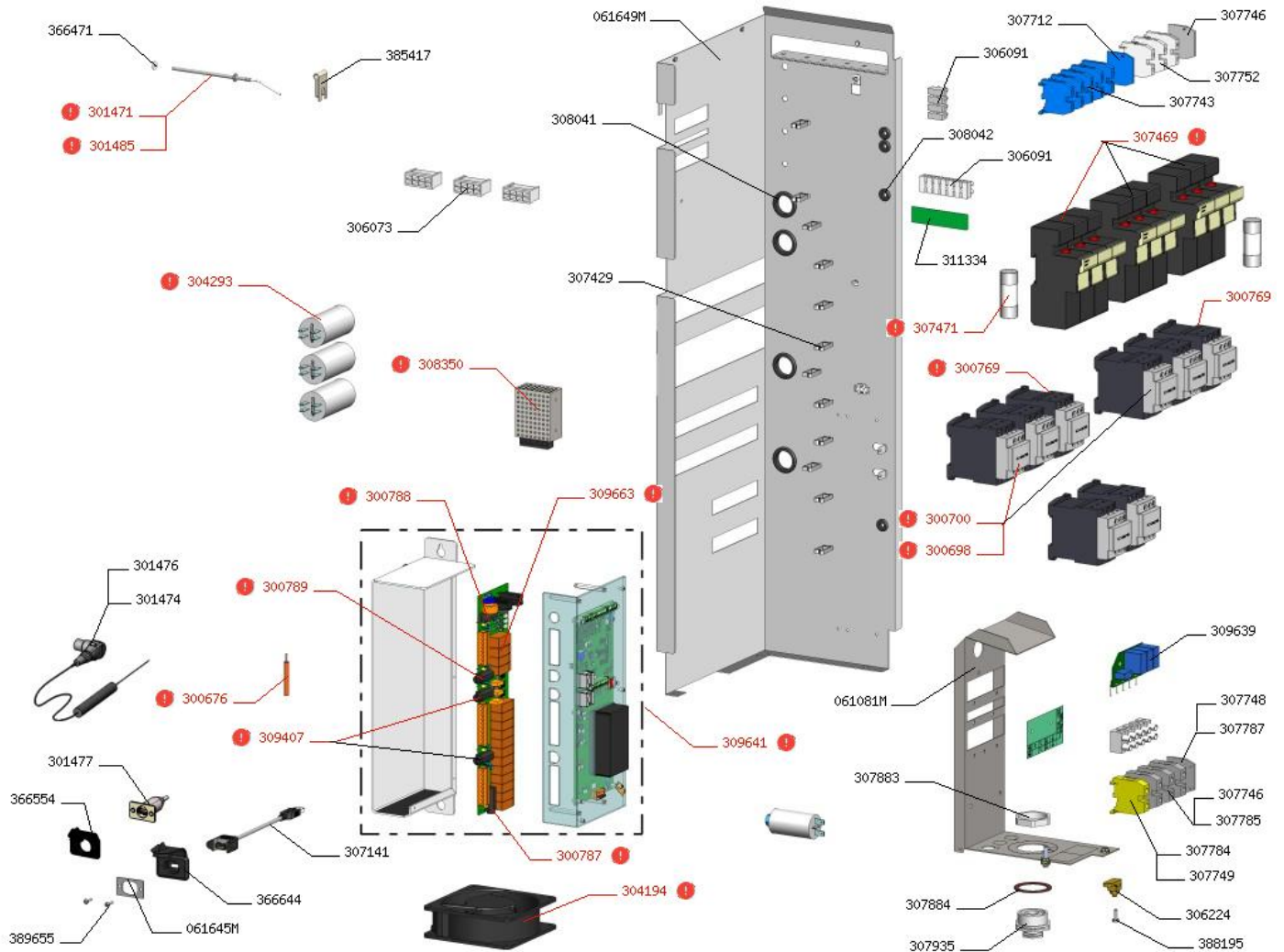
serial number start :

serial number end :

Start Date : 01-01-2018

End Date : 00-00-0000

Legend :	
	Spare Part
	Recommended Part
	Wearing Part



CODE	NAME	COMENTS	CAT
061081M	Terminal support of 6 to 12 level ovens		
061645M	USB port back plate	USB socket kit	
061649M	Electric plate		
300676	Reed switch		!
300698	Three-pole 32A 230V 50/60 Hz contactor	230V	!
300700	Three-pole 50A 230V 50/60 Hz contactor	400V	!
300769	Anti-interference relay	A commander avec contacteur 300697, 300698, 300699, 300700	!
300769	Anti-interference relay	A commander avec contacteur 300697, 300698, 300699, 300700	!
300787	Ultra fast fuse 0.2A 250V 5 x 20		!
300788	10amp 5 x 20 fuse		!
300789	5 x 20 fast fuse 1amp		!
301471	2 points PT 100 regulating sensor	PT100 recording outlet kit	!
301474	4 point temperature probe with NEUTRIK connector	Core probe kit	
301476	1 point temperature probe with NEUTRIK connector	Core probe kit	
301477	Neutrik BASE for temperature probe	Core probe kit	
301485	1 point regulation probe, PT 100		!
304194	Axial fan		!



# HEJ201E- Hobart:Combi 20 Levels GN1/1 (Elec)

HEJ201E

Start Prod 01/01/2017 End Prod

CODE	NAME	COMENTS	CAT
304293	Condensor 12.5µf		!
306073	Femal box connection		
306091	400V connection strip	PT100 recording outlet kit	
306091	400V connection strip	Energy control kit	
306224	10mm <sup>2</sup> earth bonding point		
307141	USB 2 extension	USB socket kit	
307429	Panduiit cableway 9.398 x 12.7mm		
307469	3 phase 50A fuse holder	230V	!
307471	14 x 51 32A GG fuse	230V	!
307712	Blue end plate		
307743	Neutral terminal M4/6N		
307746	M16/12 terminal block		
307746	M16/12 terminal block		
307748	M16/12N neutral terminal block	400V	
307749	Protection lead terminal block	400V	
307752	Grey terminal block M4/6		
307784	Conductor connecting block	230V	
307785	Connecting block, 35mm grey	230V	
307787	Grey end flange, size 35mm	230V	
307883	Gland lock nut		
307884	Polycarbonate gland gasket		
307935	Polycarbonate gland		
308041	43 outer diameter grommet		
308042	Rubber 17.5 outer diameter grommet		
308350	Switching regulator 15V 15W RS 15-15		!
309407	Fuse 3.15 Amps		!
309639	CEM filter		
309641	FastPAD 2 min power assembly	Voir Quick Guide 390997	!
309663	FastPAD 2 Max UL relay connection		!
311334	Connection label	Energy management kit	
366471	J thermocouple joint		
366554	Gasket and core probe or USB socket plug	Core probe kit	
366644	USB port cover seal	USB socket kit	
385417	Probe blocking spring		
388195	TH 5 x 12 stainless steel screw		
389655	A2 stainless TCL DIN 85 screws	USB socket kit	

HEJ201E

Start Prod 01/01/2017 End Prod

**VIEW 60 : Hydraulic circuit**

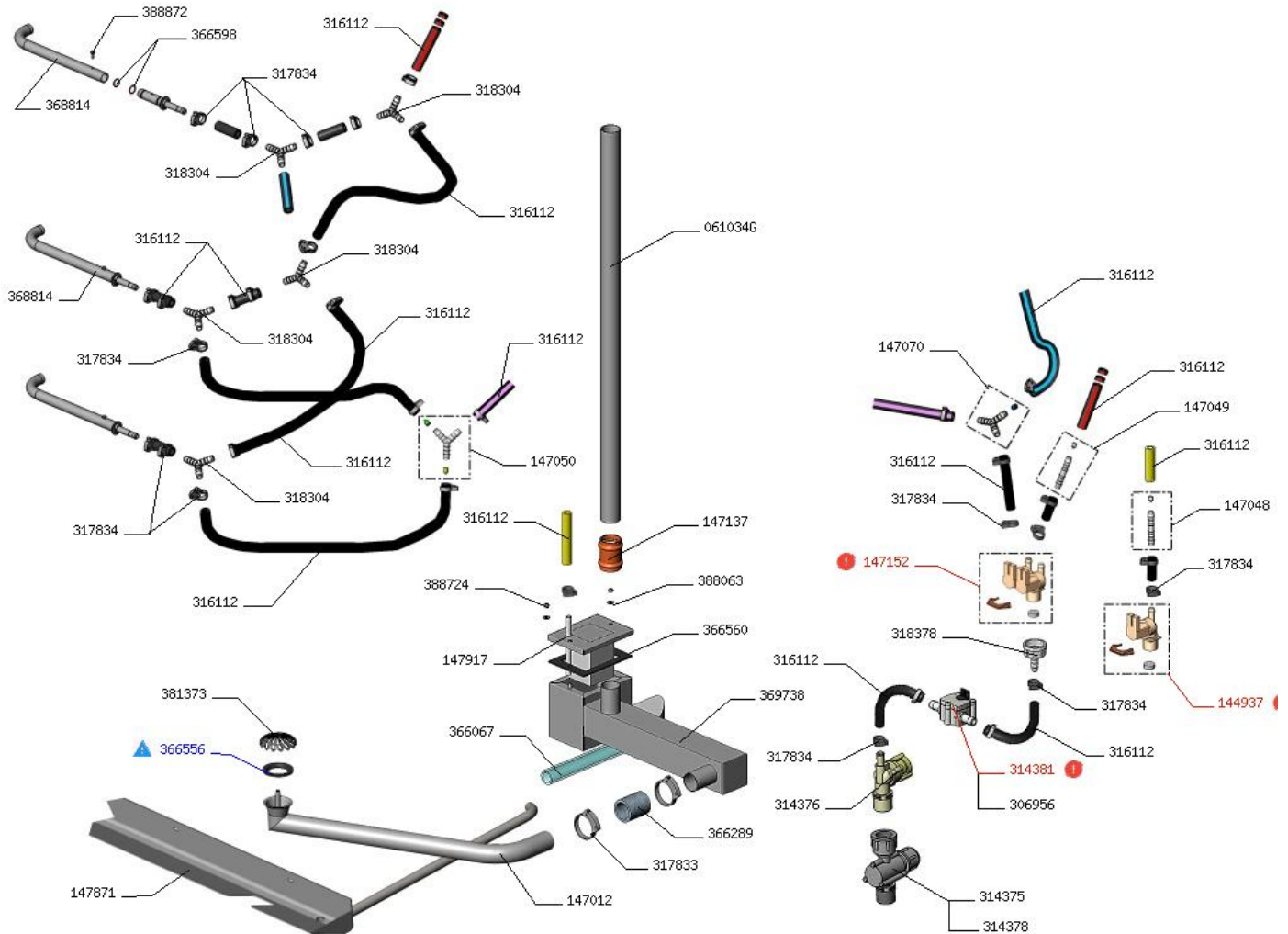
serial number start :

serial number end :

Start Date : 01-01-2017

End Date : 00-00-0000

Legend :	
	Spare Part
	Recommended Part
	Wearing Part



CODE	NAME	COMENTS	CAT
061034G	Flue extension, 6/8 levels, without generator		
144937	1 way 1 x 10 L/min solenoid valve		
147012	Capacity lower plate drainage sub-assembly	Remplace par le code 369593	
147048	Straight fitting + 1.2 L/min flow-rate regulator subassembly (blue)		
147049	Straight fitting + 1.5 L/min flow-rate regulator subassembly (blue)		
147050	Y-shaped fitting + 2 x 0,25 L/min flow-rate regulator (white) subassembly		
147070	Y-shaped fitting + 1 x 0,25 L/min flow-rate regulator (white) subassembly		
147137	Copper sleeve sub-assembly, diameter 35 + O'ring		
147152	2 way solenoid valve, 2 x 10 L/min		
147871	Collecting duct under door		
147917	Welded cover subassembly + condenser siphon bell		
306956	Digimesa Flowmeter Beam		
314375	Straight cold water arrival filter M3/4		
314376	10 dia. entry pressure regulator M3/4, 3 bar		
314378	Filter		
314381	FHKUC flow meter		



# HEJ201E- Hobart:Combi 20 Levels GN1/1 (Elec)

HEJ201E

Start Prod 01/01/2017 End Prod

CODE	NAME	COMENTS	CAT
316112	Armoured hose		
316112	Armoured hose		
316112	Armoured hose		
316112	Armoured hose		
316112	Armoured hose		
316112	Armoured hose		
316112	Armoured hose		
316112	Armoured hose		
316112	Armoured hose		
316112	Armoured hose		
316112	Armoured hose		
316112	Armoured hose		
316112	Armoured hose		
317833	S41/44,5 twin plastic tightening		
317834	Double female plastic clamp 15/17,2		
317834	Double female plastic clamp 15/17,2		
317834	Double female plastic clamp 15/17,2		
317834	Double female plastic clamp 15/17,2		
317834	Double female plastic clamp 15/17,2		
317834	Double female plastic clamp 15/17,2		
317834	Double female plastic clamp 15/17,2		
318304	Y-shaped coupling (equal branches), diameter 10		
318304	Y-shaped coupling (equal branches), diameter 10		
318304	Y-shaped coupling (equal branches), diameter 10		
318304	Y-shaped coupling (equal branches), diameter 10		
318304	Y-shaped coupling (equal branches), diameter 10		
318378	Straight plastic cover connector nut 3/4 x 10		
366067	15/21 transparent silicone tube (per meter)		
366289	Dark blue silicone tube		
366556	Capacity drainage gasket		▲
366560	Condenser siphon lid gasket		
366598	12.5mm internal dia 1.5 Tore O ring		
368814	Injection pipe		
368814	Injection pipe		
369738	20 level oven condenser		
381373	Moulded drain grill		
388063	M5 stainless steel flat washer		
388724	Bras hex M5 nut		
388872	TH M4 x 6 stainless steel screw		



HEJ201E

Start Prod 01/01/2017 End Prod

**VIEW 70 : Hydraulic circuit with optional automatic wash**

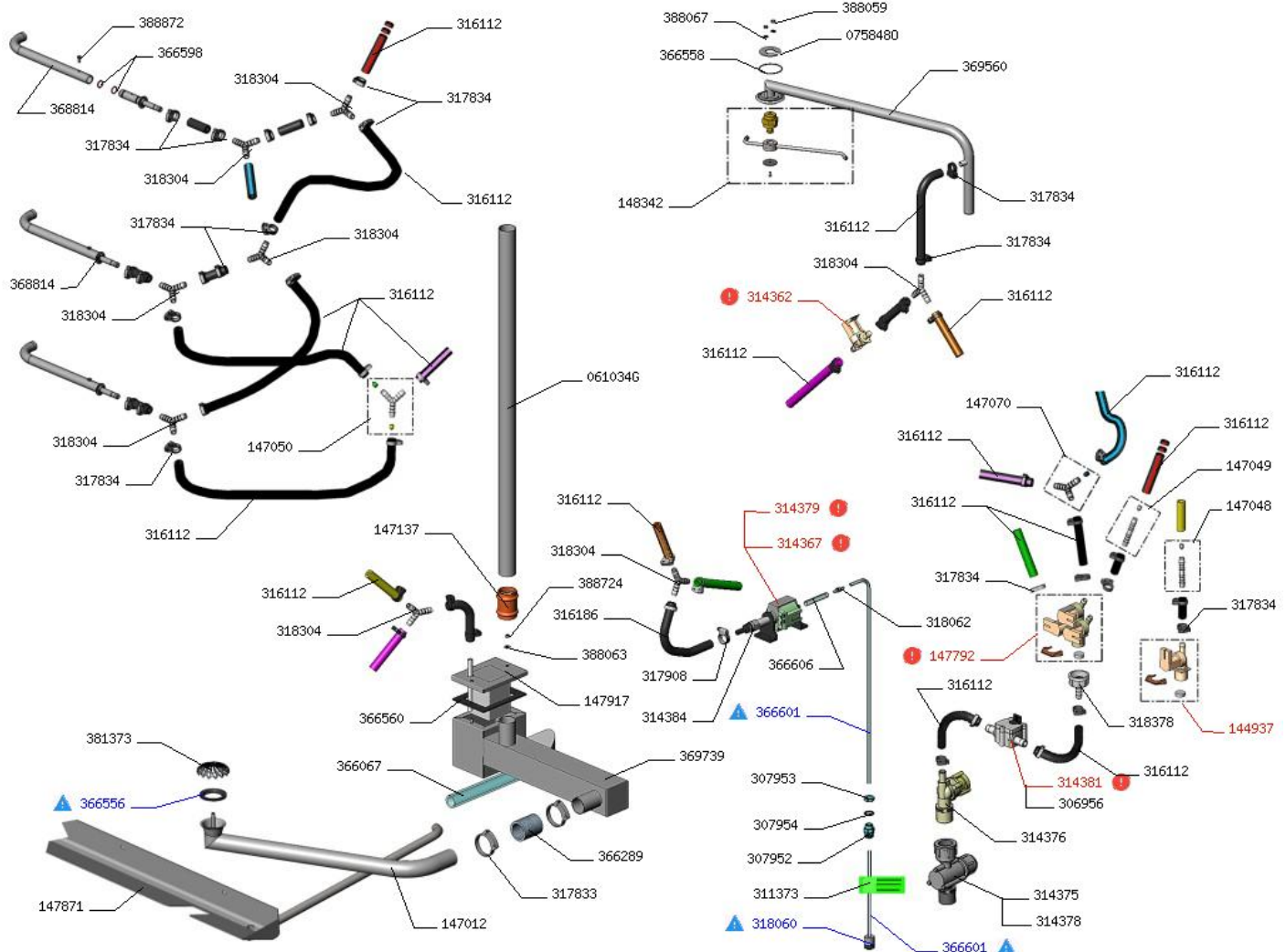
serial number start :

serial number end :

Start Date : 01-01-2017

End Date : 00-00-0000

Legend :	
	Spare Part
	Recommended Part
	Wearing Part



CODE	NAME	COMENTS	CAT
061034G	Flue extension, 6/8 levels, without generator		
0758480	Sealing washer for ceiling plugging		
144937	1 way 1 x 10 L/min solenoid valve		
147012	Capacity lower plate drainage sub-assembly		
147048	Straight fitting + 1.2 L/min flow-rate regulator subassembly (blue)		
147049	Straight fitting + 1.5 L/min flow-rate regulator subassembly (blue)		
147050	Y-shaped fitting + 2 x 0,25 L/min flow-rate regulator (white) subassembly		
147070	Y-shaped fitting + 1 x 0,25 L/min flow-rate regulator (white) subassembly		
147137	Copper sleeve sub-assembly, diameter 35 + O'ring		
147792	3 way solenoid valve, 2 x 10 L/min + 1 x 5 L/min		
147871	Collecting duct under door		
147917	Welded cover subassembly + condenser siphon bell		
148342	Rotary wash head sub assembly		
306956	Digmesa Flowmeter Beam		
307952	Plastic gland PE9		
307953	Polycarbonate gland nut PE9		

Remplace par le code 369593



# HEJ201E- Hobart:Combi 20 Levels GN1/1 (Elec)

HEJ201E

Start Prod 01/01/2017 End Prod

CODE	NAME	COMENTS	CAT
307954	Flat neoprene gasket for PE9 gland		
311373	Cleaning product identification label		
314362	Inlet/outlet 1 way solenoid valve, 10 L/min		!
314367	Pump kit	50Hz	!
314375	Straight cold water arrival filter M3/4		
314376	10 dia. entry pressure regulator M3/4, 3 bar		
314378	Filter		
314379	CP2A pump	60Hz	!
314381	FHKUC flow meter		!
314384	After sales kit, connection and seal		
316112	Armoured hose		
316112	Armoured hose		
316112	Armoured hose		
316112	Armoured hose		
316112	Armoured hose		
316112	Armoured hose		
316112	Armoured hose		
316112	Armoured hose		
316112	Armoured hose		
316112	Armoured hose		
316112	Armoured hose		
316112	Armoured hose		
316112	Armoured hose		
316112	Armoured hose		
316112	Armoured hose		
316112	Armoured hose		
316186	EPDM 10mm ID dia smooth black hose		
317833	S41/44,5 twin plastic tightening		
317834	Double female plastic clamp 15/17,2		
317834	Double female plastic clamp 15/17,2		
317834	Double female plastic clamp 15/17,2		
317834	Double female plastic clamp 15/17,2		
317834	Double female plastic clamp 15/17,2		
317834	Double female plastic clamp 15/17,2		
317834	Double female plastic clamp 15/17,2		
317834	Double female plastic clamp 15/17,2		
317834	Double female plastic clamp 15/17,2		
317908	Stainless steel 7 x 11 screw clamp		
318060	Base weight		▲
318062	Polypropylen reduced coupling 4,8-4		
318304	Y-shaped coupling (equal branches), diameter 10		
318304	Y-shaped coupling (equal branches), diameter 10		
318304	Y-shaped coupling (equal branches), diameter 10		
318304	Y-shaped coupling (equal branches), diameter 10		
318304	Y-shaped coupling (equal branches), diameter 10		
318304	Y-shaped coupling (equal branches), diameter 10		
318304	Y-shaped coupling (equal branches), diameter 10		
318304	Y-shaped coupling (equal branches), diameter 10		
318304	Y-shaped coupling (equal branches), diameter 10		
318378	Straight plastic cover connector nut 3/4 x 10		
366067	15/21 transparent silicone tube (per meter)		
366289	Dark blue silicone tube		
366556	Capacity drainage gasket		▲
366558	250 degrees heat-resistant silicone o'ring		
366560	Condenser siphon lid gasket		
366598	12.5mm internal dia 1.5 Tore O ring		
366601	4 x 6 PVC hose per meter		▲
366601	4 x 6 PVC hose per meter		▲
366606	Reinforced Hose 5x10		
368814	Injection pipe		
368814	Injection pipe		





# HEJ201E- Hobart:Combi 20 Levels GN1/1 (Elec)

HEJ201E

Start Prod 01/01/2017 End Prod

CODE	NAME	COMENTS	CAT
369560	Wash arm support (rinse)		
369739	20 level oven condenser		
381373	Moulded drain grill		
388059	Stainless steller HU 5 nut		
388063	M5 stainless steel flat washer		
388067	Size 5 stainless steel AZ tooth lockwasher		
388724	Bras hex M5 nut		
388872	TH M4 x 6 stainless steel screw		

HEJ201E

Start Prod 01/01/2017 End Prod

**VIEW 80 : Fan sub assembly**

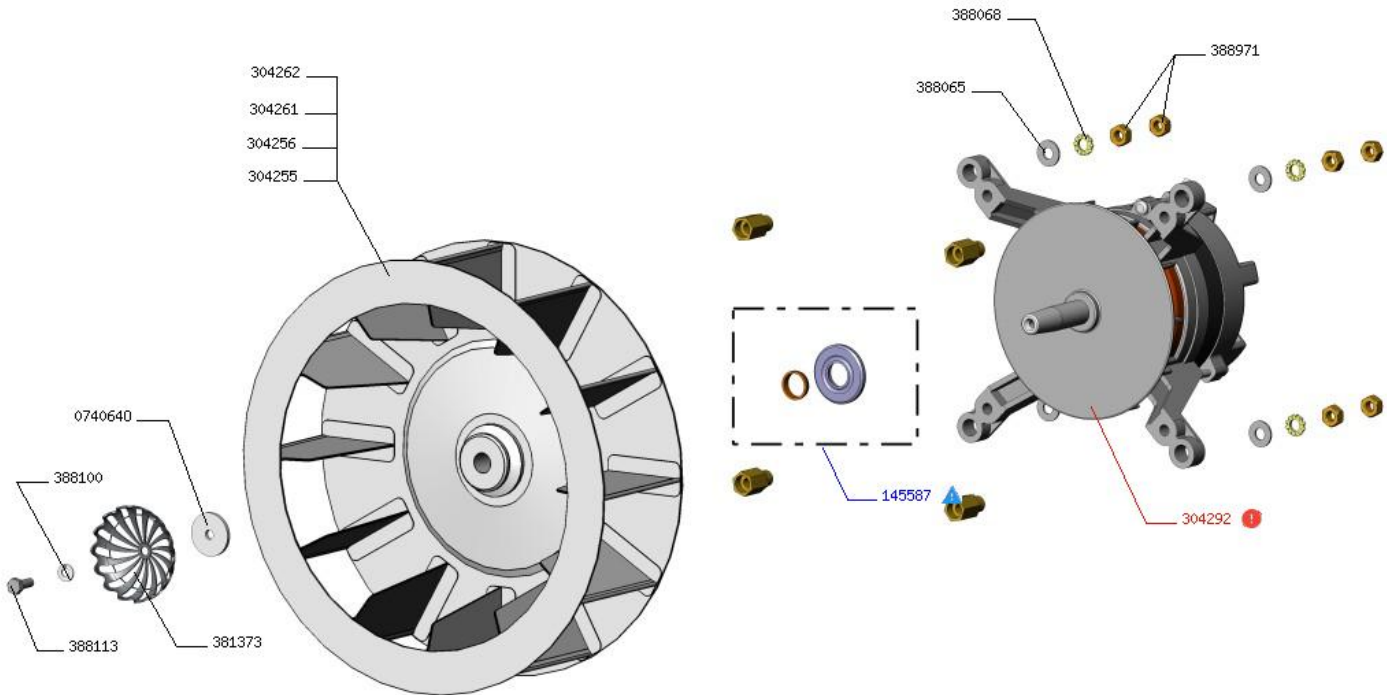
serial number start :

serial number end :

Start Date : 01-01-2017

End Date : 00-00-0000

Legend :	
	Spare Part
	Recommended Part
	Wearing Part



CODE	NAME	COMENTS	CAT
0740640	30 m/m washer of driving shaft end		
145587	Drive shaft gasket + wear ring		
304255	304L stainless steel 12 blade turbine	50 Hz - 6 GN1/1 and 20 GN1/1 ovens	
304256	304L stainless steel 6 blade turbine	60 Hz	
304261	304L stainless steel 18 blade turbine	50 Hz - 10 GN1/1 electric and 20 GN 2/1 gas ovens	
304262	Turbine in stainless steel 304L with 18 straight blades and 14 tapered bore, diameter 315	50 Hz - Fours 10 GN1/1 gaz - Fours 10 GN2/1 et 20 GN2/1	
304292	Motor		
381373	Moulded drain grill		
388065	M8 stainless steel flat washer		
388068	Size 8 stainless steel AZ tooth lockwasher		
388100	6 diameter stainless steel washer		
388113	TH 6 x 40 stainless steel screw		
388971	Brass nut M8 HU as per DIN 934		

HEJ201E

Start Prod 01/01/2017 End Prod

**VIEW 90 : Elements sub assembly**

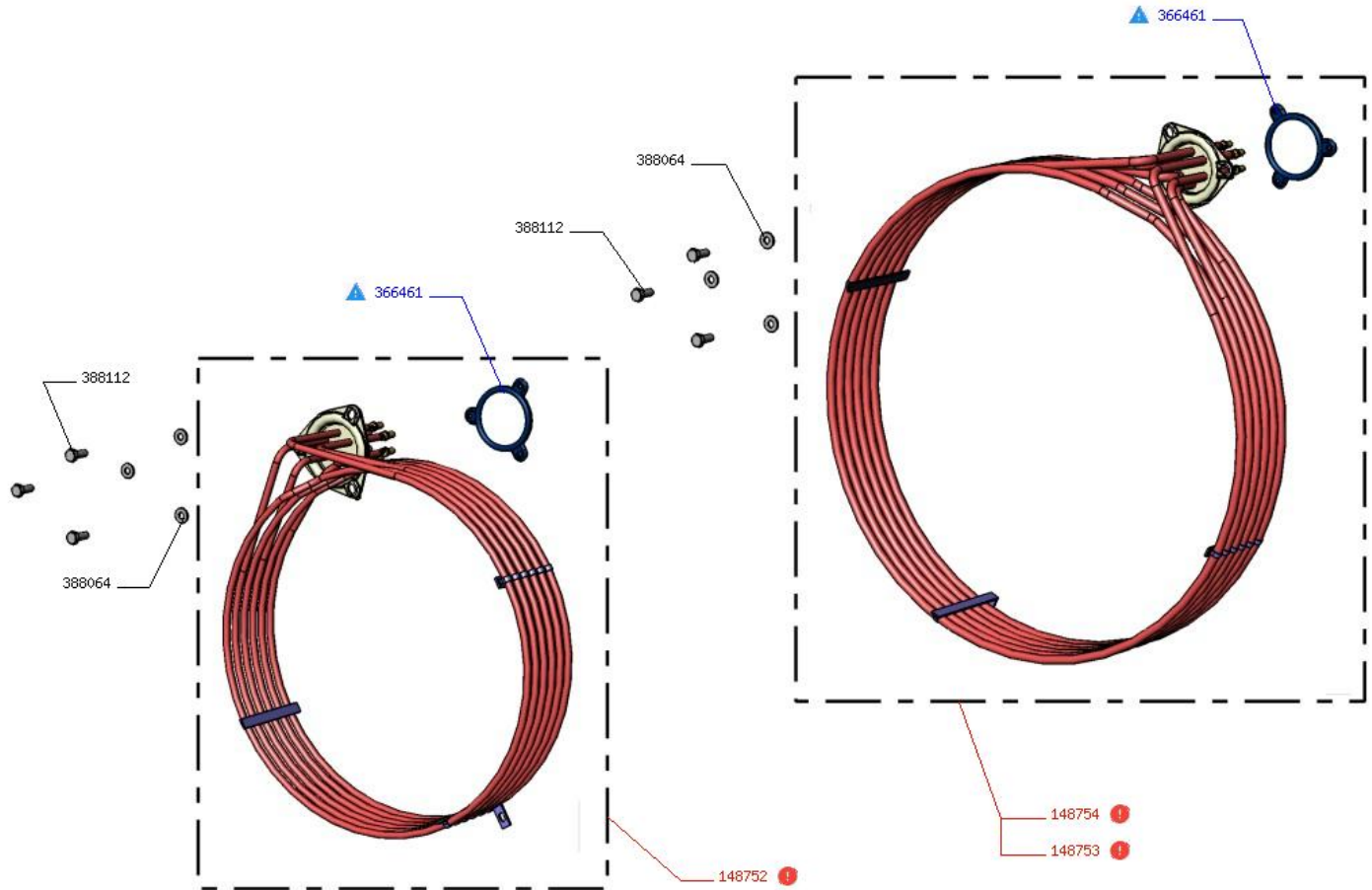
serial number start :

serial number end :

Start Date : 01-01-2017

End Date : 00-00-0000

Legend :	
	Spare Part
	Recommended Part
	Wearing Part



CODE	NAME	COMENTS	CAT
148752	After sales kit 9kW element 340 dia + seal	6 GN1/1, 10 GN2/1, 20 GN1/1 and 20 GN2/1 ovens	
148753	After sales kit 15kW element 500 dia + seal	10-level GN 1/1 and GN 2/1 oven	
148754	After sales kit 9kW element 430 dia + seal	20 GN2/1 ovens	
366461	Heating element + immersion heater gasket		
366461	Heating element + immersion heater gasket		
388064	M6 stainless steel flat washer		
388064	M6 stainless steel flat washer		
388112	TH 8 x 16 stainless steel screw		
388112	TH 8 x 16 stainless steel screw		

HEJ201E

Start Prod 01/01/2017 End Prod

**VIEW 100 : Motorised vent sub assembly**

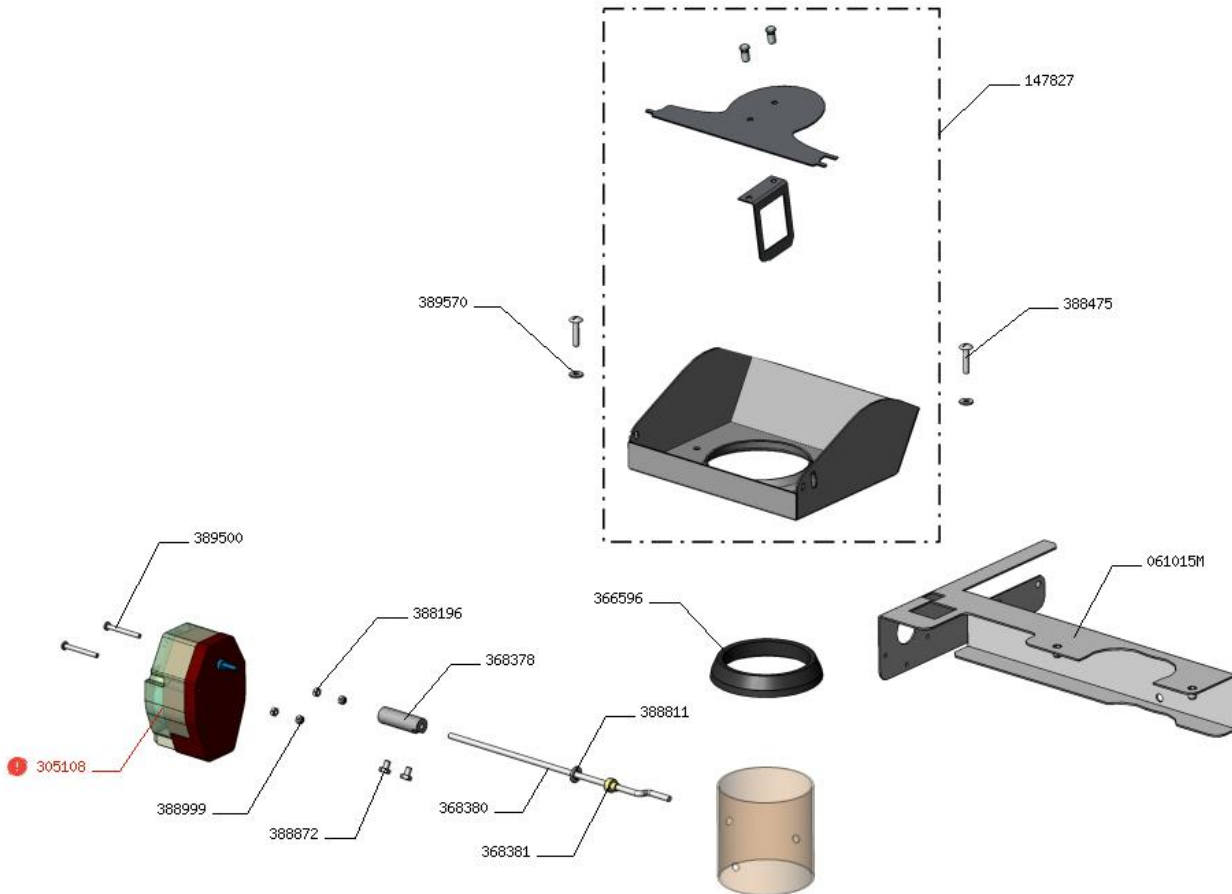
serial number start :

serial number end :

Start Date : 01-01-2017

End Date : 00-00-0000

Legend :	
	Spare Part
!	Recommended Part
⚠	Wearing Part



CODE	NAME	COMENTS	CAT
061015M	Flue / moto reducer link		
147827	After sales kit for vent flap		
305108	Reducing gear with center return spring, 85 degrees		!
366596	Chimney tube seal		
368378	Motor / flue link		
368380	Flue rod		
368381	Connecting rod bearing		
388196	Stainless steel HU 3 nut		
388475	TRL 4 x 16 stainless steel philips round head screw		
388811	Washer diameter 11,5 x 1,3		
388872	TH M4 x 6 stainless steel screw		
388999	Stainless steel Nylstop M3 lock nut		
389500	Split head stainless steel screw, size 3 x 45		
389570	9 x 4.3 DIN 125 washer 1.4 thick		