



CATALOG OF REPLACEMENT PARTS



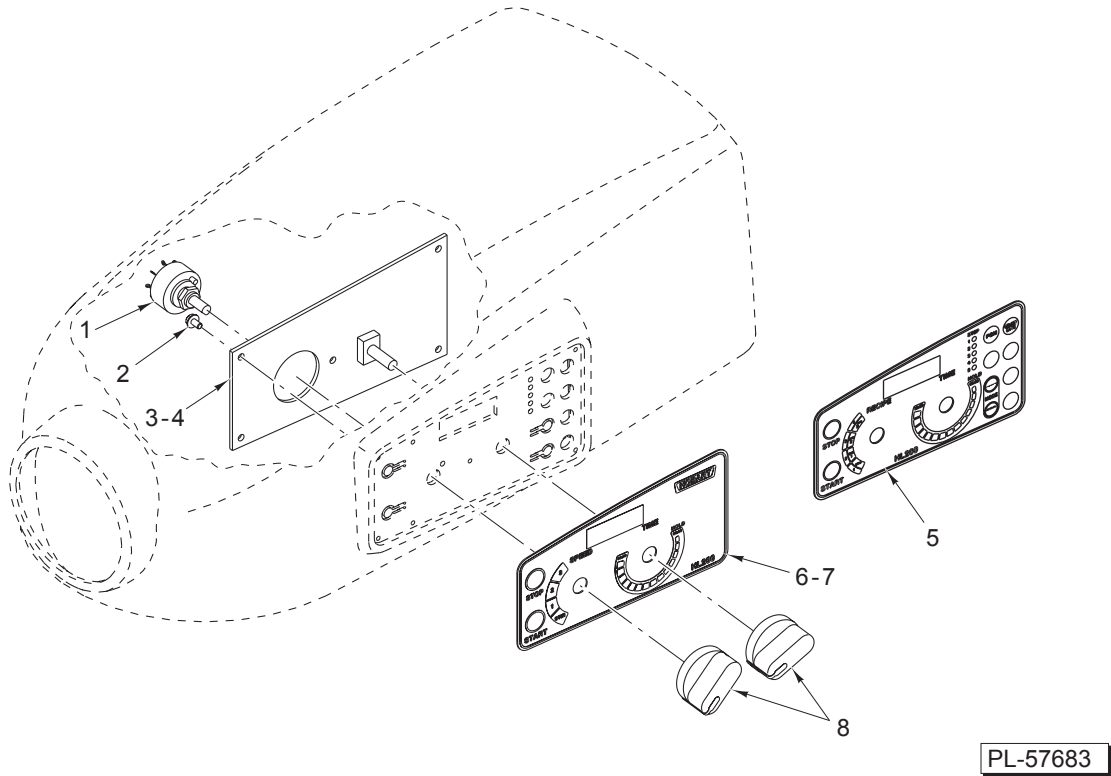
LEGACY MIXER

HL120
HL200

ML-134296
ML-134289

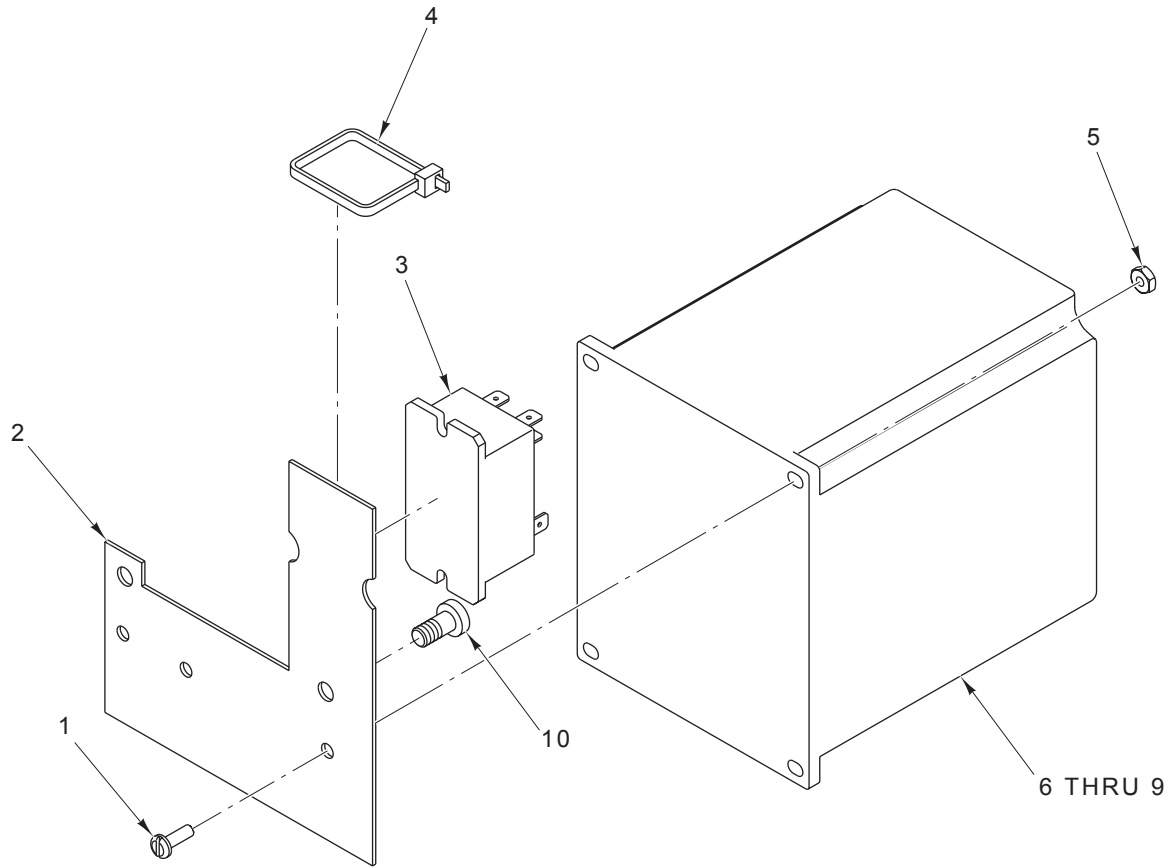
Table of Contents

3	CONTROL PANEL
4	ELECTRICAL COMPONENTS
5	ATTACHMENT HUB
7	BASE AND PEDESTAL
8	BOWL SUPPORT
9	TRANSMISSION CASE AND MOTOR
11	TRANSMISSION
13	PLANETARY
15	BOWL AND BOWL GUARD
17	AGITATORS AND ACCESSORIES
19	MIXER TABLE (ML-134299)
20	WIRING HARNESSSES



CONTROL PANEL

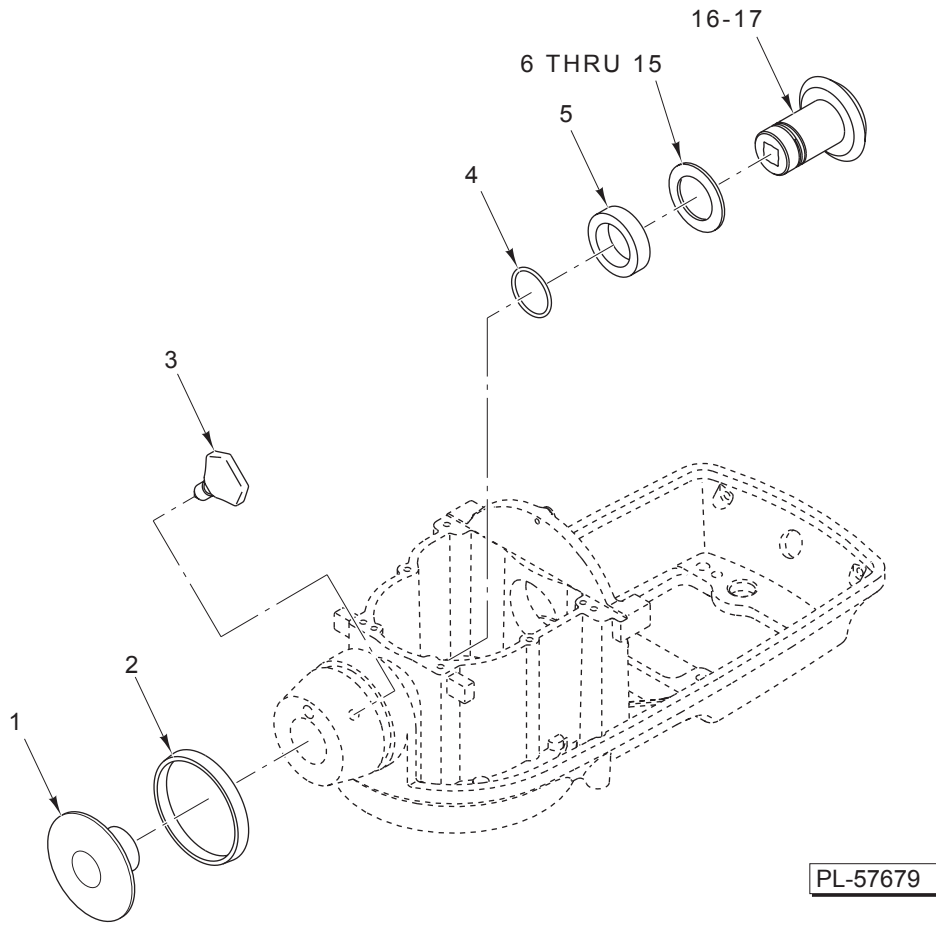
ILLUS.	PART NO.	NAME OF PART	AMT.
	PL-57683		
1	00-874831	Switch – Speed Selector Assy.	1
2	SD-039-23	Self-Tapping Screw 6-32 x 1/4 Hex Washer Hd., Type RL	5
3	00-874883	Board – Timer	1
4	00-874806	Board – Timer (Recipe) (ML-134289)	1
5	00-874811	Overlay (W/Recipe Timer) (ML-134289)	1
6	00-874881	Overlay (W/O Recipe Timer) (ML-134289)	1
7	00-874868	Overlay (ML-134296)	1
8	00-874809	Knob	2



PL-57687

ELECTRICAL COMPONENTS

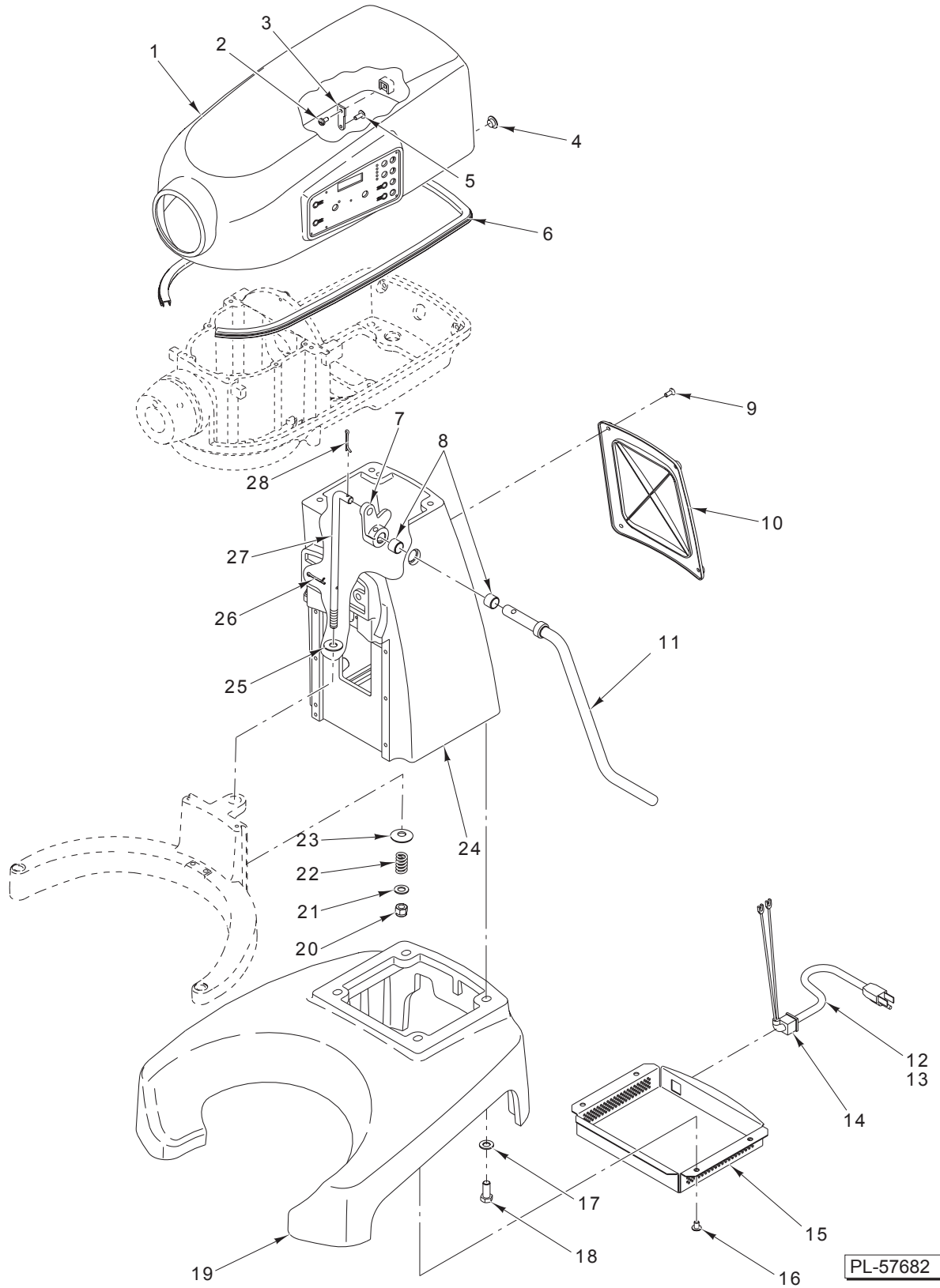
ILLUS.	PART NO.	NAME OF PART	AMT.
PL-57687			
1	SC-018-38	Mach. Screw 8-32 x 1/2 Slotted Pan Hd.	2
2	00-874763	Bracket – Controller	1
3	00-087714-067-1	Relay (2 Pole, 30 Amp.)	1
4	00-539847	Tie – Cable 8 In.	1
5	NS-009-12	Mach. Nut 8-32 Hex	2
6	00-874775-00002	Motor Drive (120 V.) (ML-134289)	1
7	00-874776-00002	Motor Drive (240 V.) (ML-134289)	1
8	00-874865	Motor Drive (120 V.) (ML-134296)	1
9	00-874866	Motor Drive (240 V.) (ML-134296)	1
10	SC-114-80	Mach. Screw 1/4-20 x 3/8 Slotted Pan Hd.	2



PL-57679

ATTACHMENT HUB

ILLUS.	PART NO.	NAME OF PART	AMT.
PL-57679			
1	00-114824-00001	Plug – Attachment	1
2	00-874844	Attachment – Hub Seal	1
3	00-108197-00001	Screw – Thumb 1.125	1
4	OR-001-03	O-Ring – Quad	1
5	00-874837	Spacer	1
6	00-012746-00005	Washer – Thrust (0.080)	AR
7	00-012746-00006	Washer – Thrust (0.106)	AR
8	00-012746-00007	Washer – Thrust (0.092)	AR
9	00-012746-00008	Washer – Thrust (0.086)	AR
10	00-012746-00009	Washer – Thrust (0.098)	AR
11	00-012746-00010	Washer – Thrust (0.112)	AR
12	00-012746-00012	Washer – Thrust (0.119)	AR
13	00-012746-00013	Washer – Thrust (0.121)	AR
14	00-012746-00016	Washer – Thrust (0.129)	AR
15	00-012746-00019	Washer – Thrust (0.115)	AR
16	00-435065-00002	Bevel Gear Seal Assy. (Incls. Item 17)	1
17	PL-003-17	Plug – Expansion	1

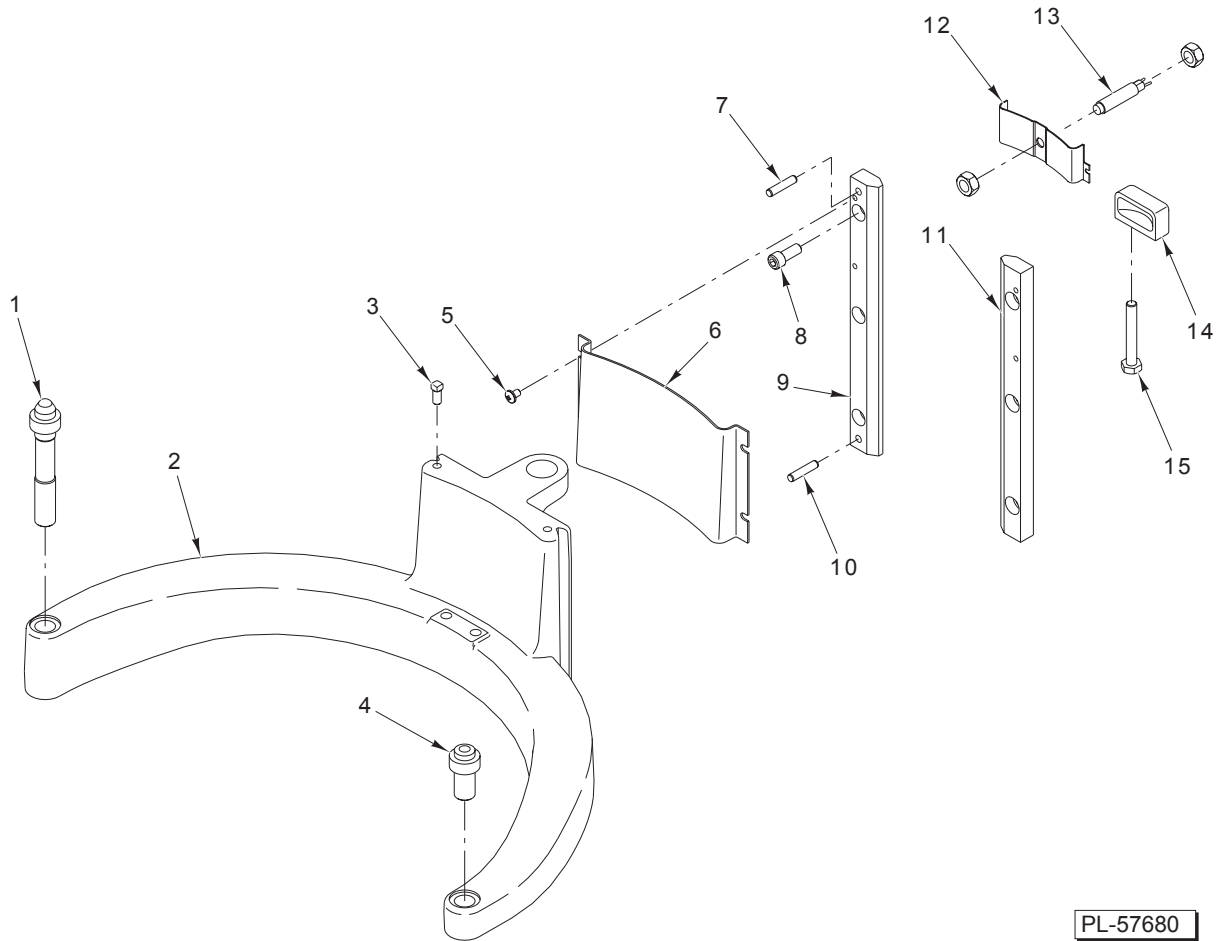


PL-57682

BASE AND PEDESTAL

BASE AND PEDESTAL

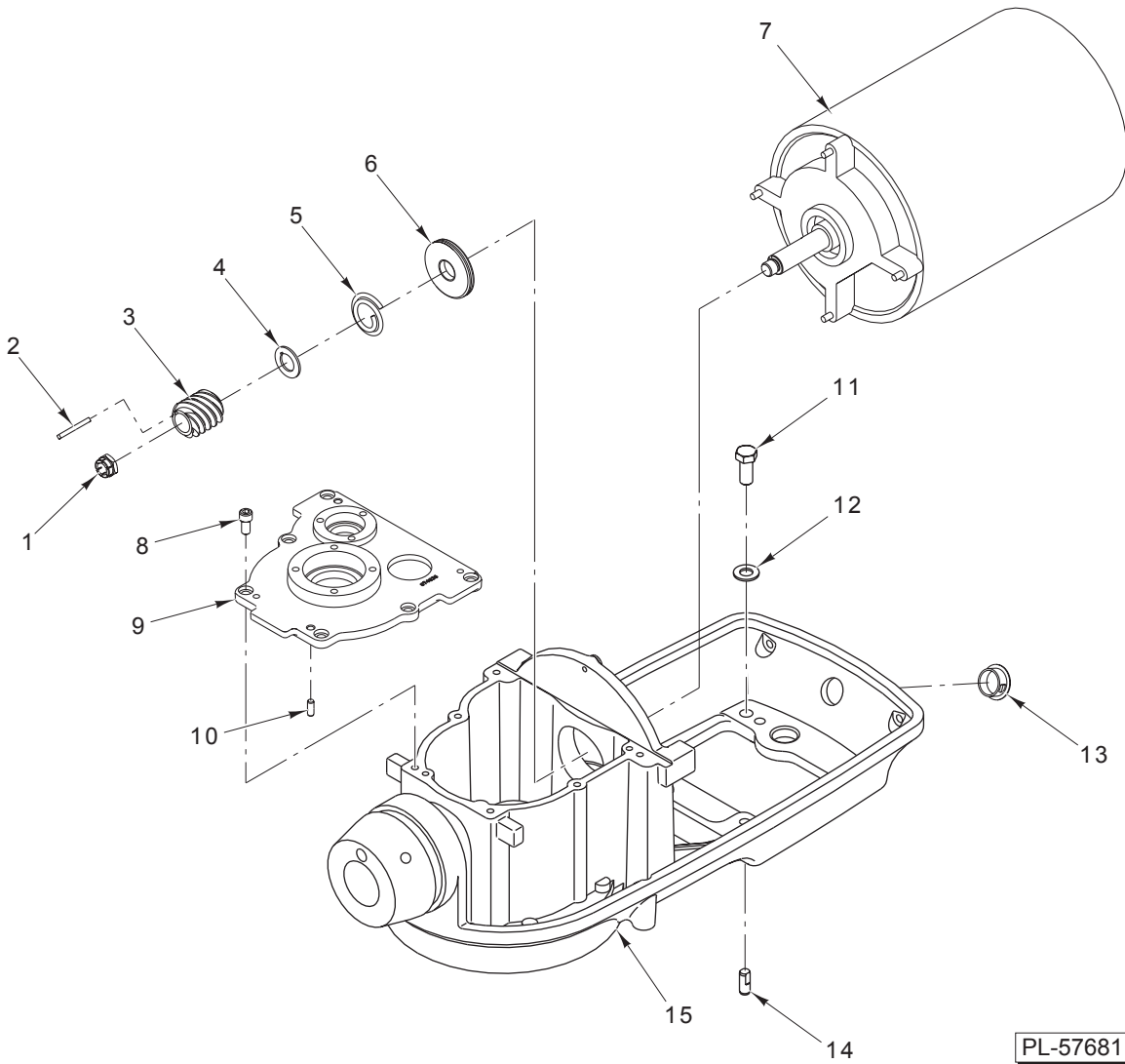
ILLUS.	PART NO.	NAME OF PART	AMT.
PL-57682			
1	00-874800	Cover – Top	1
2	SD-024-01	Self-Tapping Screw 10-24 x 3/8 Slotted Pan Hd., Type TT	2
3	00-874829	Tab – Cover Mounting	2
4	00-874857	Plug – Hole	1
5	SC-066-20	Mach. Screw 10-32 x 1/2 Phil. Truss Hd. (SST)	2
6	00-874856	Seal – Top Cover	1
7	00-874756	Arm – Bowl Lift	1
8	00-479510	Bushing – Bowl Lift	2
9	SC-015-34	Mach. Screw 10-24 x 1/2 Slotted Oval Hd.	4
10	00-874749	Cover – Pedestal (Back)	1
11	00-874745	Handle & Bushing – Bowl Lift	1
12	00-117542-00100	Cord & Plug Assy. (120 V.)	1
13	00-117542-00102	Cord & Plug Assy. (240 V.)	1
14	FE-026-34	Relief – Strain - Electrical	1
15	00-874760	Cover – Controller	1
16	SC-114-80	Mach. Screw 1/4-20 x 3/8 Phil. Pan Hd.	4
17	WS-018-24	Washer	4
18	SC-118-11	Cap Screw 3/8-16 x 7/8 Hex Hd.	4
19	00-874720-00002	Base	1
20	NS-036-15	Stop Nut 3/8-24 Special	1
21	WS-006-26	Washer	1
22	00-012782	Spring	1
23	00-012745	Plug	1
24	00-874723-00002	Pedestal	1
25	WS-006-33	Washer	1
26	PC-003-55	Cotter Pin 1/8	1
27	00-874748	Rod – Bowl Lift	1
28	PC-003-55	Cotter Pin 1/8	1



PL-57680

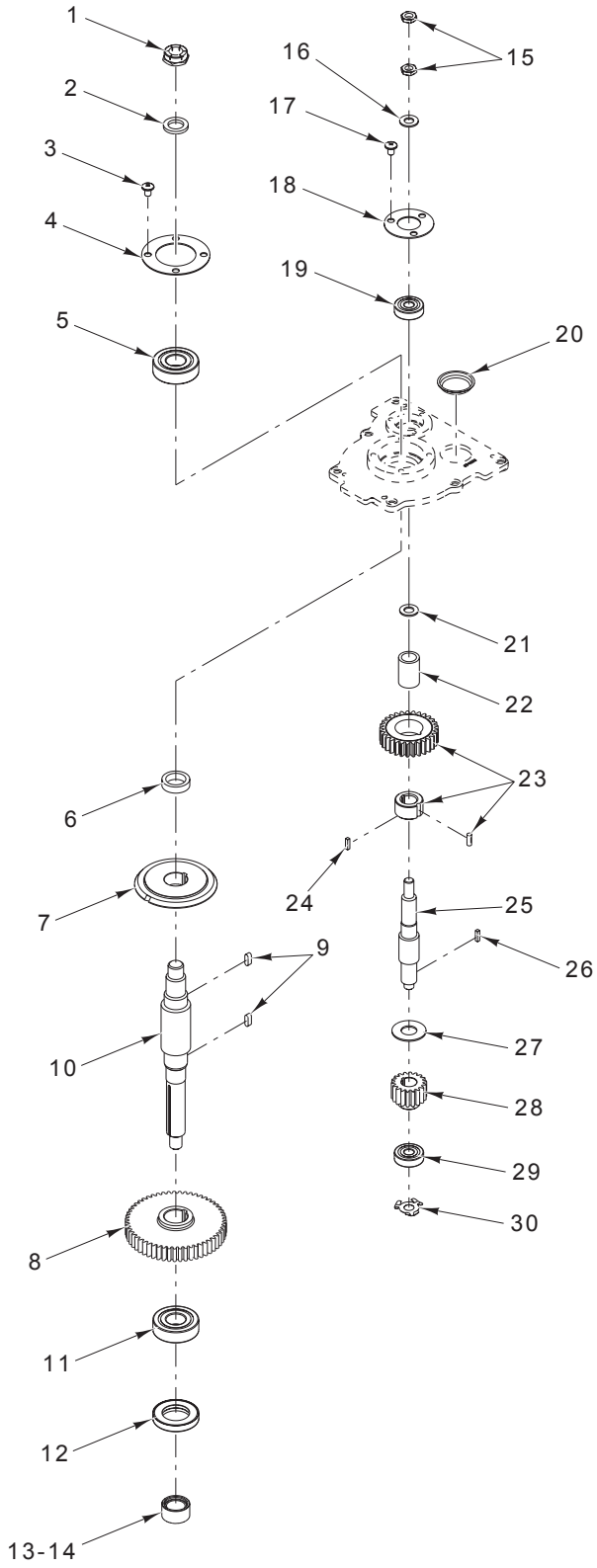
BOWL SUPPORT

ILLUS.	PART NO.	NAME OF PART	AMT.
PL-57680			
1	00-874726	Pin – Bowl (LH)	1
2	00-874841-00002	Support – Bowl	1
3	SC-129-22	Set Screw 1/4-20 x 1/4 Sq. Hd. Cup Pt.	2
4	00-874727	Pin – Bowl (RH)	1
5	SC-122-59	Mach. Screw 8-32 x 1/4 Phil. Pan Hd. (SST)	4
6	00-874742	Apron	1
7	00-011800-00187	Dowel	2
8	SC-040-77	Cap Screw 1/4-20 x 5/8 Hex Socket Hd.	6
9	00-874738-00001	Slideway – Bowl Lift (LH)	1
10	00-011800-00187	Dowel	2
11	00-874738-00002	Slideway – Bowl Lift (RH)	1
12	00-874884	Cover – Bowl Interlock	1
13	00-087711-00352	Switch – Reed	1
14	00-874842	Hold Down – Bowl (Rear)	1
15	SC-062-69	Cap Screw 1/4-20 x 1 3/4 Hex Hd.	2



TRANSMISSION CASE AND MOTOR

ILLUS.	PART NO.	NAME OF PART	AMT.
PL-57681			
1	NS-032-23	Locknut ⁷ / ₁₆ -20 Special	1
2	00-012430-00004	Key ¹ / ₈ x ¹ / ₈ x 1 ¹ / ₄	1
3	00-291221	Worm – Gear 60 Cycle	1
4	00-012754	Washer	1
5	00-012757	Absorber – Shock Spring	1
6	00-874820	Deflector – Grease (LH)	1
7	00-874634	Motor	1
8	SC-089-01	Cap Screw ¹ / ₄ -20 x ¹ / ₂ Hex Socket Hd.	6
9	00-874755	Cover – Transmission	1
10	00-011800-00061	Dowel ³ / ₁₆ x ¹ / ₂ SAE	3
11	SC-118-11	Cap Screw ³ / ₈ -16 x ⁷ / ₈ Hex Hd.	4
12	WS-018-24	Washer	4
13	00-874857	Plug	1
14	00-270776	Dowel	2
15	00-874783	Transmission Case – Lower	1

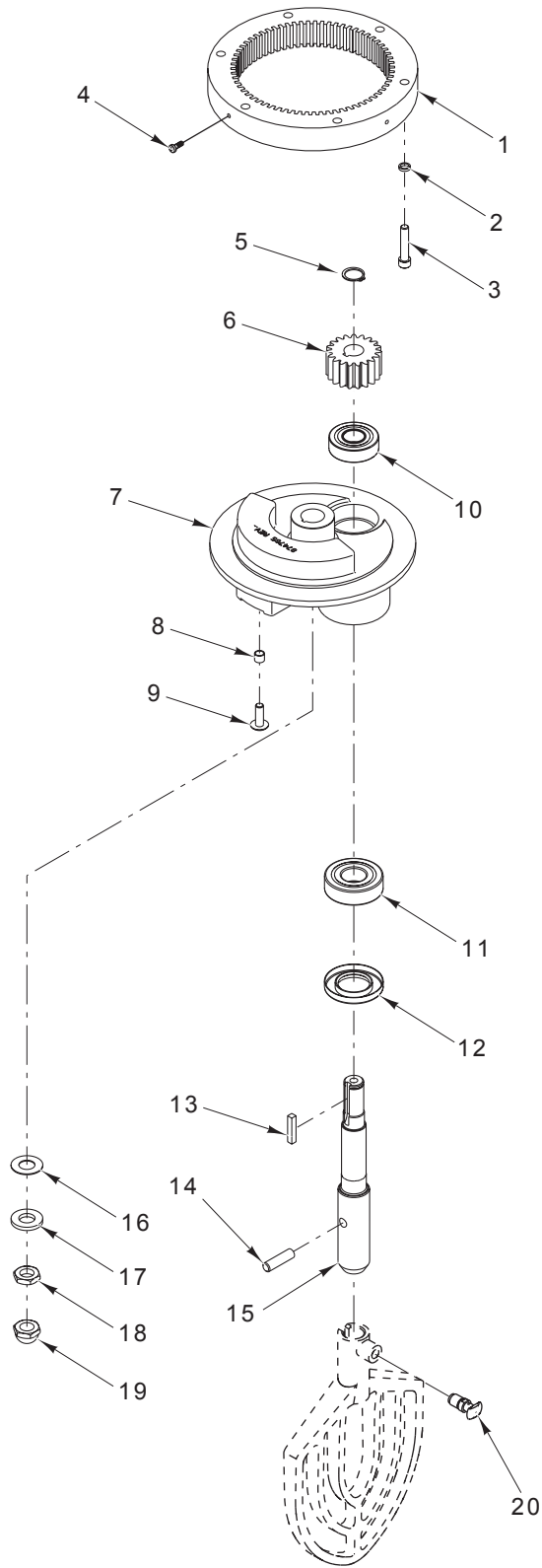


PL-57684

TRANSMISSION

TRANSMISSION

ILLUS. PL-57684	PART NO.	NAME OF PART	AMT.
1	NS-032-37	Locknut ⁵ / ₈ -18 Special	1
2	WS-031-41	Washer	1
3	SC-114-80	Mach. Screw ¹ / ₄ -20 x ³ / ₈ Phil. Pan Hd.	4
4	00-874787	Retainer – Planetary Bearing	1
5	BB-005-34	Bearing – Ball	1
6	00-874793	Spacer – Planetary	1
7	00-124733-00002	Gear – Bevel (46T, 14P)	1
8	00-874778	Gear (55T, 14P)	1
9	00-012430-00046	Key ³ / ₁₆ x ³ / ₁₆ x ¹⁷ / ₃₂	2
10	00-874635	Shaft – Planetary	1
11	BB-020-06	Bearing – Ball Fafnir 204K	1
12	00-114695	Seal – Oil	1
13	00-874724	Spacer – Planetary Bearing	1
14	00-067500-00078	O-Ring	1
15	00-012710	Nut – Retaining	2
16	WS-006-36	Washer	1
17	SC-114-80	Mach. Screw ¹ / ₄ -20 x ³ / ₈ Phil. Pan Hd.	3
18	00-874788	Retainer – Bearing	1
19	BB-005-01	Bearing – Ball Fafnir 200K	1
20	00-064871	Plug – Friction	1
21	WS-006-26	Washer	1
22	00-874780	Spacer – Gear	1
23	00-124751-00003	Worm Wheel & Bushing	1
24	00-012430-00024	Key ¹ / ₈ x ¹ / ₈ x 1 ¹ / ₂	1
25	00-874779	Shaft – Worm Wheel	1
26	00-012430-00024	Key ¹ / ₈ x ¹ / ₈ x 1 ¹ / ₂	1
27	WS-010-36	Washer	1
28	00-874777	Gear (18T, 14P)	1
29	BB-005-01	Bearing – Ball Fafnir 200K	1
30	SL-002-08	Spring – Loading	1

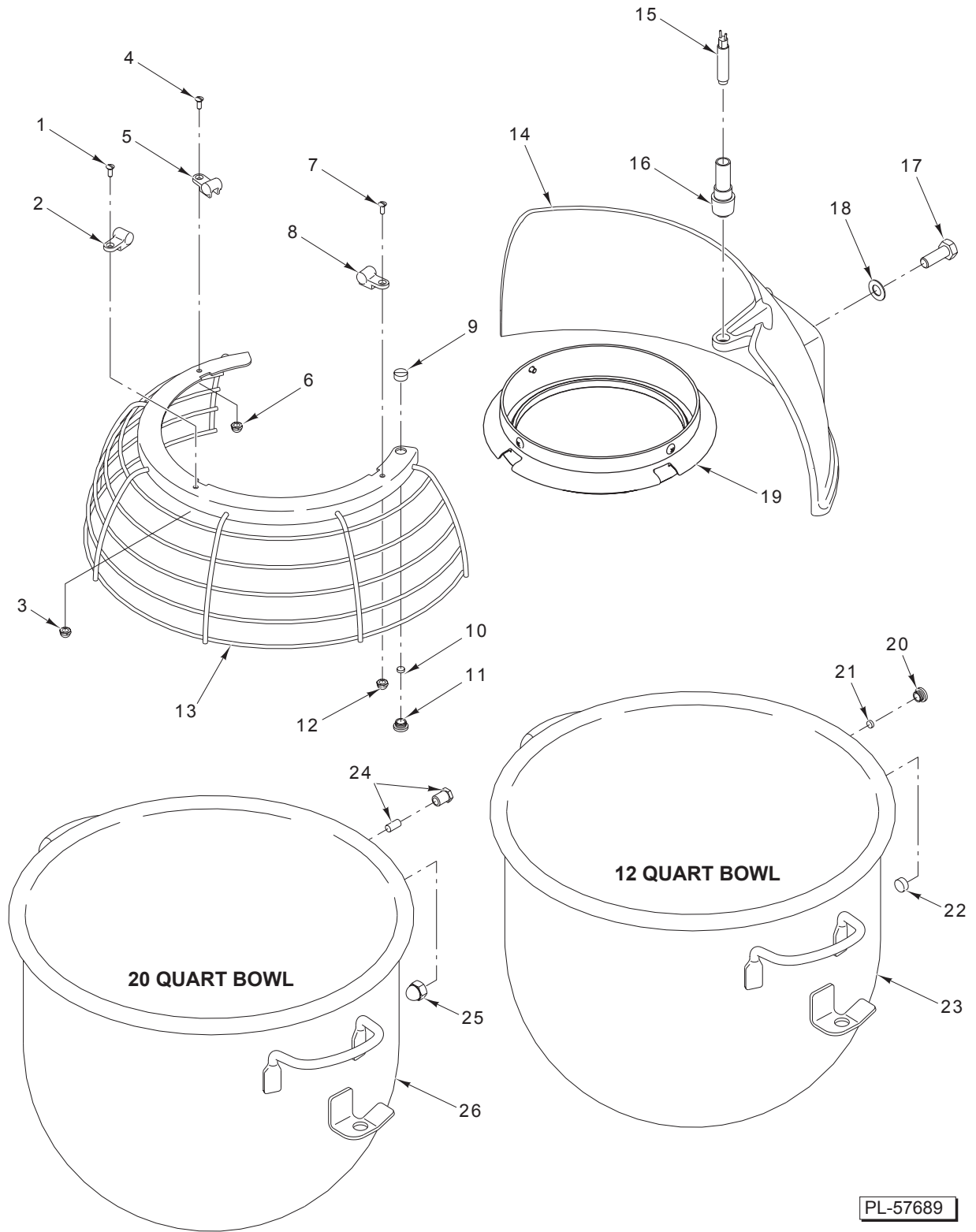


PL-57685

PLANETARY

PLANETARY

ILLUS.	PART NO.	NAME OF PART	AMT.
PL-57685			
1	00-438524-00002	Gear – Internal.....	1
2	WL-003-35	Lockwasher 1/4 Helical.....	6
3	SC-040-09	Cap Screw 1/4-20 x 1 1/4 Hex Socket Hd.	6
4	SC-066-13	Mach. Screw 8-32 x 1/4 Phil. Truss Hd. (SST).....	3
5	RR-004-18	Ring – Retaining.....	1
6	00-015217	Pinion – Beater (19T).....	1
7	00-874766-00002	Planetary.....	1
8	00-874770	Spacer Bowl Scraper.....	2
9	SC-053-46	Mach. Screw 1/4-20 x 3/4 Slotted Truss Hd. (SST).....	2
10	BB-018-17	Bearing – Ball Hoover/NSK 6203 DDU.....	1
11	BB-005-34	Bearing – Ball Hoover/NSK 6204 DDU.....	1
12	00-023482	Seal – Grease 1 In. Dia. Shaft.....	1
13	00-012430-00055	Key 3/16 x 3/16 x 1.....	1
14	00-065062-00001	Pin – Dowel.....	1
15	00-874739	Shaft – Agitator.....	1
16	00-124946	Washer 1/32.....	1
17	WS-030-83	Washer.....	1
18	00-010928-00002	Nut.....	1
19	00-024715-00003	Acorn Nut 1/2-20.....	1
20	00-874753	Plunger Assy.	1
	00-874767	Planetary Subassy. (Incls. Items 5 thru 15).....	1



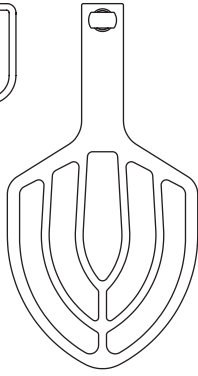
BOWL AND BOWL GUARD

BOWL AND BOWL GUARD

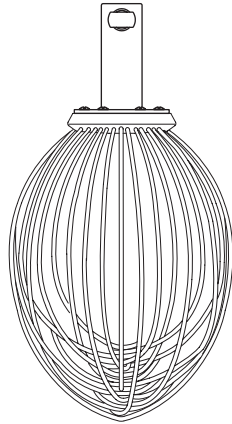
ILLUS.	PART NO.	NAME OF PART	AMT.
PL-57689			
1	SC-129-27	Mach. Screw 6-32 x 5/16 Slotted Oval Hd.	1
2	00-874816	Carrier – Wire Cage	1
3	NS-048-96	Crown Nut 6-32	1
4	SC-129-27	Mach. Screw 6-32 x 5/16 Slotted Oval Hd.	1
5	00-874816-00002	Carrier – Wire Cage (Slotted)	1
6	NS-048-96	Crown Nut 6-32	1
7	SC-129-27	Mach. Screw 6-32 x 5/16 Slotted Oval Hd.	1
8	00-874816	Carrier – Wire Cage	1
9	00-874887	Holder – Magnet (Upper)	1
10	00-874875	Magnet – Disc	1
11	00-874886	Holder – Magnet (Lower)	1
12	NS-048-96	Crown Nut 6-32	1
13	00-874822	Wire Cage Assy. (Incls. Items 1 thru 12)	1
14	00-874815	Guard – Splash	1
15	00-087711-00352	Switch – Reed	1
16	00-874786	Holder – Switch Reed	1
17	SC-062-81	Cap Screw 5/16-18 x 7/8 Hex Hd.	2
18	WS-017-37	Washer	2
19	00-874832	Cup – Drip & Flange	1
20	00-874887	Holder – Magnet (Upper)	1
21	00-874875	Magnet – Disc	1
22	00-874886	Holder – Magnet (Lower)	1
23	00-874864	Bowl Assy. (12 Qt.) (SST) (Packaged) (Incls. Items 20, 21, & 22)	1
24	00-874847	Housing & Magnet	1
25	NS-025-11	Crown Nut 3/8-24	1
26	00-874834	Bowl Assy. (20 Qt.) (SST) (Packaged) (ML-134289) (Incls. Items 24 & 25)	1



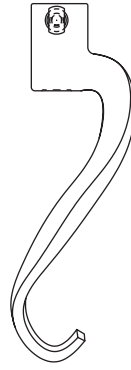
1



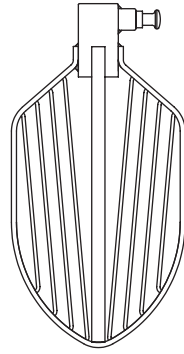
2



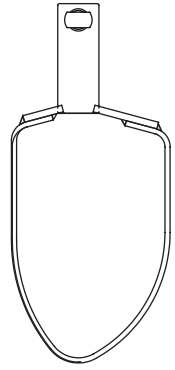
3



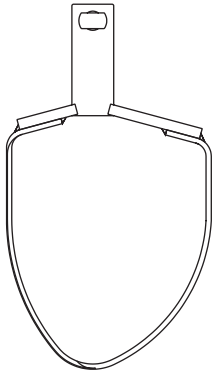
4



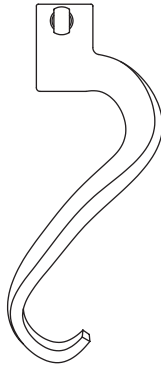
5



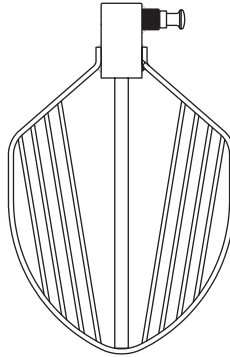
6



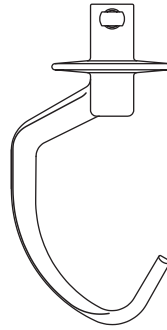
7



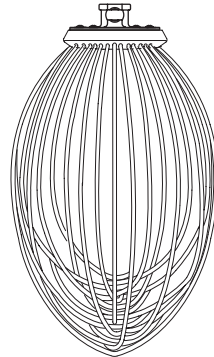
8



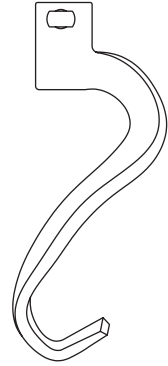
9



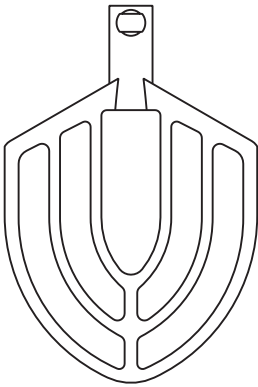
10



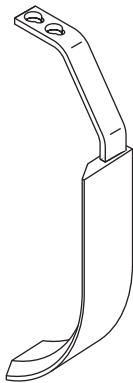
11



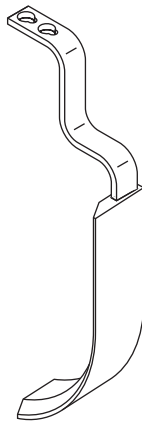
12



13



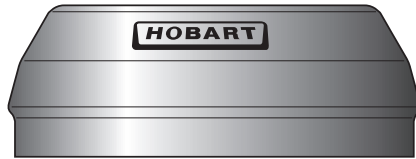
14



15



16



17



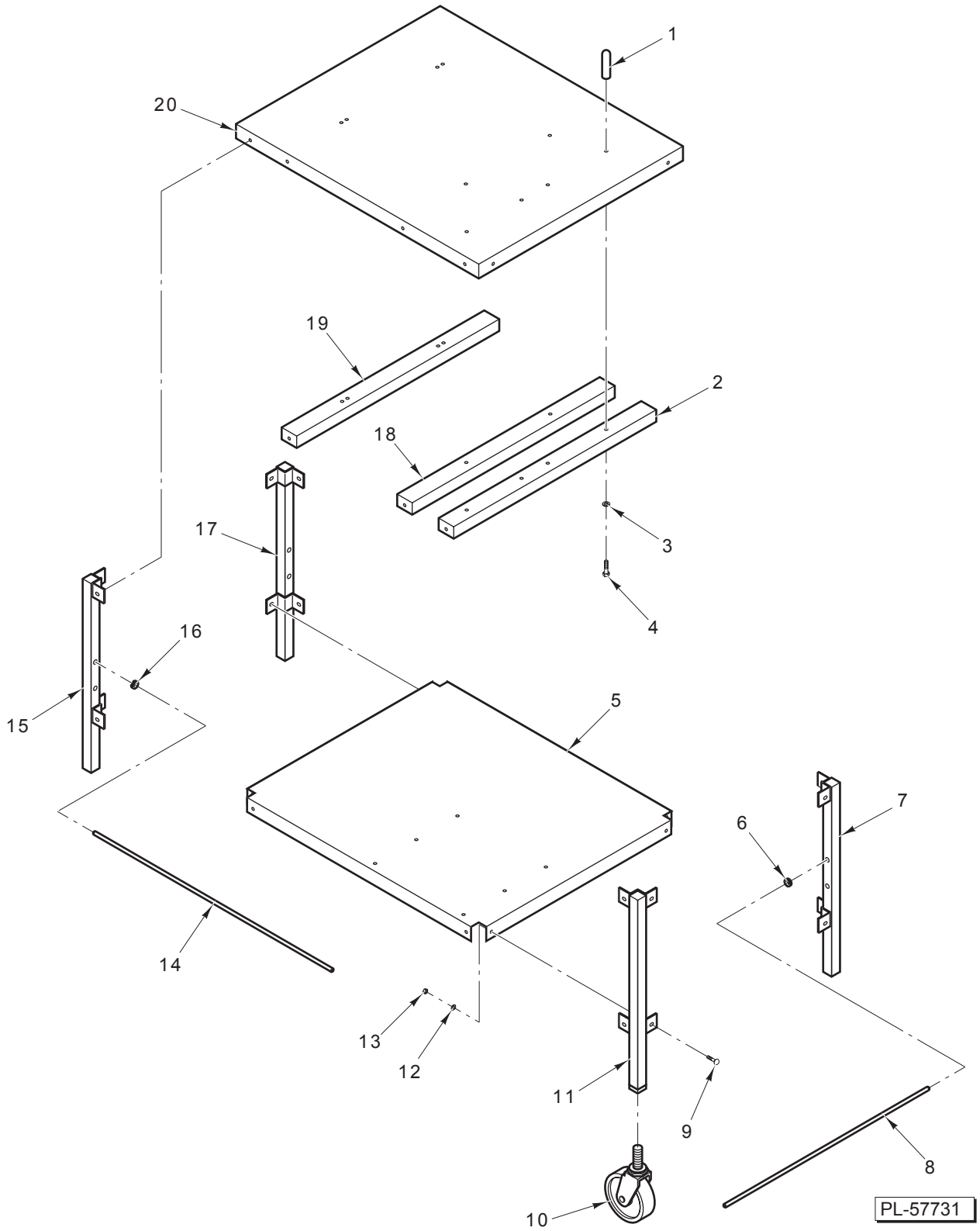
18

PL-57686

AGITATORS AND ACCESSORIES

AGITATORS AND ACCESSORIES

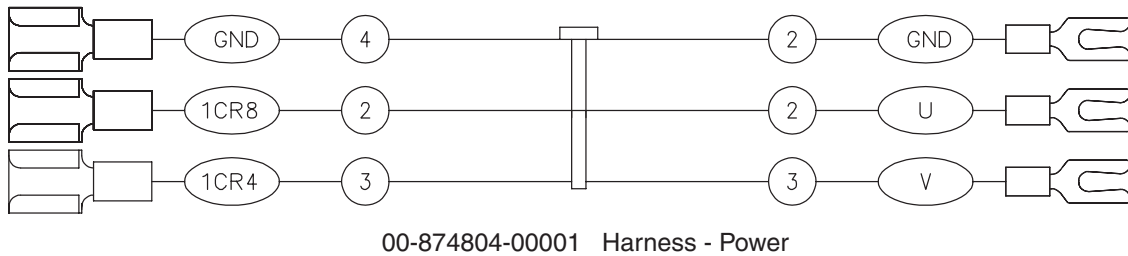
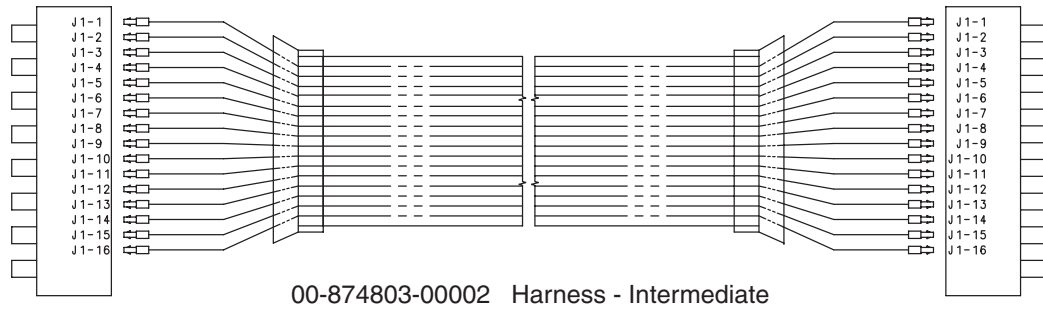
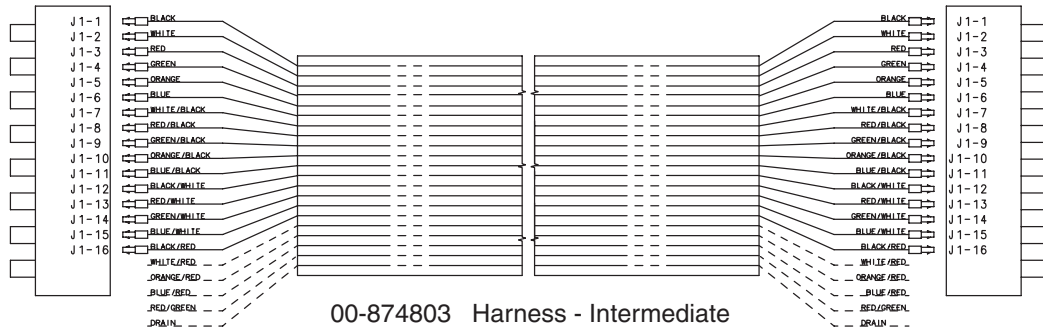
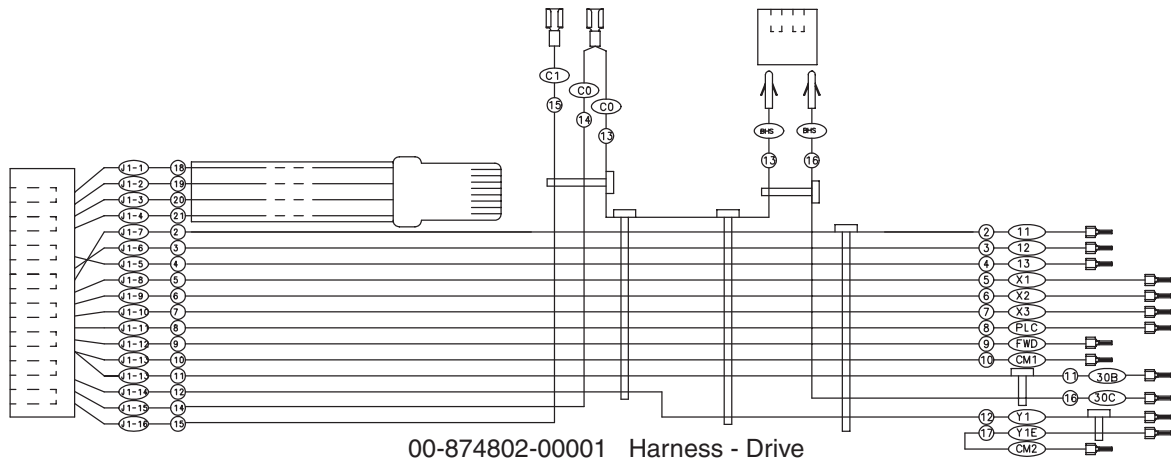
ILLUS.	PART NO.	NAME OF PART	AMT.
PL-57686			
1	00-118801	Scraper – Bowl (Handheld)	1
2	00-874828	"B" Beater (12 Qt.) (Packaged) (Incls. Item 1)	1
3	00-873360	"D" Wire Whip (12 Qt.) (Packaged) (Incls. Item 1)	1
4	00-873343	"ED" Dough Arm (12 Qt.) (Packaged) (Incls. Item 1)	1
5	00-875893	"C" Whip (12 Qt.) (Packaged) (Incls. Item 1) (ML-134296)	1
6	00-873370	Pastry Knife (12 Qt.) (Packaged) (Incls. Item 1) (ML-134296)	1
7	00-873294	Pastry Knife (20 Qt.) (Packaged) (Incls. Item 1) (ML-134289)	1
8	00-873313	"EDA" Dough Arm (20 Qt.) (Packaged) (Incls. Item 1) (ML-134289)	1
9	00-873331	"C" Whip (20 Qt.) (Packaged) (Incls. Item 1) (ML-134289)	1
10	00-873335	"E" Dough Arm (20 Qt.) (Packaged) (Incls. Item 1) (ML-134289)	1
11	00-874792	"D" Wire Whip (20 Qt.) (Packaged) (Incls. Item 1) (ML-134289)	1
12	00-874791	"ED" Dough Arm (20 Qt.) (Packaged) (Incls. Item 1) (ML-134289)	1
13	00-874790	"B" Beater (20 Qt.) (Packaged) (Incls. Item 1) (ML-134289)	1
14	00-873373	Scraper (12 Qt.) (Packaged)	1
15	00-874836	Scraper (20 Qt.) (Packaged) (ML-134289)	1
16	00-438078	Splash Cover (12 Qt.) (Packaged)	1
17	00-438079	Splash Cover (20 Qt.) (Packaged) (ML-134289)	1
18	00-875677	Splash Cover (20 Qt.) (SST) (Packaged) (ML-134289)	1
	00-874885	Ingredient Chute (Packaged) (ML-134289)	1



MIXER TABLE (ML-134299)

MIXER TABLE (ML-134299)

ILLUS.	PART NO.	NAME OF PART	AMT.
PL-57731			
1	00-124075	Post	4
2	00-124067	Support – Cross Top	1
3	WL-004-06	Lockwasher ³ / ₈ Helical	8
4	SC-037-71	Cap Screw ³ / ₈ -16 x ³ / ₄ Hex Hd.	8
5	00-123427	Shelf – Table	1
6	00-124076	Grommet	4
7	00-124073	Leg – Rear (LH)	1
8	00-124074-00002	Rod (Short)	2
9	SC-094-26	Bolt ¹ / ₄ -20 x ¹ / ₂ Sq. Neck Rd. Hd.	22
10	00-205003	Caster – Locking	4
11	00-124070	Leg – Rear (RH)	1
12	WS-005-01	Washer	22
13	NS-013-02	Nut ¹ / ₄ -20 Hex	22
14	00-124074-00001	Rod (Long)	4
15	00-124071	Leg – Front (RH)	1
16	00-124076	Grommet	8
17	00-124072	Leg – Front (LH)	1
18	00-875983	Support – Cross Top	1
19	00-124069	Support – Cross Top	1
20	00-875982	Top	1



PL-57735

WIRING HARNESES