



# CATALOG OF REPLACEMENT PARTS

## HL600 SERIES LEGACY MIXER



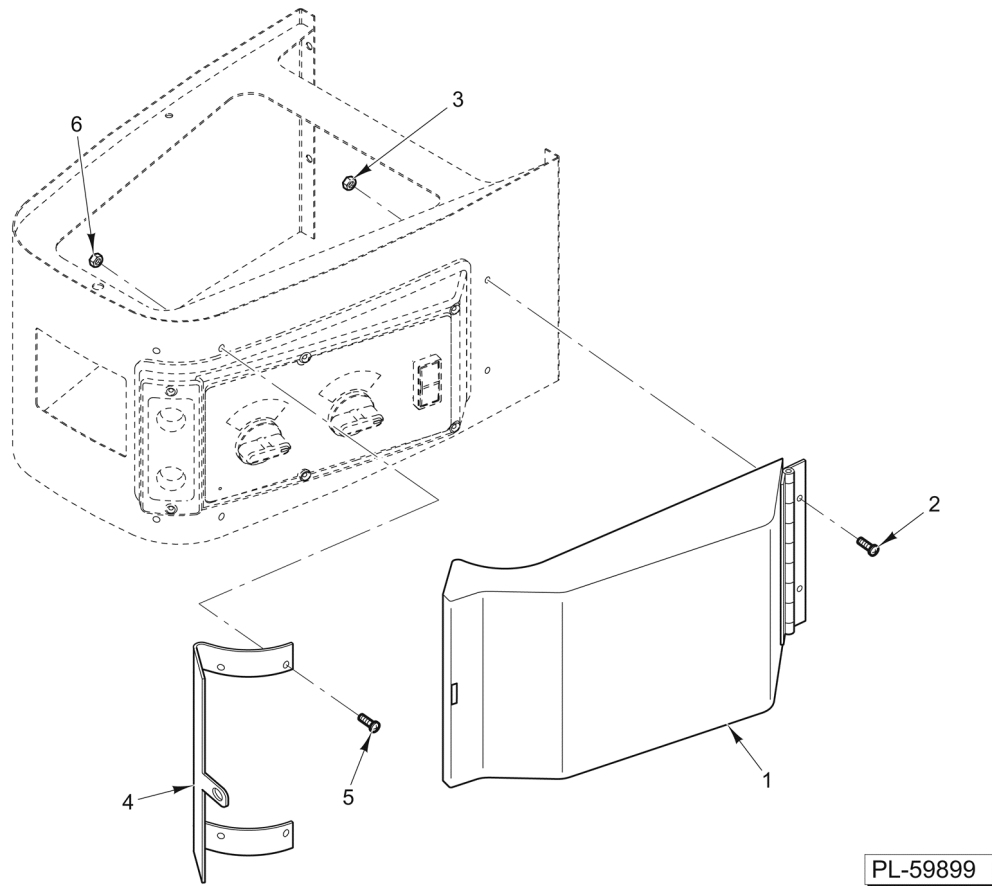
ML-141063  
ML-141068  
ML-141069  
ML-141070  
ML-141104  
ML-141105

HL600  
HL600  
HL600C  
HL662  
HL600 (Canada)  
HL662 (Canada)



**Table of Contents**

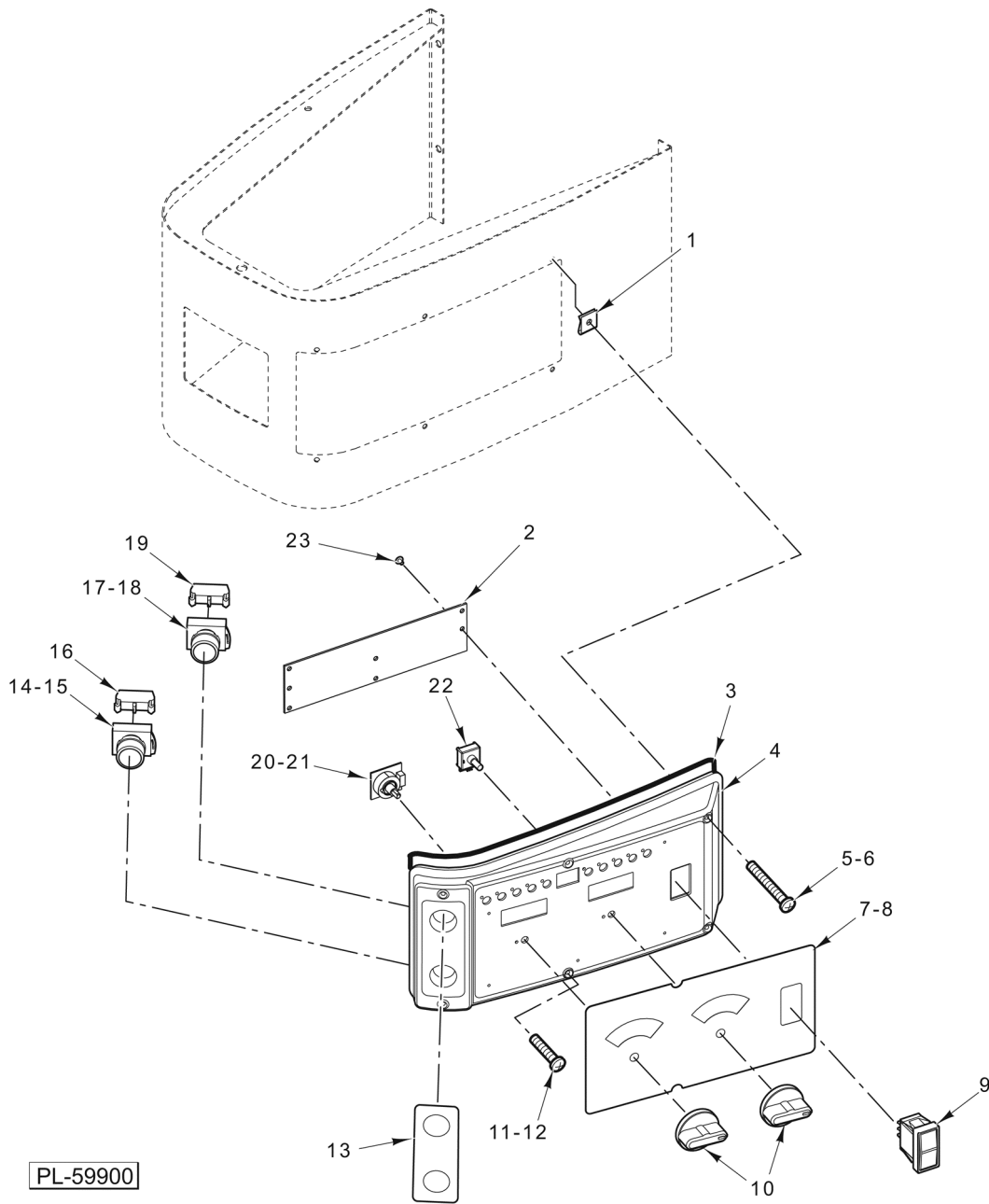
5	CONTROL PANEL COVER (ML-141069)
7	CONTROL PANEL
9	ELECTRICAL COMPONENTS
11	ATTACHMENT HUB
13	BASE AND PEDESTAL
15	BOWL SUPPORT
17	TRANSMISSION CASE AND MOTOR
19	TRANSMISSION
21	PLANETARY
23	BOWL GUARD
25	AGITATORS AND ACCESSORIES



**CONTROL PANEL COVER (ML-141069)**

**CONTROL PANEL COVER (ML-141069)**

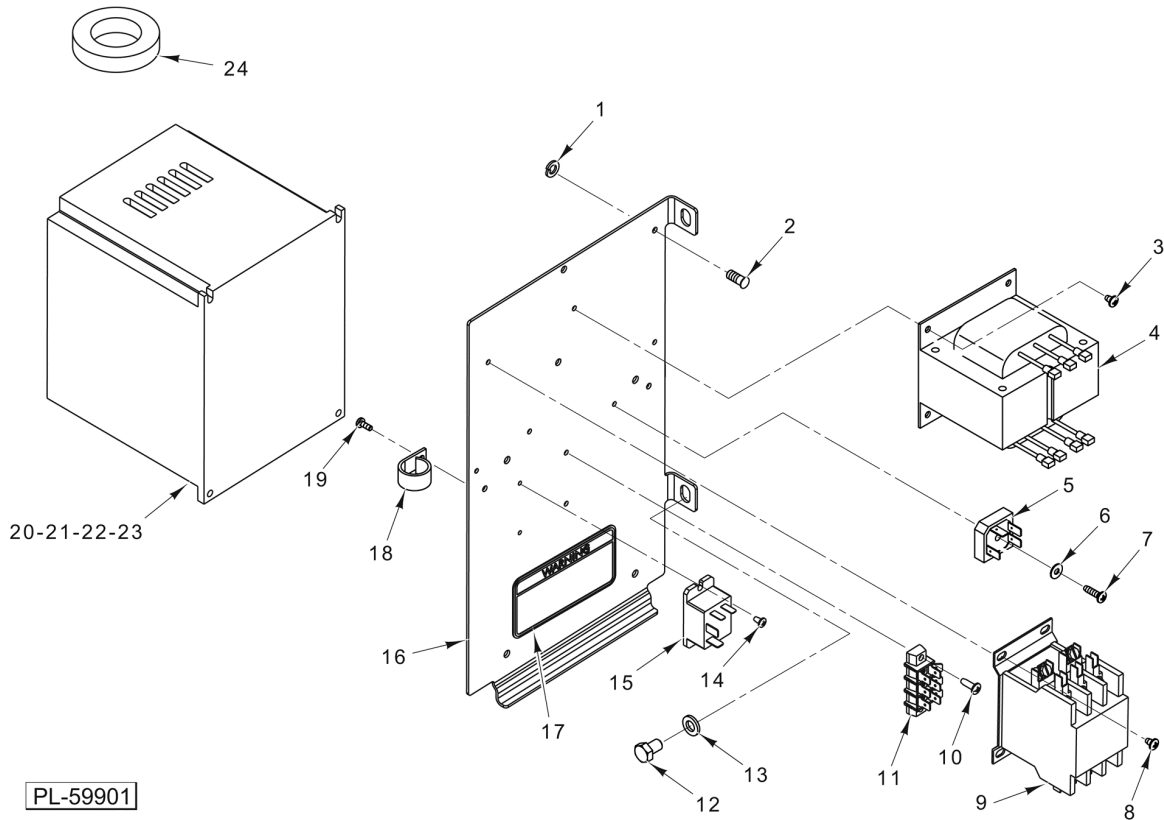
ILLUS.	PART NO.	NAME OF PART	AMT.
PL-59899			
1	00-874526	Cover Assy.....	1
2	SC-128-74	Mach. Screw 1/4-20 x 5/8 Tx. Button Hd. (SST).....	2
3	NS-038-04	Lock Nut 1/4-20.....	2
4	00-874530	Hasp.....	1
5	SC-128-74	Mach. Screw 1/4-20 x 5/8 Tx. Button Hd. (SST).....	4
6	NS-038-04	Lock Nut 1/4-20.....	4



**CONTROL PANEL**

**CONTROL PANEL**

ILLUS.	PART NO.	NAME OF PART	AMT.
PL-59900			
1	00-874338	Fastener - Self-Retaining.....	6
2	00-937277	PCB Assy. (Standard Timer).....	1
3	00-875814	Seal - Control Panel.....	1
4	00-917220	Panel - Control.....	1
5	SC-128-40	Mach. Screw 8-32 x 2-1/4 Phil. Oval Hd. (SST).....	2
6	00-874468	Extension - Screw (ML-141069).....	2
7	00-916231	Overlay (HL600) (Standard Timer) (ML-141063, ML-141068, & ML-141069).....	1
8	00-875569	Overlay (HL662) (ML-141070).....	1
9	00-087711-330-1	Switch - Rocker (Bowl Lift).....	1
10	00-937364	Knob.....	2
11	SC-128-39	Mach. Screw 8-32 x 1-1/2 Phil. Oval Hd. (SST).....	4
12	SC-128-84	Mach. Screw 8-32 x 1-1/2 Tx. Flat Hd. (SST) (ML-141069).....	4
13	00-875451	Label (Mix/Stop).....	1
14	00-478752-00002	Switch - Operator (Stop).....	1
15	00-478751-00001	Cap - Round Push Button (Extended) (Stop).....	1
16	00-087711-322-4	Block - Contact (Stop).....	1
17	00-478752-00001	Switch - Operator (Start).....	1
18	00-478753-00001	Cap - Round Push Button (Flush) (Start).....	1
19	00-087711-322-3	Block - Contact (Start).....	1
20	00-937371	PCB Assy. (Speed Select) (ML-141063, ML-141068, & ML-141069).....	1
21	00-937362	PCB Assy. (Speed Select) (ML-141070).....	1
22	00-937361	Potentiometer (Timer).....	1
23	SD-039-23	Self-Tapping Screw 6-32 x 1/4 Hex Washer Hd., Type RL.....	3
	00-916668-00001	Cable - Timer (ML-141068).....	1
	00-937295	Harness - Switch (Mix & Stop).....	AR
	00-937363	Harness - Time Pot.....	AR
	00-937373	Harness - SPD Speed.....	AR

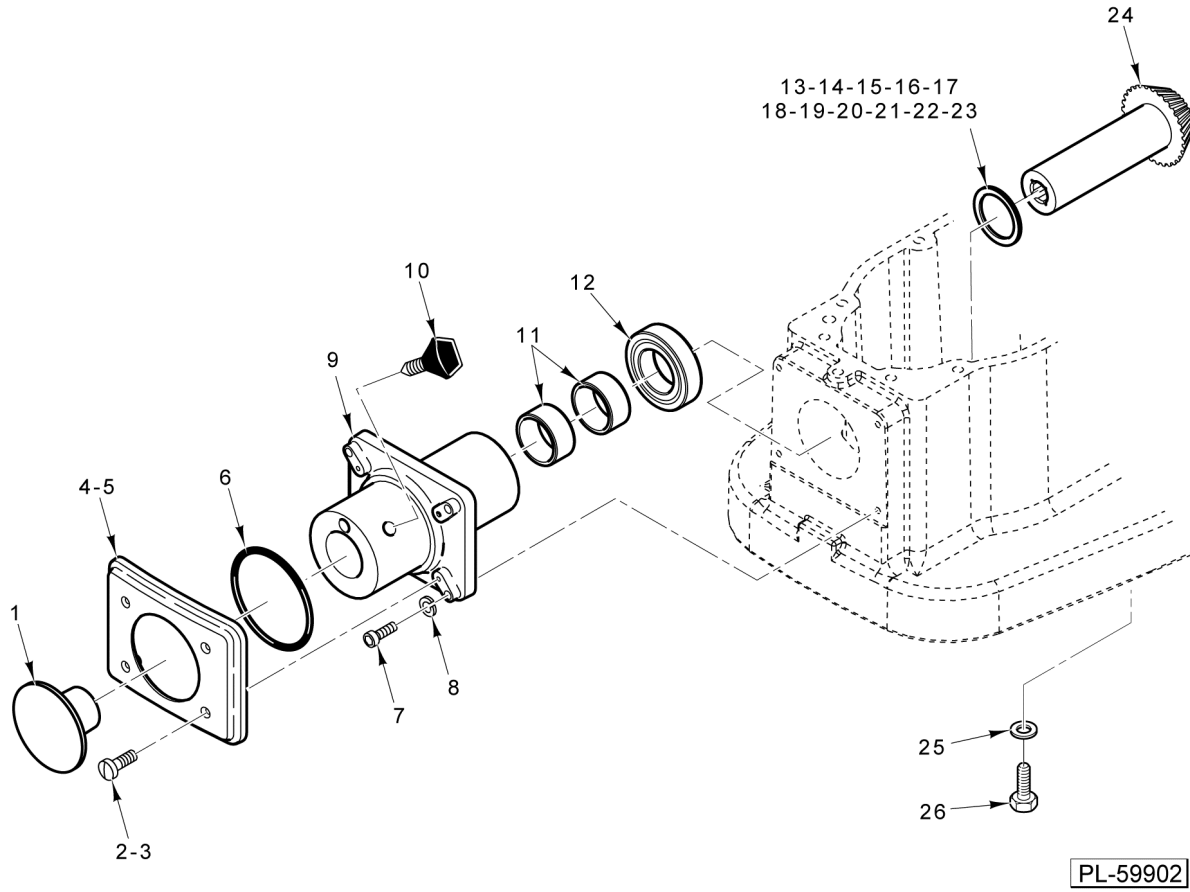


### ELECTRICAL COMPONENTS



**ELECTRICAL COMPONENTS**

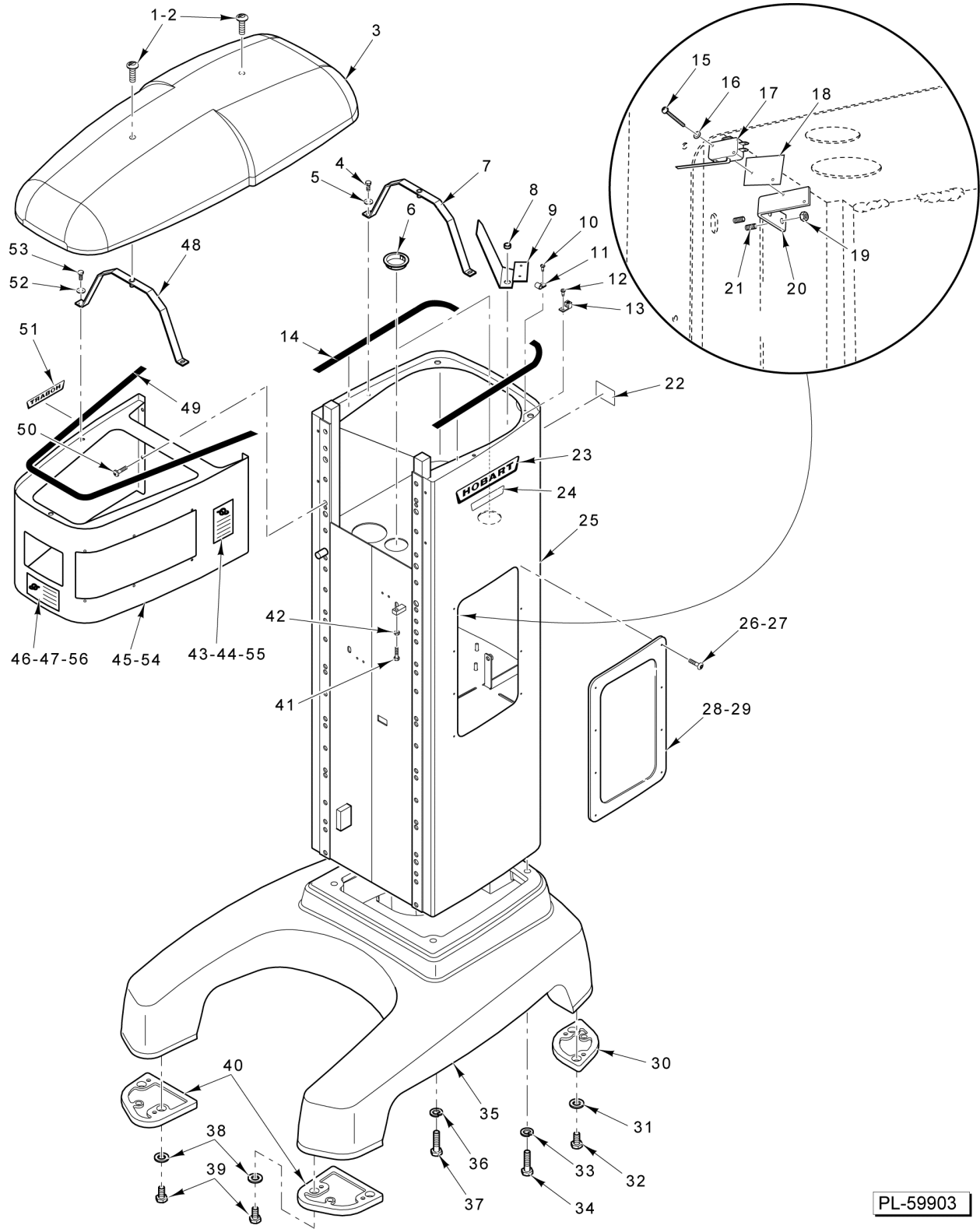
ILLUS.	PART NO.	NAME OF PART	AMT.
PL-59901			
1	WL-007-12	Lockwasher #10 External Shakeproof.....	4
2	00-113631-00043	Stud - Self-Clinching.....	4
3	SD-015-39	Self-Tapping Screw 8-32 x 1/4 Phil. Pan Hd., Type TT.....	2
4	00-294500-050-1	Transformer.....	1
5	00-042159	Rectifier - Bridge (100 V., 35 Amp.).....	1
6	WS-019-41	Washer (SST).....	1
7	SD-015-41	Self-Tapping Screw 8-32 x 1/2 Phil. Pan Hd., Type TT.....	1
8	SD-015-39	Self-Tapping Screw 8-32 x 1/4 Phil. Pan Hd., Type TT.....	2
9	00-087713-101-3	Contact (3P, 30 Amp./Aux.).....	1
10	SD-015-41	Self-Tapping Screw 8-32 x 1/2 Phil. Pan Hd., Type TT.....	2
11	00-916269	Block - Terminal.....	1
12	SC-041-09	Cap Screw 5/16-18 x 1/2 Hex Hd. (SST).....	2
13	WL-003-44	Lockwasher 5/16 Helical.....	2
14	SC-018-37	Mach. Screw 8-32 x 3/4 Phil. Pan Hd.....	2
15	00-916904-002-1	Relay (1-Pole) (30 Amp.).....	1
16	00-937325-00001	Bracket & Label Assy. (Incls. Item 17).....	1
17	00-438131-00174	Label - Warning.....	1
18	00-294677-00002	Clamp - Wire (1/2 I.D.).....	2
19	SD-015-20	Self-Tapping Screw 10-32 x 3/8 Phil. Pan Hd., Type TT.....	2
20	00-937461	Controller (230 V., 5 Hp.) (Fuji) (HL600).....	1
21	00-937462	Controller (460 V., 5 Hp.) (Fuji) (HL600).....	1
22	00-937463	Controller (230 V., 5 Hp.) (Fuji) (HL662).....	1
23	00-937464	Controller (460 V., 5 Hp.) (Fuji) (HL662).....	1
24	00-916185-00001	Ferrite.....	1
	00-937318	Harness - Main (Universal).....	AR
	00-916406-00001	Harness - Main Power.....	AR
	00-937405	Harness - Interlock Switch.....	AR
	00-937433	Harness - Drive.....	AR



**ATTACHMENT HUB**

## ATTACHMENT HUB

ILLUS.	PART NO.	NAME OF PART	AMT.
PL-59902			
1	00-917221	Plug - Attachment.....	1
2	SC-079-04	Mach. Screw 8-32 x 3/4 Phil. Oval Hd. (SST).....	4
3	SC-128-85	Mach. Screw 8-32 x 3/4 Tx. Flat Hd. (SST) (ML-141069).....	4
4	00-917222	Panel - Front.....	1
5	00-875813	Seal - Front Cover.....	1
6	OR-001-09	O-Ring.....	1
7	SD-036-13	Self-Tapping Screw 1/4-20 x 1-1/4 Hex Washer Hd., Type T.....	4
8	WL-003-38	Lockwasher 1/4 Helical.....	4
9	00-874290-00005	Hub - Attachment.....	1
10	00-108197-00001	Thumb Screw 1-1/4.....	1
11	BN-002-06	Bearing - Needle.....	2
12	BB-013-03	Ball Bearing - Nice #618.....	1
13	00-061920-00001	Washer - Thrust (0.076 Thk.).....	AR
14	00-061920-00002	Washer - Thrust (0.079 Thk.).....	AR
15	00-061920-00003	Washer - Thrust (0.082 Thk.).....	AR
16	00-061920-00004	Washer - Thrust (0.085 Thk.).....	AR
17	00-061920-00005	Washer - Thrust (0.088 Thk.).....	AR
18	00-061920-00006	Washer - Thrust (0.091 Thk.).....	AR
19	00-061920-00007	Washer - Thrust (0.094 Thk.).....	AR
20	00-061920-00008	Washer - Thrust (0.097 Thk.).....	AR
21	00-061920-00009	Washer - Thrust (0.100 Thk.).....	AR
22	00-061920-00010	Washer - Thrust (0.103 Thk.).....	AR
23	00-061920-00011	Washer - Thrust (0.106 Thk.).....	AR
24	00-874277	Pinion - Bevel (24T).....	1
25	WS-021-21	Washer.....	1
26	SC-041-42	Cap Screw 1/2-20 x 1 Hex Hd. (SST).....	1

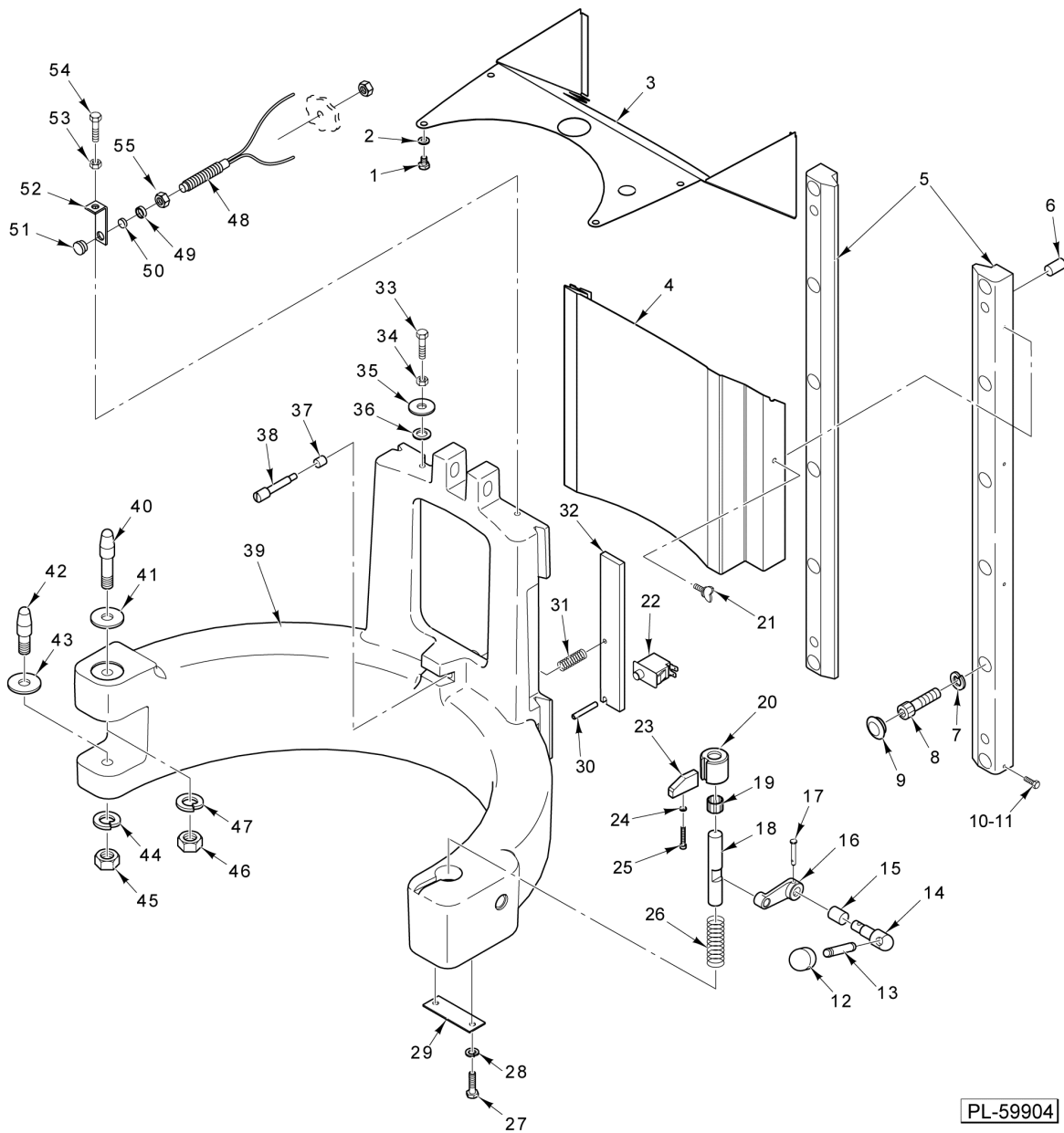


PL-59903

**BASE AND PEDESTAL**

## BASE AND PEDESTAL

ILLUS.	PART NO.	NAME OF PART	AMT.
	<b>PL-59903</b>		
1	SC-120-29	Mach. Screw 1/4-20 x 1 Phil. Oval Hd.....	2
2	SC-128-63	Mach. Screw 1/4-20 x 2 Tx. Flat Hd. (SST) (ML-141069).....	2
3	00-917437	Cover - Top.....	1
4	SC-036-06	Cap Screw 1/4-20 x 1 Hex Hd.....	2
5	WS-003-43	Washer.....	2
6	FE-026-28	Bushing - Electric Snap.....	2
7	00-874222	Rear Strap Assy. - Rear.....	1
8	FE-021-13	Bushing (Nylon) 1/2 I.D.....	1
9	00-916173	Shield - Wire.....	1
10	SD-029-02	Self-Tapping Screw 10-24 x 1/2 Slotted Pan Hd., Type F.....	1
11	00-078752-00003	Clamp - Cable.....	1
12	SD-029-02	Self-Tapping Screw 10-24 x 1/2 Slotted Pan Hd., Type F.....	1
13	00-118544-00001	Lug - Solderless.....	1
14	00-874512-00001	Seal - Top Cover (Rear).....	2
15	SC-060-40	Mach. Screw 4-40 x 5/8 Slotted Rd. Hd.....	4
16	WL-003-03	Lockwasher #4 Helical.....	4
17	00-087711-00248	Switch - Bowl Height.....	2
18	00-439892	Insulator - Switch.....	2
19	NS-009-30	Nut 10-32 Hex.....	4
20	00-874109	Bracket - Bowl Travel Switch.....	2
21	00-113631-00040	Stud - Self-Clinching.....	4
22	00-438131-061-1	Label - Warning (California).....	1
23	00-874401	Logo - Hobart.....	1
24	00-874467	Label - Legacy.....	1
25	00-873894-00005	Pedestal Assy.....	1
26	SD-009-41	Self-Tapping Screw 8-32 x 3/8 Phil. Pan Hd., Type F (SST).....	8
27	SC-128-66	Mach. Screw 8-32 x 3/8 Tx. Button Hd. (SST) (ML-141069).....	8
28	00-874238-00001	Cover - Side (Incls. Gasket) (Incls. Item 29).....	1
29	00-875815	Seal - Side Panel.....	2
30	00-874585	Foot - Rear.....	2
31	WS-006-36	Washer.....	4
32	SC-110-03	Cap Screw 3/8-16 x 3/4 Hex Socket Hd.....	4
33	WL-004-11	Lockwasher 1/2 Helical.....	2
34	SC-062-83	Cap Screw 1/2-13 x 1-1/2 Hex Hd.....	2
35	00-873950-002-1	Base.....	1
36	WL-004-11	Lockwasher 1/2 Helical.....	6
37	SC-128-47	Cap Screw 1/2-13 x 3 Hex Hd.....	6
38	WS-006-36	Washer.....	4
39	SC-110-03	Cap Screw 3/8-16 x 3/4 Hex Socket Hd.....	4
40	00-874152	Foot - Front.....	2
41	SC-041-13	Cap Screw 5/16-18 x 1 Hex Hd. (SST).....	1
42	NS-013-14	Nut 5/16-18 Hex.....	1
43	00-438131-00001	Plate - Caution (All Except ML-141104 & ML-141105).....	1
44	RS-003-04	Rivet.....	1
45	00-916196	Wrapper Assy. (Transmission) (All Except ML-141104 & ML-141105).....	1
46	00-438131-00002	Plate - Warning (All Except ML-141104 & ML-141105).....	1
47	RS-003-04	Rivet.....	1
48	00-874223	Strap Assy. - Front.....	1
49	00-874512-00002	Seal - Top Cover.....	1
50	SD-039-06	Self-Tapping Screw 1/4-20 x 3/4 Hex Washer Hd., Type F.....	4
51	00-118365	Logo.....	1
52	WS-003-43	Washer.....	2
53	SC-036-06	Cap Screw 1/4-20 x 1 Hex Hd.....	2
54	00-937581	Wrapper Assy. (Transmission) (ML-101104 & ML-141105 Only).....	1
55	00-916957-00014	Label - Warning Moving Parts (ML-101104 & ML-141105 Only).....	1
56	00-916957-00015	Label - Warning Bilingual (ML-101104 & ML-141105 Only).....	1
	00-874604	Kit - Rubber Foot.....	1

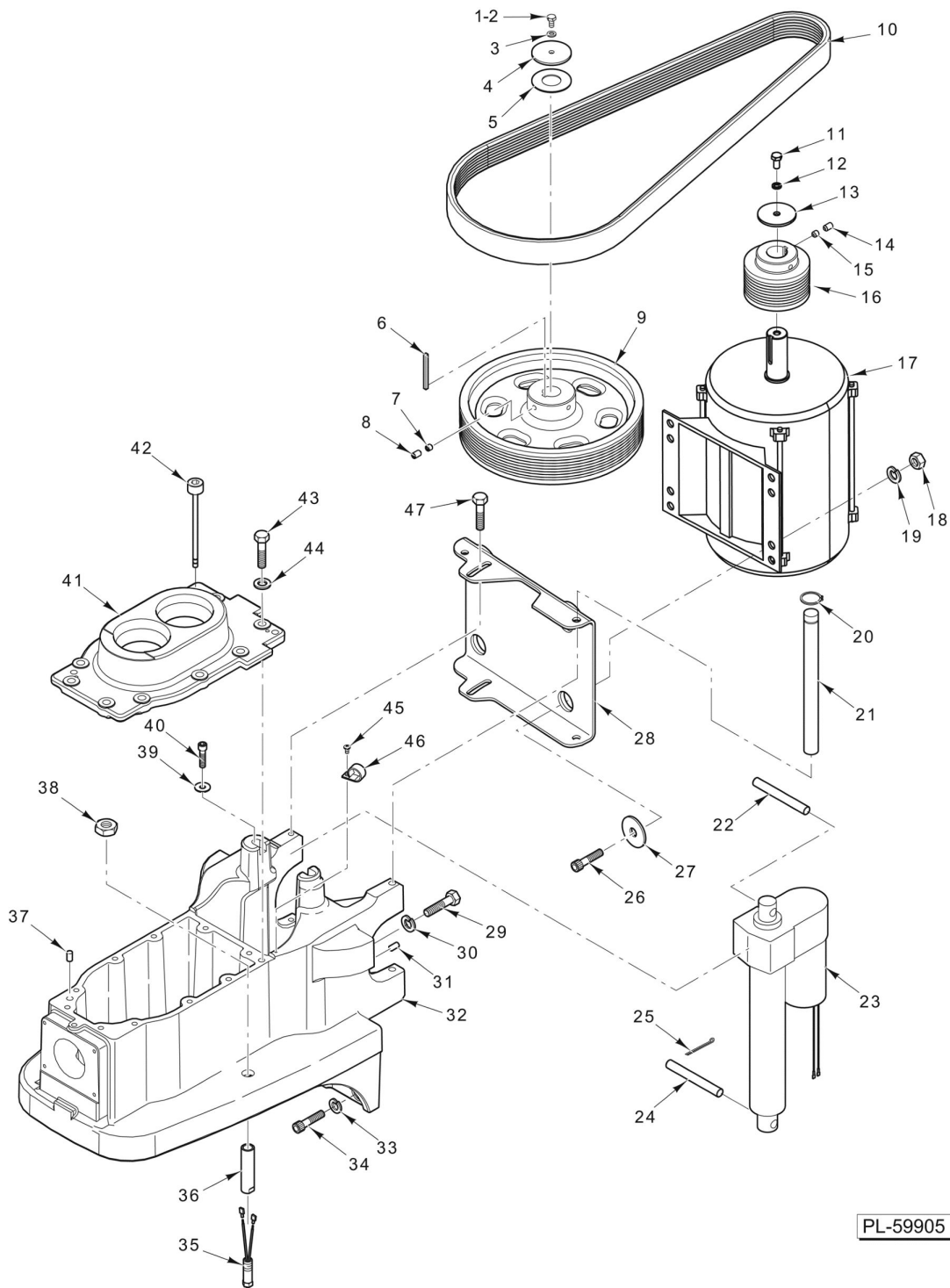


PL-59904

### BOWL SUPPORT

**BOWL SUPPORT**

ILLUS.	PART NO.	NAME OF PART	AMT.
	<b>PL-59904</b>		
1	SC-062-20	Cap Screw 1/4-20 x 3/8 Hex Hd.....	4
2	WL-003-38	Lockwasher 1/4 Helical.....	4
3	00-916378	Cover - Upper Apron.....	1
4	00-916379	Apron - Lower.....	1
5	00-873885	Slideway.....	2
6	00-011800-00264	Dowel.....	2
7	WL-004-02	Lockwasher 3/8 Helical.....	12
8	SC-092-62	Cap Screw 3/8-16 x 1-1/2 Socket Fil. Hd.....	12
9	PB-004-90	Cap.....	12
10	SC-128-48	Mach. Screw 10-24 x 1/4 Hex Hd.....	6
11	SC-128-69	Mach. Screw 10-24 x 3/8 Tx. Button Hd. (ML-141069).....	8
12	00-875356	Handle - Lift Lever.....	1
13	00-874197	Shaft - Bowl Pin Handle.....	1
14	00-874220	Handle - Bowl Pin.....	1
15	00-874138	Bushing - Bowl Pin Cam.....	1
16	00-874218	Clevis - Bowl Lock.....	1
17	00-874388	Detent - Clevis Pin.....	1
18	00-874219	Pin - Bowl (RH).....	1
19	00-874499	Bushing - Bowl Lock Pin.....	2
20	00-874506	Button - Rest Bowl.....	1
21	00-070641-00009	Thumb Screw (All Except ML-141069).....	2
22	00-087711-00338	Switch - Panel Front.....	1
23	00-874113	Ramp - Wear.....	1
24	WL-003-12	Lockwasher #8 Helical.....	1
25	SC-040-92	Cap Screw 8-32 x 1 Hex Socket Hd.....	1
26	00-874198	Spring - Bowl Pin.....	1
27	SC-036-14	Cap Screw 1/4-20 x 1/2 Hex Hd.....	2
28	WL-003-38	Lockwasher 1/4 Helical.....	2
29	00-874199	Strap - Spring Retaining.....	1
30	RP-005-12	Roll Pin 0.187 x 1.250 Lg.....	1
31	00-874496	Spring - Pushplate.....	1
32	00-874464	Plate - Push.....	1
33	SC-041-13	Cap Screw 5/16-18 x 1 Hex Hd. (SST).....	1
34	NS-013-14	Nut 5/16-18 Hex.....	1
35	WS-005-33	Washer (SST).....	1
36	WS-006-36	Washer.....	3
37	00-874492	Bushing - Bowl-In.....	1
38	00-874458	Plunger - Bowl-In.....	1
39	00-873844-00003	Yoke.....	1
40	00-873845	Pin - Bowl.....	1
41	00-874084	Bushing - Bowl Support.....	1
42	00-873846	Pin - Bowl.....	1
43	00-874084	Bushing - Bowl Support.....	1
44	WL-004-12	Lockwasher 1/2 Helical.....	1
45	NS-013-30	Nut 1/2-13 Hex.....	1
46	NS-013-30	Nut 1/2-13 Hex.....	1
47	WL-004-12	Lockwasher 1/2 Helical.....	1
48	00-087711-00352	Switch - Reed (Also order Item 55).....	1
49	00-917357	Holder - Magnet (Upper).....	1
50	00-874875	Magnet - Disc.....	1
51	00-917358	Holder - Magnet (Lower).....	1
52	00-916079	Bracket - Magnet.....	1
53	NS-013-14	Nut 5/16-18 Hex.....	1
54	SC-041-13	Cap Screw 5/16-18 x 1 Hex Hd. (SST).....	1
55	NS-049-36	Nut, M8 X 1.25 SST Thin.....	AR
	00-874139-00002	Handle Assy. - Bowl Lock (Welded) (ML-141069).....	1



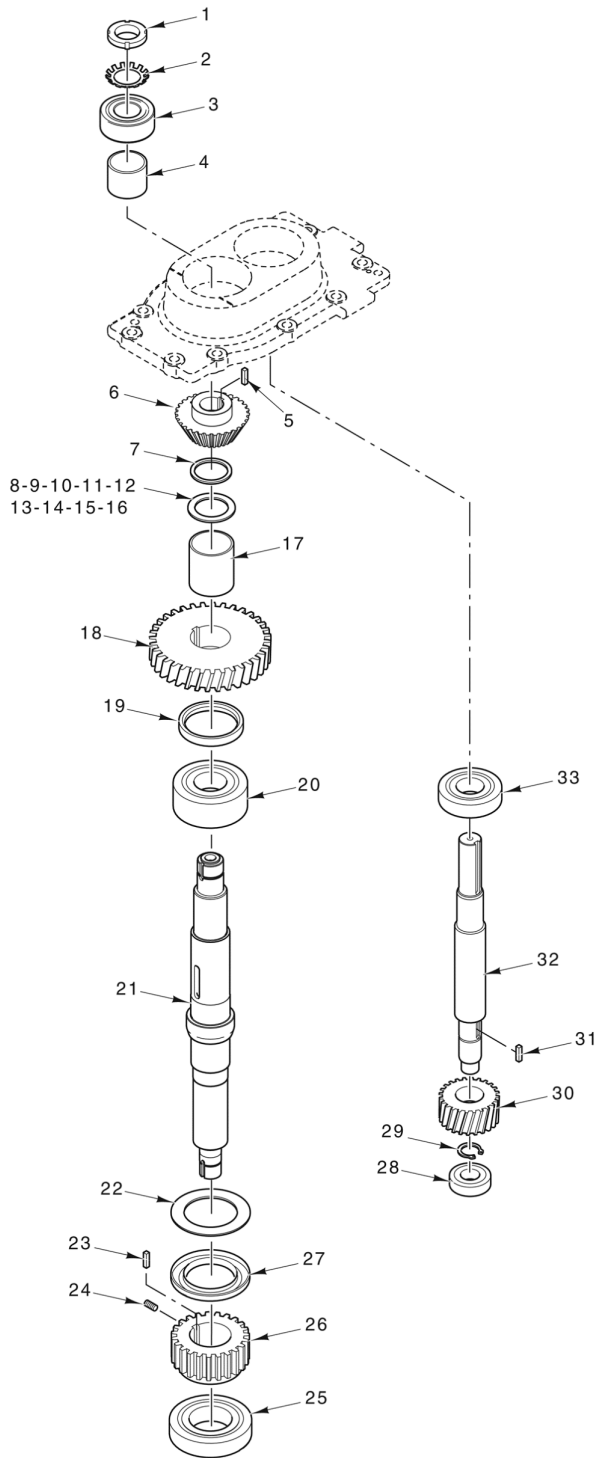
PL-59905

**TRANSMISSION CASE AND MOTOR**



## TRANSMISSION CASE AND MOTOR

ILLUS.	PART NO.	NAME OF PART	AMT.
1	SC-036-14	Cap Screw 1/4-20 x 1/2 Hex Hd.....	1
2	SC-121-72	Mach. Screw 1/4-20 x 1/2 Tx. Button Hd. (SST) (ML-141069).....	1
3	WL-003-38	Lockwasher 1/4 Helical.....	1
4	00-874345-00003	Washer - Special.....	1
5	00-874345-00004	Washer - Special.....	1
6	00-012430-00177	Key 1/4 x 1/4 x 2-1/2.....	1
7	SC-047-31	Set Screw 5/16-18 x 5/16 Hex Hdls., Cup Pt.....	2
8	SC-047-34	Set Screw 5/16-18 x 1/2 Hex Hdls., Cup Pt.....	2
9	00-874000	Sheave - Driven.....	1
10	00-873921-00002	Belt.....	1
11	SC-118-69	Cap Screw M8 x 1.25 x 16mm Socket Fil. Hd.....	1
12	WL-020-13	Lockwasher M8 Helical.....	1
13	00-874345-00006	Washer (Special).....	1
14	SC-047-34	Set Screw 5/16-18 x 1/2 Hex Hdls., Cup Pt.....	2
15	SC-047-31	Set Screw 5/16-18 x 5/16 Hex Hdls., Cup Pt.....	2
16	00-873999	Sheave - Drive.....	1
	00-012430-00163	Key 1/4 x 1/4 x 1 3/4.....	1
17	00-917676	Motor - 3 Hp.....	1
18	NS-013-22	Nut 3/8-16 Hex.....	4
19	WL-004-06	Lockwasher 3/8 Helical.....	4
20	RR-004-19	Retaining Ring.....	2
21	00-874241	Pin - Pivot Motor Bracket.....	1
22	00-874315	Pin - Actuator (Upper).....	1
23	00-874057	Actuator (Bowl Lift).....	1
24	00-874117	Pin - Clevis.....	1
25	PC-003-50	Cotter Pin 7/64 x 1 Lg.....	1
26	SC-040-23	Cap Screw 3/8-16 x 1-1/4 Socket Fil. Hd.....	4
27	WS-006-36	Washer.....	4
28	00-916331	Plate - Mounting.....	1
29	SC-062-67	Cap Screw 1/2-13 x 2-1/4 Hex Hd.....	2
30	WL-004-11	Lockwasher 1/2 Helical.....	2
31	00-011800-00221	Dowel.....	2
32	00-873996-00003	Case - Transmission.....	1
33	WL-004-11	Lockwasher 1/2 Helical.....	2
34	SC-040-36	Cap Screw 1/2-13 x 1-3/4 Socket Fil. Hd.....	2
35	00-874958-00004	Switch - Reed & Extension.....	1
36	00-874128	Extension - Bowl Guard Switch (Bowl Guard).....	1
37	00-011800-00224	Dowel.....	2
38	NS-017-46	Jam Nut 3/4-10 Hex.....	1
39	WS-006-36	Washer.....	2
40	SC-040-16	Cap Screw 5/16-18 x 1 Socket Fil. Hd.....	2
41	00-873916-00002	Cover - Transmission.....	1
42	00-874131	Dipstick.....	1
43	SC-062-48	Cap Screw 3/8-16 x 1-1/8 Hex Hd.....	10
44	WL-004-04	Lockwasher 3/8 Helical.....	10
45	SC-018-62	Mach. Screw 10-24 x 3/8 Phil. Pan Hd.....	1
46	00-294677-00003	Clamp - Wire (3/4 I.D.).....	1
47	SC-123-50	Cap Screw 3/8-16 x 1 Hex Washer Hd.....	2

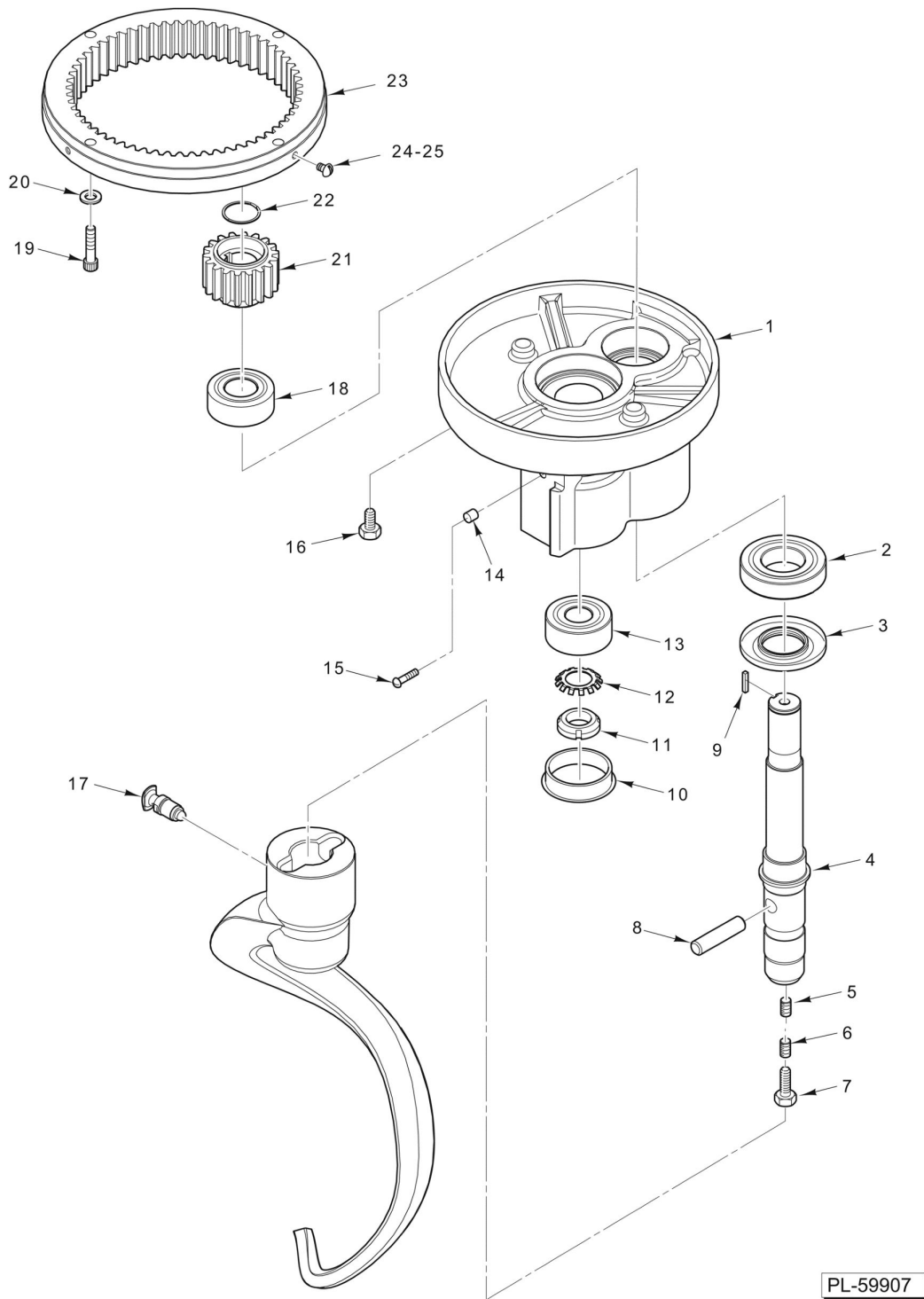


PL-59906

### TRANSMISSION

## TRANSMISSION

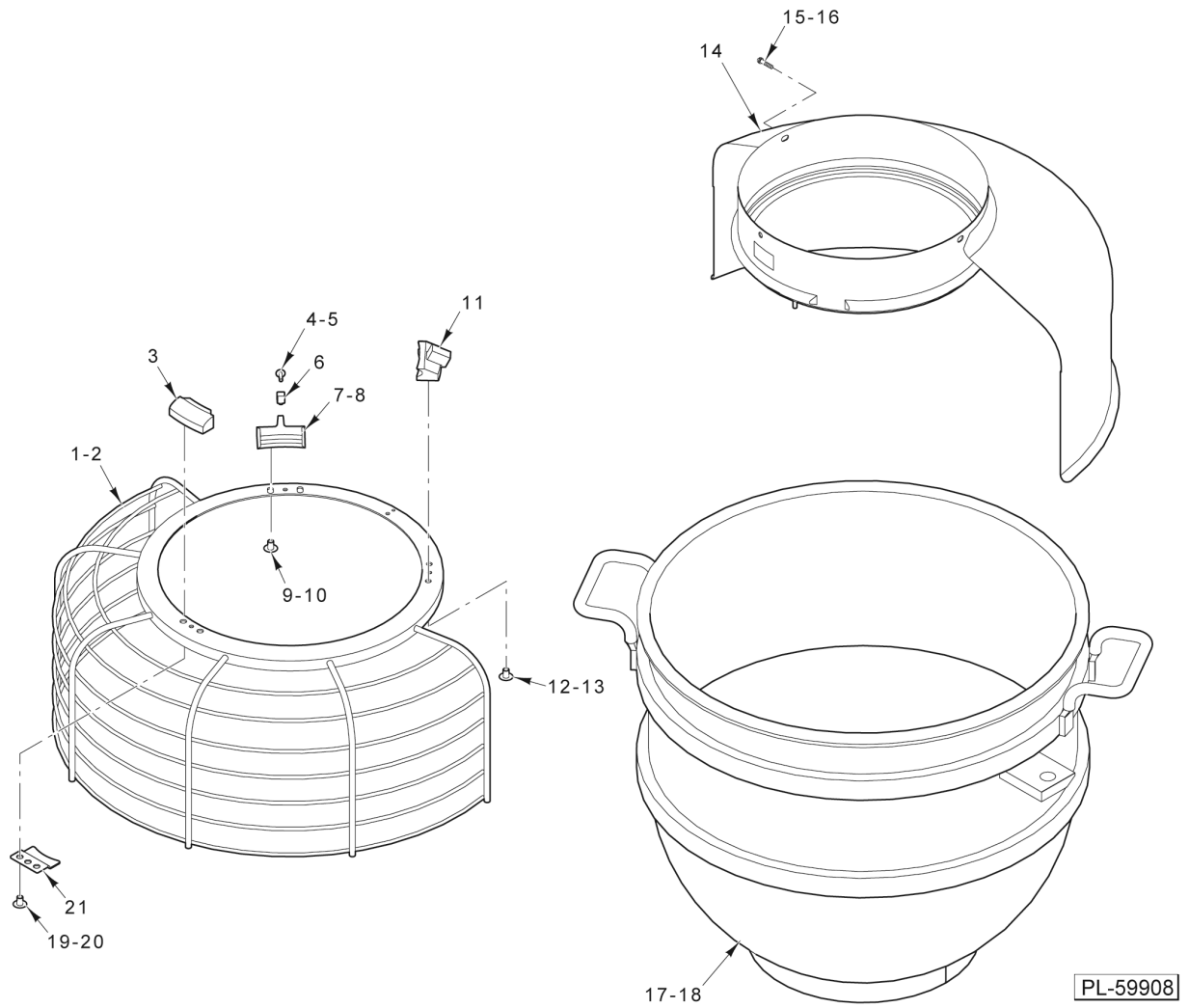
ILLUS. PL-59906	PART NO.	NAME OF PART	AMT.
1	NS-034-07	Lock Nut N.D. #N-06.....	1
2	WL-017-07	Lockwasher - Bearing Lock Nut.....	1
3	BB-021-35	Ball Bearing (SKF-5206 A-2RS/C3/HT51).....	1
4	00-874293	Spacer (1.505 I.D.).....	1
5	00-875419-00071	Key 5/16 x 5/16 x 1-5/8.....	1
6	00-874282	Gear - Bevel (30T).....	1
7	00-874384	Spacer - Gear.....	1
8	00-874283-00001	Shim - Gear (0.066 Thk.).....	AR
9	00-874283-00002	Shim - Gear (0.072 Thk.).....	AR
10	00-874283-00004	Shim - Gear (0.084 Thk.).....	AR
11	00-874283-00005	Shim - Gear (0.090 Thk.).....	AR
12	00-874283-00006	Shim - Gear (0.096 Thk.).....	AR
13	00-874283-00007	Shim - Gear (0.102 Thk.).....	AR
14	00-874283-00008	Shim - Gear (0.108 Thk.).....	AR
15	00-874283-00009	Shim - Gear (0.116 Thk.).....	AR
16	00-874294	Spacer (1.755 I.D.).....	1
17	00-875419-00075	Key 5/16 x 5/16 x 1-1/16.....	1
18	00-873914	Gear - Drive.....	1
19	00-873922	Spacer - Planetary Shaft.....	1
20	BB-009-30	Ball Bearing - SKF #5209.....	1
21	00-875915	Shaft - Planetary.....	1
22	00-875909	Spacer.....	1
23	00-875419-00075	Key 5/16 x 5/16 x 1-1/16.....	1
24	SC-047-12	Set Screw 1/4-20 x 3/8 Socket Hdls., Knife Cup Pt.....	1
25	BB-021-58	Ball Bearing.....	1
26	00-873912	Gear - Sun.....	1
27	00-873939	Seal.....	1
28	BB-007-14	Ball Bearing - MRC #204S.....	1
29	RR-009-07	Retaining Ring.....	1
30	00-873915	Gear - Pinion.....	1
31	00-012430-00048	Key 3/16 Sq. x 3/4 Lg.....	1
32	00-873913	Shaft - Input.....	1
33	BB-006-36	Ball Bearing.....	1
	00-937065	Seal - Oil.....	1



**PLANETARY**

**PLANETARY**

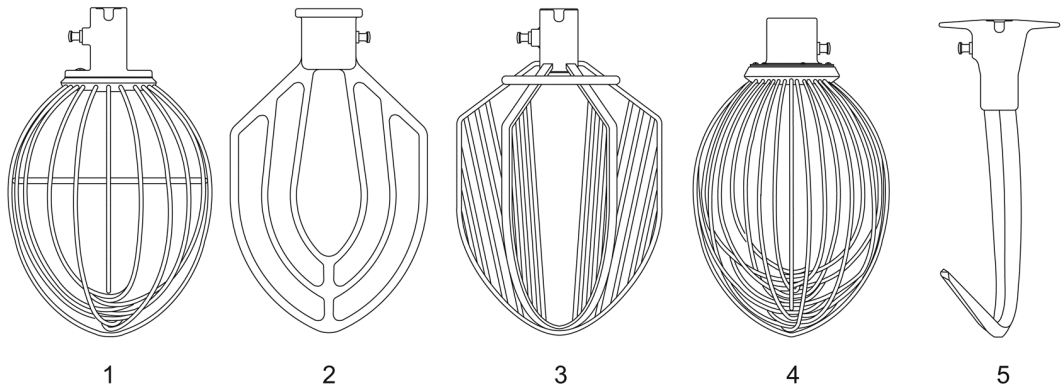
ILLUS.	PART NO.	NAME OF PART	AMT.
PL-59907			
1	00-873995-00002	Planetary.....	1
2	BB-007-01	Ball Bearing - SKF #6208Z.....	1
3	00-292288	Seal.....	1
4	00-873923	Shaft - Agitator.....	1
5	00-007744	Set Screw Hdls., Cone Pt.....	1
6	SC-047-41	Set Screw 3/8-16 x 3/8 Hex Hdls., Cup Pt.....	1
7	00-064723	Plug - Agitator Shaft.....	1
8	00-873953	Pin - Agitator Shaft.....	1
9	00-012430-00154	Key 1/4 x 1/4 x 1-3/8.....	1
10	00-874291	Plug - Planetary (Plastic).....	1
11	NS-034-06	Lock Nut Brg N.D. N-05.....	1
12	WL-012-06	Lockwasher N.D. #W-05.....	1
13	BB-021-52	Ball Bearing.....	1
14	00-874181	Spacer - Scraper Arm.....	1
15	SC-021-54	Mach. Screw 5/16-18 x 7/8 Slotted Rd. Hd. (SST).....	1
16	SC-041-26	Cap Screw 3/8-16 x 1/2 Hex Hd. (SST).....	2
17	00-874145	Plunger Assy.....	1
18	BB-021-35	Ball Bearing.....	1
19	SC-040-23	Cap Screw 3/8-16 x 1-1/4 Socket Fil. Hd.....	4
20	WL-019-92	Lockwasher 3/8 Helical.....	4
21	00-024270	Pinion - Internal (18T).....	1
22	RR-005-08	Retaining Ring.....	1
23	00-437692	Gear - Internal.....	1
24	SC-021-37	Mach. Screw 1/4-20 x 3/8 Slotted Rd. Hd. (SST).....	3
25	SC-128-80	Mach. Screw 1/4-20 x 3/8 Tx. Button Hd. (SST) (ML-141069).....	3



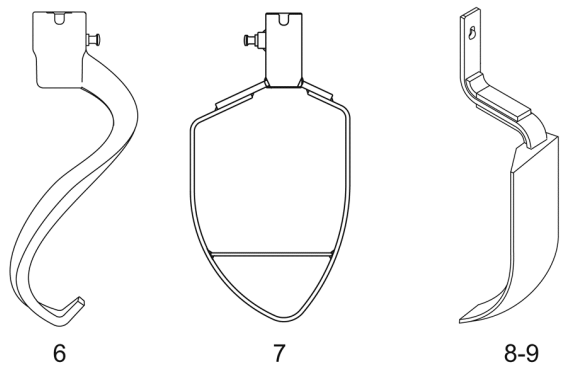
### BOWL GUARD

**BOWL GUARD**

ILLUS.	PART NO.	NAME OF PART	AMT.
PL-59908			
1	00-874124	Wire Cage.....	1
2	00-874124-00002	Wire Cage (ML-141069).....	1
3	00-874126	Shoe - Front.....	1
4	SC-123-07	Mach. Screw 8-32 x 1/2 Slotted Truss Hd.....	1
5	SC-128-66	Mach. Screw 8-32 x 3/8 Tx. Button Hd. (SST) (ML-141069).....	1
6	00-437720	Key - Shoe.....	1
7	00-437433-00002	Shoe - Fixed (All except ML-141069).....	1
8	00-437433-00003	Shoe - Adjustable (ML-141069).....	1
9	SC-122-45	Mach. Screw 1/4-20 x 3/8 Slotted Truss Hd.....	2
10	SC-128-65	Mach. Screw 1/4-20 x 1/2 Tx. Button Hd. (SST) (ML-141069).....	2
11	00-874127	Shoe - Fixed.....	1
12	SC-122-45	Mach. Screw 1/4-20 x 3/8 Slotted Truss Hd.....	2
13	SC-128-80	Mach. Screw 1/4-20 x 3/8 Tx. Button Hd. (SST) (ML-141069).....	2
14	00-874123	Guard - Splash & Drip.....	1
15	SC-021-37	Mach. Screw 1/4-20 x 3/8 Slotted Rd. Hd. (SST).....	3
16	SC-128-80	Mach. Screw 1/4-20 x 3/8 Tx. Button Hd. (SST) (ML-141069).....	3
17	00-875603	Bowl Assy. (60 Quart) (Packaged).....	1
18	00-875604	Bowl Assy. (40 Quart) (Packaged) (Not Shown).....	1
19	SC-122-45	Mach. Screw 1/4-20 x 3/8 Slotted Truss Hd.....	2
20	SC-128-80	Mach. Screw 1/4-20 x 3/8 Tx. Button Hd. (SST) (ML-141069).....	2
21	00-874168	Stop - Cage.....	1
	00-512987	Adhesive - Loctite 222 (ML-141069).....	AR
	00-874125	Wire Cage Assy. (Incls. Items 1, 3, 4, 6, 7, 9, 11, 12, 19, & 21).....	1
	00-874125-00002	Wire Cage Assy. (Incls. Items 2, 3, 5, 6, 8, 10, 11, 12, 20, 21, & Adhesive) (ML-141069).....	AR
	00-438824	Ingredient Chute (Packaged).....	1

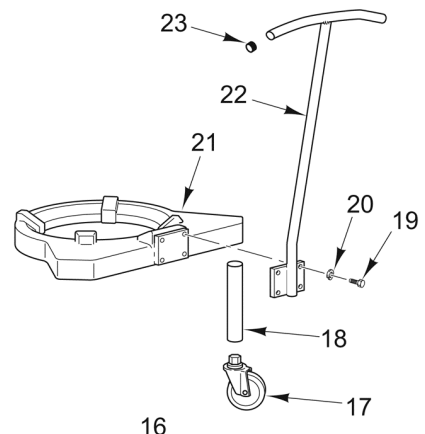


1 2 3 4 5



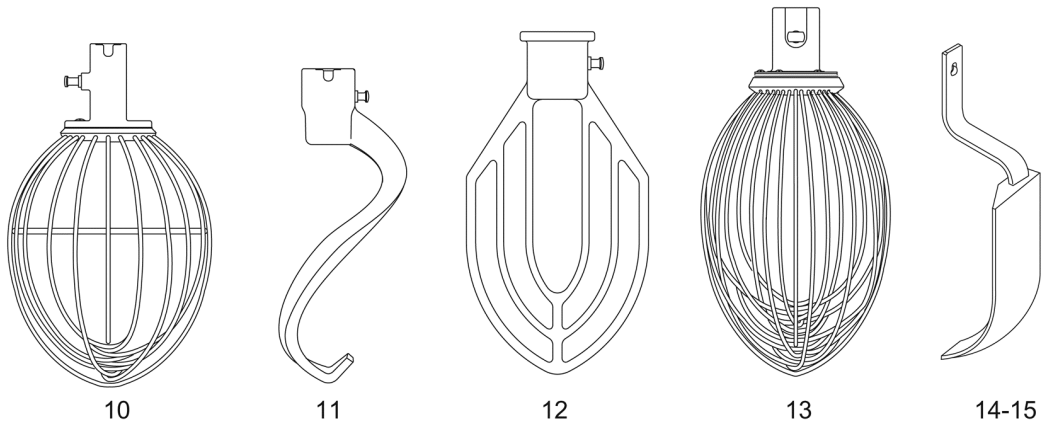
6 7 8-9

**60-QUART AGITATORS**



16

**BOWL TRUCK**



10 11 12 13 14-15

**40-QUART AGITATORS**

PL-59909

**AGITATORS AND ACCESSORIES**



**AGITATORS AND ACCESSORIES**

ILLUS. PL-59909	PART NO.	NAME OF PART	AMT.
1	00-874271	"I" Wire Whip (60 Quart) (Packaged).....	1
2	00-874172	"B" Flat Beater (60 Quart) (Packaged).....	1
3	00-874278	"C" Six Wing Whip (60 Quart) (Packaged).....	1
4	00-874190	"D" Wire Whip (60 Quart) (Packaged).....	1
5	00-874284	"E" Dough Arm (60 Quart) (Packaged).....	1
6	00-874285	"ED" Dough Arm (60 Quart) (Packaged).....	1
7	00-874286	"P" Pastry Knife (60 Quart) (Packaged).....	1
8	00-874267	Bowl Scraper (60 Quart) (Packaged) (Incls. Item 9).....	1
9	00-435637-00001	Scraper - Bowl (60 Qt.).....	1
10	00-874250	"I" Wire Whip (40 Quart) (Packaged).....	1
11	00-874292	"ED" Dough Arm (40 Quart) (Packaged).....	1
12	00-874248	"B" Flat Beater (40 Quart) (Packaged).....	1
13	00-874249	"D" Wire Whip (40 Quart) (Packaged).....	1
14	00-874268	Bowl Scraper (40 Quart) (Packaged) (Incls. Item 15).....	1
15	00-435637-00004	Scraper - Bowl (40 Qt.).....	1
16	00-874203	Bowl Truck (Packaged) (Incls. Items 17 thru 23).....	1
17	00-874288	Caster (4 In.).....	3
18	00-874287	Leg.....	3
19	SC-041-02	Cap Screw 1/4-20 x 1 Hex Hd. (SST).....	4
20	WL-006-17	Lockwasher 1/4 Helical (SST).....	4
21	00-874110-00002	Truck - Bowl.....	1
22	00-874360	Handle (With Plate).....	1
23	00-873322	Grip - Bowl Truck.....	2
	00-438104-00004	Bowl Extension Assy. (60 Quart) (Packaged).....	1
	00-438082	Splash Cover (60 Quart) (Packaged).....	1
	00-438081	Splash Cover (40 Quart) (Packaged).....	1





