

---

No. E2GA-3025

ISSUED: Jun. 04, 2007

REVISED: Apr. 22, 2011

SERVICE INFORMATION:

---



**HOSHIZAKI  
FLAKE ICE MAKER**

**MODEL FM-170AFE**

PARTS LIST

G-1 Jun. 2007

## AUXILIARY CODE

U - 1

The auxiliary code is the first two characters in the serial number. The first character indicates the production year. Years progress or regress in alphabetical order. The series of letters and skipped letters depend on UL listing, production, and model. See the auxiliary code(s) and corresponding year(s) on the front cover.

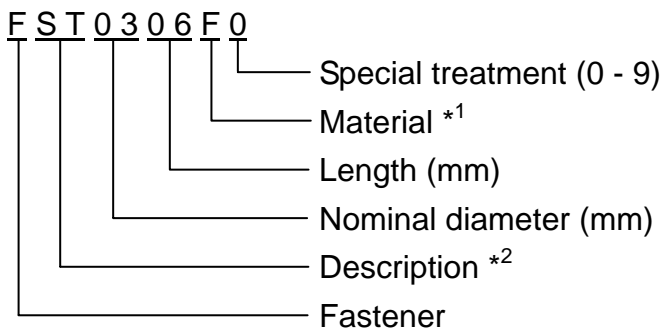
The second character indicates significant part changes within the same year. Base is "1" and this number advances for each change. If there is no significant part change at the turn of the year, this number starts from "0."

## MARKS LOCATED UNDER THE AUXILIARY CODE

- = Part deleted.
- x = Part deleted and replaced by "o" part.
- o = New part in place of "x" part.

## FASTENER PART NUMBER

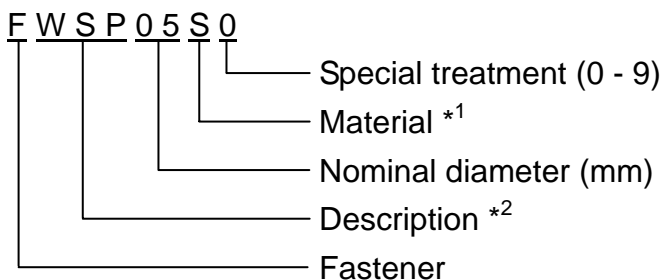
### SCREWS



\*<sup>1</sup> Material

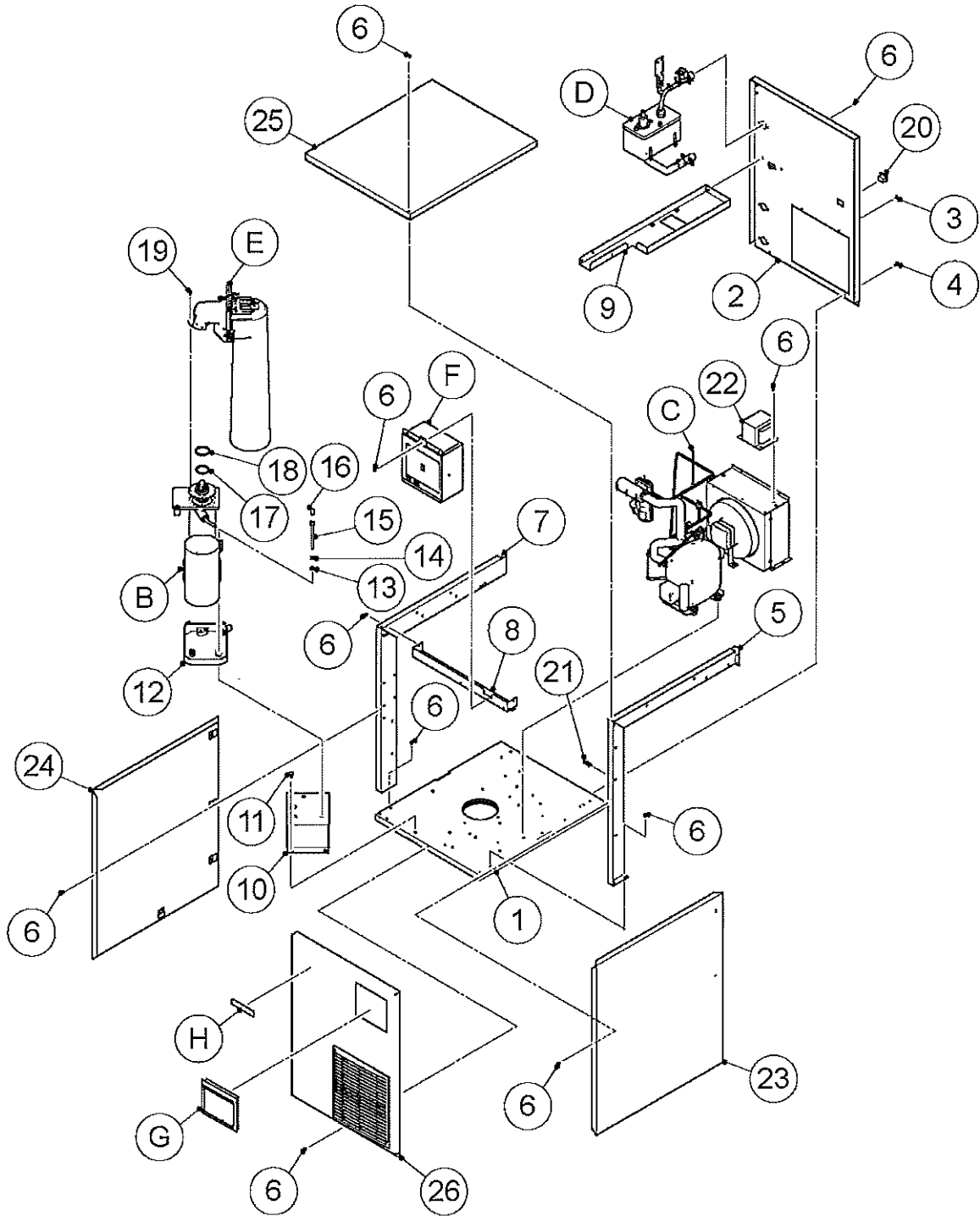
- F: Steel
- S: Austenitic stainless steel
- M: Martensitic stainless steel
- B: Copper alloy
- P: Polycarbonate
- N: Polyamide
- V: PVC
- A: ABS
- X: Polyacetal
- L: Aluminum

### NUTS & WASHERS



\*<sup>2</sup> Description

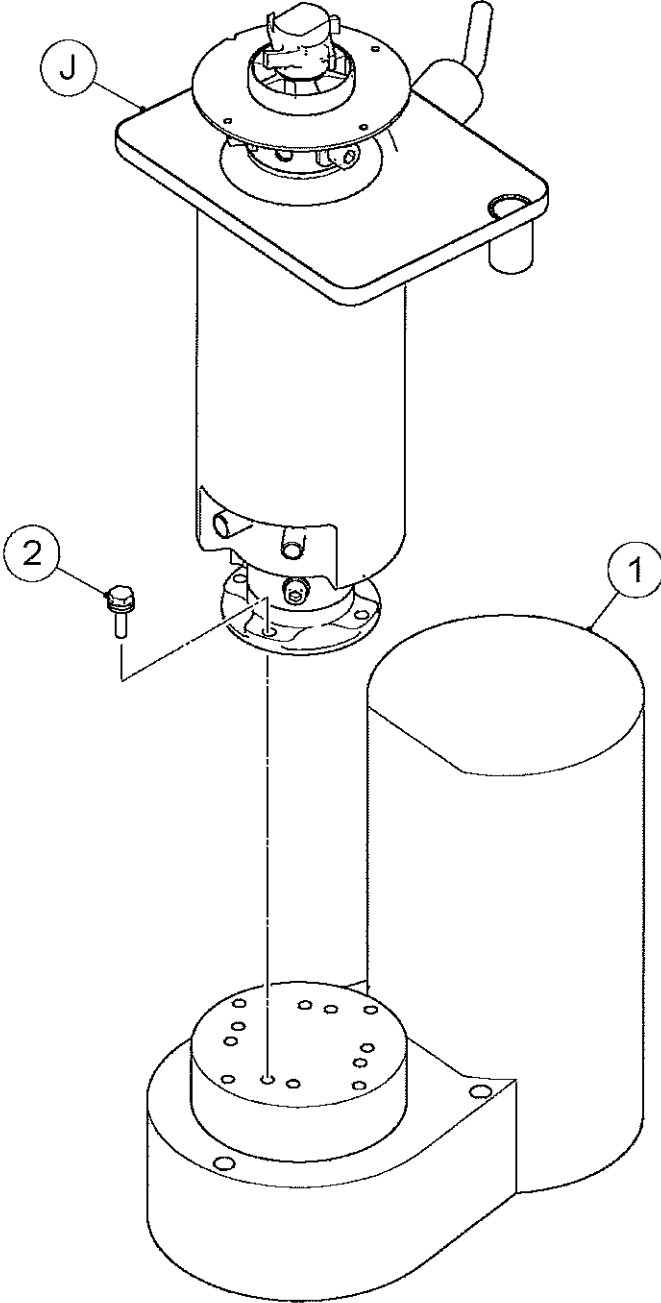
- First letter
- S: Machine screw
- T: Tapping screw
- M: Wood screw
- B: Bolt
- W: Washer
- N: Nut



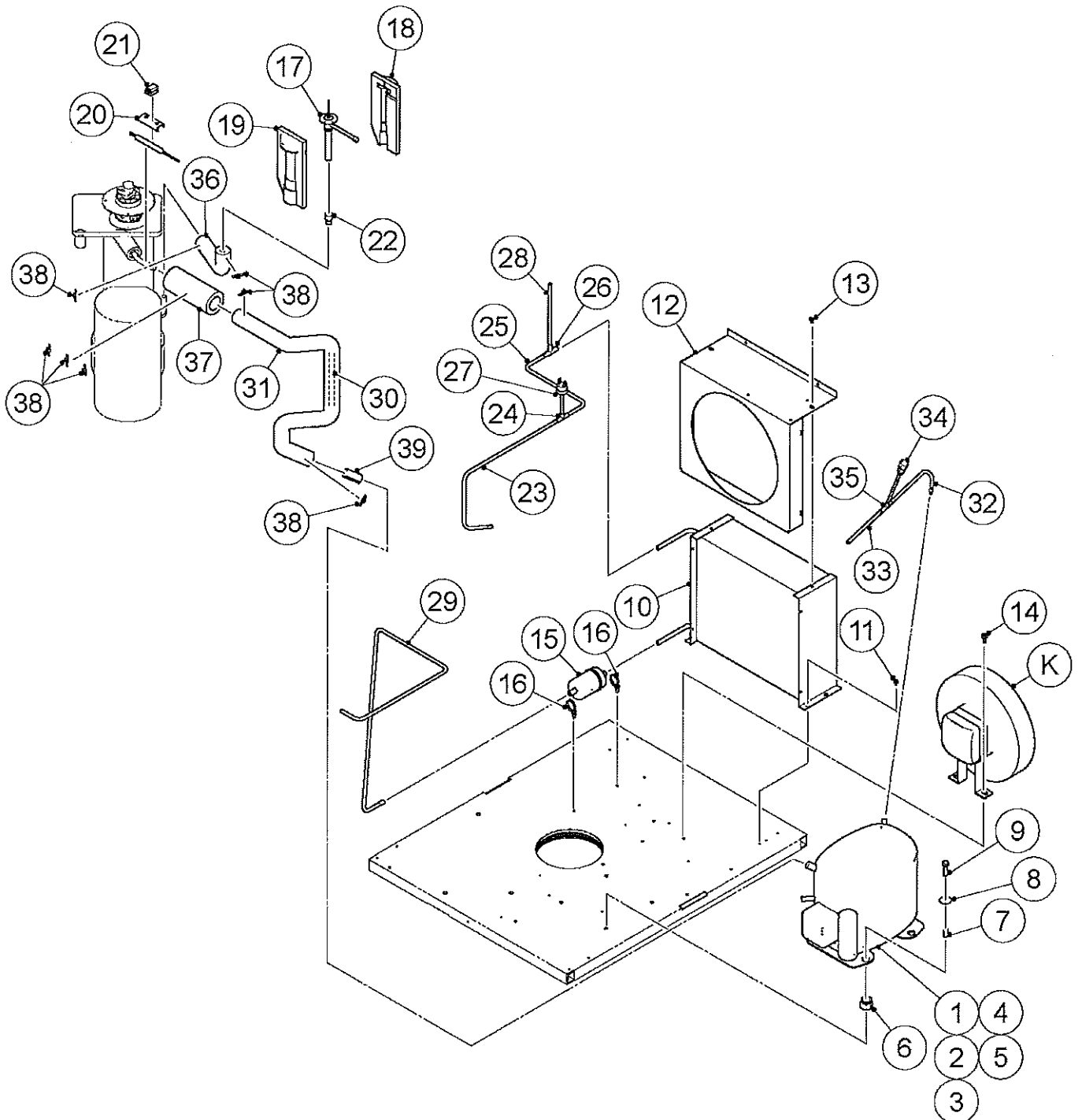
HE

MODEL: <b>FM-170AFE</b>		TITLE: <b>A. ICE FLAKER ASSY</b>					
INDEX NO.	DESCRIPTION	MATERIAL OR MODEL NUMBER	PART NUMBER	REQ'D NUMBER			
				G-1			
B	ICE MAKING UNIT		369739A01	1			
C	REFRIGERATION CIRCUIT		118281A01	1			
D	WATER CIRCUIT		118282A01	1			
E	CHUTE UNIT	S-20288	253526A01	1			
F	CONTROL BOX ASSY		369740A01	1			
G	WINDOW PANEL ASSY		348243A03	1			
H	LABEL LOCATION		253042A01	1			
Q	ACCESSORIES		ACCE2GA-0	1			
1	CHASSIS		112552G02	1			
2	REAR PANEL		253040M01	1			
3	T2 SCREW	4x8	FT20408F0	2			
4	SCREW	SUS 5x12	454353-01	2			
5	SIDE FRAME (R)		116720-01	1			
6	PAN HEAD SCREW W/WASHER (SW)	SUS 4x8	FSK0408S0	26			
7	SIDE FRAME (L)		115584-01	1			
8	FRONT FRAME		365628-01	1			
9	BRACKET-RESERVOIR		253041M01	1			
10	BRACKET-GEAR MOTOR		369738G01	1			
11	HEX, HEAD BOLT	SUS 8x12	FBH0812S0	3			
12	DRAIN PAN		323765G02	1			
13	FLAT WASHER	SUS 8	FWPL08S0	3			
14	SPLIT LOCK WASHER	SUS 8	FWSP08S0	3			
15	HEX, SOCKET HEAD CAP SCREW	8x110 (COARSE SCREW THREAD)	461285-01	3			
16	VINYL CAP		451272-01	3			
17	RING		432661-03	1			
18	"O"RING	G45	7616-G045	1			
19	CROSS RECESSED HEX.BOLT SW	SUS 4x12	FBK0412S0	3			











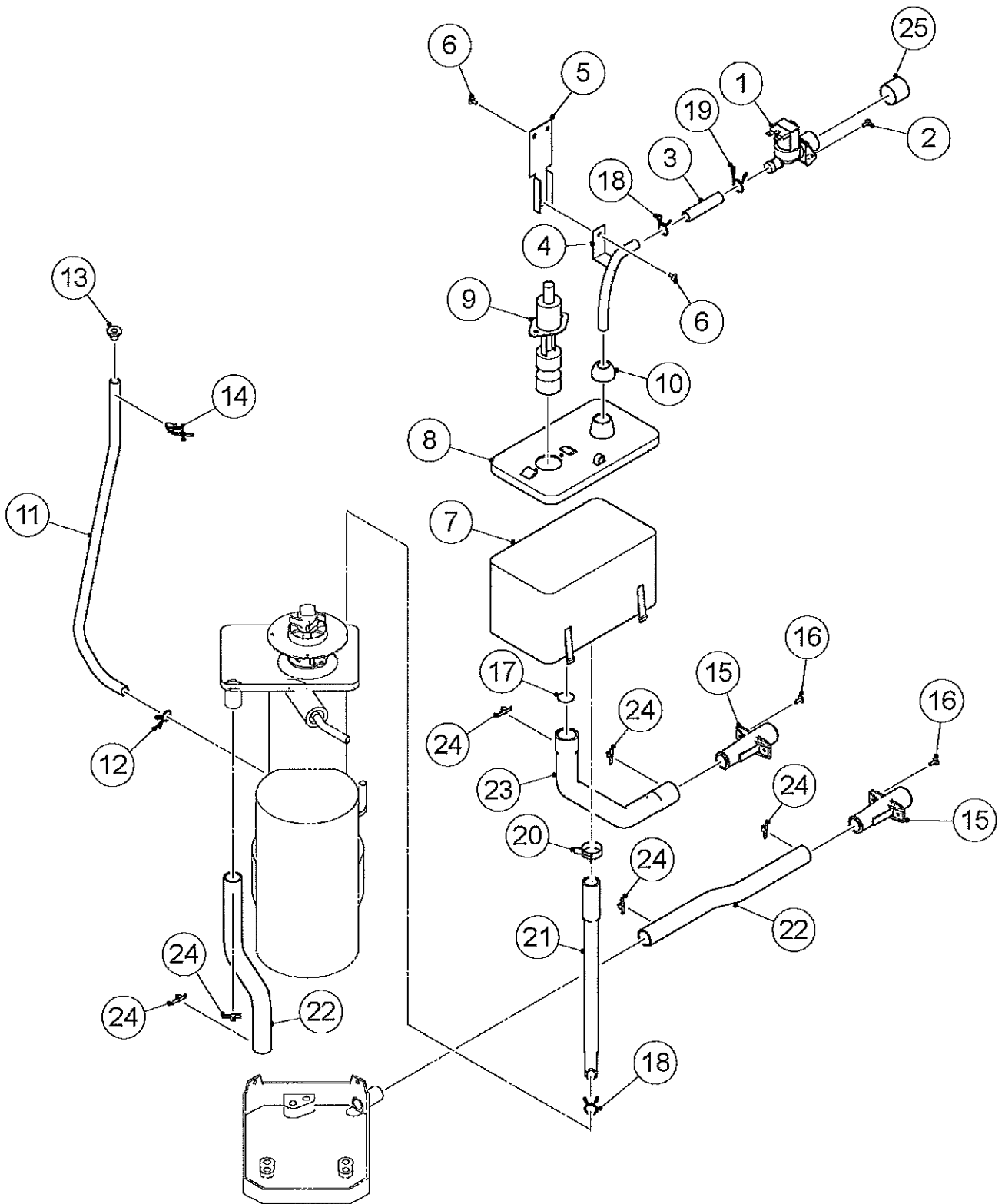
HE

MODEL: <b>FM-170AFE</b>		TITLE: <b>C. REFRIGERATION CIRCUIT</b>					
INDEX NO.	DESCRIPTION	MATERIAL OR MODEL NUMBER	PART NUMBER	REQ'D NUMBER			
				G-1			
K	FAN MOTOR ASSY		354247A02	1			
1	COMPRESSOR	SC18GX	452236-01	1			
2	STARTING CAPACITOR	117U5019 CM ACCESSORIES	456350-01	1			
3	START RELAY	117U6019 CM ACCESSORIES	452237-01	1			
4	CORD RELIEF	103N1004 CM ACCESSORIES	452239-01	1			
5	COVER	103N2009 CM ACCESSORIES	459924-01	1			
6	RUBBER GROMMET	118-3655 CM ACCESSORIES	4A1452-01	4			
7	SLEEVE	112-2052 CM ACCESSORIES	4A1451-01	4			
8	WASHER	112-2053 CM ACCESSORIES	4A1450-01	4			
9	BOLT	681×1130 CM ACCESSORIES	4A1459-01	4			
10	CONDENSER-AIR COOLED		2H3237-01	1			
11	PAN HEAD SCREW W/WASHER (SW)	SUS 4x8	FSK0408S0	3			
12	SHROUD		369742M01	1			
13	T2 SCREW	4x8	FT20408F0	6			
14	HEX,HEAD BOLT	SUS 6x12	FBH0612S0	2			
15	DRIER	DML032.5s	462965-01	1			
16	PUSH MOUNT TIE	T30RSF	436156-01	2			
17	EXPANSION VALVE		446808-01	1			
18	COVER(C)-EXPANSION VALVE		324313-03	1			
19	COVER(D)-EXPANSION VALVE		324313-04	1			

HE

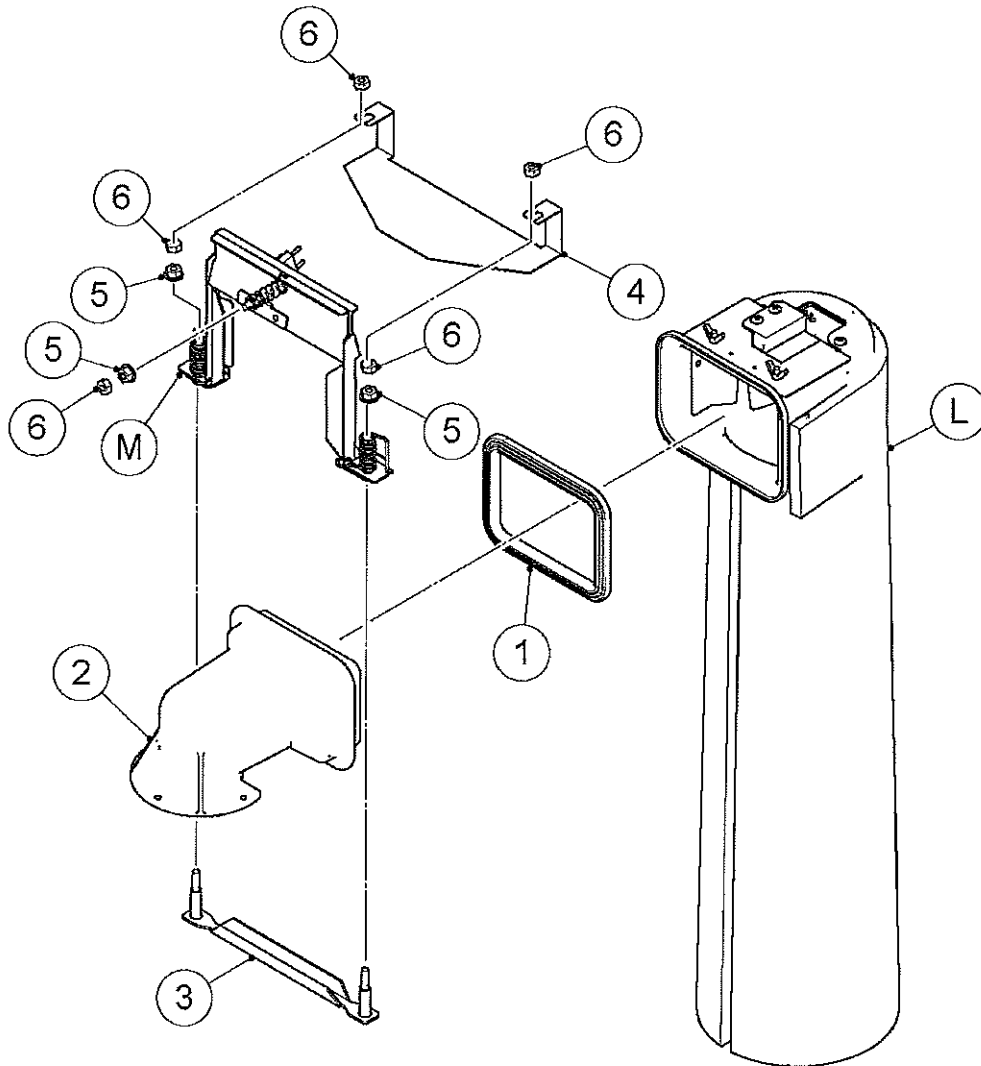
MODEL: <b>FM-170AFE</b>		TITLE: <b>C. REFRIGERATION CIRCUIT</b>					
INDEX NO.	DESCRIPTION	MATERIAL OR MODEL NUMBER	PART NUMBER	REQ'D NUMBER			
				G-1			
20	HOLDER - EXP.V		451267-01	1			
21	CLAMP		443461-02	1			
22	REDUCER	12.7x9.53	421904-01	1			
23	COPPER TUBE(A)-HIGH SIDE	COPPER TUBE-HIGH SIDE 369743G01	471436M01	1			
24	TEE	COPPER TUBE-HIGH SIDE 369743G01 6.35DIA*6.35DIA*6.35DIA	417394-01	1			
25	COPPER TUBE(B)-HIGH SIDE	COPPER TUBE-HIGH SIDE 369743G01	471437M01	1			
26	TEE	COPPER TUBE-HIGH SIDE 369743G01 6.35DIA*6.35DIA*8DIA	420041-03	1			
27	PRESSURE SWITCH	COPPER TUBE-HIGH SIDE 369743G01 SEP-P180HHD-1	459863-02	1			
28	CHARGE TUBE (B)	COPPER TUBE-HIGH SIDE 369743G01	428058-02	1			
29	COPPER TUBE(C)-HIGH SIDE		370087M01	1			
30	COPPER TUBE-LOW SIDE	COPPER TUBE-LOW SIDE 370088G01	370088M01	1			
31	INSULATION TUBE	COPPER TUBE-LOW SIDE 370088G01	H71030650	1			
32	COPPER TUBE(B1)-LOW SIDE	COPPER TUBE(B)-LOW SIDE 463016G01	463016-01	1			
33	CHARGE TUBE (B)	COPPER TUBE(B)-LOW SIDE 463016G01	428058-08	1			
34	ACCESS VALVE	COPPER TUBE(B)-LOW SIDE 463016G01	455119-01	1			



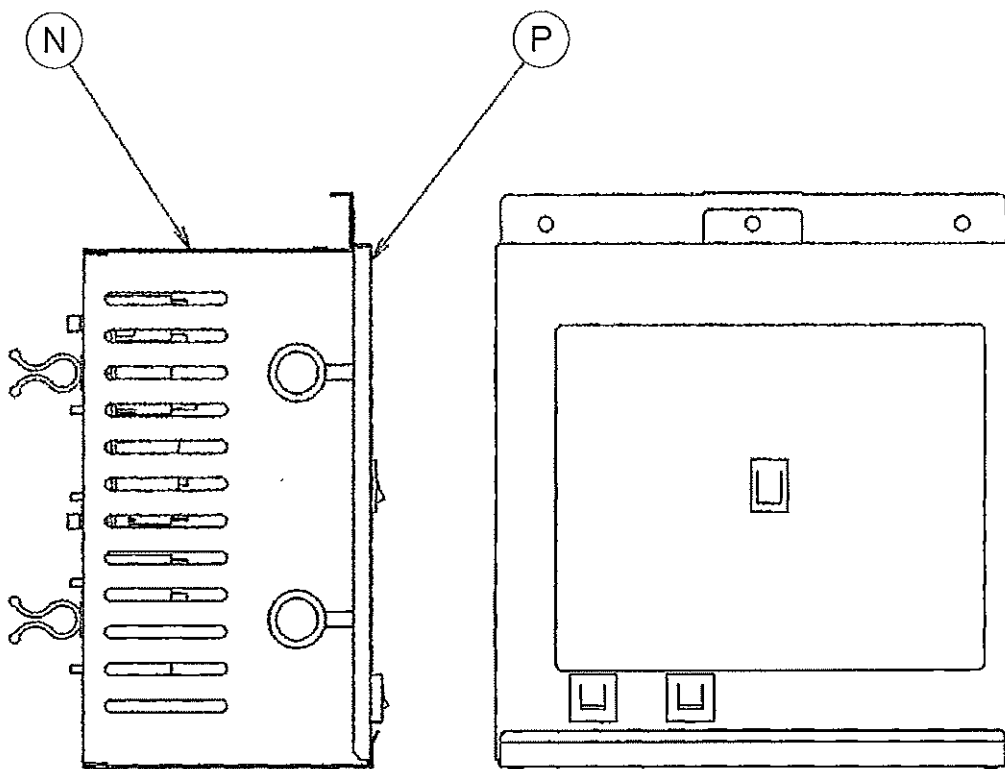


HE

MODEL: <b>FM-170AFE</b>					TITLE: <b>D. WATER CIRCUIT</b>			
INDEX NO.	DESCRIPTION	MATERIAL OR MODEL NUMBER	PART NUMBER	REQ'D NUMBER				
				G-1				
1	WATER VALVE	V-18	452993-01	1				
2	CROSS RECESSED HEX.HEAD SCREW	SUS 4x8	FBH0408S0	2				
3	SILICONE HOSE	L=60	H11014060	1				
4	PIPE-WATER SUPPLY		361681G01	1				
5	BRACKET-PIPE		471438M01	1				
6	T2 SCREW	4x8	FT20408F0	3				
7	RESERVOIR		232626-01	1				
8	RESERVOIR COVER		232627-01	1				
9	FLOAT SWITCH	OLV-29Z-2P	458279-01	1				
10	COVER-RESERVOIR INLET		415094-01	1				
11	SOFT PVC HOSE	HE0913500 L=500	7716-0913	1				
12	HOSE CLAMP	SK-13	435934-01	1				
13	CAP		431689-01	1				
14	CLAMP	NO.249	427902-03	1				
15	DRAIN PIPE		321035-01	2				
16	T2 SCREW	SUS 4x10	FT20410M0	4				
17	FILTER		464377G01	1				
18	CLAMP	SK-14	435934-02	2				
19	CLAMP	SK-15	435934-03	1				
20	CLIP BAND	T21	423866-08	1				
21	HOSE(A)		350619-01	1				
22	VINYL HOSE	HC1923370	7725-1923	2				
23	HOSE(B)		350409-01	1				
24	CABLE TIE	CV-150	7920-0003	6				
25	CAP		417323-01	1				

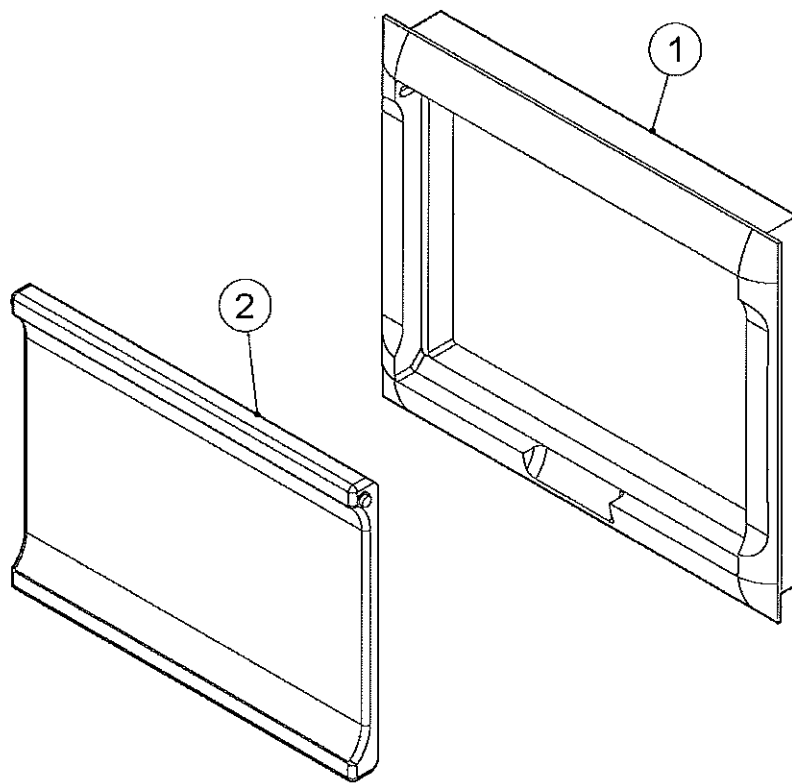




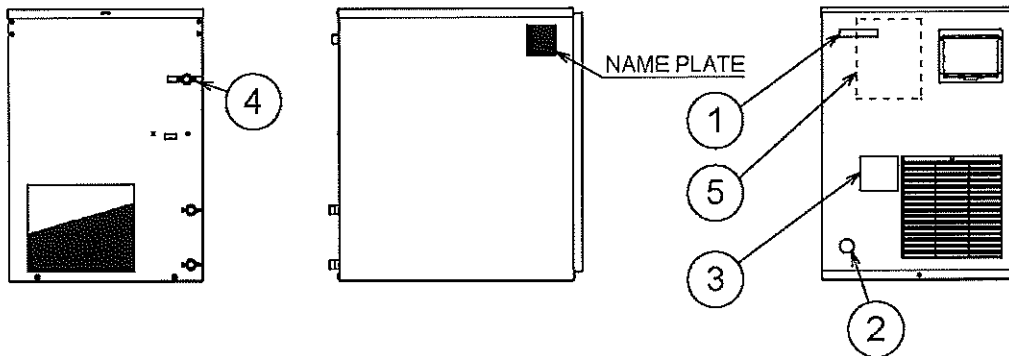
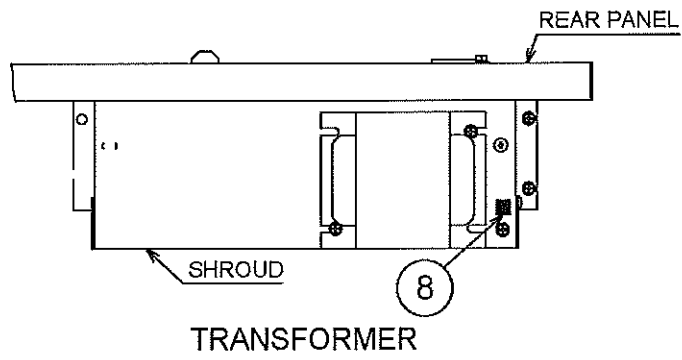
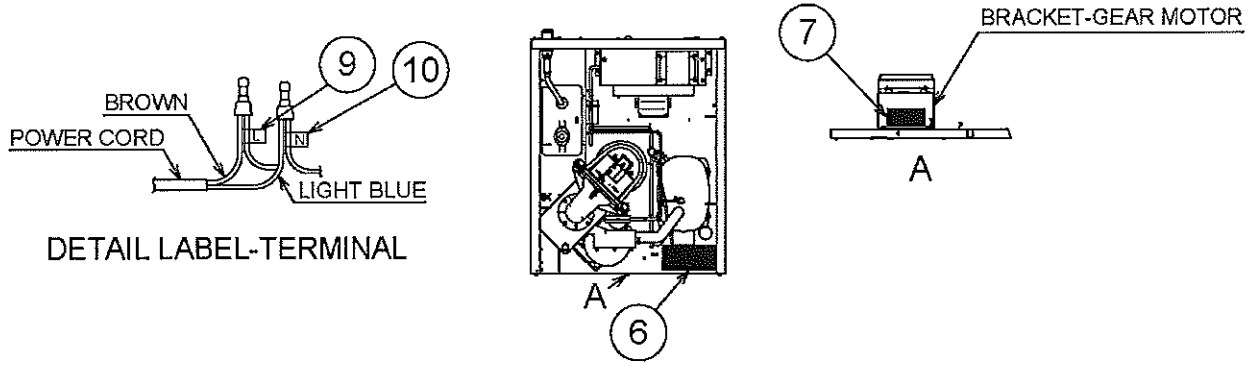




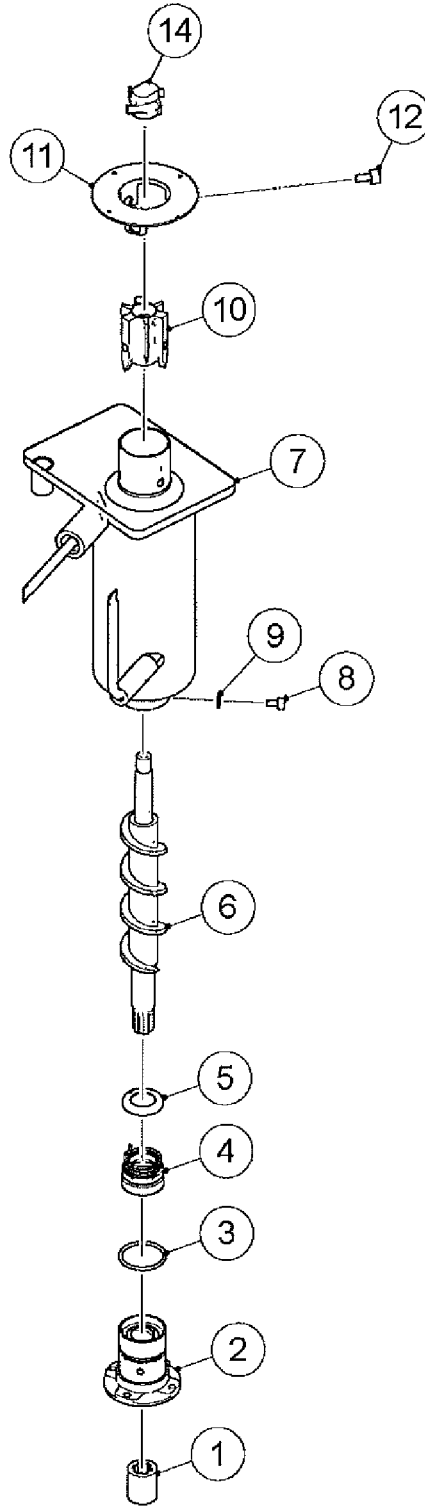




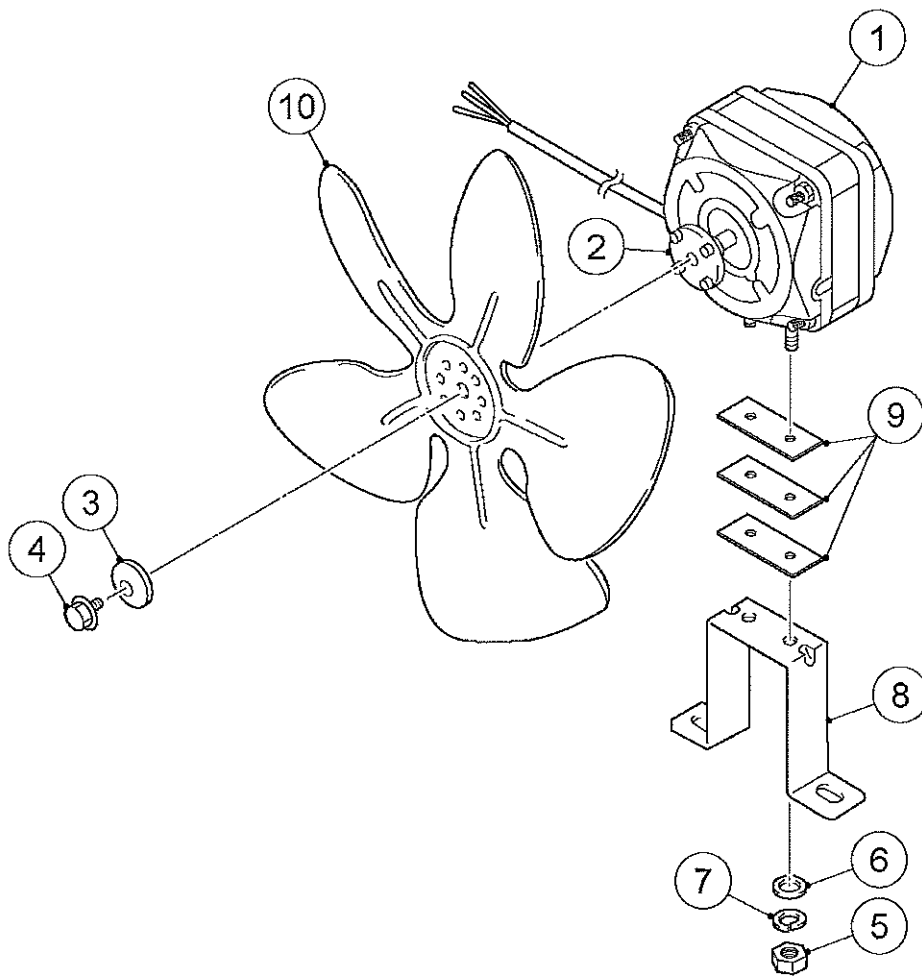






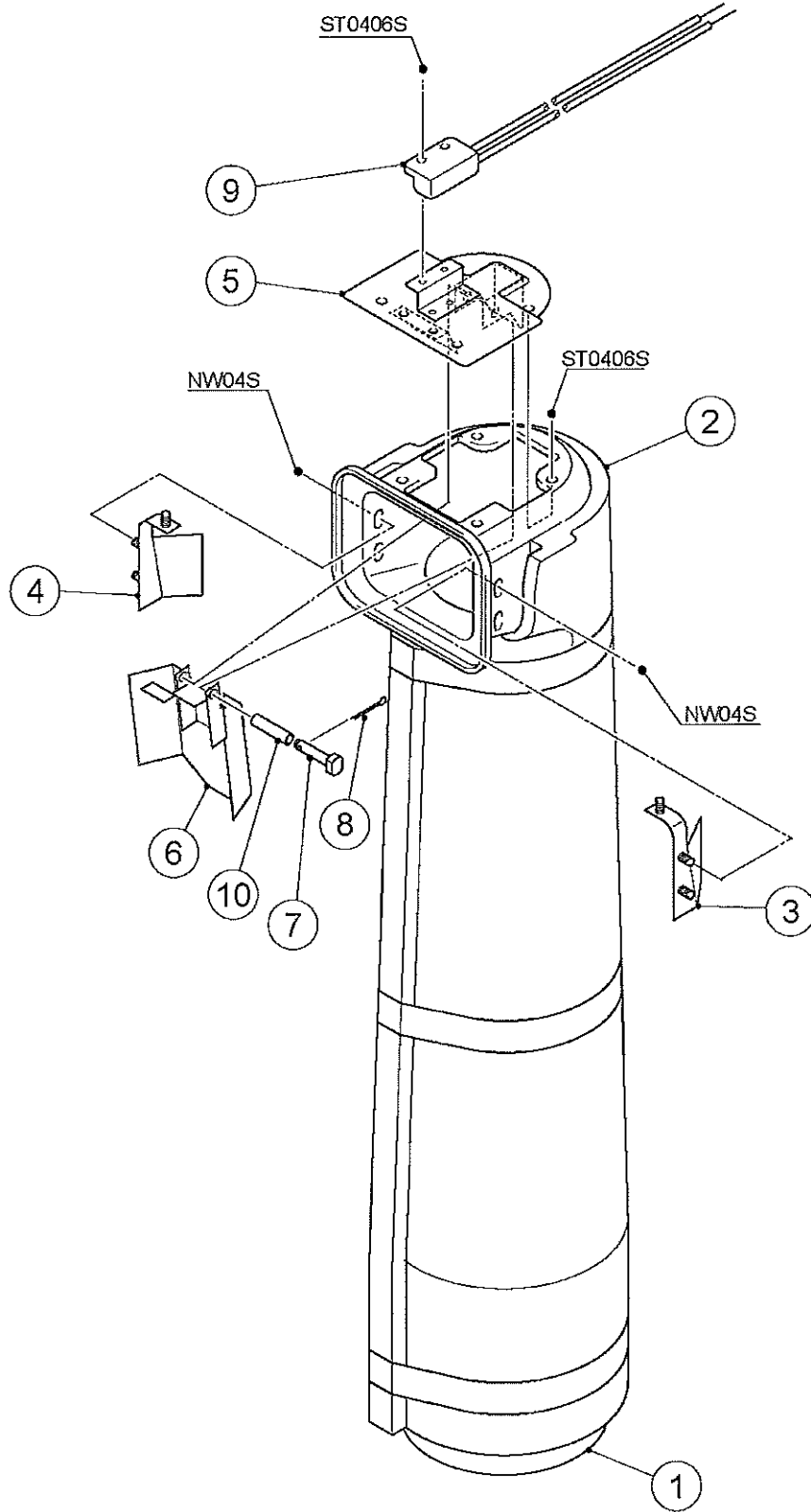














(S-9165)

FM-170AFE

M. BAND(A) ASSY

(G-1)

