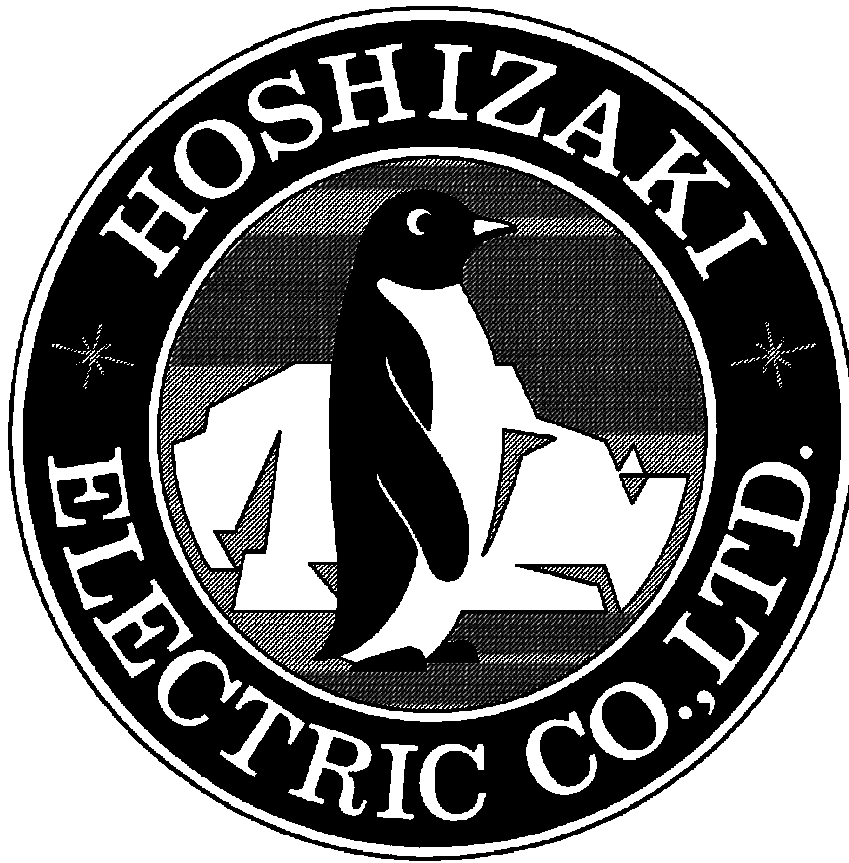


NO. S051-3315

ISSUED: JAN 2010

REVISED: JUL2011



HOSHIZAKI COUNTER SHOWCASE

MODEL

**HNC-120BE-L(R)-B
HNC-150BE-L(R)-B
HNC-180BE-L(R)-B
HNC-210BE-L(R)-B**

PARTS LIST

(HE)

K-0 JAN. 2010

A-0 JAN. 2011

A-1 MAR. 2011

AUXILIARY CODE

U - 1

The auxiliary code is the first two characters in the serial number. The first character indicates the production year. Years progress or regress in alphabetical order. The series of letters and skipped letters depend on UL listing, production, and model. See the auxiliary code(s) and corresponding year(s) on the front cover.

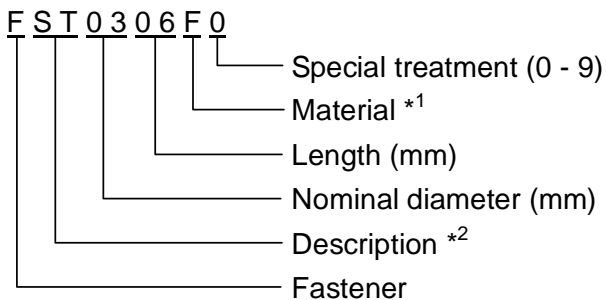
The second character indicates significant part changes within the same year. Base is "1" and this number advances for each change. If there is no significant part change at the turn of the year, this number starts from "0."

MARKS LOCATED UNDER THE AUXILIARY CODE

- = Part deleted.
- x = Part deleted and replaced by "o" part.
- o = New part in place of "x" part.

FASTENER PART NUMBER

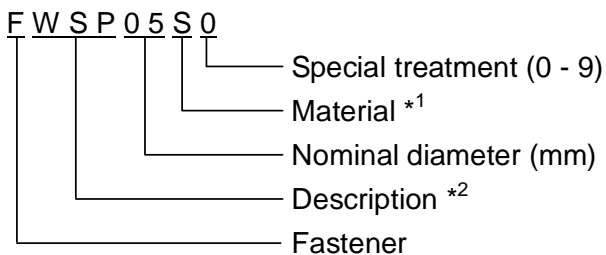
SCREWS



*¹ Material

- F: Steel
- S: Austenitic stainless steel
- M: Martensitic stainless steel
- B: Copper alloy
- P: Polycarbonate
- N: Polyamide
- V: PVC
- A: ABS
- X: Polyacetal
- L: Aluminum

NUTS & WASHERS



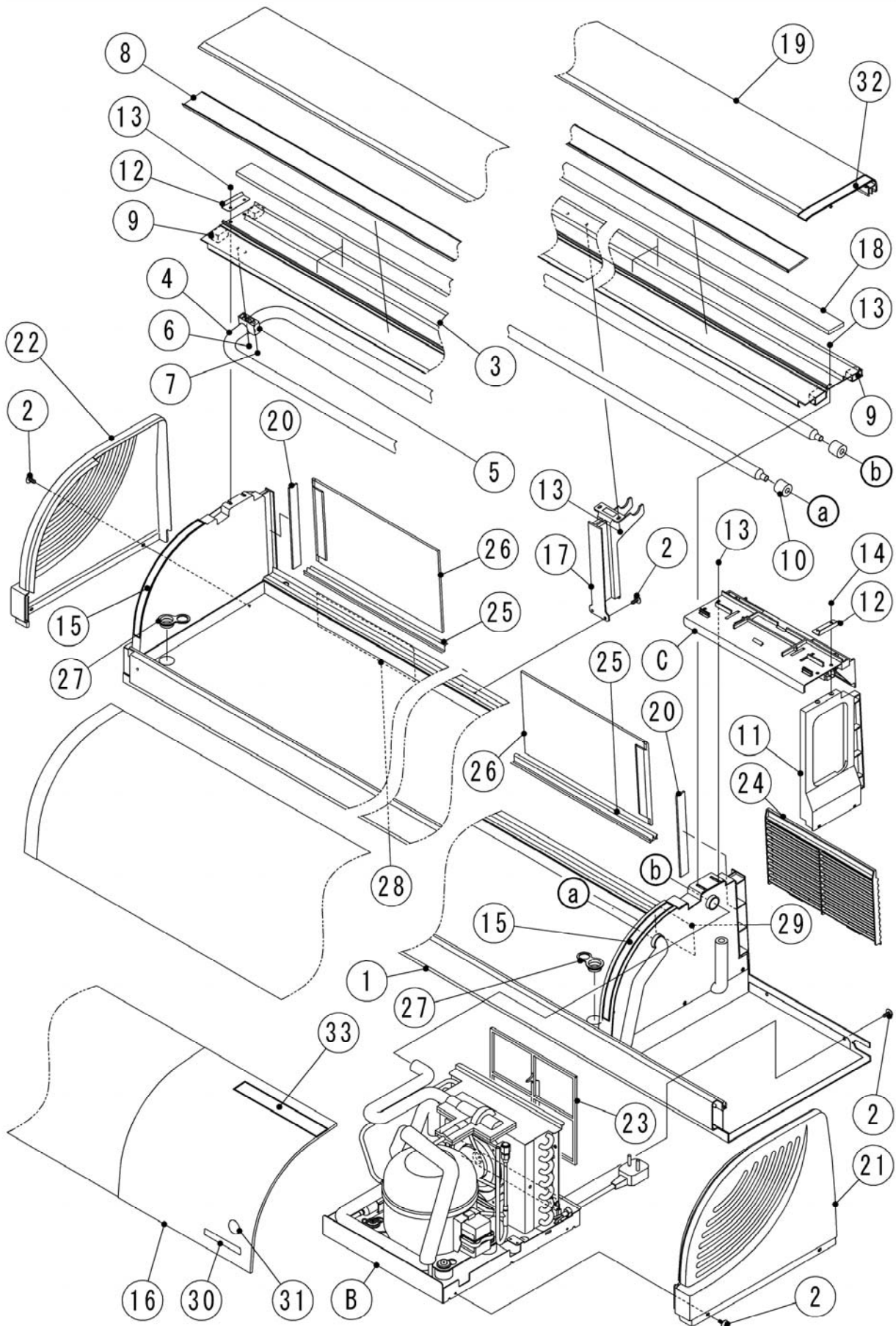
*² Description

- First letter
- S: Machine screw
- T: Tapping screw
- M: Wood screw
- B: Bolt
- W: Washer
- N: Nut

HNC-120BE-L (R) -B
HNC-150BE-L (R) -B
HNC-180BE-L (R) -B
HNC-210BE-L (R) -B

A. GENERAL AY

(K-0) and later



HE

MODEL: HNC-120BE-L(R)-B HNC-150BE-L(R)-B HNC-180BE-L(R)-B HNC-210BE-L(R)-B		TITLE: A.GENERAL AY					
INDEX NO.	DESCRIPTION	MATERIAL OR MODEL NUMBER	PART NUMBER	REQ'D NUMBER			
				K-0 A-0 A-1			
B	REFRIGERATION AY - L	(L)	1R2551001	1			
	REFRIGERATION AY - R	(R)	1R2547001	1			
C	ELB BRACKET AY	(L)	2R4742001	1			
		(R)	2R4736001	1			
D	ACCESSORIES	(120)	A02063001	1			
		(150)	A02062001	1			
		(180)	A02061001	1			
		(210)	A02060001	1			
1	BASE AY - 12L	(120BE-L)	1R2564001	1			
	BASE AY - 12R	(120BE-R)	1R2562001	1			
	BASE AY - 15L	(150BE-L)	1R2559001	1			
	BASE AY - 15R	(150BE-R)	1R2558001	1			
	BASE AY - 18L	(180BE-L)	1R2555001	1			
	BASE AY - 18R	(180BE-R)	1R2554001	1			
	BASE AY - 21L	(210BE-L)	1R2550001	1			
	BASE AY - 21R	(210BE-R)	1R2546001	1			
2	TAPPING SCREW - BRACK	(120)	433954-01	6			
		(150,180,210)	433954-01	8			
3	TOP FRAME L - 12	(120BE-L)	2R4464M05	1			
	TOP FRAME R - 12	(120BE-R)	2R4464M01	1			
	TOP FRAME L - 15	(150BE-L)	2R4464M06	1			
	TOP FRAME R - 15	(150BE-R)	2R4464M02	1			
	TOP FRAME L - 18	(180BE-L)	2R4464M07	1			
	TOP FRAME R - 18	(180BE-R)	2R4464M03	1			
	TOP FRAME L - 21	(210BE-L)	2R4464M08	1			
	TOP FRAME R - 21	(210BE-R)	2R4464M04	1			
4	PIPE UP - EVAP12	(120)	3R5151G02	1			
	PIPE UP - EVAP15	(150)	3R5151G03	1			
	PIPE UP - EVAP18	(180)	3R5151G04	1			
	PIPE UP - EVAP21	(210)	3R5151G05	1			
5	HOLDER AY		4R2804A01	1			
6	TRUSS HEAD TAPPING SCREW T2		FT20410M0	1			

(1/3)

HE

MODEL: HNC-120BE-L(R)-B HNC-150BE-L(R)-B HNC-180BE-L(R)-B HNC-210BE-L(R)-B		TITLE: A.GENERAL AY					
INDEX NO.	DESCRIPTION	MATERIAL OR MODEL NUMBER	PART NUMBER	REQ'D NUMBER			
				K-0 A-0 A-1			
7	TRUSS HEAD TAPPING SCREW T2		FT20430M0	1			
8	TOP PACKING - 12	(120)	3S1630P01	1			
	TOP PACKING - 15	(150)	3S1630P02	1			
	TOP PACKING - 18	(180)	3S1630P03	1			
	TOP PACKING - 21	(210)	3S1630P04	1			
9	INSULATION - TOP FRAME		4R5131P01	4			
10	SEAL A - EVAP		4R2368-01	2			
11	SIDE FRAME L	(L)	2R4504P02	1			
	SIDE FRAME R	(R)	2R4504P01	1			
12	FOOK		4R5121M01	2			
13	TRUSS HEAD TAPPING SCREW T2	(120)	FT20410M0	6			
		(150,180,210)	FT20410M0	8			
14	TRUSS HEAD TAPPING SCREW T1		FT10416M0	2			
15	SOFT SEAL A		4R5133P01	2			
16	FRONT GLASS - 12	(120)	P01641-02	1			
	FRONT GLASS - 15	(150)	P01641-03	1			
	FRONT GLASS - 18	(180)	P01641-04	1			
	FRONT GLASS - 21	(210)	P01641-05	1			
17	CENTER FRAME AY	(150,180,210)	2R4737G01	1			
18	INSULATION B	(120)	4R5132P02	2			
	INSULATION C	(150)	4R5132P03	2			
	INSULATION D	(180)	4R5132P04	4			
	INSULATION E	(210)	4R5132P05	4			
19	TOP COVER - 12	(120)	2R4467P01	1			
	TOP COVER - 15	(150)	2R4467P02	1			
	TOP COVER - 18	(180)	2R4467P03	1			
	TOP COVER - 21	(210)	2R4467P04	1			
20	CUSSION - SIDE PANEL		4R5123R01	2			
21	SIDE COVER R AY		3S2080G01	1			
22	SIDE COVER L AY		3S2078G01	1			
23	AIR FILTER		3S1695G01	1			
24	LOUVER - UNIT		2R4506P01	1			
25	SLIDER - 12	(120)	4R2254-02	1			

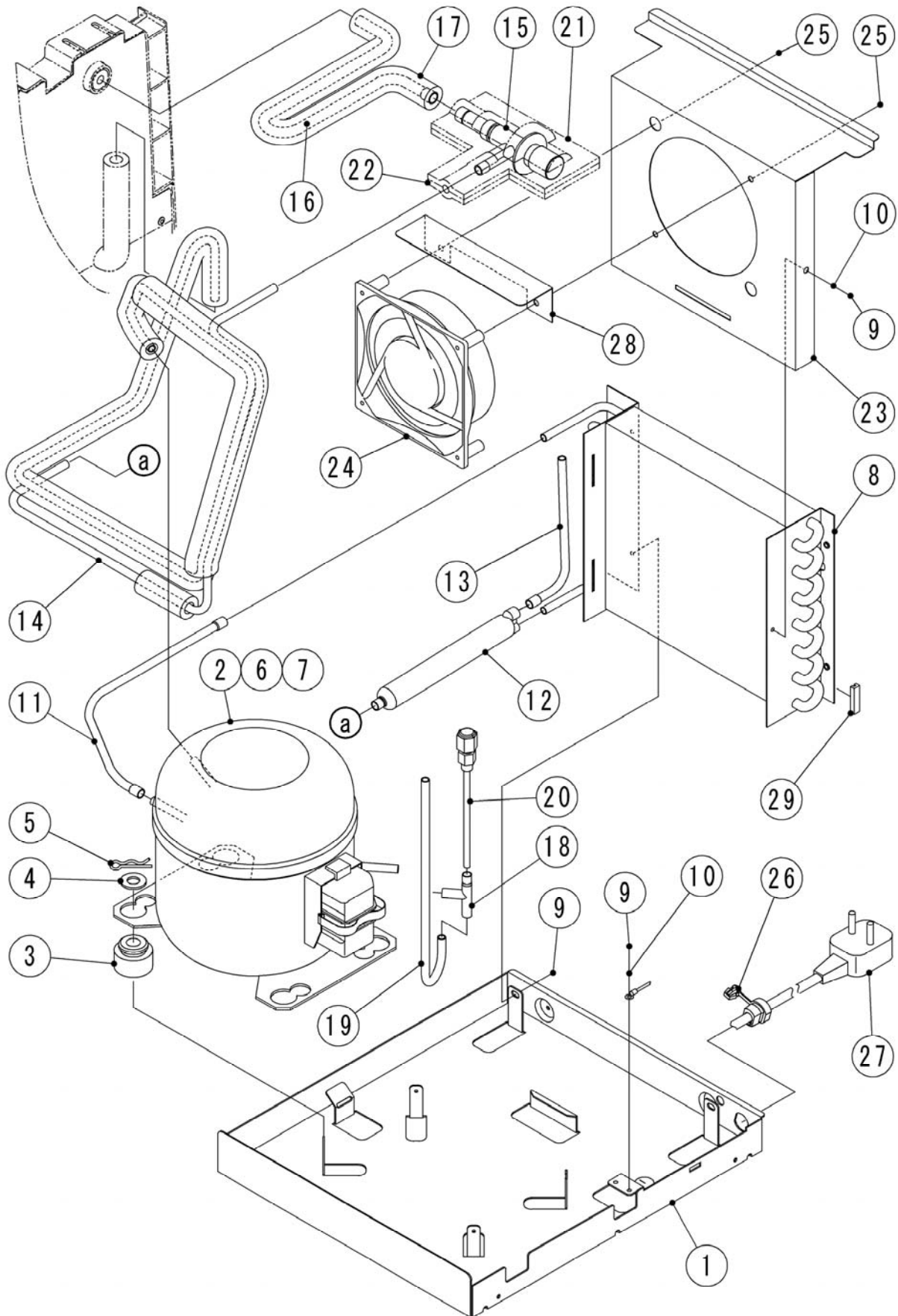
HE

MODEL: HNC-120BE-L(R)-B HNC-150BE-L(R)-B HNC-180BE-L(R)-B HNC-210BE-L(R)-B		TITLE: A.GENERAL AY					
INDEX NO.	DESCRIPTION	MATERIAL OR MODEL NUMBER	PART NUMBER	REQ'D NUMBER			
				K-0 A-0 A-1			
25	SLIDER - 15	(150)	4R2254-03	2			
	SLIDER - 18	(180)	4R2254-04	2			
	SLIDER - 21	(210)	4R2254-05	2			
26	SLIDE DOOR - 12	(120)	3R5335G02	2			
	SLIDE DOOR - 15	(150)	3R5335G03	4			
	SLIDE DOOR - 18	(180)	3R5335G04	4			
	SLIDE DOOR - 21	(210)	3R5335G05	4			
27	CAP - DRAIN	(120)	4R2260-01	1			
		(150,180,210)	4R2260-01	2			
28	MAINTENANCE LABEL		2R4792L01	1			
29	NAME PLATE		N/A	1			
30	NAME PLATE(S)		431136-01	1			
31	LABEL - PENGUIN	(L)	455907-02	1			
		(R)	455907-01	1			
32	SOFT SEAL B		4R5133P02	1			
33	SOFT SEAL C		4R5133P03	1			

HNC-120BE-L (R) -B
HNC-150BE-L (R) -B
HNC-180BE-L (R) -B
HNC-210BE-L (R) -B

B. REFRIGERATION AY/L (R)

(K-0) and later



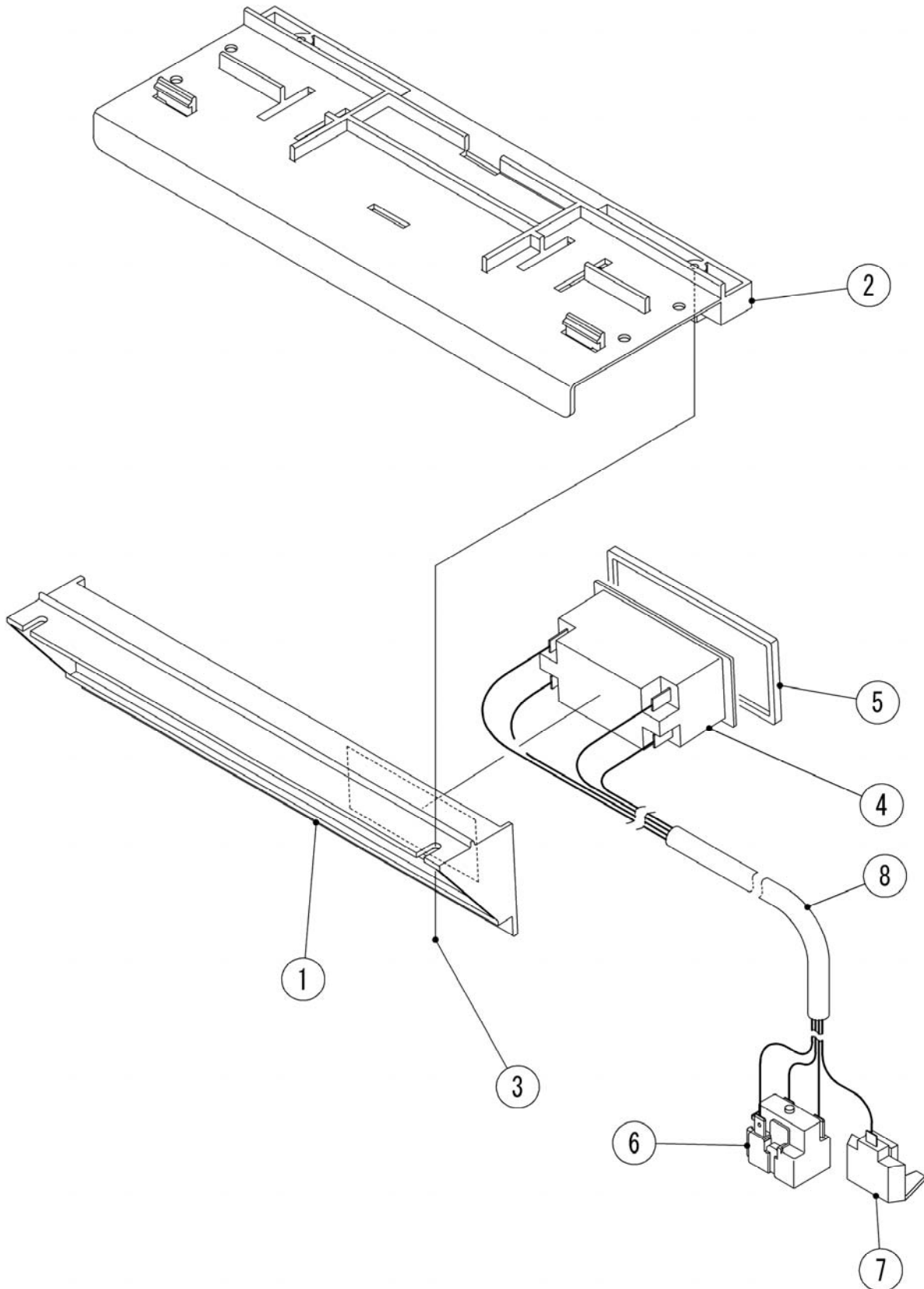
HE

MODEL: HNC-120BE-L(R)-B HNC-150BE-L(R)-B HNC-180BE-L(R)-B HNC-210BE-L(R)-B		TITLE: B. REFRIGERATION AY - L (R)					
INDEX NO.	DESCRIPTION	MATERIAL OR MODEL NUMBER	PART NUMBER	REQ'D NUMBER			
				K-0 A-0 A-1			
1	BASE - UNIT	(L)	2R4551M06	1			
		(R)	2R4551M05	1			
2	COMPRESSOR		444734-01	1			
3	RUBBER GROMMET		443695-01	4			
4	FLAT WASHER		FWPL10S0	3			
5	SNAP PIN		715S-0010	3			
6	TERMINAL COVER 8		437648-01	1			
7	COVER BAND H		437649-01	1			
8	CONDENSER		P01558-01	1			
9	TRUSS HEAD TAPPING SCREW (S-TITE)		FST0408S0	4			
10	SPRING WASHER		FWSP04S0	2			
11	COPPER TUBE A - HI L	(L)	3S2129M02	1			
	COPPER TUBE A - HI R	(R)	3S2129M01	1			
12	DRIER		458772-01	1			
13	COPPER TUBE K		4R5252M02	1			
14	HEAT EXCHANGER L	(L)	2R4784G01	1			
	HEAT EXCHANGER R	(R)	2R4783G01	1			
15	EXPANSION VALVE		447283-01	1			
16	COPPER TUBE - EVAP		3S1771M01	1			
17	INSULATION TUBE		H71020400	1			
18	TEE		420041-21	1			
19	COPPER TUBE J		4R2829M02	1			
20	CHARGE PORT		455119-01	1			
21	COVER A - EXPV		321949-05	1			
22	COVER B - EXPV		321949-06	1			
23	SHROUD	(L)	3S1772M02	1			
		(R)	3S1772M01	1			
24	FAN MOTOR		4R2823-01	1			
25	TRUSS HEAD TAPPING SCREW T2		FT20410M0	3			
26	BUSHING		448949-01	1			
27	POWER SUPPLY CORD - ASSY		4R5299A01	1			
28	WATER COVER - FAN		4R5405M01	1			
29	BUSHING		7991KB025	1			

HNC-120BE-L (R) -B
HNC-150BE-L (R) -B
HNC-180BE-L (R) -B
HNC-210BE-L (R) -B

C. ELB BRACKET AY

(K-0) and later



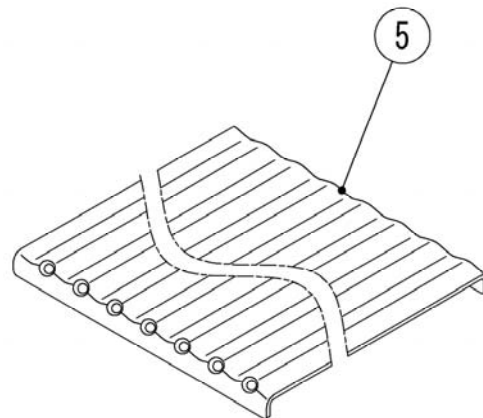
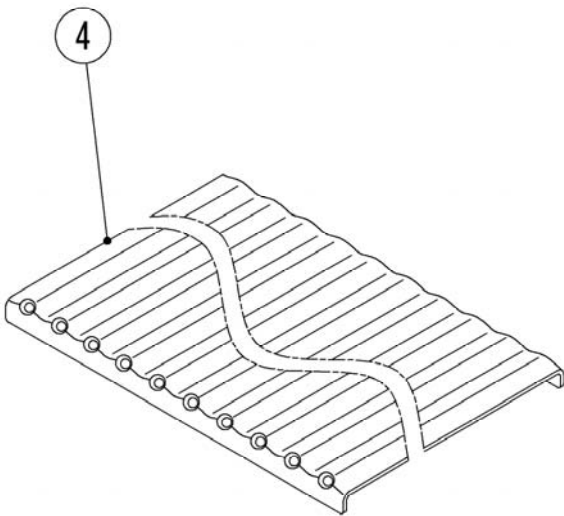
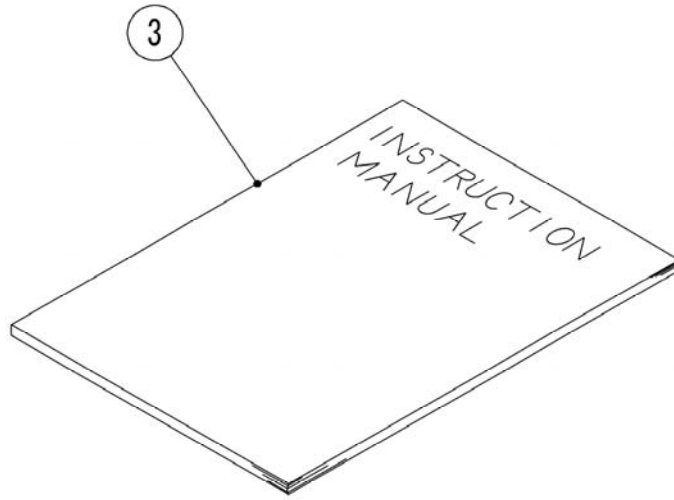
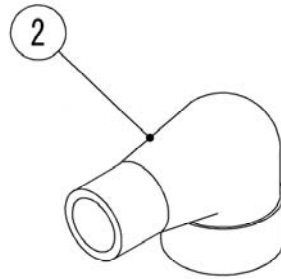
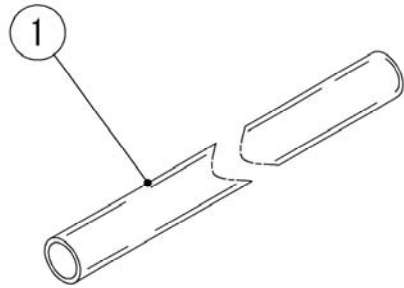
HE

MODEL: HNC-120BE-L(R)-B HNC-150BE-L(R)-B HNC-180BE-L(R)-B HNC-210BE-L(R)-B		TITLE: C.ELB BRACKET AY					
INDEX NO.	DESCRIPTION	MATERIAL OR MODEL NUMBER	PART NUMBER	REQ'D NUMBER			
				K-0 A-0 A-1			
1	ELB BRACKET	(L)	2R4479P02	1			
		(R)	2R4479P01	1			
2	TOP FRAME - UNIT		2R4478P01	1			
3	TRUSS HEAD TAPPING SCREW T1		FT10416M0	2			
4	LEAK BREAKER		461853-01	1			
5	COVER - ELB		461854-01	1			
6	STARTER		446799-01	1			
7	MOTOR PROTECTOR		446791-03	1			
8	WIREHARNES - UNIT		3S2138G01	1			

HNC-120BE-L (R) -B
HNC-150BE-L (R) -B
HNC-180BE-L (R) -B
HNC-210BE-L (R) -B

D. ACCESSORIES AY

(K-0) and later



HE

MODEL: HNC-120BE-L(R)-B HNC-150BE-L(R)-B HNC-180BE-L(R)-B HNC-210BE-L(R)-B								TITLE: D.ACCESSORIES AY			
INDEX NO.	DESCRIPTION	MATERIAL OR MODEL NUMBER	PART NUMBER	REQ'D NUMBER							
				K-0 A-0 A-1							
1	VINYL HOSE		HA1519H15	1							
2	ELBOW	(120)	3R5082-01	1							
		(150,180,210)	3R5082-01	2							
3	INSTRUCTION MANUAL		L1S051201	1							
4	FOOD MAT A	(120)	2R1393-03	2							
		(150)	2R1393-03	3							
		(180)	2R1393-03	4							
		(210)	2R1393-03	5							
5	FOOD MAT B		2R1393-04	1							