



---

MODULAR CUBER

IM-130ANE-HC  
IM-130ANE-HC-23

# PARTS LIST

[HE] [GRAM]

M037  
M037-D001,D002,D003,D020

D-1 OCT.2014  
G-1 APR.2017  
G-2 VOV.2017  
J-1 JUL. 2019  
J-2 SEP. 2019

## List of Specifications

IM-130ANE-HC	M037	Standard
IM-130ANE-HC-23	M037-D001	23mm ICE of IM-130ANE-HC
IM-130ANE-HC	M037-D002	SUS316 FRAME of IM-130ANE-HC
IM-130ANE-HC-23	M037-D003	23mm ICE, SUS316 FRAME of IM-130ANE-HC
IM-130ANE-HC	M037-D020	For GRAM

## Auxiliary Codes

### Auxiliary Code Breakdown

The auxiliary code is the first two characters in the serial number. The first character indicates the year. Years progress or regress in alphabetical order. The series runs from "A" through "V" and the letters "I" and "O" are skipped. The second character indicates significant part changes within a year. Base is "0" and this number advances for each change. In cases where there is a letter in parentheses, this designates the month. This is the last character in the serial number. The series runs from "(A)" through "(M)" and the letter "(I)" is skipped. This designation is only included when identifying a parts change within an auxiliary code.

### Note About Ordering Parts

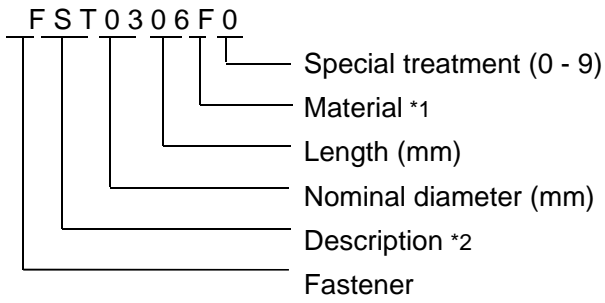
Most assemblies cannot be ordered as complete units; parts in the assemblies generally must be ordered separately.

## MARKS LOCATED UNDER THE AUXILIARY CODE

- = Part deleted.

## FASTENER PART NUMBER

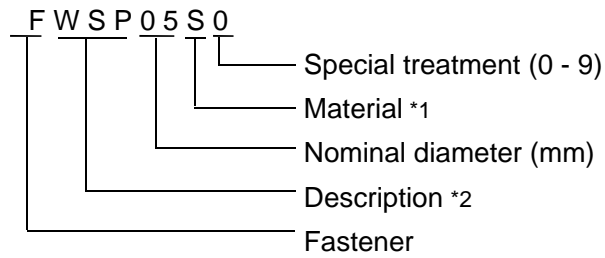
### SCREWS



\*1

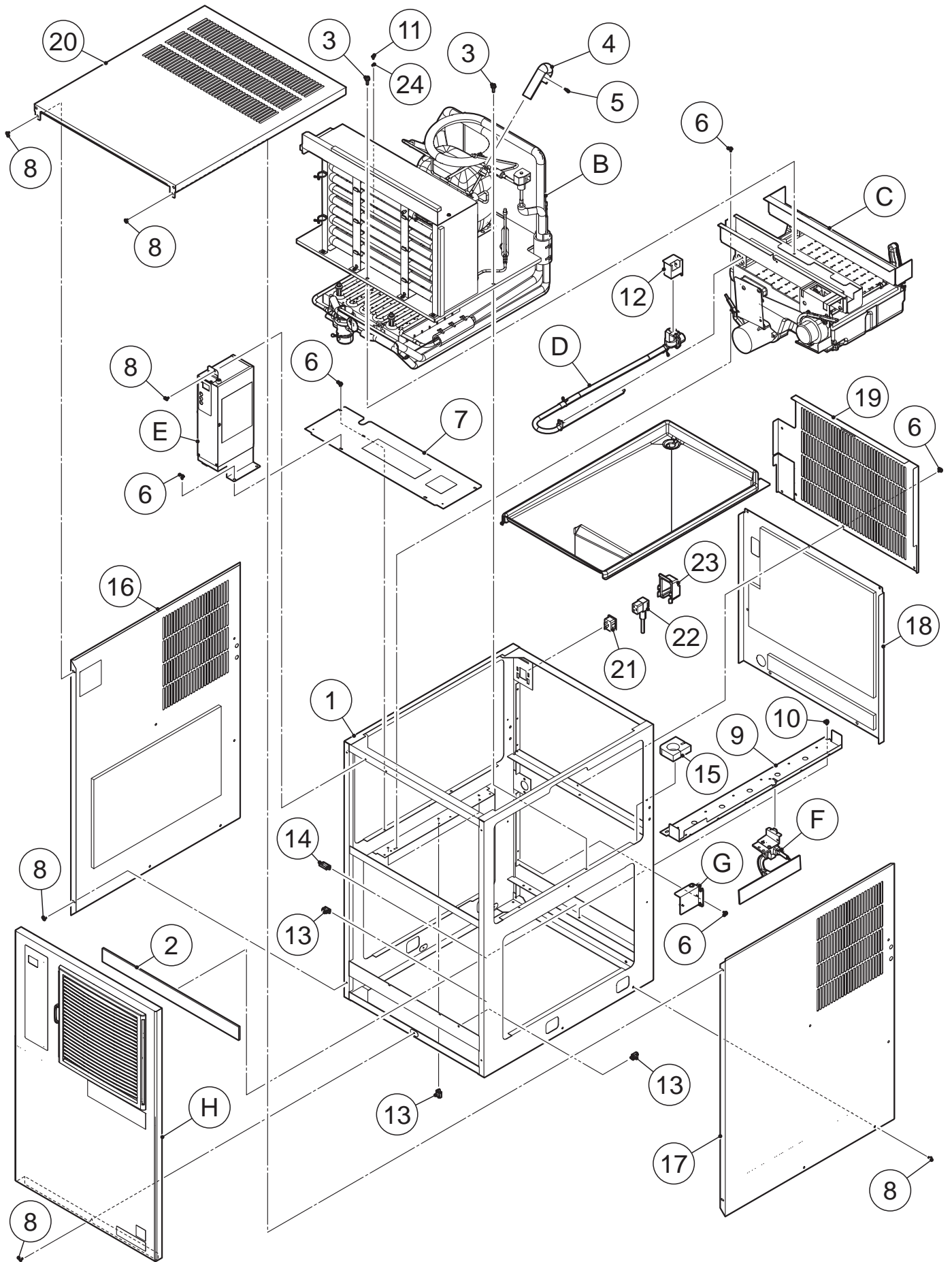
F: Steel  
S: Austenitic stainless steel  
M: Martensitic stainless steel  
B: Copper alloy  
P: Polycarbonate  
N: Polyamide  
V: PVC  
A: ABS  
X: Polyacetal  
L: Aluminum

### NUTS & WASHERS



\*2

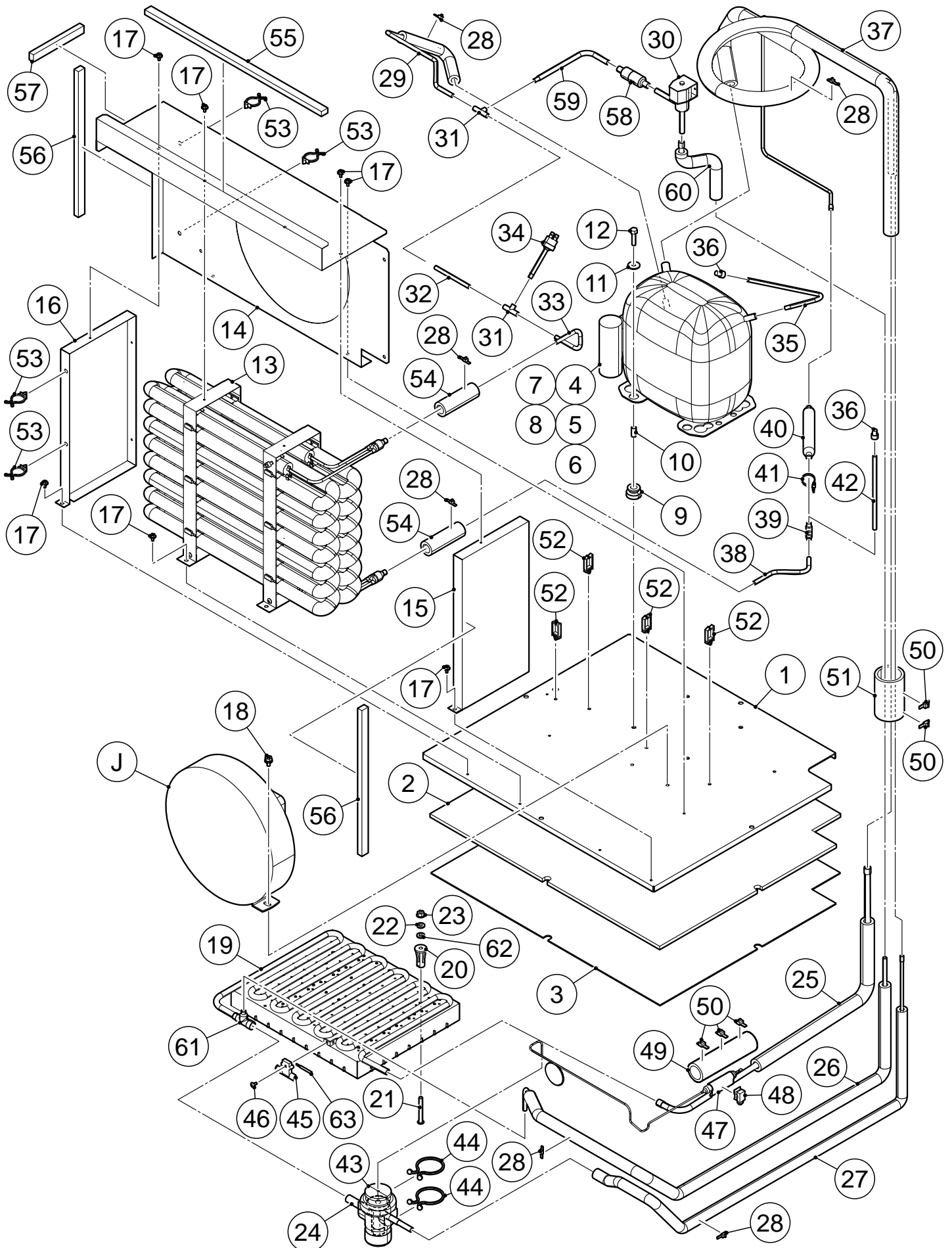
First letter  
S: Machine screw  
T: Tapping screw  
M: Wood screw  
B: Bolt  
W: Washer  
N: Nut



HE, GRAM

MODEL: <b>IM-130ANE-HC</b> <b>IM-130ANE-HC-23</b>		TITLE: <b>A. ICE CUBER ASSY</b>						
INDEX NO.	DESCRIPTION	MATERIAL OR MODEL NUMBER	PART NUMBER	REQ'D NUMBER				
				D-1 G-0	G-1	G-2 J-0	J-1	J-2
B	REFRIGERATION ASSY		123249A01	1	1	-	-	-
			1H6014A01	-	-	1	1	1
		IM-130ANE-HC-23	123249001	1	1	1	1	-
			1H6014001	-	-	-	-	1
C	MECHANISM ASSY		123247A01	1	1	1	1	1
D	WATER CIRCUIT ASSY		266660A01	1	1	1	1	1
E	CONTROL BOX ASSY		122306A02	1	1	-	-	-
			2X3382A02	-	-	1	-	-
			2X3382A04	-	-	-	1	1
		IM-130ANE-HC-23	122306A02	1	1	1	1	-
			2X3382A02	-	-	-	-	1
F	BIN SWITCH-2 ASSY		3Y5468A01	1	1	1	1	1
G	GAS SENSOR ASSY		480193A01	1	1	1	1	1
H	FRONT COVER ASSY	(HE)	263633A01	1	1	1	1	1
		(GRAM)	263633A02	1	1	1	1	1
R	ACCESSORIES		A02690-01	1	1	1	1	1
S	OPTIONAL PARTS		OPT-E1CP	1	1	1	1	1
1	UNIT FRAME		1H4740G01	1	1	1	1	1
		(SUS316)	1H5537G01					
2	INSULATION-FRAME (A)		4Y6982P01	1	1	1	1	1
3	HEX HEAD BOLT (SPRING WASHER AND FLAT WASHER)		FBK0620S0	4	4	4	4	4
4	Insulation Tube		H71527130	1	1	1	1	1
5	TIE	CV-150N,T30R	7920-0003	1	1	1	1	1
6	Flange Bolt (C-TITE)		FTR0408M0	21	21	21	21	21
7	COVER - FRAME		377461G01	1	1	1	1	1
8	S-TITE TRUSS HEAD SCREW		FTS0408M0	16	16	16	16	16
9	FRAME - BIN SWITCH		380499M01	1	1	1	1	1
10	HEX HEAD BOLT (SPRING WASHER AND FLAT WASHER)		FBK0508S0	2	2	2	2	2
11	TRUSS HEAD SCREW		FST0408S0	1	1	1	1	1
12	COVER-WATER VALVE		3Y6277M01	1	1	1	1	1
13	WIRE SADDLE		428060-03	5	5	5	5	5





HE, GRAM

MODEL: <b>IM-130ANE-HC</b> <b>IM-130ANE-HC-23</b>		TITLE: <b>B. REFRIGERATION ASSY</b>						
INDEX NO.	DESCRIPTION	MATERIAL OR MODEL NUMBER	PART NUMBER	REQ'D NUMBER				
				D-1 G-0	G-1	G-2 J-0	J-1	J-2
J	FAN MOTOR ASSY		380423A01	1	1	1	1	1
1	BASE		380382G01	1	1	1	1	1
2	INSULATION - BASE		4Y6898P01	1	1	1	1	1
3	PLATE/BASE		4Y0249-01	1	1	1	1	1
4	COMPRESSOR		P03539-01	1	1	1	1	1
5	STARTING RELAY		P03540-01	1	1	1	1	1
6	COVER		P01179-01	1	1	1	1	1
7	START CAPACITOR		456350-01	1	1	1	1	1
8	CORD RELIEF		452239-01	1	1	1	1	1
9	GROMMET		450897-01	4	4	4	4	4
10	BUSH CUSHION		450895-01	4	4	4	4	4
11	WASHER CUSHION		450894-01	4	4	4	4	4
12	BOLT		4A1459-01	4	4	4	4	4
13	CONDENSER ASSY		266549G01	1	1	1	1	1
14	SHROUD		380386M01	1	1	1	1	1
15	SHROUD (R) - SIDE		380387M01	1	1	1	1	1
16	SHROUD (L) - SIDE		380388M01	1	1	1	1	1
17	Flange Bolt (C-TITE)		FTR0408M0	14	14	14	14	14
18	HEX HEAD BOLT (SPRING WASHER AND FLAT WASHER)		FBK0612F0	2	2	2	2	2
19	EVAPORATOR		2H6438G03	1	1	-	-	-
			2X2463G01	-	-	1	1	1
	EVAPORATOR 23MM	IM-130ANE-HC-23	2H1836G01	1	1	1	1	-
			2X2590G01	-	-	-	-	1
20	COLLAR		3H3879-01	4	4	4	4	4
21	SCREW EVAPORATOR		4Y4922M02	4	4	4	4	4
		IM-130ANE-HC-23	4Y4922M03	4	4	4	4	4
22	WASHER		4H0777-01	4	4	4	4	4
23	FLANGE NUT		FNHF06S0	4	4	4	4	4
24	EXPANSION VALVE		P03545-01	1	1	1	1	1
25	COPPER TUBE (A) - LOW SIDE		380403G01	1	1	1	1	1
26	COPPER TUBE (C) - HG		266544G01	1	1	1	1	1
27	COPPER TUBE (D) - H		266543G01	1	1	1	1	1



HE, GRAM

MODEL: <b>IM-130ANE-HC</b> <b>IM-130ANE-HC-23</b>		TITLE: <b>B. REFRIGERATION ASSY</b>						
INDEX NO.	DESCRIPTION	MATERIAL OR MODEL NUMBER	PART NUMBER	REQ'D NUMBER				
				D-1 G-0	G-1	G-2 J-0	J-1	J-2
28	TIE	CV-150N,T30R	7920-0003	6	6	6	6	6
29	COPPER TUBE (A) - H		380504G01	1	1	1	1	1
30	HOT GAS VALVE		P01871-01	1	1	1	1	1
31	TEE - 6.4		417394-01	2	2	2	2	2
32	COPPER TUBE (B) - H		480180M01	1	1	1	1	1
33	COPPER TUBE (C) - H		480181M01	1	1	1	1	1
34	PRESSURE SWITCH	R134a,R22,R404A,R290	459863-08	1	1	1	1	1
35	COPPER TUBE PROCESS		480178M01	1	1	1	1	1
36	LOCKRING STOPPER		P01677-01	2	2	2	2	2
37	HEAT EXCHANGER		266536G01	1	1	1	1	1
38	COPPER TUBE (A) - COND		480183M01	1	1	1	1	1
39	TEE		456655-01	1	1	1	1	1
40	DRIER		458776-01	1	1	1	1	1
41	PUSH MOUNT TIE		457167-01	1	1	1	1	1
42	COPPER TUBE (B) - COND		480184M01	1	1	1	1	1
43	VALVE COVER		3Y3051P01	1	1	1	1	1
44	CLAMP		P00752-01	2	2	2	2	2
45	HOLDER - THERMISTOR		315479-01	1	1	1	1	1
46	S-TITE TRUSS HEAD SCREW		FTS0408M0	1	1	1	1	1
47	HOLDER - EXP. VALVE 3/8		3A0107-01	1	1	1	1	1
48	CLAMP		443461-01	1	1	1	1	1
49	INSULATION		4X8643-01	2	2	2	2	2
50	NYLON TIE	CV-200N,T50R	7920-0010	5	5	5	5	5
51	Insulation Tube		H72636A80	1	1	1	1	1
52	WIRE SADDLE		428060-02	4	4	4	4	4
53	CLAMP		P04381-01	4	4	4	4	4
54	INSULATION TUBE		H71626A80	2	2	2	2	2
55	SPONGE TAPE		123249Z01	1	1	1	1	1
56	SPONGE TAPE		123249Z02	2	2	2	2	2
57	SPONGE TAPE		123249Z03	1	1	1	1	1
58	STRAINER		P00812-01	1	1	1	1	1
59	COPPER TUBE (A) - HG		480182M01	1	1	1	1	1
60	COPPER TUBE (D) - HG		380400G01	1	1	1	1	1



