



**HOSHIZAKI
MODULAR CUBER**

**MODEL IM-240ANE
 IM-240ANE-23
 IM-240AWNE
 IM-240AWNE-21,-23**

PARTS LIST

[HE, GENERAL (60Hz)]

AUXILIARY CODE

U - 1

The auxiliary code is the first two characters in the serial number. The first character indicates the production year. Years progress or regress in alphabetical order. The series of letters and skipped letters depend on UL listing, production, and model. See the auxiliary code(s) and corresponding year(s) on the front cover.

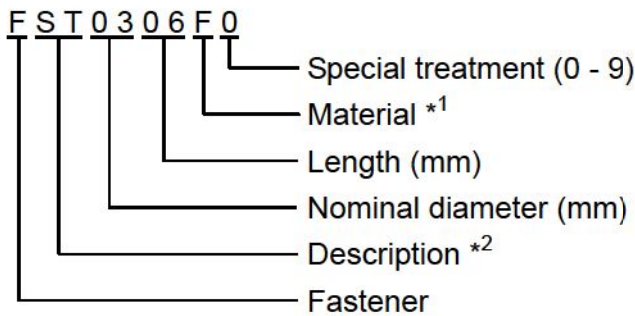
The second character indicates significant part changes within the same year. Base is "1" and this number advances for each change. If there is no significant part change at the turn of the year, this number starts from "0."

MARKS LOCATED UNDER THE AUXILIARY CODE

- = Part deleted.
- x = Part deleted and replaced by "o" part.
- o = New part in place of "x" part.

FASTENER PART NUMBER

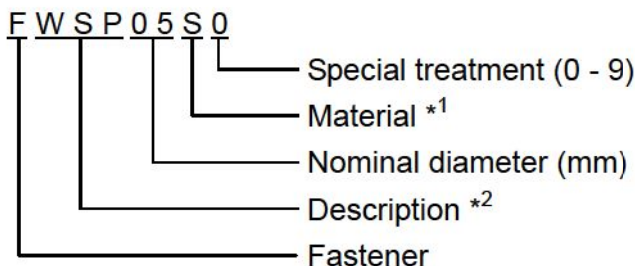
SCREWS



*¹ Material

- F: Steel
- S: Austenitic stainless steel
- M: Martensitic stainless steel
- B: Copper alloy
- P: Polycarbonate
- N: Polyamide
- V: PVC
- A: ABS
- X: Polyacetal
- L: Aluminum

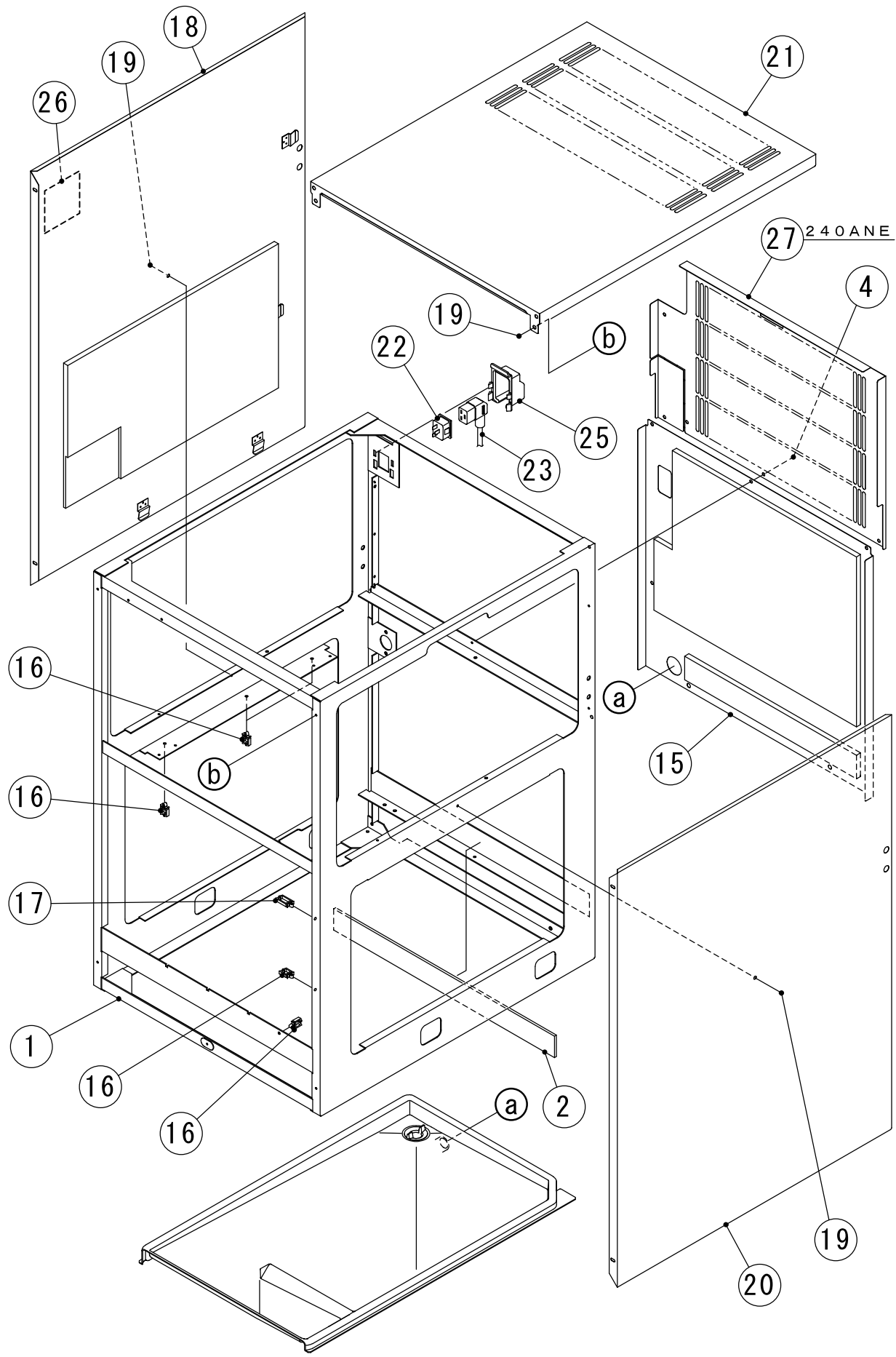
NUTS & WASHERS



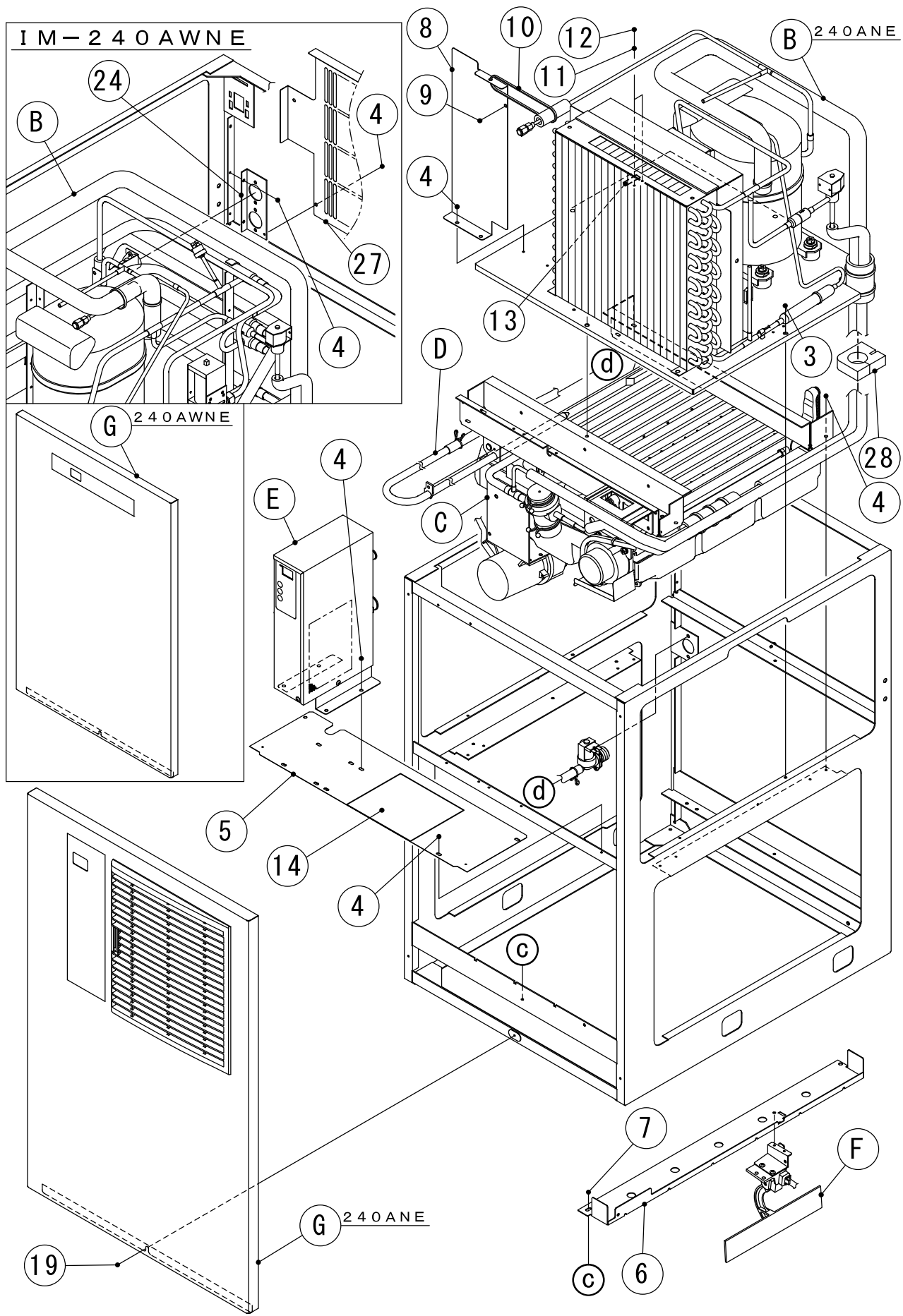
*² Description

- First letter
- S: Machine screw
- T: Tapping screw
- M: Wood screw
- B: Bolt
- W: Washer
- N: Nut

IM-240ANE
 IM-240AWNE A. ICE CUBBER ASSY (1/2) (A-1) and later



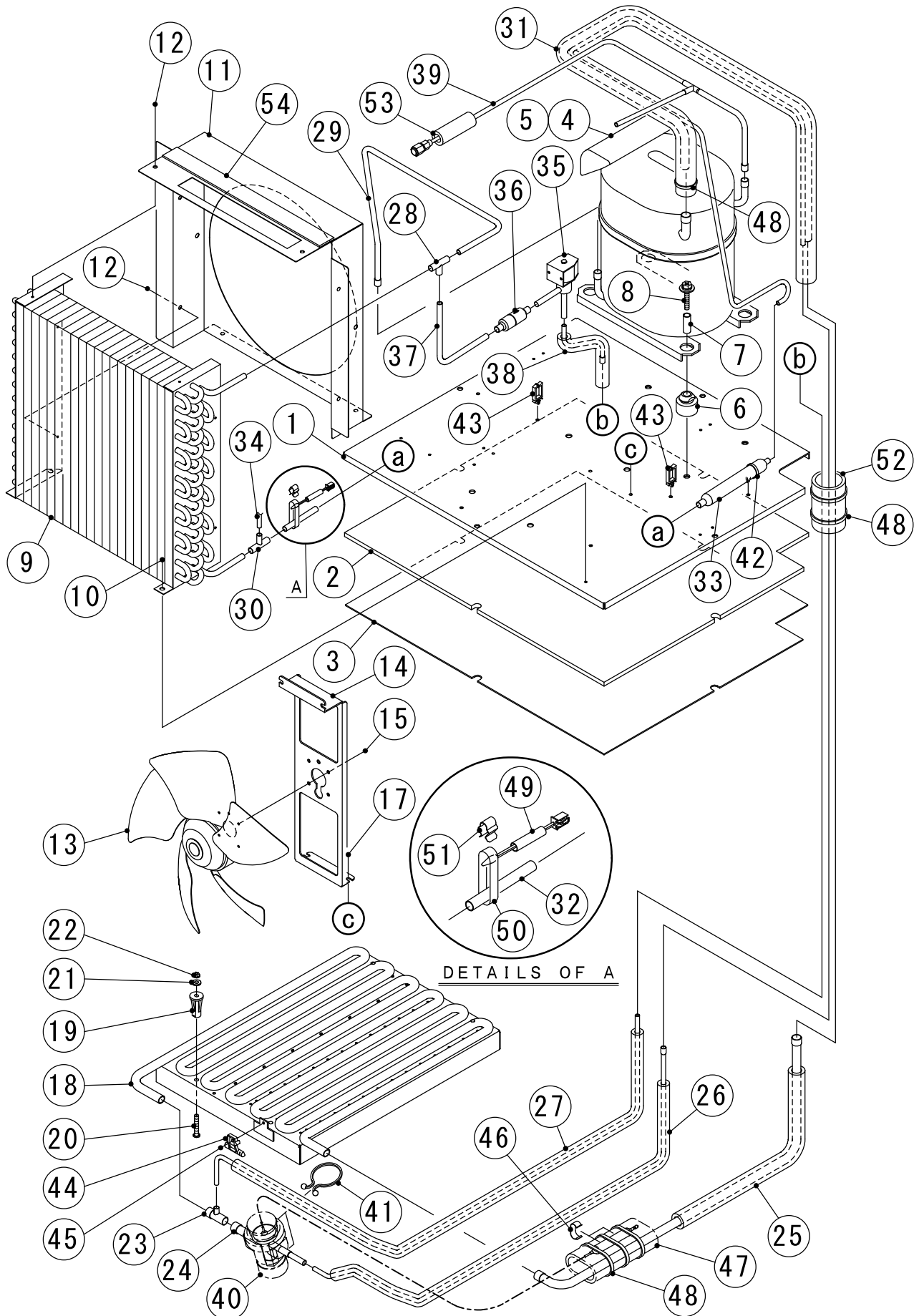
IM-240ANE
 IM-240AWNE A. ICE CUBBER ASSY (2/2) (A-1) and later

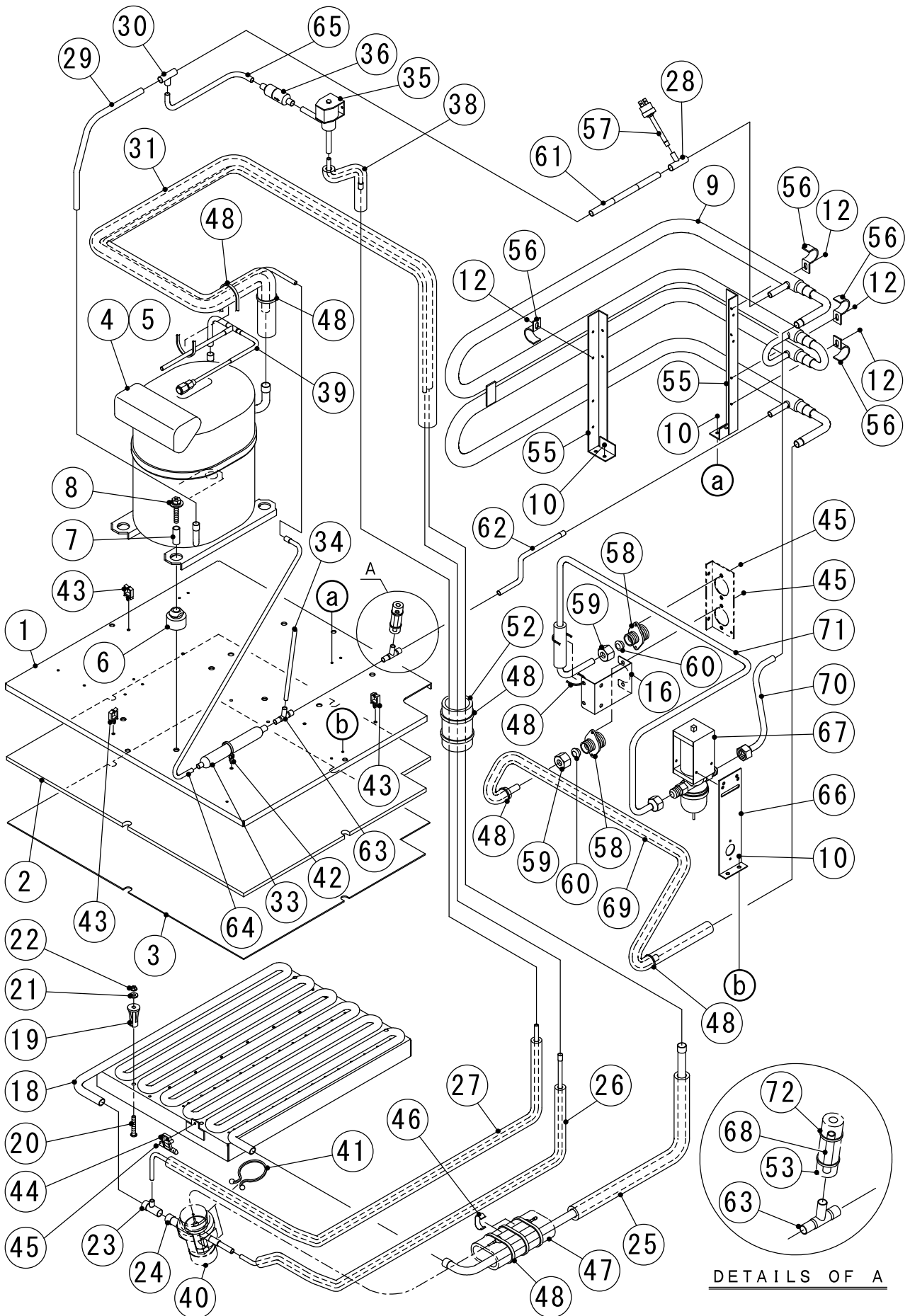


HE,GENERAL

MODEL: IM-240ANE,-23 IM-240AWNE,-23,-21		TITLE: A.ICE CUBBER ASSY					
INDEX NO.	DESCRIPTION	MATERIAL OR MODEL NUMBER	PART NUMBER	REQ'D NUMBER			
				A-1			
B	REFRIGERATION ASSY	(240ANE)	1H4741A01	1			
		(240AWNE)	1H4792A01	1			
C	MECHANISM ASSY		1H4743A01	1			
D	WATER CIRCUIT ASSY		2X0229A01	1			
E	CONTROL BOX ASSY	(240ANE)	2X0231A01	1			
		(240AWNE)	2X0353A01	1			
F	BIN SWITCH - 2 ASSY		3Y5468A01	1			
G	FRONT COVER ASSY	(240ANE)	2X0240A01	1			
		(240AWNE)	2X0358A01	1			
K	ACCESSORIES						
L	OPTIONAL PARTS						
1	UNIT FRAME		1H4740G01	1			
2	INSULATION - FRAME (A)		4Y6982P01	1			
3	HEX HEAD BOLT (SPRING WASHER AND FLAT WASHER)		FBK0620S0	4			
4	FLANGE BOLT (S-TITE)	(240ANE)	FTR0408M0	24			
		(240AWNE)		25			
5	COVER - FRAME		4Y6913G01	1			
6	FRAME - BIN SWITCH		3Y5348M01	1			
7	HEX HEAD BOLT (SPRING WASHER AND FLAT WASHER)		FBK0508S0	2			
8	PLATE - UNIT	(240ANE)	3Y5381M01	1			
9	TRUSS HEAD TAPPING SCREW T2	(240ANE)	FT20408F0	1			
10	TIE	(240ANE)	7920-0003	1			
11	SPRING WASHER		FWSP04S0	2			
12	TRUSS HEAD MACHINE SCREW		FST0408S0	2			
13	LABEL - GROUND		451712-01	1			
14	WIRING LABEL		3Y5103L01	1			
15	REAR PANEL		3Y5785G01	1			
16	WIRE SADDLE		428060-03	5			
17	WIRE SADDLE		428060-02	1			
18	SIDE PANEL (L)		3Y5419G01	1			
19	TRUSS HEAD TAPPING SCREW (S-TITE)		FTS0408M0	15			
20	SIDE PANEL (R)		2X0281G01	1			
21	TOP PANEL		2X0236M01	1			

(1/2)



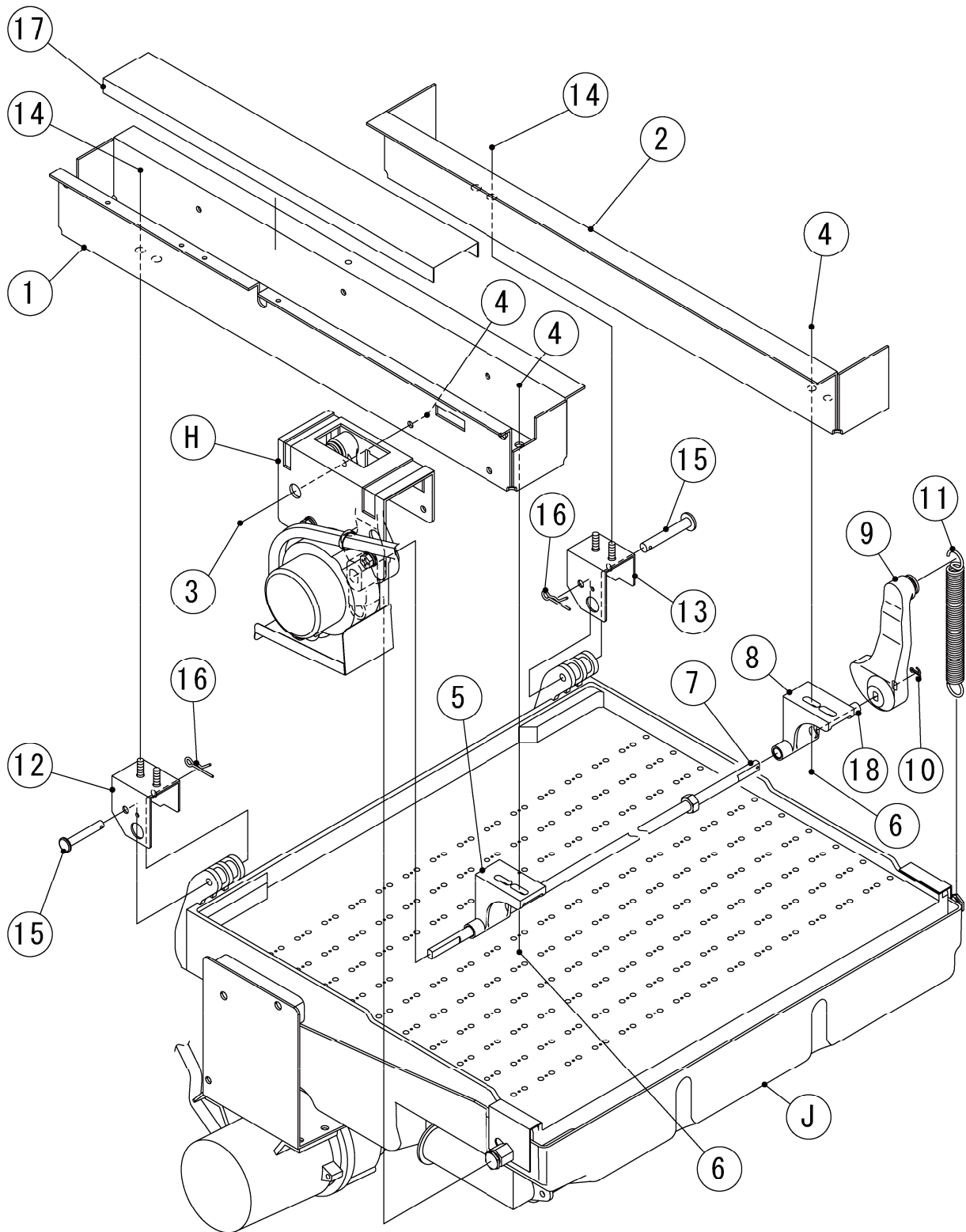


HE,GENERAL

MODEL: IM-240ANE,-23 IM-240AWNE,-23,-21		TITLE: B.REFRIGERATION ASSY					
INDEX NO.	DESCRIPTION	MATERIAL OR MODEL NUMBER	PART NUMBER	REQ'D NUMBER			
				A-1			
1	BASE	(240ANE)	3Y5351G01	1			
		(240AWNE)	3Y5530G01	1			
2	INSULATION - BASE		4Y6898P01	1			
3	PLATE - BASE		4Y0249-01	1			
4	COMPRESSOR	(50Hz)	4A1581-01	1			
		(60Hz)	4A1322-01	1			
5	MOTOR PROTECTOR	(50Hz)	4A1581F01	1			
6	GROMMET		434922-02	4			
7	SPACER		434921-01	4			
8	BOLT		436206-04	4			
9	CONDENSER - AIR COOLED	(240ANE)	P01875-01	1			
	CONDENSER - WATER COOLED	(240AWNE)	103099G01	1			
10	FLANGE BOLT (S-TITE)	(240ANE)	FTR0408M0	2			
		(240AWNE)		6			
11	SHROUD	(240ANE)	2H9947M01	1			
12	TRUSS HEAD TAPPING SCREW T2	(240ANE)	FT20408F0	6			
		(240AWNE)		4			
13	FAN MOTOR	(240ANE)	P02545-01	1			
14	BRACKET - FM	(240ANE)	3Y5075M01	1			
15	HEX HEAD BOLT (SPRING WASHER AND FLAT WASHER)	(240ANE)	FBK0408F0	5			
16	BRACKET - WATER PIPE	(240AWNE)	4Y7086M01	1			
17	HEX HEAD BOLT (SPRING WASHER AND FLAT WASHER)	(240ANE)	FBK0508F0	4			
18	EVAPORATOR		2H7526G02	1			
		(240ANE-23) (240AWNE-23)	2H1833G03				
		(240AWNE-21)	208205G04				
19	COLLAR		3H3879-01	4			
20	SCREW EVAPORATOR		4Y4922M02	4			
		(240ANE-23) (240AWNE-23) (240AWNE-21)	4Y4922M03				
21	WASHER		4H0777-01	4			
22	FLANGE NUT		FNHF06S0	4			
23	TEE		430608-02	1			
24	EXPANSION VALVE		P01874-01	1			

HE,GENERAL

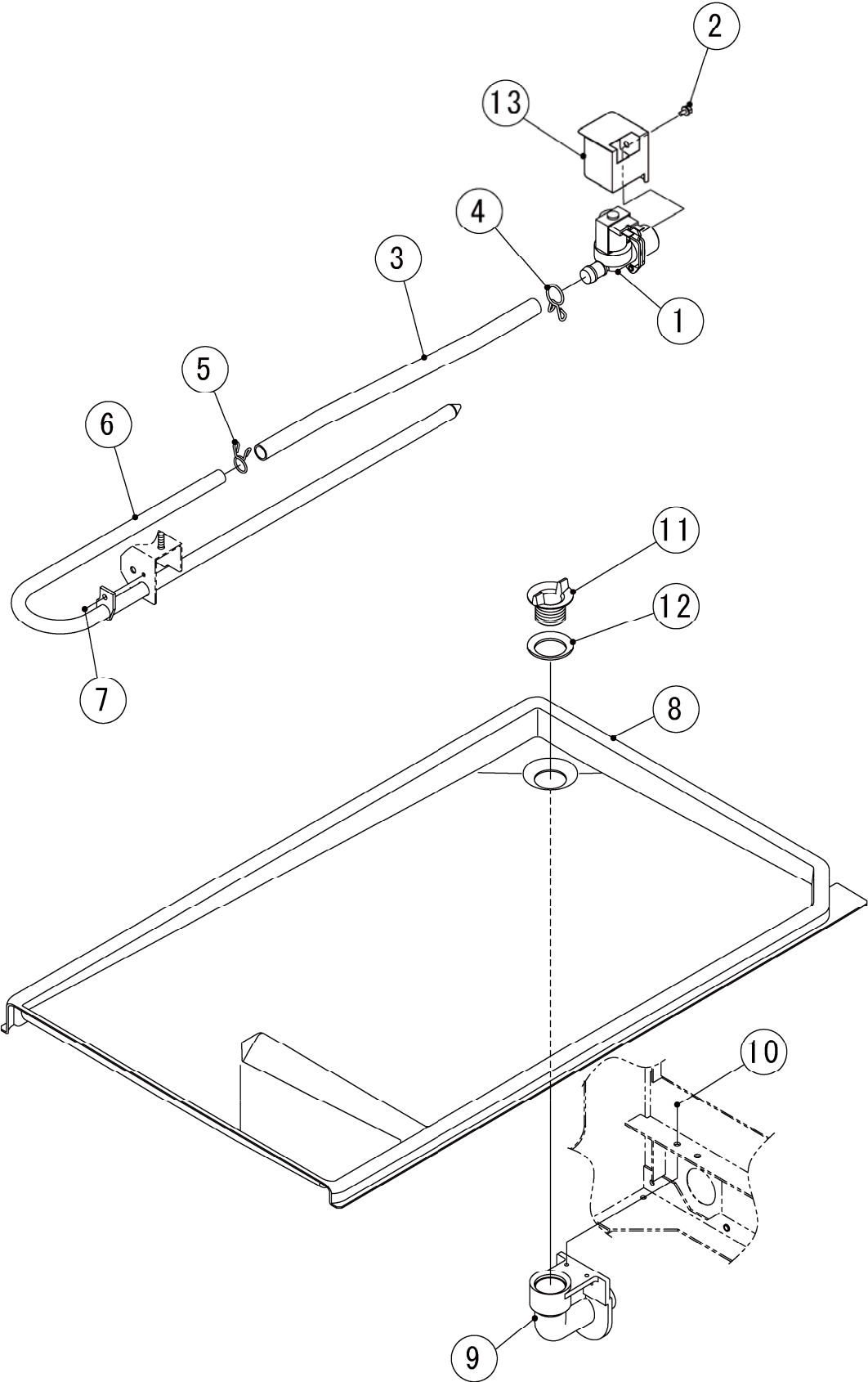
MODEL: IM-240ANE,-23 IM-240AWNE,-23,-21		TITLE: B.REFRIGERATION ASSY					
INDEX NO.	DESCRIPTION	MATERIAL OR MODEL NUMBER	PART NUMBER	REQ'D NUMBER			
				A-1			
25	COPPER TUBE (A) - LOW SIDE		3Y5353G01	1			
26	COPPER TUBE (E) - HIGH SIDE		3Y5354G01	1			
27	COPPER TUBE (D) - HOT GAS		3Y5355G01	1			
28	TEE	(240ANE)	420041-11	1			
		(240AWNE)	420041-05	1			
29	PIPE(A) - HIGH SIDE	(240ANE)	4Y6894M01	1			
	PIPE(A-1) - HIGH SIDE	(240AWNE)	3Y5531M01	1			
30	TEE	(240ANE)	420041-02	1			
		(240AWNE)	420041-09	1			
31	HEAT EXCHANGER	(240ANE)	2X0222G01	1			
		(240AWNE)	2X0352G01	1			
32	PIPE(F) - HIGH SIDE	(240ANE)	4Y6750M01	1			
33	DRIER		458776-01	1			
34	PROCESS TUBE		4Y0273-01	1			
35	HOT GAS VALVE		P01871-01	1			
36	STRAINER		P00812-01	1			
37	PIPE(A) - HOT GAS	(240ANE)	4Y6895M01	1			
38	PIPE(B) - HOT GAS		4Y7012G01	1			
39	COPPER TUBE(G) - PROCESS	(240ANE)	3Y5356G01	1			
		(240AWNE)	3Y5534G01	1			
40	VALVE COVER		3Y3051P01	1			
41	CLAMP		P00752-01	2			
42	PUSH MOUNT TIE		436156-01	1			
43	WIRE SADDLE	(240ANE)	428060-02	2			
		(240AWNE)	428060-03	3			
44	HOLDER - THERMISTOR		3H9642-01	1			
45	TRUSS HEAD TAPPING SCREW (S-TITE)	(240ANE)	FTS0408M0	1			
		(240AWNE)		5			
46	CLIP		452254-02	2			
47	INSULATION		4X8643-01	1			
48	TIE	(240ANE)	7920-0003	6			
		(240AWNE)		10			
49	THERMISTOR(G) - FILTER	(240ANE)	4Y4859G01	1			
50	ALMINUM TAPE	(240ANE)	1H4741-01	1			
51	CLIP - THERMISTOR	(240ANE)	4R2938-01	1			
52	INSULATION TUBE		H72636A80	1			

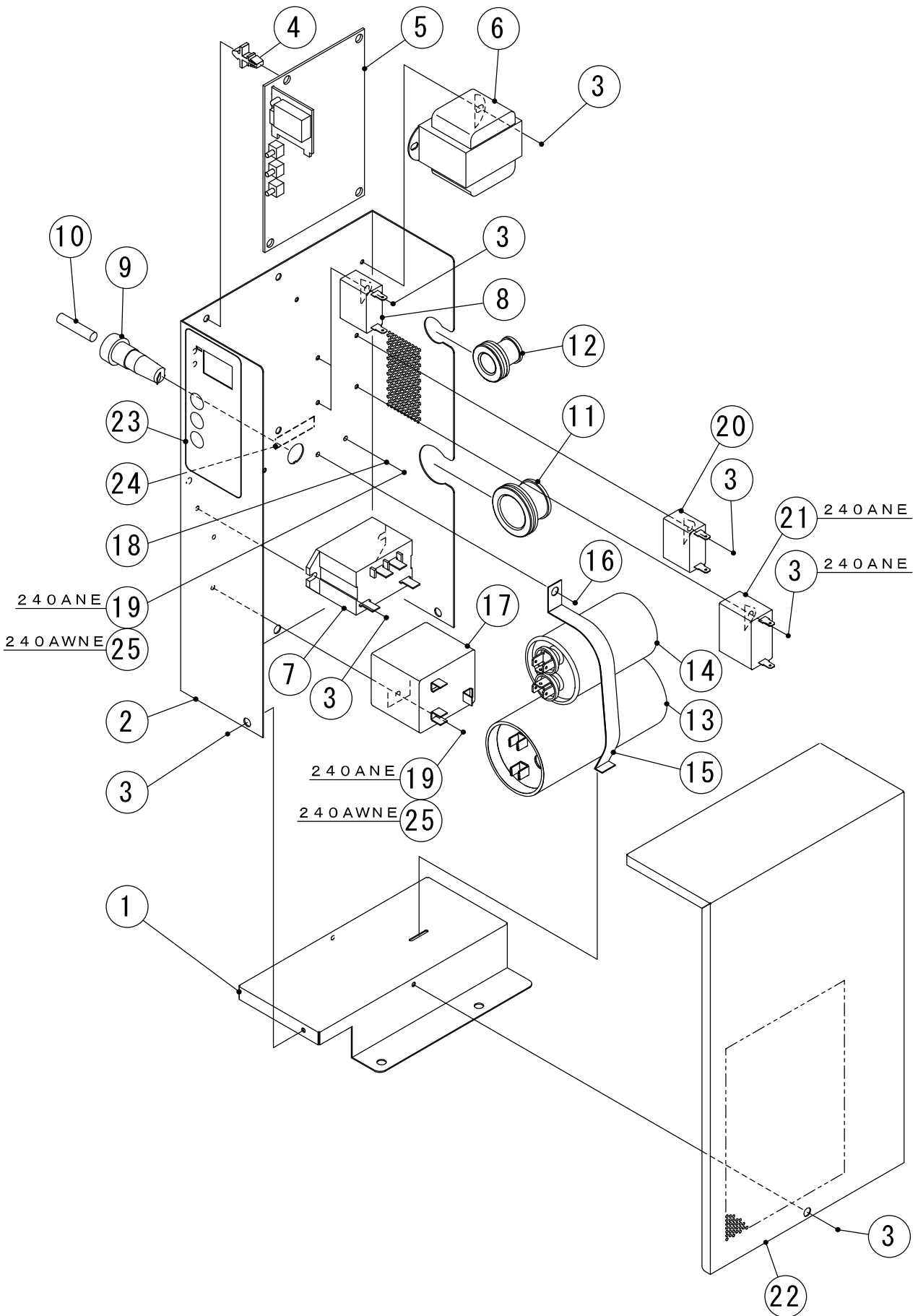


IM-240ANE
IM-240AWNE

D. WATER CIRCUIT ASSY

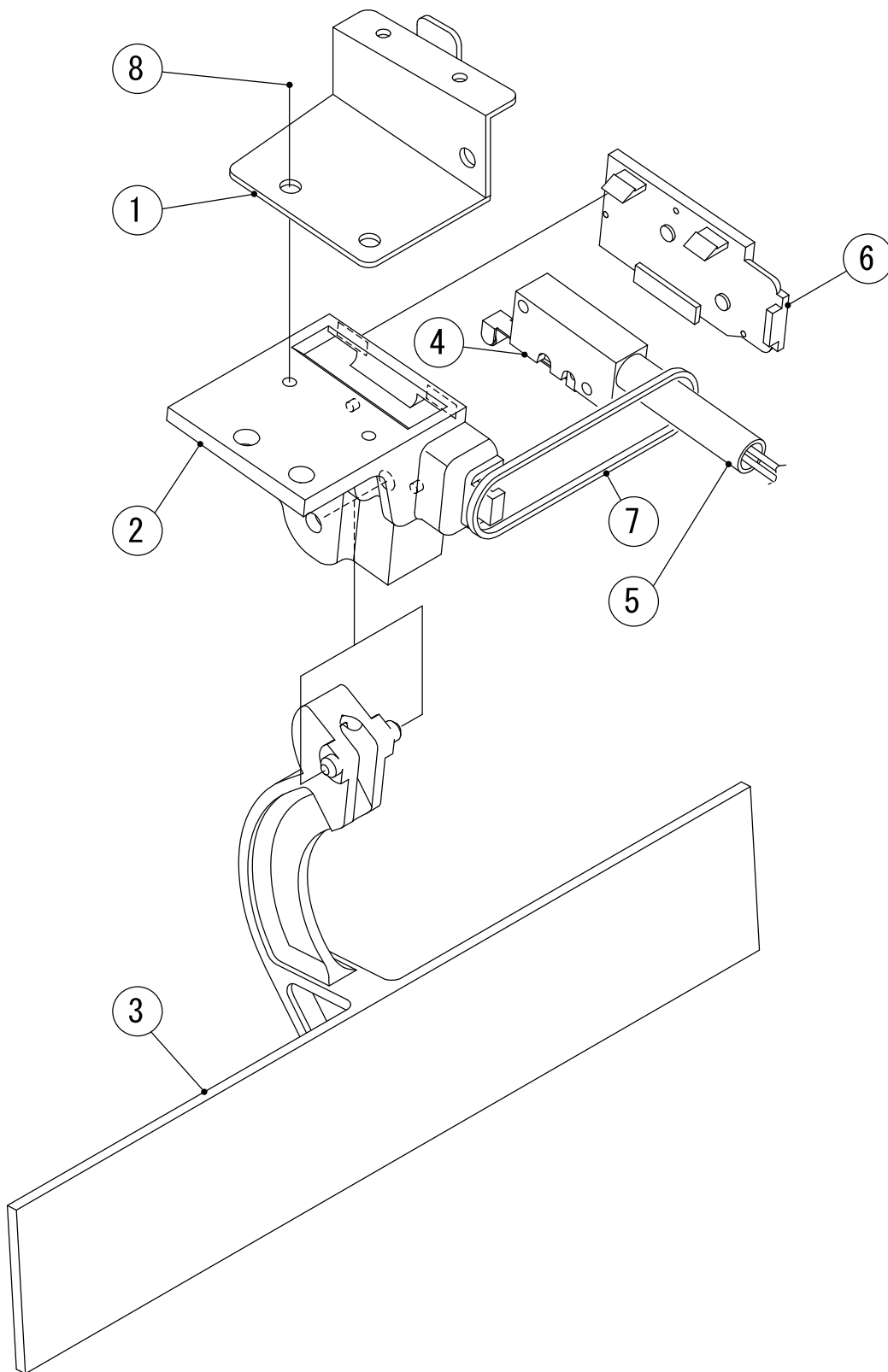
(A-1) and later



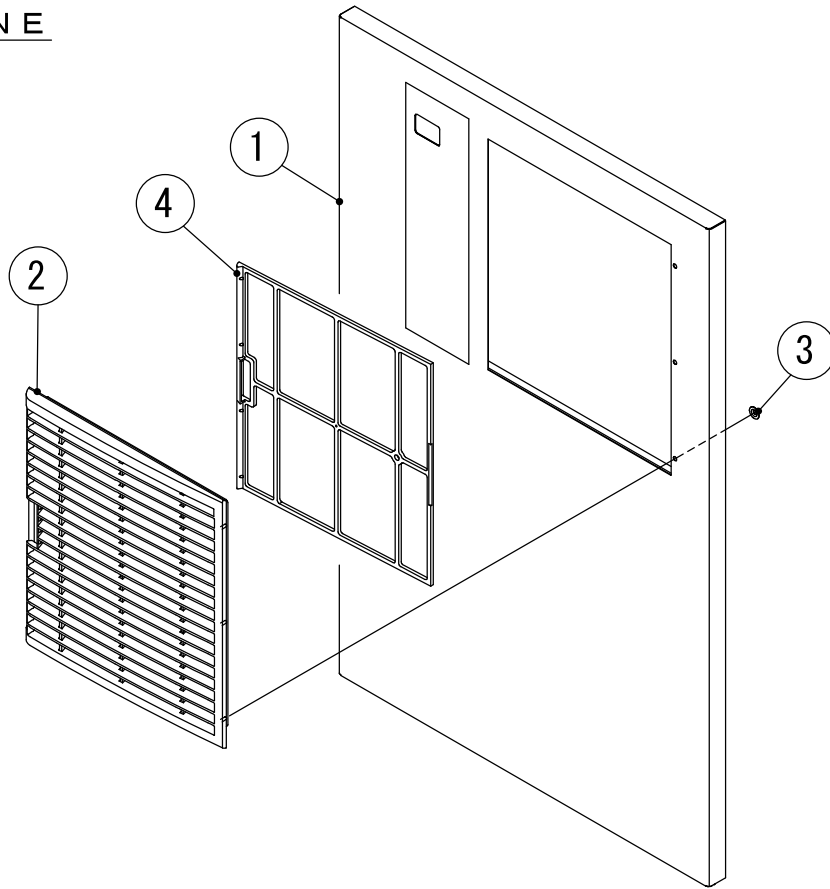


HE,GENERAL

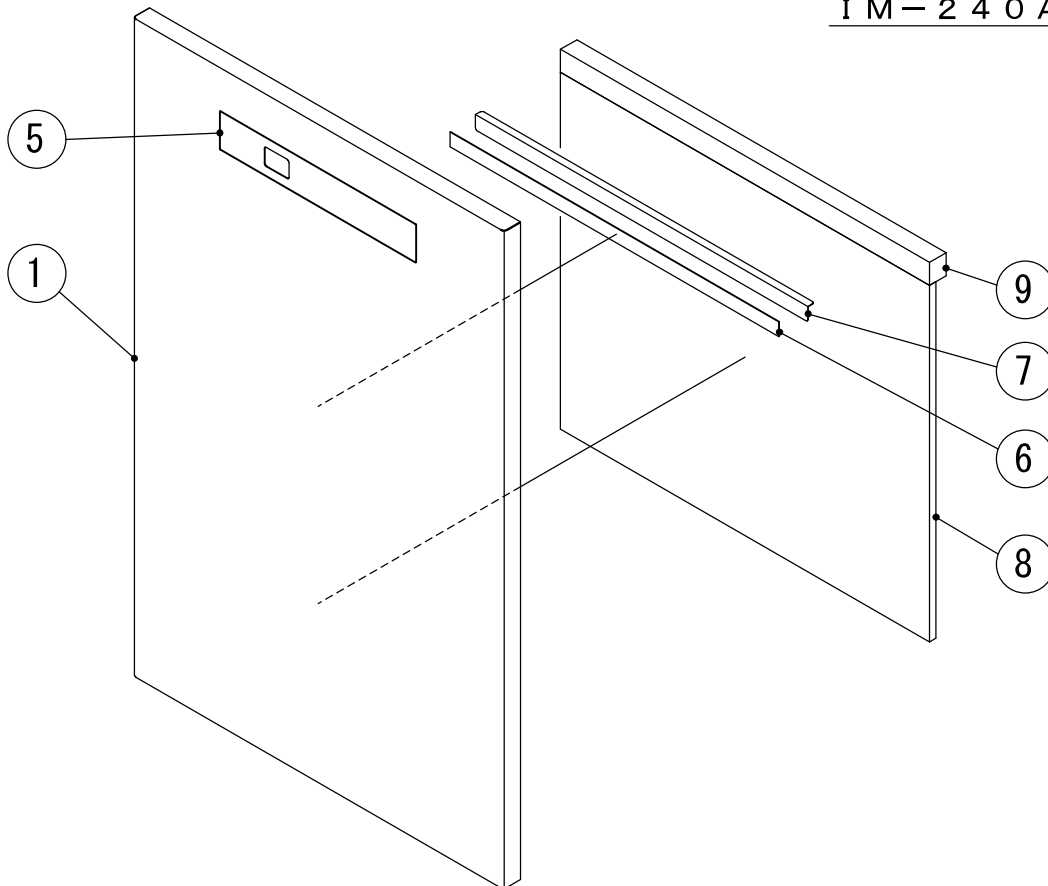
MODEL: IM-240ANE,-23 IM-240AWNE,-23,-21		TITLE: E.CONTROL BOX ASSY					
INDEX NO.	DESCRIPTION	MATERIAL OR MODEL NUMBER	PART NUMBER	REQ'D NUMBER			
				A-1			
1	CONTROLBOX - BASE		3Y5369M01	1			
2	CONTROL BOX - BODY		2X0230M01	1			
3	TRUSS HEAD TAPPING SCREW T2	(240ANE)	FT20408F0	12			
		(240AWNE)		11			
4	BOARD SUPPORT		414929-02	4			
5	CONTROLLER BOARD		P01873-01	1			
6	TRANSFORMER		P00012-01	1			
7	POWER RELAY		P00034-01	1			
8	CAPACITOR		P01870-01	2			
9	FUSE HOLDER		P00014-01	1			
10	FUSE		P01876-01	1			
11	GROMMET		4H2568-01	1			
12	GROMMET		4H2568-02	1			
13	START CAPACITOR	(50Hz) 3535B7C0064A250A5	3A0076-14	1			
	CAPACITOR - STARTING	(60Hz)	3A0076-02	1			
14	CAPACITOR - RUN	(50Hz)	3A2005-01	1			
		(60Hz)	3A2005-10	1			
15	BAND	(50Hz)	427254-01	1			
		(60Hz)	427254-13				
16	FLANGE BOLT (S-TITE)		FTR0408M0	1			
17	STARTER	(50Hz)	4A1107-02	1			
		(60Hz)	4A1107-13	1			
18	SPRING WASHER		FWSP04S0	1			
19	TRUSS HEAD TAPPING SCREW	(240ANE)	FTS0408M0	2			
	(S-TITE)						
20	CAPACITOR		P01910-01	1			
21	CAPACITOR	(240ANE)	P01865-01	1			
22	CONTROL BOX - COVER		3Y5371M01	1			
23	CONTROL LABEL		475642L01	1			
24	LABEL - FUSE		466798-01	1			
25	TRUSS HEAD MACHINE SCREW	(240AWNE)	FST0408S0	2			

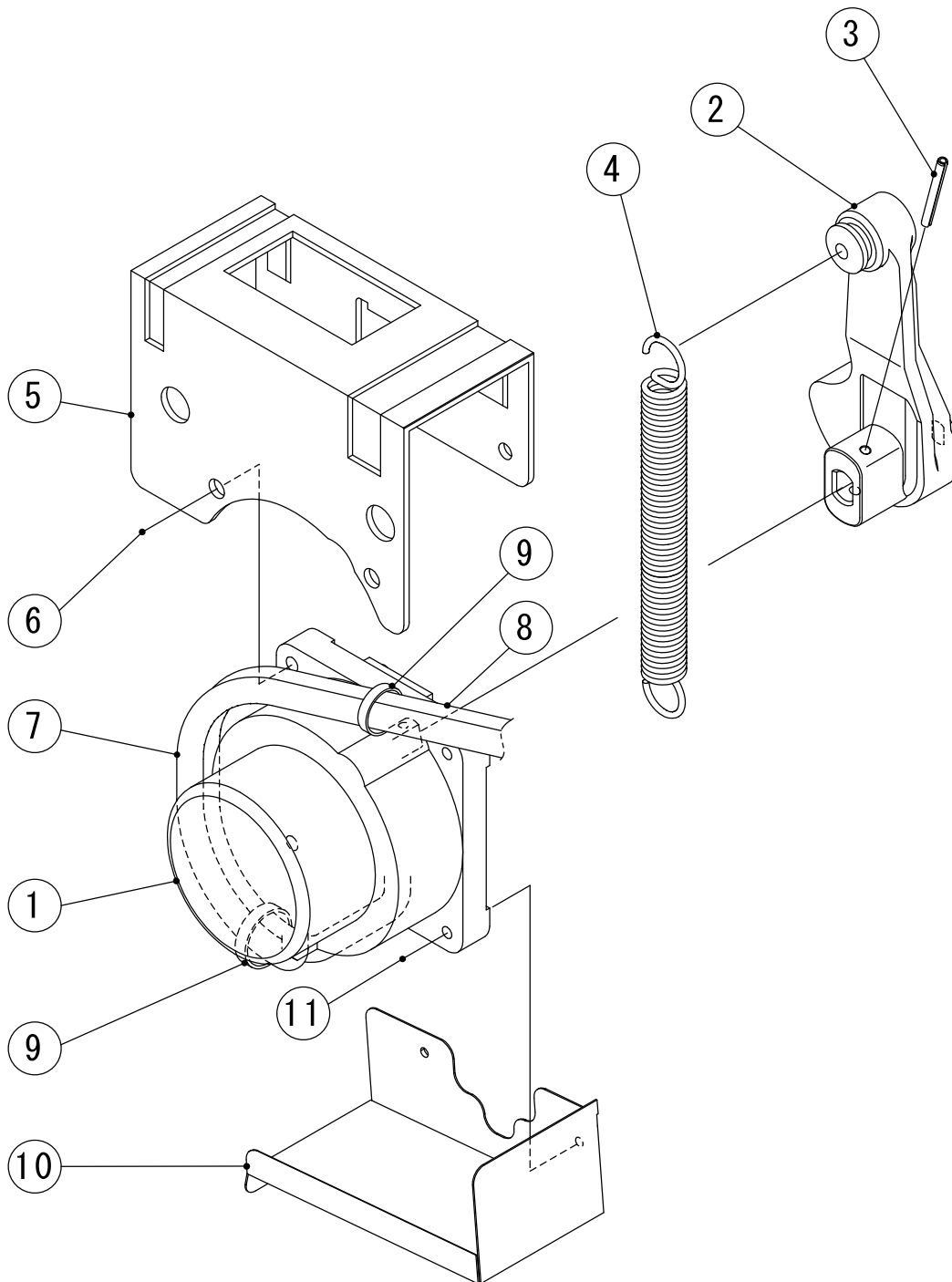


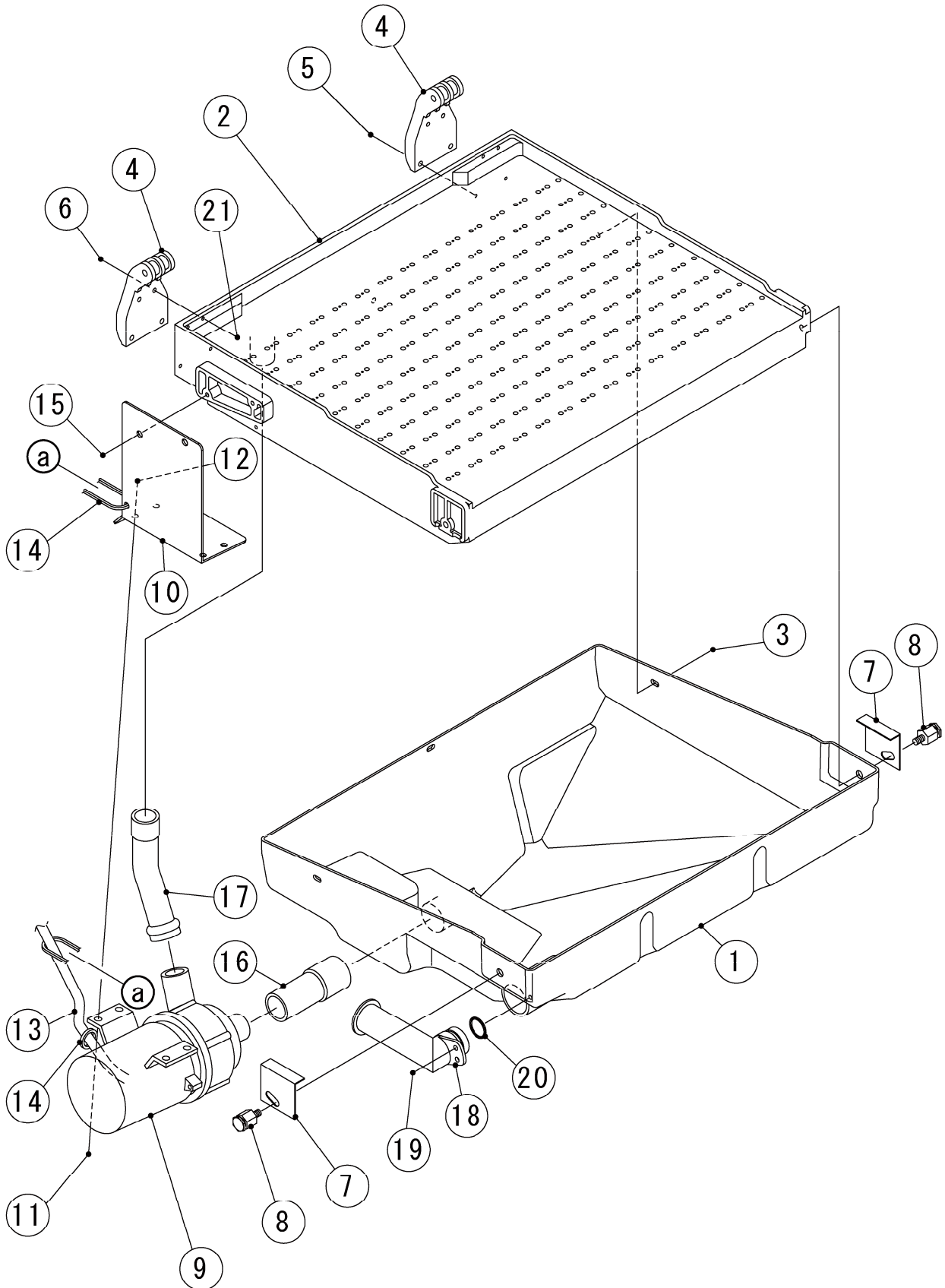
IM-240ANE



IM-240AWNE

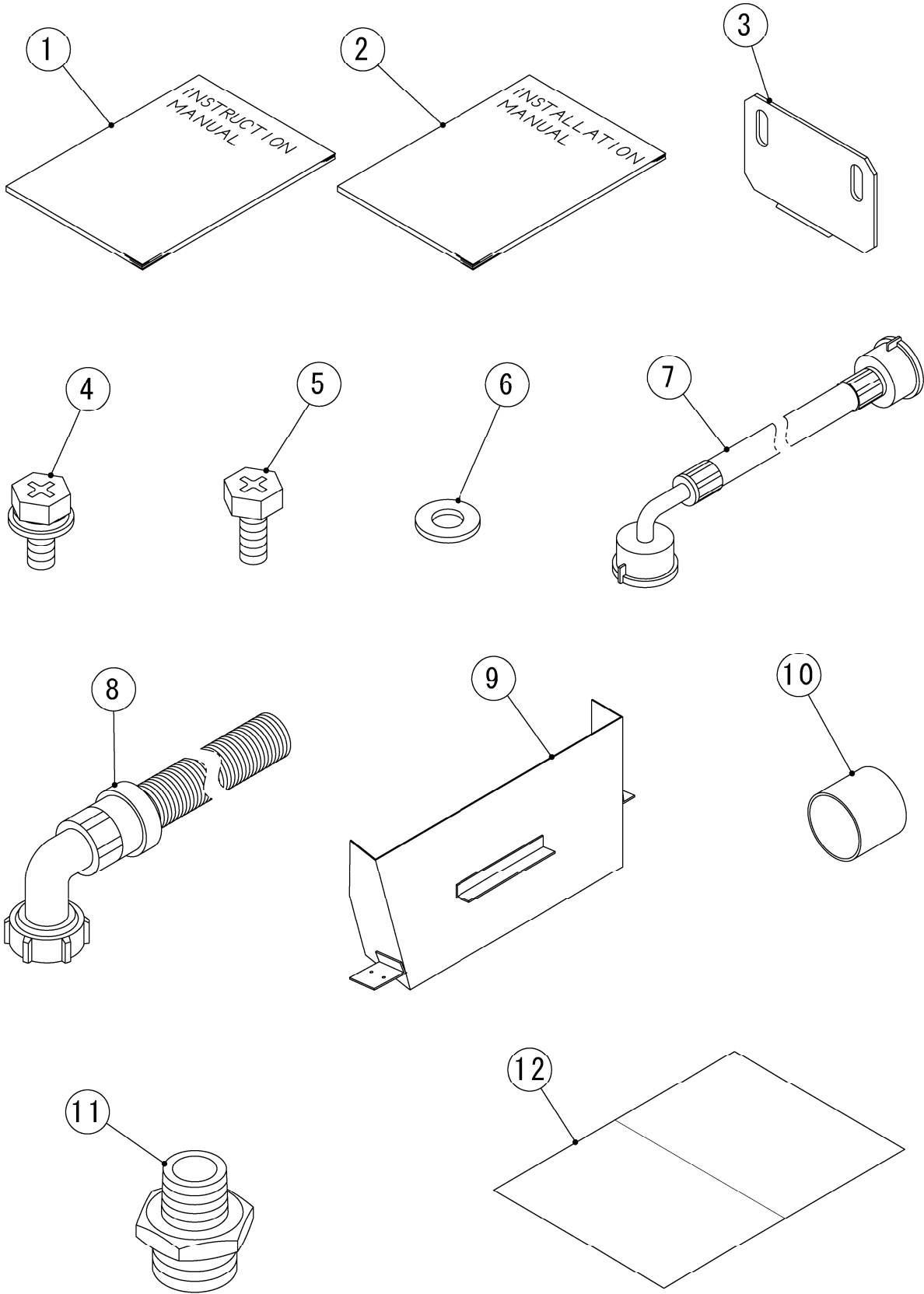






HE,GENERAL

MODEL: IM-240ANE,-23 IM-240AWNE,-23,-21		TITLE: J.WATER PAN ASSY					
INDEX NO.	DESCRIPTION	MATERIAL OR MODEL NUMBER	PART NUMBER	REQ'D NUMBER			
				A-1			
1	WATER PAN		1H0888-02	1			
2	WATER PLATE		208020G01	1			
		(240AWNE-21)	208484G01	1			
3	TRUSS HEAD TAPPING SCREW T2		FT20406M0	3			
	TRUSS HEAD MACHINE SCREW	(240AWNE-21)	FST0408S0	3			
4	WATER PAN HANGER		3H2059-01	2			
5	TRUSS HEAD TAPPING SCREW T2		FT20416M0	4			
	TRUSS HEAD MACHINE SCREW	(240AWNE-21)	FST0420S0	4			
6	TRUSS HEAD TAPPING SCREW T2		FT20425M0	4			
	TRUSS HEAD MACHINE SCREW	(240AWNE-21)	FST0425S0	4			
7	BRACKET		402957-01	2			
8	SCREW SPRING HOOK		4H2582G01	2			
9	PUMP MOTOR		P01868-01	1			
10	BRACKET - PUMP		4Y6617M01	1			
11	HEX HEAD BOLT (SPRING WASHER AND FLAT WASHER)		FBK0412S0	4			
12	FLANGE NUT		FNHF04S0	4			
13	TUBE - SILICONE		4Y7388Z01	1			
14	NYLON TIE	CV-100	7920-0002	2			
15	TRUSS HEAD TAPPING SCREW T2		FT20516M0	2			
	TRUSS HEAD MACHINE SCREW	(240AWNE-21)	FST0516S0	2			
16	SUCTION TUBE		4Y6641R01	1			
17	DISCHARGE TUBE		4Y6642R01	1			
18	PIPE - DRAIN		315530-01	1			
19	TRUSS HEAD MACHINE SCREW		FST0410S0	1			
20	O-RING		7611-G025	1			
21	NUT	(240AWNE-21)	FNH104S0	4			



IM-240ANE
IM-240AWNE

L. OPTIONAL PARTS

(A-1) and later

