

**ABBATTITORI GASTRONOMIA  
POSITIVI**

**GASTRONOM BLAST CHILLERS**

**GASTRONOMIE  
SCHNELLABKÜHLER**

**CELLULES DE REFROIDISSEMENT  
RAPIDE POUR GASTRONOMIE**

**DP112S**





**ESPLOSI - EXPLODED DRAWINGS**  
**EXPLOSIONZEICHNUNGEN - VUE ECLATEE**

**Codice** XESH6X02

**Pagina** 2

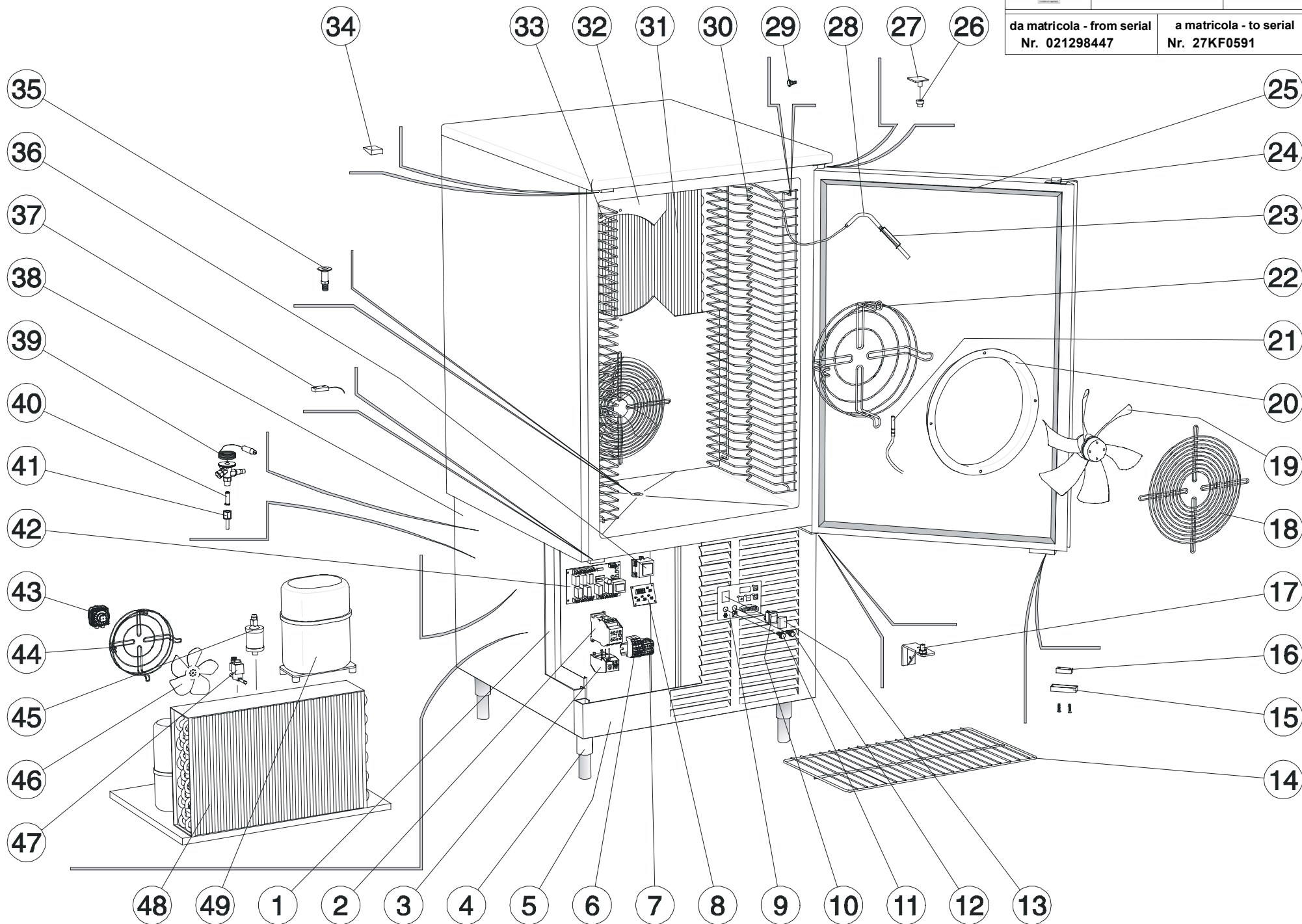
**Verifica:** Ufficio tecnico Fontanive

**Emissione:** Ufficio tecnico Fontanive

**Approvazione:** Direzione tecnica Zambon

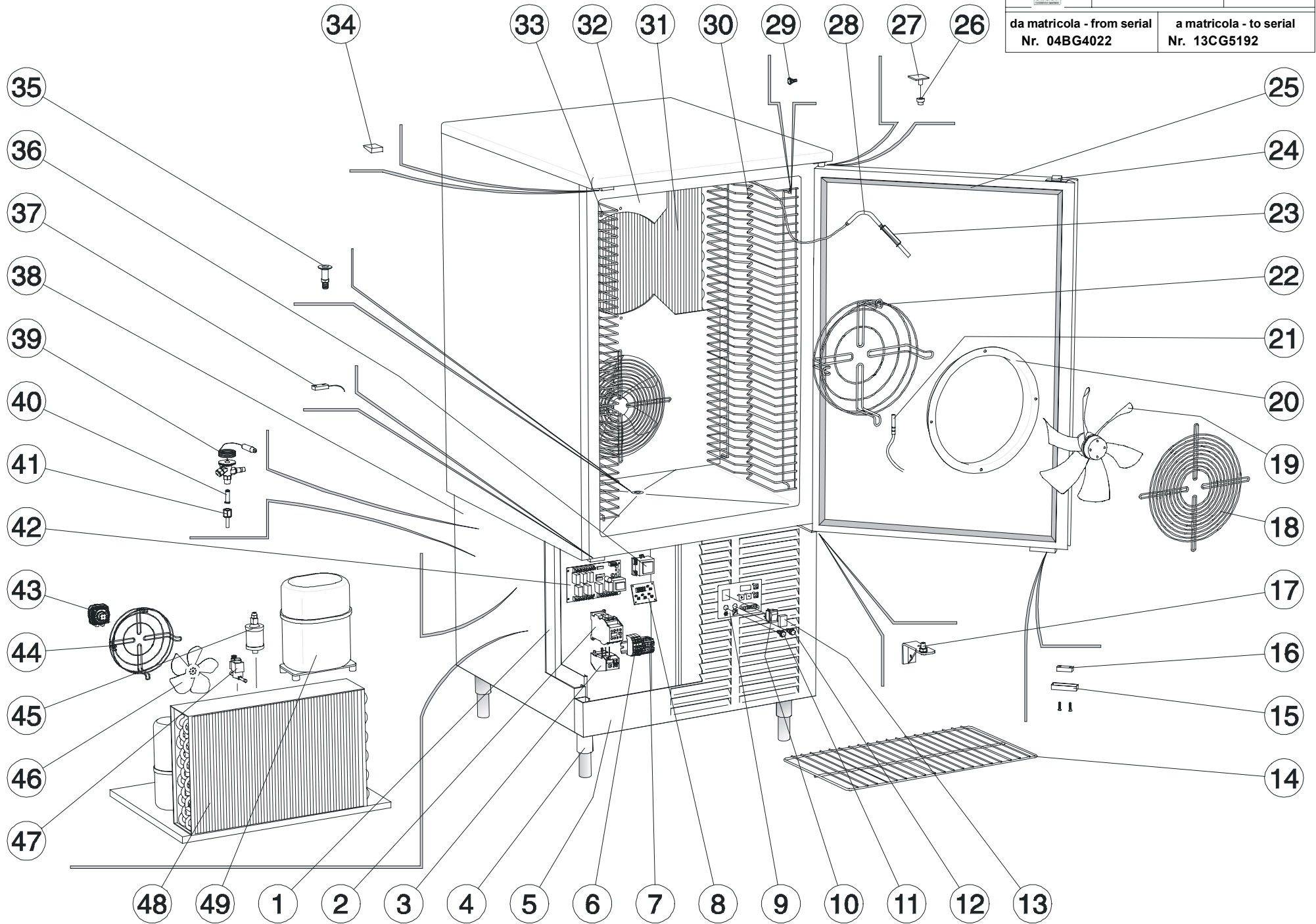
**Copia controllata nr.** \_\_\_\_\_

**Copia non controllata**



	COD.	REV.	DESCRIZIONE	DESCRIPTION	BESCHREIBUNG	DESCRIPTION
1	RG860008		SCHIENA VANO MOTORE 112	BACK PANEL F. ENGINE COMPART. 112	RÜCK FÜR MOTORRAUM 112	DOS POUR COMPARTIM. MOTEUR 112
2	RA890004	C	RELE' FINDER 62. 82. 82300308	FINDER RELAY 62. 82. 82300308	RELAIS FINDER 62.82.82300308	RALAIS FINDER 62.82.82300308
3			NON INSTALLATO	NOT INSTALLED	NICHT INSTALLIERT	PAS MONTE
4	RA191002		PIEDINO ACCIAIO INOX 11/4x120"	STAINLESS STEEL FOOT 11/4x120"	EDELSTAHL FUSS 11/4x120"	PIED EN ACIER INOX 11/4x120"
5	RF360007		ASS.CRUSCOTTO 112 2T	FRONT PANEL FOR MOD. 112 2T	VORDERPANEEL FÜR MOD. 112 2T	PANNEAU FRONTAL POUR MOD.112 2T
6	RA850001		PORTAFUSIBILE BARRA DIN	FUSE CARRIER FOR DIN-BAR	SICHERUNGSKOERPER FÜR DIN-STANGE	CORPS FUSIBLE P/BARRE DIN
7	RA850004		MORSETTIERA LX1 (TIPO 3)	TERMINAL BOARD LX1 (TYPE 3)	KLEMMKASTEN LX1 (TYP 3)	BORNE LX1 (TYPE 3)
8	RA910066	C	SCHEDA TASTIERA RID.AL001HA010	CARD FOR REDUCED KEYBOARD AL001HA010	PLATINE F. REDUZIERTER TASTATUR AL001HA010	FICHE CLAVIER P/ PLATINE RED. AL001HA010
9	RA130017		MASCH.TAST. 2 TASTI POS. H"	POSITIVE KEYBOARD PLATE - 2 KEYS "H"	POSITIVE TASTATURFOLIE - 2 TASTEN "H"	MASQUE PLATINE POSITIVE-2 TOUCHES "H"
10	RA941003	C	INTERRUTTORE BIP.16A FAST 4671	BIPOLAR SWITCH 16A FAST 4671	ZWEIPOLIGER SCHALTER 16A FAST 4671	INTERRUPTEUR BIPOLE 16A FAST 4671
11	RA941005	C	PULSANTE COMANDO	CONTROL BUTTON	KNOPF	BOUTON COMMANDE.
12			NON INSTALLATO	NOT INSTALLED	NICHT INSTALLIERT	PAS MONTE
13	RA941001		CAPPUCCIO PER INTERR./DEV.BIP.	CAP FOR SWITCH	KAPPE FUER SCHALTER	CAPUCHON P/INTERRUPTEUR
14	RA170009		GRIGLIA PASTICCERIA 600X400 AISI304	PASTRY GRID 600X400 AISI304	KONDITOREIROST 600X400 AISI304	GRILLE PATISSERIE 600X400 AISI304
15	RG830009		SCATOLA MAGNETE	MAGNETO BOX	MAGNET-KASTEN	BOITE MAGNETO
16	RA840005		UNITA' MAGNETICA	MAGNETIC UNIT	MAGNETEINHEIT	UNITE MAGNETIQUE
17	RF200004		ASS. CERNERA INF. PORTA 112	LOWER HINGE FOR DOOR 112	UNTERES SCHARNIER FÜR TÜR 112	CHARNIERE INFERIEURE P/PORTE 112
18	RA170017		GRIGLIA PROT.VENT.300 V"INOX"	PROTECTION GRID FOR FAN 300	SCHUTZGITTER FÜR VENTILATOR 300	GRILLE PROTECTION VENTILATEUR 300
19	RA880009	C	MOTOVENT. A4E300-AA01-48 (112)	FAN A4E300-AA01-48 (112)	VENTILATOR A4E300-AA01-48 (112)	VENTILATEUR . A4E300-AA01-48 (112)
20	RA110011		BOCCAGLIO VENT. 300 AL.	FAN CONVEYOR 300 AL.	VENTILATOR-KONVEYOR 300 AL.	EMBOUT VENTILATEUR 300 AL.
21	RA930008	C	SONDA PTC L.2500 SILICONE	PROBE PTC L.2500	FÜHLER PTC L. 2500	SONDE PTC L.2500
22	RA170023		GRIGLIA SOST.V.300 4P V"INOX"	SUPPORT GRID FOR FAN 300 4P	GITTERHALTER FÜR VENTILATEUR 300 4P	SUPPORT GRILLE VENTILATEUR 300 4P
23	RA570003		ASS. PORTASONDE SPILLONE	PROBE SUPPORT FOR PRICKER PROBE	FUEHLERHALTER FUER NADEL FUEHLER	PORTE-SONDE P/AGUILLE
24	RZ960029		KIT SCROCCHETTO	CATCH KIT	SCHNAPPER KIT	KIT ENCLenchement
25	RA190037		GUARNIZIONE DI TENUTA	SEAL	DICHTUNG	GARNITURE
26	RA050001		BOCCOLA CERNIERA SUPER.PORTA	BUSH FOR UPPER DOOR HINGE	BUCHSE F. OBERSCHARNIER DER TUER	DOUILLE P/CHARNIERE SUP.PORTE
27	RF200005		ASS. CERNIERA SUP. PORTA	UPPER HINGE FOR DOOR	OBERES SCHARNIER FUER TUER	CHARNIERE SUPERIEURE PORTE
28	RA930004	C	SONDA INF.PTC 3X100 3MT SILIC.	CORE PROBE 3X100 3M	KERNFUEHLER 3X100 3M	SONDE AU COEUR 3X100 3M
29	RA470005		PERNO SUPPORTO PARATIA F4 2/3	PIN FOR TRAY SUPPORT	BOLZEN FUER SCHALEHALTER	PIVOT P/PORTE-PLAQUES
30	RA175010		ASS. PARATIA 112 GASTR.	SUPPORT FOR GN TRAY FOR MOD. 112	GN SCHALENHALTER FÜR MOD. 112	CLOISON PORTE-PLAQUES POUR MOD. 112
31	RA140003		EVAPORATORE 2R32T X ABB.112	EVAPORATOR 2R32T FOR MOD. 112	VERDÄMPFER 2R32T FÜR MOD. 112	EVAPORATEUR 2R32T POUR MOD. 2R32T
32	RG310006		CONVOGLIATORE 112	FAN COVERING 112	VENTILATORABDECKUNG 112	COUVRE VENTILATEUR 112
33	RA175010		ASS. PARATIA 112 GASTR.	SUPPORT FOR GN TRAY FOR MOD. 112	GN SCHALENHALTER FÜR MOD. 112	CLOISON PORTE-PLAQUES POUR MOD. 112
34	RA494001		AGGANCIAMENTO SCROCCHETTO	CATCH SEAT	AUFNAHME ÜER SCHNAPPER	ARRET D'ENCLenchement
35	RA651000		PILETTA SCARICO COMPL.3/4 L=30	DRAIN STRAINER 3/4 L= 30	BECKENAUSLAUF 3/4 L=30	CREPINE VIDANGE 3/4 L=30
36			NON INSTALLATO	NOT INSTALLED	NICHT INSTALLIERT	PAS MONTE
37	RA840004		SENSORE MAGNETICO	MAGNETIC SENSOR	MAGNETSENSOR	CAPTEUR MAGNETIQUE
38	RG370004		FIANCO VANO MOTORE 112	SIDE PANEL F. ENGINE COMPARTMENT 112	SEITENWAND FÜR MOTORRAUM 112	COTE COMPARTIMENT MOTEUR 112
39	RA715017		CORPO VALVOLA TES2 R404A ODF	VALVE BODY TES2 R404A ODF	VENTILKOERPER TES2 R404A ODF	CORPS SOUPAPE TES2 R404A ODF
40	RA716019		ORIFICIO N° 03 C/FILTRO ODF	ORIFICE N°03 WITH FILTER ODF	ÖFFNUNG N° 03 MIT FILTER ODF	ORIFICE N° 03 AVEC FILTER ODF
41	RA716502		ADATTATORE A BRASARE X T-TE D.10	ADAPTER FOR T-TE D.10	ADAPTER FUER T-TE D.10	ADAPTEUR POUR T-TE D.10

42	RA910059		C	SCHEDA BASE 5 RELE'	MASTER CARD - 5 RELAYS	HAUPTPLATINE - 5 RELAIS	FICHE BASE - 5 RELAIS
43	RA880035		C	MOTOVENTILATORE EBM AE350-AP06-01	MOTOR FOR FAN EBM AE350-AP06-01	MOTOR F. VENTILATEUR EBM AE350-AP06-01	MOTEUR VENTILATEUR EBM AE350-AP06-01
44	RA170005			GRIGLIA G035000-00-01 EBM	GRID G035000-00-01 EBM	GITTER G035000-00-01 EBM	GRILLE G035000-00-01 EBM
45	RA012009			FILTRO DEIDR. CASTEL 4308/3S	DEHYDRATION FILTER 4308/3S	WASSERENTZIEHUNG-FILTER 4308/3S	FILTRE DEHYDRATATION 4308/3S
46				INCLUSO IN PARTICOLARE 43	INCLUDED IN POS. 43	IM POS. 43 ENTHÄLT	INCLUS A LA POS. 44
47	RA714014			VALV. SOL.Ø10 SALD.CASTEL 1068/M10S	CASTEL SOLENOIDE VALVE □10 1068/M10S	CASTEL SOLENOID-VENTIL □10 1068/M10S	SOUPAPE SOLENOIDE CASTEL □10 1068/M10S
47	RA714016		C	BOBINA 220-50/60 PER VAL.SOL.CASTEL	COIL 220-50/60 FOR SOLENOIDE VALVE	SPUL 220-50/60 FÜR SOLENOID-VENTIL	BOBINE 220-50/60 P/SOUPAPE SOLENOIDE
47	RA714017			CONNETTORE PG11 X VALV. SOL. CASTEL	CONNECTOR PG11 F. SOLENOIDE VALVE	VERBINDER PG11 FÜR SOLENOID-VENTIL	CONNECTEUR PG11 P. SOUPAPE SOLENOIDE
48	RA090015			CONDEN. 2522-16T-5R-380-SP3.5-5AL	CONDENSER 2522-16T-5R-380-SP3.5-5AL	KONDENSER 2522-16T-5R-380-SP3.5-5AL	CONDENSATEUR 2522-16T-5R-380-SP3.5-5AL
49	RA070004		C	COMPRESSORE ASPERA J9226GK R404A	COMPRESSOR ASPERA J2212GS	KOMPRESSOR ASPERA J2212GS	COMPRESSEUR ASPERA J2212GS
	RA953005			PRESSOSTATO ALTA RANCO 063P104000	PRESSURE SWITCH – HIGH PRESSURE	DRUCKWÄCHTER – HOCH DRUCK	PRESSOSTAT – PRESSION HAUTE
	RA130005			ADESIVI ATTENZIONE400V""	ADHESIVE WARNING 400V	KLEBSTOFF ACHTUNG 400V	ADHESIF ATTENTION 400V
	RA986501			FUSIBILE 2A F5020K2A	FUSE 2A F5020K2A	SCHMELZSICHERUNG 2A F5020K2A	FUSIBLE 2A F5020K2A
	RA986502			FUSIBILE 400 MA 5X20F	FUSE 400 MA 5X20F	SCHMELZSICHERUNG 400 MA 5X20F	FUSIBLE 400 MA 5X20F
	RA986503			FUSIBILE 4A F5020K4A	FUSE 4A F5020K4A	SCHMELZSICHERUNG 4A F5020K4A	FUSIBLE 4A F5020K4A




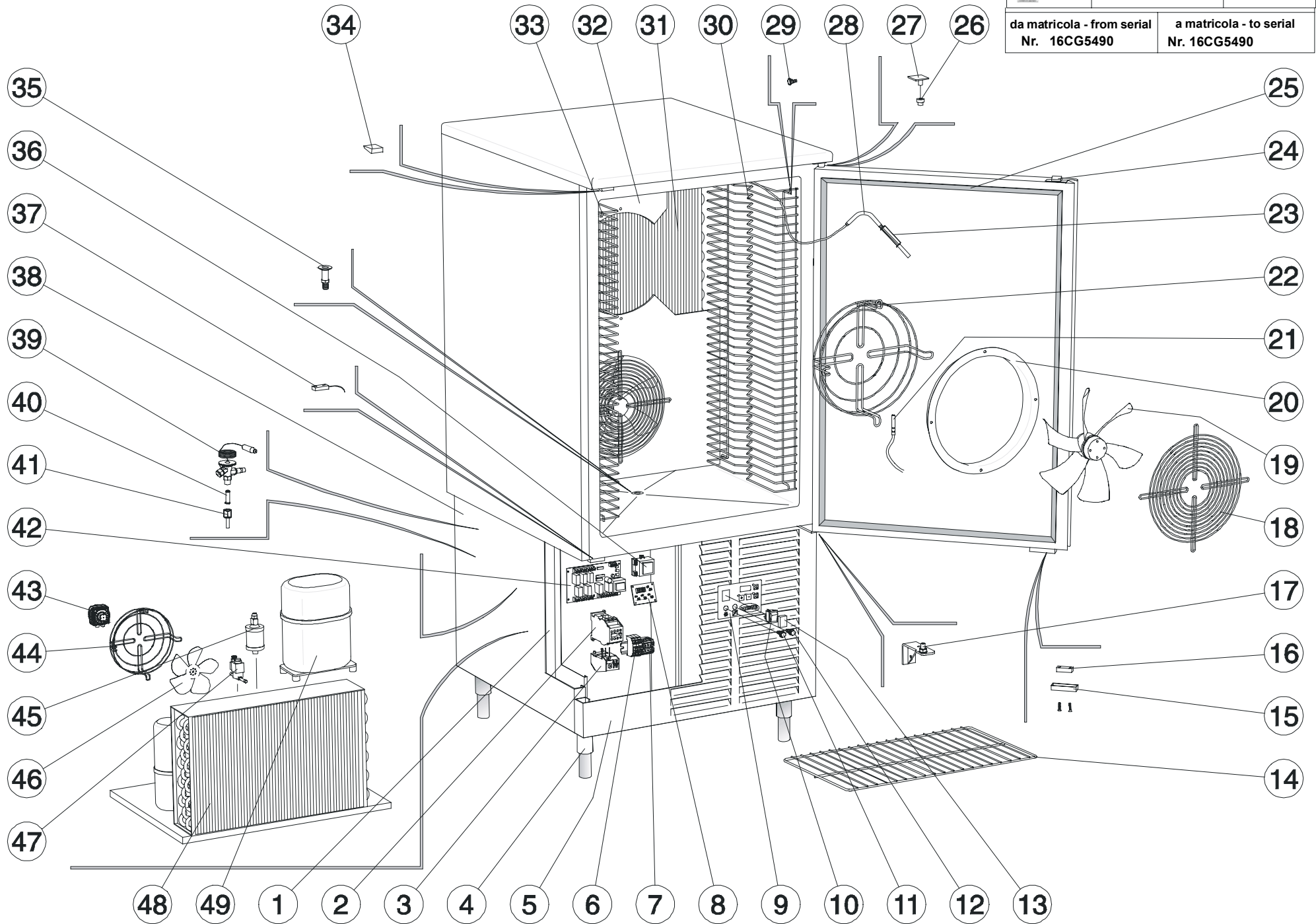
	COD.	REV.	DESCRIZIONE	DESCRIPTION	BESCHREIBUNG	DESCRIPTION
1	RG860008		SCHIENA VANO MOTORE 112	BACK PANEL F. ENGINE COMPART. 112	RÜCK FÜR MOTORRAUM 112	DOS POUR COMPARTIM. MOTEUR 112
2	RA890004		C RELE' FINDER 62. 82. 82300308	FINDER RELAY 62. 82. 82300308	RELAIS FINDER 62.82.82300308	RALAIS FINDER 62.82.82300308
3			NON INSTALLATO	NOT INSTALLED	NICHT INSTALLIERT	PAS MONTE
4	RA191002		PIEDINO ACCIAIO INOX 11/4x120"	STAINLESS STEEL FOOT 11/4x120"	EDELSTAHL FUSS 11/4x120"	PIED EN ACIER INOX 11/4x120"
5	RF360041	01	ASS.CRUSCOTTO 112 "NEW S"	FRONT PANEL FOR 112 "NEW S"	VORDERPANEEL FÜR 112 "NEW S"	PANNEAU FRONTAL POUR 112 "NEW S"
6	RA850001		PORTAFUSIBILE BARRA DIN	FUSE CARRIER FOR DIN-BAR	SICHERUNGSKOERPER FÜR DIN-STANGE	CORPS FUSIBLE P/BARRE DIN
7	0101259		MORSETTO TERMINALE	TERMINAL JUNCTION BLOCK	ENDKLEMME	BORNE TERMINAL
7a	0101262		CONTRASSEGNO (L1)	BLOCK MARK (L1)	KLEMMENZEICHEN (L1)	MARQUAGE BORNE (L1)
7b	0101265		CONTRASSEGNO (TERRA)	BLOCK MARK (EARTH)	KLEMMENZEICHEN (ERDE)	MARQUAGE BORNE (TERRE)
7c	0101266		CONTRASSEGNO (N)	BLOCK MARK (N)	KLEMMENZEICHEN (N)	MARQUAGE BORNE (N)
7d	RA850025		MORSETTO SINGOLO (FASE)	SINGLE BLOCK (PHASE)	EINZELKLEMME (PHASE)	BORNE SINGULIERE (PHASE)
7e	RA850027		MORSETTO SINGOLO (TERRA)	SINGLE BLOCK (EARTH)	EINZELKLEMME (ERDE)	BORNE SINGULIERE (TERRE)
7f	RA850028		MORSETTO SINGOLO (NEUTRO)	SINGLE BLOCK (NEUTRAL)	EINZELKLEMME (NEUTRAL)	BORNE SINGULIERE (NEUTRE)
7g	RA981011		BARRA DIN	BLOCK RAIL	HUTSCHIENE	BARRE SUPPORT BORNE
8	RA910070	01	C SCHEDA TASTIERA CT1SI0020101	CARD FOR KEYBOARD CT1SI0020101	PLATINE FÜR TASTATUR CT1SI0020101	FICHE CLAVIER P/ PLATINE CT1SI0020101
9	RA130108	01	MASCH.TAST. "NEW S"	POSITIVE KEYBOARD PLATE "NEW S"	POSITIVE TASTATURFOLIE "NEW S"	MASQUE PLATINE POSITIVE "NEW S"
10			NON INSTALLATO	NOT INSTALLED	NICHT INSTALLIERT	PAS MONTE
11			NON INSTALLATO	NOT INSTALLED	NICHT INSTALLIERT	PAS MONTE
12			NON INSTALLATO	NOT INSTALLED	NICHT INSTALLIERT	PAS MONTE
13			NON INSTALLATO	NOT INSTALLED	NICHT INSTALLIERT	PAS MONTE
14	RA170009		GRIGLIA PASTICCERIA 600X400 AISI304	PASTRY GRID 600X400 AISI304	KONDITOREIROST 600X400 AISI304	GRILLE PATISSERIE 600X400 AISI304
15	RG830009		SCATOLA MAGNETE	MAGNETO BOX	MAGNET-KASTEN	BOITE MAGNETO
16	RA840005		UNITA' MAGNETICA	MAGNETIC UNIT	MAGNETEINHEIT	UNITE MAGNETIQUE
17	RF200004		ASS. CERNERA INF. PORTA 112	LOWER HINGE FOR DOOR 112	UNTERES SCHARNIER FÜR TÜR 112	CHARNIERE INFERIEURE P/PORTE 112
18	RA170017		GRIGLIA PROT.VENT.300 V"INOX"	PROTECTION GRID FOR FAN 300	SCHUTZGITTER FÜR VENTILATOR 300	GRILLE PROTECTION VENTILATEUR 300
19	RA880009		C MOTOVENT. A4E300-AA01-48 (112)	FAN A4E300-AA01-48 (112)	VENTILATOR A4E300-AA01-48 (112)	VENTILATEUR . A4E300-AA01-48 (112)
20	RA110011		BOCCAGLIO VENT. 300 AL.	FAN CONVEYOR 300 AL.	VENTILATOR-KONVEYOR 300 AL.	EMBOUT VENTILATEUR 300 AL.
21	RA930008		C SONDA PTC L.2500 SILICONE	PROBE PTC L.2500	FÜHLER PTC L. 2500	SONDE PTC L.2500
22	RA170023		GRIGLIA SOST.V.300 4P V"INOX"	SUPPORT GRID FOR FAN 300 4P	GITTERHALTER FÜR VENTILATEUR 300 4P	SUPPORT GRILLE VENTILATEUR 300 4P
23	RA570003		ASS. PORTASONDE SPILLONE	PROBE SUPPORT FOR PRICKER PROBE	FUEHLERHALTER FUER NADEL FUEHLER	PORTE-SONDE P/AGUILLE
24	RZ960029		KIT SCROCCHETTO	CATCH KIT	SCHNAPPER KIT	KIT ENCLenchement
25	RA190037		GUARNIZIONE DI TENUTA	SEAL	DICHTUNG	GARNITURE
26	RA050001		BOCCOLA CERNIERA SUPER.PORTA	BUSH FOR UPPER DOOR HINGE	BUCHSE F. OBERSCHARNIER DER TUER	DOUILLE P/CHARNIERE SUP.PORTE
27	RF200005		ASS. CERNIERA SUP. PORTA	UPPER HINGE FOR DOOR	OBERES SCHARNIER FUER TUER	CHARNIERE SUPERIEURE PORTE
28	RA930004		C SONDA INF.PTC 3X100 3MT SILIC.	CORE PROBE 3X100 3M	KERNFUEHLER 3X100 3M	SONDE AU COEUR 3X100 3M
29	RA470005		PERNO SUPPORTO PARATIA F4 2/3	PIN FOR TRAY SUPPORT	BOLZEN FUER SCHALEHALTER	PIVOT P/PORTE-PLAQUES
30	RA175010		ASS. PARATIA 112 GASTR.	SUPPORT FOR GN TRAY FOR MOD. 112	GN SCHALENHALTER FÜR MOD. 112	CLOISON PORTE-PLAQUES POUR MOD. 112
31	RA140003		EVAPORATORE 2R32T X ABB.112	EVAPORATOR 2R32T FOR MOD. 112	VERDÄMPFER 2R32T FÜR MOD. 112	EVAPORATEUR 2R32T POUR MOD. 2R32T
32	RG310006		CONVOGLIATORE 112	FAN COVERING 112	VENTILATORABDECKUNG 112	COUVRE VENTILATEUR 112
33	RA175010		ASS. PARATIA 112 GASTR.	SUPPORT FOR GN TRAY FOR MOD. 112	GN SCHALENHALTER FÜR MOD. 112	CLOISON PORTE-PLAQUES POUR MOD. 112
34	RG830039	01	FERMO SCROCCHETTO	CATCH SEAT	AUFNAHME FUER SCHNAPPER	ARRET D'ENCLenchement
35	RA651000		PILETTA SCARICO COMPL.3/4 L=30	DRAIN STRAINER 3/4 L= 30	BECKENAUFLAUF 3/4 L=30	CREPINE VIDANGE 3/4 L=30



36				NON INSTALLATO	NOT INSTALLED	NICHT INSTALLIERT	PAS MONTE
37	RA840004			SENSORE MAGNETICO	MAGNETIC SENSOR	MAGNETSENSOR	CAPTEUR MAGNETIQUE
38	RG370004			FIANCO VANO MOTORE 112	SIDE PANEL F. ENGINE COMPARTMENT 112	SEITENWAND FÜR MOTORRAUM 112	COTE COMPARTIMENT MOTEUR 112
39	RA715017			CORPO VALVOLA TES2 R404A ODF	VALVE BODY TES2 R404A ODF	VENTILKOERPER TES2 R404A ODF	CORPS SOUPAPE TES2 R404A ODF
40	RA716019			ORIFICIO N° 03 C/FILTRO ODF	ORIFICE N°03 WITH FILTER ODF	ÖFFNUNG N° 03 MIT FILTER ODF	ORIFICE N° 03 AVEC FILTER ODF
41	RA716502			ADATTATORE A BRASARE X T-TE D.10	ADAPTER FOR T-TE D.10	ADAPTER FUER T-TE D.10	ADAPTATEUR POUR T-TE D.10
42	RA910060	01	C	SCHEDA BASE 7 RELE'	MASTER CARD - 7 RELAYS	HAUPTPLATINE - 7 RELAIS	FICHE BASE - 7 RELAIS
43	RA880035		C	MOTOVENTILATORE EBM AE350-AP06-01	MOTOR FOR FAN EBM AE350-AP06-01	MOTOR F. VENTILATEUR EBM AE350-AP06-01	MOTEUR VENTILATEUR EBM AE350-AP06-01
44	RA170005			GRIGLIA G035000-00-01 EBM	GRID G035000-00-01 EBM	GITTER G035000-00-01 EBM	GRILLE G035000-00-01 EBM
45	RA012009			FILTRO DEIDR. CASTEL 4308/3S	DEHYDRATION FILTER 4308/3S	WASSERENTZIEHUNG-FILTER 4308/3S	FILTRE DEHYDRATATION 4308/3S
46				INCLUSO IN PARTICOLARE 43	INCLUDED IN POS. 43	IM POS. 43 ENTHÄLT	INCLUS A LA POS. 44
47	RA714014			VALV. SOL.Ø10 SALD.CASTEL 1068/M10S	CASTEL SOLENOIDE VALVE Ø10 1068/M10S	CASTEL SOLENOID-VENTIL Ø10 1068/M10S	SOUPAPE SOLENOIDE CASTEL Ø10 1068/M10S
47	RA714016		C	BOBINA 220-50/60 PER VAL.SOL.CASTEL	COIL 220-50/60 FOR SOLENOIDE VALVE	SPUL 220-50/60 FÜR SOLENOID-VENTIL	BOBINE 220-50/60 P/SOUPAPE SOLENOIDE
47	RA714017			CONNETTORE PG11 X VALV. SOL. CASTEL	CONNECTOR PG11 F. SOLENOIDE VALVE	VERBINDER PG11 FÜR SOLENOID-VENTIL	CONNECTEUR PG11 P. SOUPAPE SOLENOIDE
48	RA090015			CONDEN. 2522-16T-5R-380-SP3.5-5AL	CONDENSER 2522-16T-5R-380-SP3.5-5AL	KONDENSER 2522-16T-5R-380-SP3.5-5AL	CONDENSATEUR 2522-16T-5R-380-SP3.5-5AL
49	RA070004		C	COMPRESSORE ASPERA J9226GK R404A	COMPRESSOR ASPERA J2212GS	KOMPRESSOR ASPERA J2212GS	COMPRESSEUR ASPERA J2212GS
	RA953005			PRESSOSTATO ALTA RANCO 063P104000	PRESSURE SWITCH – HIGH PRESSURE	DRUCKWÄCHTER – HOCH DRUCK	PRESSOSTAT – PRESSION HAUTE
	RA130005			ADESIVI "ATTENZIONE 400V"	ADHESIVE WARNING 400V	KLEBSTOFF ACHTUNG 400V	ADHESIF ATTENTION 400V
	RA986501			FUSIBILE 2A F5020K2A	FUSE 2A F5020K2A	SCHMELZSICHERUNG 2A F5020K2A	FUSIBLE 2A F5020K2A
	RA986502			FUSIBILE 400 MA 5X20F	FUSE 400 MA 5X20F	SCHMELZSICHERUNG 400 MA 5X20F	FUSIBLE 400 MA 5X20F
	RA986503			FUSIBILE 4A F5020K4A	FUSE 4A F5020K4A	SCHMELZSICHERUNG 4A F5020K4A	FUSIBLE 4A F5020K4A



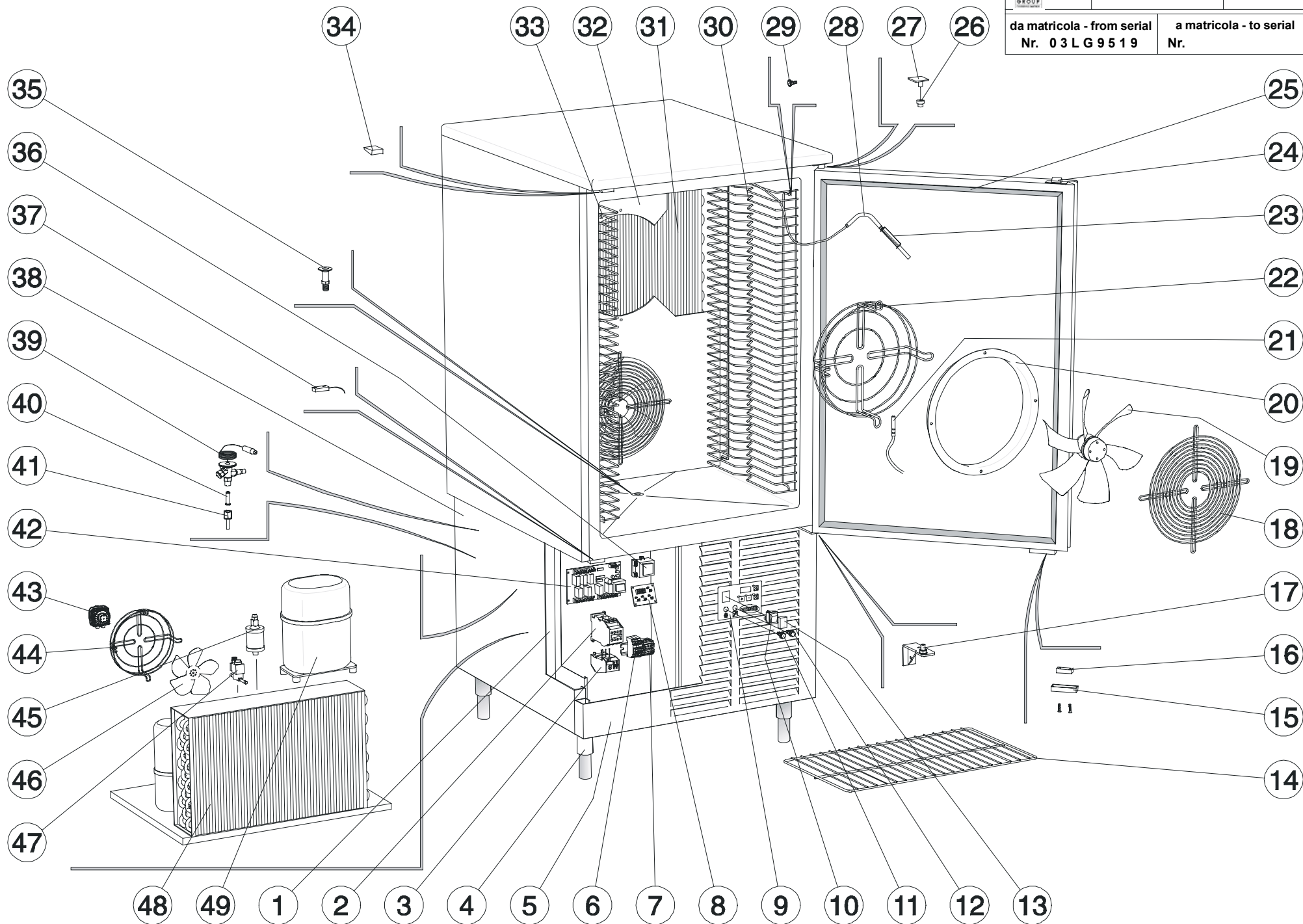
	COD. XESH6X02	PAG. 9
da matricola - from serial Nr. 16CG5490		a matricola - to serial Nr. 16CG5490



	COD.	REV.	DESCRIZIONE	DESCRIPTION	BESCHREIBUNG	DESCRIPTION
1	RG860008		SCHIENA VANO MOTORE 112	BACK PANEL F. ENGINE COMPART. 112	RÜCK FÜR MOTORRAUM 112	DOS POUR COMPARTIM. MOTEUR 112
2	RA890004		C RELE' FINDER 62. 82. 82300308	FINDER RELAY 62. 82. 82300308	RELAIS FINDER 62.82.82300308	RALAIS FINDER 62.82.82300308
3			NON INSTALLATO	NOT INSTALLED	NICHT INSTALLIERT	PAS MONTE
4	RA191002		PIEDINO ACCIAIO INOX 11/4x120"	STAINLESS STEEL FOOT 11/4x120"	EDELSTAHL FUSS 11/4x120"	PIED EN ACIER INOX 11/4x120"
5	RF360041	01	ASS.CRUSCOTTO 112 "NEW S"	FRONT PANEL FOR 112 "NEW S"	VORDERPANEEL FÜR 112 "NEW S"	PANNEAU FRONTAL POUR 112 "NEW S"
6	RA850001		PORTAFUSIBILE BARRA DIN	FUSE CARRIER FOR DIN-BAR	SICHERUNGSKOERPER FÜR DIN-STANGE	CORPS FUSIBLE P/BARRE DIN
7	0101259		MORSETTO TERMINALE	TERMINAL JUNCTION BLOCK	ENDKLEMME	BORNE TERMINAL
7a	0101262		CONTRASSEGNO (L1)	BLOCK MARK (L1)	KLEMMENZEICHEN (L1)	MARQUAGE BORNE (L1)
7b	0101265		CONTRASSEGNO (TERRA)	BLOCK MARK (EARTH)	KLEMMENZEICHEN (ERDE)	MARQUAGE BORNE (TERRE)
7c	0101266		CONTRASSEGNO (N)	BLOCK MARK (N)	KLEMMENZEICHEN (N)	MARQUAGE BORNE (N)
7d	RA850025		MORSETTO SINGOLO (FASE)	SINGLE BLOCK (PHASE)	EINZELKLEMME (PHASE)	BORNE SINGULIERE (PHASE)
7e	RA850027		MORSETTO SINGOLO (TERRA)	SINGLE BLOCK (EARTH)	EINZELKLEMME (ERDE)	BORNE SINGULIERE (TERRE)
7f	RA850028		MORSETTO SINGOLO (NEUTRO)	SINGLE BLOCK (NEUTRAL)	EINZELKLEMME (NEUTRAL)	BORNE SINGULIERE (NEUTRE)
7g	RA981011		BARRA DIN	BLOCK RAIL	HUTSCHIENE	BARRE SUPPORT BORNE
8	RA910070	01	C SCHEDE TASTIERA CT1SI0020101	CARD FOR KEYBOARD CT1SI0020101	PLATINE FÜR TASTATUR CT1SI0020101	FICHE CLAVIER P/ PLATINE CT1SI0020101
9	RA130108	01	MASCH.TAST. "NEW S"	POSITIVE KEYBOARD PLATE "NEW S"	POSITIVE TASTATURFOLIE "NEW S"	MASQUE PLATINE POSITIVE "NEW S"
10			NON INSTALLATO	NOT INSTALLED	NICHT INSTALLIERT	PAS MONTE
11			NON INSTALLATO	NOT INSTALLED	NICHT INSTALLIERT	PAS MONTE
12			NON INSTALLATO	NOT INSTALLED	NICHT INSTALLIERT	PAS MONTE
13			NON INSTALLATO	NOT INSTALLED	NICHT INSTALLIERT	PAS MONTE
14	RA170009		GRIGLIA PASTICCERIA 600X400 AISI304	PASTRY GRID 600X400 AISI304	KONDITOREIROST 600X400 AISI304	GRILLE PATISSERIE 600X400 AISI304
15	RG830009		SCATOLA MAGNETE	MAGNETO BOX	MAGNET-KASTEN	BOITE MAGNETO
16	RA840005		UNITA' MAGNETICA	MAGNETIC UNIT	MAGNETEINHEIT	UNITE MAGNETIQUE
17	RF200004		ASS. CERNERA INF. PORTA 112	LOWER HINGE FOR DOOR 112	UNTERES SCHARNIER FÜR TÜR 112	CHARNIERE INFERIEURE P/PORTE 112
18	RA170017		GRIGLIA PROT.VENT.300 V"INOX"	PROTECTION GRID FOR FAN 300	SCHUTZGITTER FÜR VENTILATOR 300	GRILLE PROTECTION VENTILATEUR 300
19	RA880009	C	MOTOVENT. A4E300-AA01-48 (112)	FAN A4E300-AA01-48 (112)	VENTILATOR A4E300-AA01-48 (112)	VENTILATEUR . A4E300-AA01-48 (112)
20	RA110011		BOCCAGLIO VENT. 300 AL.	FAN CONVEYOR 300 AL.	VENTILATOR-KONVEYOR 300 AL.	EMBOUT VENTILATEUR 300 AL.
21	RA930008	C	SONDA PTC L.2500 SILICONE	PROBE PTC L.2500	FÜHLER PTC L. 2500	SONDE PTC L.2500
22	RA170023		GRIGLIA SOST.V.300 4P V"INOX"	SUPPORT GRID FOR FAN 300 4P	GITTERHALTER FÜR VENTILATEUR 300 4P	SUPPORT GRILLE VENTILATEUR 300 4P
23	RA570003		ASS. PORTASONDE SPILLONE	PROBE SUPPORT FOR PRICKER PROBE	FUEHLERHALTER FUER NADELFUEHLER	PORTE-SONDE P/AGUILLE
24	RZ960029		KIT SCROCCHETTO	CATCH KIT	SCHNAPPER KIT	KIT ENCLenchement
25	RA190037		GUARNIZIONE DI TENUTA	SEAL	DICHTUNG	GARNITURE
26	RA050001		BOCCOLA CERNIERA SUPER.PORTA	BUSH FOR UPPER DOOR HINGE	BUCHSE F. OBERSCHARNIER DER TUER	DOUILLE P/CHARNIERE SUP.PORTE
27	RF200005		ASS. CERNIERA SUP. PORTA	UPPER HINGE FOR DOOR	OBERES SCHARNIER FUER TUER	CHARNIERE SUPERIEURE PORTE
28	RA930004	C	SONDA INF.PTC 3X100 3MT SILIC.	CORE PROBE 3X100 3M	KERNFUEHLER 3X100 3M	SONDE AU COEUR 3X100 3M
29	RA470005		PERNO SUPPORTO PARATIA F4 2/3	PIN FOR TRAY SUPPORT	BOLZEN FUER SCHALEHALTER	PIVOT P/PORTE-PLAQUES
30	RA175010		ASS. PARATIA 112 GASTR.	SUPPORT FOR GN TRAY FOR MOD. 112	GN SCHALENHALTER FÜR MOD. 112	CLOISON PORTE-PLAQUES POUR MOD. 112
31	RA140003		EVAPORATORE 2R32T X ABB.112	EVAPORATOR 2R32T FOR MOD. 112	VERDÄMPFER 2R32T FÜR MOD. 112	EVAPORATEUR 2R32T POUR MOD. 2R32T
32	RG310006		CONVOGLIATORE 112	FAN COVERING 112	VENTILATORABDECKUNG 112	COUVRE VENTILATEUR 112
33	RA175010		ASS. PARATIA 112 GASTR.	SUPPORT FOR GN TRAY FOR MOD. 112	GN SCHALENHALTER FÜR MOD. 112	CLOISON PORTE-PLAQUES POUR MOD. 112
34	RG830039	01	FERMO SCROCCHETTO	CATCH SEAT	AUFNAHME FUER SCHNAPPER	ARRET D'ENCLenchement
35	RA651002	02	PILETTA SCARICO 1" L=70	DRAIN STRAINER 1" L=70	BECKENAUSLAUF 1" L=70	CREPINE VIDANGE 1" L=70

36			NON INSTALLATO	NOT INSTALLED	NICHT INSTALLIERT	PAS MONTE
37	RA840004		SENSORE MAGNETICO	MAGNETIC SENSOR	MAGNETSENSOR	CAPTEUR MAGNETIQUE
38	RG370004		FIANCO VANO MOTORE 112	SIDE PANEL F. ENGINE COMPARTMENT 112	SEITENWAND FÜR MOTORRAUM 112	COTE COMPARTIMENT MOTEUR 112
39	RA715017		CORPO VALVOLA TES2 R404A ODF	VALVE BODY TES2 R404A ODF	VENTILKOERPER TES2 R404A ODF	CORPS SOUPAPE TES2 R404A ODF
40	RA716019		ORIFICIO N° 03 C/FILTRO ODF	ORIFICE N°03 WITH FILTER ODF	ÖFFNUNG N° 03 MIT FILTER ODF	ORIFICE N° 03 AVEC FILTER ODF
41	RA716502		ADATTATORE A BRASARE X T-TE D.10	ADAPTER FOR T-TE D.10	ADAPTER FUER T-TE D.10	ADAPTATEUR POUR T-TE D.10
42	RA910060	01	C SCHEDA BASE 7 RELE'	MASTER CARD - 7 RELAYS	HAUPTPLATINE - 7 RELAIS	FICHE BASE - 7 RELAIS
43	RA880035		C MOTOVENTILATORE EBM AE350-AP06-01	MOTOR FOR FAN EBM AE350-AP06-01	MOTOR F. VENTILATEUR EBM AE350-AP06-01	MOTEUR VENTILATEUR EBM AE350-AP06-01
44	RA170005		GRIGLIA G035000-00-01 EBM	GRID G035000-00-01 EBM	GITTER G035000-00-01 EBM	GRILLE G035000-00-01 EBM
45	RA012009		FILTRO DEIDR. CASTEL 4308/3S	DEHYDRATION FILTER 4308/3S	WASSERENTZIEHUNG-FILTER 4308/3S	FILTRE DEHYDRATATION 4308/3S
46			INCLUSO IN PARTICOLARE 43	INCLUDED IN POS. 43	IM POS. 43 ENTHÄLT	INCLUS A LA POS. 44
47	RA714014		VALV. SOL.Ø10 SALD.CASTEL 1068/M10S	CASTEL SOLENOIDE VALVE □10 1068/M10S	CASTEL SOLENOID-VENTIL □10 1068/M10S	SOUPAPE SOLENOIDE CASTEL □10 1068/M10S
47	RA714016		C BOBINA 220-50/60 PER VAL.SOL.CASTEL	COIL 220-50/60 FOR SOLENOIDE VALVE	SPUL 220-50/60 FÜR SOLENOID-VENTIL	BOBINE 220-50/60 P/SOUPAPE SOLENOIDE
47	RA714017		CONNETTORE PG11 X VALV. SOL. CASTEL	CONNECTOR PG11 F. SOLENOIDE VALVE	VERBINDER PG11 FÜR SOLENOID-VENTIL	CONNECTEUR PG11 P. SOUPAPE SOLENOIDE
48	RA090015		CONDEN. 2522-16T-5R-380-SP3.5-5AL	CONDENSER 2522-16T-5R-380-SP3.5-5AL	KONDENSER 2522-16T-5R-380-SP3.5-5AL	CONDENSATEUR 2522-16T-5R-380-SP3.5-5AL
49	RA070004		C COMPRESSORE ASPERA J9226GK R404A	COMPRESSOR ASPERA J2212GS	KOMPRESSOR ASPERA J2212GS	COMPRESSEUR ASPERA J2212GS
	RA953005		PRESSOSTATO ALTA RANCO 063P104000	PRESSURE SWITCH – HIGH PRESSURE	DRUCKWÄCHTER – HOCH DRUCK	PRESSOSTAT – PRESSION HAUTE
	RA130005		ADESIVI "ATTENZIONE 400V"	ADHESIVE WARNING 400V	KLEBSTOFF ACHTUNG 400V	ADHESIF ATTENTION 400V
	RA986501		FUSIBILE 2A F5020K2A	FUSE 2A F5020K2A	SCHMELZSICHERUNG 2A F5020K2A	FUSIBLE 2A F5020K2A
	RA986502		FUSIBILE 400 MA 5X20F	FUSE 400 MA 5X20F	SCHMELZSICHERUNG 400 MA 5X20F	FUSIBLE 400 MA 5X20F
	RA986503		FUSIBILE 4A F5020K4A	FUSE 4A F5020K4A	SCHMELZSICHERUNG 4A F5020K4A	FUSIBLE 4A F5020K4A





	COD.	REV.	DESCRIZIONE	DESCRIPTION	BESCHREIBUNG	DESCRIPTION
1	RG860008		SCHIENA VANO MOTORE 112	BACK PANEL F. ENGINE COMPART. 112	RÜCK FÜR MOTORRAUM 112	DOS POUR COMPARTIM. MOTEUR 112
2	RA890004		C RELE' FINDER 62. 82. 82300308	FINDER RELAY 62. 82. 82300308	RELAIS FINDER 62.82.82300308	RALAIS FINDER 62.82.82300308
3			NON INSTALLATO	NOT INSTALLED	NICHT INSTALLIERT	PAS MONTE
4	RA191002		PIEDINO ACCIAIO INOX 11/4x120"	STAINLESS STEEL FOOT 11/4x120"	EDELSTAHL FUSS 11/4x120"	PIED EN ACIER INOX 11/4x120"
5	RF360041	01	ASS.CRUSCOTTO 112 "NEW S"	FRONT PANEL FOR 112 "NEW S"	VORDERPANEEL FÜR 112 "NEW S"	PANNEAU FRONTAL POUR 112 "NEW S"
6	RA850001		PORTAFUSIBILE BARRA DIN	FUSE CARRIER FOR DIN-BAR	SICHERUNGSKOERPER FÜR DIN-STANGE	CORPS FUSIBLE P/BARRE DIN
7	0101259		MORSETTO TERMINALE	TERMINAL JUNCTION BLOCK	ENDKLEMME	BORNE TERMINAL
7a	0101262		CONTRASSEGNO (L1)	BLOCK MARK (L1)	KLEMMENZEICHEN (L1)	MARQUAGE BORNE (L1)
7b	0101265		CONTRASSEGNO (TERRA)	BLOCK MARK (EARTH)	KLEMMENZEICHEN (ERDE)	MARQUAGE BORNE (TERRE)
7c	0101266		CONTRASSEGNO (N)	BLOCK MARK (N)	KLEMMENZEICHEN (N)	MARQUAGE BORNE (N)
7d	RA850025		MORSETTO SINGOLO (FASE)	SINGLE BLOCK (PHASE)	EINZELKLEMME (PHASE)	BORNE SINGULIERE (PHASE)
7e	RA850027		MORSETTO SINGOLO (TERRA)	SINGLE BLOCK (EARTH)	EINZELKLEMME (ERDE)	BORNE SINGULIERE (TERRE)
7f	RA850028		MORSETTO SINGOLO (NEUTRO)	SINGLE BLOCK (NEUTRAL)	EINZELKLEMME (NEUTRAL)	BORNE SINGULIERE (NEUTRE)
7g	RA981011		BARRA DIN	BLOCK RAIL	HUTSCHIENE	BARRE SUPPORT BORNE
8	RA910070	01	C SCHEDA TASTIERA CT1SI0020101	CARD FOR KEYBOARD CT1SI0020101	PLATINE FÜR TASTATUR CT1SI0020101	FICHE CLAVIER P/ PLATINE CT1SI0020101
9	RA130108	01	MASCH.TAST. "NEW S"	POSITIVE KEYBOARD PLATE "NEW S"	POSITIVE TASTATURFOLIE "NEW S"	MASQUE PLATINE POSITIVE "NEW S"
10			NON INSTALLATO	NOT INSTALLED	NICHT INSTALLIERT	PAS MONTE
11			NON INSTALLATO	NOT INSTALLED	NICHT INSTALLIERT	PAS MONTE
12			NON INSTALLATO	NOT INSTALLED	NICHT INSTALLIERT	PAS MONTE
13			NON INSTALLATO	NOT INSTALLED	NICHT INSTALLIERT	PAS MONTE
14	RA170009		GRIGLIA PASTICCERIA 600X400 AISI304	PASTRY GRID 600X400 AISI304	KONDITOREIROST 600X400 AISI304	GRILLE PATISSERIE 600X400 AISI304
15	RG830009		SCATOLA MAGNETE	MAGNETO BOX	MAGNET-KASTEN	BOITE MAGNETO
16	RA840005		UNITA' MAGNETICA	MAGNETIC UNIT	MAGNETEINHEIT	UNITE MAGNETIQUE
17	RF200004		ASS. CERNERA INF. PORTA 112	LOWER HINGE FOR DOOR 112	UNTERES SCHARNIER FÜR TÜR 112	CHARNIERE INFERIEURE P/PORTE 112
18	RA170017		GRIGLIA PROT.VENT.300 V"INOX"	PROTECTION GRID FOR FAN 300	SCHUTZGITTER FÜR VENTILATOR 300	GRILLE PROTECTION VENTILATEUR 300
19	RA880009		C MOTOVENT. A4E300-AA01-48 (112)	FAN A4E300-AA01-48 (112)	VENTILATOR A4E300-AA01-48 (112)	VENTILATEUR . A4E300-AA01-48 (112)
20	RA110011		BOCCAGLIO VENT. 300 AL.	FAN CONVEYOR 300 AL.	VENTILATOR-KONVEYOR 300 AL.	EMBOUT VENTILATEUR 300 AL.
21	RA930008		C SONDA PTC L.2500 SILICONE	PROBE PTC L.2500	FÜHLER PTC L. 2500	SONDE PTC L.2500
22	RA170023		GRIGLIA SOST.V.300 4P V"INOX"	SUPPORT GRID FOR FAN 300 4P	GITTERHALTER FÜR VENTILATEUR 300 4P	SUPPORT GRILLE VENTILATEUR 300 4P
23	RG830038	03	SUPPORTO SX SONDA AL CUORE	CORE PROBE SUPPORT	KERNFÜHLERHALTER	PORTE-SONDE AU COEUR
24	RZ960029		KIT SCROCCHETTO	CATCH KIT	SCHNAPPER KIT	KIT ENCLenchement
25	RA190037		GUARNIZIONE DI TENUTA	SEAL	DICHTUNG	GARNITURE
26	RA050001		BOCCOLA CERNIERA SUPER.PORTA	BUSH FOR UPPER DOOR HINGE	BUCHSE F. OBERSCHARNIER DER TUER	DOUILLE P/CHARNIERE SUP.PORTE
27	RF200005		ASS. CERNIERA SUP. PORTA	UPPER HINGE FOR DOOR	OBERES SCHARNIER FUER TUER	CHARNIERE SUPERIEURE PORTE
28	RA930010	03	C SONDA AISI INF. S/RISC. PTC 3MT SIL.	HEATED CORE PROBE	GEHEIZTER KERNFUEHLER	SONDE AU COEUR CHAUFFEE
29	RA470005		PERNO SUPPORTO PARATIA F4 2/3	PIN FOR TRAY SUPPORT	BOLZEN FUER SCHALEHALTER	PIVOT P/PORTE-PLAQUES
30	RA175010		ASS. PARATIA 112 GASTR.	SUPPORT FOR GN TRAY FOR MOD. 112	GN SCHALENHALTER FÜR MOD. 112	CLOISON PORTE-PLAQUES POUR MOD. 112
31	RA140003		EVAPORATORE 2R32T X ABB.112	EVAPORATOR 2R32T FOR MOD. 112	VERDÄMPFER 2R32T FÜR MOD. 112	EVAPORATEUR 2R32T POUR MOD. 2R32T
32	RG310006		CONVOGLIATORE 112	FAN COVERING 112	VENTILATORABDECKUNG 112	COUVRE VENTILATEUR 112
33	RA175010		ASS. PARATIA 112 GASTR.	SUPPORT FOR GN TRAY FOR MOD. 112	GN SCHALENHALTER FÜR MOD. 112	CLOISON PORTE-PLAQUES POUR MOD. 112
34	RG830039	01	FERMO SCROCCHETTO	CATCH SEAT	AUFNAHME FUER SCHNAPPER	ARRET D'ENCLenchement
35	RA651002	02	PILETTA SCARICO 1" L=70	DRAIN STRAINER 1" L=70	BECKENAUSLAUF 1" L=70	CREPINE VIDANGE 1" L=70

36			NON INSTALLATO	NOT INSTALLED	NICHT INSTALLIERT	PAS MONTE
37	RA840004		SENSORE MAGNETICO	MAGNETIC SENSOR	MAGNETSENSOR	CAPTEUR MAGNETIQUE
38	RG370004		FIANCO VANO MOTORE 112	SIDE PANEL F. ENGINE COMPARTMENT 112	SEITENWAND FÜR MOTORRAUM 112	COTE COMPARTIMENT MOTEUR 112
39	RA715017		CORPO VALVOLA TES2 R404A ODF	VALVE BODY TES2 R404A ODF	VENTILKOERPER TES2 R404A ODF	CORPS SOUPAPE TES2 R404A ODF
40	RA716019		ORIFICIO N° 03 C/FILTRO ODF	ORIFICE N°03 WITH FILTER ODF	ÖFFNUNG N° 03 MIT FILTER ODF	ORIFICE N° 03 AVEC FILTER ODF
41	RA716502		ADATTATORE A BRASARE X T-TE D.10	ADAPTER FOR T-TE D.10	ADAPTER FUER T-TE D.10	ADAPTATEUR POUR T-TE D.10
42	RA910060	01	C SCHEDA BASE 7 RELE'	MASTER CARD - 7 RELAYS	HAUPTPLATINE - 7 RELAIS	FICHE BASE - 7 RELAIS
43	RA880035		C MOTOVENTILATORE EBM AE350-AP06-01	MOTOR FOR FAN EBM AE350-AP06-01	MOTOR F. VENTILATEUR EBM AE350-AP06-01	MOTEUR VENTILATEUR EBM AE350-AP06-01
44	RA170005		GRIGLIA G035000-00-01 EBM	GRID G035000-00-01 EBM	GITTER G035000-00-01 EBM	GRILLE G035000-00-01 EBM
45	RA012009		FILTRO DEIDR. CASTEL 4308/3S	DEHYDRATION FILTER 4308/3S	WASSERENTZIEHUNG-FILTER 4308/3S	FILTRE DEHYDRATATION 4308/3S
46			INCLUSO IN PARTICOLARE 43	INCLUDED IN POS. 43	IM POS. 43 ENTHÄLT	INCLUS A LA POS. 44
47	RA714014		VALV. SOL.Ø10 SALD.CASTEL 1068/M10S	CASTEL SOLENOIDE VALVE □10 1068/M10S	CASTEL SOLENOID-VENTIL □10 1068/M10S	SOUPAPE SOLENOIDE CASTEL □10 1068/M10S
47	RA714016		C BOBINA 220-50/60 PER VAL.SOL.CASTEL	COIL 220-50/60 FOR SOLENOIDE VALVE	SPUL 220-50/60 FÜR SOLENOID-VENTIL	BOBINE 220-50/60 P/SOUPAPE SOLENOIDE
47	RA714017		CONNETTORE PG11 X VALV. SOL. CASTEL	CONNECTOR PG11 F. SOLENOIDE VALVE	VERBINDFER PG11 FÜR SOLENOID-VENTIL	CONNECTEUR PG11 P. SOUPAPE SOLENOIDE
48	RA090015		CONDEN. 2522-16T-5R-380-SP3.5-5AL	CONDENSER 2522-16T-5R-380-SP3.5-5AL	KONDENSER 2522-16T-5R-380-SP3.5-5AL	CONDENSATEUR 2522-16T-5R-380-SP3.5-5AL
49	RA070004		C COMPRESSORE ASPERA J9226GK R404A	COMPRESSOR ASPERA J2212GS	KOMPRESSOR ASPERA J2212GS	COMPRESSEUR ASPERA J2212GS
	RA953005		PRESSOSTATO ALTA RANCO 063P104000	PRESSURE SWITCH – HIGH PRESSURE	DRUCKWÄCHTER – HOCH DRUCK	PRESSOSTAT – PRESSION HAUTE
	RA130005		ADESIVI "ATTENZIONE 400V"	ADHESIVE WARNING 400V	KLEBSTOFF ACHTUNG 400V	ADHESIF ATTENTION 400V
	RA986501		FUSIBILE 2A F5020K2A	FUSE 2A F5020K2A	SCHMELZSICHERUNG 2A F5020K2A	FUSIBLE 2A F5020K2A
	RA986502		FUSIBILE 400 MA 5X20F	FUSE 400 MA 5X20F	SCHMELZSICHERUNG 400 MA 5X20F	FUSIBLE 400 MA 5X20F
	RA986503		FUSIBILE 4A F5020K4A	FUSE 4A F5020K4A	SCHMELZSICHERUNG 4A F5020K4A	FUSIBLE 4A F5020K4A

