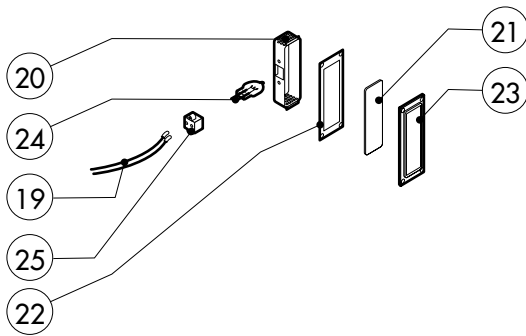
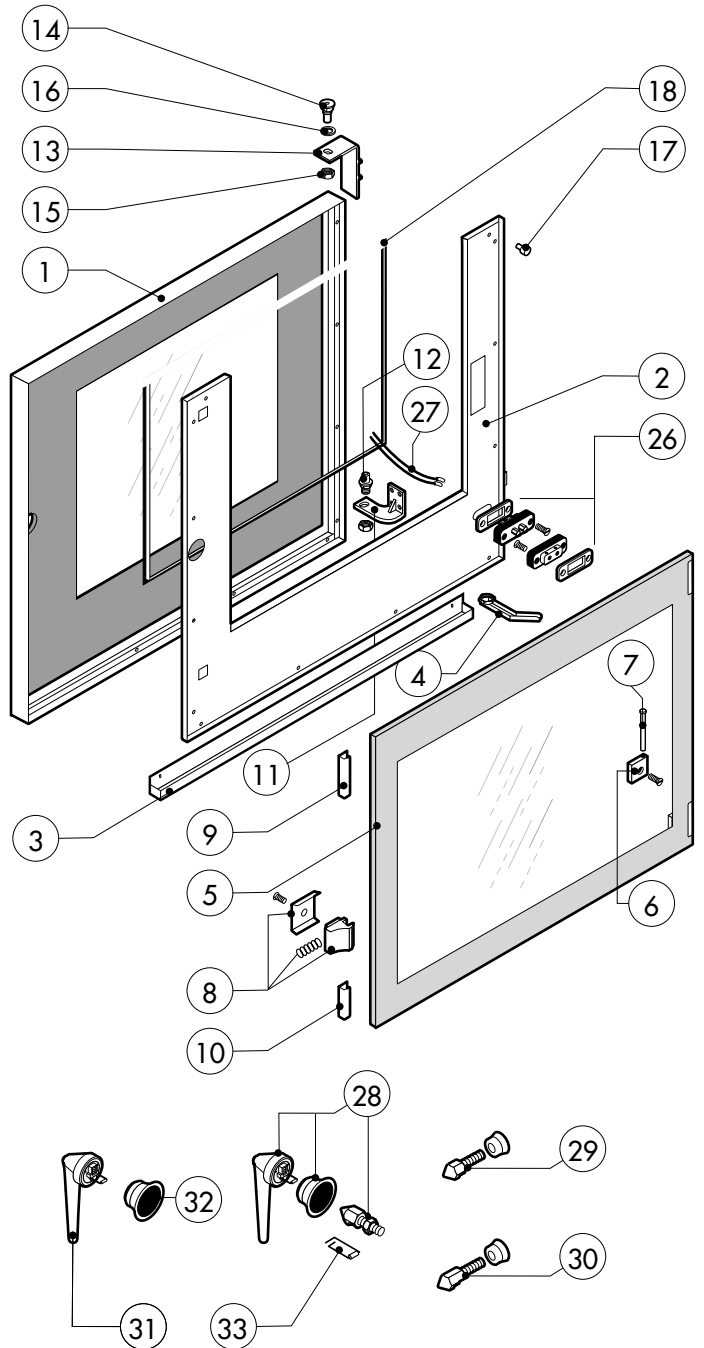
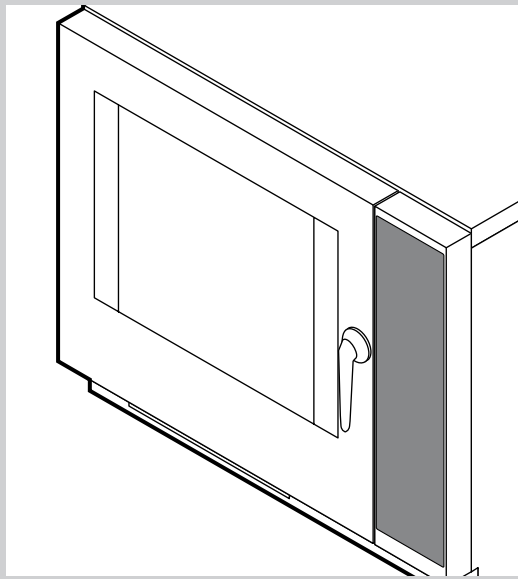


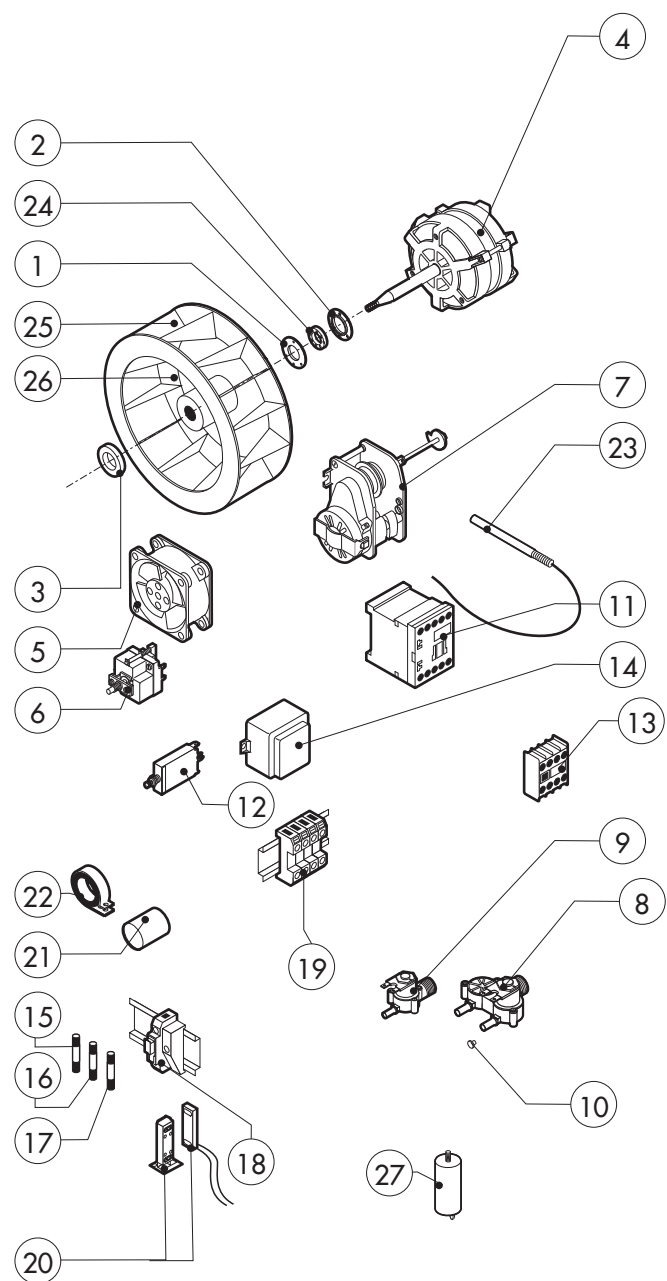
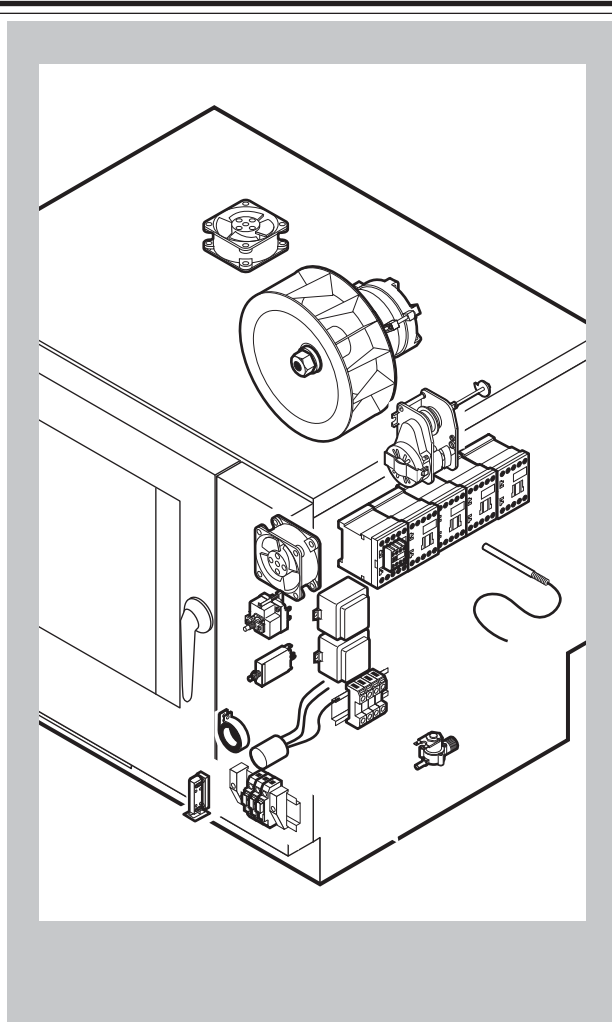
POS.	CODE	PIECES	DESCRIPTION
1	R11101120	1	DOOR ASSEMBLY
2	R11215560	1	CONTROL PANEL
3	R11200650	1	SPRITZER EXTENSION
4	R11202270	1	SPRITZER UNION
5	R11200001	1	COOKING CABINET ASSEMBLY
6	R11200011	1	COOKING CABINET ASSEMBLY
7	R11200350	1	FAN GUARD PANEL ASSEMBLY
8	R11200710	1	RIGHT SIDE PANEL
9	R11200750	1	LEFT SIDE PANEL
10	R11401970	1	REAR PANEL
11	R11215130	1	COVER PANEL
12	R58003110	2	FAN GUARD FASTENING SCREW
13	R70044100	1	FRONT GASKET
14	R75300030	1	FAN GUARD GRID Ø 190
15	R69180150	1	DRIP TRAY
16	R11200420	1	REMOVABLE RACK DX
17	R11200430	1	REMOVABLE RACK SX

POS.	CODE	PIECES	DESCRIPTION



POS.	CODE	PIECES	DESCRIPTION
1	R11101420	1	DOOR
2	R11215400	1	INNER DOOR PANEL
3	R69180160	1	INNER DOOR PANEL DRIP TRAY
4	R69180000	1	DOOR DRIP TRAY DRAINAGE
5	R11100130	1	INNER DOOR GLASS
6	R58001760	2	INNER GLASS SOLID HINGE
7	R58001770	2	INNER GLASS HINGE PIN
8	R58001780	2	INNER GLASS CATCH KIT
9	R11401340	1	TOP "C" PROFILE
10	R11401360	1	LOWER "C" PROFILE
11	R11207240	1	LOWER DOOR HINGE
12	R58002670	1	LOWER HINGE PIN
13	R11200560	1	UPPER DOOR HINGE
14	R58002150	2	HINGE PIN
15	R58004050	1	NUT FOR UPPER DOOR HINGE
16	R10401710	1	WASHER FOR UPPER DOOR HINGE
17	R70050100	6	GLASS SILICON SPACERS
18	R70044150	1	GLASS GASKET
19	R66110310	1	DOOR LAMPS CABLE SET

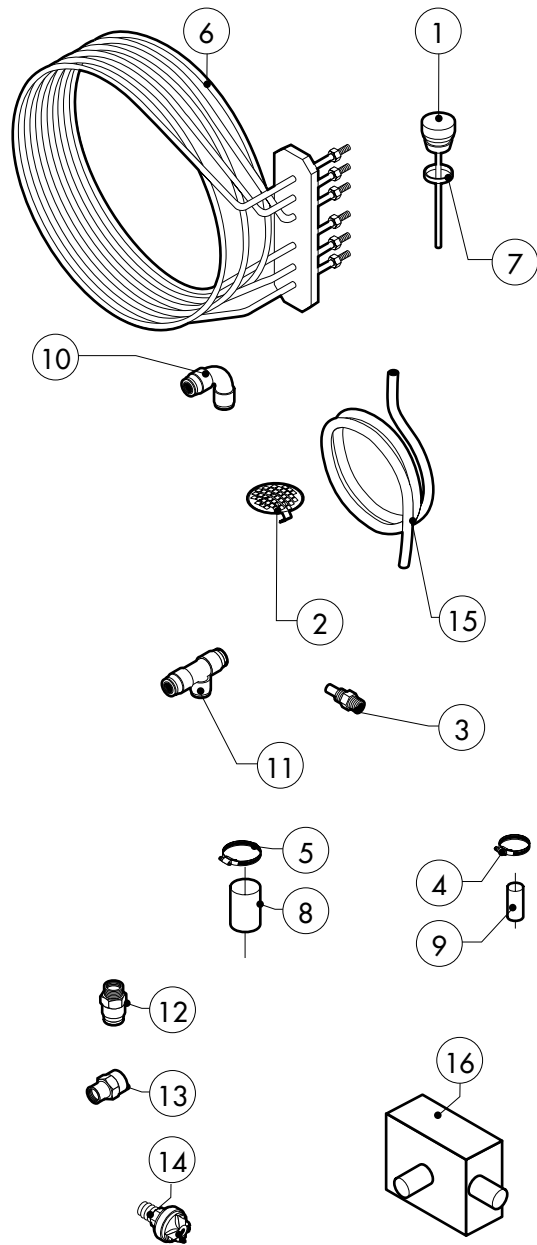
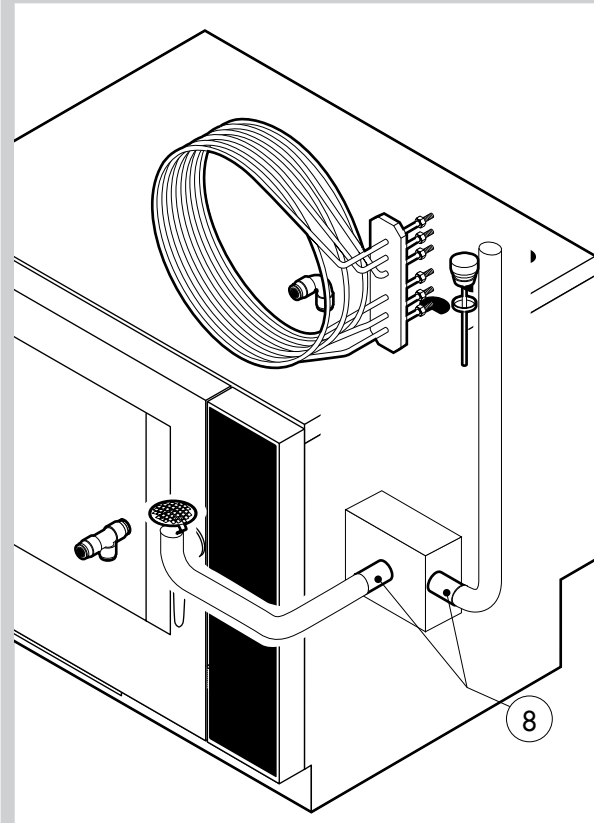
POS.	CODE	PIECES	DESCRIPTION
20	R11401440	1	LAMP COVER
21	R71500150	1	GLASS LAMP
22	R70044200	1	LAMP GASKET
23	R11401450	1	GLASS HOLDER LAMP FLANGE
24	R65270020	1	LIGHT 20W 12V G4
25	R65270450	1	LIGHT SOCKET
26	R65260750	1	LAMPS CONTACT BLOCK
27	R66110300	1	LAMPS CONTACT CABLE SET
28	R11100300	1	DOOR HANDLE ASSEMBLY
29	R69010260	1	DOOR LATCH 1 STEP
30	R69010270	1	DOOR LATCH 2 STEP
31	R69010250	1	DOOR CATCH KIT
32	R69010630	1	INNER DOOR CATCH PLASTIC COVER
33	R61620132	1	PRONG FLANGE



POS.	CODE	PIECES	DESCRIPTION
1	R58003860	1	MOTOR GASKET BRASS FLANGE
2	R58003870	1	MOTOR GASKET BRASS COUNTER FLANGE
3	R61400052	1	FAN WASHER Ø 21/10.5
4	*R65040421	1	MOTOR KW 025 2P 220-240V KIT
5	R65060050	2	COMPONENTS VENTILATION MOTOR Ø 120
6	R65070350	1	CHAMBER SAFETY THERMOSTAT
7	R65095000	1	DAMPER SYSTEM
8	R65110230	1	SOLENOID VALVE 220V 50HZ
9	R65110200	1	SOLENOID VALVE 220V 50HZ
10	R65110500	1	10 LT/H WATER FLOW REDUCER
11	*R65140380	5	CONTACTOR 3RT1016-1AP02 240V
12	*R65160320	1	THERMIC PROTECTION T12-211S-2A
13	*R65140420	1	AUX.CONTACT 1L+1R 3RH1911-1FA11
14	R65180420	2	TRANSFORMER 20VA
15	R65200200	1	FUSE 2A
16	R65200320	1	FUSE 0.200A (T)
17	R65200086	1	FUSE 0.125A (T)
18	R65210020	3	FUSE CARRIER
19	R65220091	1	TERMINAL BOARD

POS.	CODE	PIECES	DESCRIPTION
20	R65265100	1	DOOR SWITCH
21	*R65280200	3	INTERFERENCE SUPPRESSOR
22	*R65280490	1	FERRITE FT35
23	R65320220	2	PROBE K
24	R70020040	1	MOTOR GASKET
25	*R75400490	1	FAN Ø 220x80/8 50HZ P.D. KIT
26	R75400530	1	FAN Ø 220x80/8 60HZ P.D. KIT
27	R65190180	1	CAPACITOR 10 µF

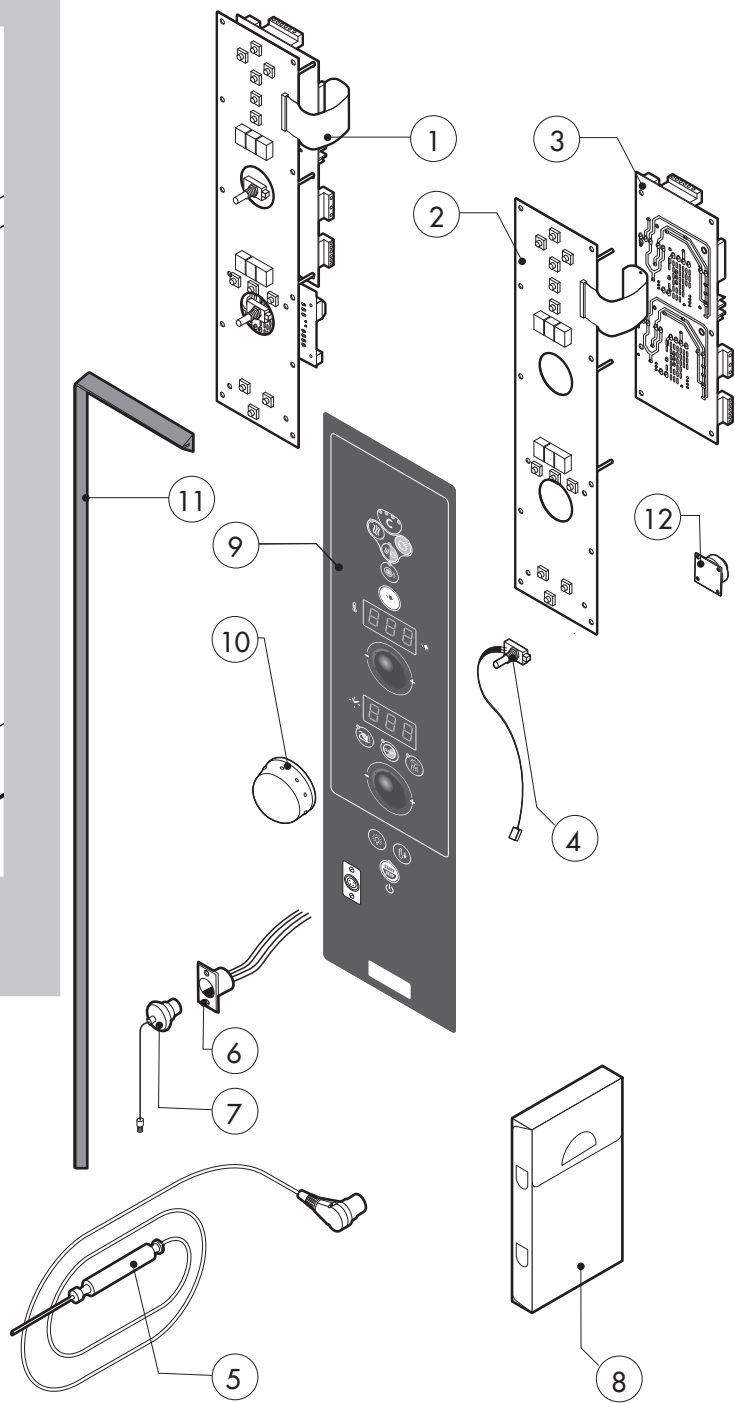
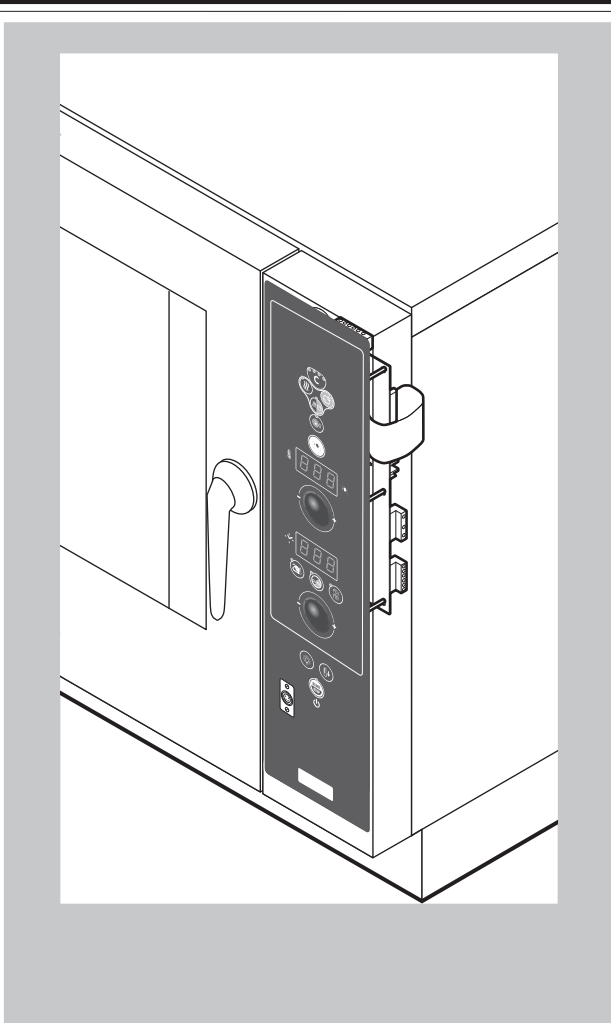
*COMPONENT SUBMITTED TO CHANGEMENTS CAUSED BY TENSION DIFFERENT FROM THE STANDARD (3N AC 400V 50HZ)



POS.	CODE	PIECES	DESCRIPTION
1	R10100140	1	DAMPER SYSTEM CAP
	R10201700	1	DRAIN FILTER
3	R58006130	2	STEAM QUENCHING NOZZLE Ø 1
4	R61630011	2	METAL CLAMPS 12-22/9
5	R61630031	4	METAL CLAMPS 40-60/9
6	*R65011540	1	CHAMBER HEATING ELEMENT 7500W
7	R70060020	1	DAMPER SYSTEM CAP GASKET
8	R70060040	2	SILICON COUPLING Ø 50
9	R70060080	1	SILICON COUPLING Ø 13
10	R62090478	5	ELBOW MIDLING PIPE FITTING D.10
11	R62090468	1	"T" MIDLING PIPE FITTING D.10
12	R62090508	1	10X1/4 STRAIGHT THREADED TERMINAL PIPE FITTING
13	R62030118	1	1/8"-1/4" FEMALE REDUCTION COUPLING
14	R63070050	1	WATER SAFETY PRESSURE SWITCH 1/8" 0,5-0,35 BAR
15	R70070050	1	PE D.10 MM X7 WATER FLEXIBLE PIPE (3 MT LONG)
16	R69180100	1	QUENCHING-DRAIN COLLECTOR

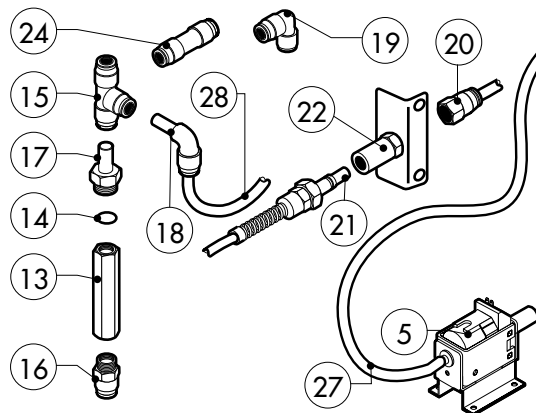
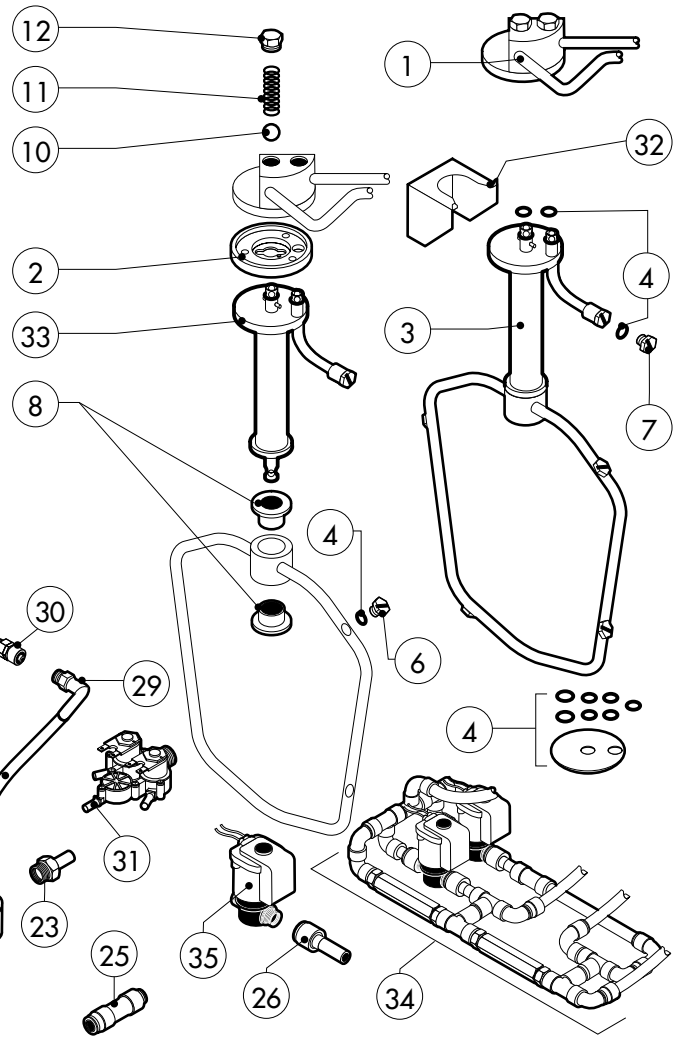
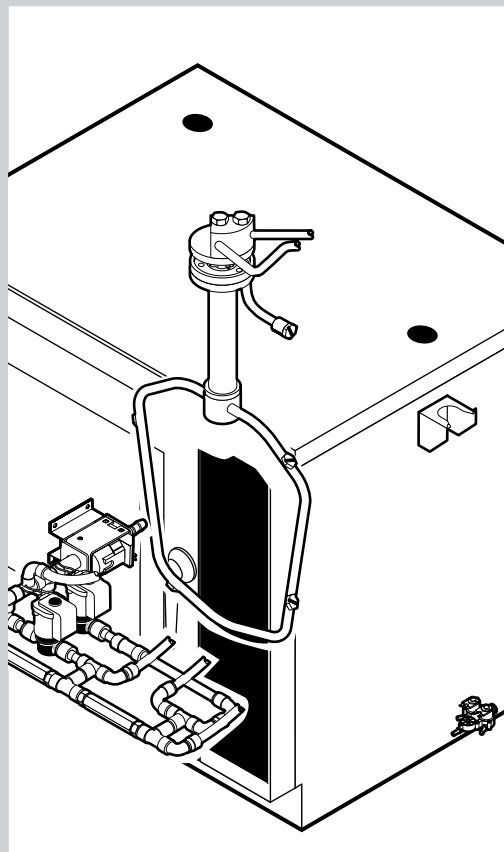
POS.	CODE	PIECES	DESCRIPTION

*COMPONENT SUBMITTED TO CHANGEMENTS CAUSED BY TENSION DIFFERENT FROM THE STANDARD (3N AC 400V 50HZ)



POS.	CODE	PIECES	DESCRIPTION
1	R65302100	1	CONTROL PANEL P.C. BOARD "S" MOD
2	R65302240	1	RELAY PC BOARD "S" MOD
3	R65302250	1	MAIN PC BOARD "S" MOD
4	R65301940	2	FRONT PC BOARD ENCODER
5	R65321120	1	CORE TEMPERATURE PROBE
6	R65320920	1	CORE TEMPERATURE PROBE FEMALE CONNECTOR
7	R65321020	1	COVER FOR FEMALE CONNECTOR
8	R86020420	1	CORE TEMPERATURE PROBE BOX
9	-	1	PLATE "S"
10	R69030280	2	KNOB
11	R70044260	1	CONTROL PANEL GASKET
12	R65301960	1	PC BOARD BUZZER

POS.	CODE	PIECES	DESCRIPTION



POS.	CODE	PIECES	DESCRIPTION
1	R11200871	1	WASHING SYSTEM EXTERNAL ASSEMBLY
2	R58004960	1	WASHING SYSTEM INNER FLANGE
3	R11100500	1	WASHING DEVICE ASSEMBLY
4	R70045090	1	GASKETS KIT
5	R65110600	1	DETRGENT PUMP
6	R62210032	4	1,3 L/MIN RINSING JET
7	R62210042	1	0,56 L/MIN DETERGENT JET
8	R58004980	2	WASHING DEVICE ROTATION BUSH
9	R65110650	1	BOTTOM FILTER
10	R62220012	2	SPHERA D.14
11	R61620041	2	SPRING
12	R58005000	2	1/2" MALE COVER
13	R65110640	2	ANTI-BACK FLOW
14	R70010050	4	OR GASKETS
15	R62090468	5	"T" MIDDLING PIPE FITTING D.10
16	R62090508	1	10X1/4 STRAIGHT THREADED TERMINAL PIPE FITTING
17	R62090518	3	10X1/4 END SIDE PIPE FITTING (WITH TANG)
18	R62090528	10	ELBOW PIPE FITTING (WITH TANG) 10 X 10
19	R62090478	4	ELBOW MIDDLING PIPE FITTING D.10

POS.	CODE	PIECES	DESCRIPTION
20	R62090538	1	1/4" FEMALE STRAIGHT PIPE FITTING FOR D.8X6 PIPE
21	R62090482	1	RAPID MALE PIPE FITTING
22	R62090492	1	RAPID FEMALE PIPE FITTING
23	R62090608	1	8X1/8 END SIDE PIPE FITTING (WITH TANG)
24	R62090458	1	STRAIGHT MIDDLING PIPE FITTING D.10
25	R62090618	1	10-8 REDUCTION PIPE FITTING
26	R62090548	4	10-6 REDUCTION PIPE FITTING
27	R70070100	1	PE D.8 MM X 6 DETERGENT FLEXIBLE PIPE
28	R70070050	1	PE D.10 MM X7 WATER FLEXIBLE PIPE (3 MT LONG)
29	R62090648	1	ELBOW PIPE FITTING
30	R62090658	1	1/8" FEMALE STRAIGHT PIPE FITTING FOR D.8X6 PIPE
31	R65110240	1	SOLENOID VALVE 220V 50HZ WITH FLOW REDUCER
32	R11402000	1	WASHING DEVICE EXTERNAL HOLDER
33	R11100560	1	TUBE DEVICE SUPPORT WASHING
34	R62300028	1	ANTI-BACK FLOW DEVICE ASSEMBLY
35	R65110260	2	SOLENOID VALVE D.6 220V 50HZ