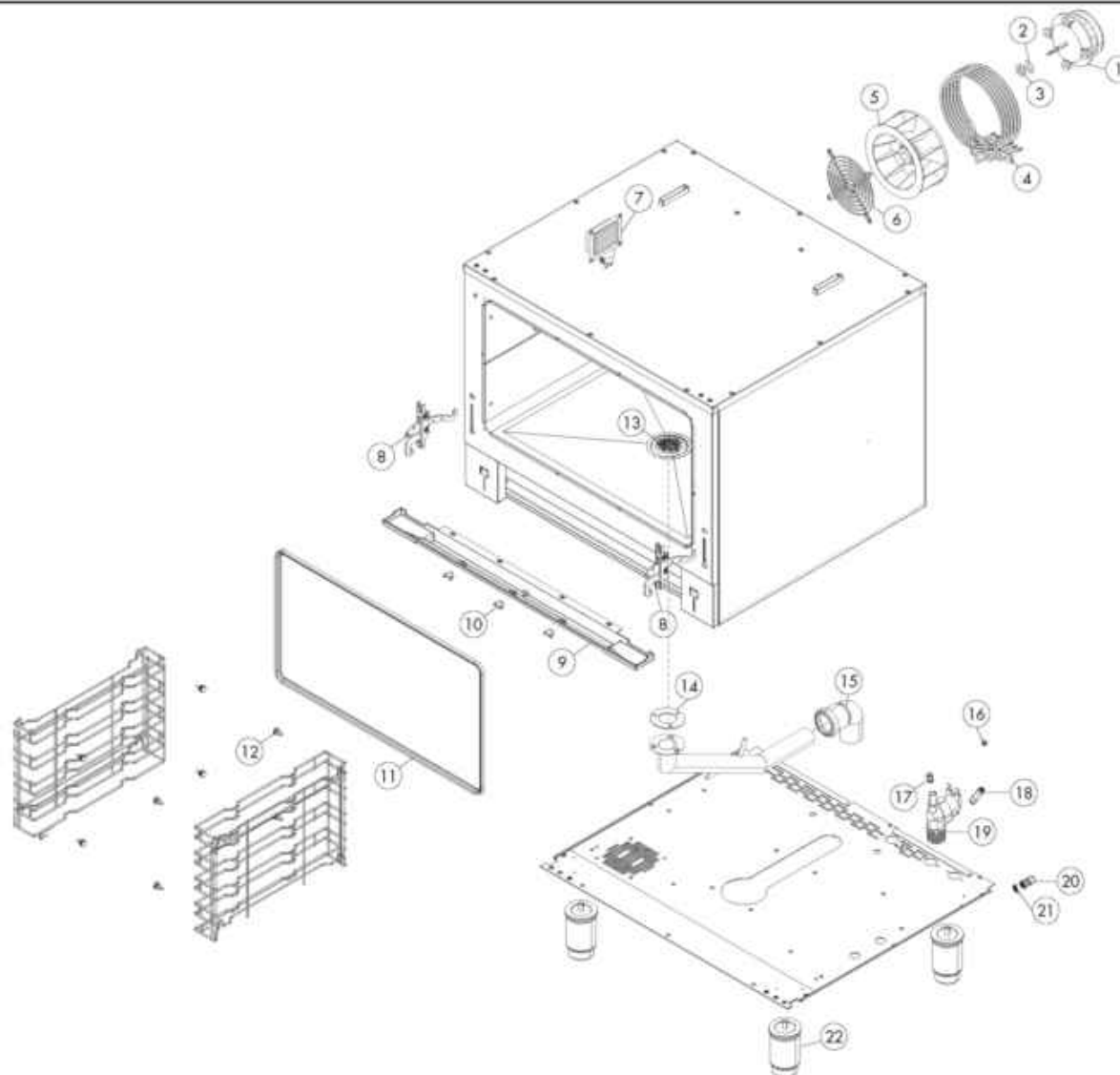


ATTENZIONE: PER TENSIONI SPECIALI, SPECIFICARE SEMPRE IL MODELLO DI FORNO ED IL NUMERO DI MATRICOLA
ATTENTION: FOR SPECIAL VOLTAGES, PLEASE ALWAYS SPECIFY THE OVEN MODEL AND THE SERIAL NUMBER

ATTENTION: POUR TENSIONS SPÉCIALES, MERCI DE SPÉCIFIER TOUJOURS LE MODÈLE DU FOUR ET LE NUMÉRO DE SÉRIE
ACHTUNG: BEI SONDRSPANNUNGEN, BITTE IMMER OFEN-MODELL UND SERIENNUMMER GEBEN

ed.1215



TAV. A

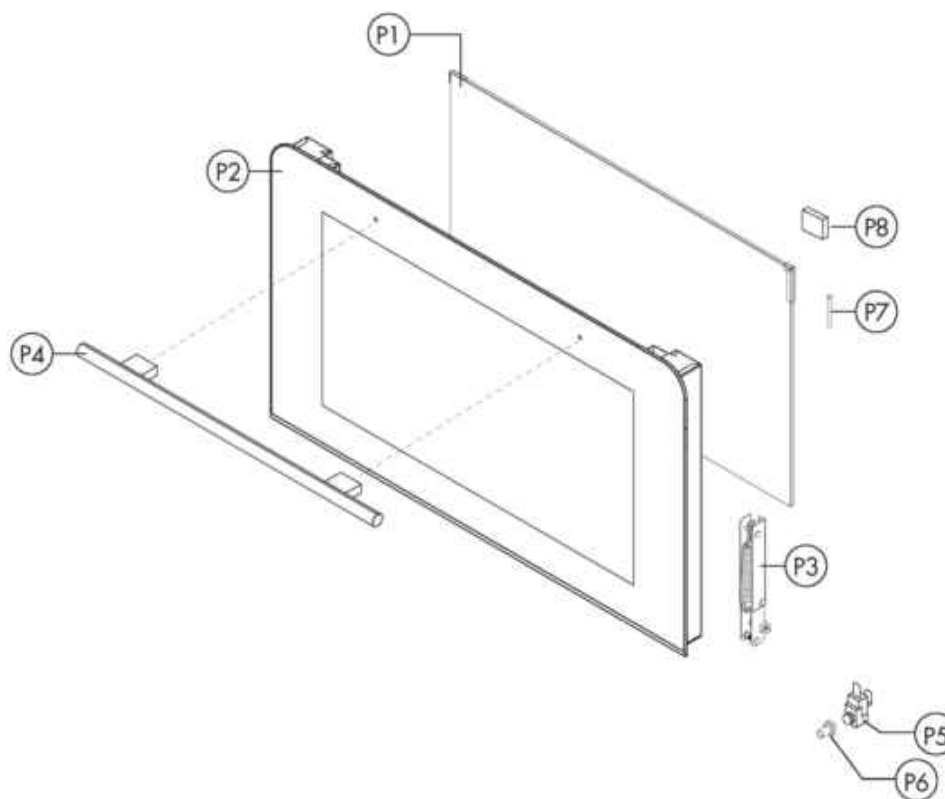
ICEM041

Pos.	Code	Codice precedente	Description	Notes	From:	To:
0001	LAR65041040		MOTOR [C] 1F.125Win-75Wout 2 VEL			
0002	LAR58005500		SEAT [C]			
0003	LA70020020	LAR70020020	GASKET [C] 8X22			
0004	LA65011780	LAR65011780	HEATING ELEMENT [C] 6000W230V C/ FASTON CHAMBER ICON 2015			
0005	LA75400410	LAR75400410	FAN [C] D. 180X77 50HZ	50Hz		
0007	LAR65270510		LAMP HOLDER [C]			
0009	LAR69180260		OVEN DRAIN CONTAINER [C]			
0010	LA69180310	LAR69180310	CAP [C]			
0011	LA70044790	LAR70044790	GASKET [C] ICON 041 2015			
0013	LA10201700	LAR10201700	FILTER [C] D.76/44.5 M/106-11			
0014	LA70030170		GASKET [C] 76X40,3X3			
0015	LA62280028	LAR62280028	CURVE [C] D.40 D.40X			
0016	LA65110500	LAR65110500	REGULATOR [C]			
0017	LAR62090508		CONNECTOR [C]			
0019	LA65110200	LAR65110200	SOLENOID VALVE [C] 220V 50HZ 1 WAY			
0020	LAR65240200		FAIRLEAD [C] V-TEC 21			
0021	LAR65240210		CONTRODADO 116/21 N			
0022	LA69070170	LAR69070170	FOOT [C] 13/4 A304			

ATTENZIONE: PER TENSIONI SPECIALI, SPECIFICARE SEMPRE IL MODELLO DI FORNO ED IL NUMERO DI MATRICOLA
ATTENTION: FOR SPECIAL VOLTAGES, PLEASE ALWAYS SPECIFY THE OVEN MODEL AND THE SERIAL NUMBER

ATTENTION: POUR TENSIONS SPÉCIALES, MERCI DE SPÉCIFIER TOUJOURS LE MODÈLE DU FOUR ET LE NUMÉRO DE SÉRIE
ACHTUNG: BEI SONDRERSPANNUNGEN, BITTE IMMER OFEN-MODELL UND SERIENNUMMER GEBEN

ed.1215

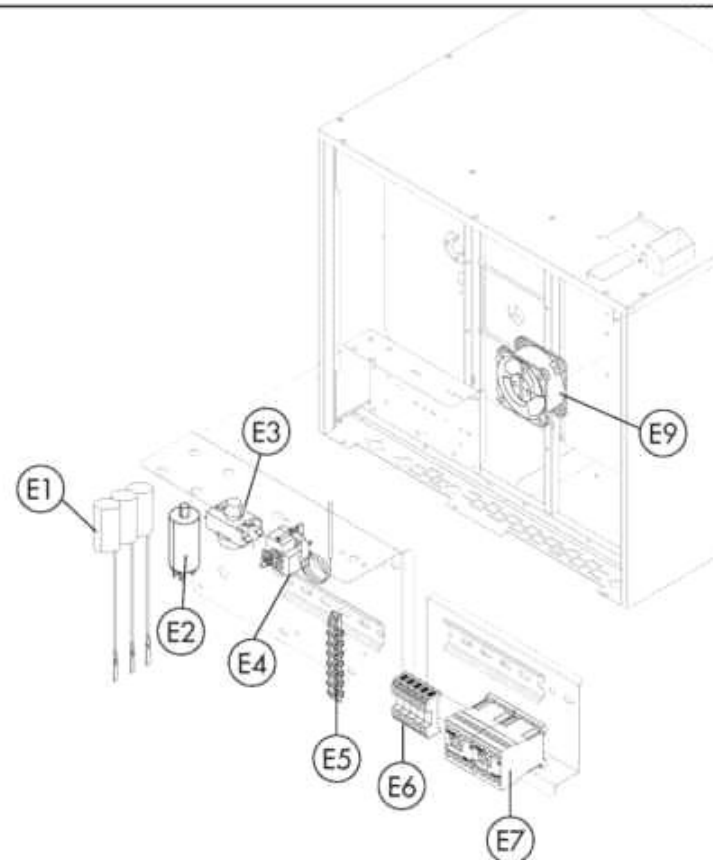
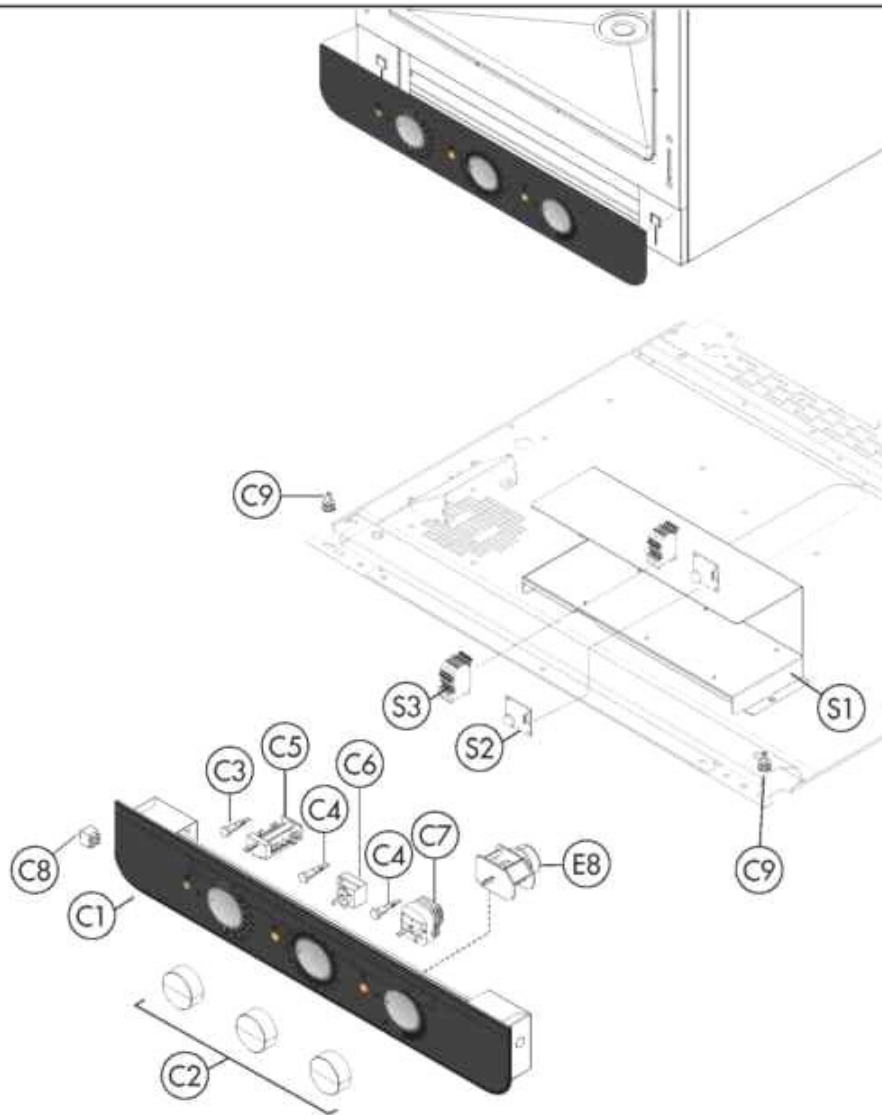


Pos.	Code	Codice precedente	Description	Notes	From:	To:
OOP2	LAR17108250		DOOR [C] 041			
OOP2	LAR17108251		DOOR [C] 041		10/3/2016	
OOP2	LAR17108290		DOOR [C] 041			
OOP2	LAR17108291		DOOR		10/3/2016	
OOP2	LAR17108300		PORTA COMPLETA NEUTRA ICON 041			
OOP2	LAR17108301		DOOR [C] ICON 041		10/3/2016	
OOP2	LAR17108670		PORTA COMPLETA ALPHATEC LN ICON 041			
OOP2	LAR17108671		PORTA COMPLETA ALPHATEC LN ICON 041		10/3/2016	
OOP4	LAR69030360		MANIGLIA PORTA RIBALTA ICON 023/041 2015			
OOP5	LAR65260540		MICROSWITCH [C]			
OOP6	LA58001860	LAR58001860	PIN [C]			
OOP7	LA58001770	LAR58001770	PIN [C]			
OOP8	LAR70050180		SPACER [C] GLASS 15x8 M4x12 A2			

ATTENZIONE: PER TENSIONI SPECIALI, SPECIFICARE SEMPRE IL MODELLO DI FORNO ED IL NUMERO DI MATRICOLA
ATTENTION: FOR SPECIAL VOLTAGES, PLEASE ALWAYS SPECIFY THE OVEN MODEL AND THE SERIAL NUMBER

ATTENTION: POUR TENSIONS SPÉCIALES, MERCI DE SPÉCIFIER TOUJOURS LE MODÈLE DU FOUR ET LE NUMÉRO DE SÉRIE
ACHTUNG: BEI SONDRSPANNUNGEN, BITTE IMMER OFEN-MODELL UND SERIENNUMMER GEBEN

ed.1215



TAV. C

ICEM041

Pos.	Code	Codice precedente	Description	Notes	From:	To:
00C1	LAR17410690		FRONT PANEL [C] ICEM041			
00C1	LAR17410690A		FRONT PANEL [C] ICEM041			
00C2	LA69030350	LAR69030350	KNOB [C] ICON 2015			
00C3	LA65270350	LAR65270350	GREEN PILOT LAMP [C]			
00C4	LA65270330	LAR65270330	YELLOW PILOT LAMP [C]			
00C5	LA65080020	LAR65080020	COMMUTATOR [C] 5 POSITIONS			
00C6	LA65070511	LAR65070511	THERMOSTAT [C] 50Å°-280Å°C KT170 CLA			
00C7	LA65090110	LAR65090110	TIMER [C] 120'	50Hz		
00C8	LAR65260210		SWITCH [C] BIPOLAR			
00C8	LAR65260310		DEVIATORE A LEVA X ICON MECCANICI			
00C9	LA69010990	LAR69010990	KNOB [C] M5x10			
00E1	LA65280200	LAR65280200	FILTER [C] Cx=0,47Å F Cy=2X10nF			
00E2	LA65190080	LAR65190080	CONDENSER [C] 5ÅµF V425-B			
00E3	LA65070451		TERMOST.SICUR.UNIPOLARE 335Å°C POSITIVO			
00E4	LA65070165	LAR65070165	THERMOSTAT [C] 65Å°C			
00E5	LA65220360	LAR65220360	TERMINAL BOARD [C] 7 PINS			
00E7	LA65140700	LAR65140700	SWITCH [C] M9-01 4KW-20A			
00E8	LA65090170	LAR65090170	INVERTER [C] 8' 3 CAMS			
00E9	LA65060050	LAR65060050	FAN [R] D. 120			
00S1	LAR17108080		BOARD [C]			
00S2	LAR65302610		BOARD [C] BUZZER 20 ELSAP			
00S3	LA65210020	LAR65210020	FUSE CARRIER [C] 5X20			