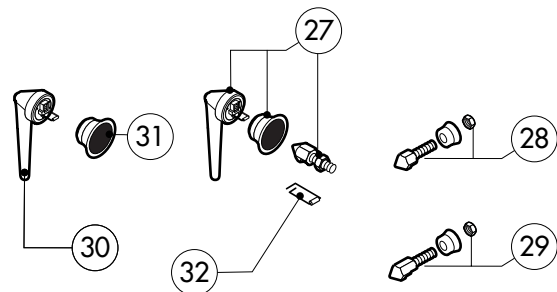
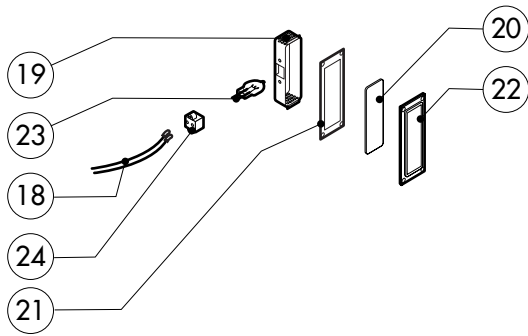
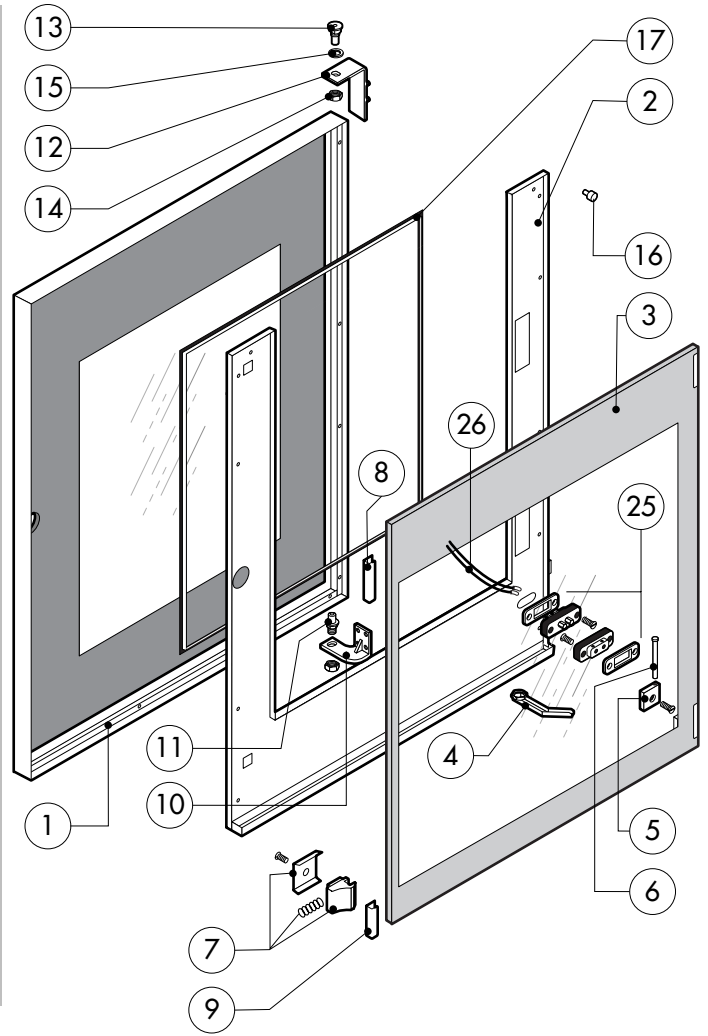
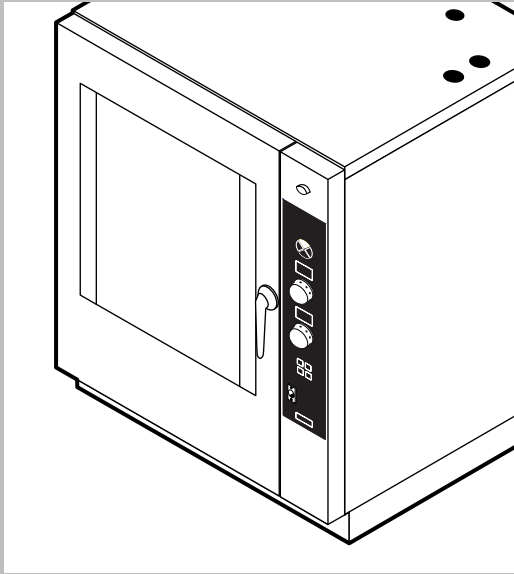


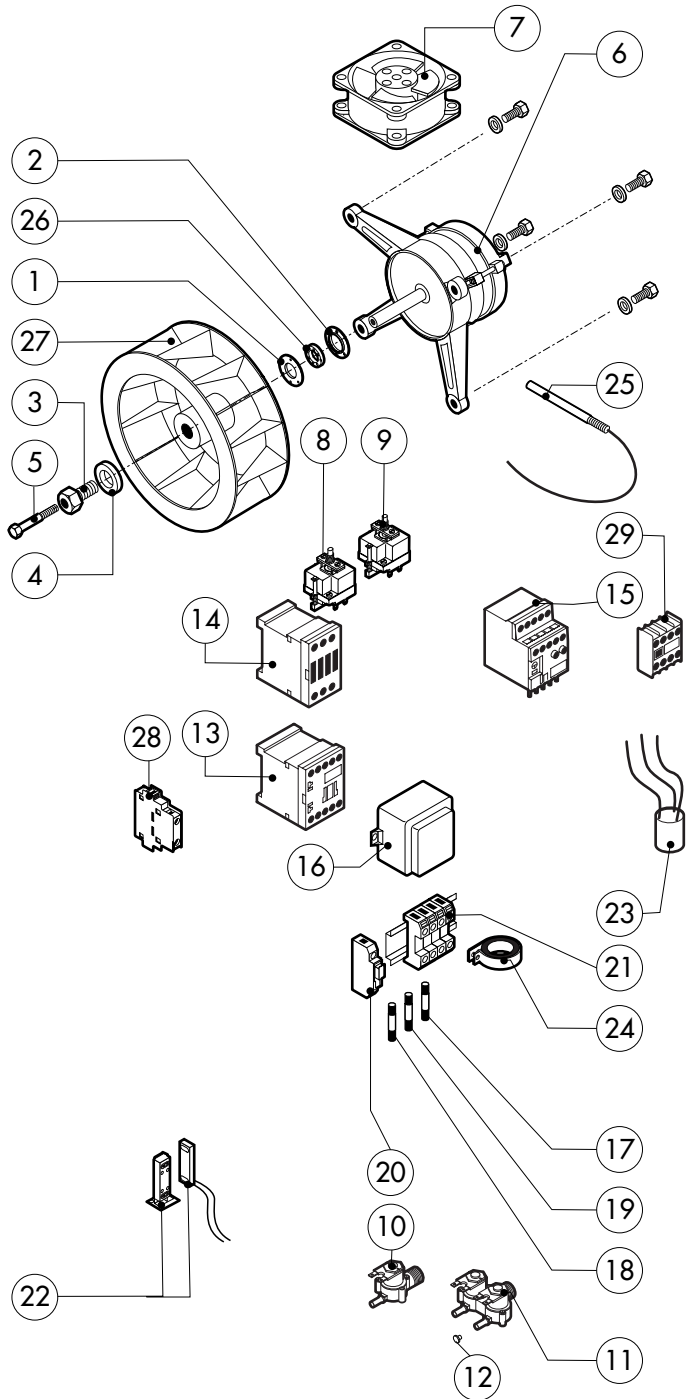
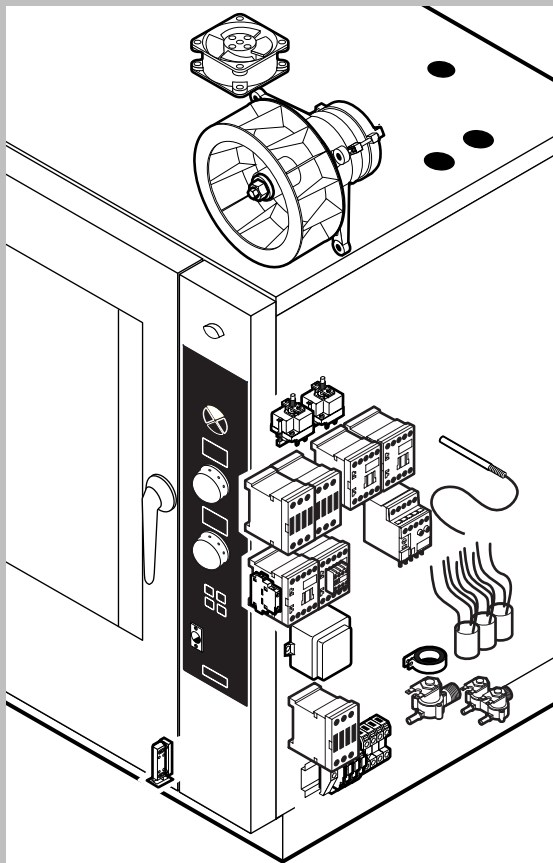
POS.	CODE	PIECES	DESCRIPTION
1	R11101070	1	DOOR ASSEMBLY UNTIL CRXXXXXX0
	R11101130	1	DOOR ASSEMBLY FROM CRXXXXXX1
2	R11207420	1	CONTROL PANEL UNTIL CRXXXXXX0
	R11207430	1	CONTROL PANEL FROM CRXXXXXX1
3	R11201970	1	SPRITZER EXTENSION
4	R11200380	1	SPRITZER UNION
5	R11201500	1	COOKING CABINET ASSEMBLY
6	R11201800	1	FAN GUARD PANEL ASSEMBLY
7	R11414880	1	RIGHT SIDE PANEL UNTIL CRXXXXXX0
	R11202130	1	RIGHT SIDE PANEL FROM CRXXXXXX1
8	R11414890	1	LEFT SIDE PANEL UNTIL CRXXXXXX0
	R11202140	1	LEFT SIDE PANEL FROM CRXXXXXX1
9	R11414900	1	REAR PANEL UNTIL CRXXXXXX0
	R11403990	1	REAR PANEL FROM CRXXXXXX1
10	R11201610	1	COVER PANEL UNTIL CRXXXXXX0
	R11202060	1	COVER PANEL FROM CRXXXXXX1
11	R58003100	2	FAN GUARD FASTENING SCREW
12	R70044110	1	FRONT GASKET
13	R75300090	1	FAN GUARD GRID Ø 350

POS.	CODE	PIECES	DESCRIPTION
14	R11201780	1	REMOVABLE RACK DX
15	R11201790	1	REMOVABLE RACK SX



POS.	CODE	PIECES	DESCRIPTION
1	R11101370	1	DOOR UNTIL CRXXXXXX0
	R11101440	1	DOOR FROM CRXXXXXX1
2	R11207360	1	INNER DOOR PANEL UNTIL CRXXXXXX0
	R11202160	1	INNER DOOR PANEL FROM CRXXXXXX1
3	R11100140	1	INNER DOOR GLASS
4	R69180000	1	DOOR DRIP TRAY DRAINAGE
5	R58001760	2	INNER GLASS SOLID HINGE
6	R58001770	2	INNER GLASS HINGE PIN
7	R58001780	2	INNER GLASS CATCH KIT
8	R11401340	1	TOP "C" PROFILE
9	R11401360	1	LOWER "C" PROFILE
10	R11207250	1	LOWER DOOR HINGE UNTIL CRXXXXXX0
	R11207240	1	LOWER DOOR HINGE FROM CRXXXXXX1
11	R58002520	1	LOWER HINGE PIN UNTIL CRXXXXXX0
	R58002670	1	LOWER HINGE PIN FROM CRXXXXXX1
12	R11200560	1	UPPER DOOR HINGE
13	R58002150	1	HINGE PIN
14	R58004050	2	NUT FOR UPPER DOOR HINGE
15	R10401710	1	WASHER FOR UPPER DOOR HINGE

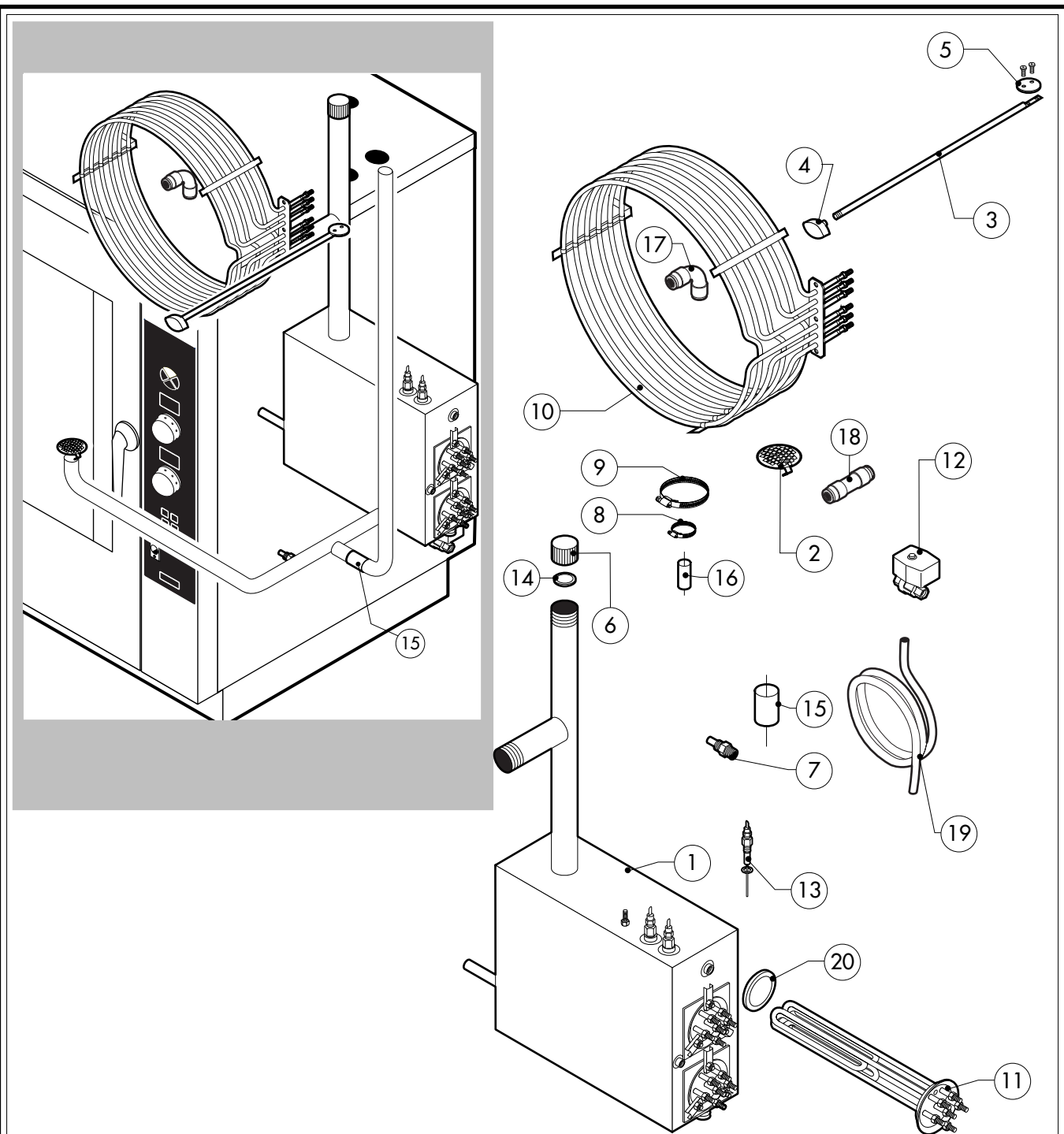
POS.	CODE	PIECES	DESCRIPTION
16	R70050100	6	GLASS SILICON SPACERS
17	R70044150	1	GLASS GASKET
18	R66110320	1	DOOR LAMPS CABLE SET
19	R11401440	2	LAMP COVER
20	R71500150	2	GLASS LAMP
21	R70044200	2	LAMP GASKET
22	R11401450	2	GLASS HOLDER LAMP FLANGE
23	R65270020	2	LIGHT 20W 12V G4
24	R65270450	2	LIGHT SOCKET
25	R65260750	1	LAMPS CONTACT BLOCK
26	R66110320	1	LAMPS CONTACT CABLE SET
27	R11100300	1	DOOR HANDLE ASSEMBLY
28	R69010260	1	DOOR LATCH 1 STEP
29	R69010270	1	DOOR LATCH 2 STEP
30	R69010250	1	DOOR CATCH KIT
31	R69010630	1	INNER DOOR CATCH PLASTIC COVER
32	R61620132	1	PRONG FLANGE



POS.	CODE	PIECES	DESCRIPTION
1	R58003840	1	MOTOR GASKET BRASS FLANGE
2	R58003850	1	MOTOR GASKET BRASS COUNTER FLANGE
3	R58004000	1	FAN SCREW M12x1.5 SX
4	R58004010	1	FAN WASHER Ø 30/12.5
5	R61020562	1	FAN SCREW TE A2 M6x55
6	*R65040530	1	MOTOR 055/015 KW KIT
7	R65060050	2	COMPONENTS VENTILATION MOTOR Ø 120
8	R65070350	1	CHAMBER SAFETY THERMOSTAT
9	R65070081	1	STEAM GENERATOR SAFETY THERMOSTAT
10	R65110200	1	SOLENOID VALVE 220V 50HZ
11	R65110210	1	SOLENOID VALVE 220V 50HZ WITH FLOW REDUCER
12	R65110510	1	15 LT/H WATER FLOW REDUCER
13	*R65140380	4	CONTACTOR 3RT1016-1AP02 240V
14	*R65140400	3	CONTACTOR 3RT1025-1AL20 240V
15	*R65160620	1	THERMIC PROTECTION 3RU1116-1BB0 1,4-2,0A
16	R65180430	1	TRANSFORMER 40VA
17	R65200200	1	FUSE 2A
18	R65200090	1	FUSE 0.25A (T)
19	R65200120	1	FUSE 0.1A (T)

POS.	CODE	PIECES	DESCRIPTION
20	R65210020	2	FUSE CARRIER
21	R65220080	1	TERMINAL BOARD
22	R65265100	1	DOOR SWITCH
23	*R65280200	3	INTERFERENCE SUPPRESSOR
24	*R65280450	1	FERRITE
25	R65325000	3	PROBE PT100
26	R70020050	1	MOTOR GASKET
27	*R75400440	1	FAN Ø 350x114/12 50HZ P.D. KIT
28	*R65140420	1	AUX.CONTACT 1L+1R 3RH1911-1FA11
29	*R65140430	1	AUX.CONTACT 1L+1R 3RH1921-1FA11

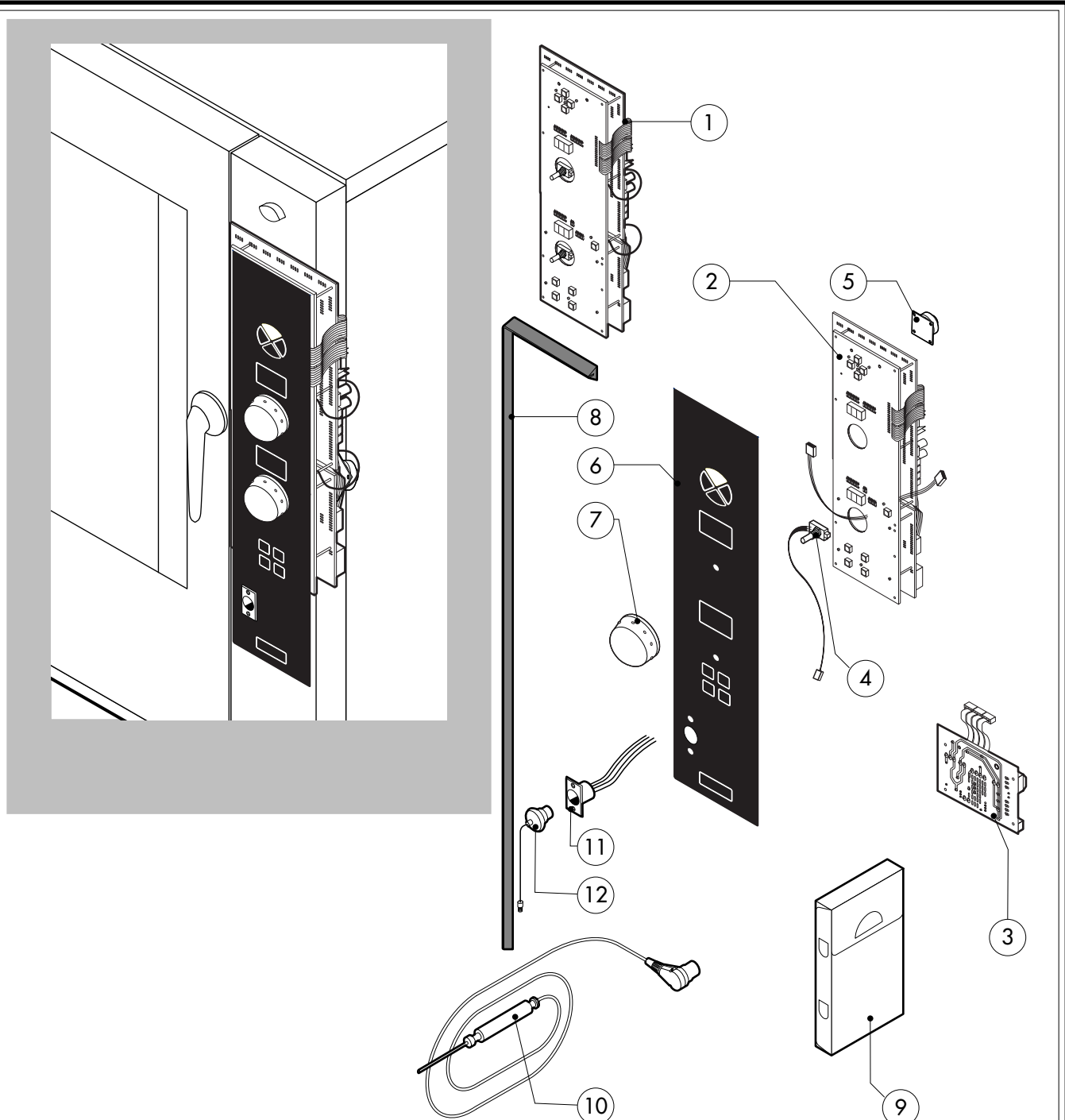
*COMPONENT SUBMITTED TO CHANGEMENTS CAUSED BY TENSION DIFFERENT FROM THE STANDARD (3N AC400V 50HZ)



POS.	CODE	PIECES	DESCRIPTION
1	R11100430	1	STEAM GENERATOR ASSEMBLY
2	R10201700	1	DRAIN FILTER
3	R58003750	1	CHAMBER VENT ROD
4	R69010410	1	STEAM OUTLET KNOB
5	R04403460	1	CHAMBER VENT PLATE Ø 46
6	R58005680	1	STEAM GENERATOR DESCALING CAP 1"1/4 F
7	R58006130	1	STEAM QUENCHING NOZZLE Ø 1
8	R61630011	2	METAL CLAMPS 12-22/9
9	R61630021	2	METAL CLAMPS 30-45/9
10	*R65011310	1	CHAMBER HEATING ELEMENT 1.5000W
11	*R65020350	2	STEAM GENERATOR HEATING ELEMENT 7500W
12	R65110560	1	STEAM GENERATOR DRAIN MOTORIZED VALVE
13	R65320010	2	STEAM GENERATOR LEVEL PROBE
14	R70050040	1	STEAM GENERATOR CAP GASKET
15	R70060010	1	SILICON COUPLING Ø 30
16	R70060080	1	SILICON COUPLING Ø 13
17	R62090478	5	ELBOW MIDLING PIPE FITTING D.10
18	R62090458	1	STRAIGHT MIDLING PIPE FITTING D.10
19	R70070050	1	PE D.10 MM X7 WATER FLEXIBLE PIPE (3 MT LONG)

POS.	CODE	PIECES	DESCRIPTION
20	R70045010	2	STEAM GENERATOR HEATING ELEMENT GASKET

*COMPONENT SUBMITTED TO CHANGEMENTS CAUSED BY TENSION DIFFERENT FROM THE STANDARD (3N AC400V 50HZ)



POS.	CODE	PIECES	DESCRIPTION
1	R65301310	1	CONTROL PANEL P.C. BOARD
2	R65301320	1	RELAY PC BOARD "D" MOD
3	R65301480	1	BOILER CONTROL PC BOARD "H-P" MOD
4	R65301450	2	FRONT PC BOARD ENCODER
5	R65301440	1	PC BOARD BUZZER
6	R67012890	1	LAINOX PLATE
7	R69030260	2	KNOB
8	R70044260	1	CONTROL PANEL GASKET
9	R86020420	1	CORE TEMPERATURE PROBE BOX
10	R65321120	1	CORE TEMPERATURE PROBE
11	R65320920	1	CORE TEMPERATURE PROBE FEMALE CONNECTOR
12	R65321020	1	COVER FOR FEMALE CONNECTOR

POS.	CODE	PIECES	DESCRIPTION