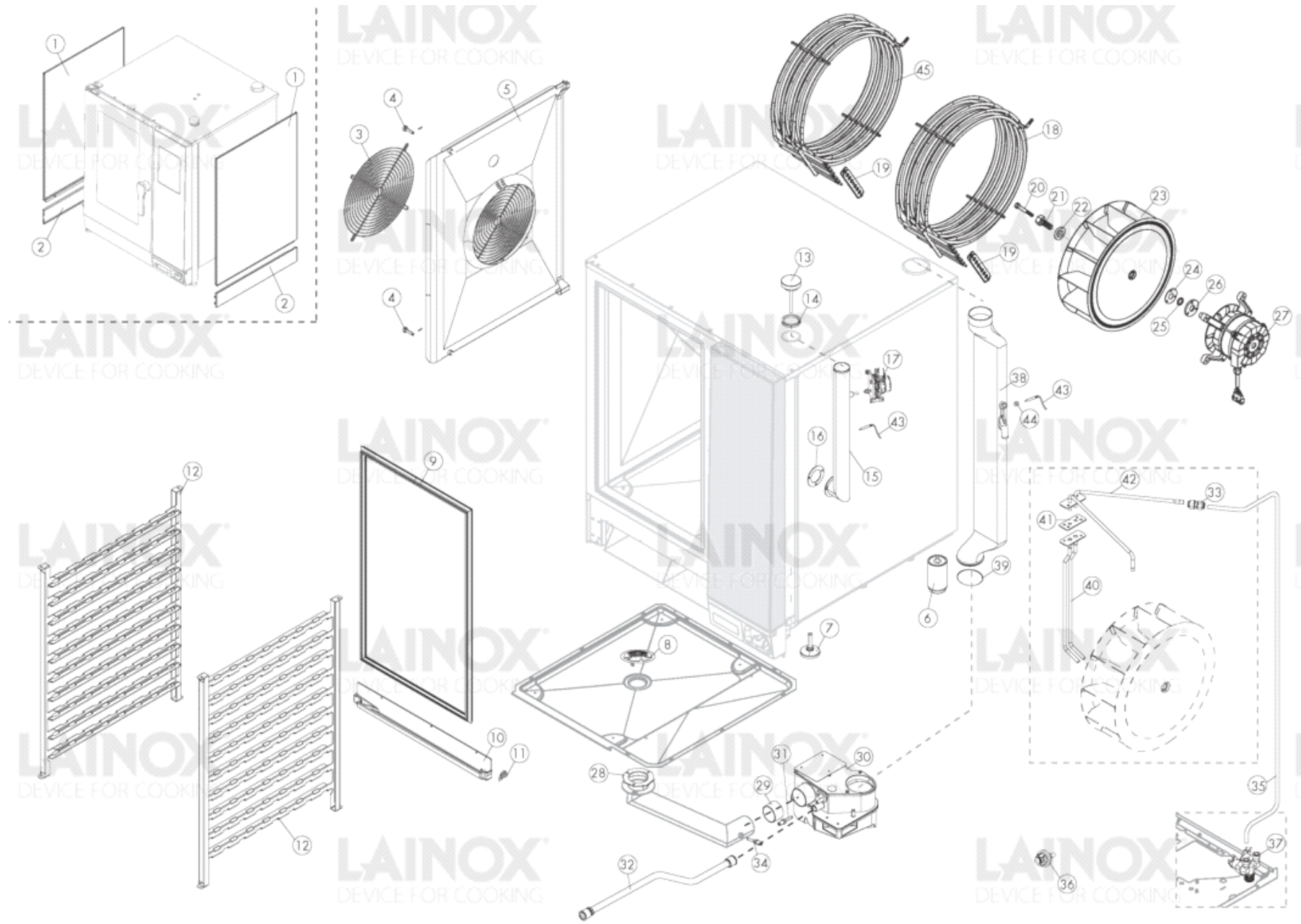


NAE101BS Pic. 1



DX

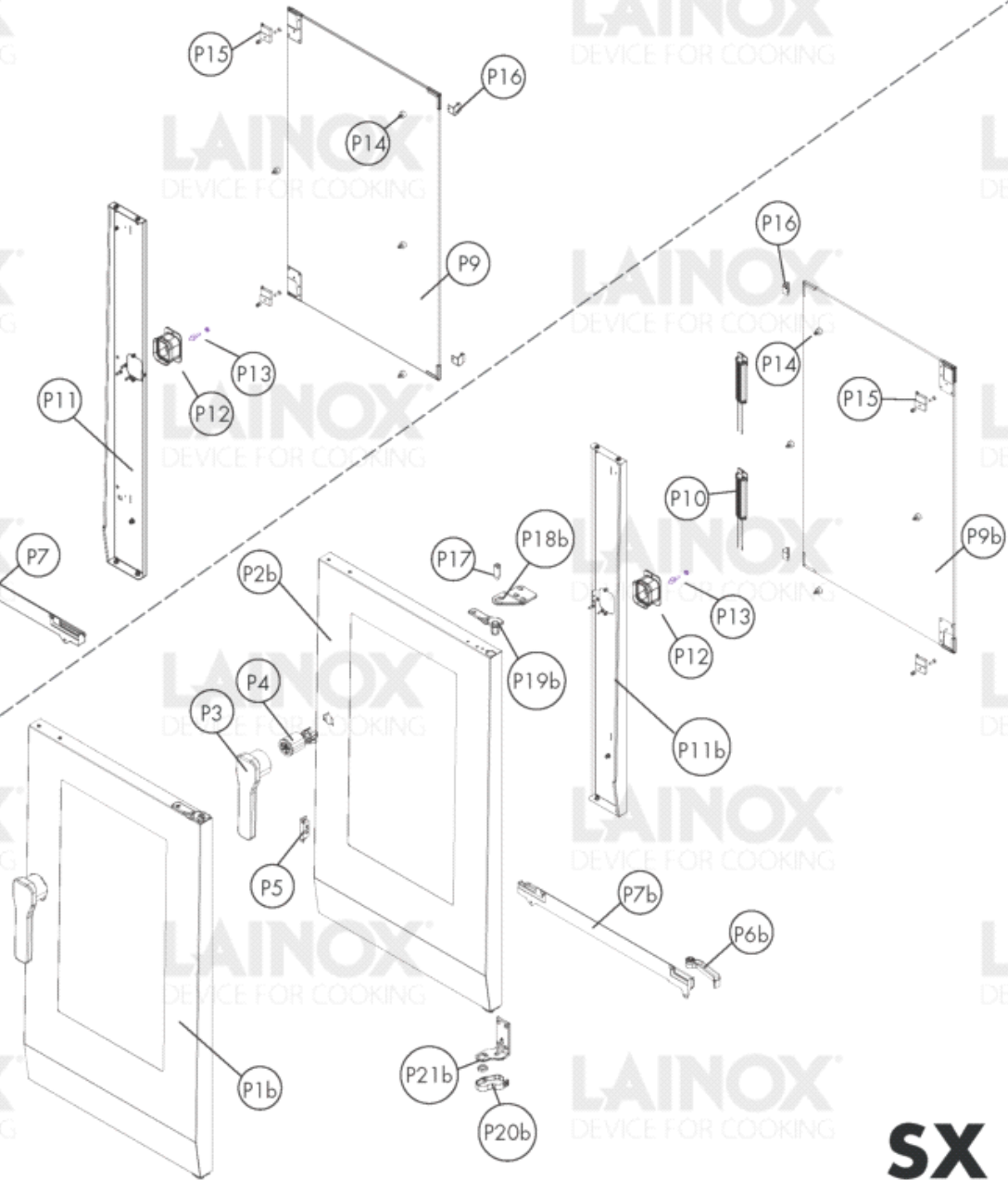
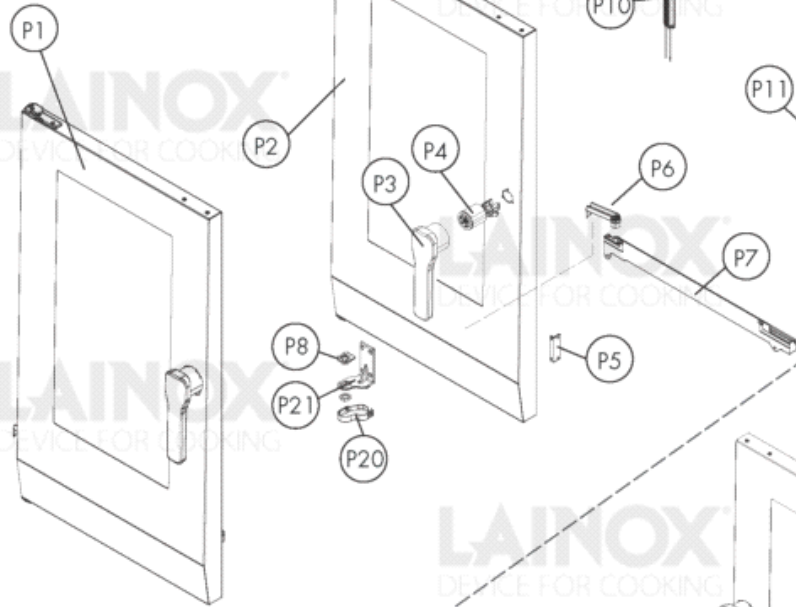
LAINOX
DEVICE FOR COOKING

LAINOX
DEVICE FOR COOKING

LAINOX
DEVICE FOR COOKING

LAINOX
DEVICE FOR COOKING

LA
DEVIC



SX

LA
DEVIC

LAINOX
DEVICE FOR COOKING

LAINOX
DEVICE FOR COOKING

LAINOX
DEVICE FOR COOKING

LAINOX
DEVICE FOR COOKING

LAINOX

LAINOX

LA

