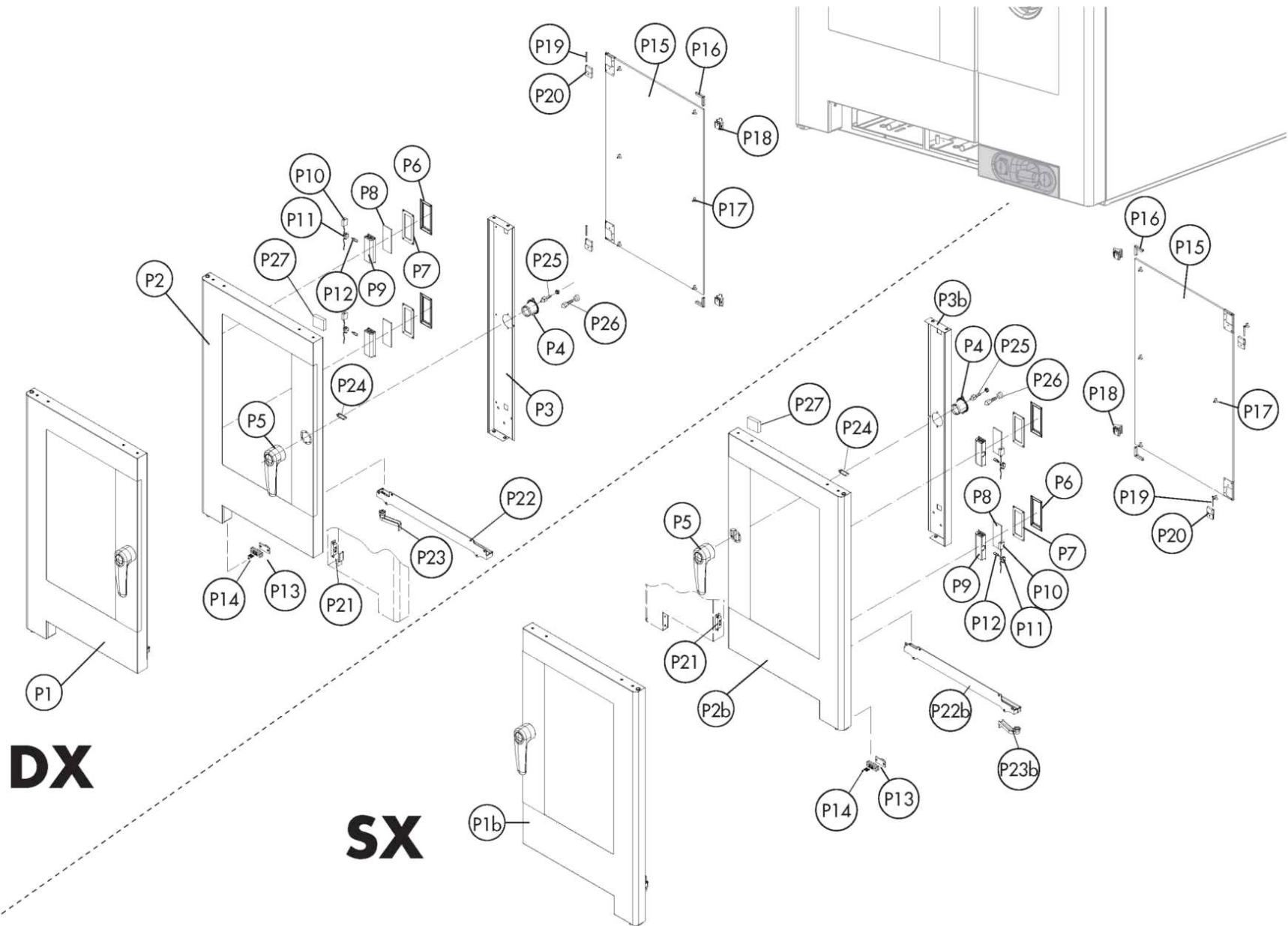


Attenzione! I disegni esplosi si riferiscono al modello generale

TAV. A

Pos.	Code	Codice precedente	Description	Notes	From:	To:
0001	LAR65040600		MOTOR [C] 220/240V 0,25KW F3 2P			
0001	LAR65041300		MOTOR [C] 230V 50/60HZ 0,25KW UL F3 2P	UL Version (USA-CAN)		
0002	LA58003870	LAR58003870	COUNTER FLANGE [C] SMALL			
0003	LA70020040	LAR70020040	GASKET [C]			
0004	LA58003860	LAR58003860	FLANGE [C]			
0005	LA75400570	LAR75400570	FAN [C] D. 240X80 50HZ			
0008	LA65011940	LAR65011940	HEATING ELEMENT [C] 10000W 208V	UL Version 208V (USA-CAN)		
0008	LAR65011930		HEATING ELEMENT [C] 10000W 230V			
0008	LAR65011970		RESISTENZA 10000W277V D8.5 INC.CAM.K_081	UL Version 277V (USA-CAN 3AC 480V)		
0009	LA70010370	LAR70010370	GASKET [C]			
0010	LAR69150110		CAP [C]			
0011	LA70050140	LAR70050140	GASKET [C] BOILER CAP			
0013	LAR58006690		CAP [C] SERIE 2014			
0014	LAR14216700		BOILER [C] GEMT07/NA-SAEB071			
0015	LAR58004040		INOX NUT [C] 3/4X8 M/106-120			
0016	LA65320010	LAR65320010	PROBE [C] LEVEL TL 10/B			
0017	LA65020310	LAR65020310	HEATING ELEMENT [C] 7500W208V BOILER ME/106-110	UL Version 208V (USA-CAN)		
0017	LA65020340	LAR65020340	HEATING ELEMENT [C] 7500W277V BOILER US	UL Version 277V (USA-CAN 3AC 480V)		
0017	LA65020350	LAR65020350	HEATING ELEMENT [C] 7500W230V BOILER ME/105-106			
0018	LAR65110570		VALVE [C] 230V			2/29/2016
0018	LAR65110571		VALVE [C] 230V		3/1/2016	
0019	LA62080093	LAR62080093	JOINT [C] MF 1			
0020	LA65324550	LAR65324550	PROBE [C] LEVEL CALOUT TL 10/B EL=20 TF=15			
0021	LA62090918	LAR62090918	CONNECTOR [C] D.10			
0022	LA80150060	LAR80150060	PIPE [C]			
0023	LA62090528	LAR62090528	CONNECTOR [C] 10X10			
0024	LAR65110210		SOLENOID VALVE [C] 220V 50HZ 2 WAYS			3/1/2015
0024	LAR65110330		DOUBLE SOLENOID VALVE 2 WAYS 230V 50/60HZ OUT J.G. D.10		3/3/2015	
0025	LA62090798	LAR62090798	REDUCTION [C] Å_8-Å_6			
0026	LA80150020	LAR80150020	PIPE [C]			
0028	LAR65110620		PUMP [C] 230V 50HZ			

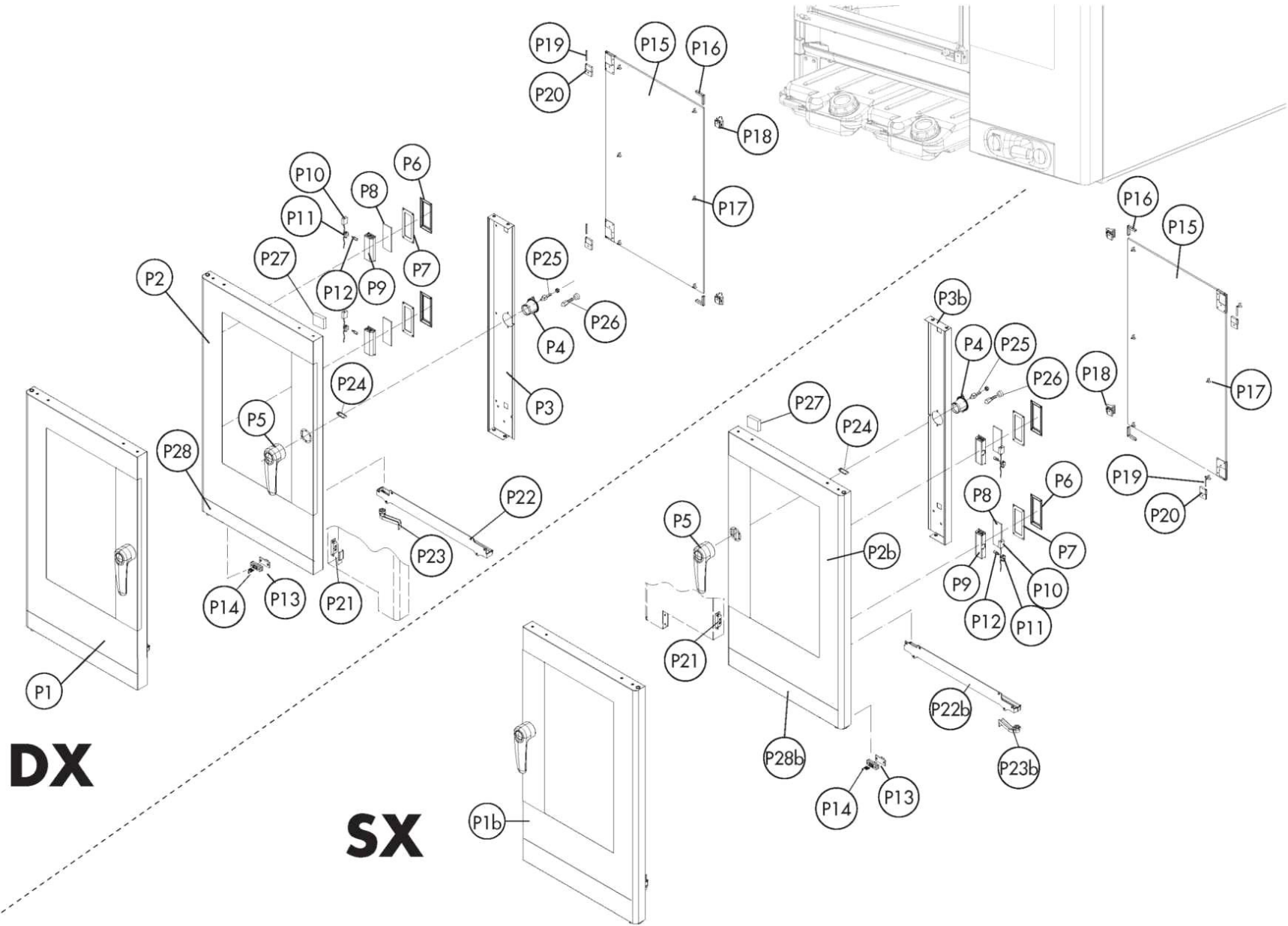
Pos.	Code	Codice precedente	Description	Notes	From:	To:
0029	LA80150020	LAR80150020	PIPE [C]			
0030	LA62090878	LAR62090878	CONNECTOR [C] D.8			
0031	LAR11200650		EXTENSION [C] SPRINKLER M/061			
0033	LA62090908	LAR62090908	CONNECTOR [C] D.10			
0034	LA80150060	LAR80150060	PIPE [C]			
0035	LAR65320220		PROBE [C] K 6X80 1,5ML			
0036	LA62070023	LAR62070023	BICONE [C] D. 6			
0037	LA62060223	LAR62060223	NUT [C] D. 6			
0038	LAR65095000	LAR65090220	MOTOR [C] VENTING			
0039	LAR14170570		PIPE [C]			
0040	LA70010150	LAR70010150	GASKET [C] 55X35X3			
0041	LAR14201030		DEFLECTOR [C] N/S071 2014			
0042	LA75300050	LAR75300050	PLATE [C] FAN D.270 N/S101 2014			
0043	LAR58003110		PIN [C]			
0044	LA14402130	LAR14402130	HINGE [C]			
0045	LA58000370	LAR58000370	PIVOT HINGE			
0046	LA58004050	LAR58004050	NUT [C] FOR HINGE PIN M/106-220			
0047	LA11207240	LAR11207240	LOWER HINGE KIT [C] M-V/061-101-102 2005			
0048	LA58002670	LAR58002670	PIN [C] HINGE SR.2005			
0049	LA58000360	LAR58000360	NUT [C] FOR HINGE PIN N/S 2014			
0050	LAR70048002		SCHEDA BUZZER FORNO X / S LX			
0051	LAR69180210		DRAIN CONTAINER [C] N/S071-101 2014			
0052	LA69180250	LAR69180250	FILTER [C] BASIN DRAINAGE			
0054	LAR10201710		FILTER [C] D.86/44.5 M/210-12			
0056	LA70060040	LAR70060040	COUPLING [C] D. INT 51 D. EXT 59			
0057	LAR70060080		COUPLING [C] D. 13X18X80			
0058	LA69180120	LAR69180120	BOX [C]			
0059	LA58006160	LAR58006160	NOZZLE [C] D. 0,80			
0060	LA62090633	LAR62090633	CONNECTOR [C] 10/10			
0061	LAR70050150		GASKET [C] BOILER CAP			
0062	LA69150100	LAR69150100	CAP [C]			
0063	LAR61630031		ZINC CLAMP [C] 40-60/9			
0064	LA62280038	LAR62280038	CURVE [C] D.50 D.50X			
0065	LAR65240030		FAIRLEAD [C] PG 107 Z/29			



Attenzione! I disegni esplosi si riferiscono al modello generale

TAV. B - SCS

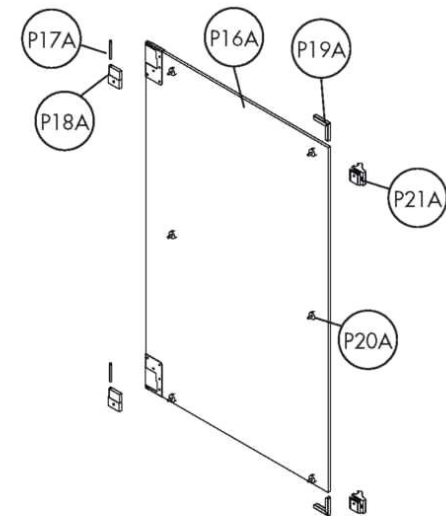
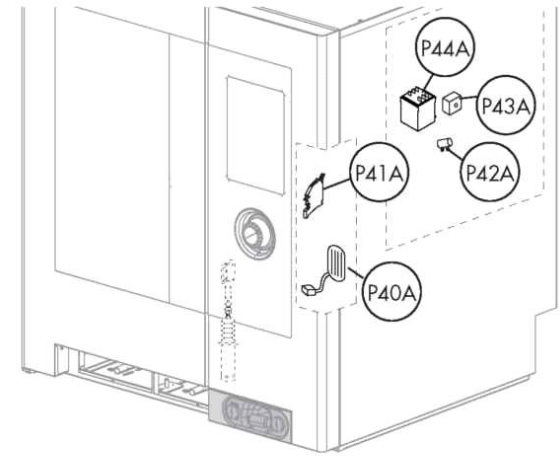
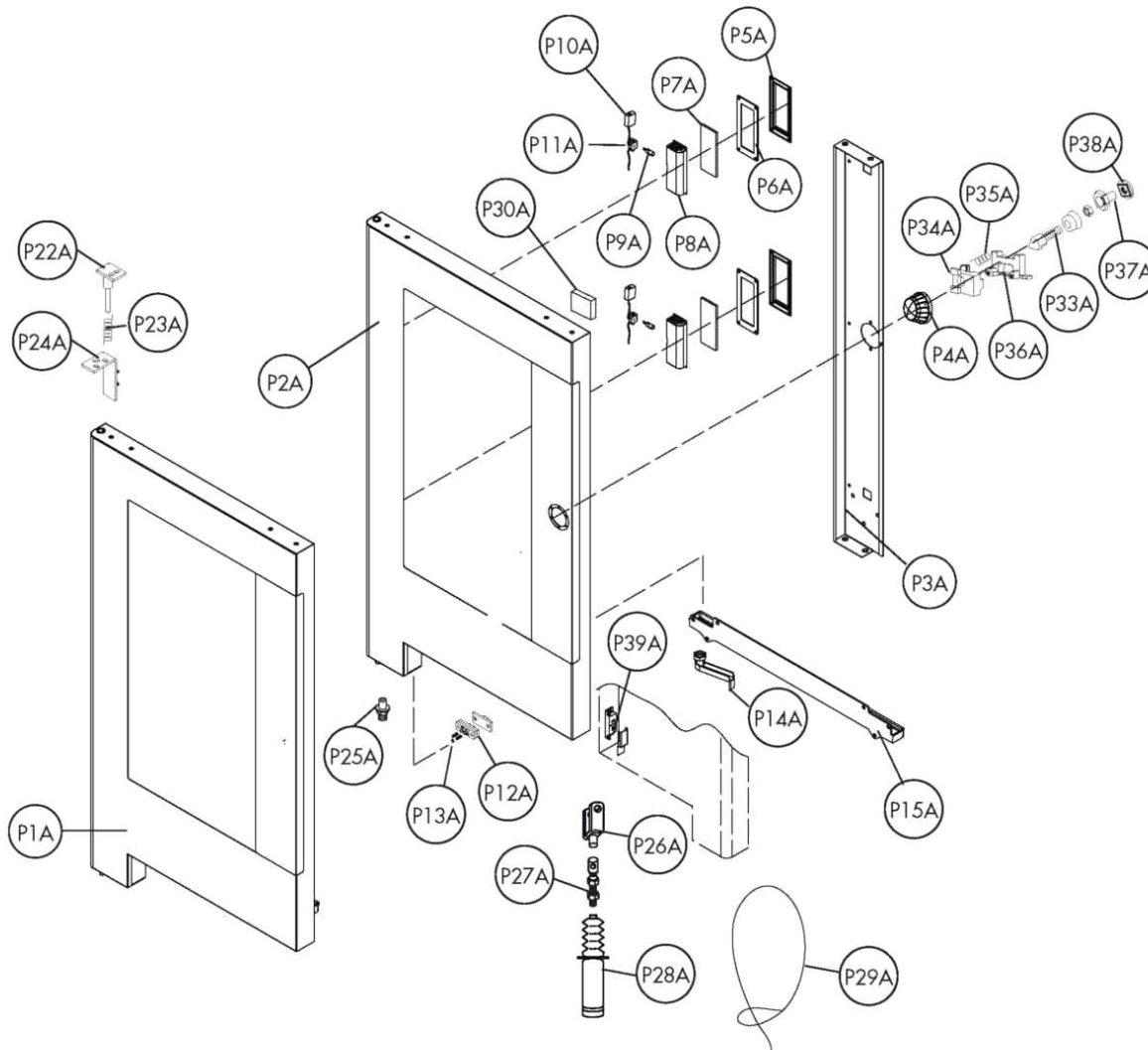
Pos.	Code	Codice precedente	Description	Notes	From:	To:
OOP1	LAR14162600		DOOR [C] NA_071			
OOP2	LAR14200760		DOOR [C] NA_071			
OOP3	LA67016540	LAR67016540	COATING [C]			
OOP4	LAR69010630		COVERING [C] GROUP 6303			
OOP5	LA69010190	LAR69010190	LOCK [C] 6303 N/S2014			
OOP6	LA11401450	LAR11401450	FLANGE [C]			
OOP7	LA70044200	LAR70044200	GASKET [C]			
OOP8	LA71500150	LAR71500150	GLASS PLATE [C] P2000			
OOP9	LA11401440	LAR11401440	LAMP COVER [C]			
OP10	LA66110310	LAR66110310	DOOR LIGHTS CABLE SET [C] M-V/061			
OP11	LA65270450	LAR65270450	LAMP HOLDER [C]			
OP12	LA65270020	LAR65270020	BULB [C] 12V 20W G4			
OP13	LAR65260752		CONTACT [C] LIGHTS SR.2014			
OP14	LA61600031	LAR61600031	GASKET [C] D.3,2 UNI 7434			
OP15	LAR71202210		GLASS PLATE [C] N/S071 2014 494x590x6			
OP16	LA11423460	LAR11423460	PROTECTION [C] DOOR GLASS K E T 2011			
OP17	LAR70050180		SPACER [C] GLASS 15x8 M4x12 A2			
OP18	LAR58001780		CATCH [C] DOOR P2000			
OP19	LA58001770	LAR58001770	PIN [C]			
OP20	LA58001760	LAR58001760	HINGE [C] GLASS SR2000			
OP21	LAR65265100		MICROSWITCH [C]			
OP22	LAR69180220		DOOR CONTAINER [C] N/S071-101 2014			
OP23	LA69180010	LAR69180010	DRAIN [C]			
OP24	LA61620132	LAR61620132	SPRING [C]			
OP25	LA69010260	LAR69010260	PRONG [C]			
OP26	LAR69010270		PRONG [C]			
OP27	LAR11420660		FLANGE [C]			
OP3b	LA67016720	LAR67016720	COATING [C]			
P23b	LA11202240	LAR11202240	DRAIN [C]			



Attenzione! I disegni esplosi si riferiscono al modello generale

TAV. B - LCS

Pos.	Code	Codice precedente	Description	Notes	From:	To:
OOP1	LAR14171320		DOOR [C] NA_071			
OOP2	LAR14203660		PORTA ESTERNA NA_071 C/TANICHE			
OOP3	LA67016540	LAR67016540	COATING [C]			
OOP4	LAR69010630		COVERING [C] GROUP 6303			
OOP5	LA69010190	LAR69010190	LOCK [C] 6303 N/S2014			
OOP6	LA11401450	LAR11401450	FLANGE [C]			
OOP7	LA70044200	LAR70044200	GASKET [C]			
OOP8	LA71500150	LAR71500150	GLASS PLATE [C] P2000			
OOP9	LA11401440	LAR11401440	LAMP COVER [C]			
OP10	LA66110310	LAR66110310	DOOR LIGHTS CABLE SET [C] M-V/061			
OP11	LA65270450	LAR65270450	LAMP HOLDER [C]			
OP12	LA65270020	LAR65270020	BULB [C] 12V 20W G4			
OP13	LAR65260752		CONTACT [C] LIGHTS SR.2014			
OP14	LA61600031	LAR61600031	GASKET [C] D.3,2 UNI 7434			
OP15	LAR71202210		GLASS PLATE [C] N/S071 2014 494x590x6			
OP16	LA11423460	LAR11423460	PROTECTION [C] DOOR GLASS K E T 2011			
OP17	LAR70050180		SPACER [C] GLASS 15x8 M4x12 A2			
OP18	LAR58001780		CATCH [C] DOOR P2000			
OP19	LA58001770	LAR58001770	PIN [C]			
OP20	LA58001760	LAR58001760	HINGE [C] GLASS SR2000			
OP21	LAR65265100		MICROSWITCH [C]			
OP22	LAR69180220		DOOR CONTAINER [C] N/S071-101 2014			
OP23	LA69180010	LAR69180010	DRAIN [C]			
OP24	LA61620132	LAR61620132	SPRING [C]			
OP25	LA69010260	LAR69010260	PRONG [C]			
OP26	LAR69010270		PRONG [C]			
OP27	LAR11420660		FLANGE [C]			
OP28	LAR67017890		RIVESTIMENTO PORTA N/S071/101 C/ TANICHE			
OP3b	LA67016540	LAR67016540	COATING [C]			
P23b	LA11202240	LAR11202240	DRAIN [C]			

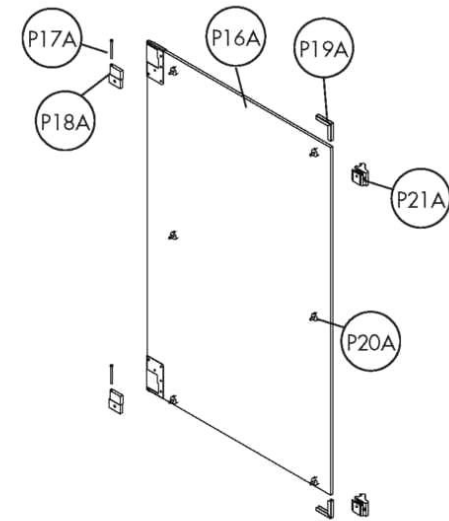
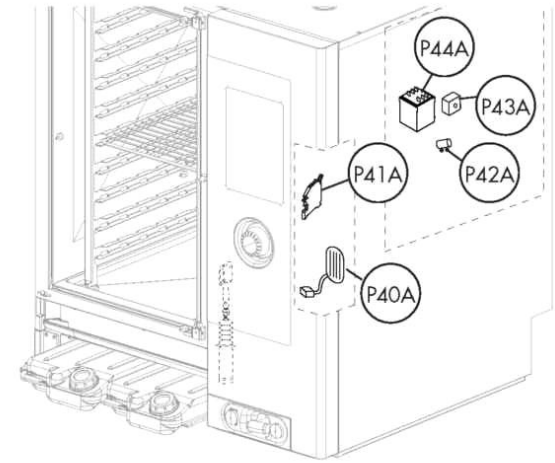
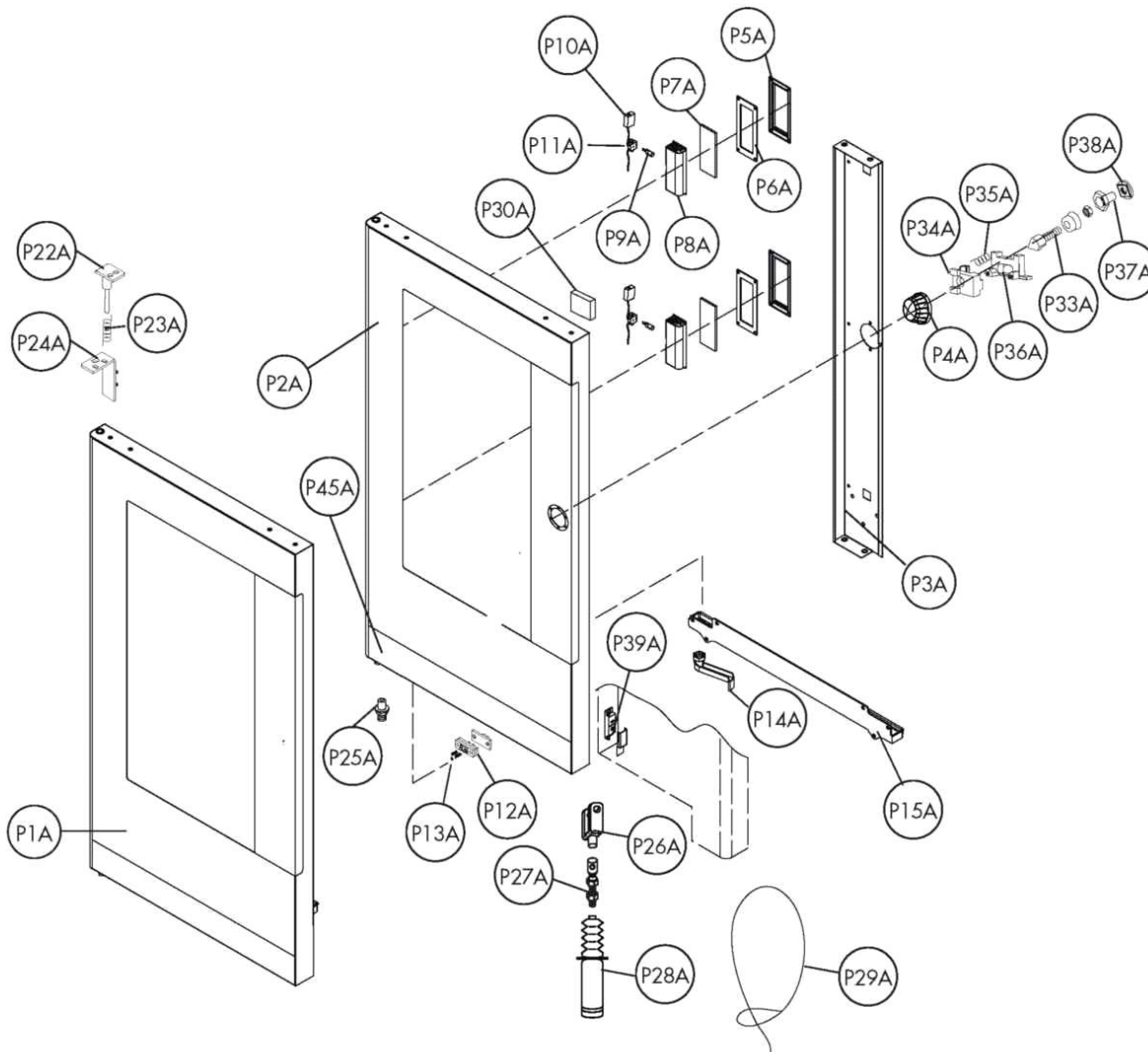


Attenzione! I disegni esplosi si riferiscono al modello generale

TAV. B - NAA - SCS

Pos.	Code	Codice precedente	Description	Notes	From:	To:
OP1A	LAR14162610		DOOR [C] AUTOMATIC NA_071			
OP2A	LAR14218100		DOOR [C] NA_071			
OP3A	LA67016720	LAR67016720	COATING [C]			
OP4A	LA14218140	LAR14218140	COVER [C] AUTOMATIC CLOSURE SYSTEM			
OP5A	LA11401450	LAR11401450	FLANGE [C]			
OP6A	LA70044200	LAR70044200	GASKET [C]			
OP7A	LA71500150	LAR71500150	GLASS PLATE [C] P2000			
OP8A	LA11401440	LAR11401440	LAMP COVER [C]			
OP9A	LA65270020	LAR65270020	BULB [C] 12V 20W G4			
P10A	LA66110310	LAR66110310	DOOR LIGHTS CABLE SET [C] M-V/061			
P11A	LA65270450	LAR65270450	LAMP HOLDER [C]			
P12A	LAR65260752		CONTACT [C] LIGHTS SR.2014			
P13A	LA61600031	LAR61600031	GASKET [C] D.3,2 UNI 7434			
P14A	LA69180010	LAR69180010	DRAIN [C]			
P15A	LAR69180220		DOOR CONTAINER [C] N/S071-101 2014			
P16A	LAR71202210		GLASS PLATE [C] N/S071 2014 494x590x6			
P17A	LA58001770	LAR58001770	PIN [C]			
P18A	LA58001760	LAR58001760	HINGE [C] GLASS SR2000			
P19A	LA11423460	LAR11423460	PROTECTION [C] DOOR GLASS K E T 2011			
P20A	LAR70050180		SPACER [C] GLASS 15x8 M4x12 A2			
P21A	LAR58001780		CATCH [C] DOOR P2000			
P22A	LAR14218130		PIN [C]			
P23A	FR3410560		MOLLA DX PORTE CIECHE ARMADI			
P24A	LAR14402400		UPPR HINGE [C] AUTOMATIC DOOR N/S 2014			
P25A	LA58007180	LAR58007180	PIN [C]			
P26A	LA61660110	LAR61660110	FORK [C]			
P27A	LA61660120	LAR61660120	CONNECTOR [C] AXLE SM6			
P28A	LA65090310	LAR65090310	ACTUATOR [C] LINEAR D40AM2 (220VCC)			
P29A	LAR85340022		CAVO DI ACCIAIO INOX			
P30A	LAR11420660		FLANGE [C]			
P33A	LAR69010850		PRONG [C]			6/8/2014
P33A	LAR69010860		PRONG [C]		6/9/2014	
P34A	LA58007220	LAR58007220	CATCH [C] FOR AUTOMATIC DOOR			
P35A	LA61620132	LAR61620132	SPRING [C]			6/8/2014

Pos.	Code	Codice precedente	Description	Notes	From:	To:
P35A	LA61620152	LAR61620152	SPRING [C]		6/9/2014	
P36A	LA58007170	LAR58007170	SUPPORT [C]			
P37A	LA58007200	LAR58007200	EXTERIOR BUSH [C] FOR AUTOMATIC RELEASE			
P38A	LAR58007190		INTERIOR BUSH [C] FOR AUTOMATIC RELEASE			
P39A	LAR65265100		MICROSWITCH [C]			
P40A	LA67016870	LAR67016870	BUTTON [C] AUTOMATIC DOOR N 2014			
P41A	LA65210020	LAR65210020	FUSE CARRIER [C] 5X20			
P42A	LA61660130	LAR61660130	TERMINAL [C]			
P43A	LA65301760	LAR65301760	DIODE BRIDGE [C] 25A 1000V FASTON			
P44A	LA65170100	LAR65170100	RELAY [C]			

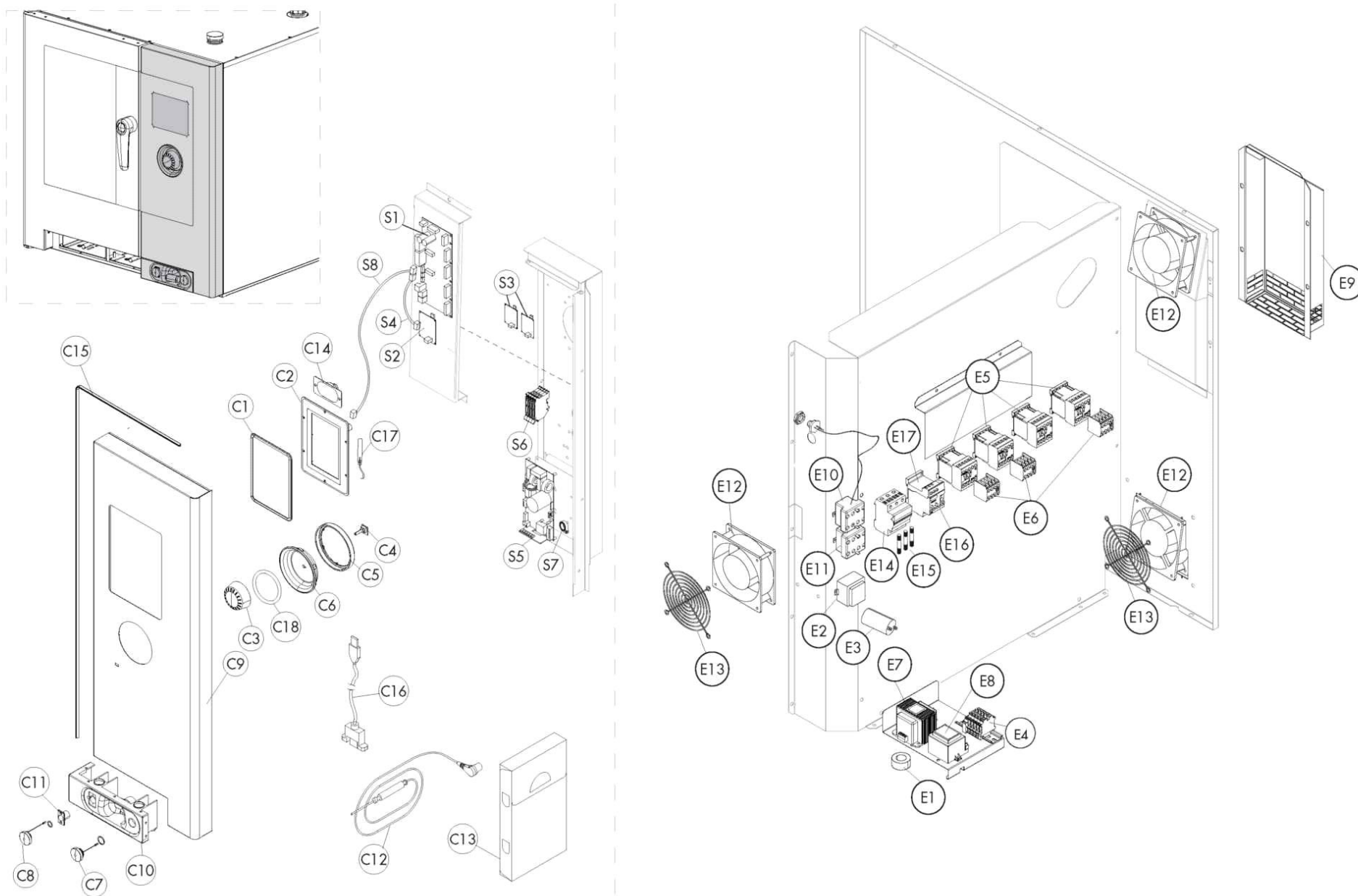


Attenzione! I disegni esplosi si riferiscono al modello generale

TAV. B - NAA - LCS

Pos.	Code	Codice precedente	Description	Notes	From:	To:
OP1A	LAR14171330		DOOR [C] AUTOMATIC NA_071 C/TAN			
OP2A	LAR14203860		PORTA ESTERNA NA_071 C/TANICHE AP.AUTOM.			
OP3A	LA67016720	LAR67016720	COATING [C]			
OP4A	LA14218140	LAR14218140	COVER [C] AUTOMATIC CLOSURE SYSTEM			
OP5A	LA11401450	LAR11401450	FLANGE [C]			
OP6A	LA70044200	LAR70044200	GASKET [C]			
OP7A	LA71500150	LAR71500150	GLASS PLATE [C] P2000			
OP8A	LA11401440	LAR11401440	LAMP COVER [C]			
OP9A	LA65270020	LAR65270020	BULB [C] 12V 20W G4			
P10A	LA66110310	LAR66110310	DOOR LIGHTS CABLE SET [C] M-V/061			
P11A	LA65270450	LAR65270450	LAMP HOLDER [C]			
P12A	LAR65260752		CONTACT [C] LIGHTS SR.2014			
P13A	LA61600031	LAR61600031	GASKET [C] D.3,2 UNI 7434			
P14A	LA69180010	LAR69180010	DRAIN [C]			
P15A	LAR69180220		DOOR CONTAINER [C] N/S071-101 2014			
P16A	LAR71202210		GLASS PLATE [C] N/S071 2014 494x590x6			
P17A	LA58001770	LAR58001770	PIN [C]			
P18A	LA58001760	LAR58001760	HINGE [C] GLASS SR2000			
P19A	LA11423460	LAR11423460	PROTECTION [C] DOOR GLASS K E T 2011			
P20A	LAR70050180		SPACER [C] GLASS 15x8 M4x12 A2			
P21A	LAR58001780		CATCH [C] DOOR P2000			
P22A	LAR14218130		PIN [C]			
P23A	FR3410560		MOLLA DX PORTE CIECHE ARMADI			
P24A	LAR14402400		UPPR HINGE [C] AUTOMATIC DOOR N/S 2014			
P25A	LA58007180	LAR58007180	PIN [C]			
P26A	LA61660110	LAR61660110	FORK [C]			
P27A	LA61660120	LAR61660120	CONNECTOR [C] AXLE SM6			
P28A	LA65090310	LAR65090310	ACTUATOR [C] LINEAR D40AM2 (220VCC)			
P29A	LAR85340022		CAVO DI ACCIAIO INOX			
P30A	LAR11420660		FLANGE [C]			
P33A	LAR69010850		PRONG [C]			6/8/2014
P33A	LAR69010860		PRONG [C]		6/9/2014	
P34A	LA58007220	LAR58007220	CATCH [C] FOR AUTOMATIC DOOR			

Pos.	Code	Codice precedente	Description	Notes	From:	To:
P35A	LA61620132	LAR61620132	SPRING [C]			6/8/2014
P35A	LA61620152	LAR61620152	SPRING [C]		6/9/2014	
P36A	LA58007170	LAR58007170	SUPPORT [C]			
P37A	LA58007200	LAR58007200	EXTERIOR BUSH [C] FOR AUTOMATIC RELEASE			
P38A	LAR58007190		INTERIOR BUSH [C] FOR AUTOMATIC RELEASE			
P39A	LAR65265100		MICROSWITCH [C]			
P40A	LA67016870	LAR67016870	BUTTON [C] AUTOMATIC DOOR N 2014			
P41A	LA65210020	LAR65210020	FUSE CARRIER [C] 5X20			
P42A	LA61660130	LAR61660130	TERMINAL [C]			
P43A	LA65301760	LAR65301760	DIODE BRIDGE [C] 25A 1000V FASTON			
P44A	LA65170100	LAR65170100	RELAY [C]			
P45A	LAR67017890		RIVESTIMENTO PORTA N/S071/101 C/ TANICHE			

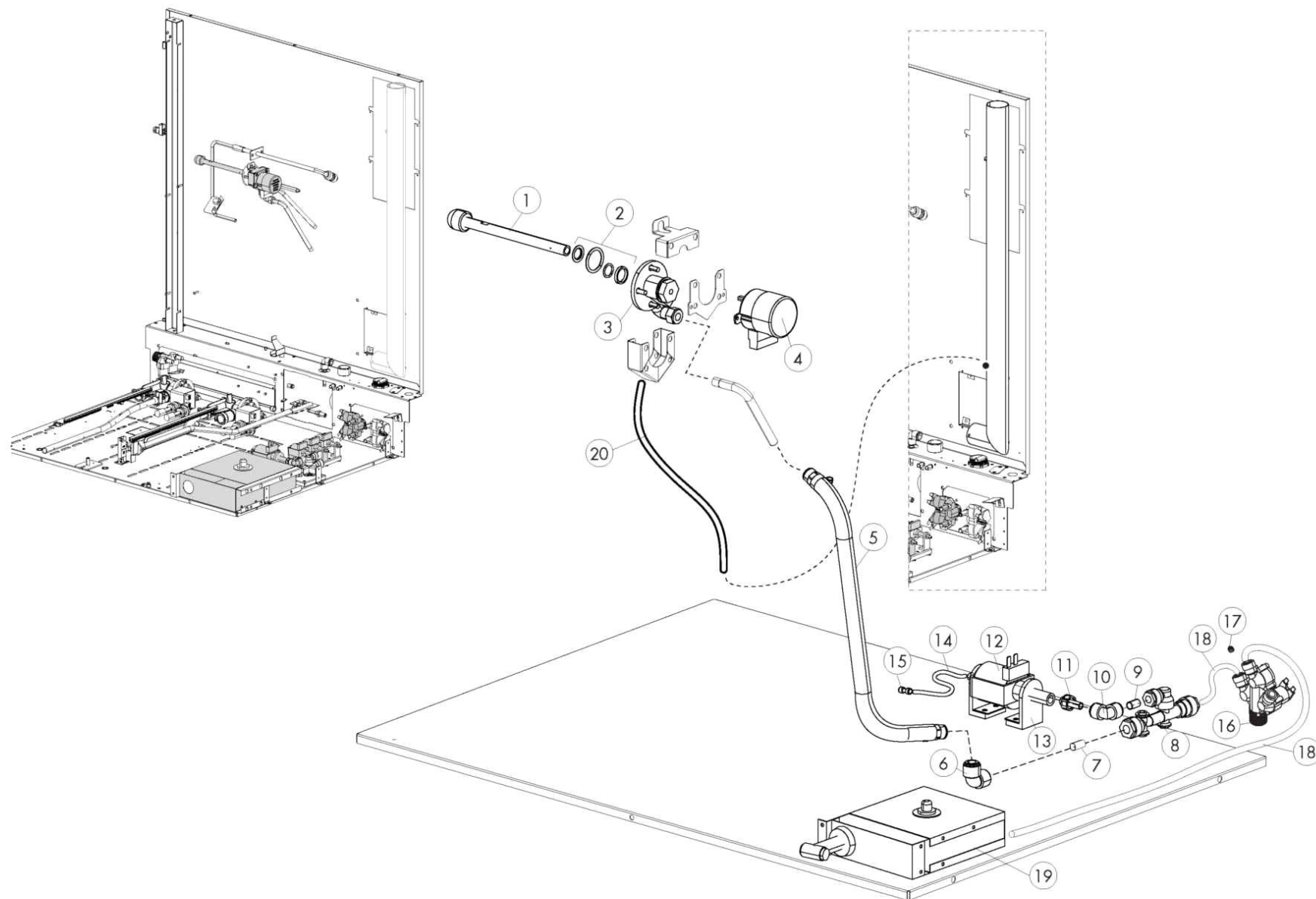


Attenzione! I disegni esplosi si riferiscono al modello generale

TAV. C

Pos.	Code	Codice precedente	Description	Notes	From:	To:
00C1	LA70040030	LAR70040030	GASKET [C] CONTROL PANEL N 2014			
00C3	LA69030241		MANOPOLA ENCODER D.70 NERA N 2017			
00C4	LA65302501		ENCODER PUSH NABOO+CAVO L=60cm DET.MAGG.			
00C5	LA69030330	LAR69030330	COUNTER FLANGE [C] D.116 FOR ENCODER N 2014			
00C6	LA69030320	LAR69030320	RING NUT [C] D. 116			
00C7	LA65321310	LAR65321310	CAP [C]			
00C8	LA65321330	LAR65321330	CAP [C] N/S 2014			
00C9	LAR14200690		FRONT PANEL [C] N071 2014			
00E1	LAR65280490		FERRITE [C] FT36			
00E2	LA65450200	LAR65450200	INDUCTOR [C] 6,5 mH 8A			
00E3	LA65280230	LAR65280230	FILTER [C]			
00E5	LA65140380	LAR65140380	SWITCH [C]			7/31/2016
00E5	LA65140400	LAR65140400	SWITCH [C]			7/31/2016
00E5	LA65140900	LAR65140900	SWITCH [C]		8/1/2016	
00E5	LA65140910	LAR65140910	SWITCH [C]		8/1/2016	
00E6	LA65140420	LAR65140420	CONTACT [C] 1L+1R 3RH1911-1FA11			7/31/2016
00E6	LA65140930	LAR65140930	CONTACT [C] 1L+1R 3RH2911-1HA11		8/1/2016	
00E7	LA65180430	LAR65180430	TRANSFORMER [C] 40VA			
00E7	LA65187110	LAR65187110	TRANSFORMER [C] 40VA	UL Version (USA-CAN)		
00E8	LA65180420	LAR65180420	TRANSFORMER [C] 20VA			
00E8	LA65187110	LAR65187110	TRANSFORMER [C] 40VA	UL Version (USA-CAN)		
00S1	LA65302480	LAR65302480	POWER BOARD [C] NABOO			
00S2	LA65302520	LAR65302520	EXPANSION BOAD [C] BOILER NABOO			
00S3	LA65302530	LAR65302530	EXPANSION BOAD [C] WASHING SYSTEM NABOO			
00S4	LA65301740	LAR65301740	CABLE [C] SERIAL WITH PLUG RJ45 L=250			
00S5	LAR65140090		INVERTER [C] 0,8KW	UL Version (USA-CAN)		
00S5	LAR65140890		INVERTER [C] 0,8KW			
00S6	LA65210020	LAR65210020	FUSE CARRIER [C] 5X20			
00S7	LA65280480	LAR65280480	FERRITE [C] FT25			
00S8	LA65301750	LAR65301750	CABLE [C] SERIAL WITH PLUG RJ45 L=600			
OC10	LA14402530	LAR14402530	CONNECTIONS FRAME [C] N/S071 2014			
OC11	LA65321360	LAR65321360	CONNECTOR [C] L1000 FEMALE TO CORE PROBE 6 PINS			
OC12	LA65321102	LAR65321102	PROBE [C] K 4P 6 PIN IMP.2012			

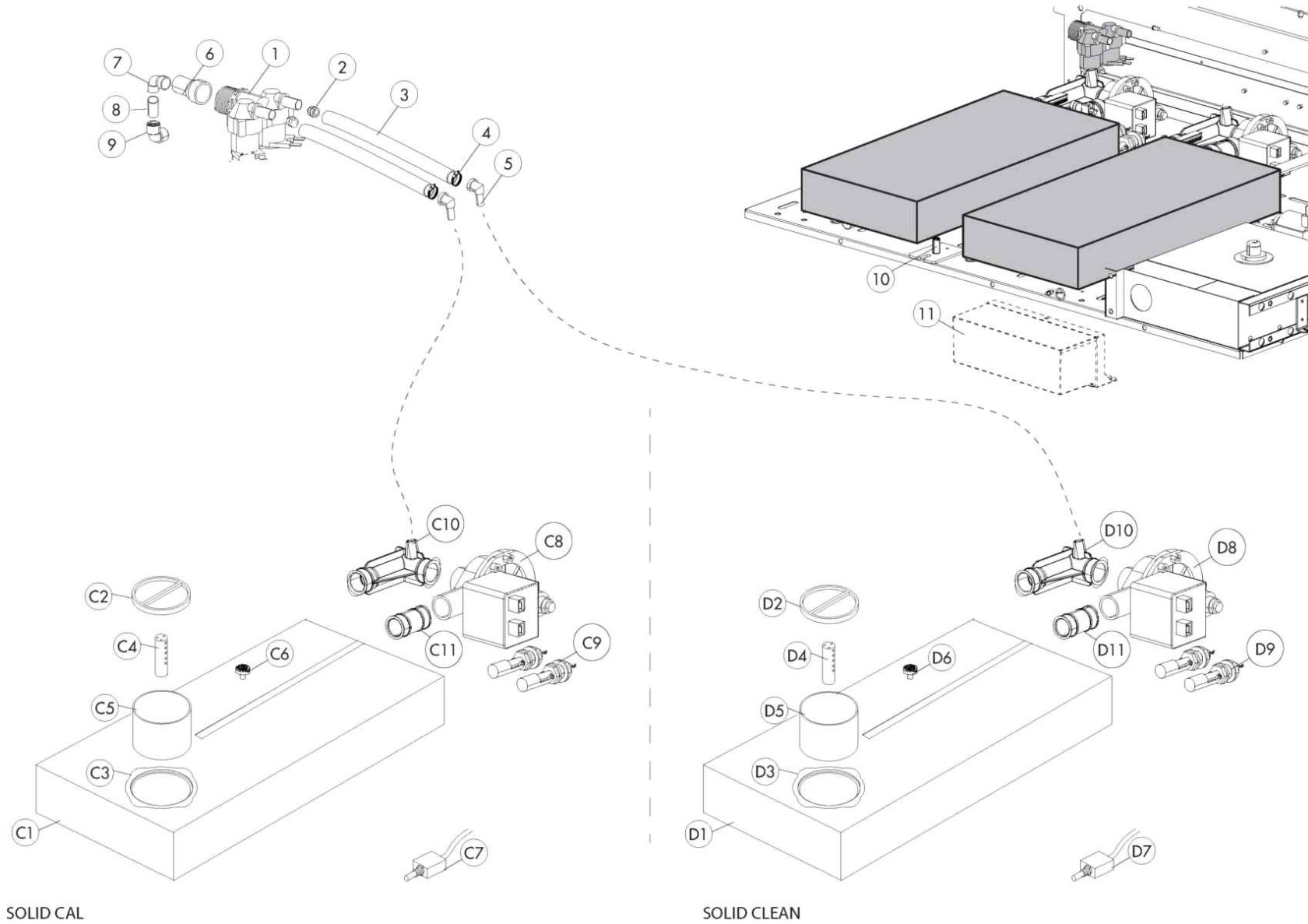
Pos.	Code	Codice precedente	Description	Notes	From:	To:
OC13	LAR86020400		VALIGETTA X SONDA AL CUORE TRASPARENTE			
OC14	LA65330060	LAR65330060	LOUDSPEAKER [C] CONTROL PANEL NA 2014			
OC15	LAR80100100		PROFILE [C]			
OC16	LA65302600	LAR65302600	CABLE [C] CARD SWITCH CONNECTION USB 90Å° L=850			
OC17	LA65302560	LAR65302560	AERIAL [C]			
OC18	LA70010290	LAR70010290	GASKET [C] 115X2,5			
OE10	LA65070350	LAR65070350	THERMOSTAT [C] 360Å°C			
OE10	LA65070370	LAR65070370	THERMOSTAT [C] 360Å°C	UL Version (USA-CAN)		
OE11	LA65070380	LAR65070380	THERMOSTAT [C] 150Å°C	UL Version (USA-CAN)		
OE11	LAR65070081		THERMOSTAT [C] BOILER			
OE12	LA65060050	LAR65060050	FAN [R] D. 120			
OE13	LAR75300020		PLATE [C] FAN D.120			
OE14	LAR65210110		PORTAFUSIBILE BUSMANN BCC3X38 (2306338)	UL Version (USA-CAN)		
OE15	LAR65200400		FUSIBILE X MOT. KTK-R-6 600V 6A CL. CC	UL Version (USA-CAN)		
OE16	LA65160620	LAR65160620	HEAT-GUARD [C] 1,4-2,0	UL Version (USA-CAN)		7/31/2016
OE16	LA65160880	LAR65160880	HEAT-GUARD [C] 1,4-2,0	UL Version (USA-CAN)	8/1/2016	
OE17	LA65160550	LAR65160550	SUPPORT [C]	UL Version (USA-CAN)		7/31/2016
OE17	LA65160810	LAR65160810	SUPP.TERMICO 3RU2916-3AA01	UL Version (USA-CAN)	8/1/2016	



Attenzione! I disegni esplosi si riferiscono al modello generale

TAV. D

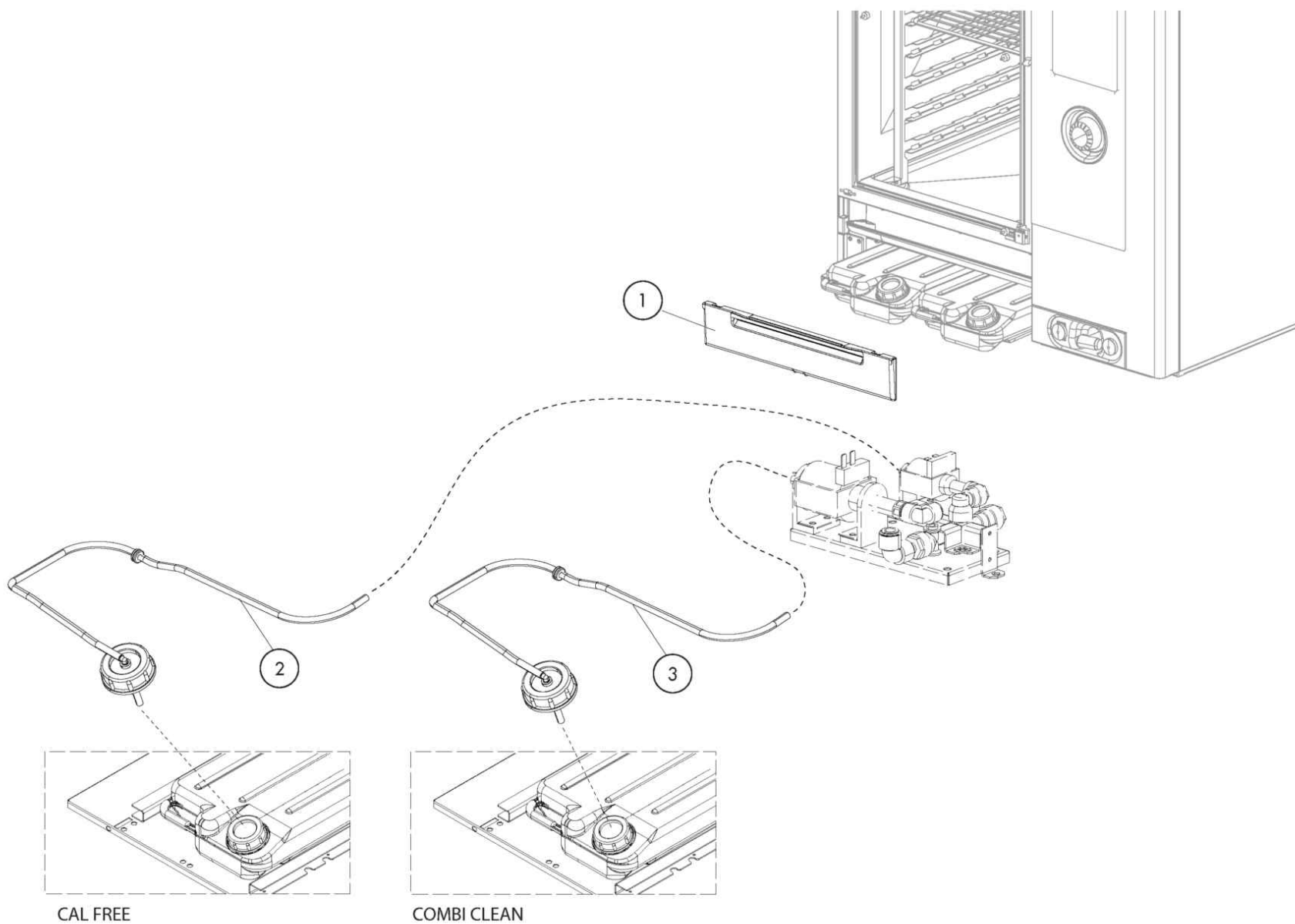
Pos.	Code	Codice precedente	Description	Notes	From:	To:
0001	LAR58007030		WASHING HEAD [C] L=165 (2/1)			
0002	LAR70045120		GASKET [C]			
0003	LAR58007020		FLANGE [C]			
0004	LA65090260	LAR65090260	GEARMOTOR [C]			
0006	LA62090478	LAR62090478	CONNECTOR [C] D.10			
0007	LA80150000	LAR80150000	PIPE [C]			
0008	LA62090888	LAR62090888	MANIFOLD [C] 3WAYS-2D.10+1D.8+3 NO RETURN CONTROL		7/7/2014	
0009	LA80150020	LAR80150020	PIPE [C]			
0010	LA62090498	LAR62090498	CONNECTOR [C] D.8			
0011	LA62090608	LAR62090608	END SIDE PIPE [C] 8x1/8			
0012	LAR65110600		PUMP [C]			
0014	LA80150020	LAR80150020	PIPE [C]			
0015	LA62090878	LAR62090878	CONNECTOR [C] D.8			
0016	LAR65110240		SOLENOID VALVE [C] 220V 50HZ 2P+1D 3 WAYS			3/2/2015
0016	LAR65110360		DOUBLE SOLENOID VALVE 3 WAY D.10		3/3/2015	
0017	LA65110500	LAR65110500	REGULATOR [C]			
0018	LA80150000	LAR80150000	PIPE [C]			
0019	LA62200172	LAR62200172	SHOWER HEAD [C] N071/101/072/102 2014			
0020	LA80120060	LAR80120060	PIPE [C]			



Attenzione! I disegni esplosi si riferiscono al modello generale

TAV. E - SCS

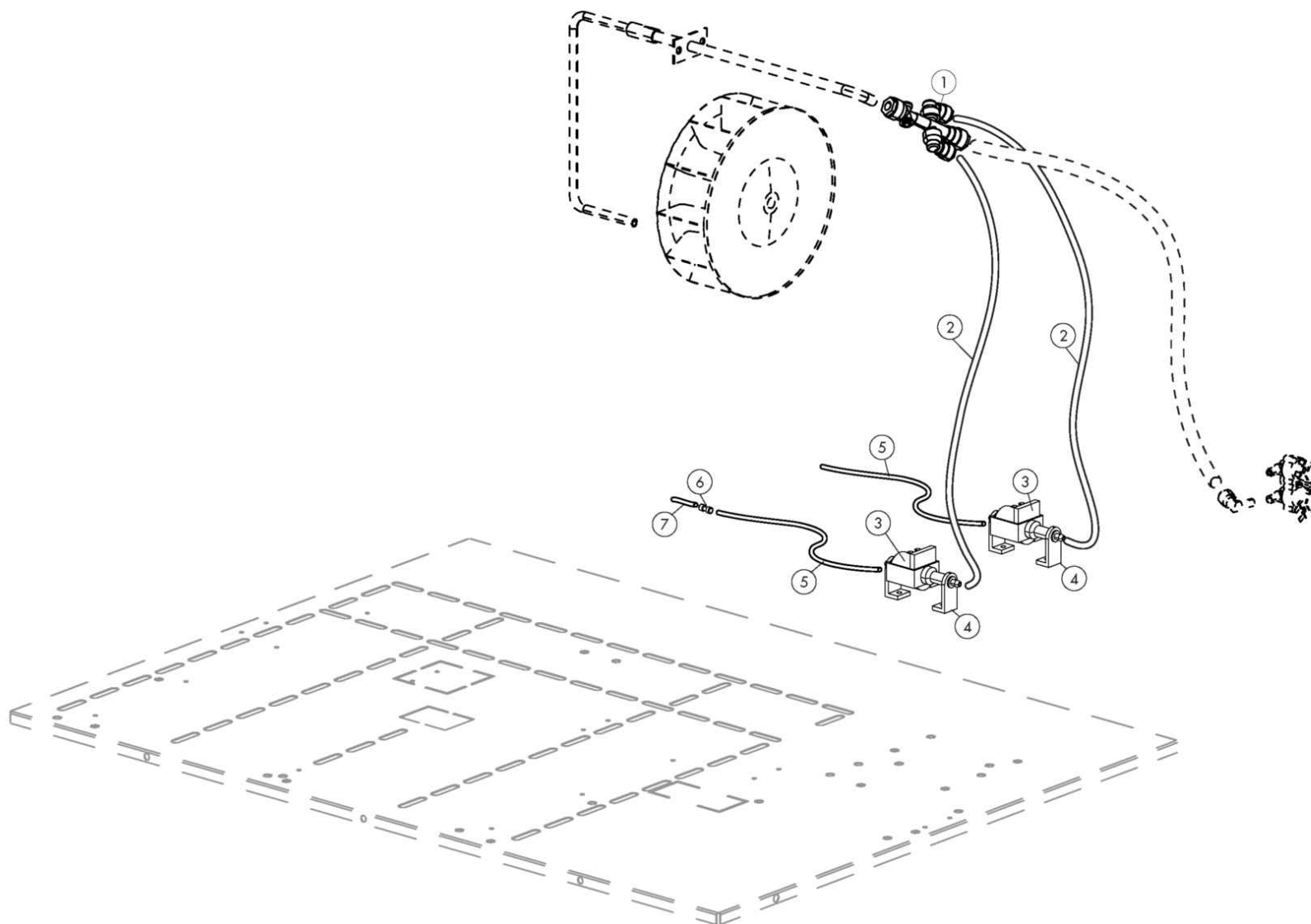
Pos.	Code	Codice precedente	Description	Notes	From:	To:
0001	LAR65110210		SOLENOID VALVE [C] 220V 50HZ 2 WAYS			
0002	LA65110530	LAR65110530	REGULATOR [C] 2LT/1'			
0003	LA80120060	LAR80120060	PIPE [C]			
0004	LA61630121	LAR61630121	ZINC CLAMP [C] WITH SPRING D.13,7MM			
0005	LAR62090938		CONNECTOR [C] D.8			
0006	LA65110690	LAR65110690	CONNECTOR [C] 3/4F+JG10			
0007	LA62090528	LAR62090528	CONNECTOR [C] 10X10			
0008	LA80150000	LAR80150000	PIPE [C]			
0009	LA62090478	LAR62090478	CONNECTOR [C] D.10			
0010	LAR58006960		PIN [C] DRAWERS DIVISION N/S 071-101 2014 D9			
00C2	LAR69040030		CAP [C] N/S 2014 D. 80			
00C4	LA69040050	LAR69040050	VAPORISER [C]			
00C5	LA69040060	LAR69040060	FILTER [C] MIXING TRAY N/S 2014			
00C6	LAR62090718		FILTER [C] D.5			
00C7	LAR65260900		MICROINT.CASSETTO MISCELAZIONE N/S 2014			
00C8	LA65110300	LAR65110300	PUMP [C] 220V 50HZ	50Hz		
00C8	LA65110310	LAR65110310	PUMP [C] 220V 60HZ	60Hz		
00C9	LA65260910	LAR65260910	CONTROL [C] LEVEL MIXING TRAY N/S 2014			
00D2	LA69040040	LAR69040040	CAP [C] N/S 2014 D. 90			
00D4	LA69040050	LAR69040050	VAPORISER [C]			
00D5	LA69040060	LAR69040060	FILTER [C] MIXING TRAY N/S 2014			
00D6	LAR62090718		FILTER [C] D.5			
00D7	LAR65260900		MICROINT.CASSETTO MISCELAZIONE N/S 2014			
00D8	LA65110300	LAR65110300	PUMP [C] 220V 50HZ	50Hz		
00D8	LA65110310	LAR65110310	PUMP [C] 220V 60HZ	60Hz		
00D9	LA65260910	LAR65260910	CONTROL [C] LEVEL MIXING TRAY N/S 2014			



Attenzione! I disegni esplosi si riferiscono al modello generale

TAV. F - LCS

Pos.	Code	Codice precedente	Description	Notes	From:	To:
0001	LAR69180340		DOOR [C]			
0002	LAR14171810		PIPE [C]			
0003	LAR14171800		PIPE [C]			



Attenzione! I disegni esplosi si riferiscono al modello generale

TAV. G - SMOKEGRILL

Pos.	Code	Codice precedente	Description	Notes	From:	To:
0001	LA62090898	LAR62090898	MANIFOLD [C] 4WAYS-2D.10+2D.8+3 NO RETURN CONTROL			
0002	LA80150020	LAR80150020	PIPE [C]			
0003	LAR65110620		PUMP [C] 230V 50HZ			
0005	LA80150020	LAR80150020	PIPE [C]			
0006	LA62090798	LAR62090798	REDUCTION [C] $\bar{A}_8-\bar{A}_6$			
0007	LA80150030	LAR80150030	PIPE [C]			