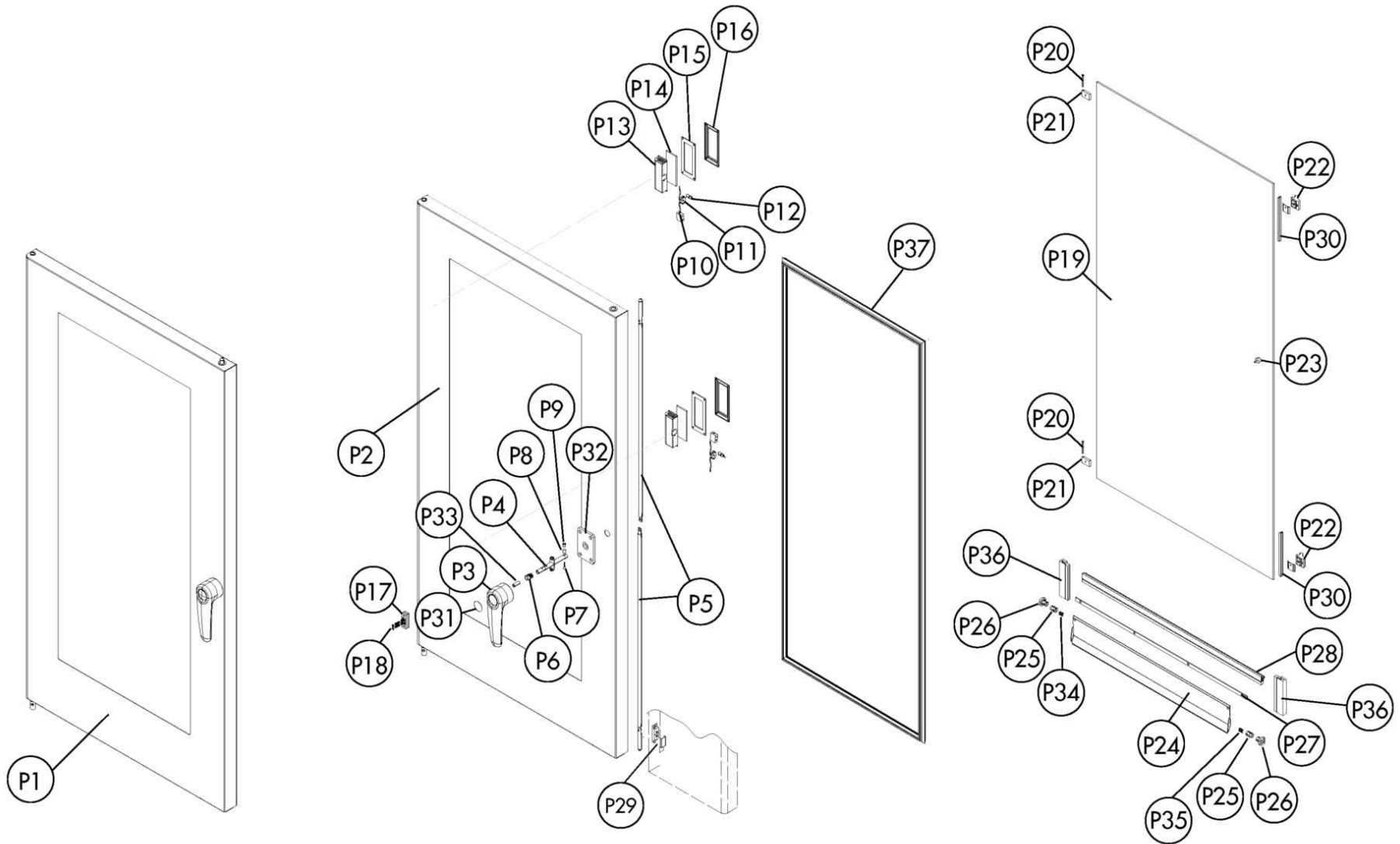


Attenzione! I disegni esplosi si riferiscono al modello generale

TAV. A

Pos.	Code	Codice precedente	Description	Notes	From:	To:
0001	LAR65040530		MOTOR [C] 200/440V 0,55KW F3 4P			
0001	LAR65041210		MOTOR [C] 240/480V 60HZ 0,55KW F3	UL Version (USA-CAN)		
0002	LA58003850	LAR58003850	COUNTER FLANGE [C] LARGE			
0003	LA58003840	LAR58003840	FLANGE [C]			
0004	LA70020050	LAR70020050	GASKET [C]			
0005	LA75400440	LAR75400440	FAN [C] D. 350X114 50HZ			
0006	LA58004010	LAR58004010	WASHER [C] D. 30/12,5			
0007	LA58004000	LAR58004000	SCREW [C] M12X1.5			
0008	LA61020562	LAR61020562	SCREW [C] M6X55 UNI 5737			
0010	LAR65011300		HEATING ELEMENT [C] 15000W208V CHAMBER	UL Version 208V (USA-CAN)		
0010	LAR65011310		HEATING ELEMENT [C] 15000W230V CHAMBER			
0012	LAR69150110		CAP [C]			
0013	LA70050140	LAR70050140	GASKET [C] BOILER CAP			
0015	LAR58004030		INOXNUT [C] 11/4X8 M/110-210			
0016	LA65320010	LAR65320010	PROBE [C] LEVEL TL 10/B			
0017	LA65020421	LAR65020421	HEATING ELEMENT [C] 15000W230V BOILER ME/220 TRI			
0017	LAR65020411		RESISTENZA 15000W277V BOILER ME/220 RIF	UL Version 277V (USA-CAN)		
0018	LA62080093	LAR62080093	JOINT [C] MF 1			
0019	LAR65110570		VALVE [C] 230V			
0019	LAR65110571		VALVE [C] 230V			
0020	LA65324550	LAR65324550	PROBE [C] LEVEL CALOUT TL 10/B EL=20 TF=15			
0021	LA62090918	LAR62090918	CONNECTOR [C] D.10			
0022	LA80150060	LAR80150060	PIPE [C]			
0023	LA62090528	LAR62090528	CONNECTOR [C] 10X10			
0024	LAR65110210		SOLENOID VALVE [C] 220V 50HZ 2 WAYS			
0025	LA62090458	LAR62090458	CONNECTOR [C] D.10			
0026	LA80150000	LAR80150000	PIPE [C]			
0028	LAR65110620		PUMP [C] 230V 50HZ			
0029	LA80150020	LAR80150020	PIPE [C]			
0030	LA62090798	LAR62090798	REDUCTION [C] Å, 8-Å, 6			
0031	LA11201970	LAR11201970	EXTENSION [C] SPRINKLER C-V-M/101			
0033	LA62090928	LAR62090928	CONNECTOR [C]			
0034	LA80150060	LAR80150060	PIPE [C]			

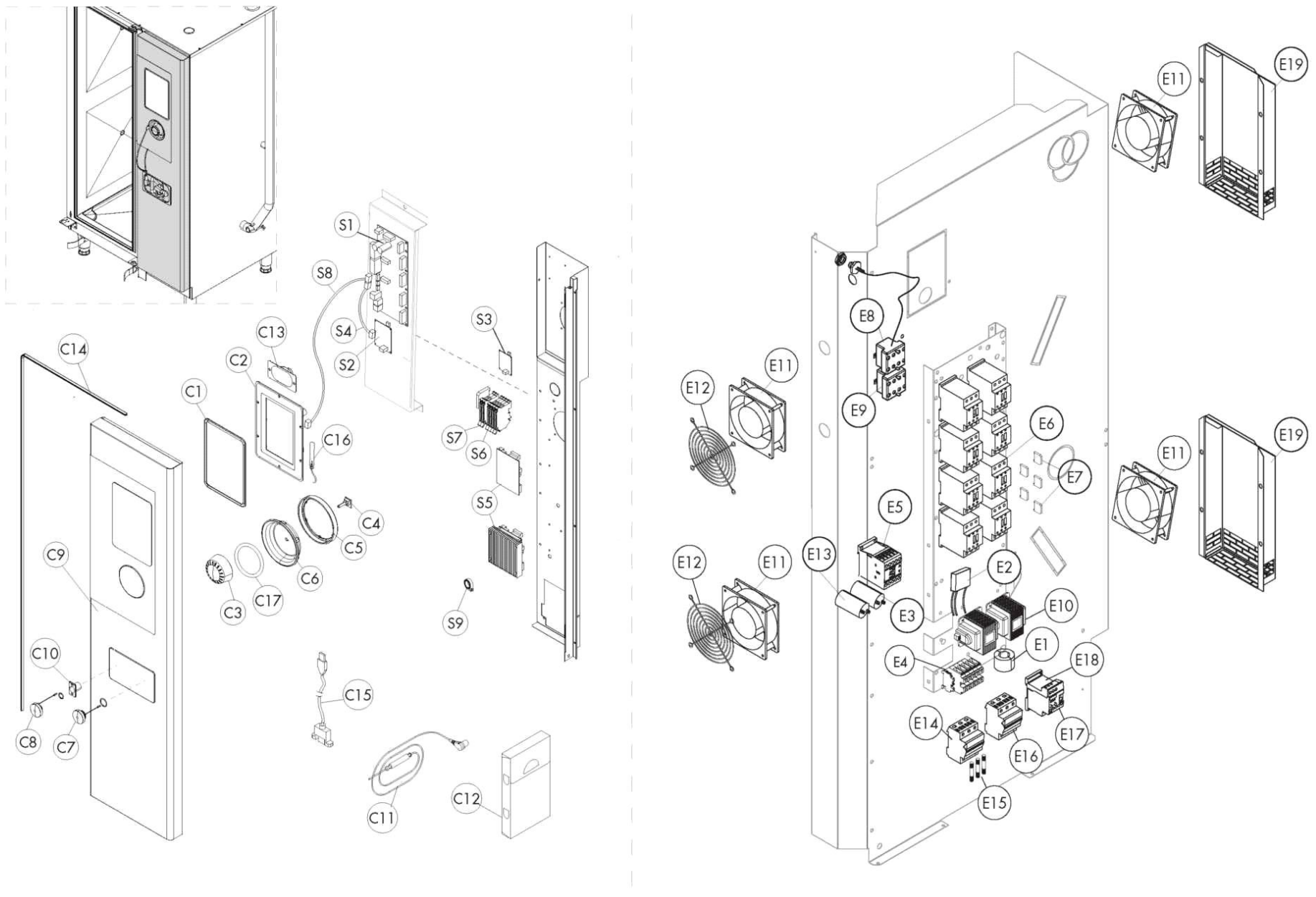
Pos.	Code	Codice precedente	Description	Notes	From:	To:
0035	LA70010370	LAR70010370	GASKET [C]			
0036	LAR65320220		PROBE [C] K 6X80 1,5ML			
0037	LA62070023	LAR62070023	BICONE [C] D. 6			
0038	LA62060223	LAR62060223	NUT [C] D. 6			
0039	LAR58006690		CAP [C] SERIE 2014			
0040	LAR65095000	LAR65090220	MOTOR [C] VENTING			
0043	LAR14201150		DEFLECTOR [C] N/S201 2014			
0044	LA75300070	LAR75300070	PLATE [C] FAN D.350 N/S101 2014			
0045	LAR58003110		PIN [C]			
0046	LA11426830	LAR11426830	UPPER HINGE [C] DOOR SR.2013			
0047	LA58002150	LAR58002150	PIN [C]			
0048	LA58004050	LAR58004050	NUT [C] FOR HINGE PIN M/106-220			
0049	LAR58002540		KEY [C] FOR PIN DOOR M-V/120-22			
0050	LA58002570	LAR58002570	WASHER [C] 15X3			
0051	LAR11205390		LOWER HINGE KIT [C] M-V/201-202			
0052	LA58002550	LAR58002550	SLIDING BLOCK [C] M-V/120-220			
0053	LA61620091	LAR61620091	SPRING [C] D.14/6,4X0,8 C70			
0054	LA58002560	LAR58002560	CATCH [C] DOOR M-V/120- 220			
0058	LA14425200	LAR14425200	HANDLE [C] TROLLEY KS/T21			
0059	LA69090360	LAR69090360	CASTOR [C] D. 100			
0060	LA69090350	LAR69090350	CASTOR [C] D. 100			
0061	LAR10201710		FILTER [C] D.86/44.5 M/210-12			
0062	LA70060040	LAR70060040	COUPLING [C] D. INT 51 D. EXT 59			
0063	LAR70060080		COUPLING [C] D. 13X18X80			
0064	LA69180120	LAR69180120	BOX [C]			
0065	LA58006160	LAR58006160	NOZZLE [C] D. 0,80			
0066	LA62090633	LAR62090633	CONNECTOR [C] 10/10			
0067	LAR70050150		GASKET [C] BOILER CAP			
0068	LA69150100	LAR69150100	CAP [C]			
0069	LAR61630031		ZINC CLAMP [C] 40-60/9			
0070	LA62280038	LAR62280038	CURVE [C] D.50 D.50X			
0071	LAR65240010		FAIRLEAD [C] PG 107 Z/1			



Attenzione! I disegni esplosi si riferiscono al modello generale

TAV. B

Pos.	Code	Codice precedente	Description	Notes	From:	To:
OOP1	LAR14162980		DOOR [C] NA/SA 201			
OOP2	LAR14201110		DOOR [C] NA/SA_201			
OOP3	LA69010180	LAR69010180	HANDLE [C] 6303 N/S 2014			
OOP4	LAR11205340		PIN [C] HANDLE M-V/201-202			
OOP5	LA11207670	LAR11207670	ROD [C] K_201-202			
OOP6	LA58001740	LAR58001740	BUSH [C] FOR HANDLE JOINT M-V/201-202			
OOP9	LAR58004781		HOOK [C]			
OP10	LAR66110330		DOOR LIGHTS CABLE SET [C] M-V/201-202			
OP11	LA65270450	LAR65270450	LAMP HOLDER [C]			
OP12	LA65270020	LAR65270020	BULB [C] 12V 20W G4			
OP13	LA11401440	LAR11401440	LAMP COVER [C]			
OP14	LA71500150	LAR71500150	GLASS PLATE [C] P2000			
OP15	LA70044200	LAR70044200	GASKET [C]			
OP16	LA11401450	LAR11401450	FLANGE [C]			
OP17	LAR65260752		CONTACT [C] LIGHTS SR.2014			
OP18	LA61600031	LAR61600031	GASKET [C] D.3,2 UNI 7434			
OP19	LAR71202050		GLASS PLATE [C] T21 2011 (1396x511x6)			
OP20	LA58001770	LAR58001770	PIN [C]			
OP21	LA58001760	LAR58001760	HINGE [C] GLASS SR2000			
OP22	LAR58001780		CATCH [C] DOOR P2000			
OP23	LAR70050180		SPACER [C] GLASS 15x8 M4x12 A2			
OP24	LAR14441630		CLOSING PLATE [C] T21 2011			
OP25	LA58006910	LAR58006910	CLOSING PLATE ROTATION PIVOT [C]			
OP26	LAR58006861		CLOSING PLATE ROTATION PIVOT [C]			
OP27	LA80100910	LAR80100910	PROFILE [C]			
OP28	LAR70044300	LAR80100560	GASKET [C] TROLLEY M/201			
OP29	LAR65265100		MICROSWITCH [C]			
OP30	LA11411860	LAR11411860	PROTECTION [C] DOOR GLASS M-V/201-202			
OP31	LA69010490	LAR69010490	CAP [C]			
OP32	LA03200970	LAR03200970	FLANGE [C]			

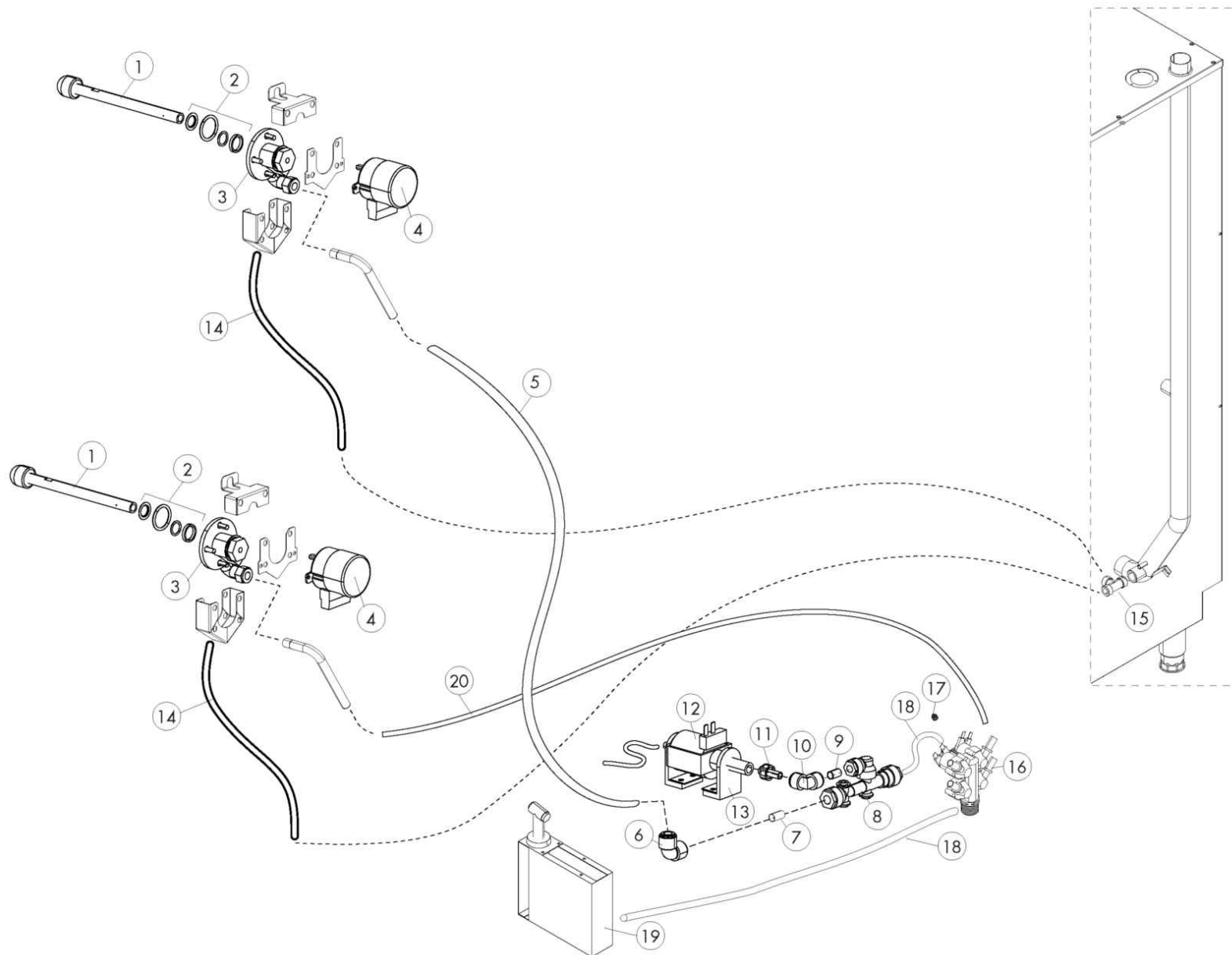


Attenzione! I disegni esplosi si riferiscono al modello generale

TAV. C

Pos.	Code	Codice precedente	Description	Notes	From:	To:
00C1	LA70040030	LAR70040030	GASKET [C] CONTROL PANEL N 2014			
00C3	LA69030241		MANOPOLA ENCODER D.70 NERA N 2017			
00C4	LA65302501		ENCODER PUSH NABOO+CAVO L=60cm DET.MAGG.			
00C5	LA69030330	LAR69030330	COUNTER FLANGE [C] D.116 FOR ENCODER N 2014			
00C6	LA69030320	LAR69030320	RING NUT [C] D. 116			
00C7	LA65321310	LAR65321310	CAP [C]			
00C8	LA65321330	LAR65321330	CAP [C] N/S 2014			
00E1	LAR65280520		FERRITE TOROIDALE FT63			
00E3	LA65280240	LAR65280240	FILTER [C]			
00E4	LAR65220300		TERMINAL BOARD			
00E5	LA65140380	LAR65140380	SWITCH [C]			1/29/2017
00E5	LA65140900	LAR65140900	SWITCH [C]		1/30/2017	
00E6	LA65140400	LAR65140400	SWITCH [C]			1/29/2017
00E6	LA65140910	LAR65140910	SWITCH [C]		1/30/2017	
00E7	LAR65140970		SURGE SUPPRESSOR (SNABBER) 3RT2926-1CD00		1/30/2017	
00E7	LAR65147110		SURGE SUPPRESSOR (SNABBER) 3RT1926-1CD00			1/29/2017
00E8	LA65070350	LAR65070350	THERMOSTAT [C] 360Å°C			
00E8	LA65070370	LAR65070370	THERMOSTAT [C] 360Å°C	UL Version (USA-CAN)		
00E9	LA65070380	LAR65070380	THERMOSTAT [C] 150Å°C	UL Version (USA-CAN)		
00E9	LAR65070081		THERMOSTAT [C] BOILER			
00S1	LA65302480	LAR65302480	POWER BOARD [C] NABOO			
00S2	LA65302520	LAR65302520	EXPANSION BOAD [C] BOILER NABOO			
00S3	LA65302530	LAR65302530	EXPANSION BOAD [C] WASHING SYSTEM NABOO			
00S4	LA65301740	LAR65301740	CABLE [C] SERIAL WITH PLUG RJ45 L=250			
00S5	LAR65140090		INVERTER [C] 0,8KW	UL Version (USA-CAN)		
00S5	LAR65140890		INVERTER [C] 0,8KW			
00S6	LA65210020	LAR65210020	FUSE CARRIER [C] 5X20			
00S7	LA65210050	LAR65210050	FUSE CARRIER [C] 6,3X32			
00S8	LA65301750	LAR65301750	CABLE [C] SERIAL WITH PLUG RJ45 L=600			
00S9	LA65280480	LAR65280480	FERRITE [C] FT25			
OC10	LA65321360	LAR65321360	CONNECTOR [C] L1000 FEMALE TO CORE PROBE 6 PINS			
OC11	LA65321102	LAR65321102	PROBE [C] K 4P 6 PIN IMP.2012			

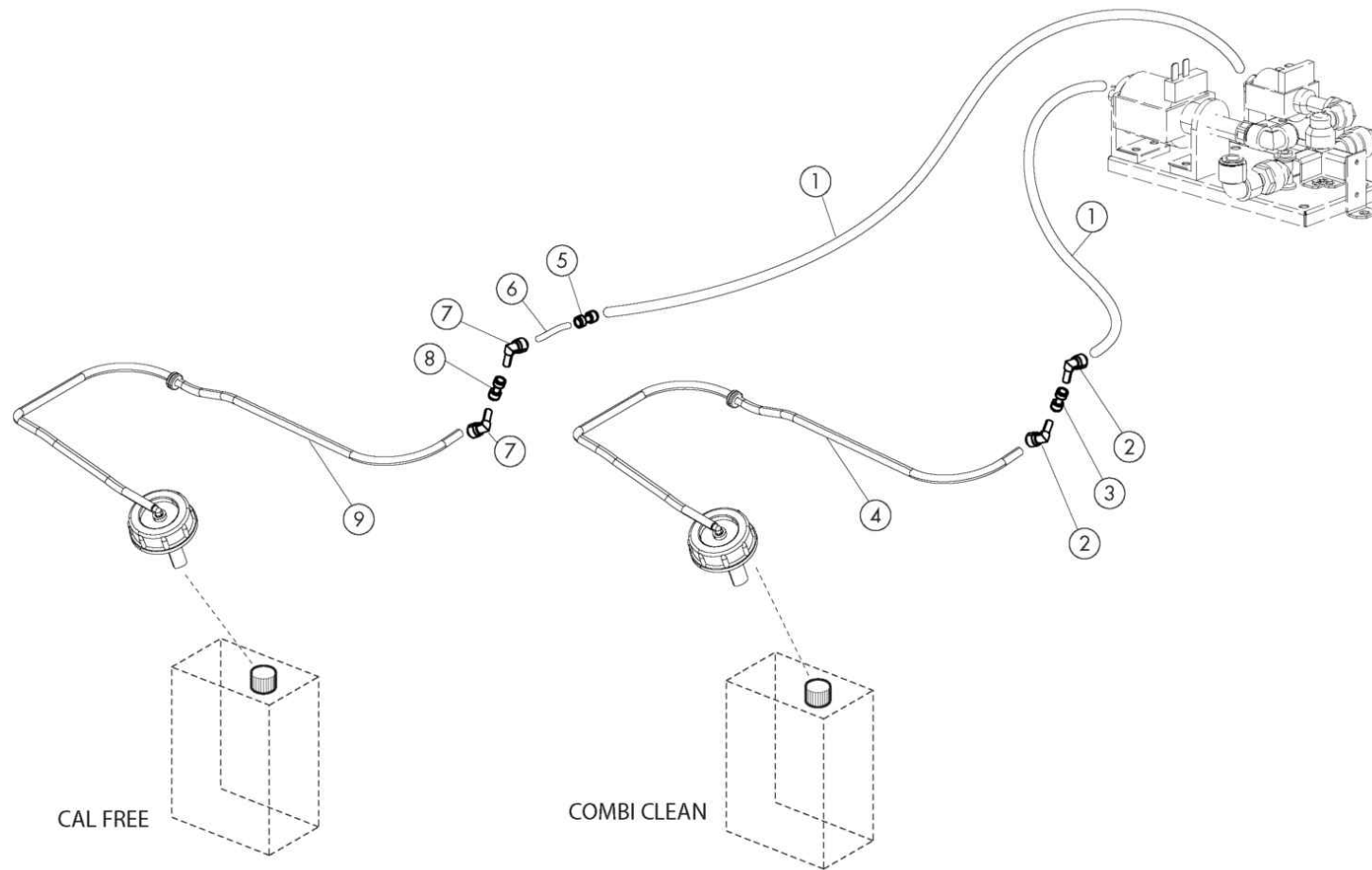
Pos.	Code	Codice precedente	Description	Notes	From:	To:
OC12	LAR86020400		VALIGETTA X SONDA AL CUORE TRASPARENTE			
OC13	LA65330060	LAR65330060	LOUDSPEAKER [C] CONTROL PANEL NA 2014			
OC15	LA65302600	LAR65302600	CABLE [C] CARD SWITCH CONNECTION USB 90Å° L=850			
OC16	LA65302560	LAR65302560	AERIAL [C]			
OC17	LA70010290	LAR70010290	GASKET [C] 115X2,5			
OE10	LA65180430	LAR65180430	TRANSFORMER [C] 40VA			
OE10	LA65187110	LAR65187110	TRANSFORMER [C] 40VA	UL Version (USA-CAN)		
OE11	LA65060050	LAR65060050	FAN [R] D. 120			
OE12	LAR75300020		PLATE [C] FAN D.120			
OE13	LA65190220	LAR65190220	CONDENSER [C] 0,47ÅµF 275V			
OE14	LAR65210110		PORTAFUSIBILE BUSMANN BCC3X38 (2306338)	UL Version (USA-CAN)		
OE15	LAR65200400		FUSIBILE X MOT. KTK-R-6 600V 6A CL. CC	UL Version (USA-CAN)		
OE16	LAR65210120		PORTAFUSIBILE BUSMANN T60060-3SR	UL Version (USA-CAN)		
OE17	LA65160580	LAR65160580	HEAT-GUARD [C] 1,8-2,5	UL Version (USA-CAN)		
OE18	LA65160550	LAR65160550	SUPPORT [C]	UL Version (USA-CAN)		



Attenzione! I disegni esplosi si riferiscono al modello generale

TAV. D

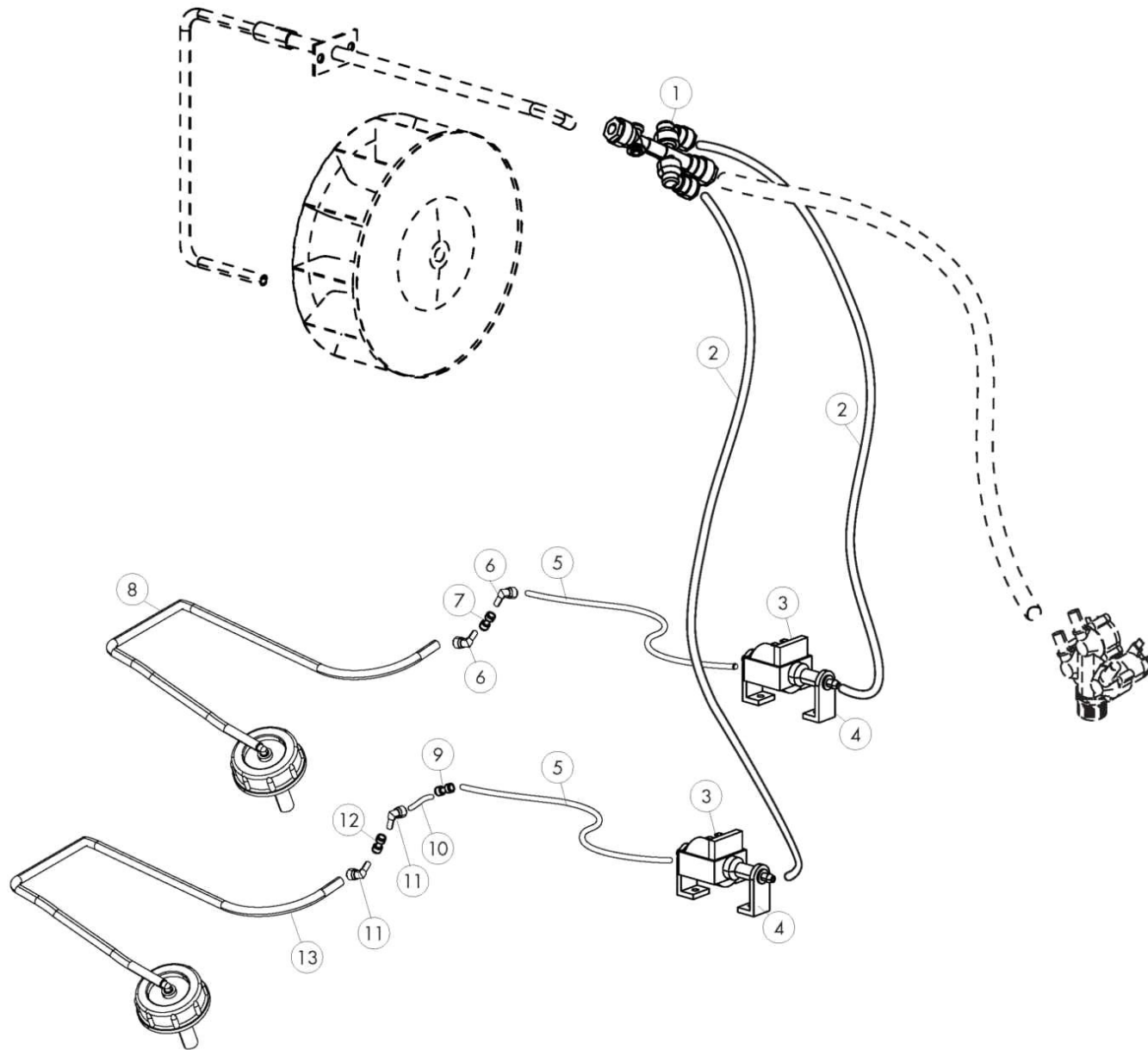
Pos.	Code	Codice precedente	Description	Notes	From:	To:
0001	LAR58007030		WASHING HEAD [C] L=165 (2/1)			
0002	LAR70045120		GASKET [C]			
0003	LAR58007020		FLANGE [C]			
0004	LA65090260	LAR65090260	GEARMOTOR [C]			
0005	LAR80150040		TUBO GOMMA PER ALIMENTI Di13 De23 T= +95Å°			
0006	LA62090478	LAR62090478	CONNECTOR [C] D.10			
0007	LA80150000	LAR80150000	PIPE [C]			
0008	LA62090888	LAR62090888	MANIFOLD [C] 3WAYS-2D.10+1D.8+3 NO RETURN CONTROL		7/7/2014	
0009	LA80150020	LAR80150020	PIPE [C]			
0010	LA62090498	LAR62090498	CONNECTOR [C] D.8			
0011	LA62090608	LAR62090608	END SIDE PIPE [C] 8x1/8			
0012	LAR65110600		PUMP [C]			
0014	LA80120060	LAR80120060	PIPE [C]			
0015	LA62090468	LAR62090468	CONNECTOR [C] T D.10			
0016	LAR65110270		SOLENOID VALVE [C] 220V 50HZ 3P+1D 4 WAYS			
0017	LA65110510	LAR65110510	REGULATOR [C] RED ALPHATECH. 15LT/ H			
0018	LA80150000	LAR80150000	PIPE [C]			
0019	LA62200142	LAR62200142	SHOWER HEAD [C] N201/202 2014			
0020	LA80150000	LAR80150000	PIPE [C]			



Attenzione! I disegni esplosi si riferiscono al modello generale

TAV. E

Pos.	Code	Codice precedente	Description	Notes	From:	To:
0001	LA80150020	LAR80150020	PIPE [C]			
0002	LA62090678	LAR62090678	ELBOW [C] Å, 8-Å, 8			
0003	LA62090688	LAR62090688	CONNECTOR [C]			
0005	LA62090798	LAR62090798	REDUCTION [C] Å, 8-Å, 6			
0006	LA80150030	LAR80150030	PIPE [C]			
0007	LA62090808	LAR62090808	ELBOW [C] Å, 6-Å, 6			
0008	LA62090828	LAR62090828	RING NUT [C] D.6			



Attenzione! I disegni esplosi si riferiscono al modello generale

TAV. F - SMOKEGRILL

Pos.	Code	Codice precedente	Description	Notes	From:	To:
0001	LA62090898	LAR62090898	MANIFOLD [C] 4WAYS-2D.10+2D.8+3 NO RETURN CONTROL			
0002	LA80150020	LAR80150020	PIPE [C]			
0003	LAR65110620		PUMP [C] 230V 50HZ			
0005	LA80150020	LAR80150020	PIPE [C]			
0006	LA62090678	LAR62090678	ELBOW [C] Å, 8-Å, 8			
0007	LA62090688	LAR62090688	CONNECTOR [C]			
0008	LAR14171480		TAPPO NERO SMOKEGRILL COMPLETO			
0009	LA62090798	LAR62090798	REDUCTION [C] Å, 8-Å, 6			
0010	LA80150030	LAR80150030	PIPE [C]			
0011	LA62090808	LAR62090808	ELBOW [C] Å, 6-Å, 6			
0012	LA62090828	LAR62090828	RING NUT [C] D.6			
0013	LAR14171470		TAPPO BIANCO SMOKEGRILL COMPLETO			