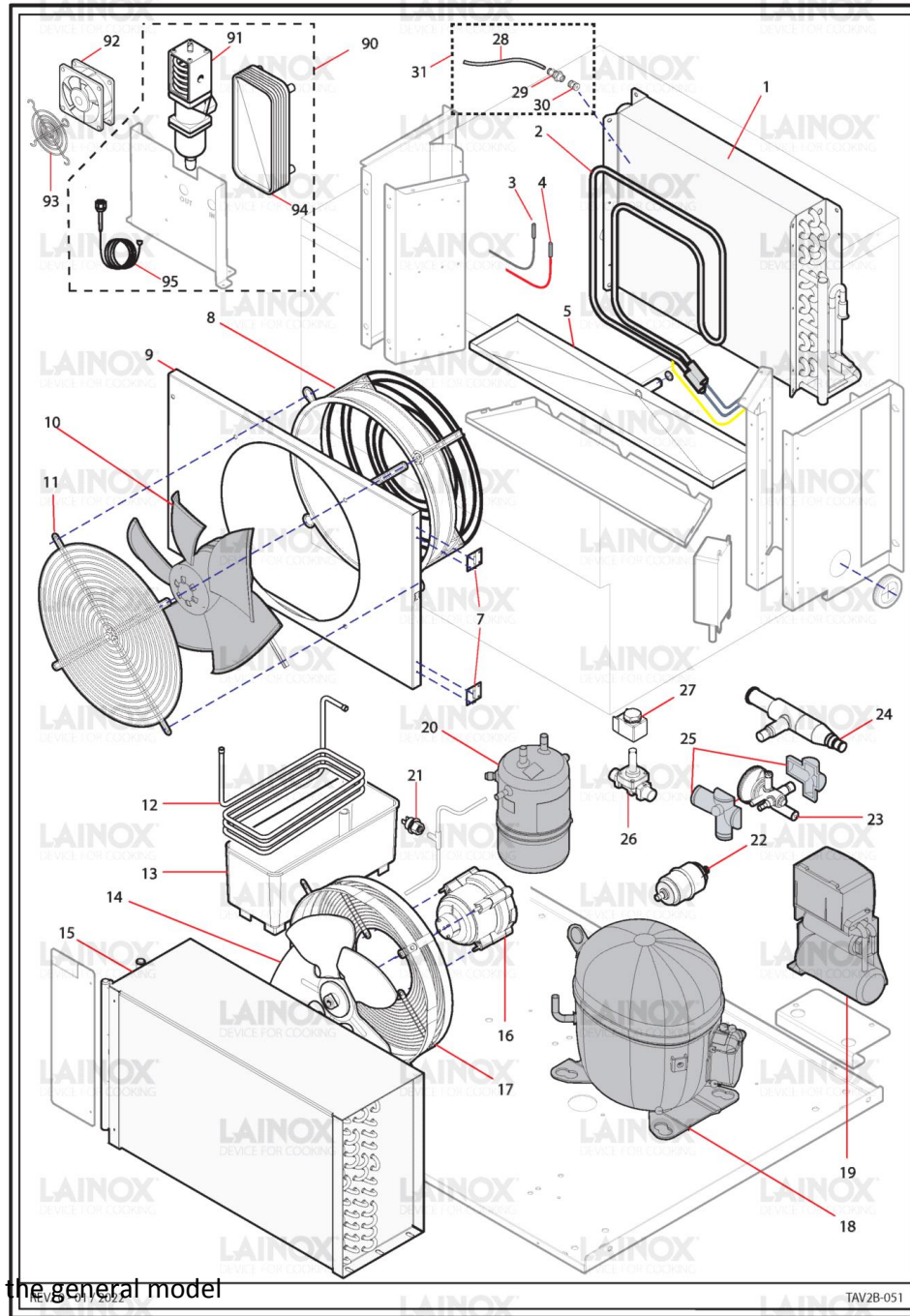


Warning! The exploded views refer to the general model

TAV1

Pos.	Code	Previous code	Description	Notes	From:	To:
0001	RF11A00004		DOOR GASKET BF 051 BLACK			
0002	RF32H00000		DOOR PANEL RIGHT 051 OEM			
0003	RF28B00054		UPPER LEFT/RIGHT HINGE BF			
0004	FR4759240		HINGE [R] FOR PIVOT UPPER DOOR FOR PENTAV. BLAST CHILLER			
0005	RF47R00012		DASH COMPLETE WITH GLASS 051/081			
0006	RF11H00008		SS DOOR BRACKET LH/RH BF			
0007	RF11R00010		DOOR STOPPER - RIGHT			
0008	RF26D00000		LOWER PANEL LH/RH BF051 BLACK			
0009	RF47R00015		KIT WORKTOP BC 051 DEPTH 800 MM			
0010	RF11A00011		DRIP GASKET BLAST CHILLER L=687			
0011	RF11R00004		CAP FOR BRACKET HOLE - LOWER PANEL BF			
0012	RF11N00000		MAGNET WITH THREADED PIN M5X9 D25			
0013	RF11D00099		PLASTIC MAGNETIC PROFILE HORIZ. L=735 BF 051/81/121/161			
0014	RF11D00100		PLASTIC MAGNETIC PROFILE VERTICAL L=465 BF051			
0015	RF28B00030		FRONT RACK BF 051			
0016	RF28B00031		REAR RACK BF 051			
0017	RF28C00004		SHELF SLIDE BC/BF 051/081/121/161			
0018	RF11R00003		BUSHING FOR FIXING RACKS SS BF			
0019	FR2110840		SPACER [C]			
0020	RF26A00003		REAR GRID COMPR. COMPARTMENT BF 051			
0021	BN011GENDESCR		NON UTILIZZATO SU QUESTO MODELLO			
0022	RF11R00009		DOOR STOPPER - LEFT			
0023	RF32H00001		DOOR PANEL LEFT 051 OEM			
0024	RF11M00000		CONDENSER FILTER SS NET 051-054			
0025	RF13E00011		CAVO SONDA SPIL TRAL 8POLI L=800			
0026	FR663A810		HEATED CORE PROBE [R] PT1000 L. 1,8M	Verificare con matricola / Check using serial numb	5/15/2022	8/29/2022
0026	RF13E00000		CORE PROBE PT1000 4 POINTS HEATED L=700			
0027	RF11R00006		SS SUPPORT CORE PROBE BF			
0028	FR4710700		PLASTIC CAP DRAIN BLAST CHILLER			
0029	FR997202	FR6510011	DRAIN [R] 1' AP3/BLAST CHILLER			
0030	FR4740100		PROTECTION [R]			
0031	FR6510140		PIPE [R] 1 G L. 40CM BLAST CHILLER 051			
0032	FR2110980		SCREW [R] M5X10			
0033	RF11P00004		FEET SS H70 - 100			

Pos.	Code	Previous code	Description	Notes	From:	To:
0034	RF11P00002		WHEEL WITHOUT BRAKE D60			
0035	RF11P00001		WHEEL WITH BRAKE D60			
0036	FR6350400		PLASTIC DRAIN TRAY [R] GN 1/1 H. 50			
0037	RF26F00015		DRAINPAN SLIDE			
0038	RF47R00011		KIT OVERFLOW BLAST FREEZER			



Warning! The exploded views refer to the general model

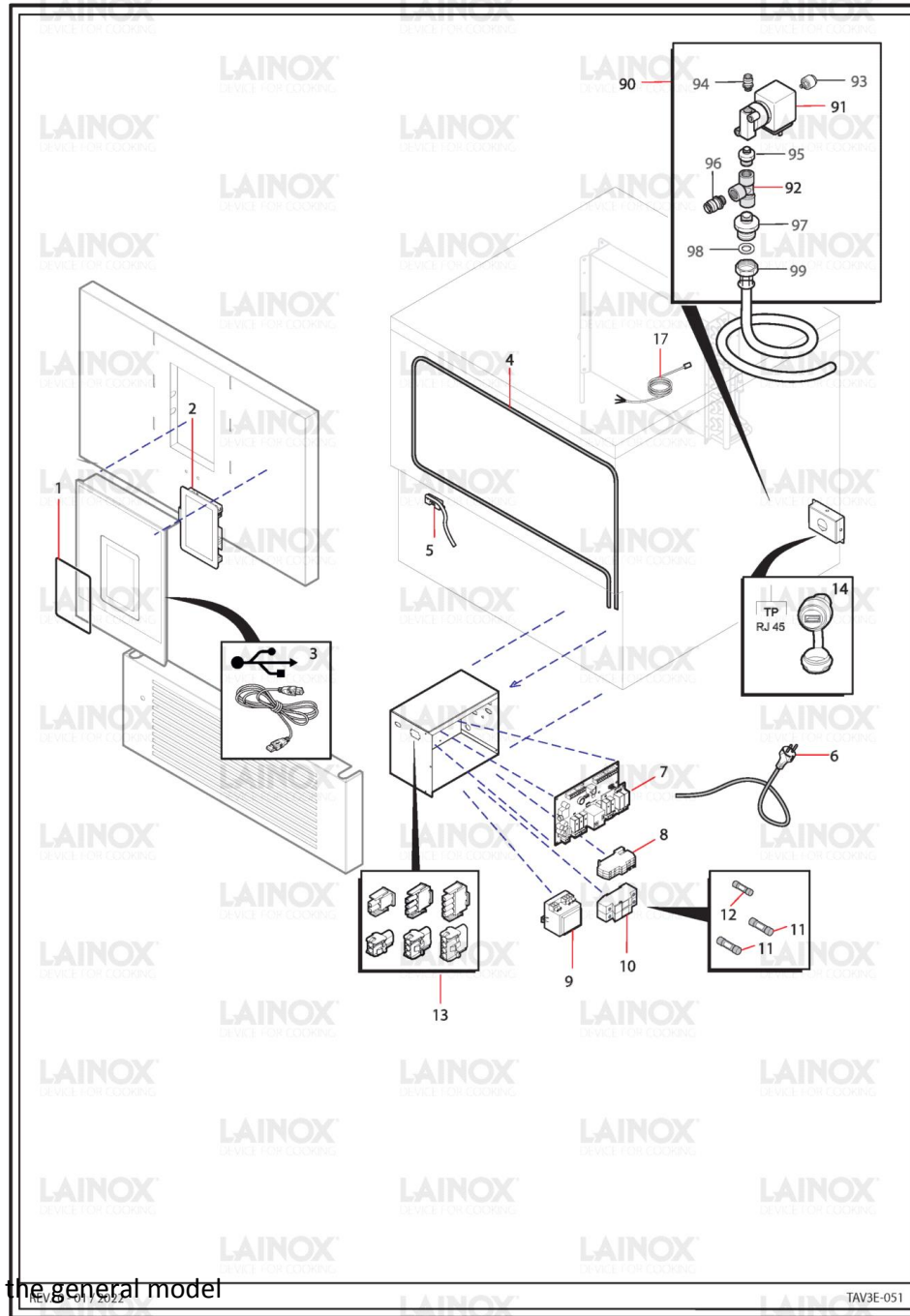
REV. 01/2022

TAV2B-051

TAV2

Pos.	Code	Previous code	Description	Notes	From:	To:
0001	RF12C00012		EVAPORATOR BF 051			
0002	RF13C00007		ARMOURED HEATING ELEMENT 800W FOR MULTIFUNCTION			
0003	FR6631540		AIR PROBE [R] PTC L. 2500			
0004	FR6631260		EVAPORATOR PROBE [R] PTC L. 2500			
0005	RF36G00018		EVAPORATOR DRAIN PAN BF L=560			
0007	FR6410711		HINGE [R]			
0008	RF36H00018		ASSEMBLY GRID AND COLLAR - SUPPORT FAN D=300			
0009	RF28E00094		EVAPORATOR CONVEYOR L=570 D=310 BF 051			
0010	RF13G00017		AXIAL FAN FN030-4IA.ZC.V 230/1 UL			
0011	RF11I00012		GRID PROTECTION FAN D=300 BF			
0012	RF12L00054		COIL TUBE DN6 BF 051/081			
0013	FR4740240		WATER DRAIN TRAY BLAST CHILLER NEW			
0014	RF12Z00000		CONDENSATOR FAN BLADE D=244MM x 28	AIR COOLED		
0015	RF12B00006		CONDENSER BF 051	AIR COOLED		
0016	RF13G00021		AXIAL FAN EFA20250NC2006 220/1/50-60	AIR COOLED		
0017	RF12Z00002		CONDENSER FAN SUPPORT D250MM	AIR COOLED		
0018	BN01SERVICE		PER IDENTIFICAZIONE CONTATTARE SERVICE	R290 - 208-230/1N~/60		
0018	FR6683010		COMPRESSOR [R] R404A 50HZ	R452 - 220-240/1N~/50		
0018	RF12A00019		COMPRESSOR NT2192GK R404 208-230/1/60	R452A - 208-230/1N~/60		
0018	RF12A00030		COMPRESSOR NTX2211U 220-240/1/50 R290	R290 - 220-240/1N~/50		
0019	FR6636040		ELECTRIC BOX [R]	R452 - 220-240/1N~/50		
0020	RF12G00011		RECEIVER/SEPARATOR/HEAT EXCHANGER 100X242 ODS8 051-081			
0021	FR663B330		MINIPRESS.HBP 061F8196 AUT NC29,5/22			
0022	FR6525570		FILTER [R] DRIER	R452A		
0022	RF12G00053	FR6520472	FILTRO DISIDRATORE UL 30GR E=6 U=6 XH9	R290		
0023	RF12H00018		THERMOSTATIC EXPANSION VALVE TUBE ORIFICE 5 MOP50	R452A		
0023	RF12H00034		THERMOSTATIC EXPANSION VALVE TUBE ORIFICE 5 MOP R290	R290		
0024	RF12G00019		PRESSURE REGULATOR KVL12 DIN-EN12			
0025	RF12Z00004		THERMOSTATIOC VALVE INSULATION TUBE			
0026	FR6850332		SOLENOID VALVE 6MM [R]			
0027	FR6851142		COIL [R] 220/240V 50/60HZ			

Pos.	Code	Previous code	Description	Notes	From:	To:
0028	RF14D00019		TUBE FOR WATER 4x6 MM â€ WRAS			
0029	RF14D00012		PUSH-IN NOZZLE-HOSE FITTING Â¼-4X6			
0030	RF11Z00000		HUMIDITY NOZZLE 1/4 AISI 316			
0031	BN011GENDESCR		NON UTILIZZATO SU QUESTO MODELLO			
0090	BN01SERVICE		PER IDENTIFICAZIONE CONTATTARE SERVICE	WATER COOLED		
0091	BN011GENDESCR		NON UTILIZZATO SU QUESTO MODELLO	WATER COOLED		
0092	BN011GENDESCR		NON UTILIZZATO SU QUESTO MODELLO	WATER COOLED		
0093	BN011GENDESCR		NON UTILIZZATO SU QUESTO MODELLO	WATER COOLED		
0094	BN011GENDESCR		NON UTILIZZATO SU QUESTO MODELLO	WATER COOLED		
0095	BN011GENDESCR		NON UTILIZZATO SU QUESTO MODELLO	WATER COOLED		



Warning! The exploded views refer to the general model

TAV3E-051

TAV3

Pos.	Code	Previous code	Description	Notes	From:	To:
0001	RF11A00013		GASKET DISPLAY 7			
0002	RF13A00035		DISPLAY 7 MULTI NEO24 LNX			
0003	LA65302600		CABLE [C] BOARD/USB OUTLET L. 850			
0004	RF13C00009		DOOR HEATING ELEMENT 051 L=2200 UL			
0005	FR6640291		MAGNETIC MICROSWITCH [R] DOOR			
0006	RF13J00038		POWER CABLE SCHUKO L=4000MM			
0007	RF13A00051		POWER BOARD NEO24 REV1			
0008	BN01SERVICE		PER IDENTIFICAZIONE CONTATTARE SERVICE			
0009	RF13B00011		TRANSFORMATOR 230/12 36VA 25TR036C			
0010	FR6649340		FUSE HOLDER [C]			
0010	RF13N00026		FUSEHOLDER TERMINAL 5X20			
0011	FR6641350		FUSIBILE 10X38 WEBER 16A AM			
0012	FR6648580		FUSIBILE 5X20 RAPIDO 500mA			
0013	BN01SERVICE		PER IDENTIFICAZIONE CONTATTARE SERVICE			
0014	RF13K00011		KIT ETHERNET PLUG + CAP			
0017	RF13J00025		SAFETY THERMOSTAT BF 051/081			
0090	RF47R00010		KIT HUMIDITY VALVE BF MULTIFUNCTION			
0091	RF12G00009		3-WAY SOLENOID VALVE E371AM25/1/U35E 316 UL			
0092	RF14D00013		T-PUSH-IN 1/4 x 1/4 x 5/16			
0093	BN01SERVICE		PER IDENTIFICAZIONE CONTATTARE SERVICE			
0094	BN01SERVICE		PER IDENTIFICAZIONE CONTATTARE SERVICE			
0095	BN01SERVICE		PER IDENTIFICAZIONE CONTATTARE SERVICE			
0096	BN01SERVICE		PER IDENTIFICAZIONE CONTATTARE SERVICE			
0097	BN01SERVICE		PER IDENTIFICAZIONE CONTATTARE SERVICE			
0098	BN01SERVICE		PER IDENTIFICAZIONE CONTATTARE SERVICE			
0099	BN01SERVICE		PER IDENTIFICAZIONE CONTATTARE SERVICE			