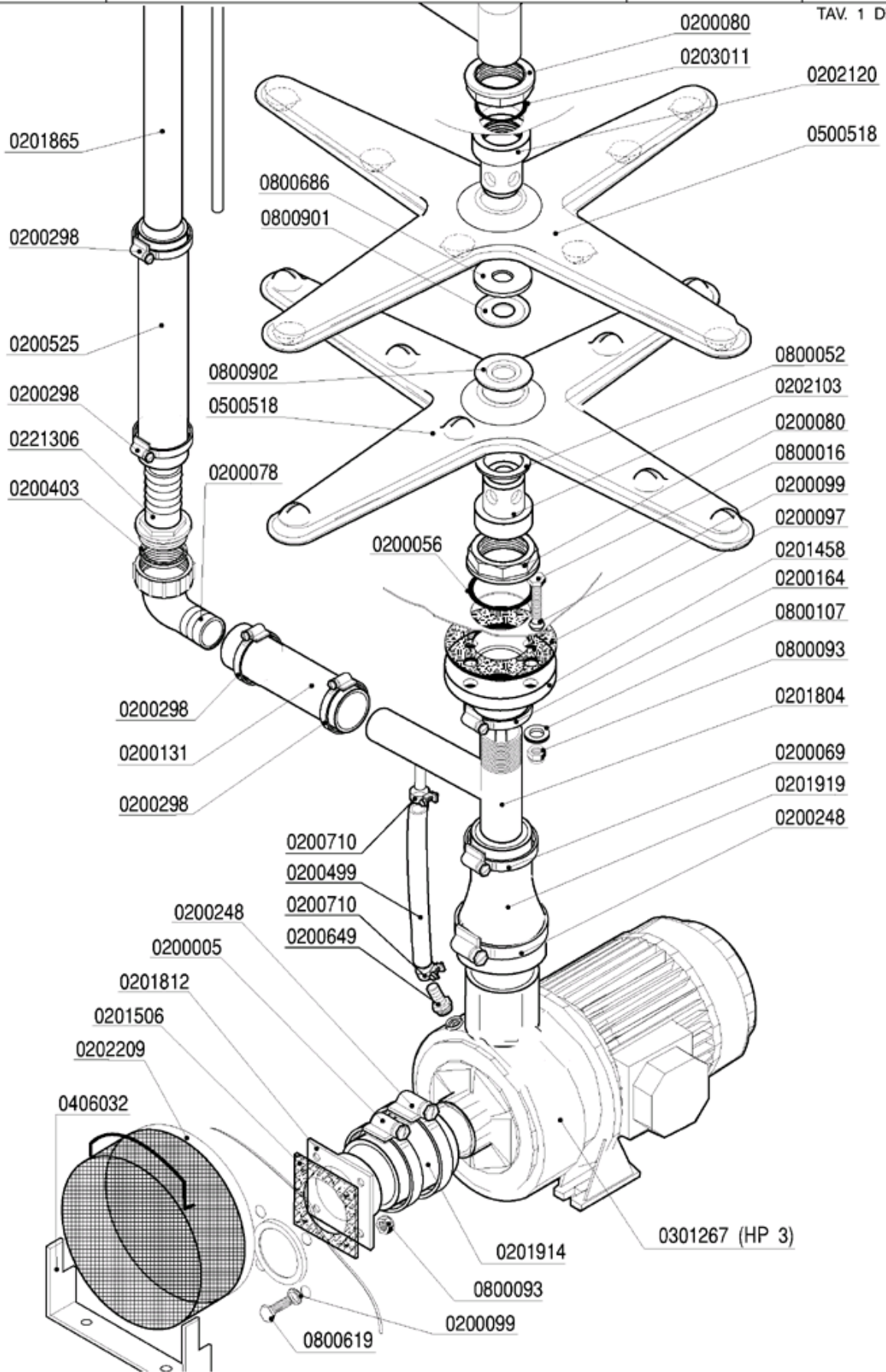
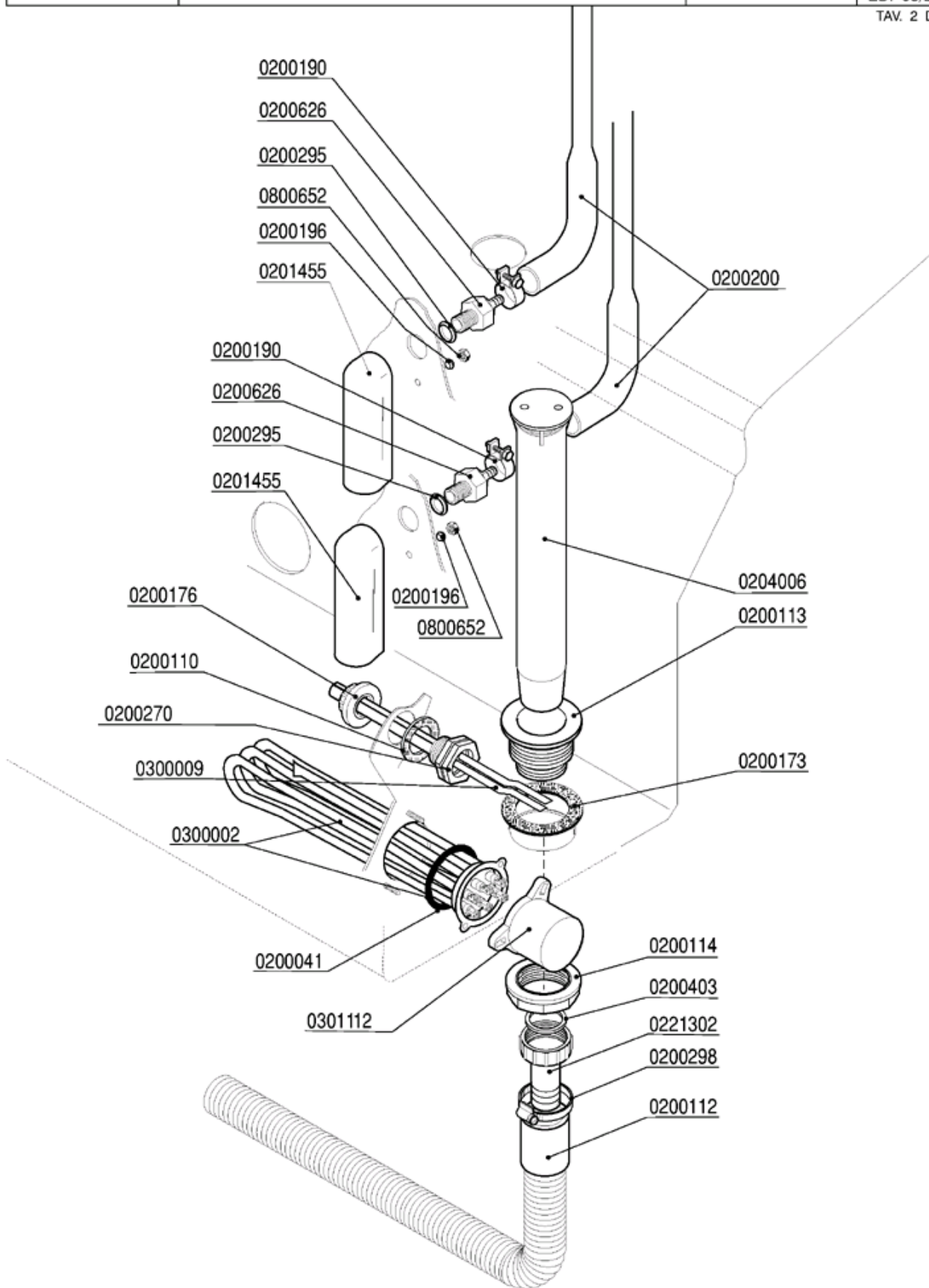


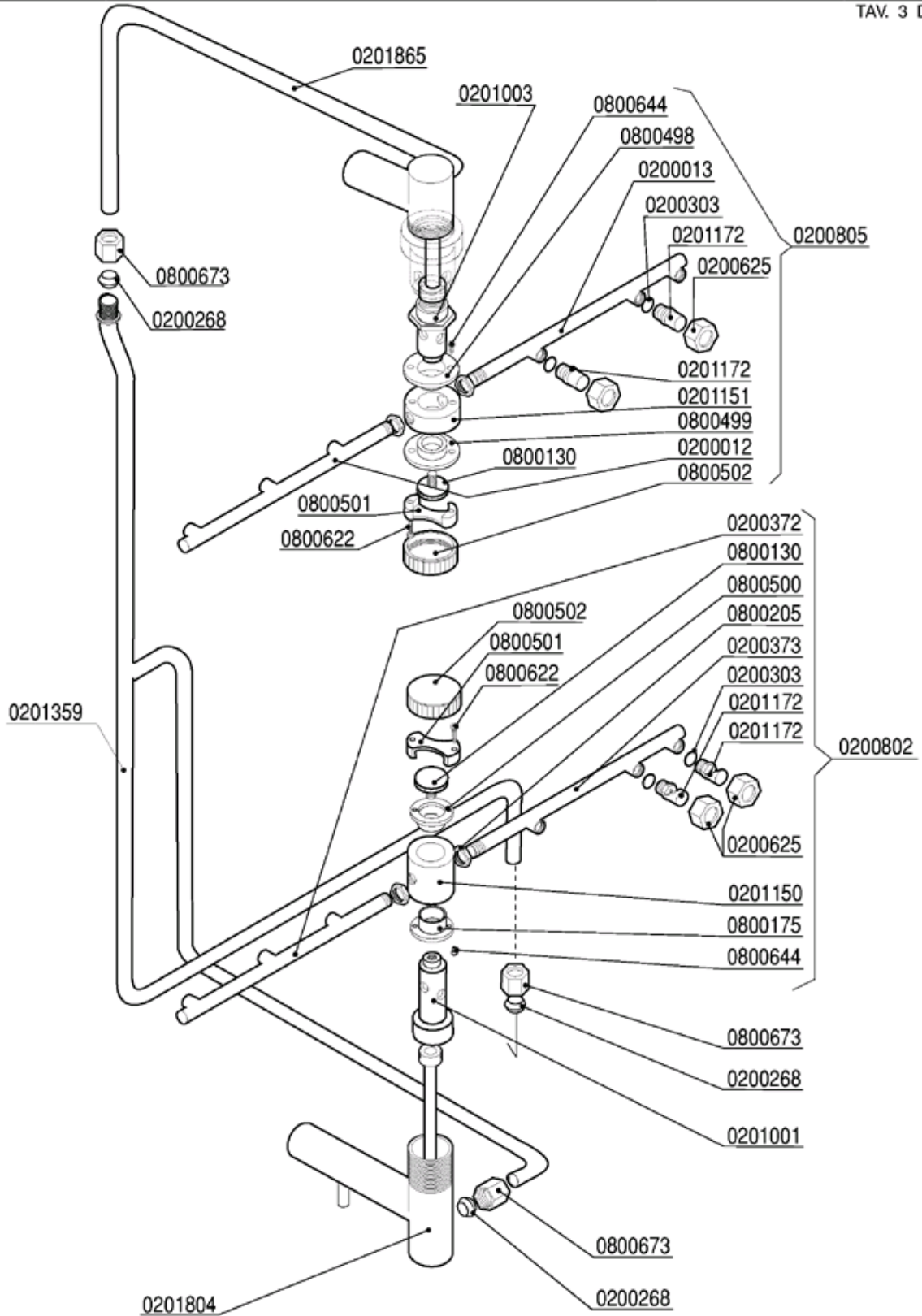
- 1 - WASH COMPONENTS
- 2 - TANK COMPONENTS
- 3 - RINSE COMPONENTS
- 4 - BOILER
- 5 - CONTROL BOX
- 6 - SLIDE AND FILTERS
- 7 - BASE
- 8 - HOOD
- 9 - LIFTING COMPONENTS



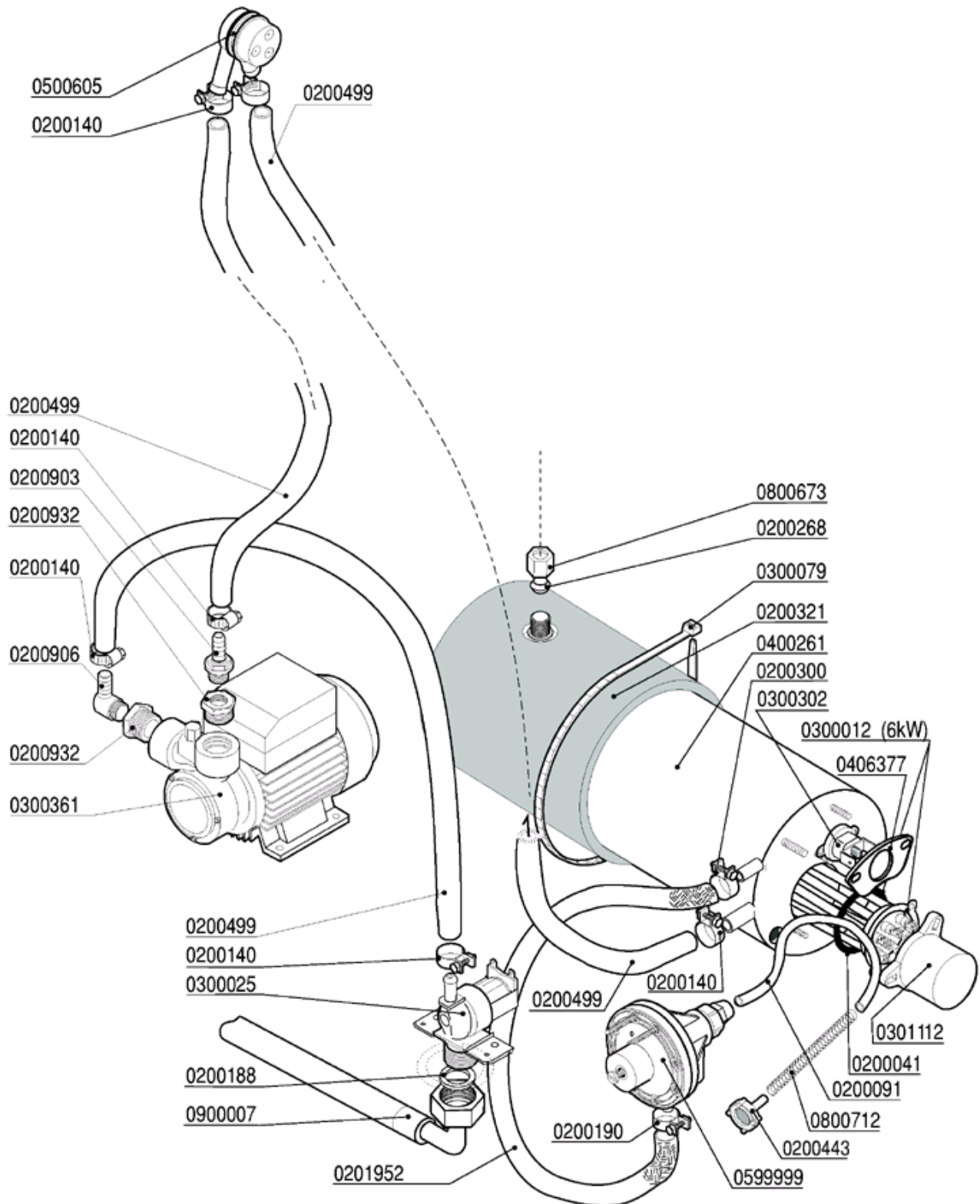
| CODE | DESCRIPTION |
|---------|--|
| 0200005 | CLAMP 50-70 |
| 0200056 | OR 144 DRAINS 1"¼ |
| 0200069 | CLAMP 40-60 |
| 0200078 | DRAIN UNION 1"1/4X32 2121 RIF.21+22 8121 |
| 0200080 | RING NUT 1"¼ 2190 PA |
| 0200097 | RUBBER JOINT 105X45X3 4H |
| 0200099 | NYLTITE JOINT M8 |
| 0200131 | RADIOR SLEEVE 30X100 F 1854-94 |
| 0200164 | CLAMP 32-50 |
| 0200248 | CLAMP 60-80 |
| 0200298 | CLAMP 25-40 |
| 0200403 | FLAT JOINT 38X27X2 3794 |
| 0200499 | RUBBER HOSE 12X19,5 FOOD QUALITY |
| 0200525 | RADIOR HOSE D.I.30 |
| 0200649 | DWO WATER RECYCLING HOSE CONNECTION 5002 |
| 0200710 | RUGGED CLAMP 14-27/12.7 |
| 0201458 | COUPLING FLANGE 1"¼ D.110 |
| 0201506 | JOINT 100X100XSP.3 F.72 3451 |
| 0201804 | WASHING AND RINSING MANIFOLD L25 |
| 0201812 | EXTERNAL FLANGE PUMP HP3 LP 4090-4089 |
| 0201865 | WASHING MANIFOLD UPPER P700-2000 |
| 0201914 | SLEEVE RADIOR 60 H.50 4667 |
| 0201919 | REDUCED SLEEVE ELLE 4666 60X43X150 |
| 0202103 | WASH ARM BOSS D.18 4H NSF |
| 0202120 | WASH ARM BOSS D.22 4H NSF |
| 0202209 | SUCTION FILTER MATIC-ELLE |
| 0203011 | JOINT 6162 UPPER WASHING F |
| 0221306 | RUBBER PIPPE FIFTING 1" 1/4X32 |
| 0301267 | WASH PUMP HP 3 DWO 300-P700 |
| 0406032 | SUCTION FILTER BEARING MATIC/L 3153 |
| 0500518 | WASH ARM P700 4 SPOKES 7781 |
| 0800016 | SCREW TEM8X40 STAINLESS STEEL |
| 0800052 | TEFLON WASHER 57X42X2 |
| 0800093 | SELFLOCKING GALVANIZED NUT M8 |
| 0800107 | BRASS FLAT RING |
| 0800619 | M8X20 2,2MM HEAD SCREW |
| 0800686 | NYLON WASHER 50X22.2X2 2782-96 |
| 0800901 | WASH ARM S.S.WASHER 50X22,2 2781 |
| 0800902 | S.S.WASH ARM WASHER L25 2987 D.18 |



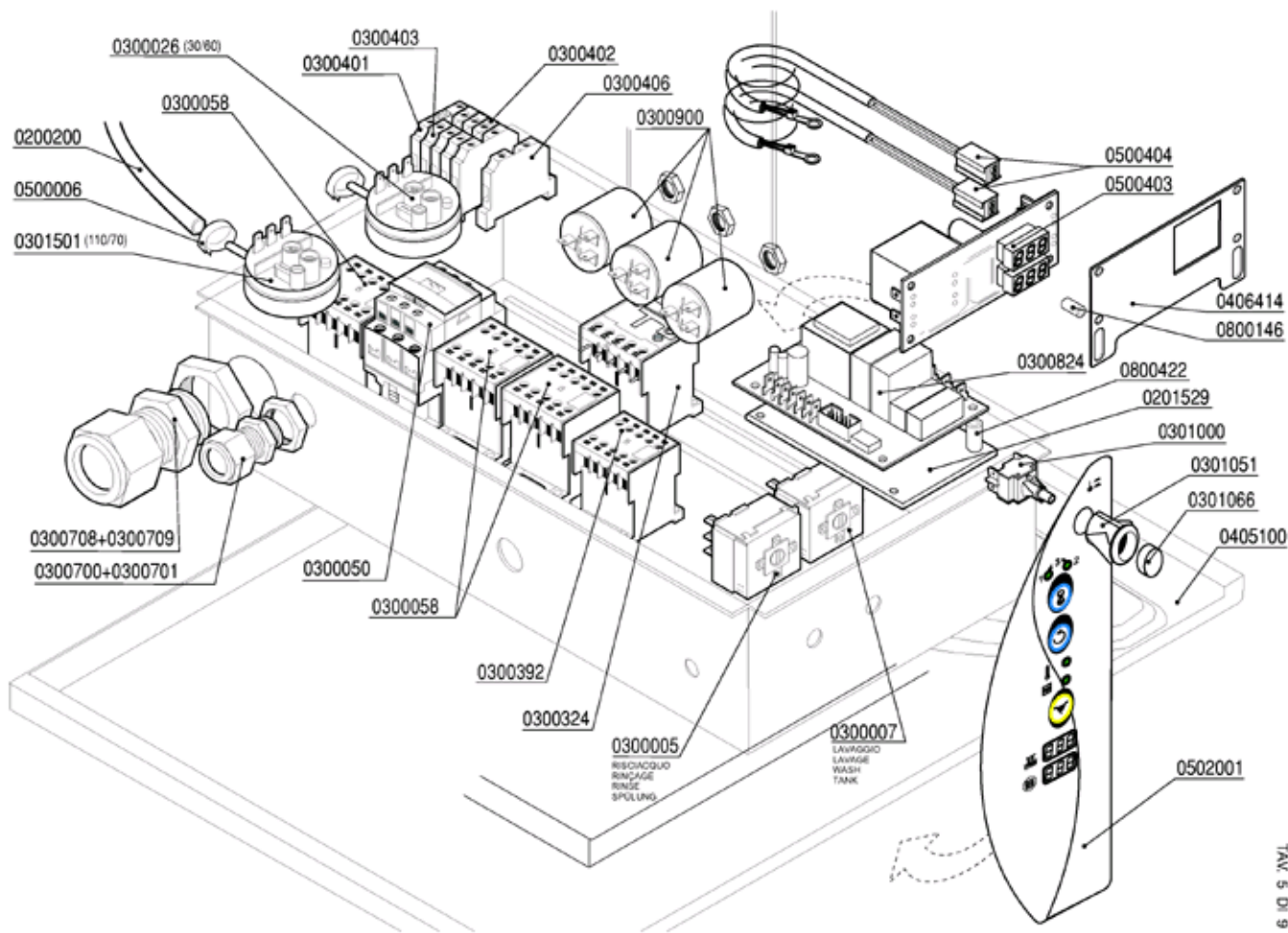
| CODE | DESCRIPTION |
|---------|---------------------------------------|
| 0200041 | OR 6225 RINSETANK ELEMENT |
| 0200110 | FLAT JOINT 31X21X2 |
| 0200112 | DRAIN HOSE D.28 C/317 |
| 0200113 | DRAIN 007 REF.18 |
| 0200114 | NUT 2" DRAIN PLUG 2190 |
| 0200173 | RUBBER JOINT 75X58X2 REF.19 |
| 0200176 | NUT ½" 2190 |
| 0200190 | CLAMP 13X15 |
| 0200196 | NYLTITE JOINT M3 |
| 0200200 | LUG HOSE FOR PRESSURE SWITCH 4537 |
| 0200270 | DOUBLE SHEATH ½" ES25 7X8X120 |
| 0200295 | NYLTITE JOINT M12 |
| 0200298 | CLAMP 25-40 |
| 0200403 | FLAT JOINT 38X27X2 3794 |
| 0200626 | RUBBER PIPE FITTING FOR AIR TRAP ELLE |
| 0201455 | FRONT AIR TRAP L=85MM |
| 0204006 | OVERFLOW 45X410 P700-2000 6732 |
| 0221302 | STRAIGHT DRAIN UNION 1"¼X32 PA |
| 0300002 | S.S.ELEMENT 4500W/3 FLANGE |
| 0300009 | CLUTCH SPRING REF.134 |
| 0301112 | COVER FOR HEATER 1 ELEMENT 3X6MM |
| 0800652 | S.S. SELFLOCKING NUT M3 |



| CODE | DESCRIPTION |
|-------------|--|
| 0200012 | RH RINSE ARM 230MM BASKET 50 |
| 0200013 | LH RINSE ARM 230MM BASKET 50 |
| 0200268 | BICONIC NUT TEFLON 3/8X12 |
| 0200303 | OR 2021 RINSE NOZZLES |
| 0200372 | RH RINSE ARM FOR P700 |
| 0200373 | LH RINSE ARM FOR P700 |
| 0200625 | S.S.NOZZLE FIXING RING NUT 2611 |
| 0200802 | LOWER RINSE ARM FOR P700 |
| 0200805 | UPPER RINSE ARM P700 |
| 0201001 | LOWER RINSE PIVOT LP P700 2019/94 |
| 0201003 | UPPER RINSE PIVOT 2608/96 NSF |
| 0201150 | RINSE ARM HEAD LP-PT 2017 |
| 0201151 | RINSE ARM ROTATING BOSS 2142/95 |
| 0201172 | S.S.RINSE NOZZLE HOLE 1,2 2609 |
| 0201359 | EXTERNAL RINSE WATER PIPE P700-2000 5612 |
| 0201804 | WASHING AND RINSING MANIFOLD L25 |
| 0201865 | WASHING MANIFOLD UPPER P700-2000 |
| 0800130 | UPPER ROTATING RINSE ARM SCREW |
| 0800175 | RINSE ARM BUSH FOR POT-WASHING MACHINES |
| 0800205 | S.S.NUT M12X1 724 E16S5 |
| 0800498 | LB RINSE ARM BUSH D.16.2 2143 |
| 0800499 | LB RINSE ARM BUSH D.13.3 2606 |
| 0800500 | RINSE ARM BUSH FOR POT-WASHING MACHINES |
| 0800501 | BLOCK FOR EDDY SCREW UPPER RINSE 7366 |
| 0800502 | COVER FOR EDDY SCREW UPPER RINSE 7898 |
| 0800622 | S.S. SCREW TPSTCR M3X16 |
| 0800644 | S.S. SCREW TPSTCR M3X8 |
| 0800673 | BRASS BICONIC NUT |



| CODE | DESCRIPTION |
|-------------|---|
| 0200041 | OR 6225 RINSETANK ELEMENT |
| 0200091 | CRYSTAL HOSE PP 4X6 |
| 0200140 | CLAMP 17X19 |
| 0200188 | RUBBER SEAL 25X16X2 |
| 0200190 | CLAMP 13X15 |
| 0200268 | BICONIC NUT TEFLON 3/8X12 |
| 0200300 | PIPE CLAMP 15X17 |
| 0200321 | RINSETANK INSULATION 9LT |
| 0200443 | RINSE AID PUMP BOTTOM FILTER |
| 0200499 | RUBBER HOSE 12X19,5 FOOD QUALITY |
| 0200903 | BRASS RUBBER PIPE FITTING 1/2X16 |
| 0200906 | BRASS ELBOW RUBBER PIPE FITTING |
| 0200932 | BRASS FLARING SLEEVE |
| 0201952 | SILICONE/STEEL DOSING PUMP/BOILER HOSE |
| 0300012 | ELEMENT 6000W/3 S.S.FLANGE |
| 0300025 | SIMPLE SOLENOID VALVE |
| 0300079 | CLAMP FOR RINSETANK INSULATION |
| 0300302 | UNIPOLAR SAFETY THERMOSTAT 105° BN5 |
| 0300361 | BRASS BOOSTER PUMP HP 0,5 PQM60BZ |
| 0301112 | COVER FOR HEATER 1 ELEMENT 3X6MM |
| 0400261 | RINSETANK 8LT L25 |
| 0406377 | PLATE FOR RINSETANK THERMOSTAT DSP 7267 |
| 0500605 | VACUUM BREAKER VALVE DVGW GD |
| 0599999 | RINSE AID PUMP TYPE 3000 |
| 0800673 | BRASS BICONIC NUT |
| 0800712 | S.S.SPRING 160MM RINSE AID PUMP HOSE |
| 0900007 | S.S. FILL HOSE 3/4" |



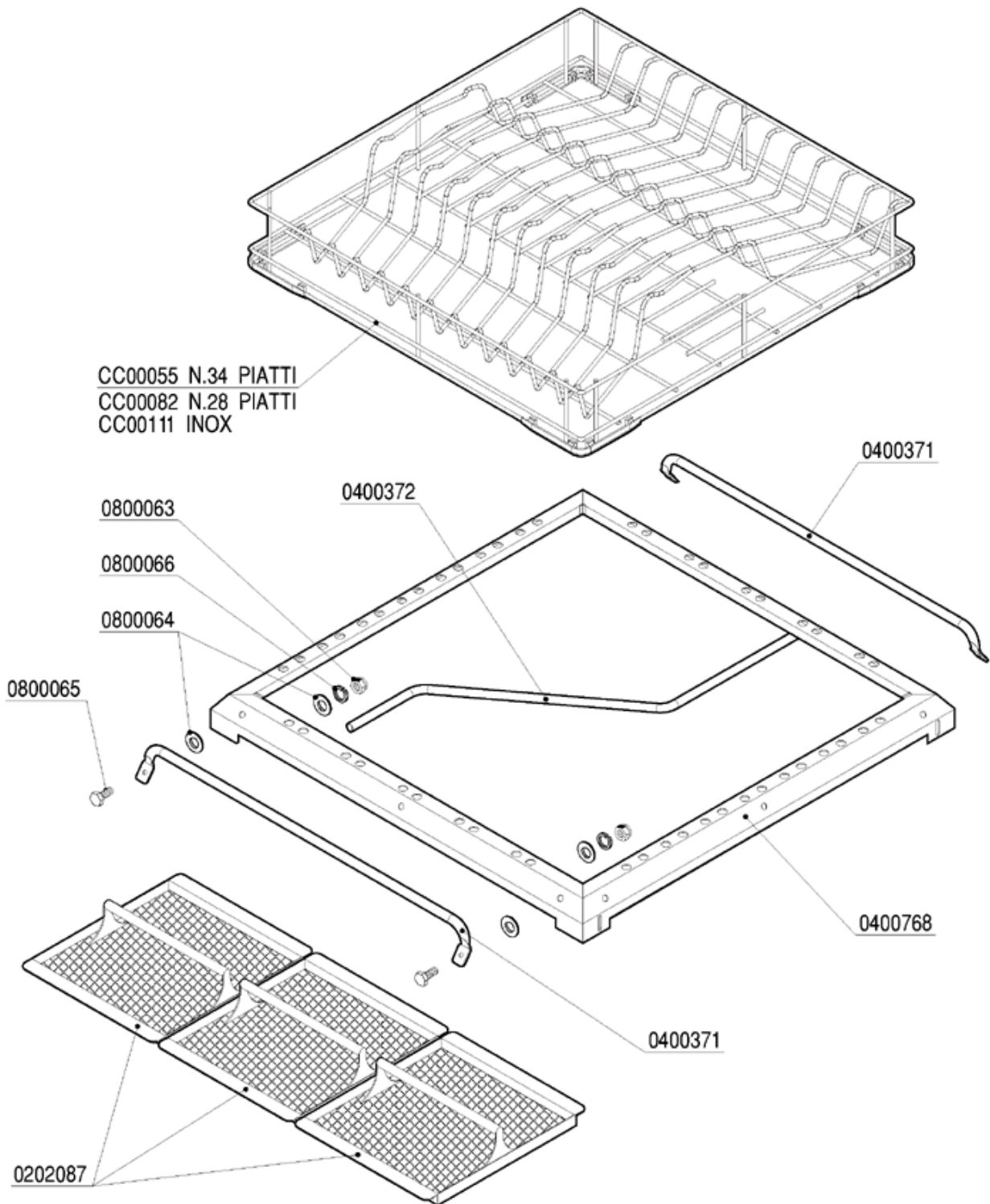
QUADRO ELETTRICO - TABLEAU ELECTRIQUE
CONTROL BOX - SCHALT-TAFEL - CAJA ELECTRICA

MOD.
PT800-ek

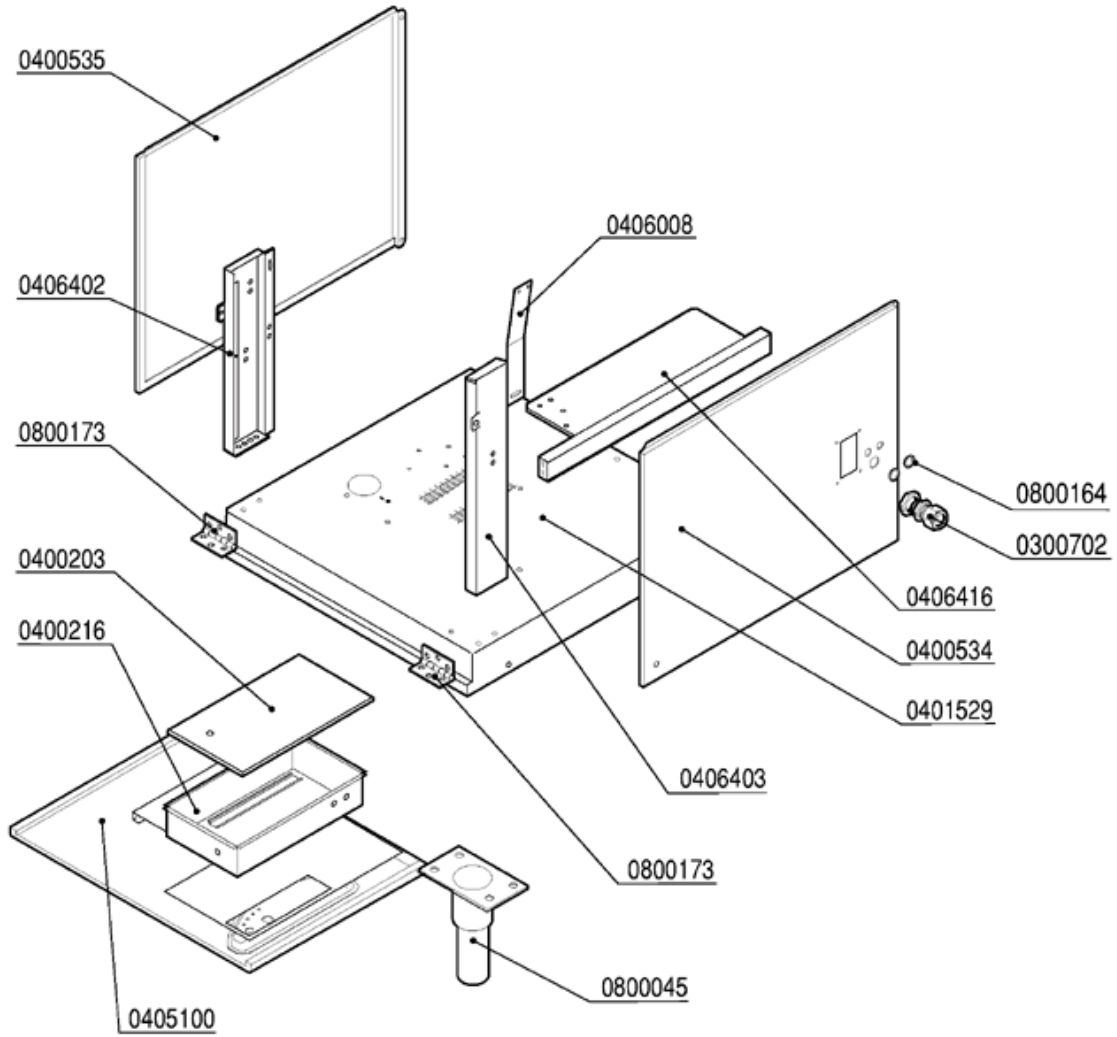
TAV.
5 A

ED. 03/2010
TAV. 5 DI 9

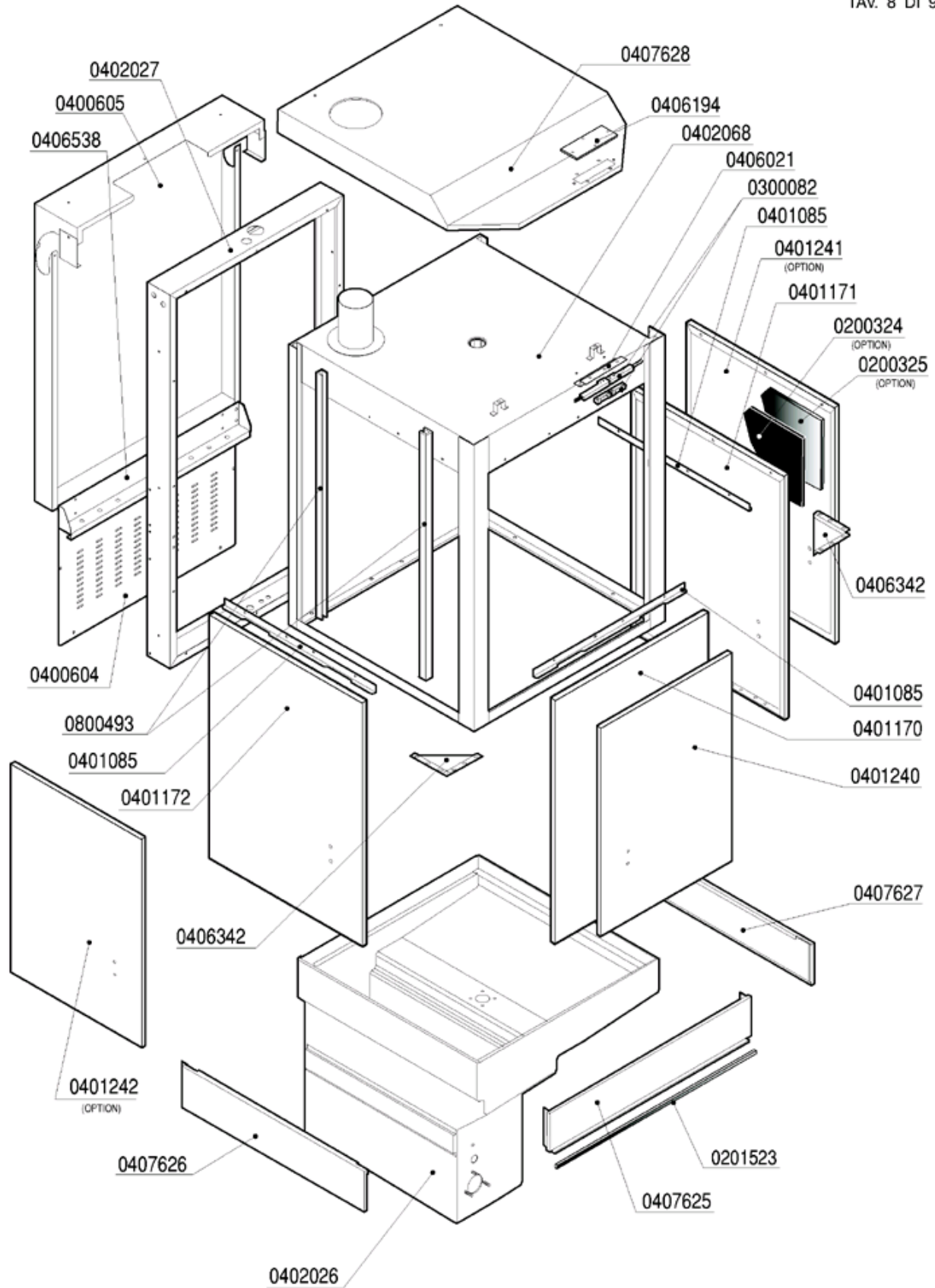
| CODE | DESCRIPTION |
|-------------|---|
| 0200200 | LUG HOSE FOR PRESSURE SWITCH 4537 |
| 0201529 | INSULATING PLATE FOR TIMER 7461 |
| 0300005 | THERMOSTAT 90°C 1NONC BOILER IMIT |
| 0300007 | THERMOSTAT 70°C C.2100V.1NONC TANK IMIT |
| 0300026 | LEVEL SWITCH 60/30 16A 1NONC |
| 0300050 | CONTACTOR 25A 4NO 50HZ 2172 |
| 0300058 | CONTACTOR 16A 4NO LC1-K0610M7 |
| 0300324 | THERMIC RELAY 16A 3,7-5,5A |
| 0300392 | CONTACTOR 16A 3NO1NC AUX LSO7.01 |
| 0300401 | YELLOW GREEN TERMINAL 6 MMQ EARTH |
| 0300402 | BEIGE TERMINAL 6 MMQ |
| 0300403 | NEUTRAL BLUE TERMINAL 6 MMQ |
| 0300406 | RED TERMINAL 4 MMQ |
| 0300700 | CABLE CLAMP PG 13,5 VDE |
| 0300701 | LOCK NUT PG13,5 VDE |
| 0300708 | CABLE CLAMP PG29 |
| 0300709 | LOCK NUT PG29 |
| 0300824 | PCB BOARD "EK" RANGE |
| 0300900 | ANTIJAMMING FILTER 411135001 |
| 0301000 | GREEN ON/OFF SWITCH 16A 2NO 30X30 |
| 0301051 | OVAL PUSHBOTTON SUPPORT |
| 0301066 | GREEN OVAL PUSH BUTTON |
| 0301501 | LEVEL SWITCH 110/70 |
| 0406414 | PLATE FOR ELECTRONIC THERMOMETERS L25 |
| 0500006 | CLAMP CLIC 11,5-13,5 |
| 0500403 | DOUBLE ELECTRONIC THERMOMETER |
| 0500404 | ELECTRONIC THERMOMETER FEELER |
| 0502001 | MEMBRANE KEYBOARD ELLE L25EK |
| 0800146 | SPACER AVP M3X10 DIGITAL THERMOMETER |
| 0800422 | THREADED SPACER |



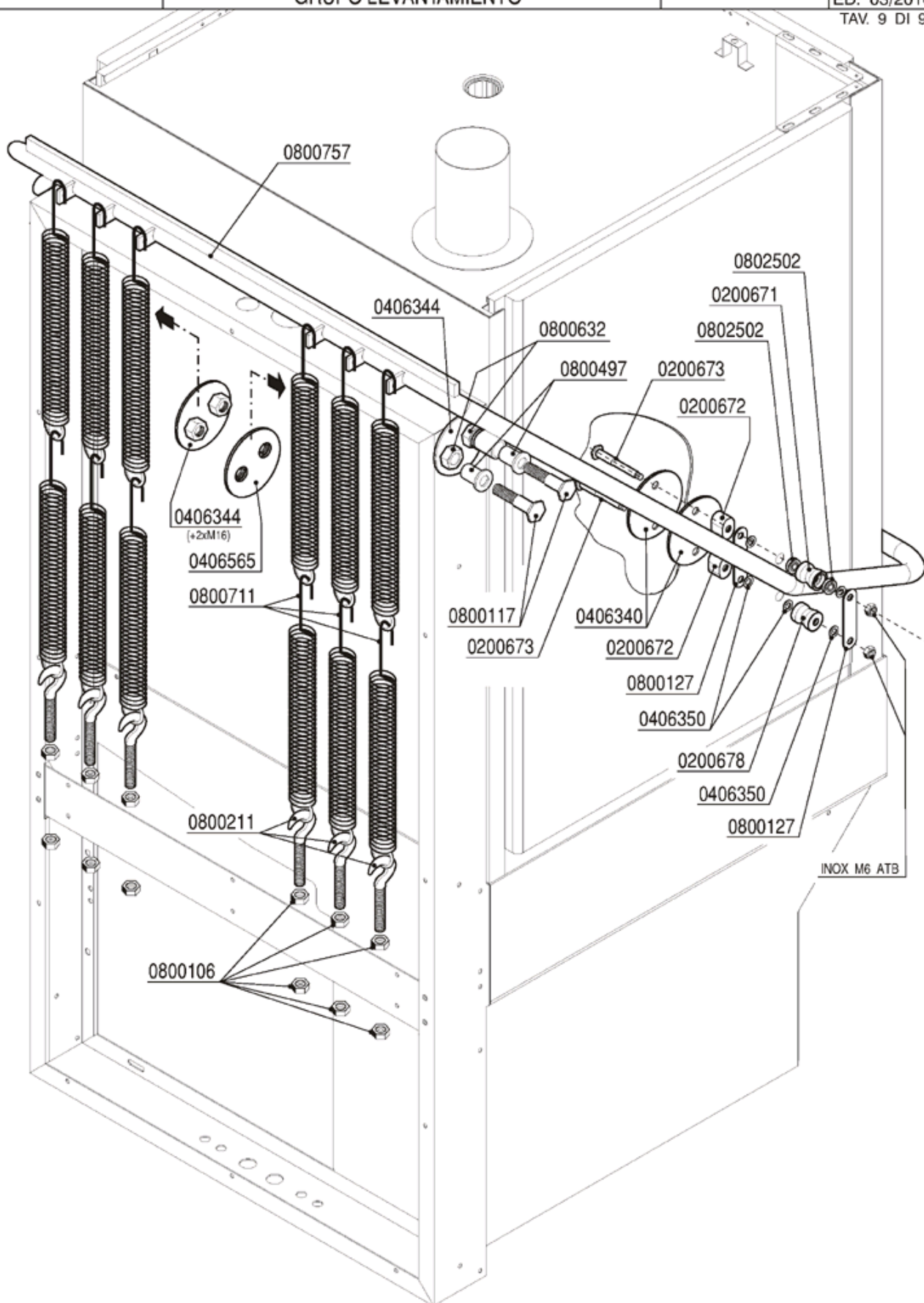
| CODE | DESCRIPTION |
|-------------|---------------------------------------|
| 0202087 | STRAINER DRAWER P700-PT800 9078 |
| 0800063 | S.S.NUT M6 |
| 0800064 | S.S. FLAT WASHER |
| 0800065 | INOX SCREW TEM6 X16 |
| 0800066 | S.S. GROWER WASHER |
| CC00055 | BASKET 34 DISHES 620X620 PT800 9068 |
| CC00082 | BASKET 28P PIZZA 620X620 PT800 9066 |
| CC00111 | GENERAL BASKET INOX 620X20 PT800 9082 |



| CODE | DESCRIPTION |
|---------|--------------------------------|
| 0300702 | CABLE CLAMP "HEICO" PG16 |
| 0400203 | BASKET COVER ELLE 4302 |
| 0400216 | LOOM BOX L 4299/4300/854 |
| 0406008 | TANK-MAGNET BEARING |
| 0406402 | FRONT BASE SUPPORT (RIGHT) L25 |
| 0406403 | FRONT BASE SUPPORT (LEFT) L25 |
| 0800045 | S.S.FOOT 2"X160 100X85X2,5 |
| 0800164 | RINSE DISPENSER BUSH |
| 0800173 | HINGE FRONT PANEL ELLE |



| CODE | DESCRIPTION |
|---------|--|
| 0200324 | THERMO-INSULATING PANEL 500X500X5 PE/R30 |
| 0200325 | DEADENING PANEL 500X500X8 MTP/30 |
| 0201523 | ADHESIVE SECTION POR 15X8 |
| 0300082 | MAGNETIC SWITCH MATIC10 |
| 0402027 | COLUMN P700-2000 5481 |
| 0406021 | MICRO DOOR SUPPORT MATIC 3177 |
| 0406194 | OVERHAULING SLOT PLATE MICRO LP 5587 |
| 0406342 | DOOR LOCKING PLATE PT 6904 |
| 0800493 | POLYZENE DOOR SLIDE LINEAR |



| CODE | DESCRIPTION |
|-------------|-------------------------------------|
| 0200671 | UPPER SLIDE ROLLER PT850 6905 |
| 0200672 | SIDE HANDLE SPACER PT850 6902 |
| 0200673 | ROLLER HANDLE BOLT PT850 6901 |
| 0200678 | SLIDING ROLL PT850 6976 |
| 0406340 | REINFORCEMENT PLATE PT850 6903 |
| 0406344 | COLUMN PIN REINFORCEMENT PT850 6907 |
| 0406350 | SP.RING 1,0X8X14 PT 7523 |
| 0800106 | GALVANIZED NUT M10 |
| 0800117 | BOLT FOR U HANDLE 015/24L |
| 0800127 | BELT CHAIN LINK LINEAR 5000 |
| 0800211 | TIE ROD SCREW WITH HOOK M10X120 |
| 0800497 | HANDLE PIVOT BUSH |
| 0800632 | S.S. NUT M16 |
| 0800711 | HOOD SPRING L23...L25 LONG HOOK |
| 0802502 | S.S.BEARING-HANDLE CM GRW SS698 |