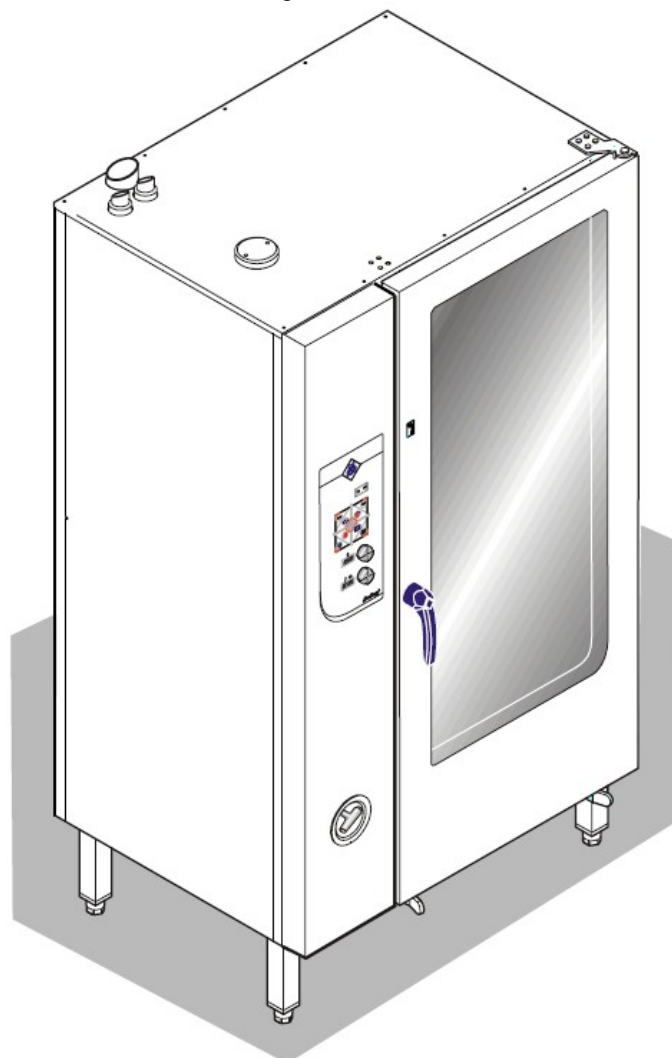


Exploded drawings

Electric and Gas Combisteamer Silver II

European CE-Version



Model	Serial-No. / date	
	From	Up to
C _s xxxxx		
HansDampf 6.1	07020766 / June 2007	
HansDampf 6.2 Maxi	07020584 / June 2007	
HansDampf 10.1	07020584 / June 2007	
HansDampf 10.2 Maxi	07020584 / June 2007	
HansDampf 20.1	07020584 / June 2007	
HansDampf 20.2 Maxi	07020584 / June 2007	

2011/10/12 SEV/KA

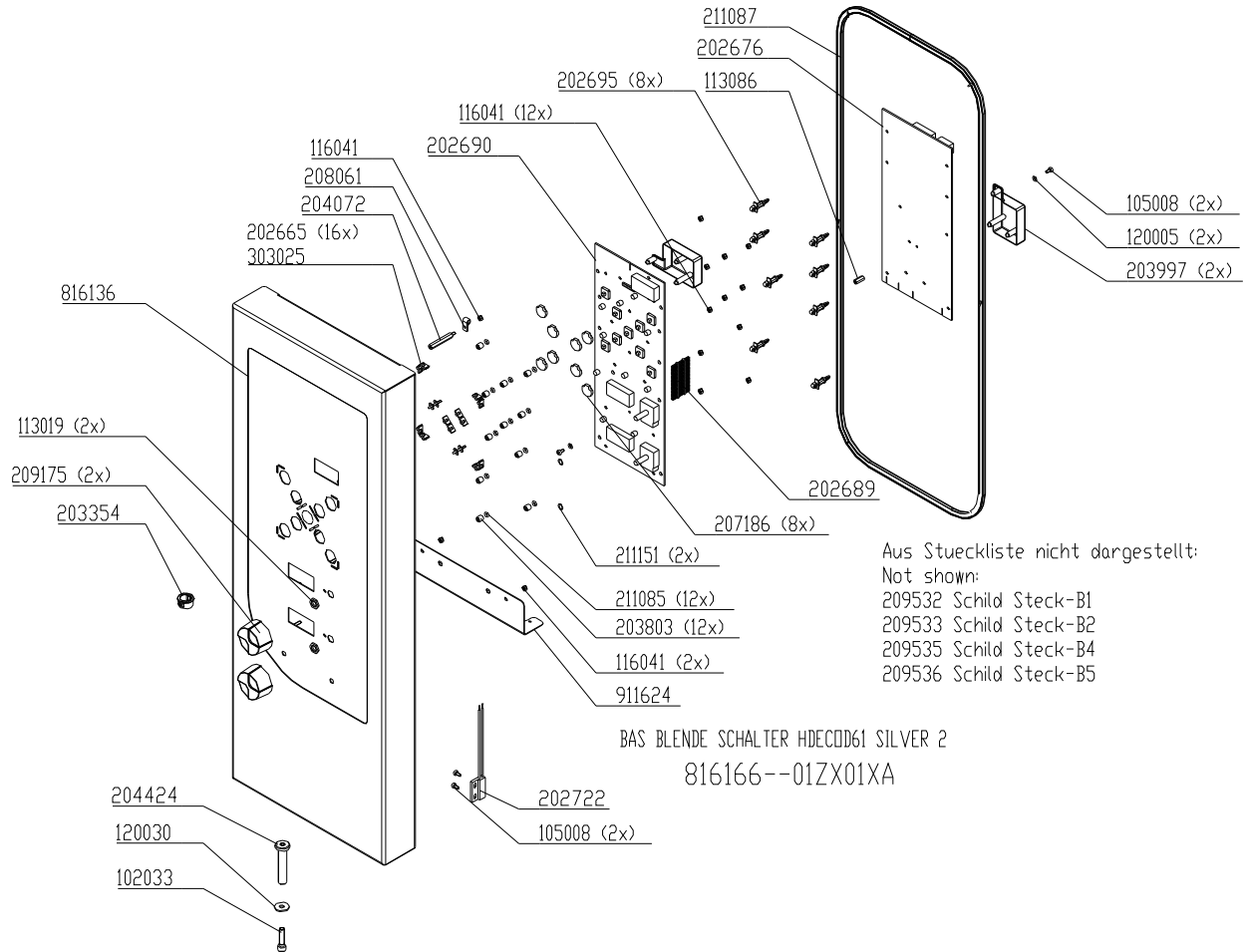
Contents

Front panel 6.x Silver2 without hand shower.....	5
Front panel 6.x Silver2 with hand shower.....	6
Front panel 10.x Silver2 without hand shower.....	7
Front panel 10.x Silver2 with hand shower.....	8
Electric assembly 3NPE 400V HD6.1 Silver2.....	9
Electric assembly 3NPE 400V HD6.2 Silver2.....	10
Electric assembly 3NPE 400V HD10.1 Silver2.....	11
Electric assembly 3NPE 400V HD10.2 Silver2.....	12
Gas assembly HD6.1 Silver2.....	13
Gas assembly HD6.2 Silver2.....	14
Gas assembly HD10.1 Silver2.....	15
Gas assembly HD10.2 Silver2.....	16
Core temperature probe HD6.x & HD10.x Silver2.....	17
Fresh air assembly 6.x 10.x Silver2.....	18
Supply air area 6.x 10.x (without hand shower) Silver2.....	19
Supply air area 6.x & 10.x (with hand shower) Silver2.....	20
Water assembly with WaveClean 50Hz HD6.x & HD10.x Silver2.....	21
Water assembly with WaveClean 60Hz HD6.x & HD10.x Silver2.....	22
Water assembly without WaveClean HD6.x & HD10.x Silver2.....	23
Chassis 6.x Electric Silver2 Valid until S/N 11209574 (August 2011).....	24
Chassis 6.x Electric Silver2 Valid from S/N 11209575 (August 2011).....	25
Chassis 10.x Electric Silver2 Valid until S/N 11208882 (August 2011).....	26
Chassis 10.x Electric Silver2 Valid from S/N 11208883 (August 2011).....	27
Chassis 6.x Gas Silver2 Valid until S/N 11209861 (August 2011).....	28
Chassis 6.x Gas Silver2 Valid from S/N 11209862 (August 2011).....	29
Chassis 10.x Gas Silver2 Valid until S/N 11210676 (August 2011).....	30
Chassis 10.x Gas Silver2 Valid from S/N 11210677 (August 2011).....	31
Chassis door area HD6.x electric, right hinged (double glazing).....	32
Chassis door area HD6.x electric, right hinged (triple glazing).....	33
Chassis door area HD6.x electric, left hinged (triple glazing).....	34
Chassis door area HD10.x electric, right hinged (double glazing).....	35
Chassis door area HD10.x electric, right hinged (triple glazing).....	36
Chassis door area HD10.x electric, left hinged (triple glazing).....	37
Chassis door area HD6.x gas, right hinged (double glazing).....	38
Chassis door area HD6.x gas, right hinged (triple glazing).....	39
Chassis door area HD6.x gas, left hinged (triple glazing).....	40
Chassis door area HD10.x gas, right hinged (double glazing).....	41
Chassis door area HD10.x gas, right hinged (triple glazing).....	42
Chassis door area HD10.x gas, left hinged (triple glazing).....	43
Front panel 20.x Silver2 without hand shower.....	45
Front panel 20.x Silver2 with hand shower.....	46
Electric assembly 3NPE 400V HD20.1 Silver2.....	47
Electric assembly 3NPE 400V HD20.2 Silver2.....	48
Fresh air assembly 20.x Silver2.....	49
Gas assembly HD20.1 Silver2.....	50
Gas assembly HD20.2 Silver2.....	51
Core temperature probe HD20.x Silver2.....	52
Supply air area 20.x (without hand shower) Silver2.....	53
Supply air area 20.x (with hand shower) Silver2.....	54
Water assembly without WaveClean HD20.x Silver2.....	55
Water assembly with WaveClean 50Hz HD20.x Silver2.....	56
Water assembly with WaveClean 60Hz HD20.x Silver2.....	57
Chassis 20.x Electric Silver2 Valid until S/N 11212249 (October 2011).....	58
Chassis 20.x Electric Silver2 Valid from S/N 11212250 (October 2011).....	59
Chassis 20.x Gas Silver2 Valid until S/N 11212225 (October 2011).....	60
Chassis 20.x Gas Silver2 Valid from S/N 11212226 (October 2011).....	61
Chassis door area HD20.x electric, right hinged (double glazing).....	62
Chassis door area HD20.x, right hand hinged (Electric).....	63
Chassis door area HD20.x, left hand hinged (Electric).....	64
Chassis door area HD20.x gas, right hinged (double glazing).....	65
Chassis door area HD20.x, right hand hinged (Gas).....	66
Chassis door area HD20.x, left hand hinged (Gas).....	67

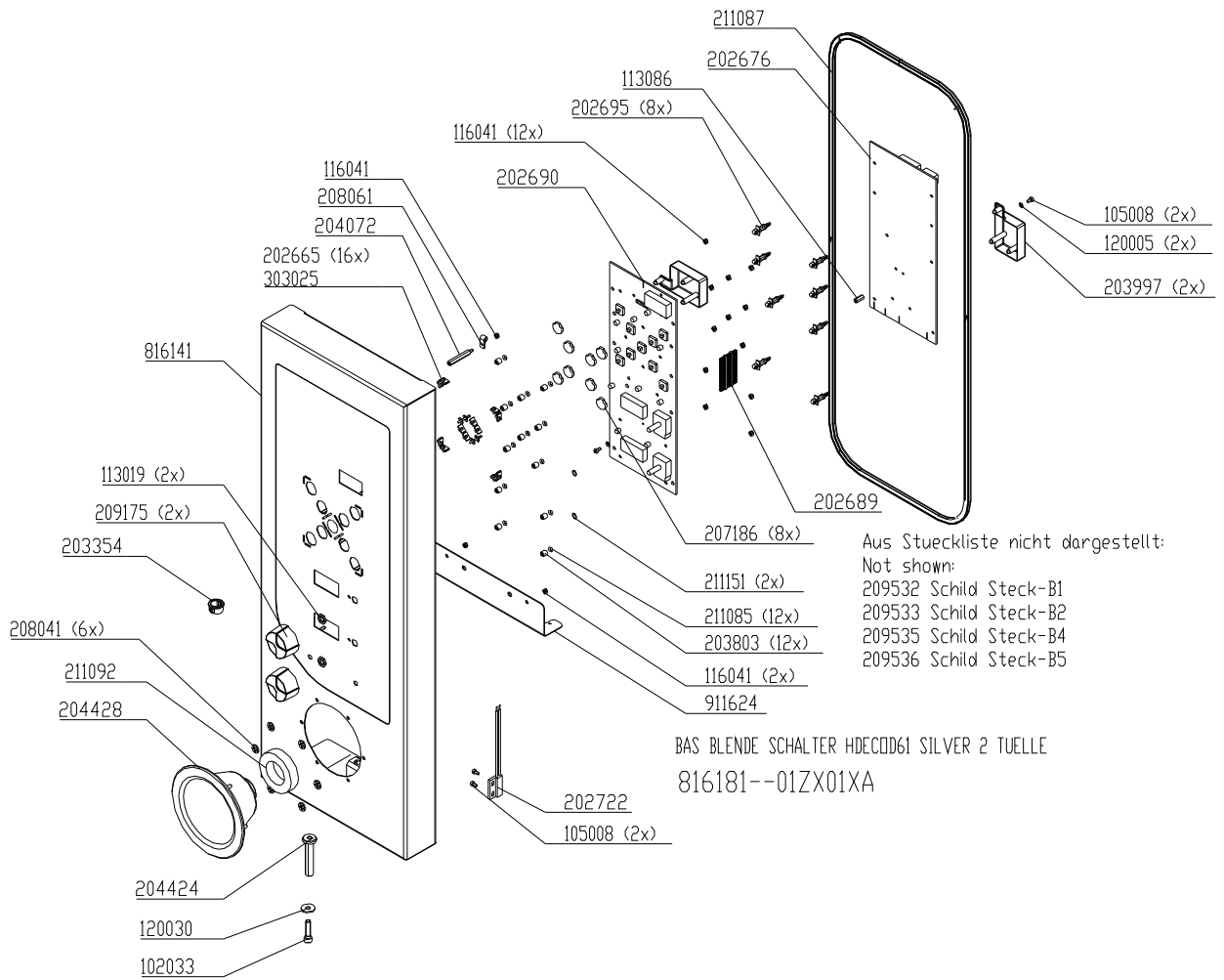
Exploded drawings 6.x & 10.x

Electric & Gas

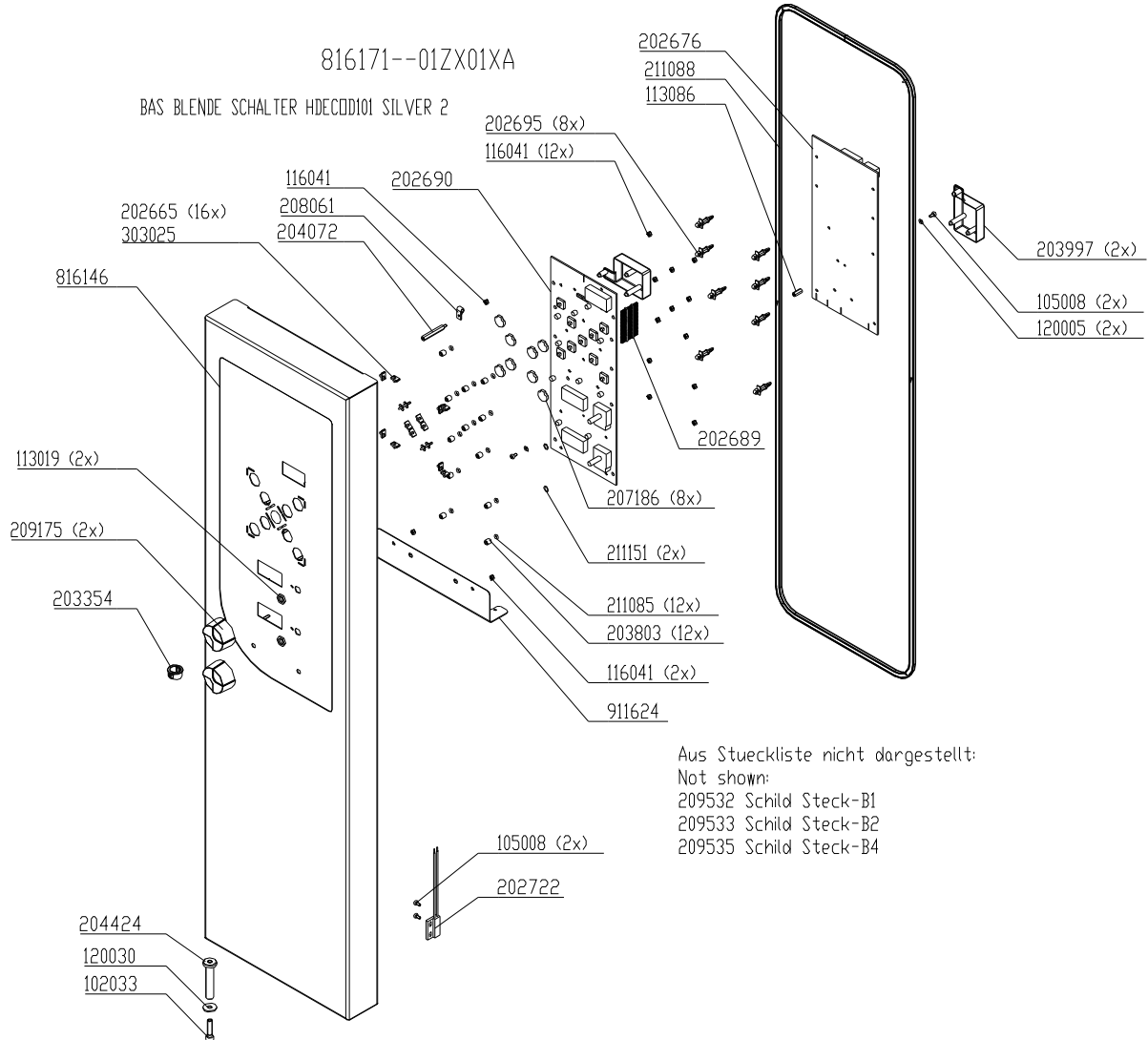
Front panel 6.x Silver2 without hand shower



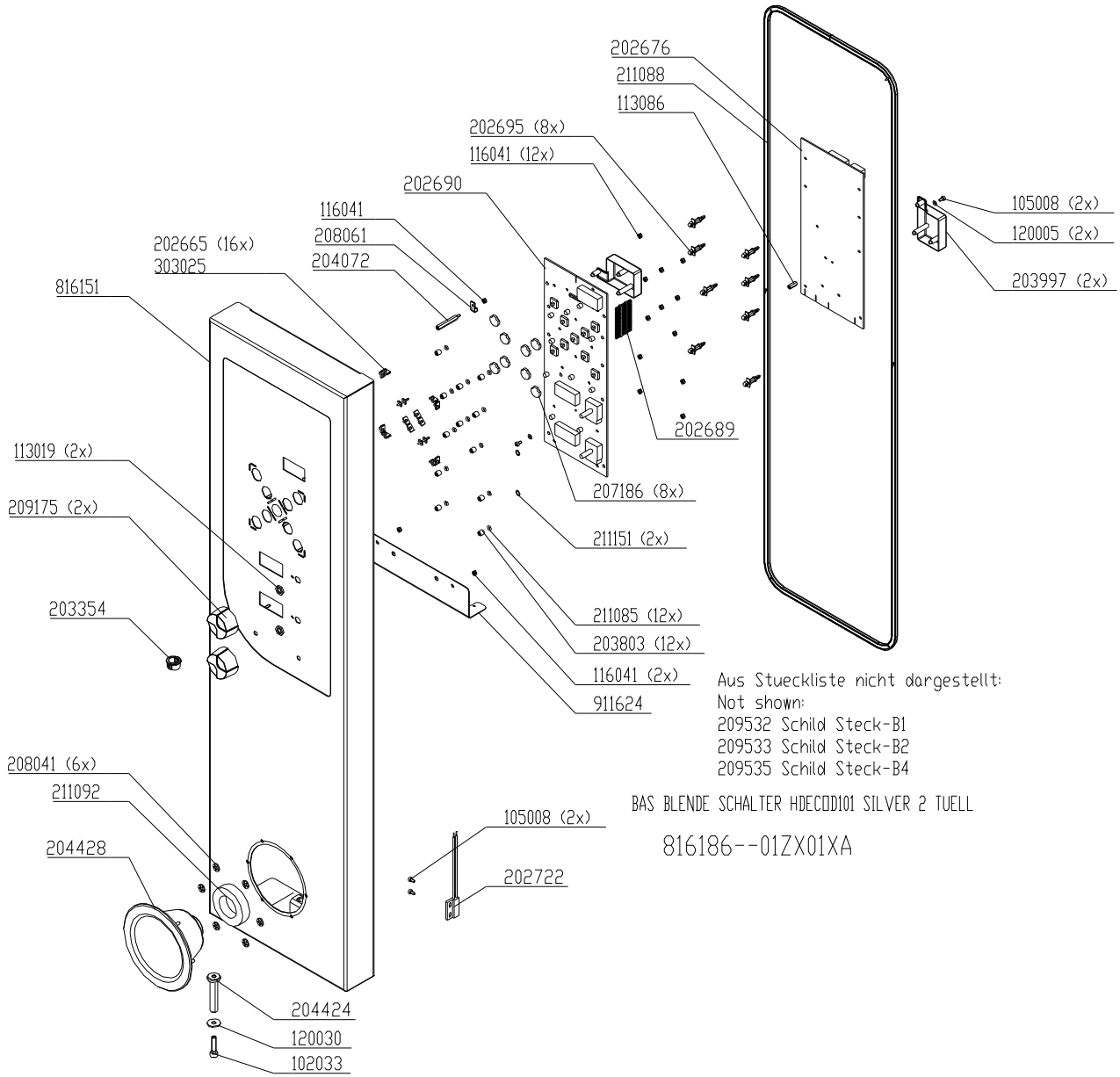
Front panel 6.x Silver2 with hand shower



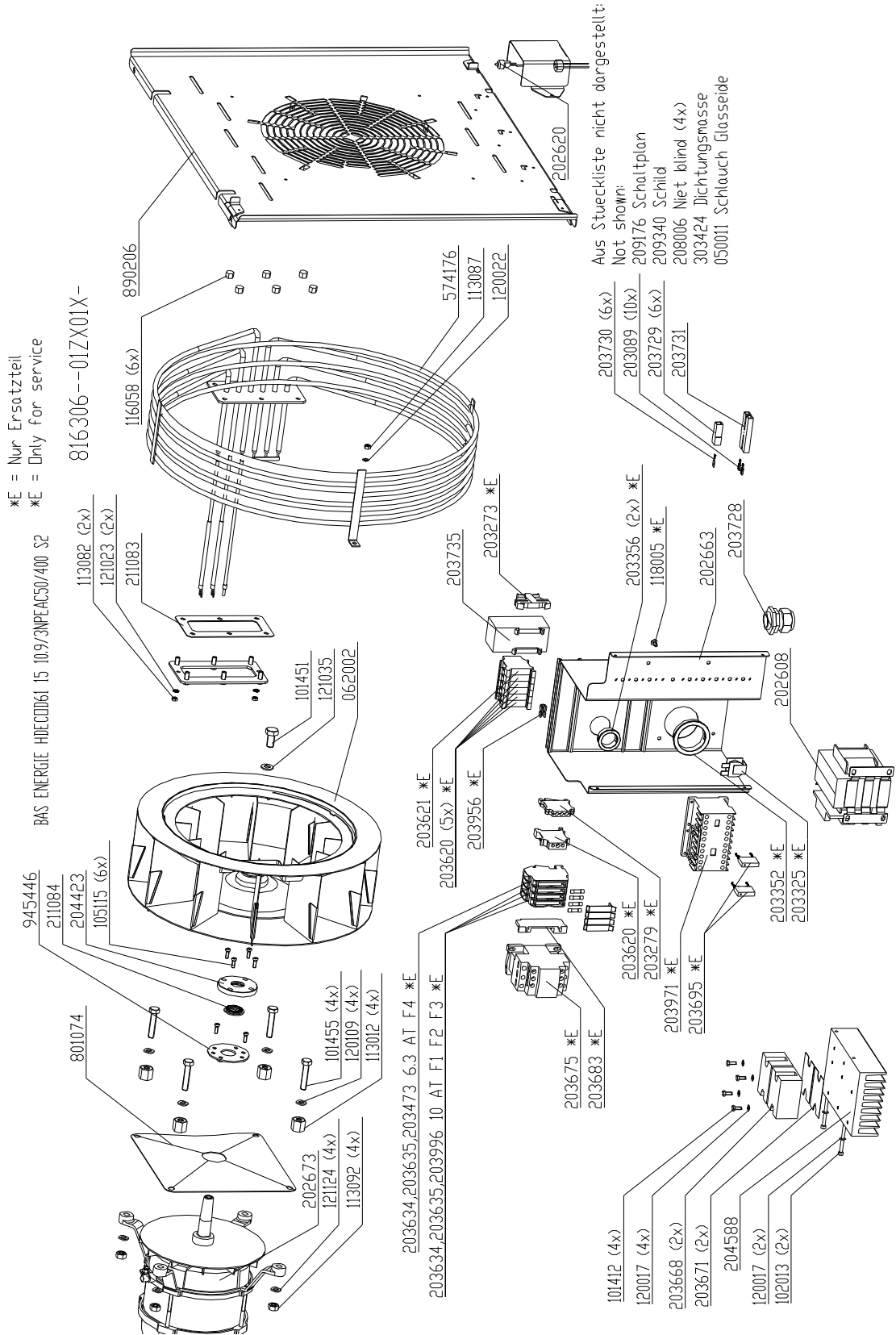
Front panel 10.x Silver2 without hand shower



Front panel 10.x Silver2 with hand shower

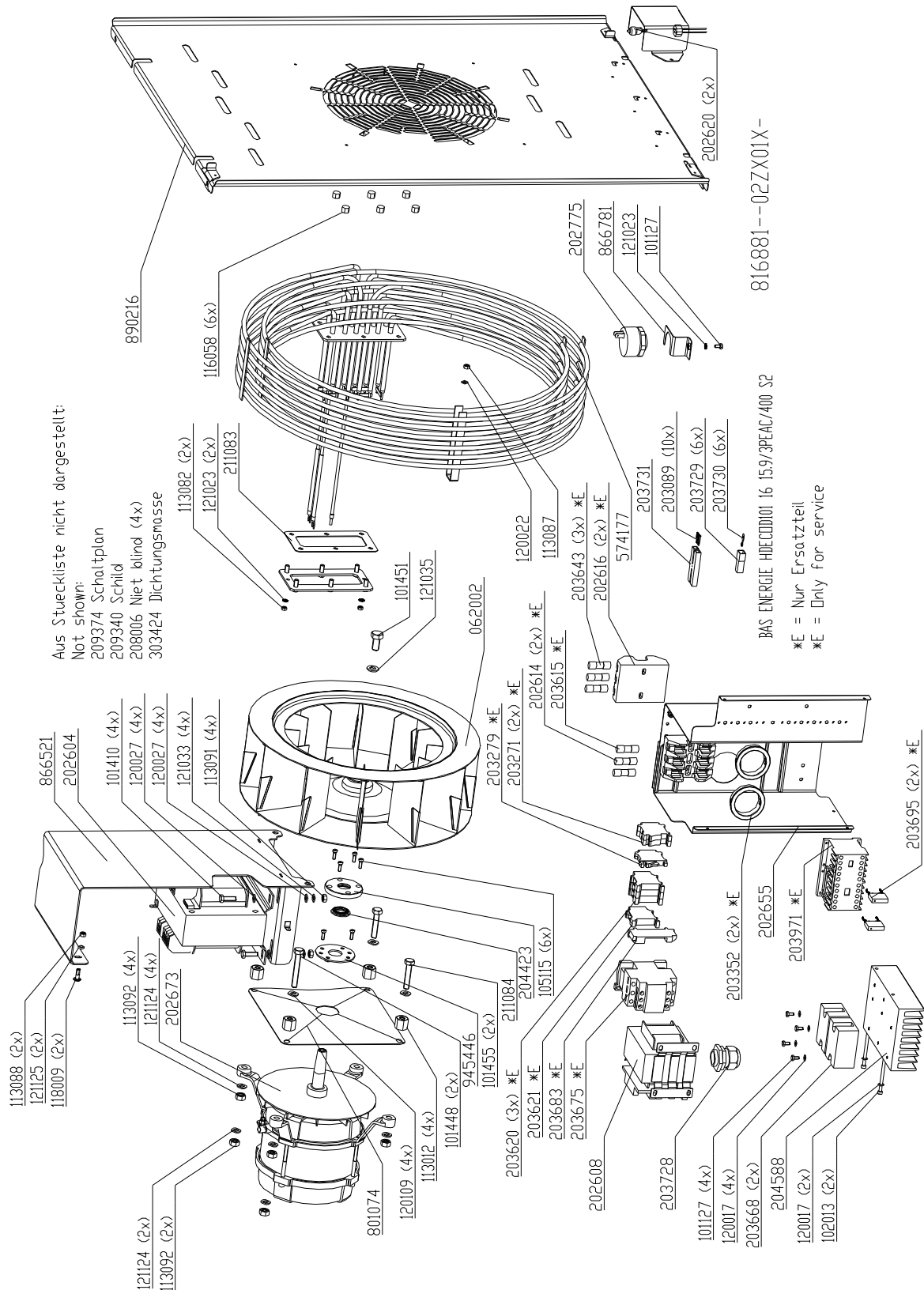


Electric assembly 3NPE 400V HD6.1 Silver2



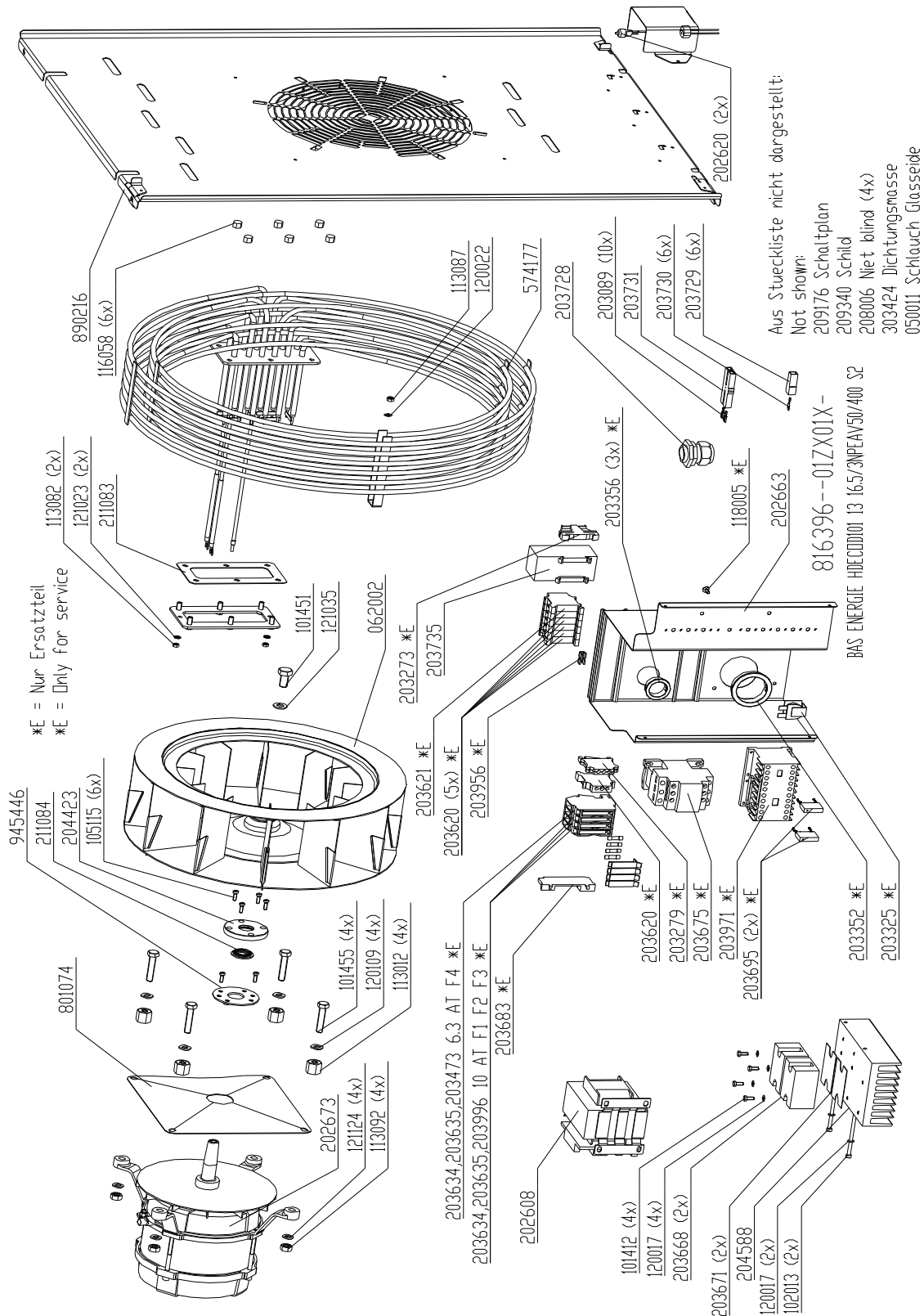
Bis (until) S/N 08022075 (August2008) Transformator (transformer) #203818
 Ab (from) S/N 11209575 (August2011): #945446 → #945661, #204423 → 204681,
 #202620 → #203679

Electric assembly 3NPE 400V HD6.2 Silver2



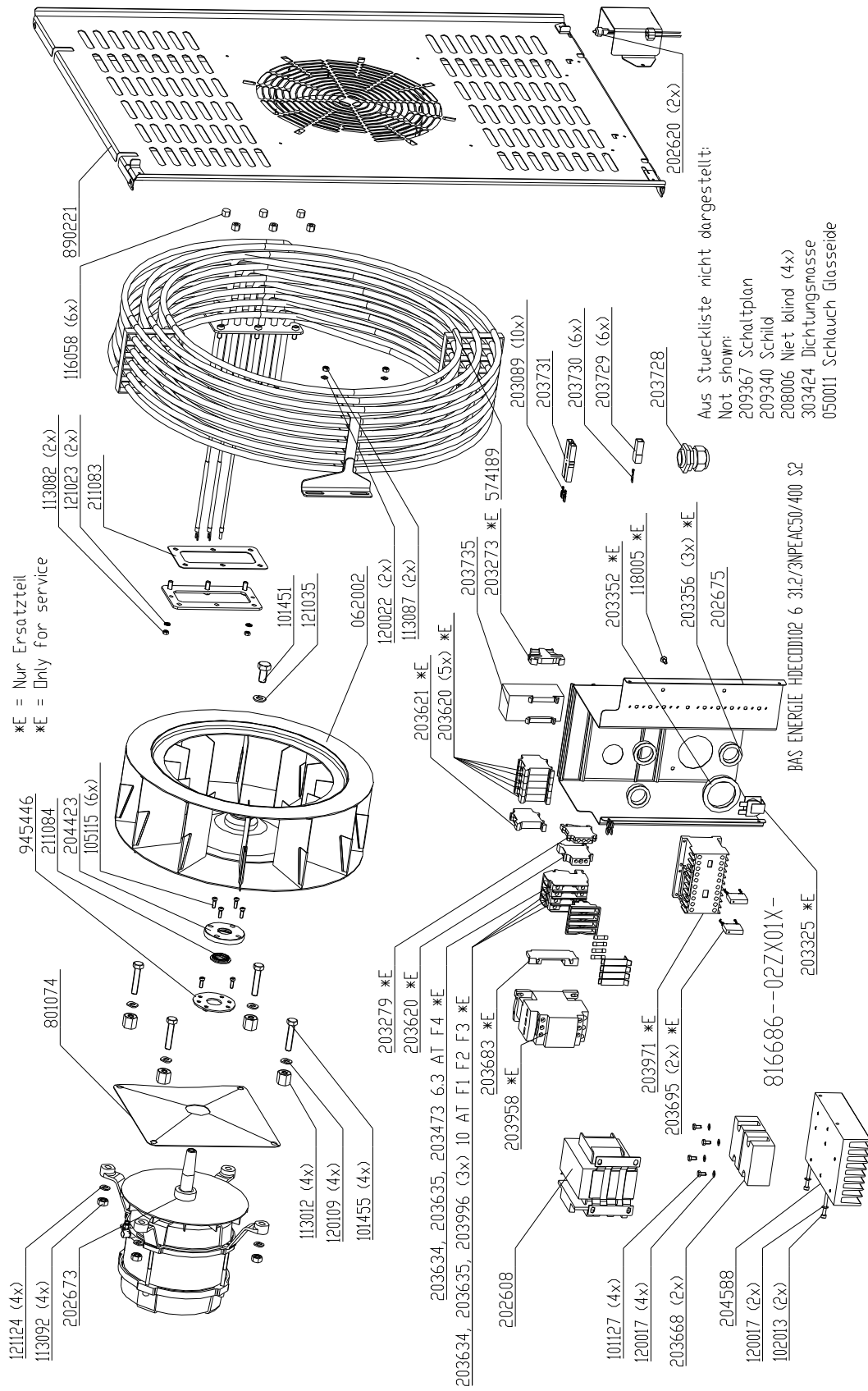
Bis (until) S/N 08022075 (August2008) Transformator (transformer) #203818
 Ab (from) S/N 11209575 (August2011): #945446 → #945661, #204423 → 204681,
 #202620 → #203679

Electric assembly 3NPE 400V HD10.1 Silver2



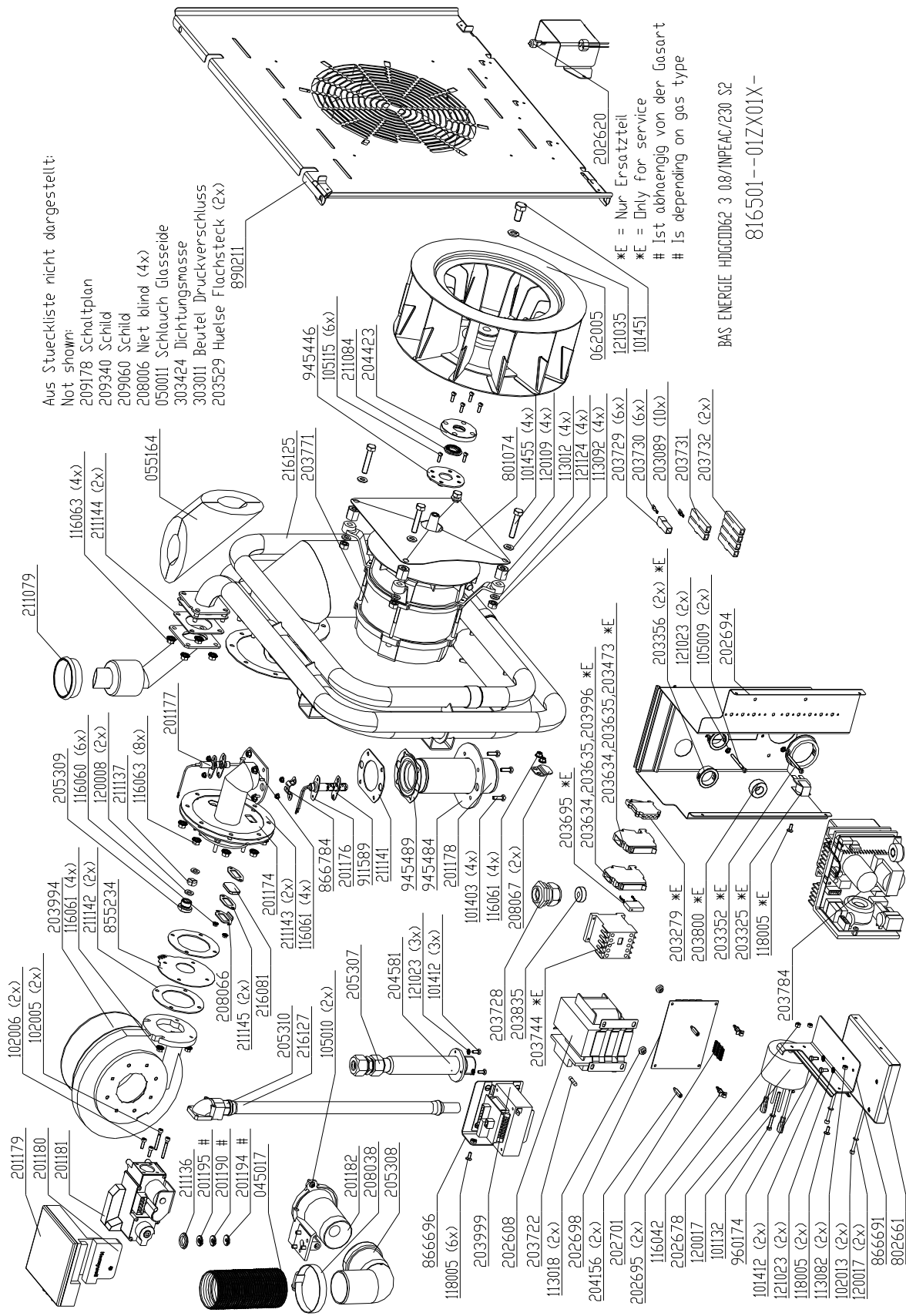
Bis (until) S/N 08022075 (August2008) Transformator (transformer) #203818
 Ab (from) S/N 11208883 (August2011): #945446 → #945661, #204423 → 204681,
 #202620 → #203679

Electric assembly 3NPE 400V HD10.2 Silver2



Bis (until) S/N 08022075 (August2008) Transformator (transformer) #203818
 Ab (from) S/N 11208883 (August2011): #945446 → #945661, #204423 → 204681,
 #202620 → #203679

Gas assembly HD6.2 Silver2



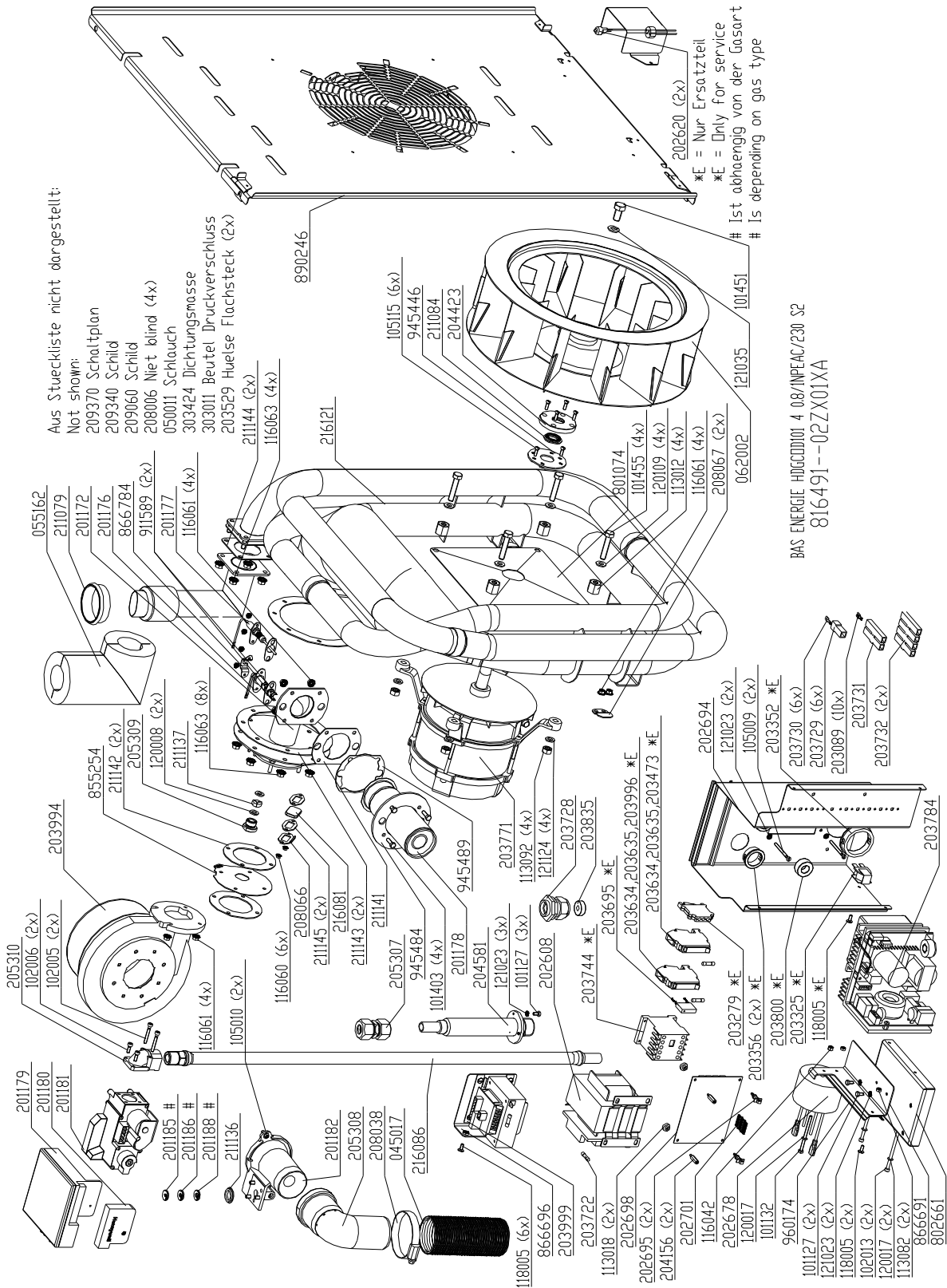
Aus Stueckliste nicht dargestellt:
 Not shown:
 209178 Schaltplan
 209340 Schild
 209060 Schild
 208006 Niet blind (4x)
 050011 Schlauch Glasseeide
 303424 Dichtungsmasse
 303011 Beutel Druckverschluss
 203529 Huelse Flachsteck (2x)
 890211

*E = Nur Ersatzteil
 *E = Only for service
 # Ist abhaengig von der Gasart
 # Is depending on gas type

BAS ENERGIE HDGGD62 3 08/ANPEAC/230 SC
 816501--01ZX01X-

Bis (until) S/N 08022075 (August2008) Transformator (transformer) #203818
 Ab (from) 11209862 (August2011): #202620 → #203679

Gas assembly HD10.1 Silver2

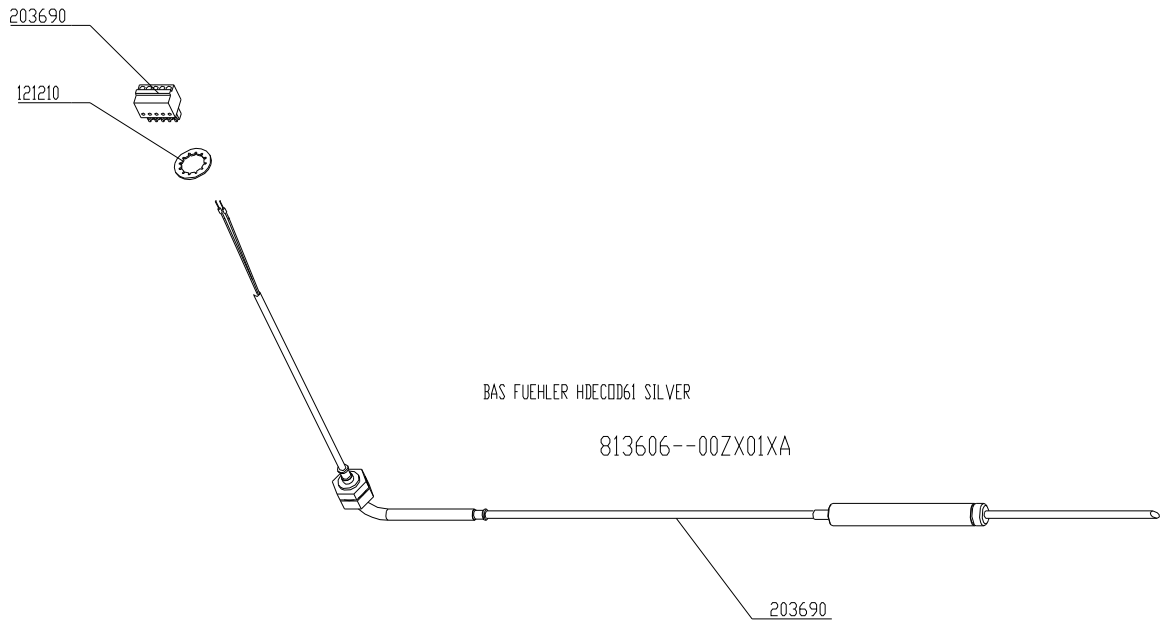


Bis (until) S/N 08022075 (August2008) Transformator (transformer) #203818

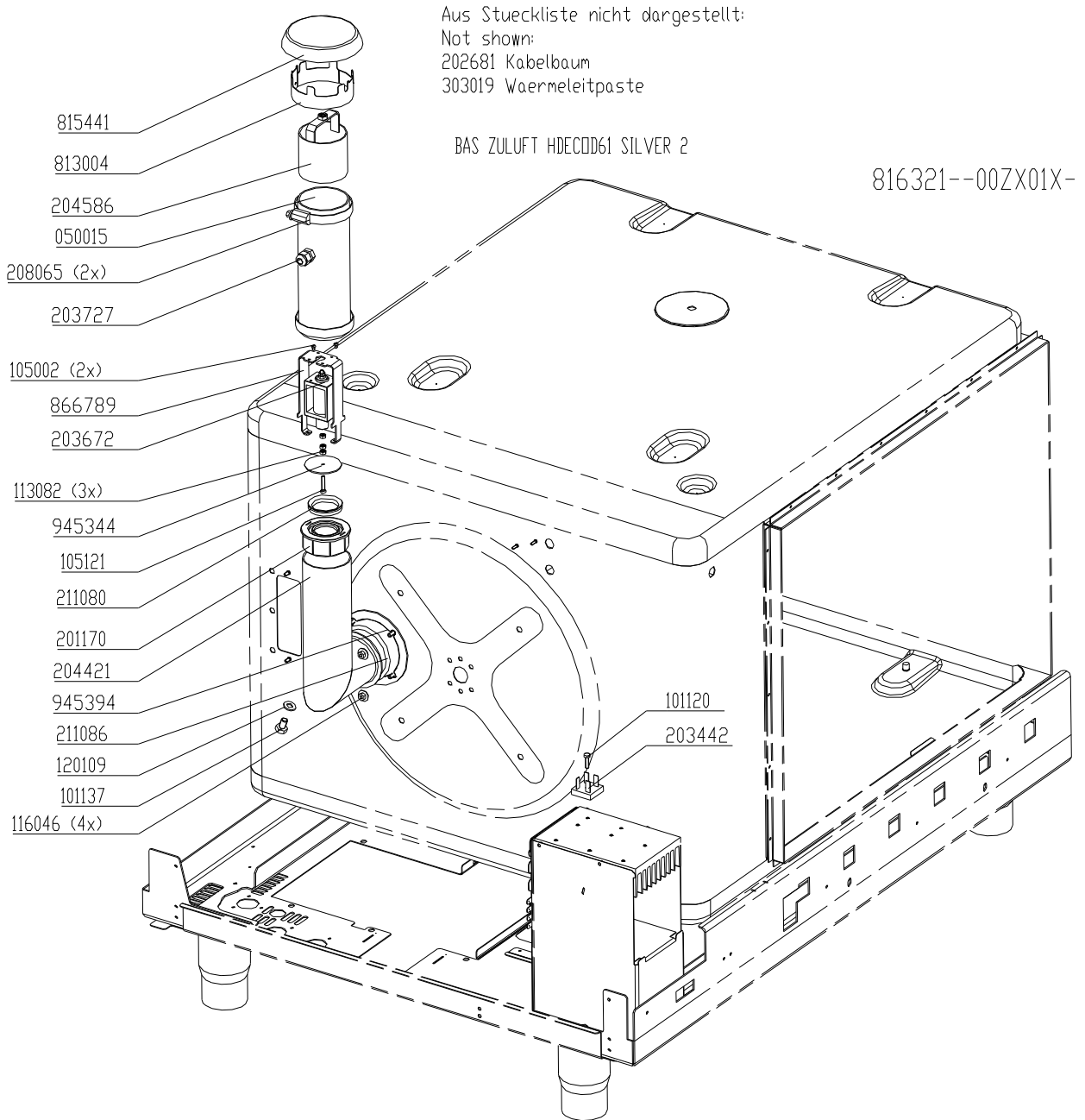
Bis (until) S/N 09020157: #216085 ersetzt durch (replaced by) #216121 & # 855254. Es müssen beide Teile ersetzt werden (Both parts must be replaced)!

Ab (from) 11210677 (August2011): #202620 → #203679

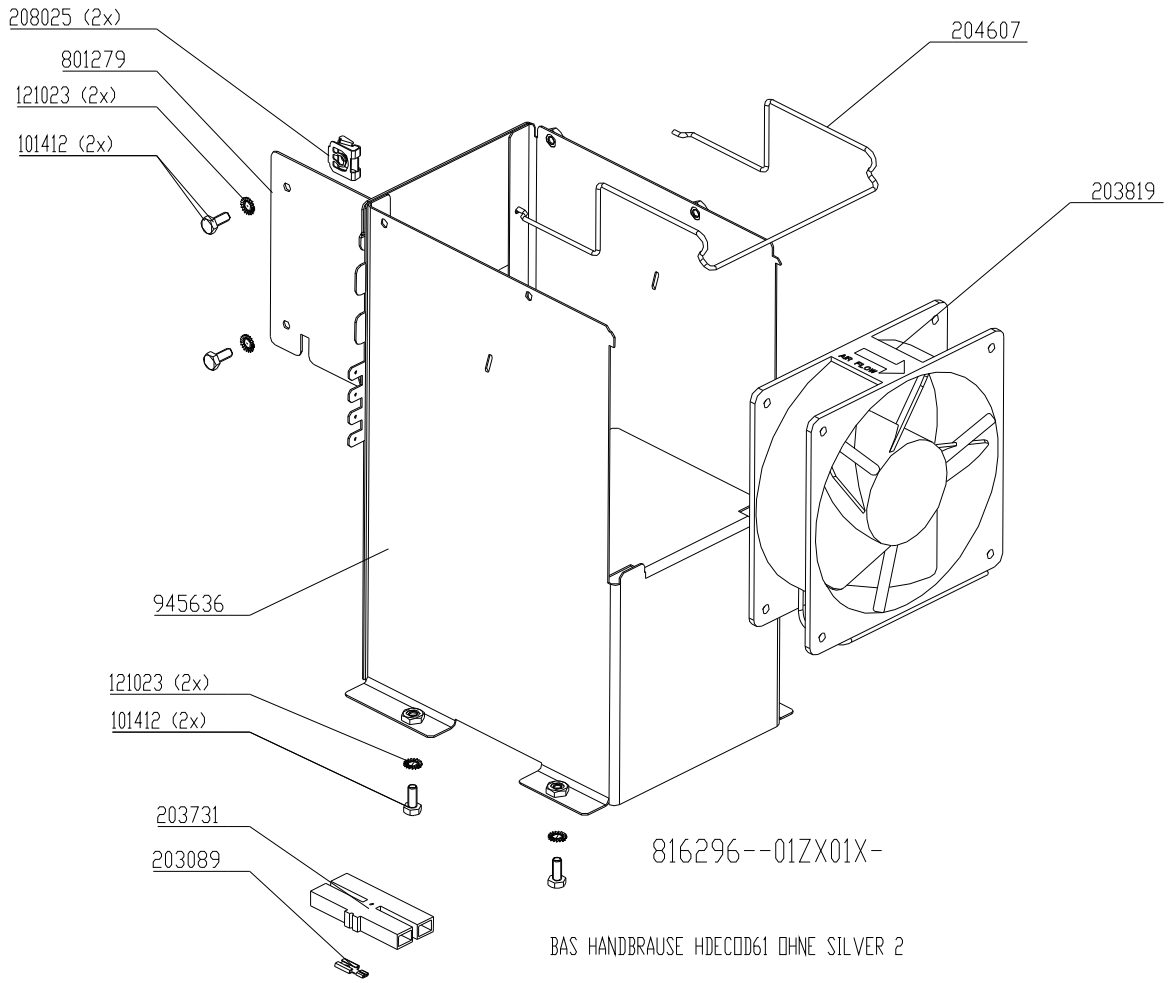
Core temperature probe HD6.x & HD10.x Silver2



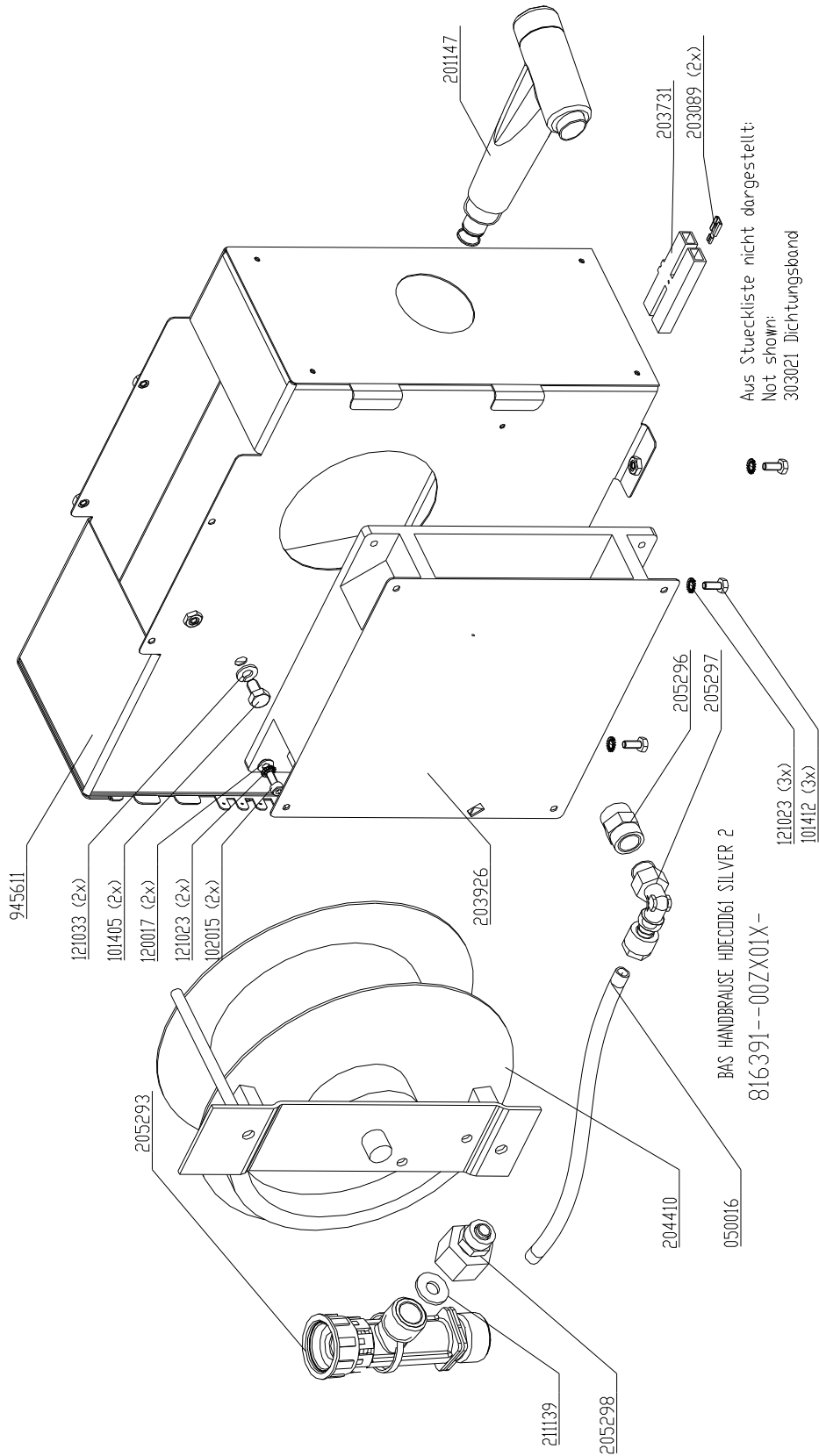
Fresh air assembly 6.x 10.x Silver2



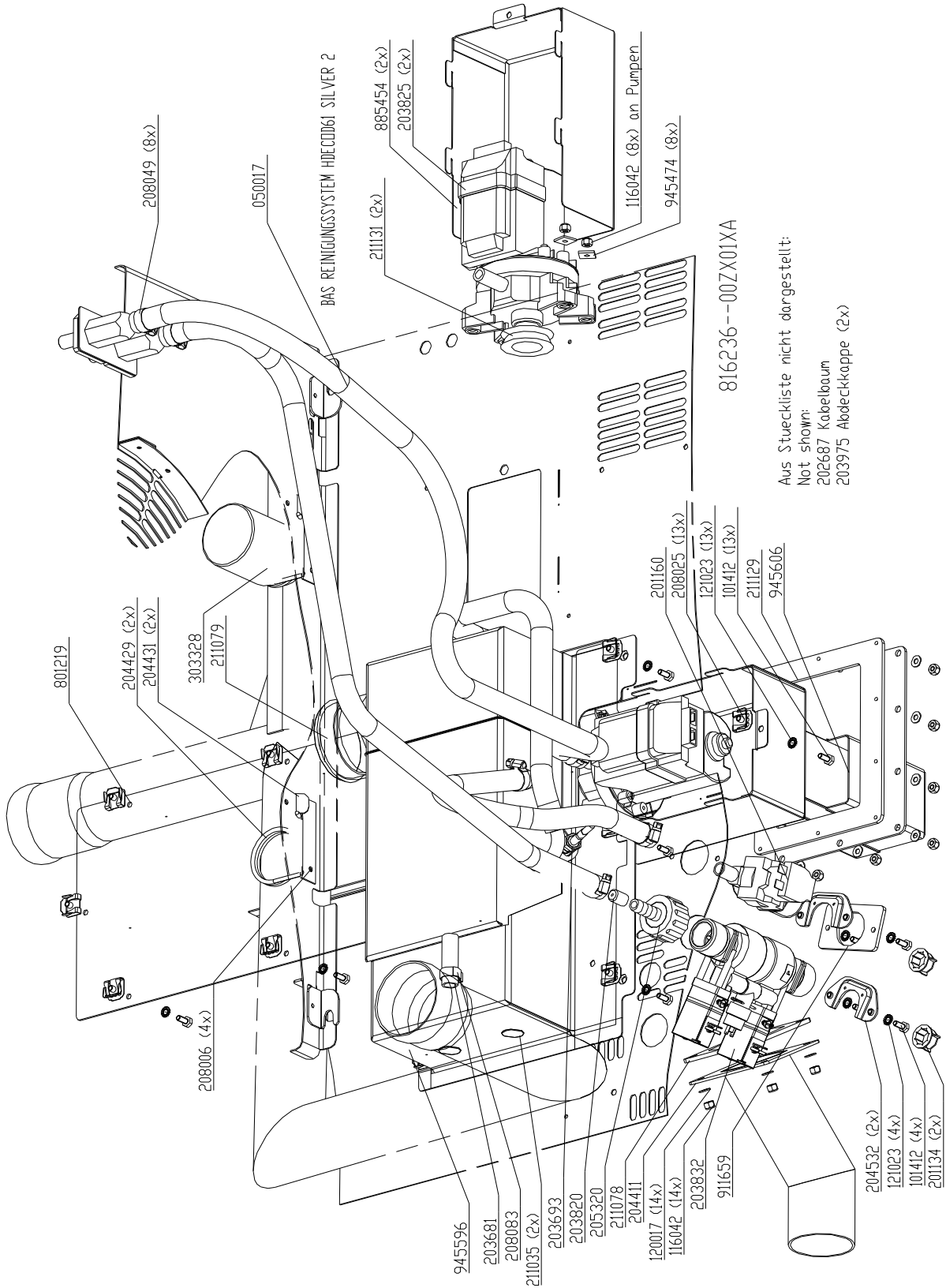
Supply air area 6.x 10.x (without hand shower) Silver2



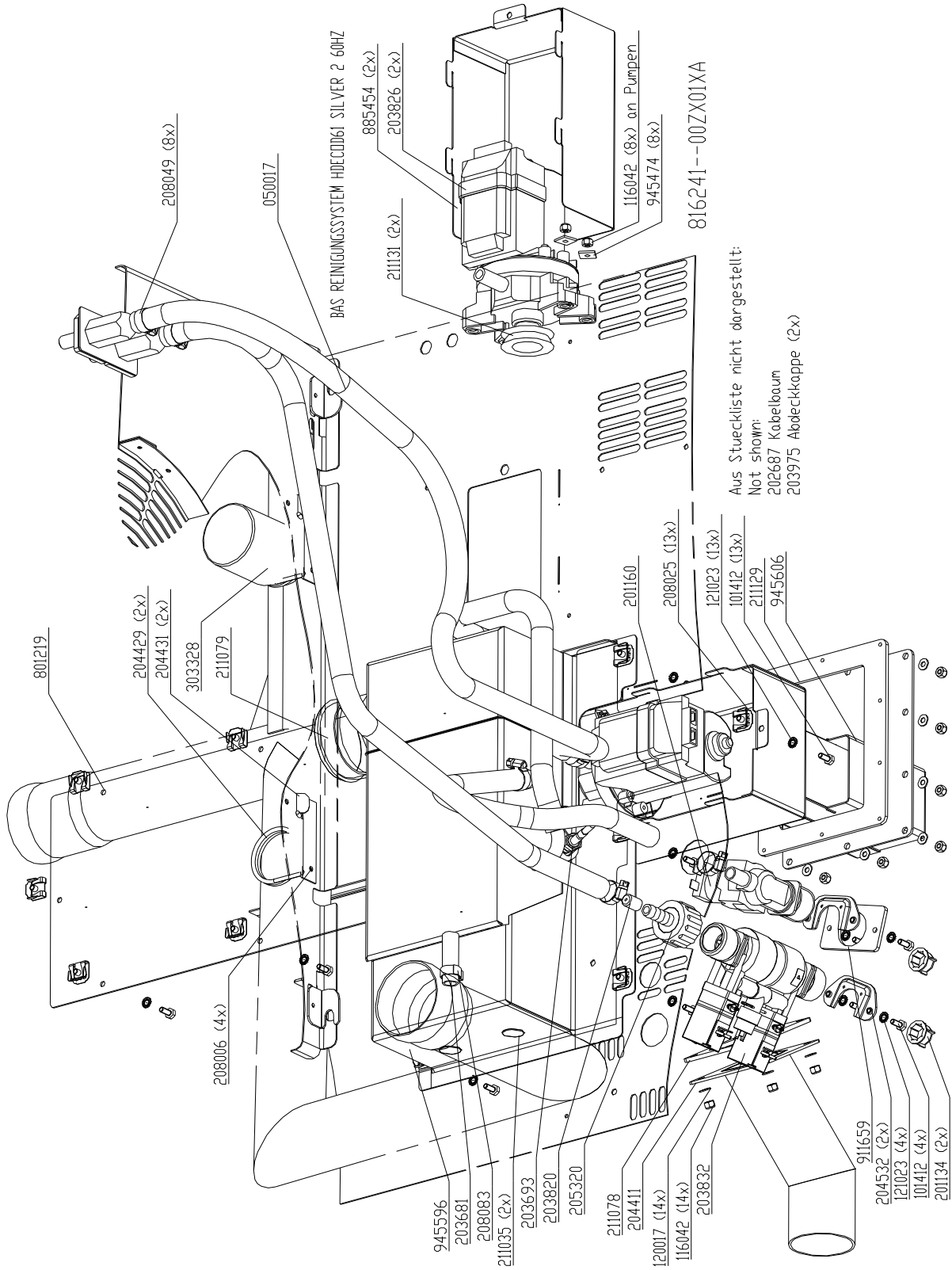
Supply air area 6.x & 10.x (with hand shower) Silver2



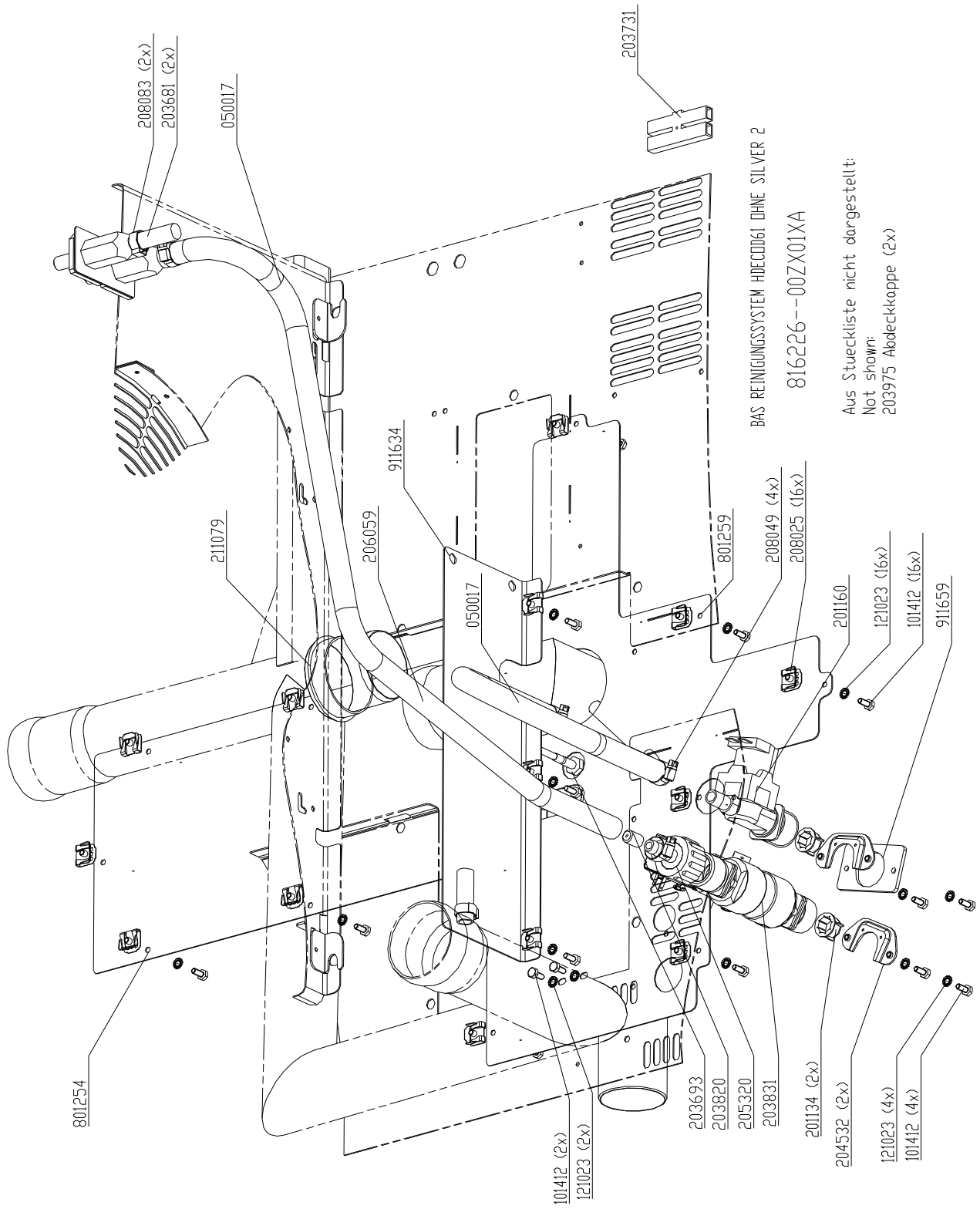
Water assembly with WaveClean 50Hz HD6.x & HD10.x Silver2



Water assembly with WaveClean 60Hz HD6.x & HD10.x Silver2



Water assembly without WaveClean HD6.x & HD10.x Silver2

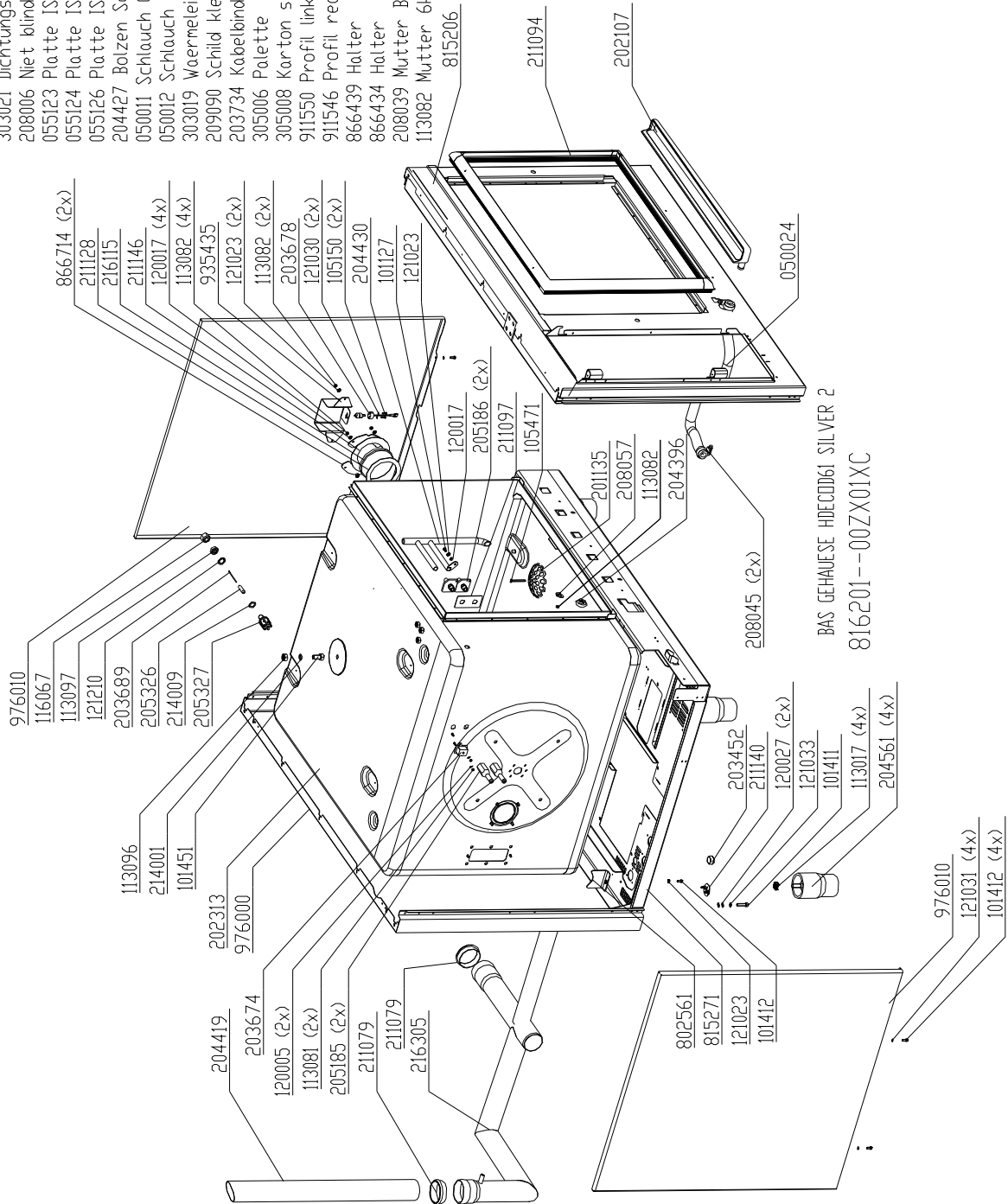


Chassis 6.x Electric Silver2 Valid until S/N 11209574 (August 2011)

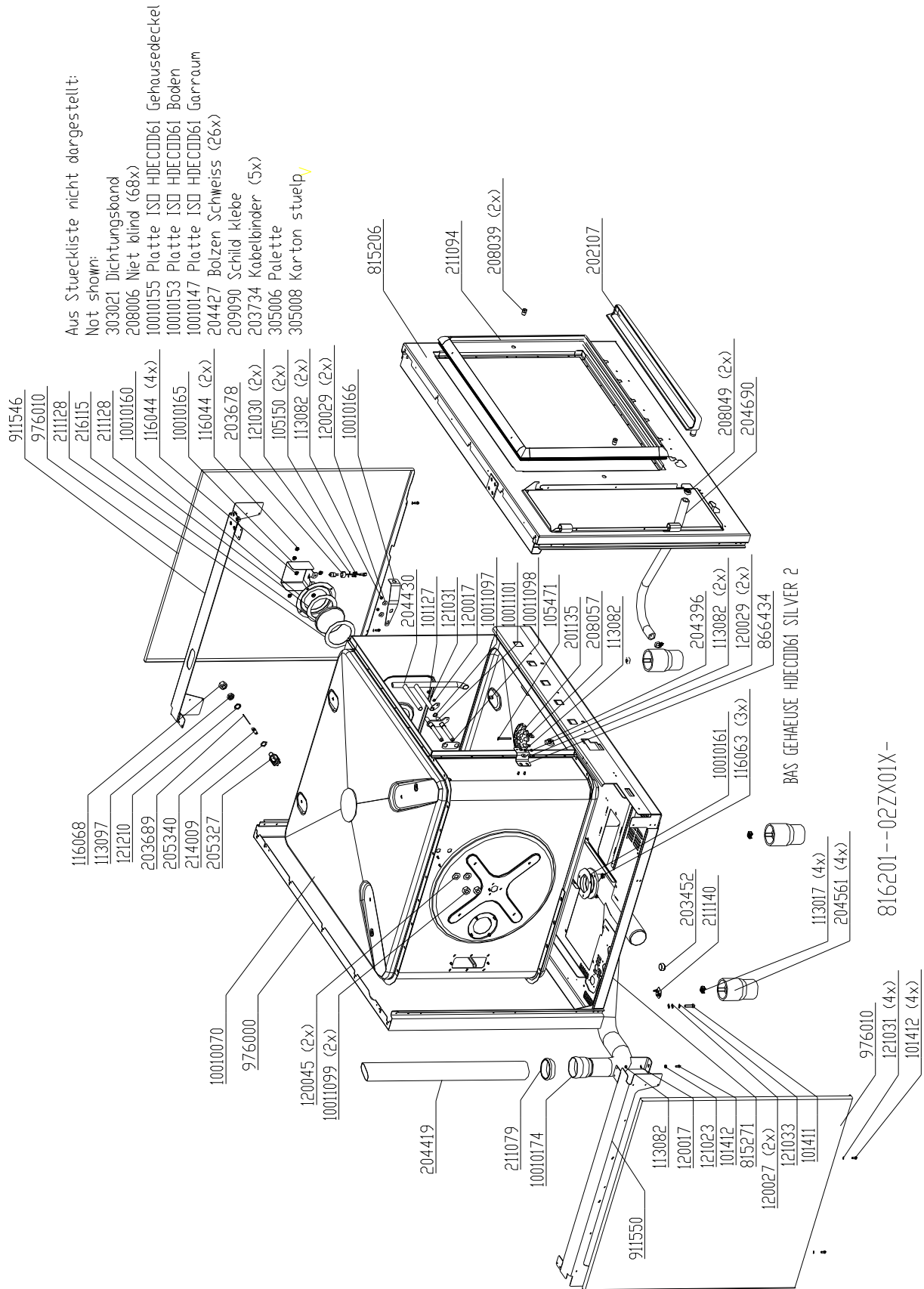
Aus Stueckliste nicht dargestellt:

Not shown:

- 303021 Dichtungsband
- 208006 Niet blind (68x)
- 055123 Platte ISD
- 055124 Platte ISD
- 055126 Platte ISD
- 204427 Bolzen Schweiss (26x)
- 050011 Schlauch Glasseide
- 050012 Schlauch Glasseide
- 303019 Waermeleitpaste
- 209090 Schild klebe
- 203734 Kabelbinder (5x)
- 305006 Palette
- 305008 Karton stuelp
- 911550 Profil links
- 911546 Profil rechts
- 866439 Halter
- 866434 Halter
- 208039 Mutter Blindniet (2x)
- 113082 Mutter 6kt M4 (4x)



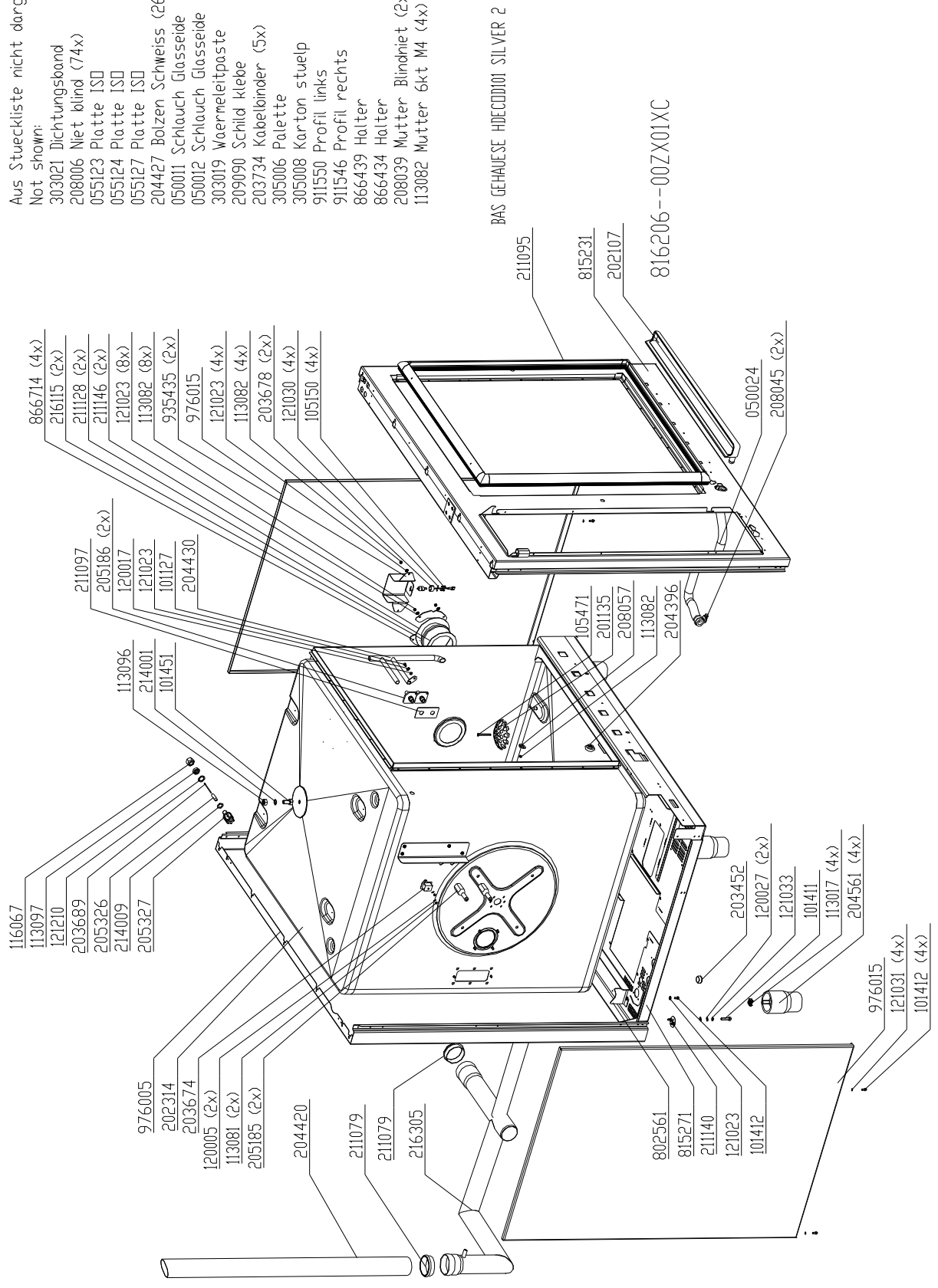
Chassis 6.x Electric Silver2 Valid from S/N 11209575 (August 2011)



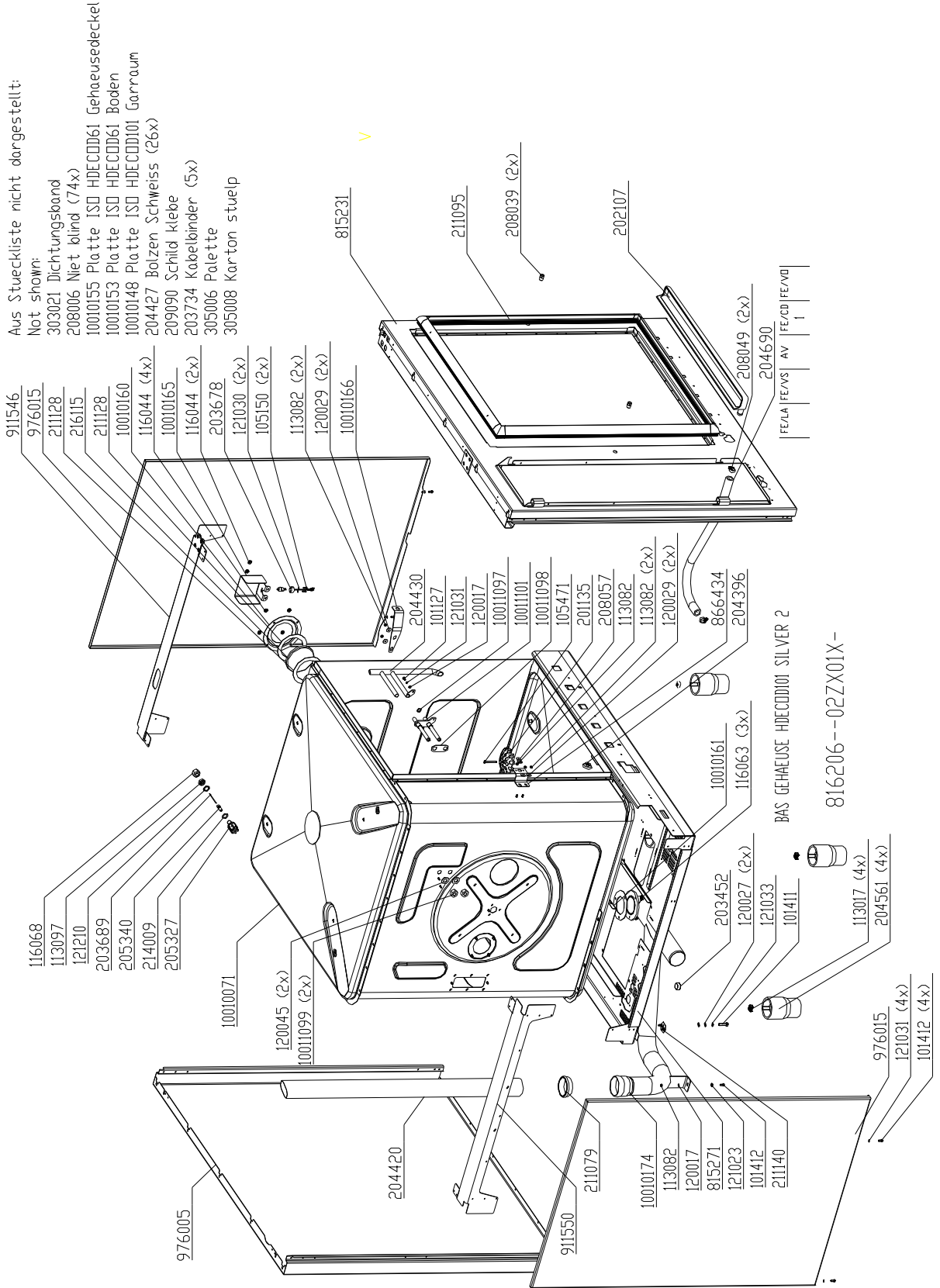
Chassis 10.x Electric Silver2 Valid until S/N 11208882 (August 2011)

Aus Stueckliste nicht dargestellt:
Not shown:

- 303021 Dichtungsband
- 208006 Niet blind (74x)
- 055123 Platte ISO
- 055124 Platte ISO
- 055127 Platte ISO
- 204427 Bolzen Schweiss (26x)
- 050011 Schlauch Glasseele
- 050012 Schlauch Glasseele
- 303019 Waermeleitpaste
- 209090 Schild klebe
- 203734 Kabelbinder (5x)
- 305006 Palette
- 305008 Karton stueelp
- 911550 Profil links
- 911546 Profil rechts
- 866439 Halter
- 866434 Halter
- 208039 Mutter Blindniet (2x)
- 113082 Mutter 6kt M4 (4x)



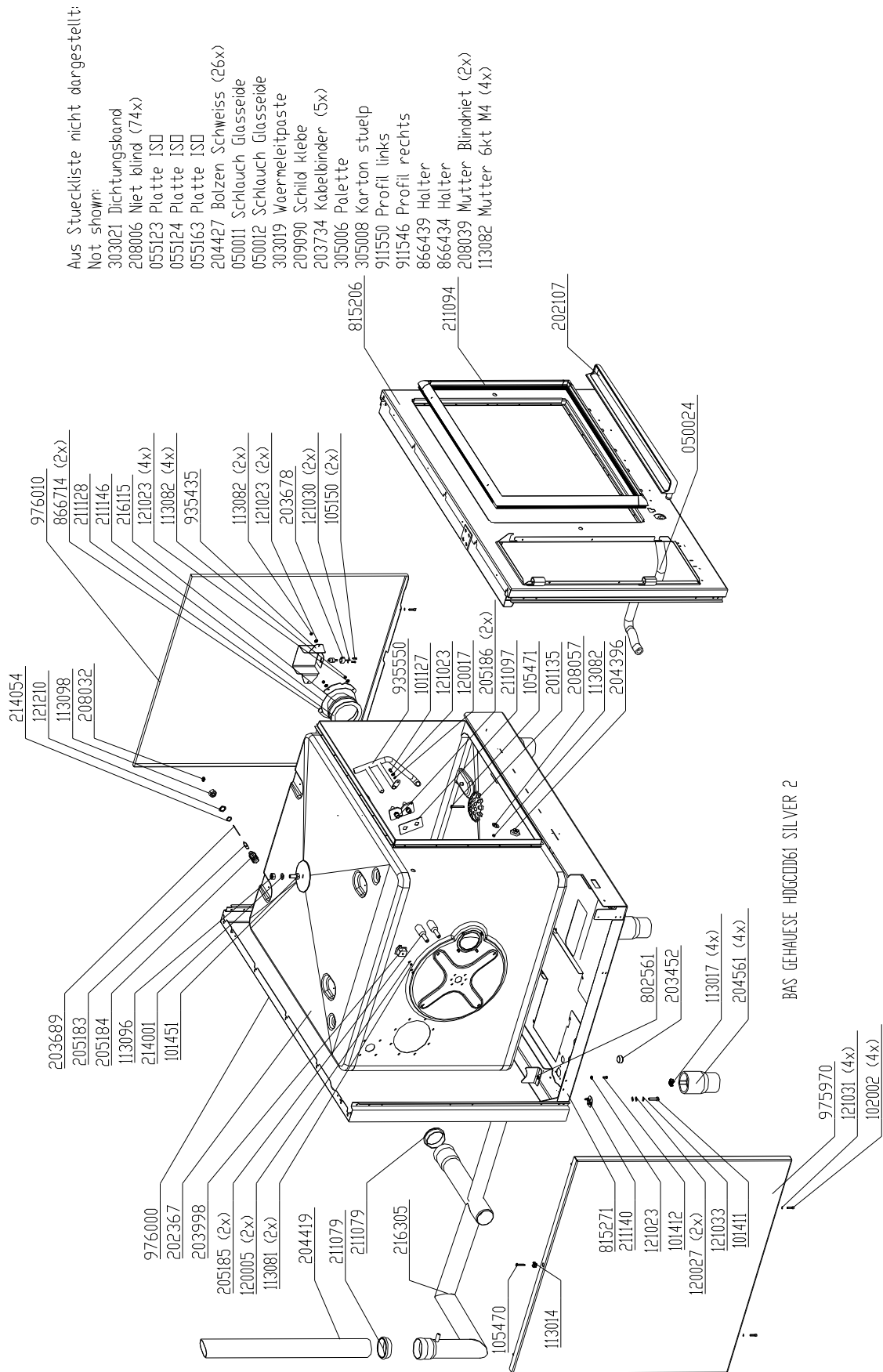
Chassis 10.x Electric Silver2 Valid from S/N 11208883 (August 2011)



Aus Stueckliste nicht dargestellt:
 Not shown:

- 303021 Dichtungsband
- 208006 Niet blind (74x)
- 10010155 Platte ISD HDECDD61 Gehäusebedeckel
- 10010153 Platte ISD HDECDD61 Boden
- 10010148 Platte ISD HDECDD101 Garraum
- 204427 Bolzen Schweiß (26x)
- 209090 Schild klebe
- 203734 Kabelbinder (5x)
- 305006 Palette
- 305008 Karton stueelp

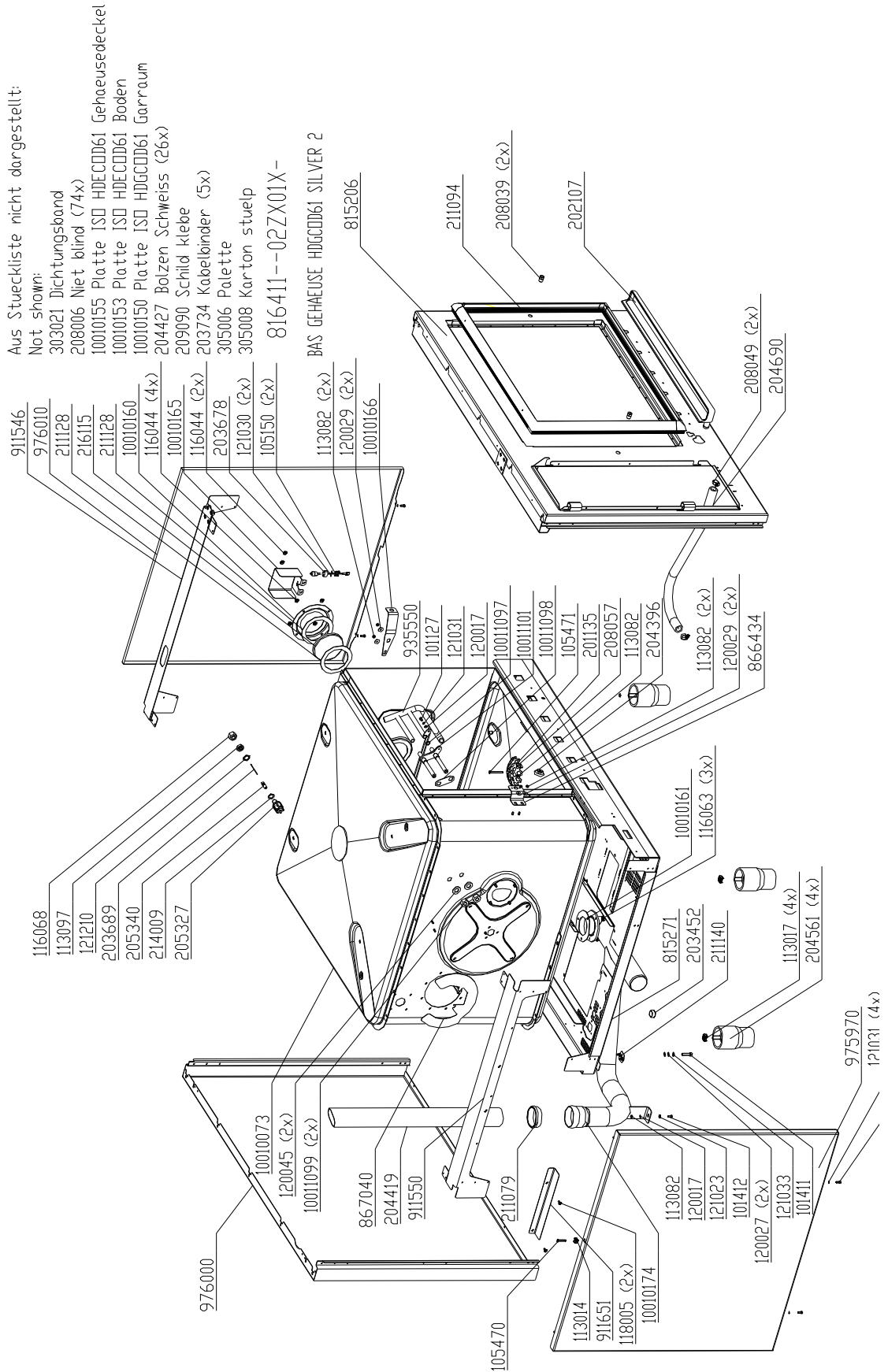
Chassis 6.x Gas Silver2 Valid until S/N 11209861 (August 2011)



- Aus Stueckliste nicht dargestellt:
 Not shown:
- 303021 Dichtungsbund
 - 208006 Niet blind (74x)
 - 055123 Platte ISO
 - 055124 Platte ISO
 - 055163 Platte ISO
 - 204427 Bolzen Schweiß (26x)
 - 050011 Schlauch Glassiede
 - 050012 Schlauch Glassiede
 - 303019 Waermeleitpaste
 - 209090 Schild-Klebe
 - 203734 Kabelbinder (5x)
 - 305006 Palette
 - 305008 Karton stuehp
 - 911550 Profil links
 - 911546 Profil rechts
 - 866439 Halter
 - 866434 Halter
 - 208039 Mutter Blindniet (2x)
 - 113082 Mutter 6kt M4 (4x)

BAS GEHAUESE HDGCD061 SILVER 2

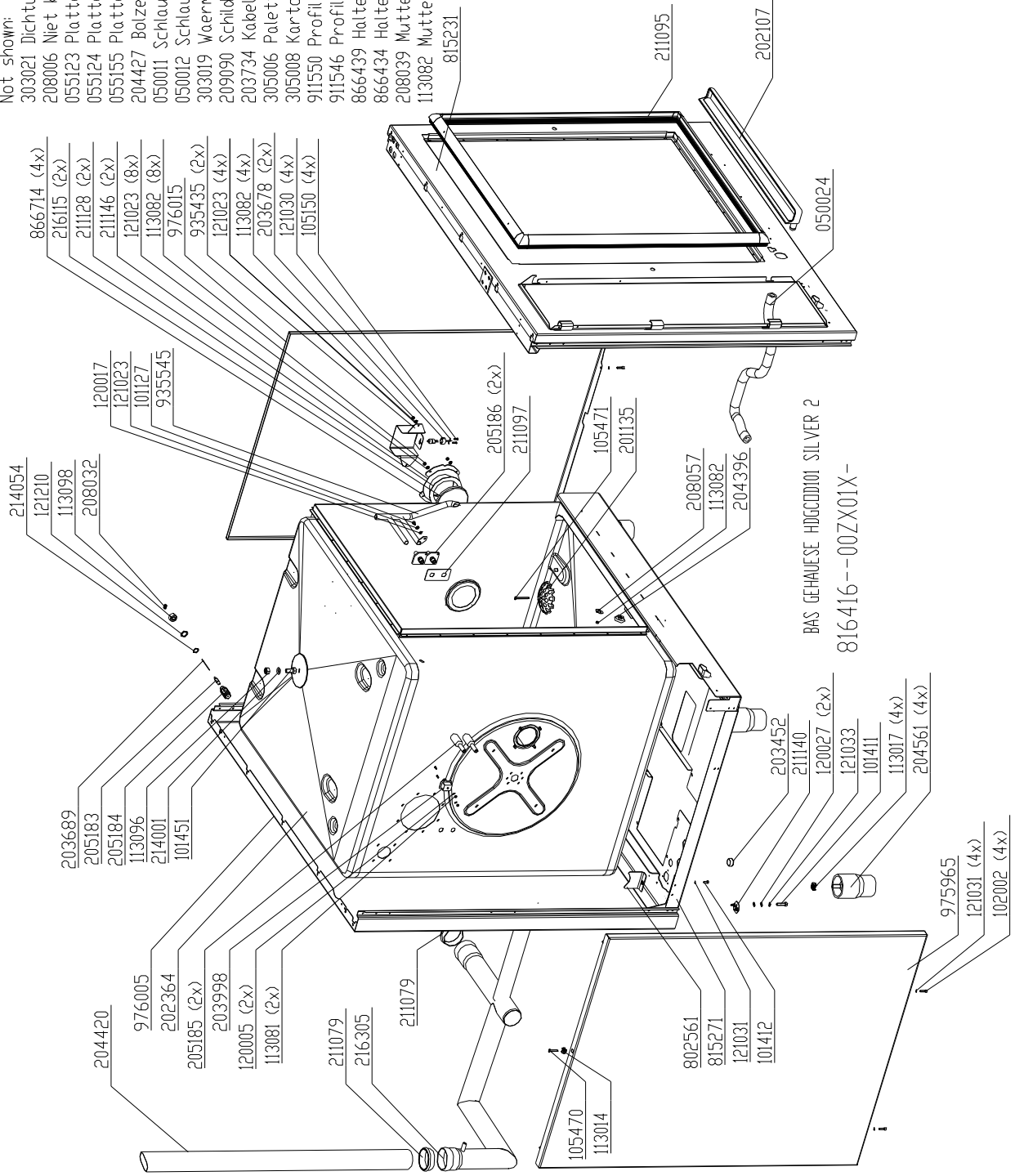
Chassis 6.x Gas Silver2 Valid from S/N 11209862 (August 2011)



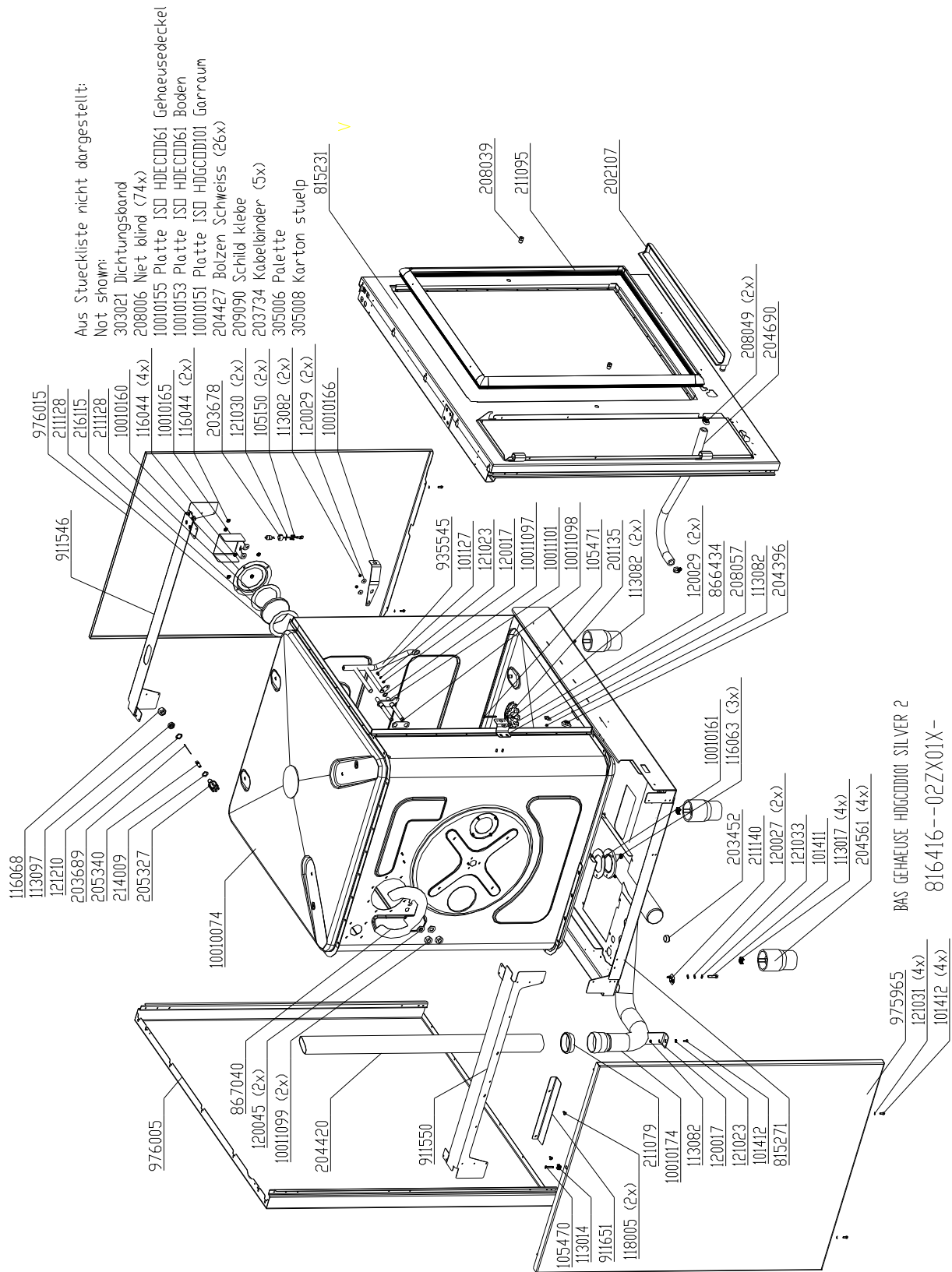
Chassis 10.x Gas Silver2 Valid until S/N 11210676 (August 2011)

Aus Stueckliste nicht dargestellt:
Not shown:

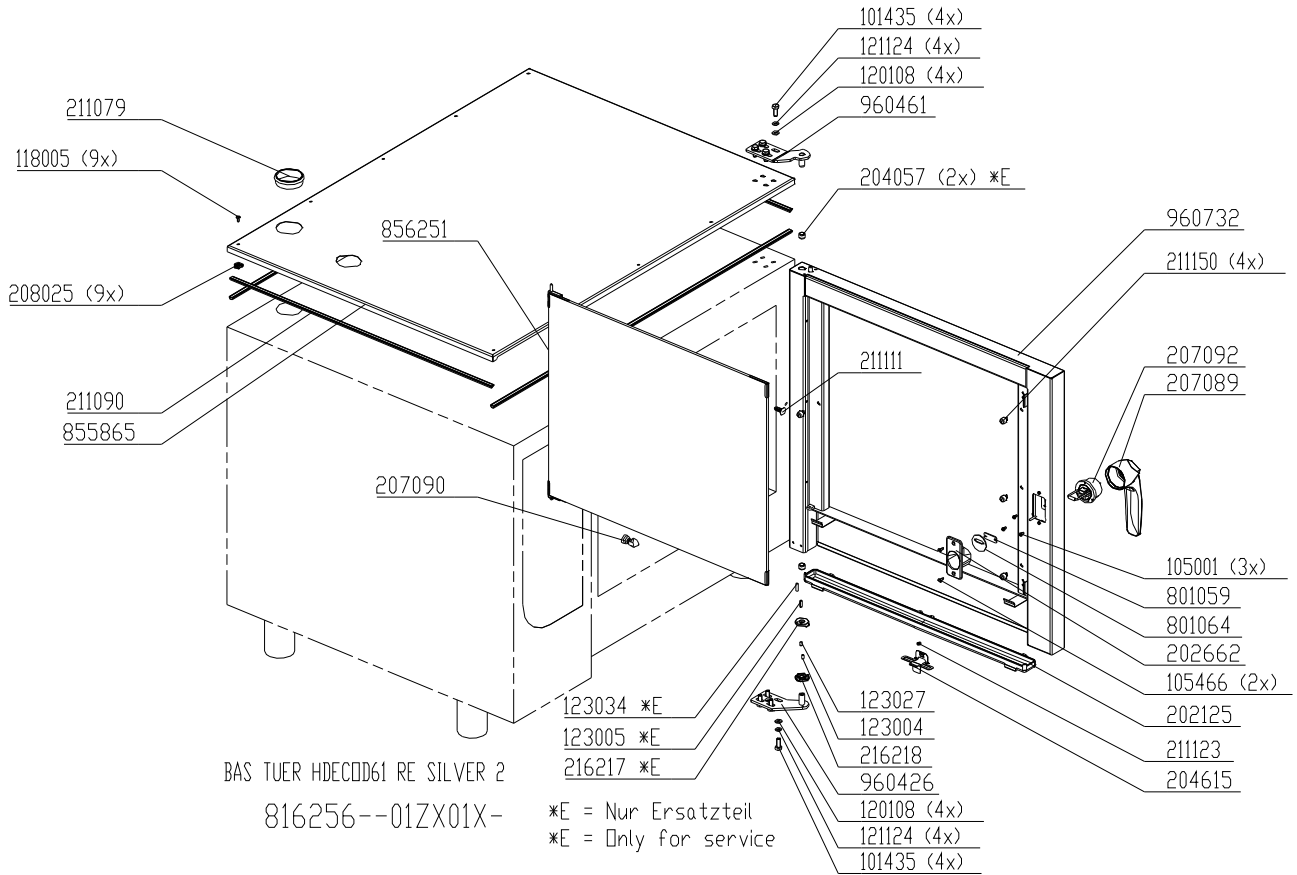
- 303021 Dichtungsband
- 208006 Niet blind (74x)
- 055123 Platte ISO
- 055124 Platte ISO
- 055155 Platte ISO
- 204427 Bolzen Schweiss (26x)
- 050011 Schlauch Glasseide
- 050012 Schlauch Glasseide
- 303019 Waermeleitpaste
- 209090 Schild klebe
- 203734 Kabelbinder (5x)
- 305006 Palette
- 305008 Karton stuelp
- 911550 Profil links
- 911546 Profil rechts
- 866439 Halter
- 866434 Halter
- 208039 Mutter Blindniet (2x)
- 113082 Mutter 6kt M4 (4x)



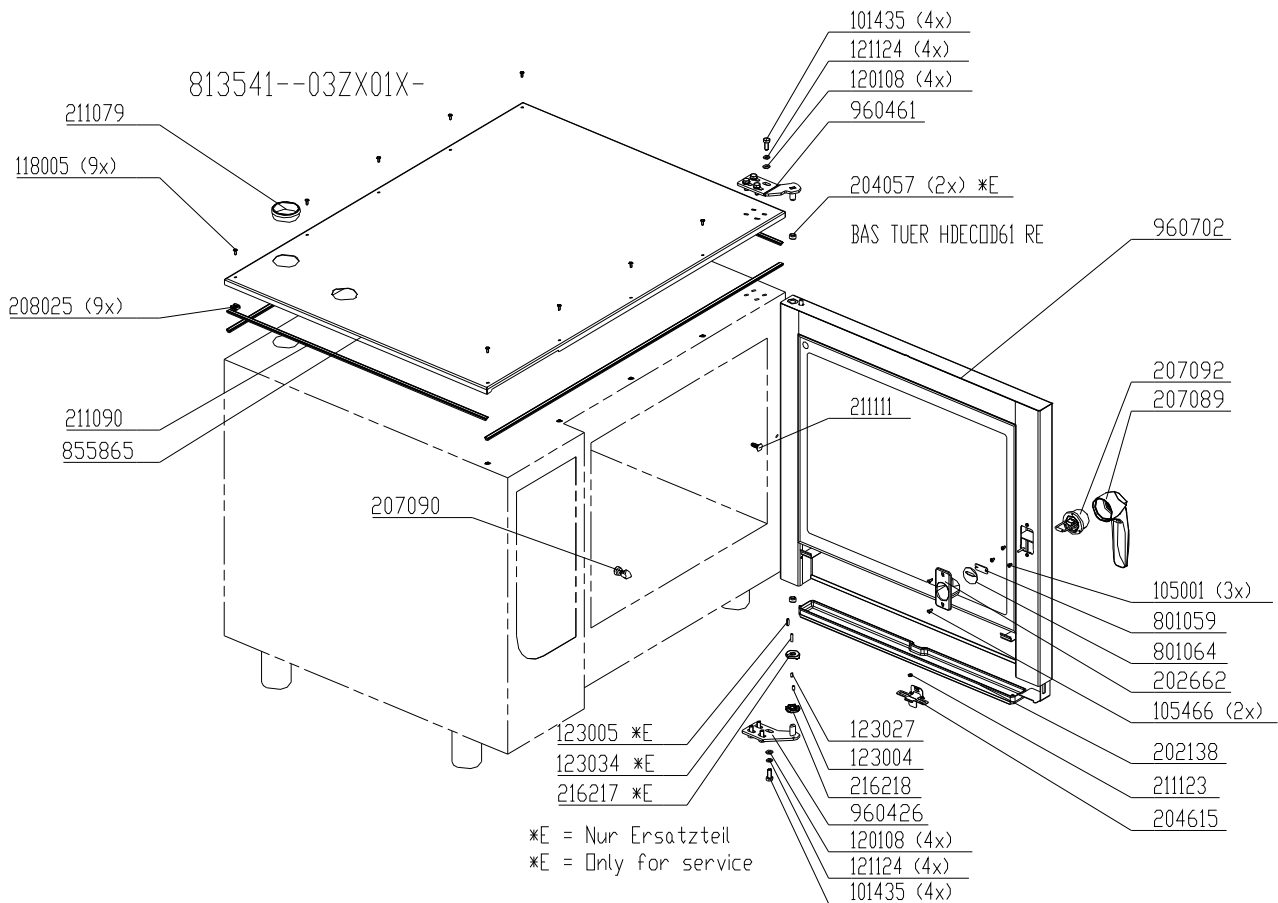
Chassis 10.x Gas Silver2 Valid from S/N 11210677 (August 2011)



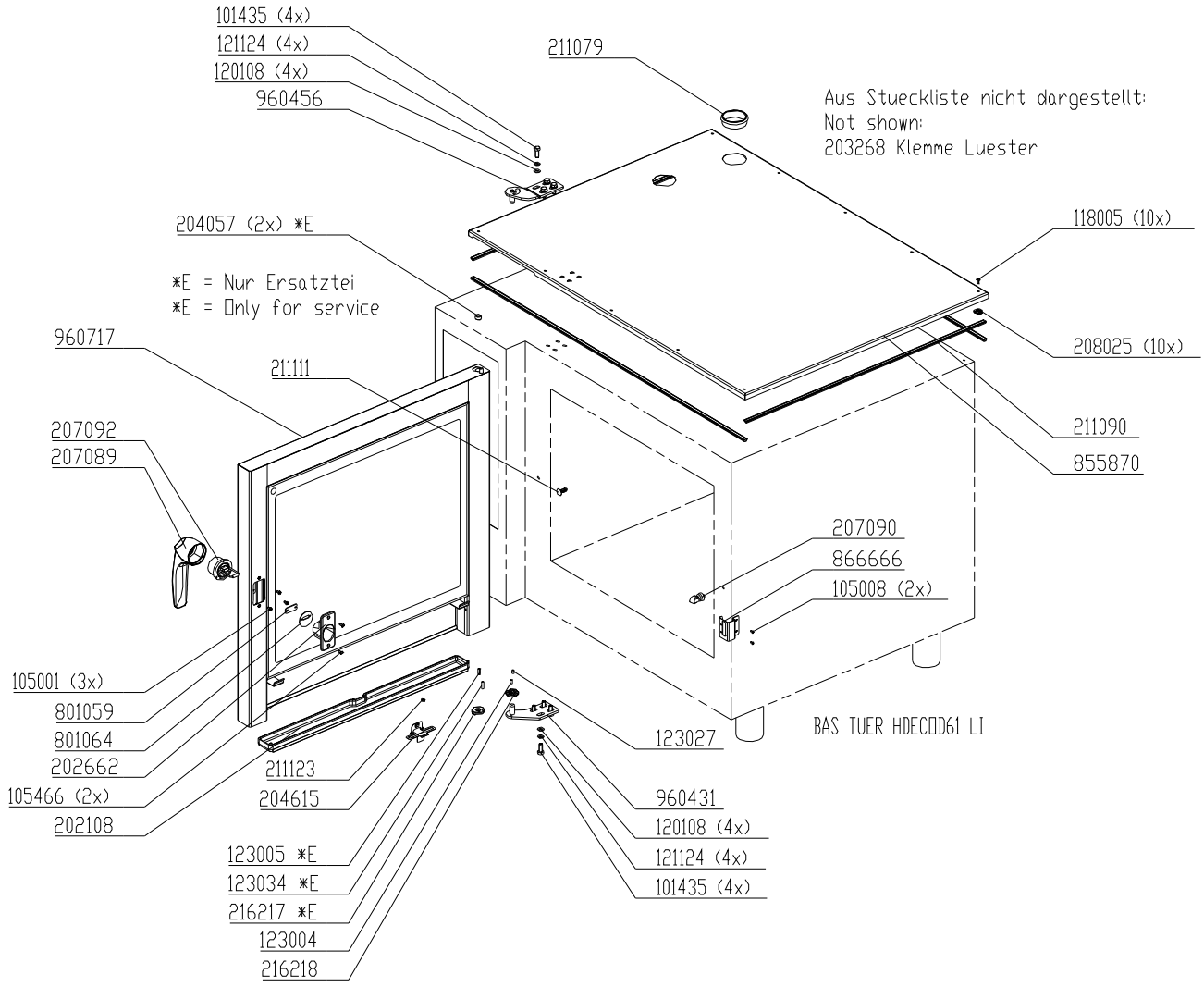
Chassis door area HD6.x electric, right hinged (double glazing)



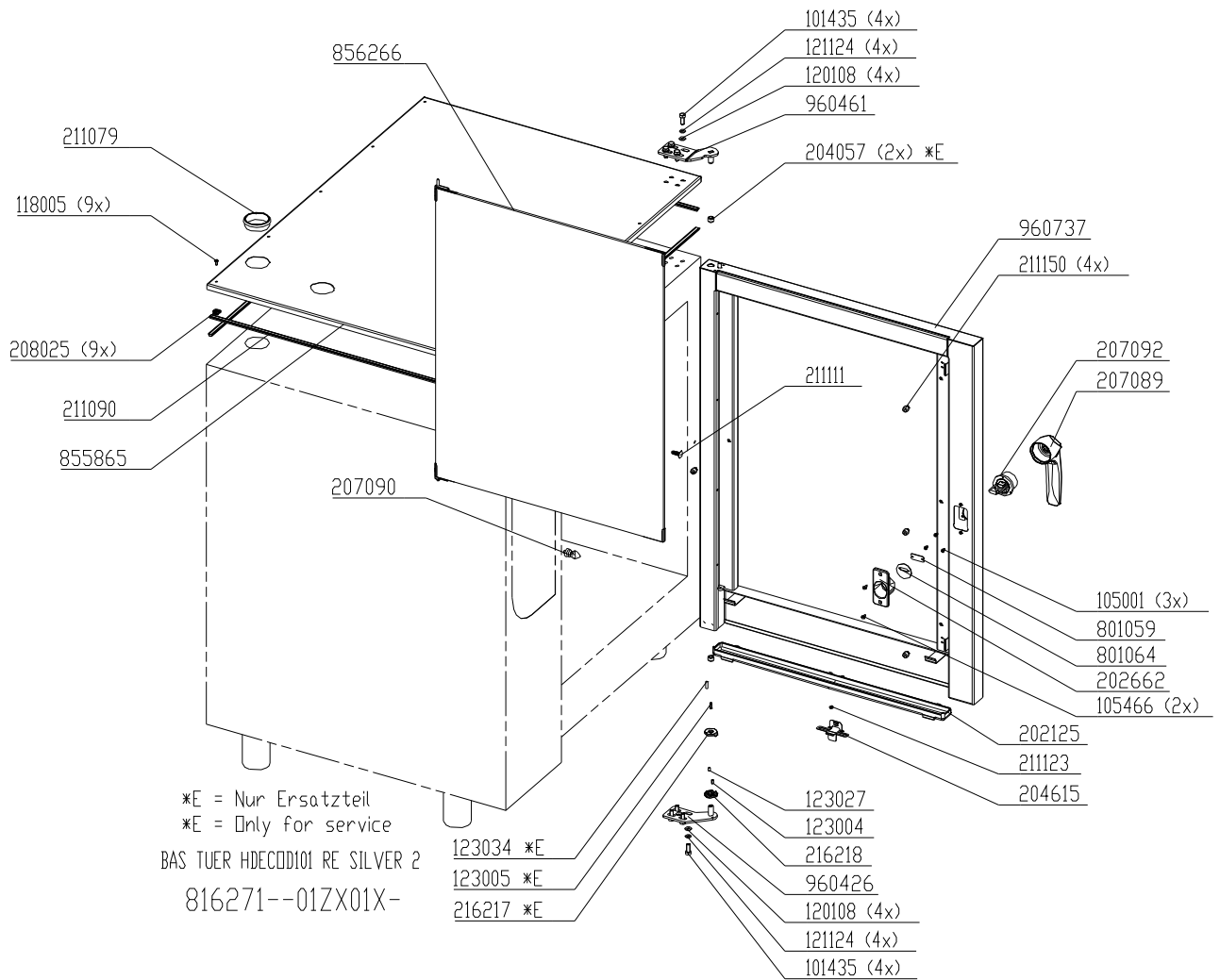
Chassis door area HD6.x electric, right hinged (triple glazing)



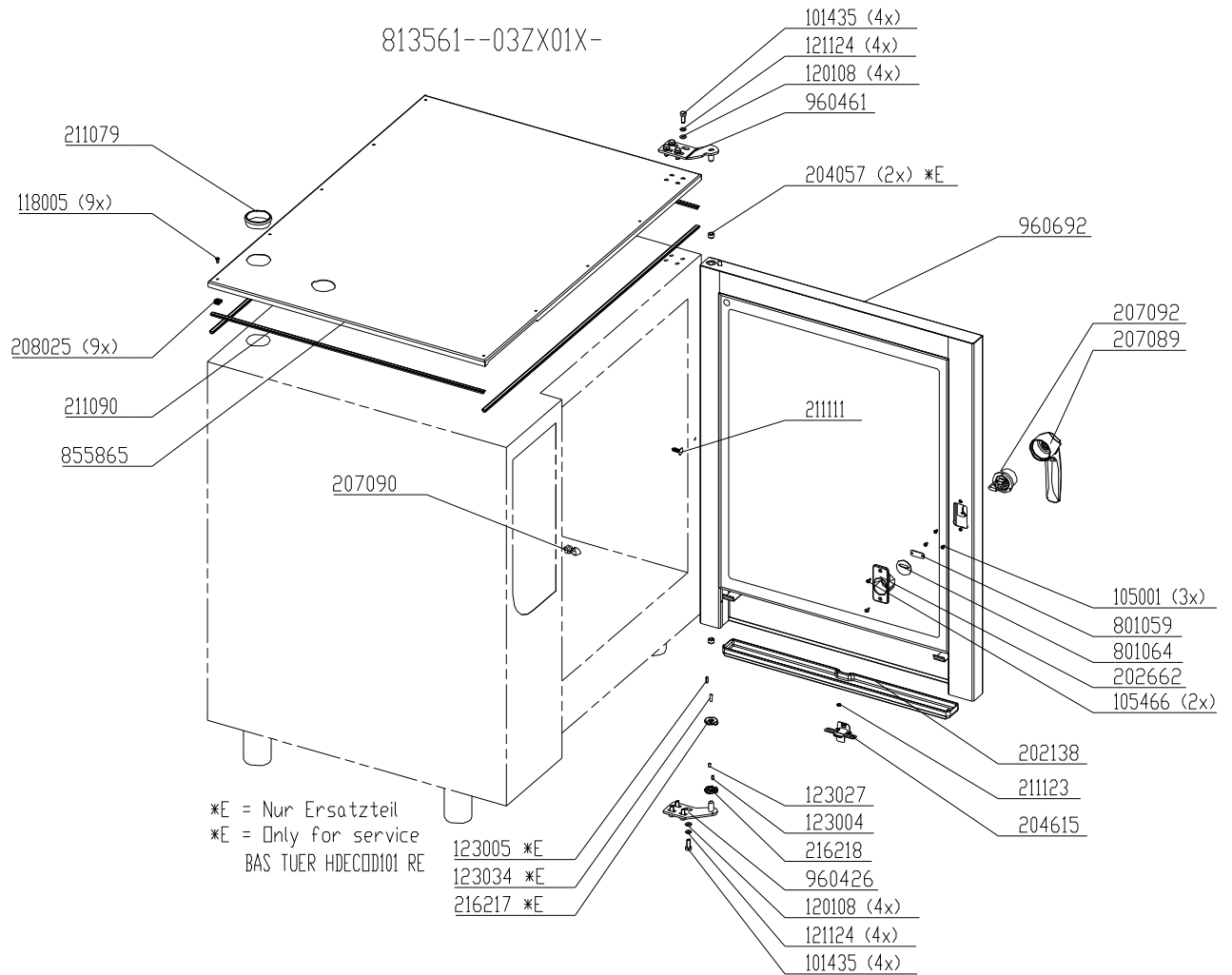
Chassis door area HD6.x electric, left hinged (triple glazing)



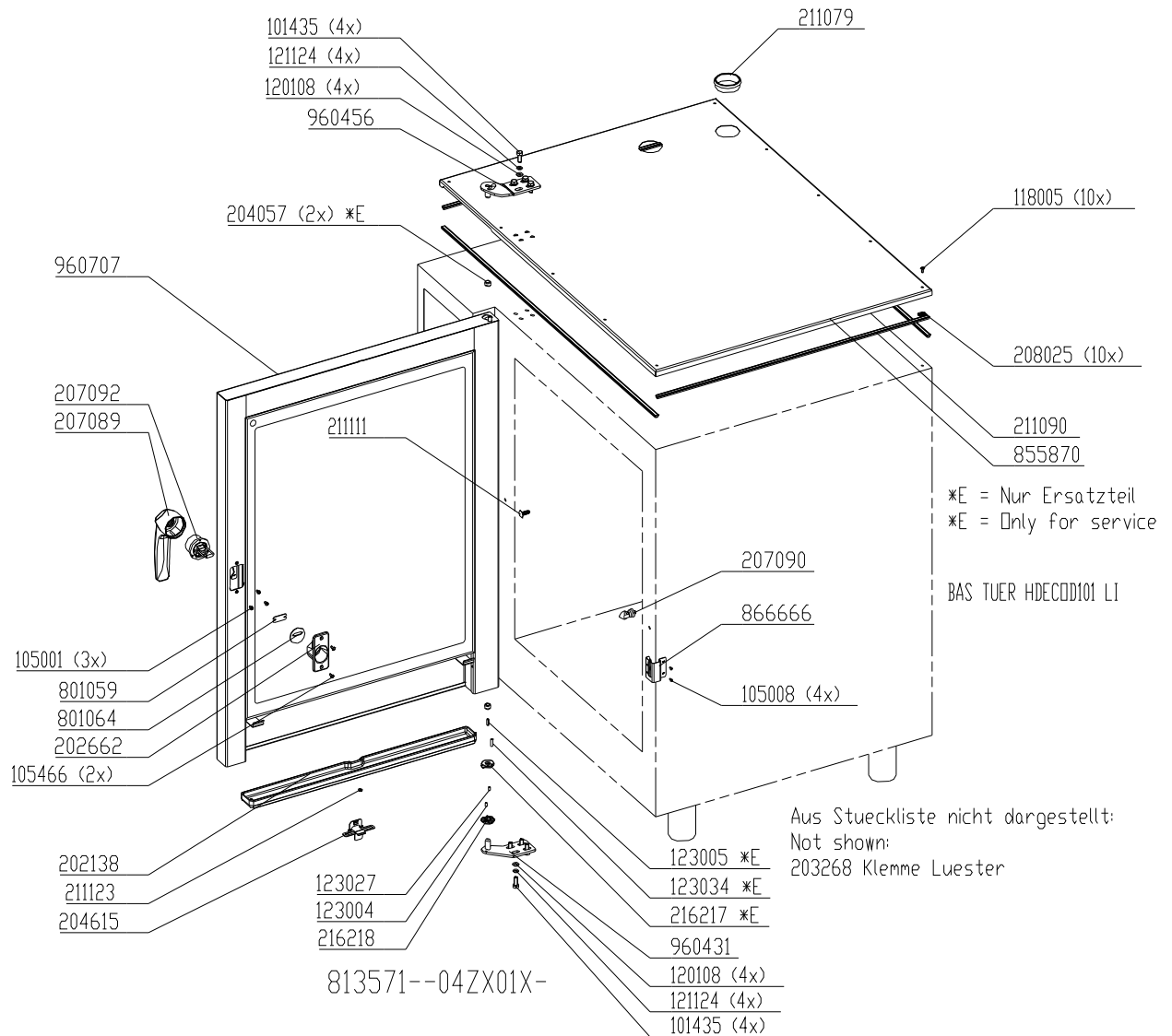
Chassis door area HD10.x electric, right hinged (double glazing)



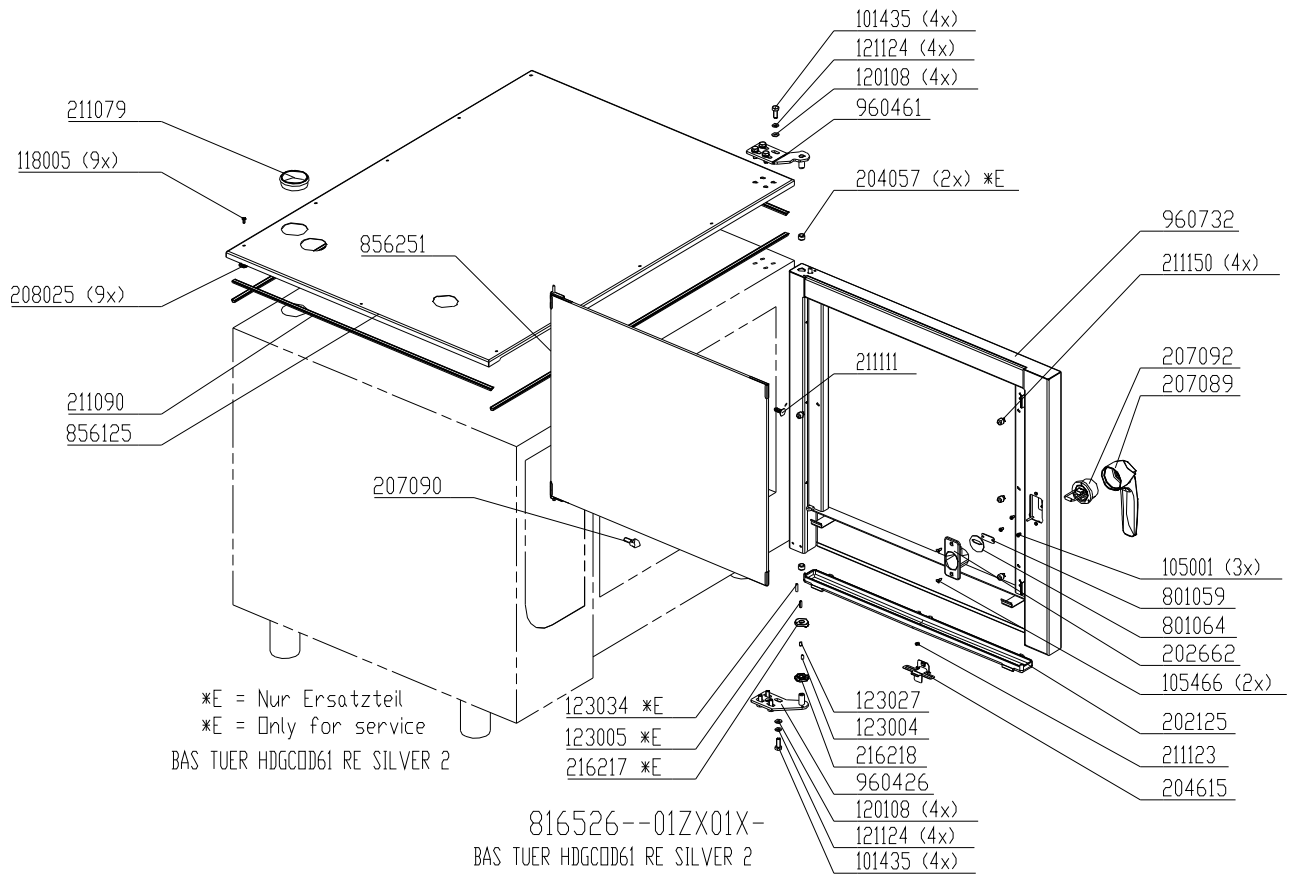
Chassis door area HD10.x electric, right hinged (triple glazing)



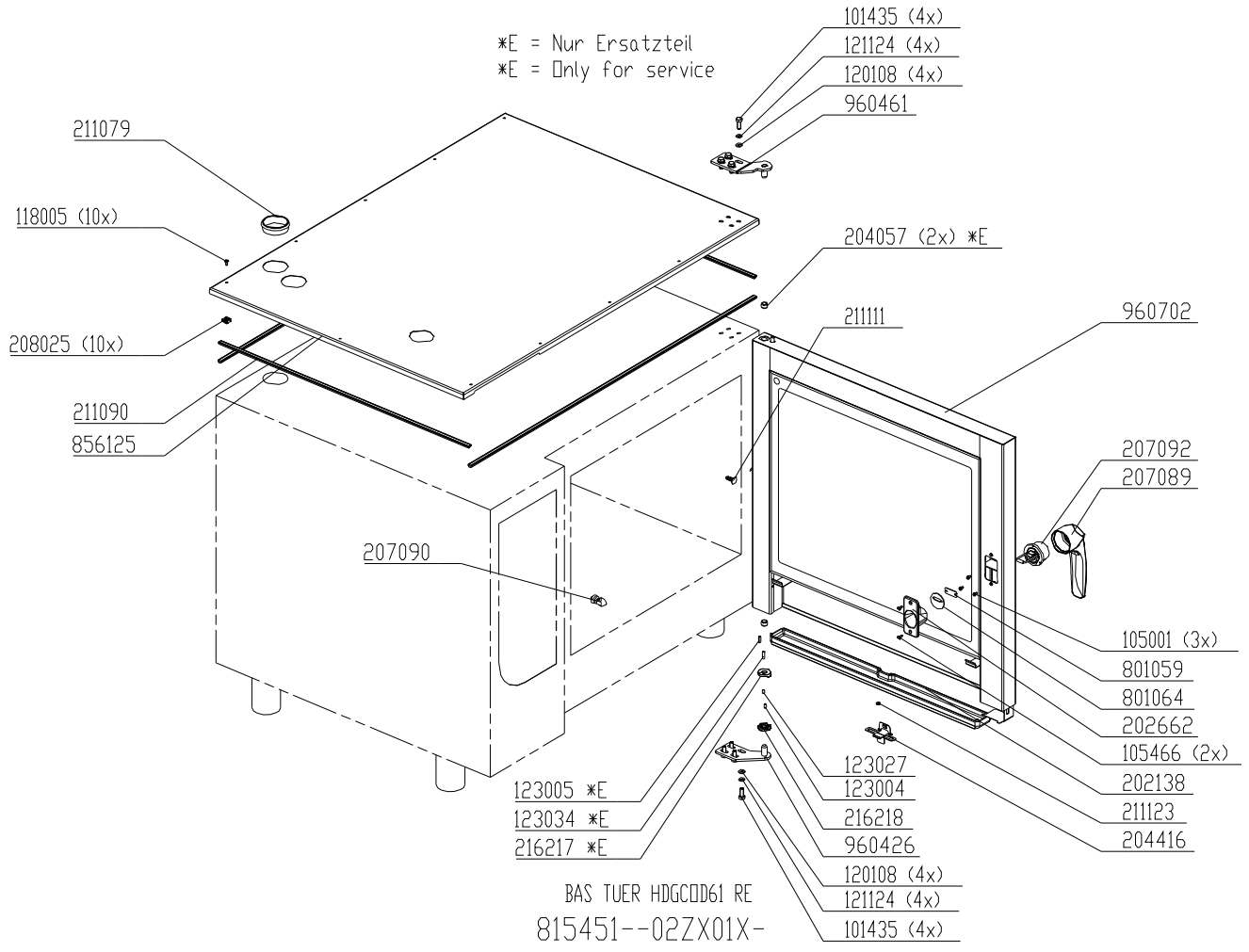
Chassis door area HD10.x electric, left hinged (triple glazing)



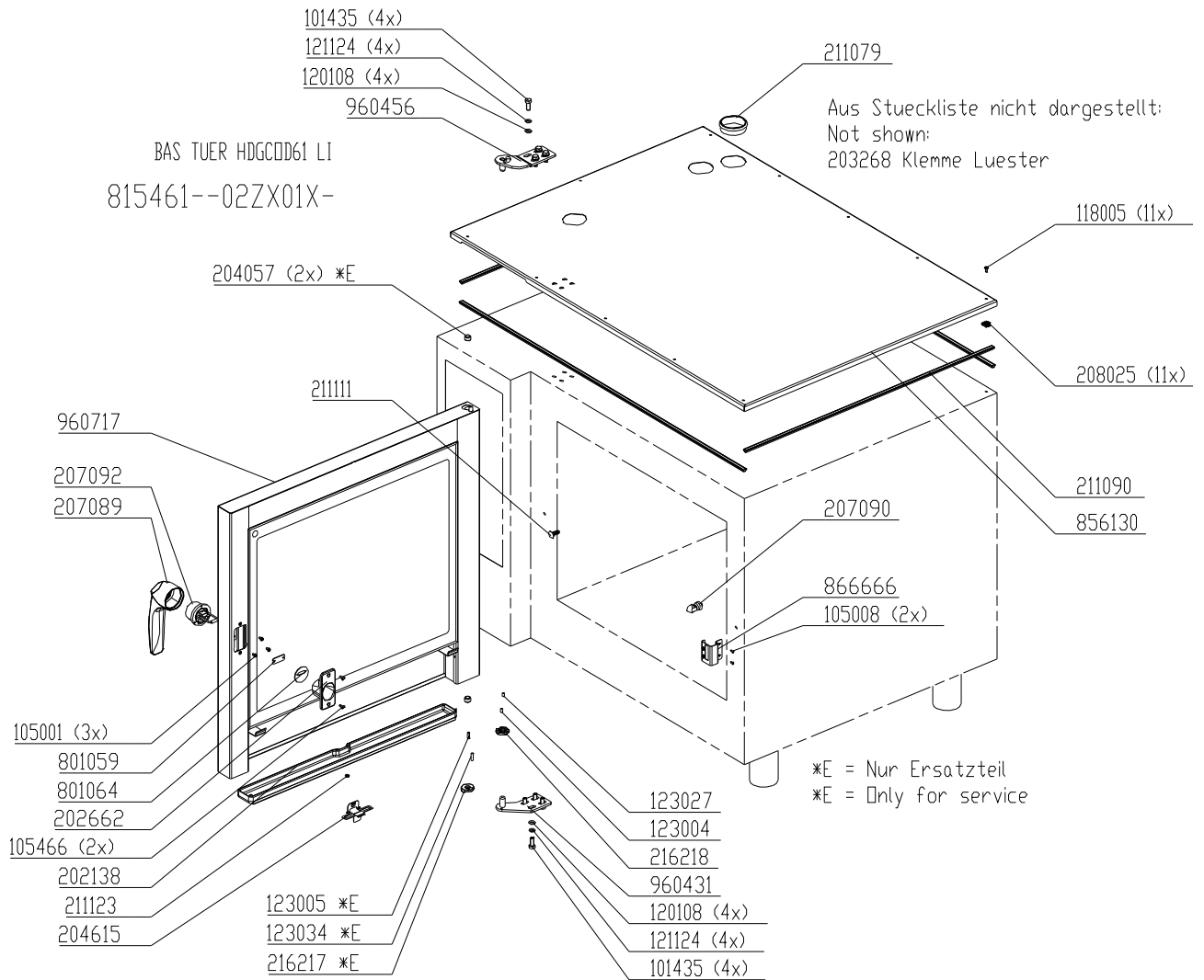
Chassis door area HD6.x gas, right hinged (double glazing)



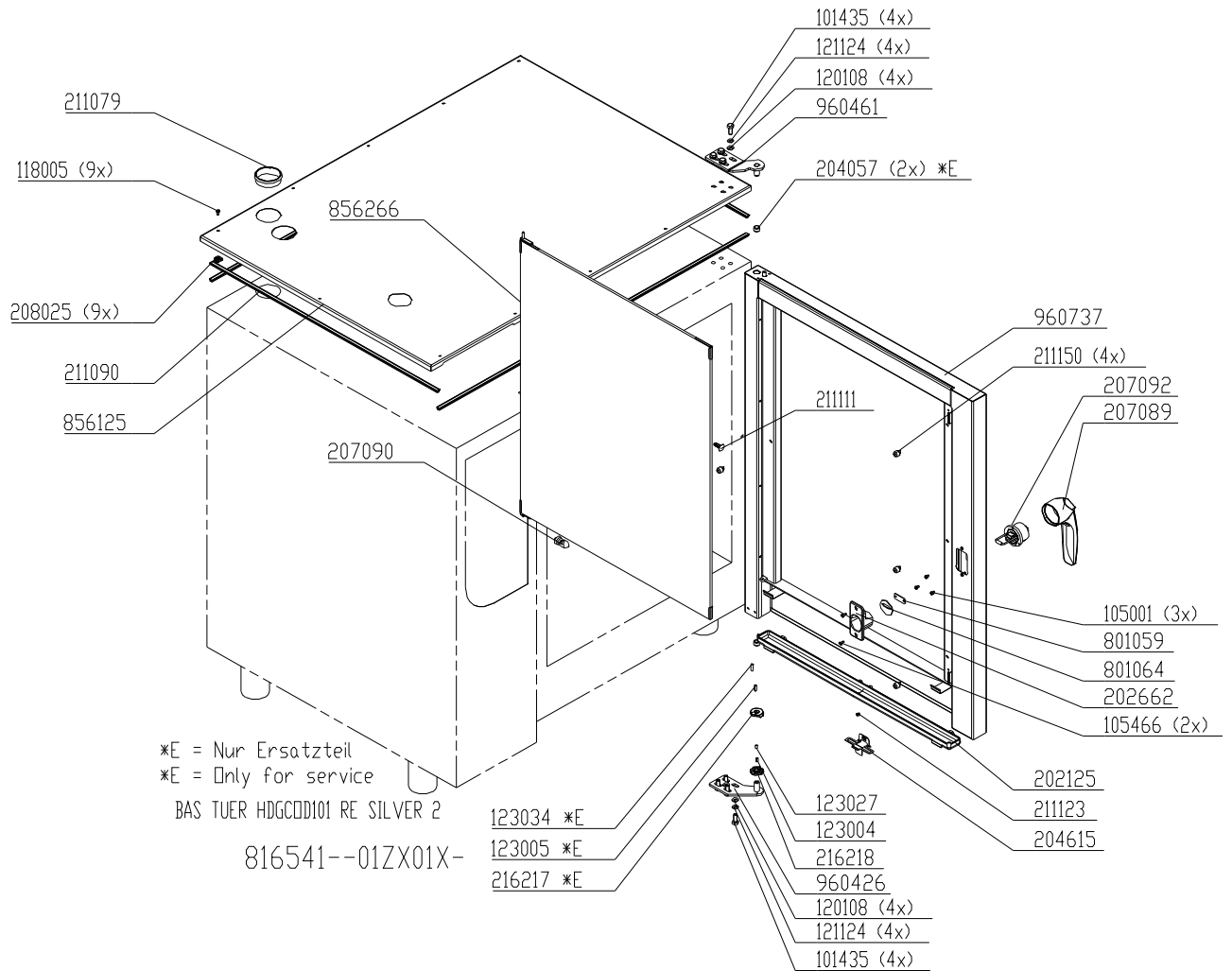
Chassis door area HD6.x gas, right hinged (triple glazing)



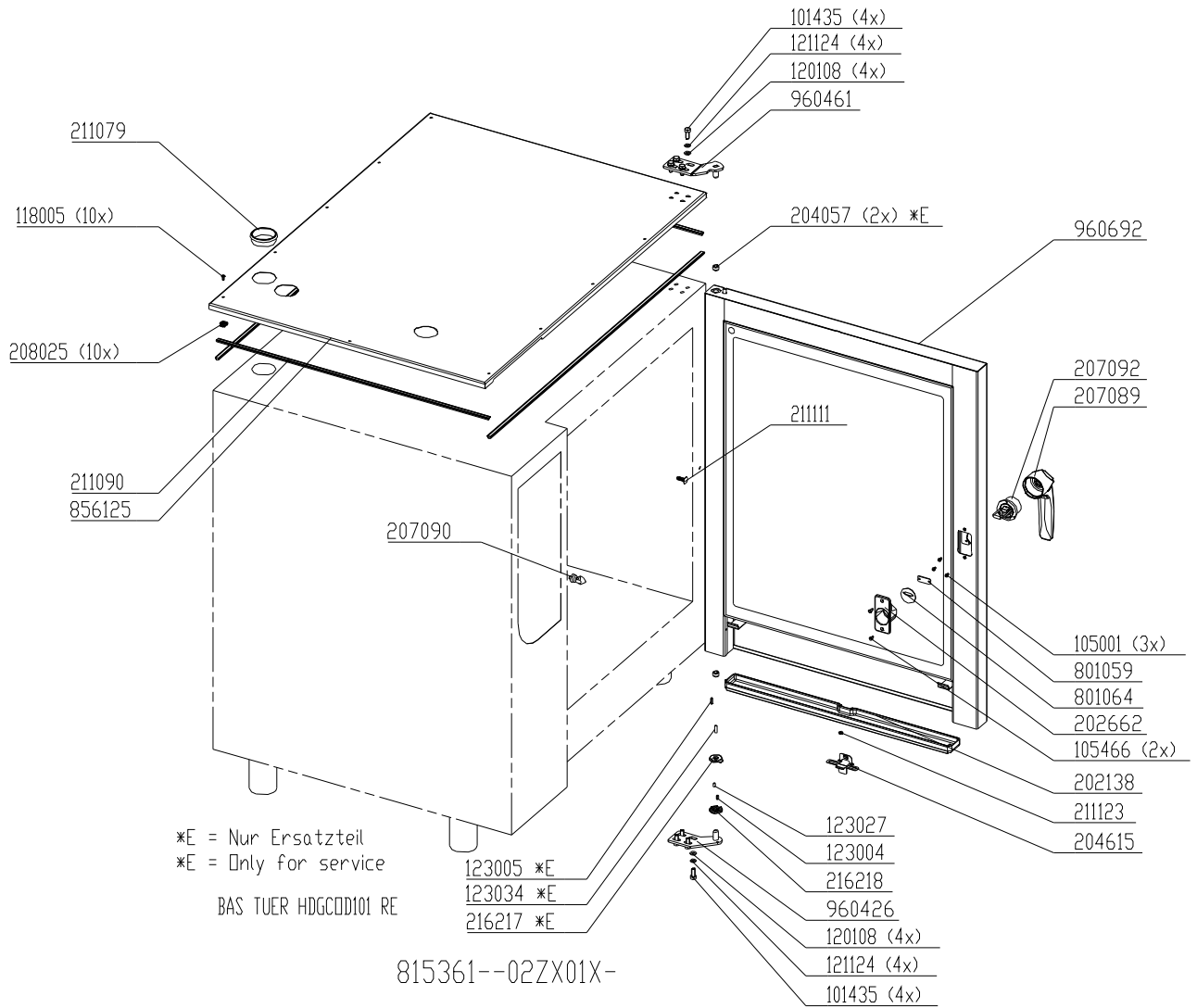
Chassis door area HD6.x gas, left hinged (triple glazing)



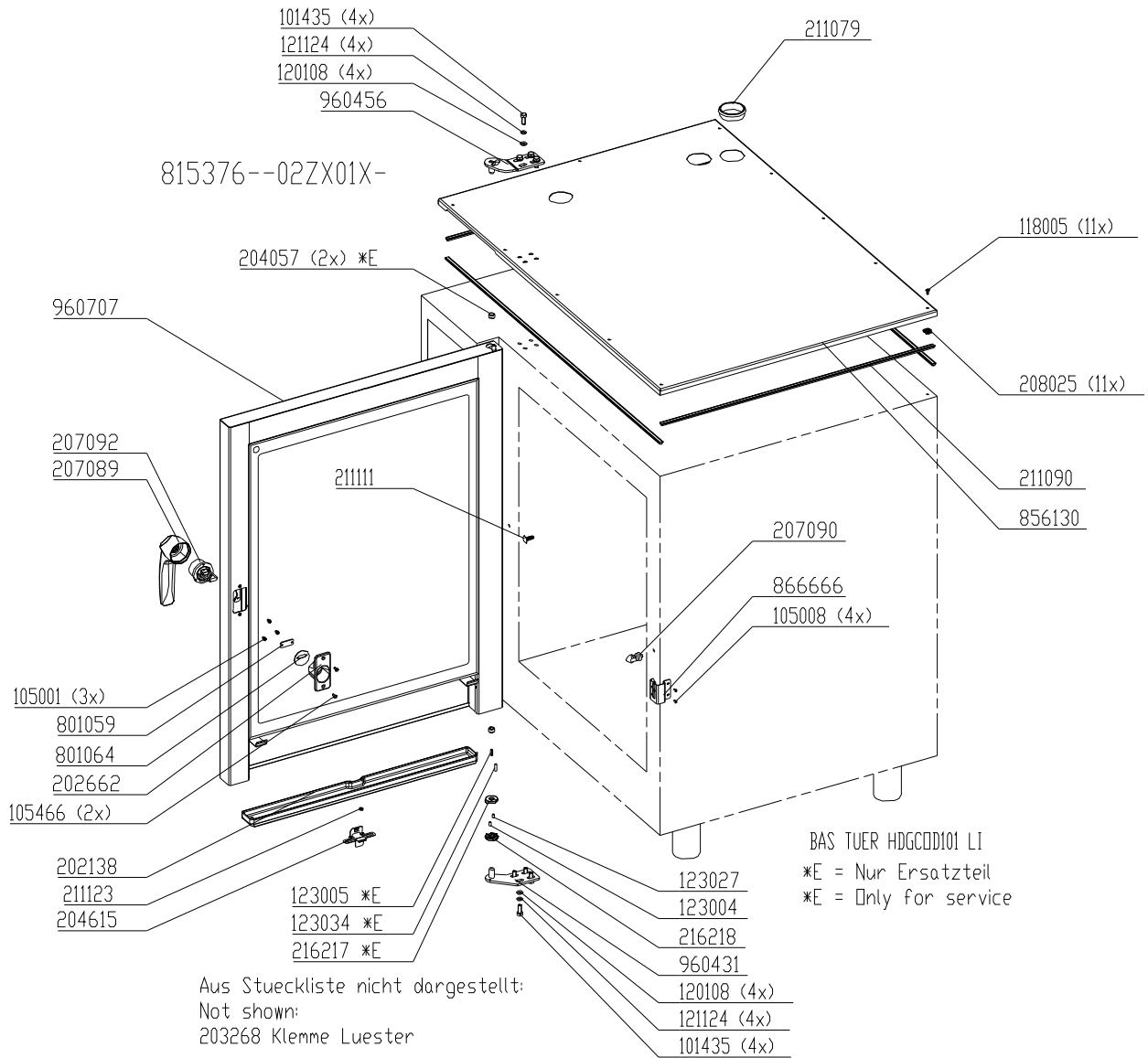
Chassis door area HD10.x gas, right hinged (double glazing)



Chassis door area HD10.x gas, right hinged (triple glazing)



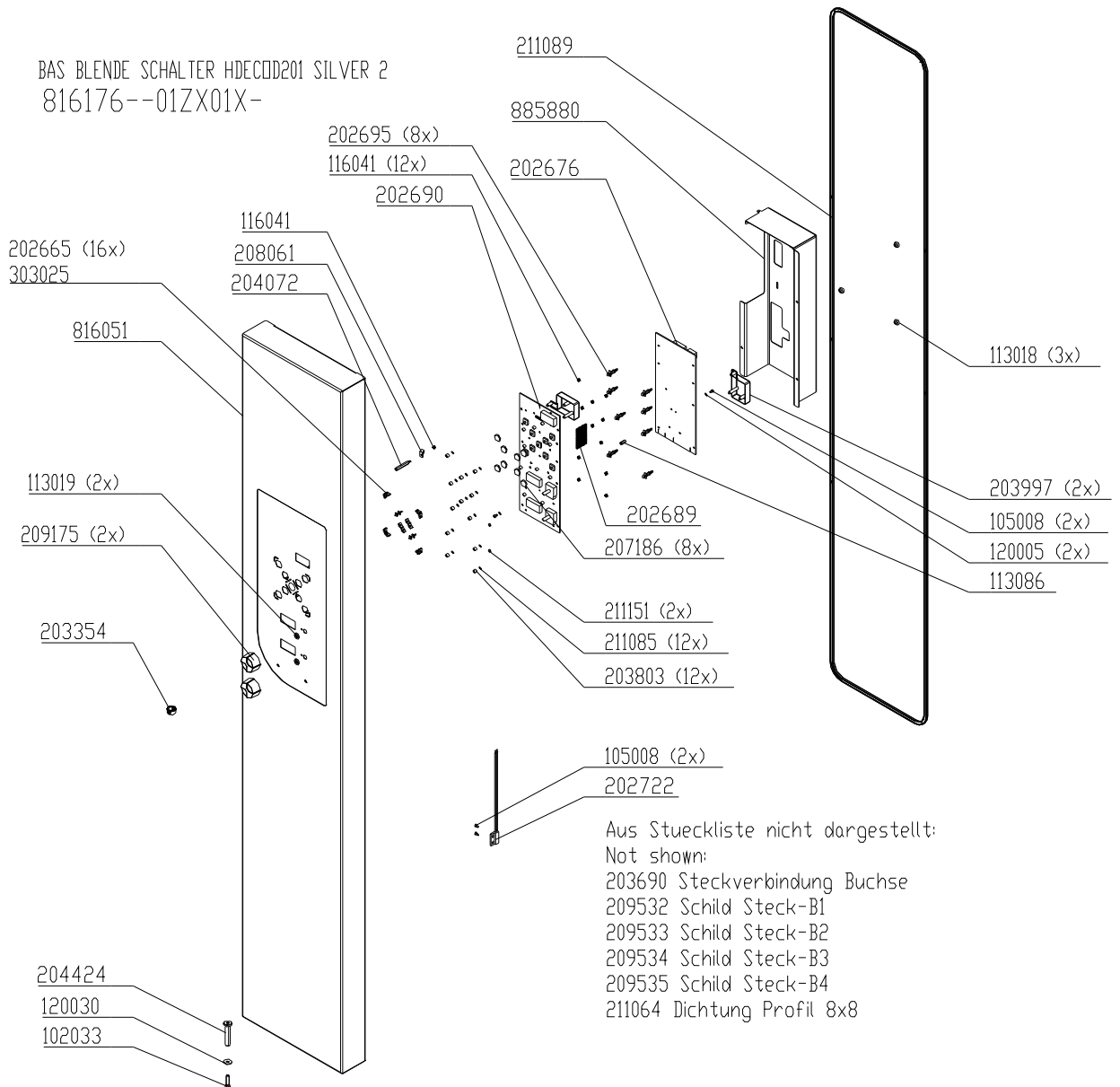
Chassis door area HD10.x gas, left hinged (triple glazing)



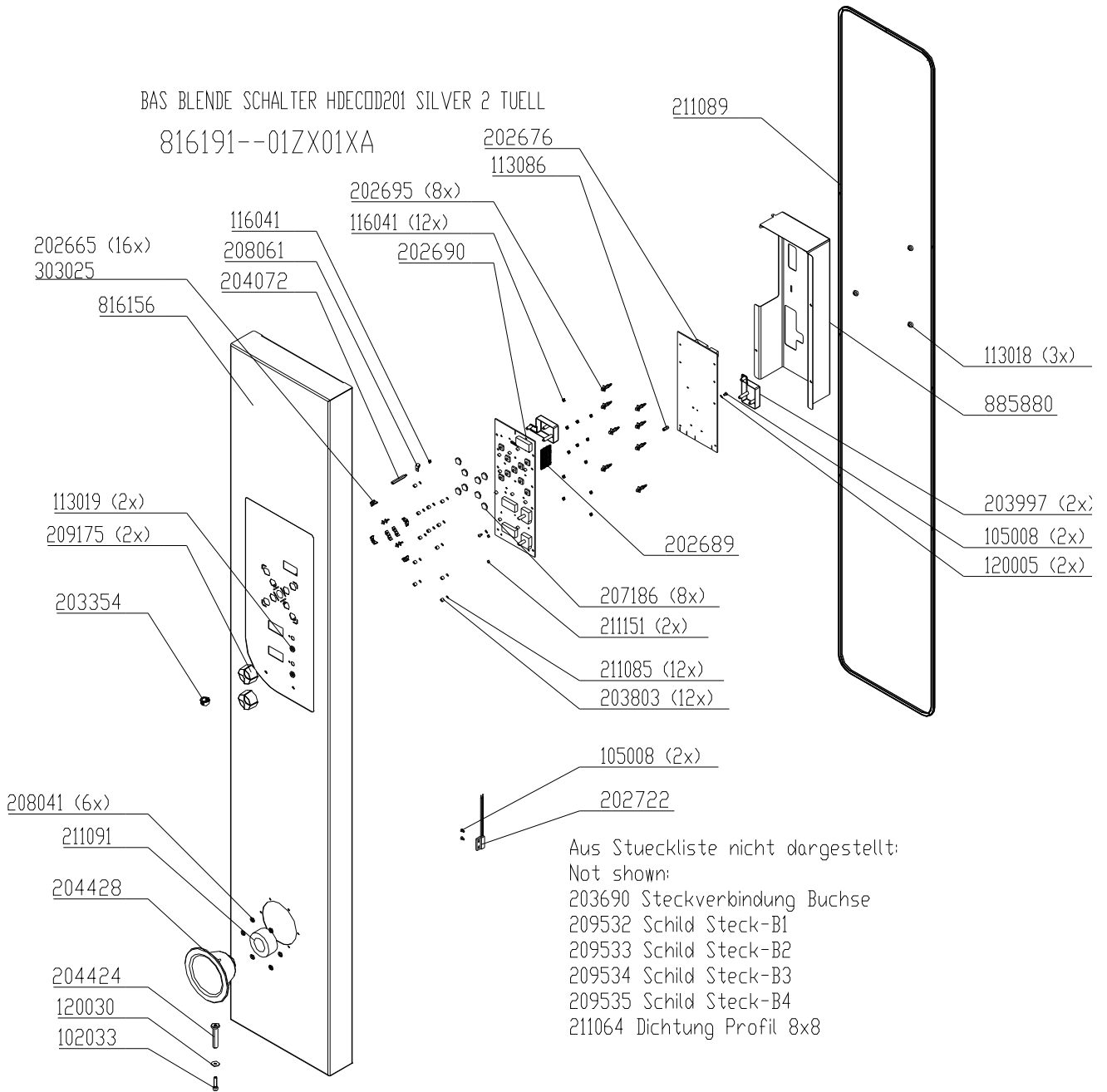
Exploded drawings 20.x

Electric & Gas

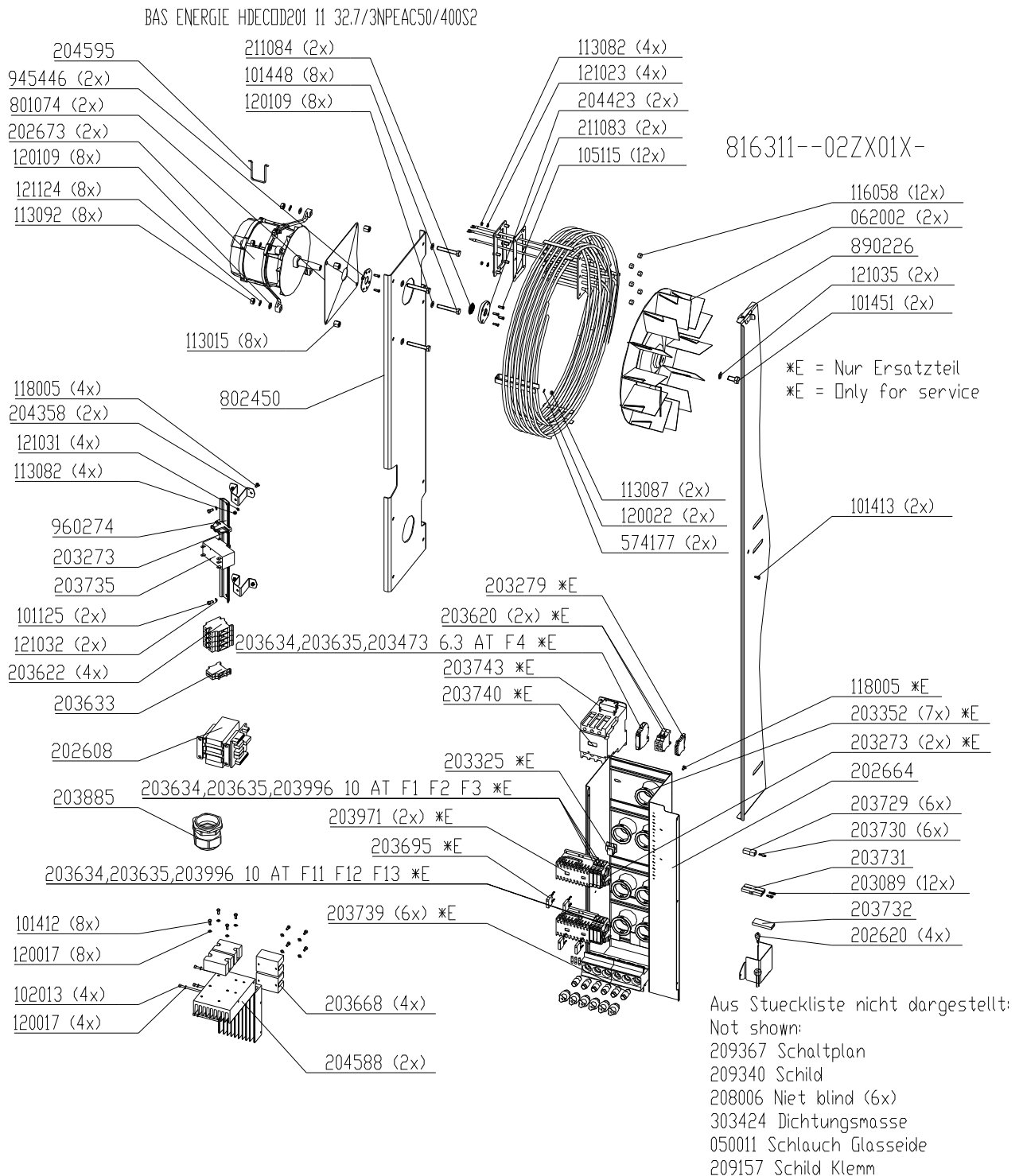
Front panel 20.x Silver2 without hand shower



Front panel 20.x Silver2 with hand shower

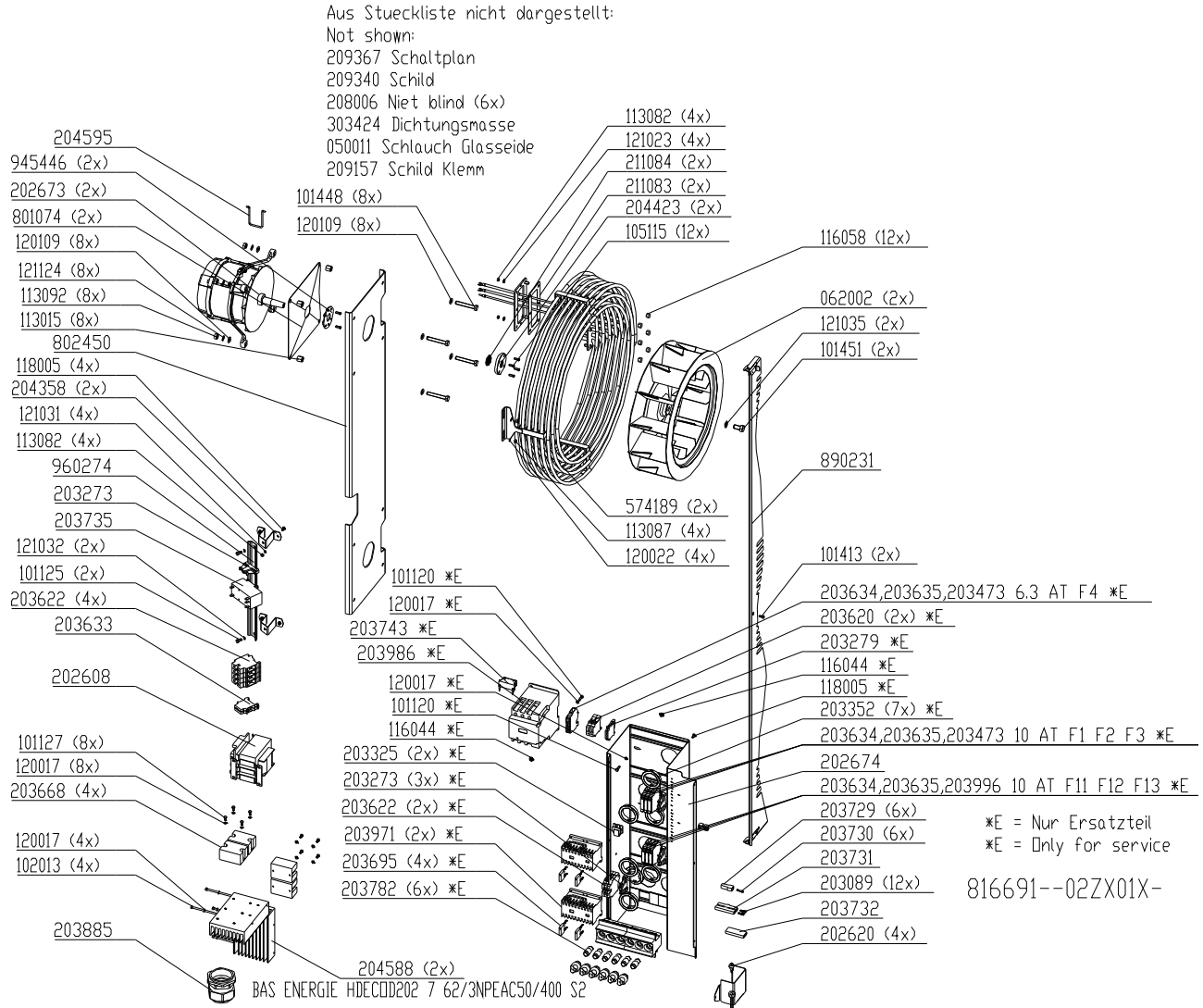


Electric assembly 3NPE 400V HD20.1 Silver2



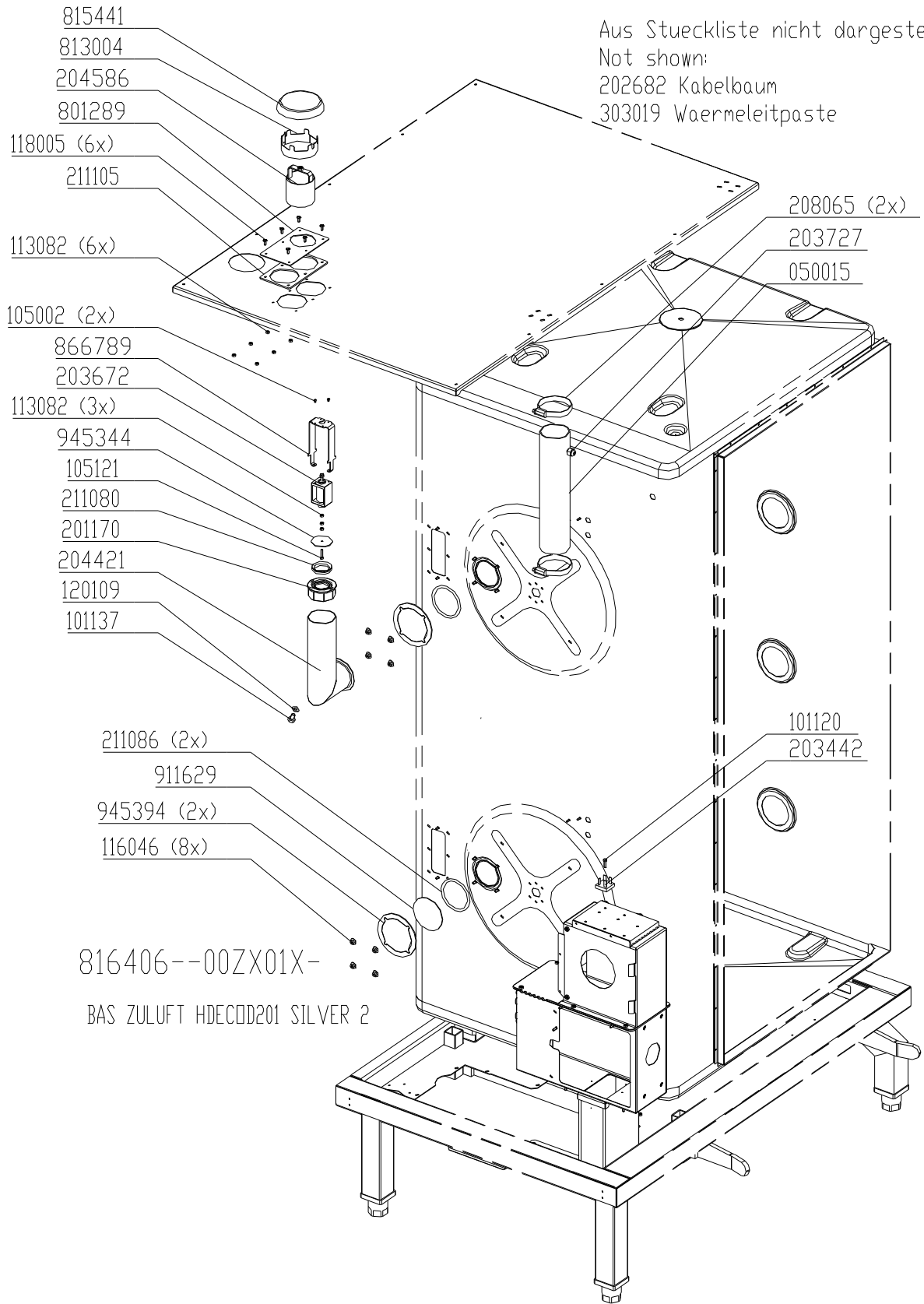
Bis (until) S/N 08022075 (August2008) Transformator (transformer) #203818
 Ab (from) S/N 11212250 (October 2011): #945446 → #945661, #204423 → 204681,
 #202620 → #203679

Electric assembly 3NPE 400V HD20.2 Silver2

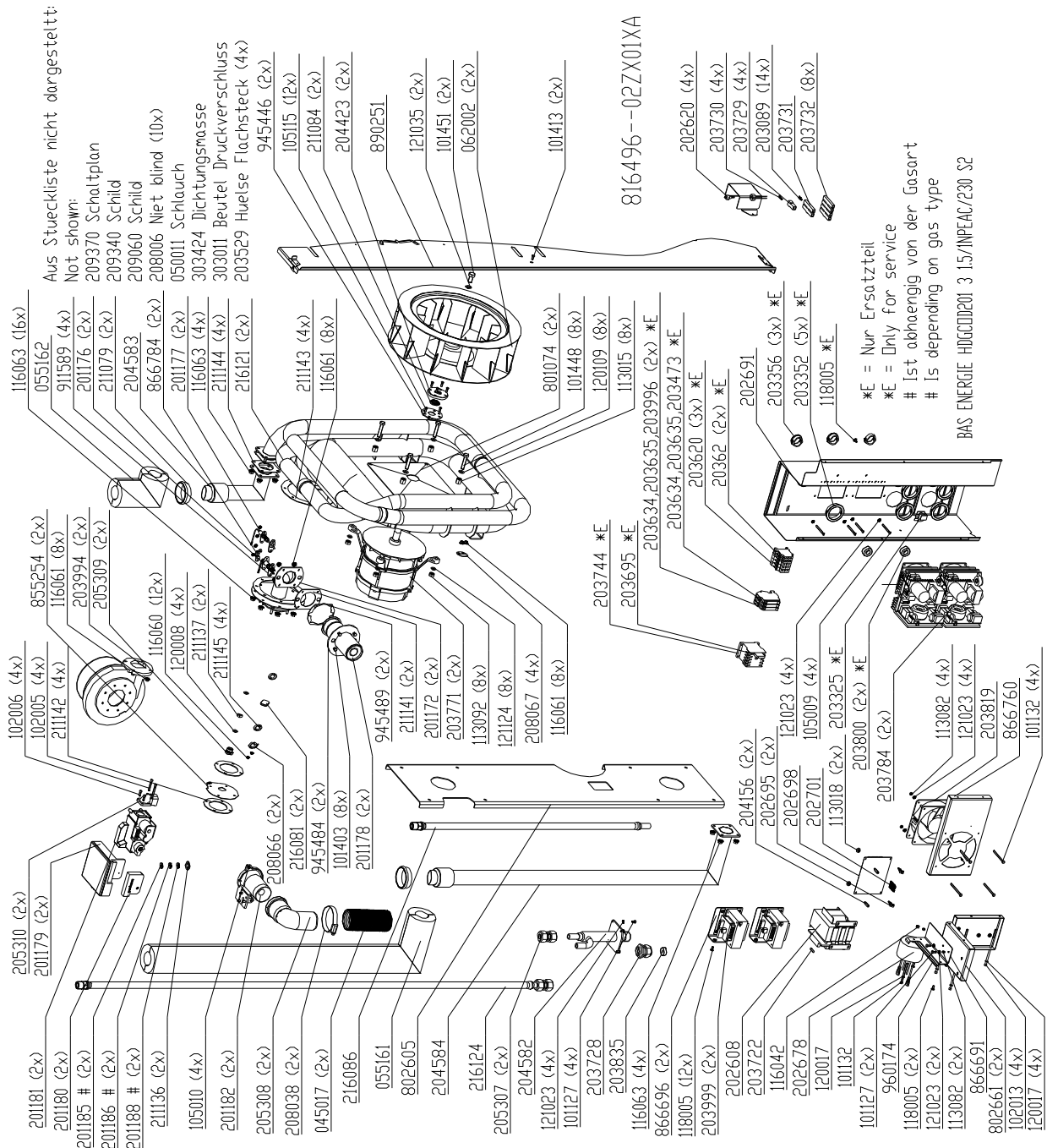


Bis (until) S/N 08022075 (August2008) Transformator (transformer) #203818
 Ab (from) S/N 11212250 (October 2011): #945446 → #945661, #204423 → 204681,
 #202620 → #203679

Fresh air assembly 20.x Silver2



Gas assembly HD20.1 Silver2

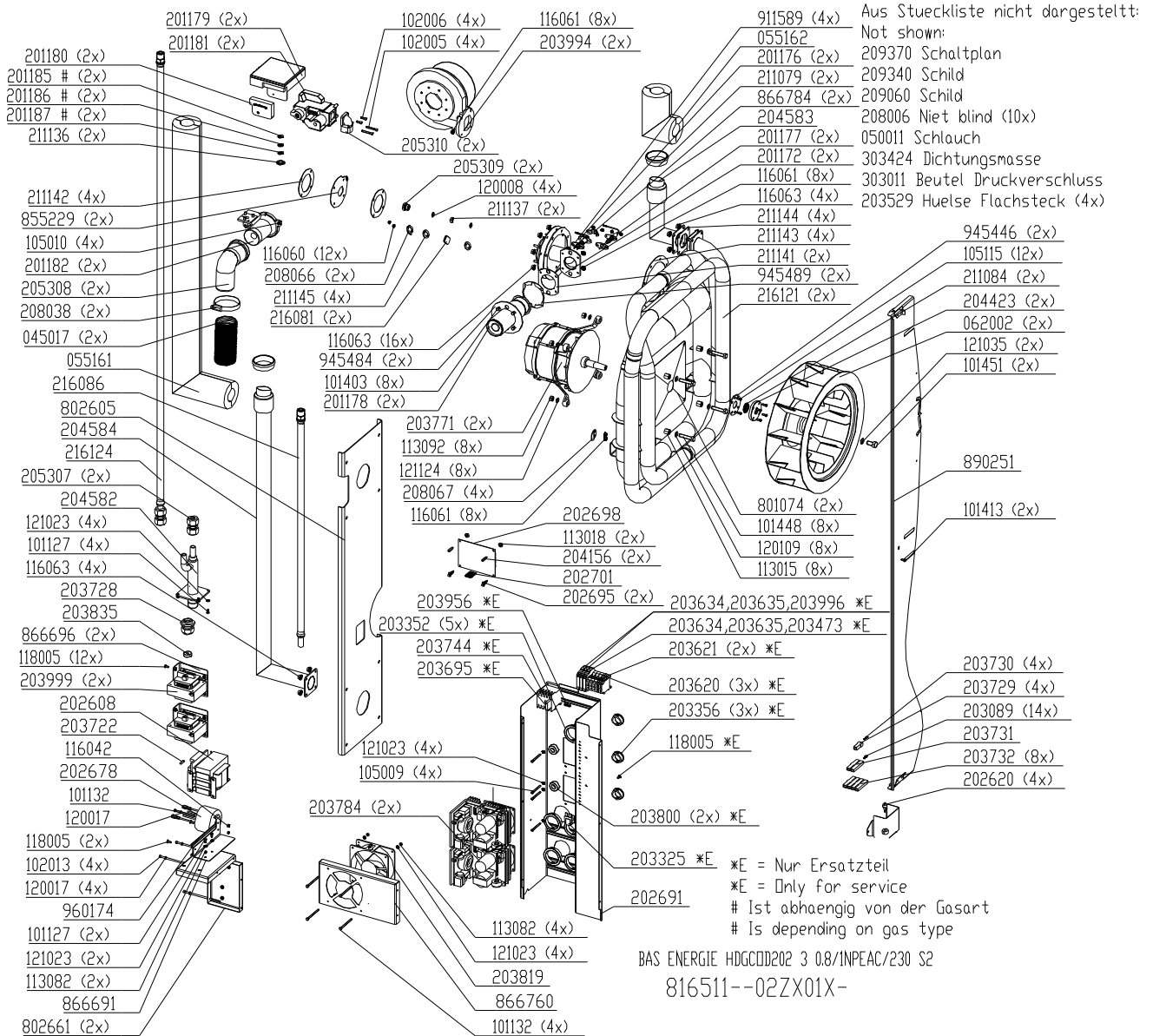


Bis (until) S/N 08022075 (August2008) Transformator (transformer) #203818

Bis (until) S/N 09020157: #216085 ersetzt durch (replaced by) #216121 & # 855254. Es müssen beide Teile ersetzt werden (Both parts must be replaced)!

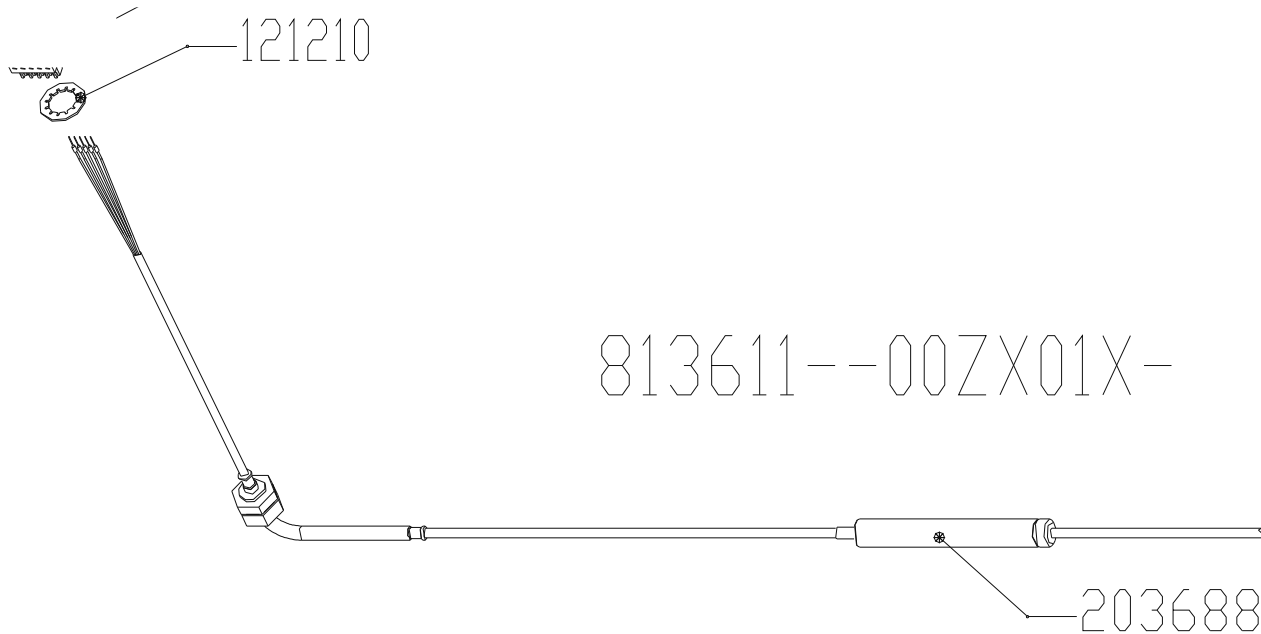
Ab (from) S/N 11212226 (Oktober / October 2011): #202620 → #203679

Gas assembly HD20.2 Silver2



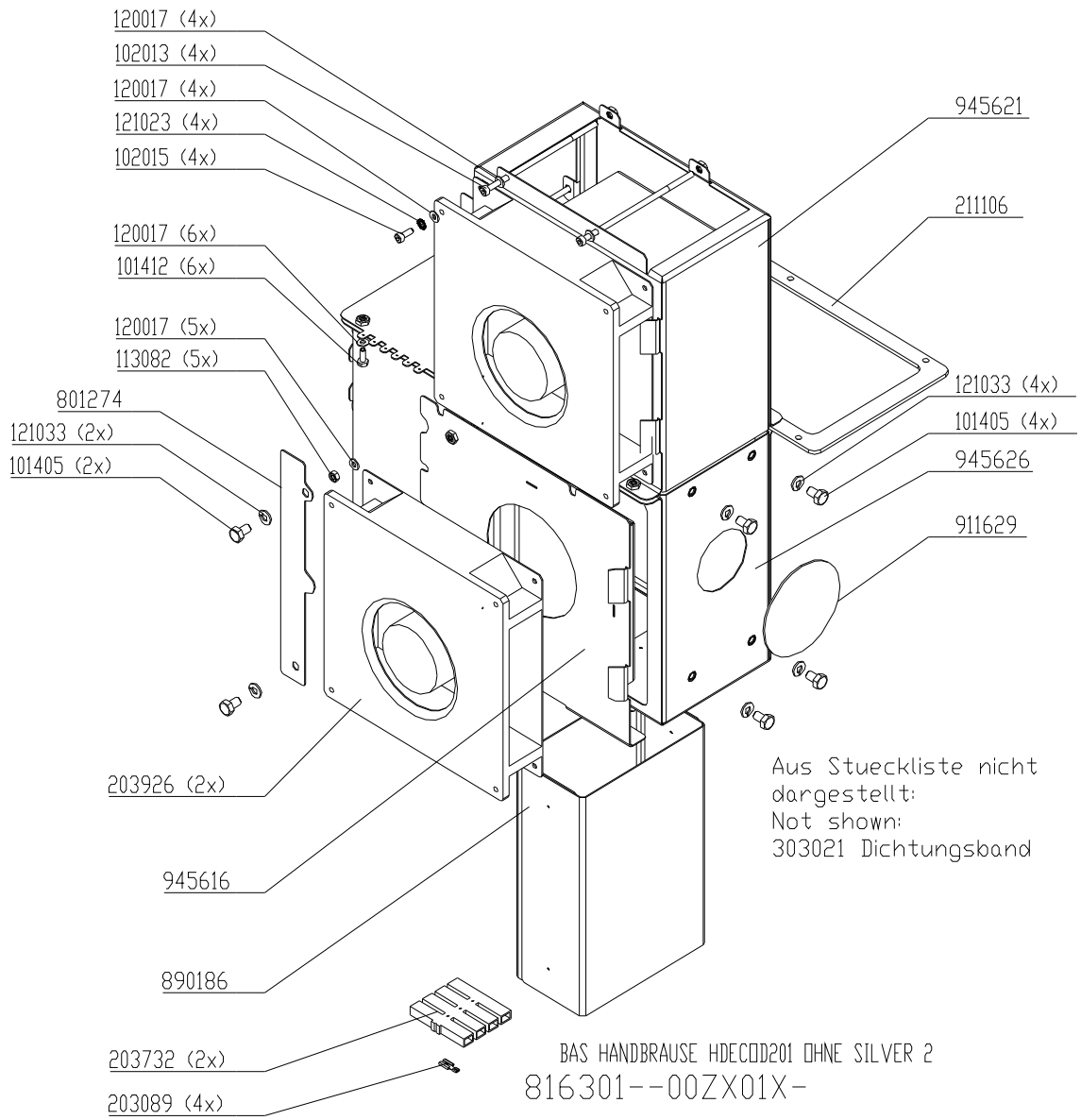
Bis (until) S/N 08022075 (August2008) Transformator (transformer) #203818
Ab (from) S/N 11212226 (Oktober / October 2011): #202620 → #203679

Core temperature probe HD20.x Silver2

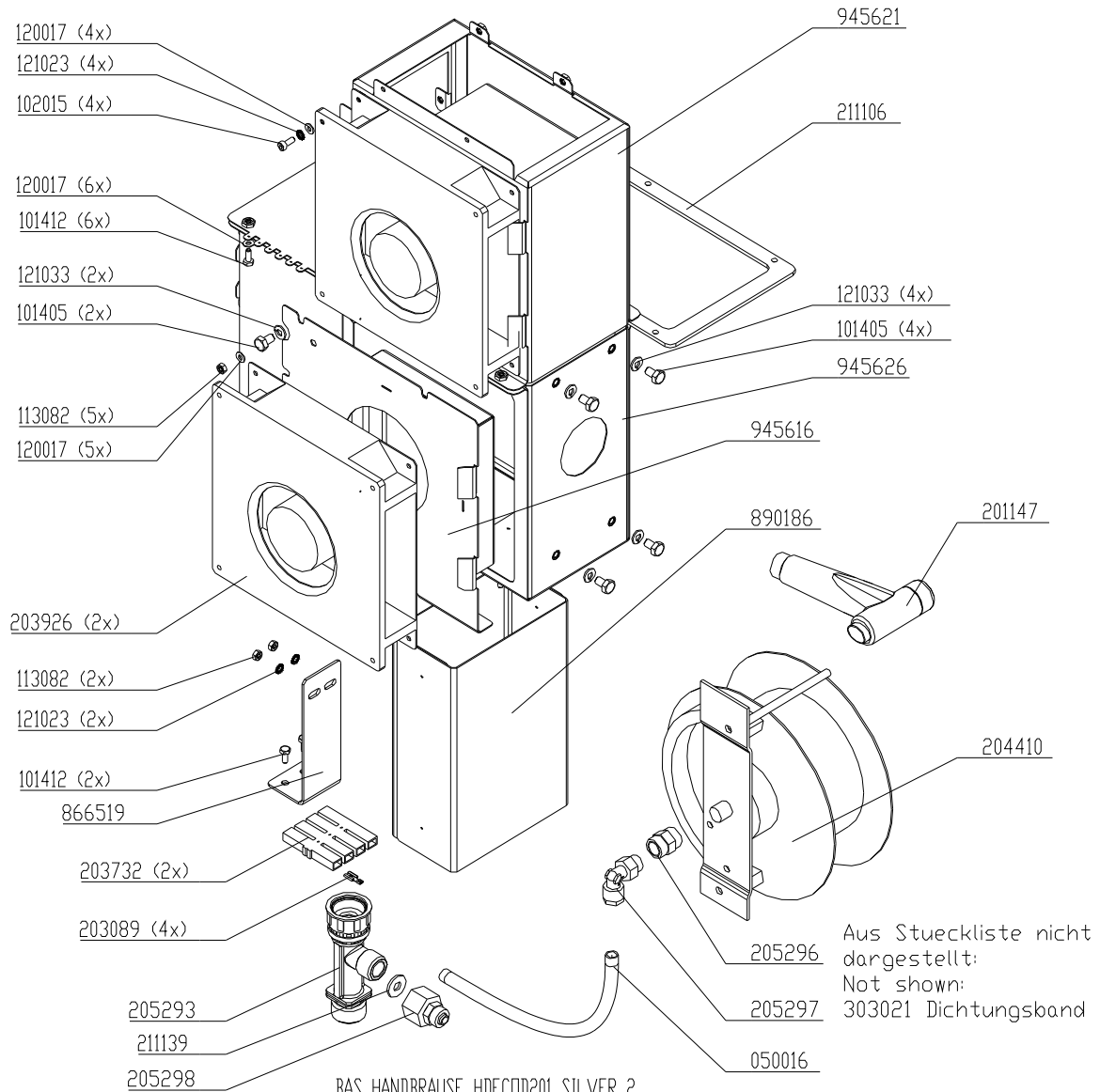


BAS FUEHLER HDECOD201

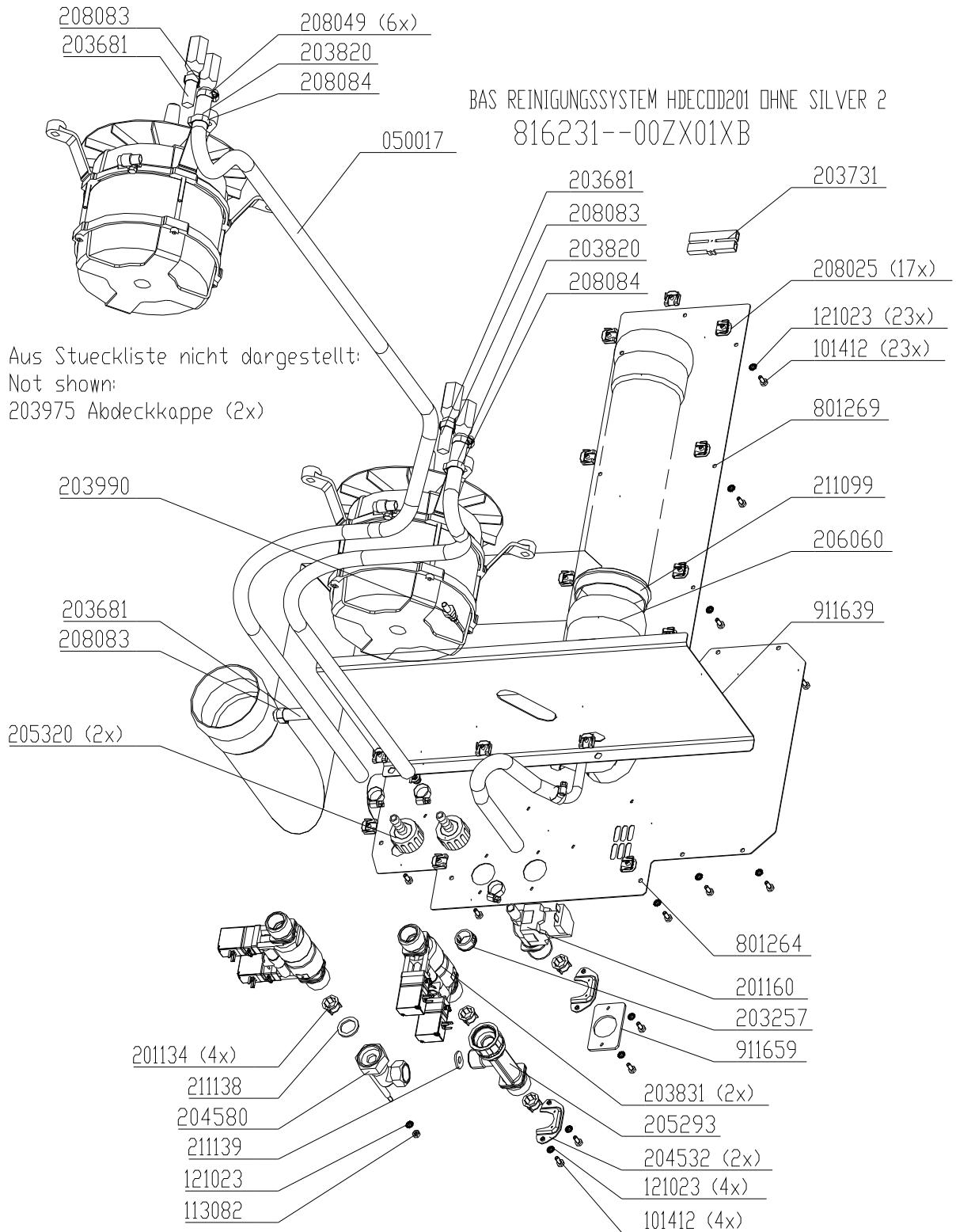
Supply air area 20.x (without hand shower) Silver2



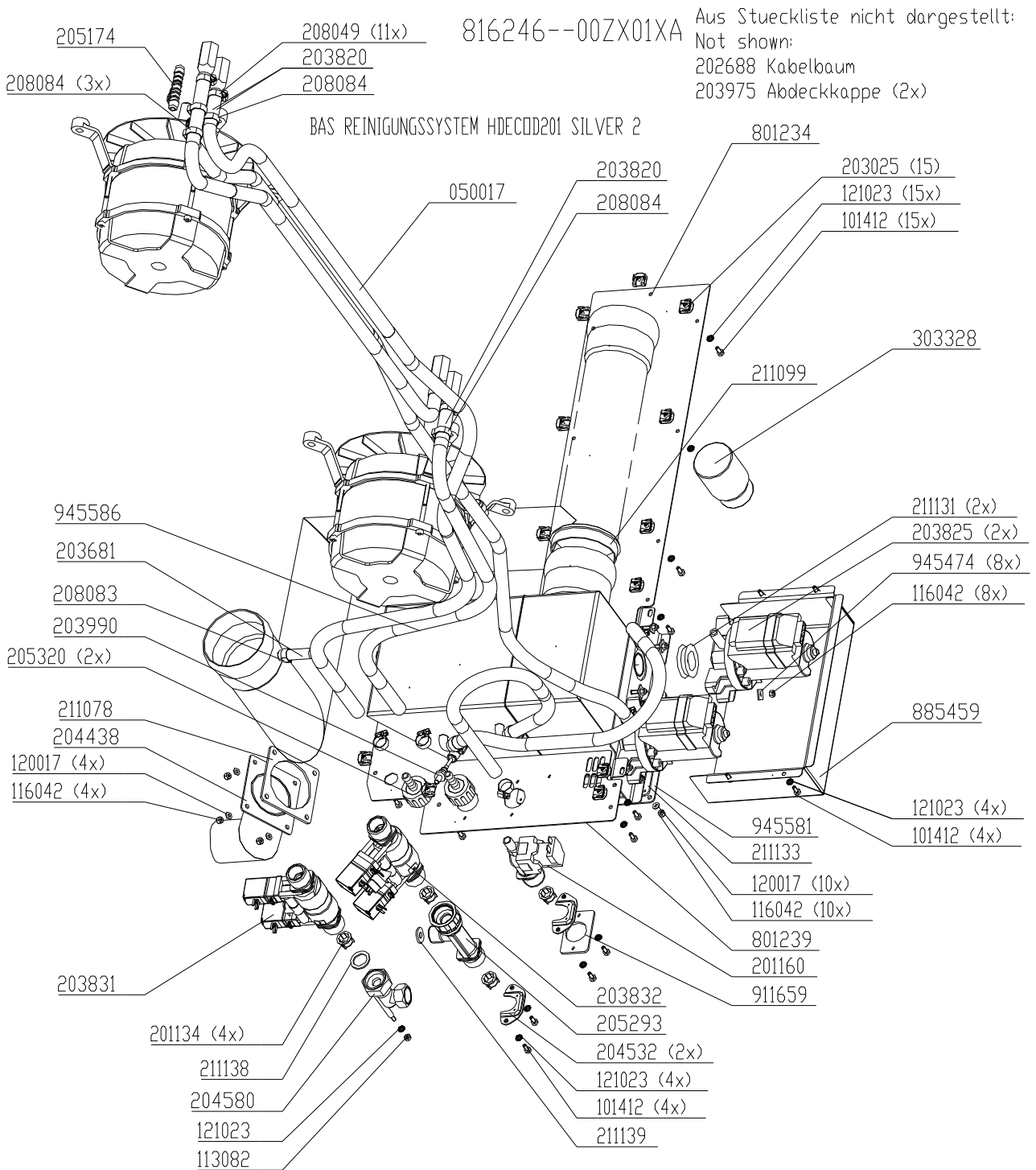
Supply air area 20.x (with hand shower) Silver2



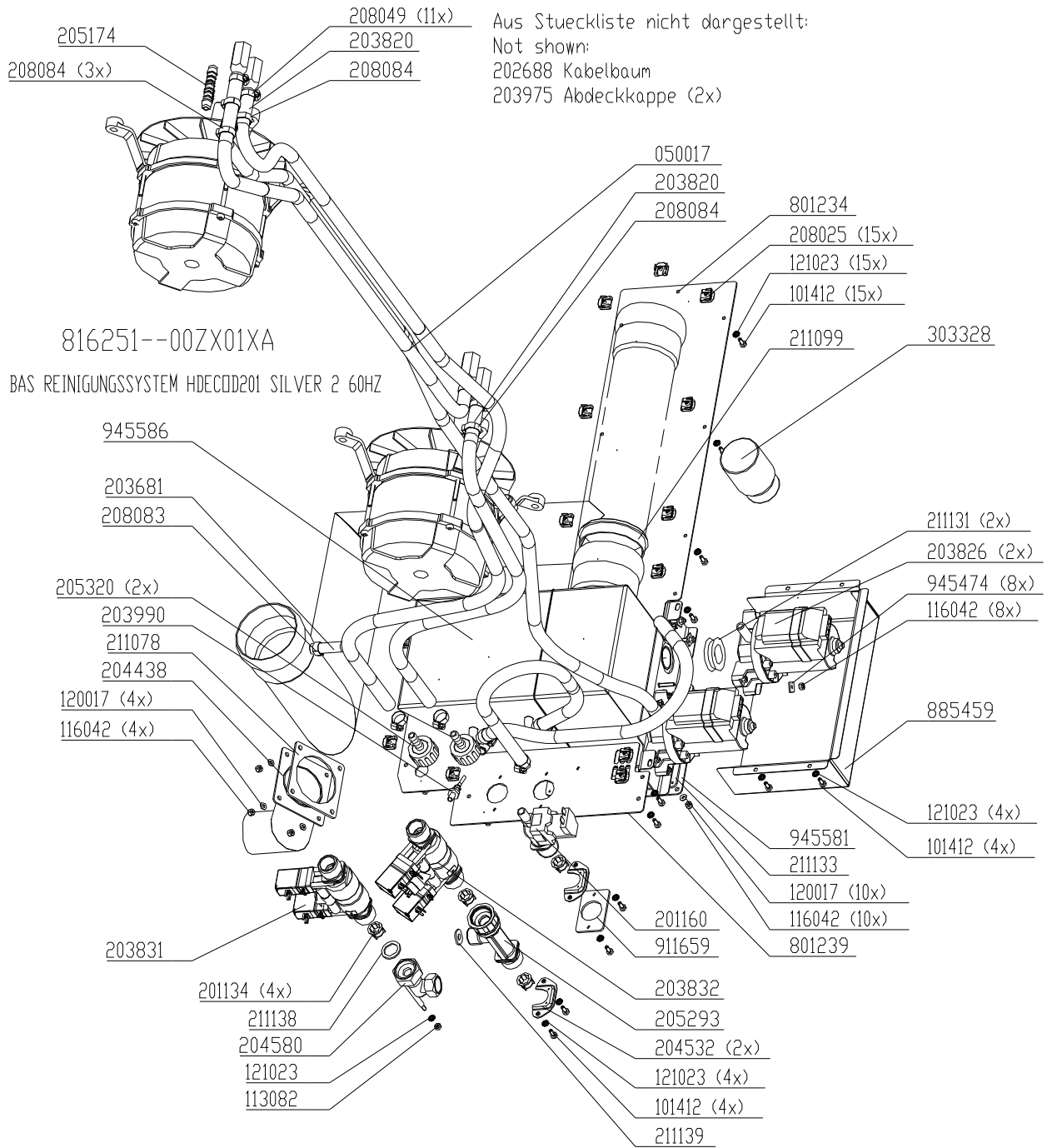
Water assembly without WaveClean HD20.x Silver2



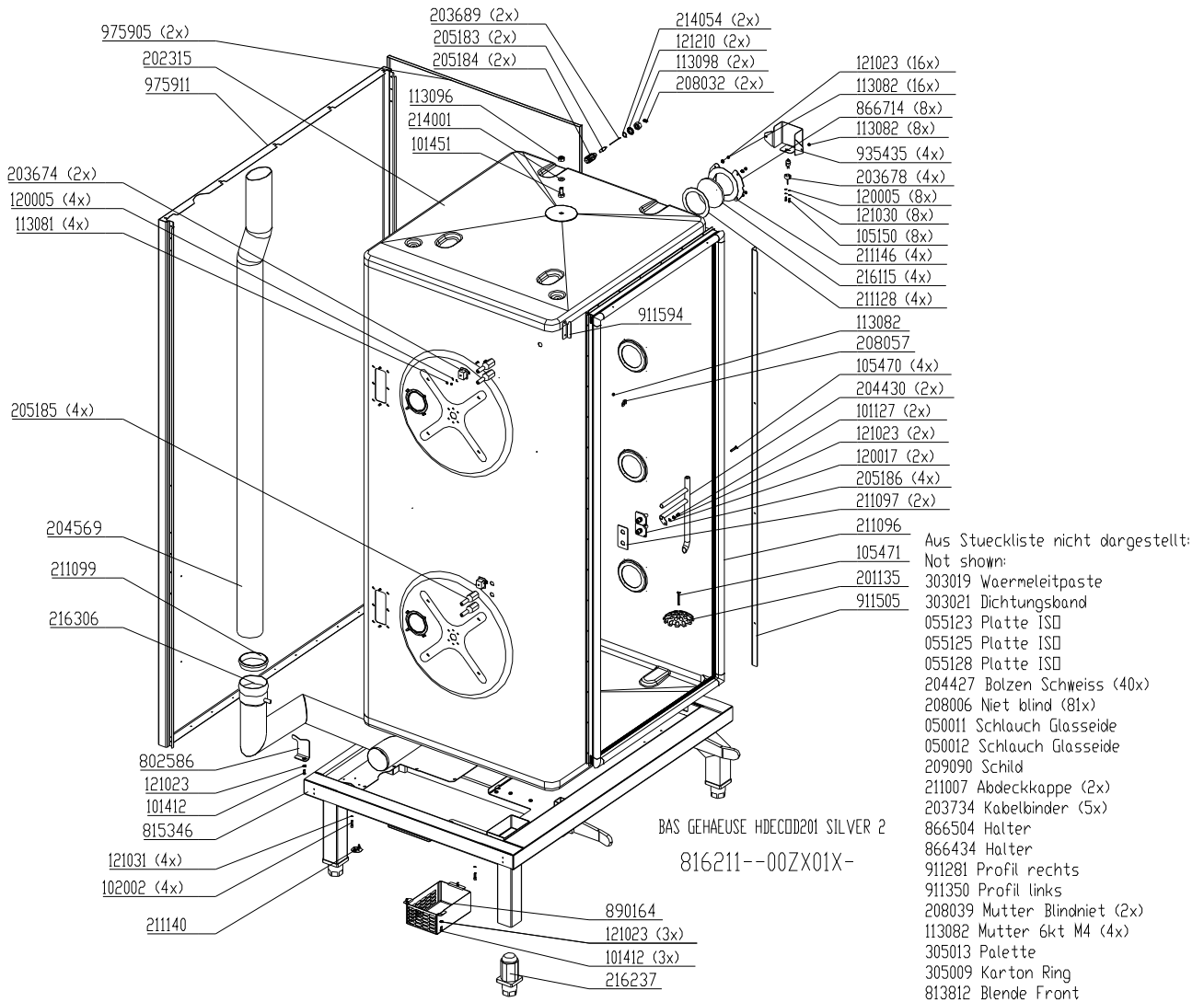
Water assembly with WaveClean 50Hz HD20.x Silver2



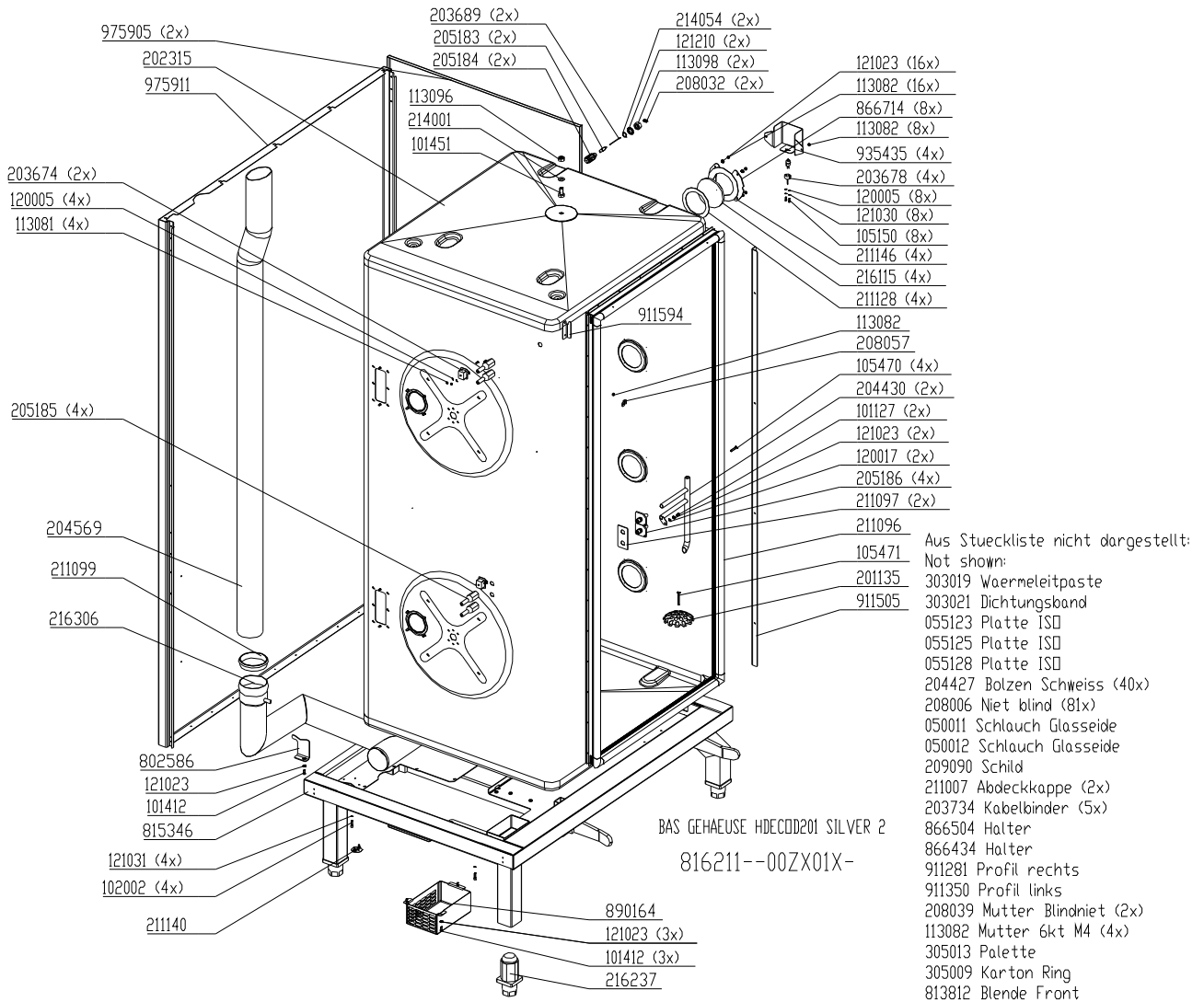
Water assembly with WaveClean 60Hz HD20.x Silver2



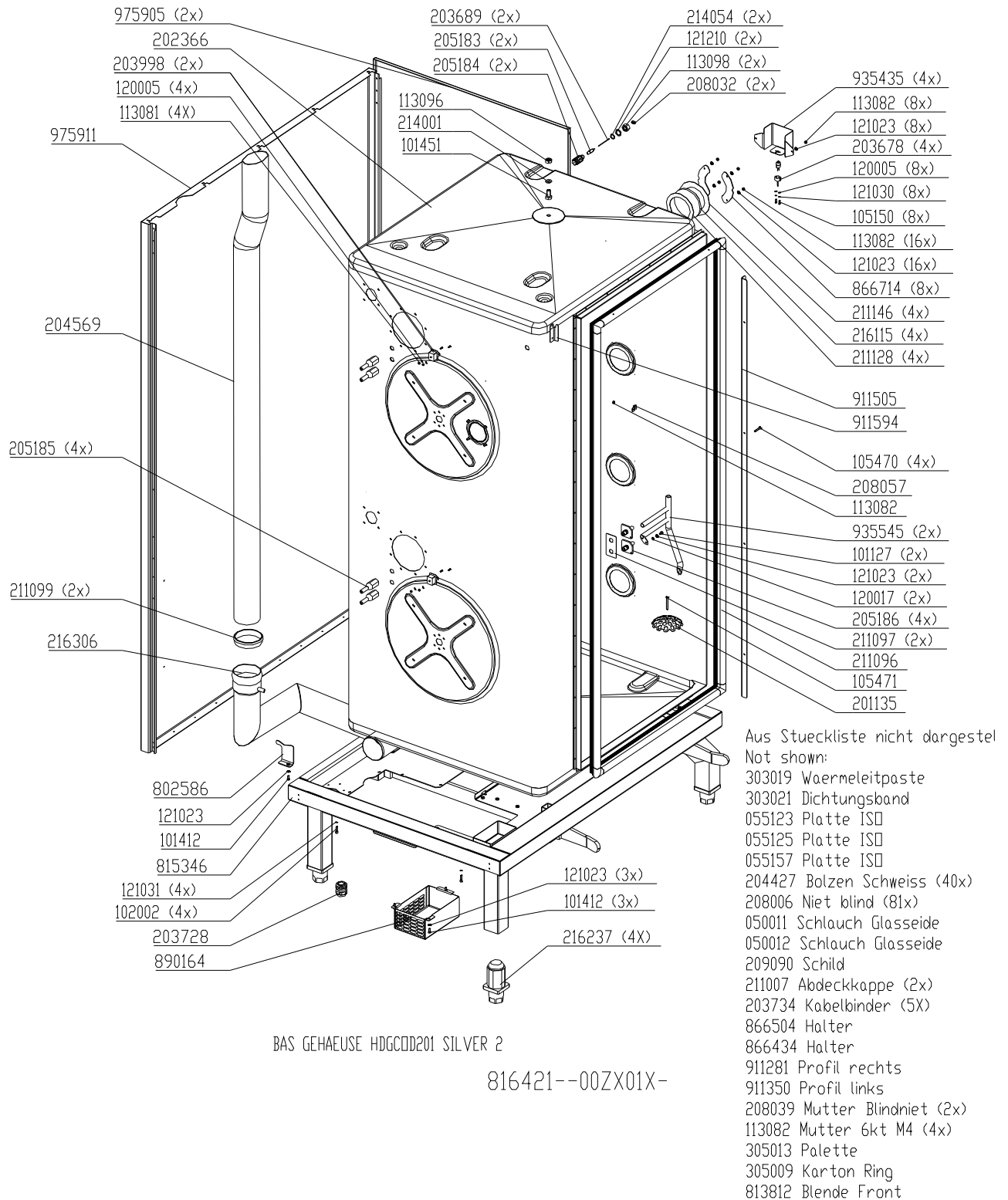
Chassis 20.x Electric Silver2 Valid until S/N 11212249 (October 2011)



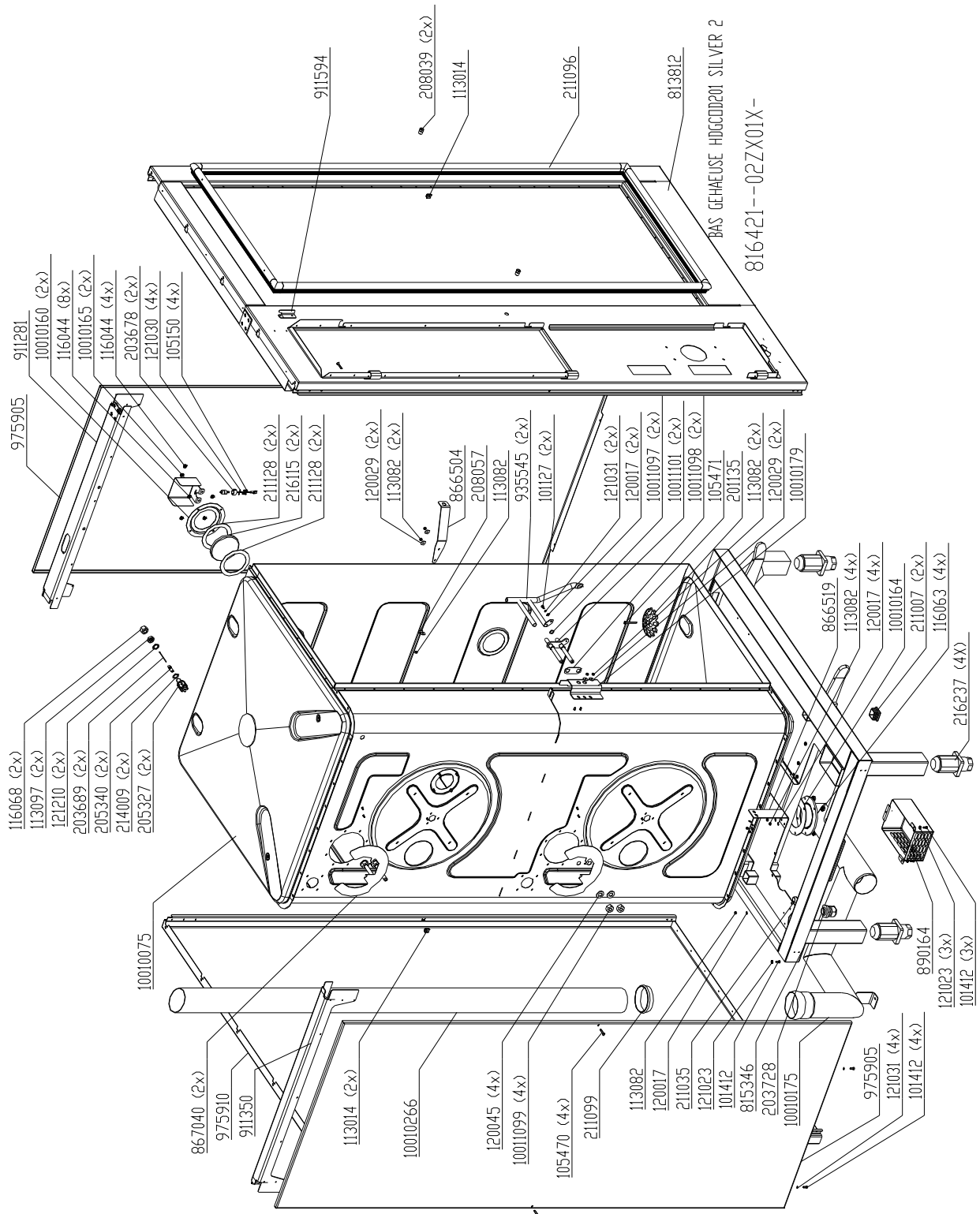
Chassis 20.x Electric Silver2 Valid from S/N 11212250 (October 2011)



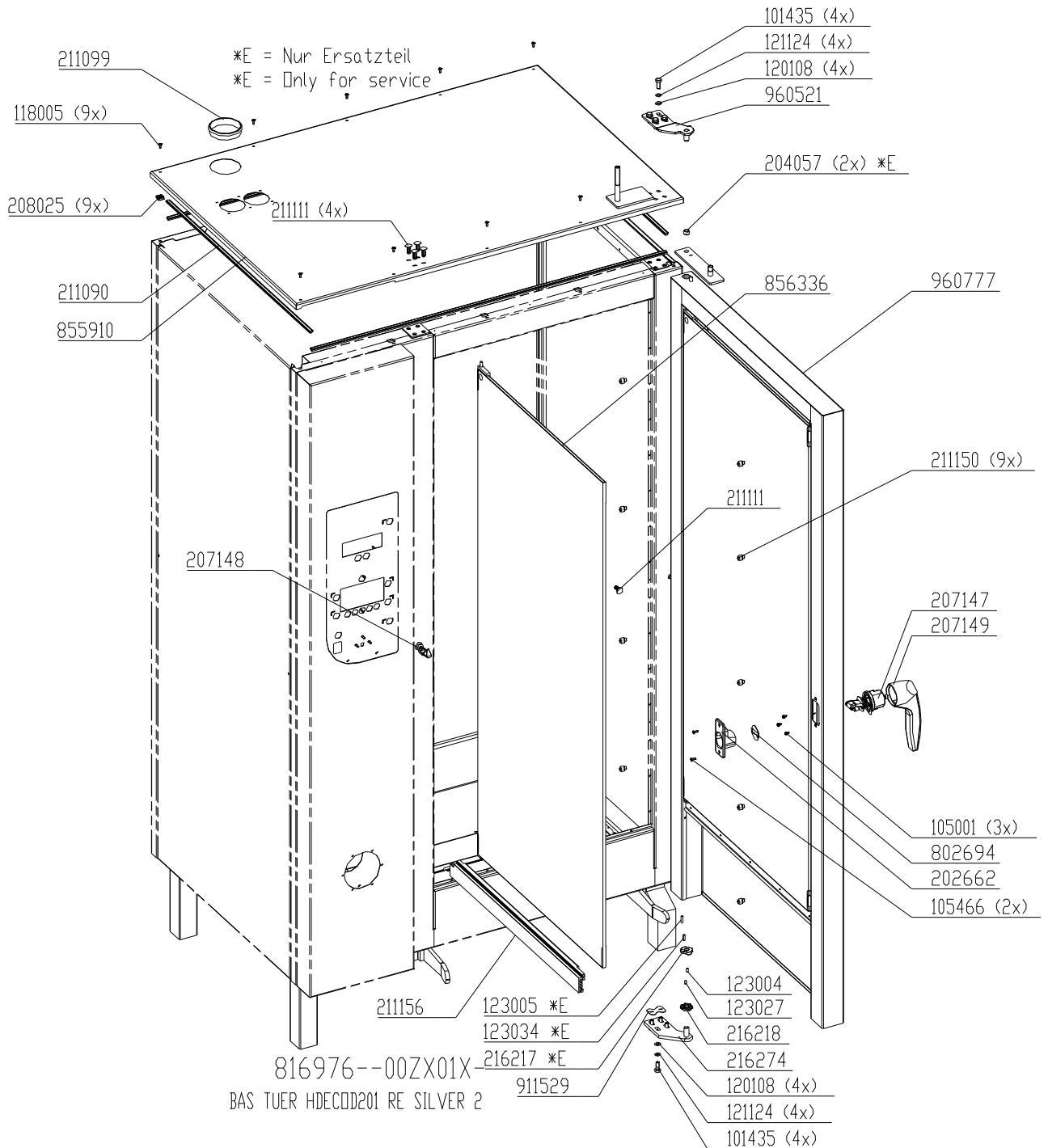
Chassis 20.x Gas Silver2 Valid until S/N 11212225 (October 2011)



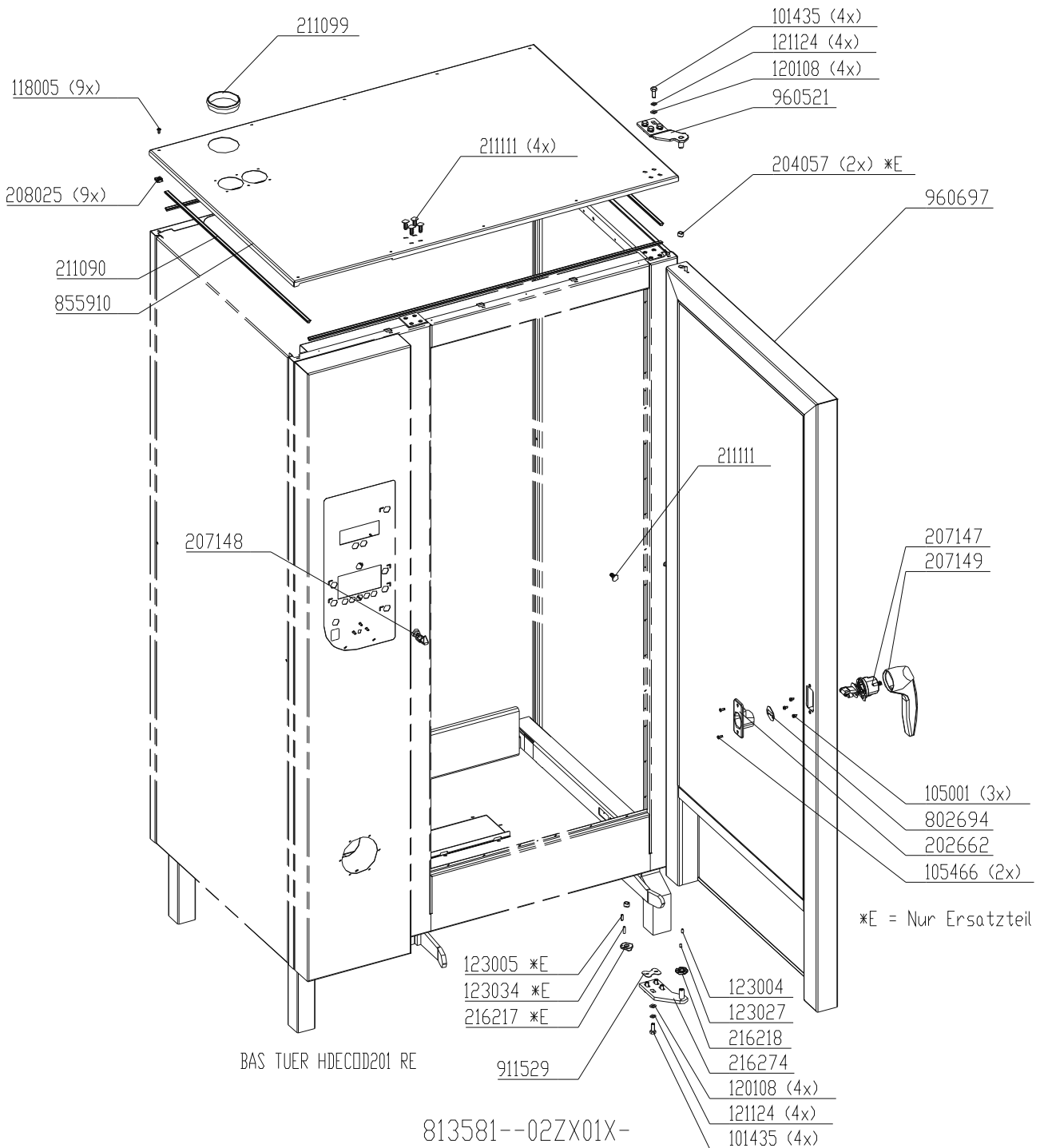
Chassis 20.x Gas Silver2 Valid from S/N 11212226 (October 2011)



Chassis door area HD20.x electric, right hinged (double glazing)

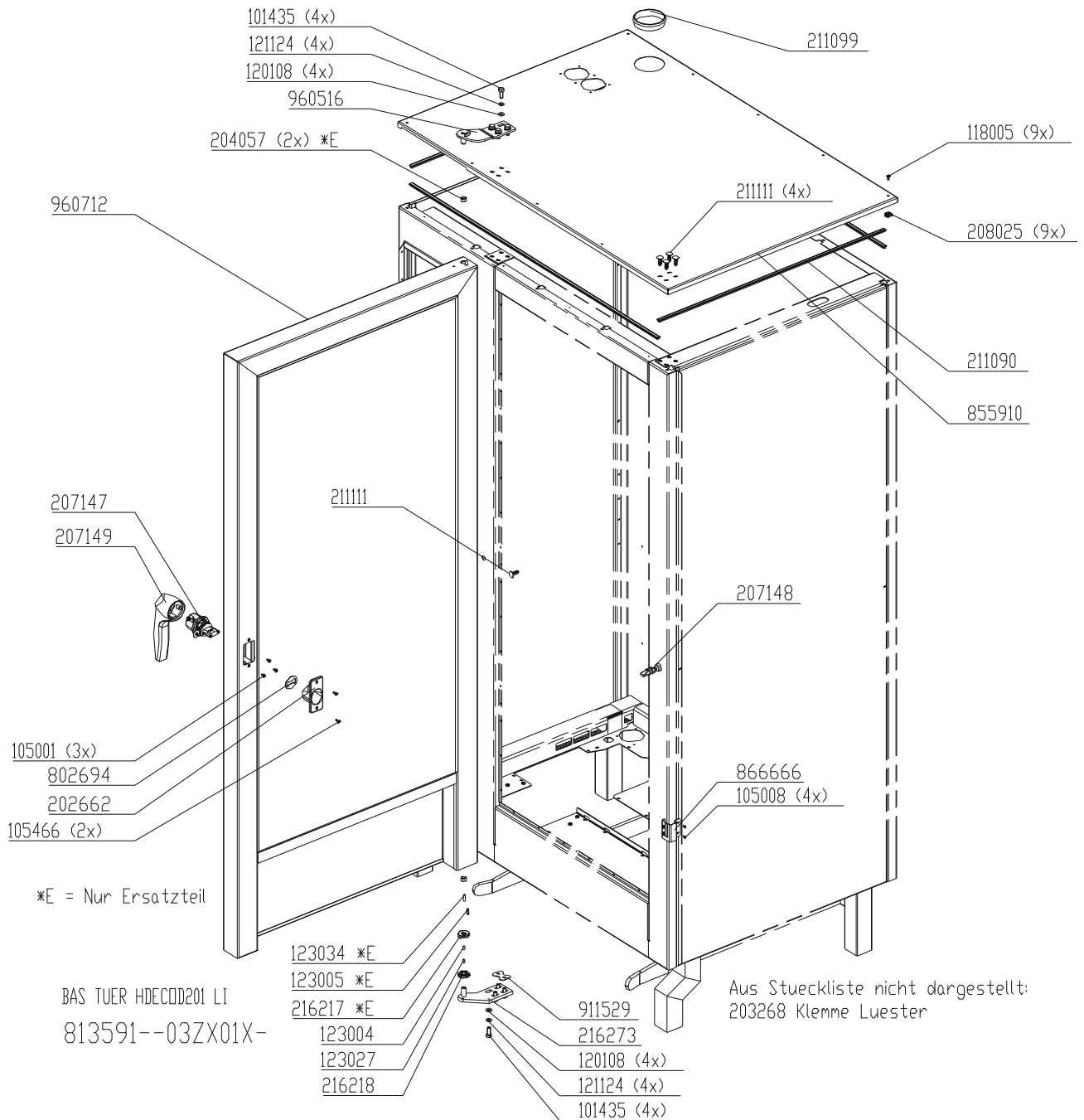


Chassis door area HD20.x, right hand hinged (Electric)



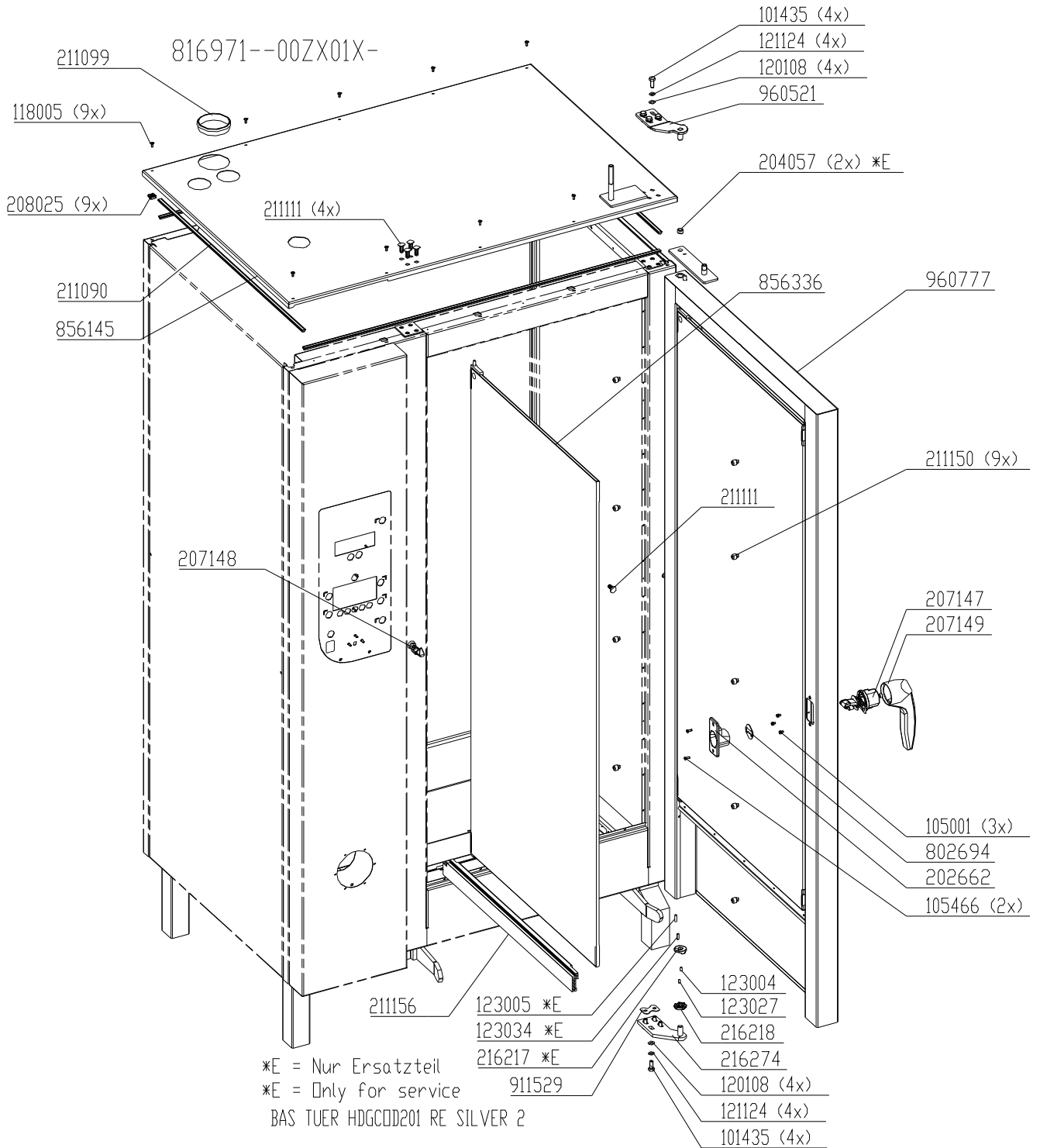
Until S/N 09021515: Profile door gasket #211104 (glued with Pactan)
 From S/N 09021516: Pluggable profile door gasket #211171

Chassis door area HD20.x, left hand hinged (Electric)

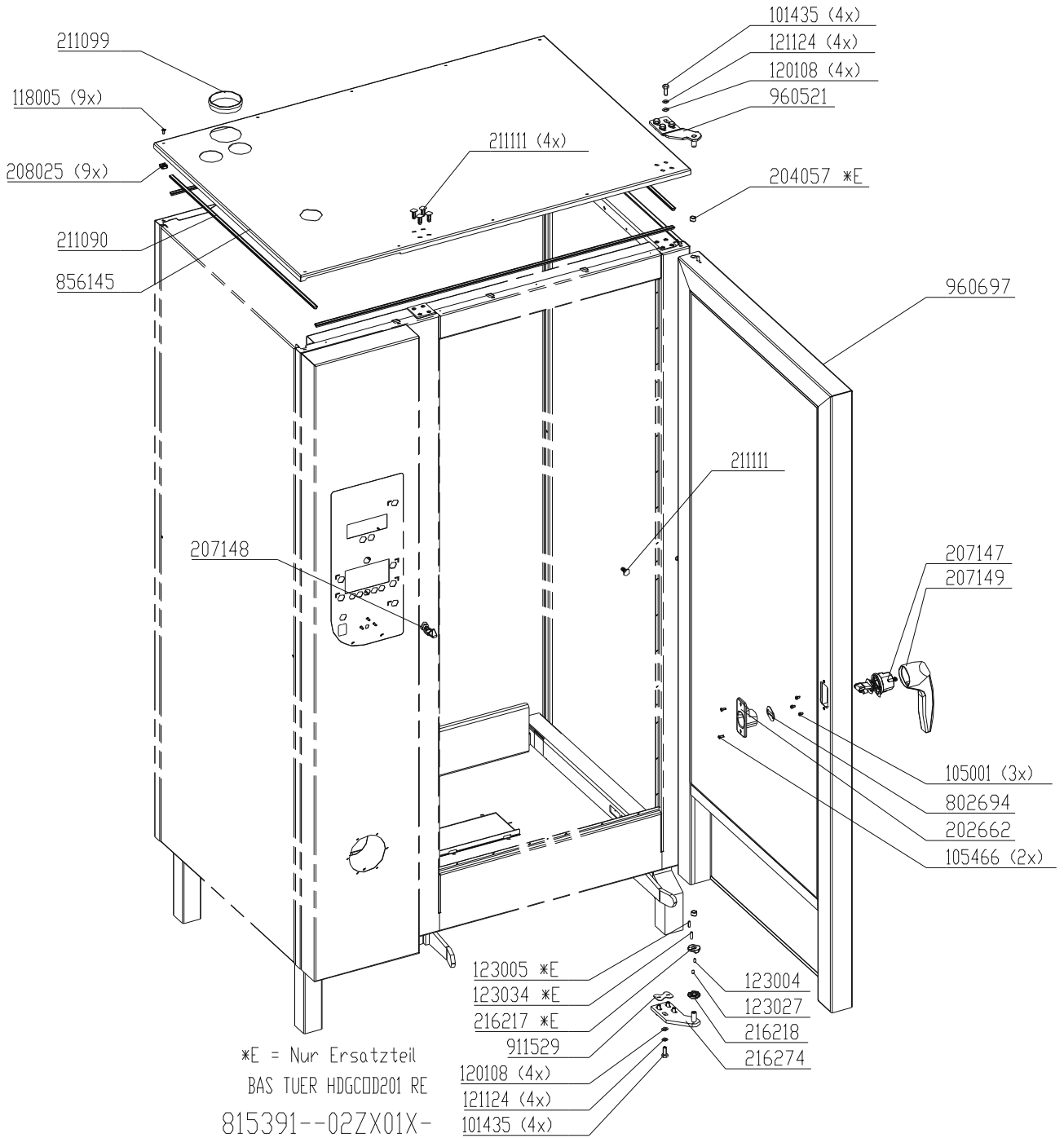


Until S/N 09021515: Profile door gasket #211104 (glued with Pactan)
 From S/N 09021516: Pluggable profile door gasket #211171

Chassis door area HD20.x gas, right hinged (double glazing)

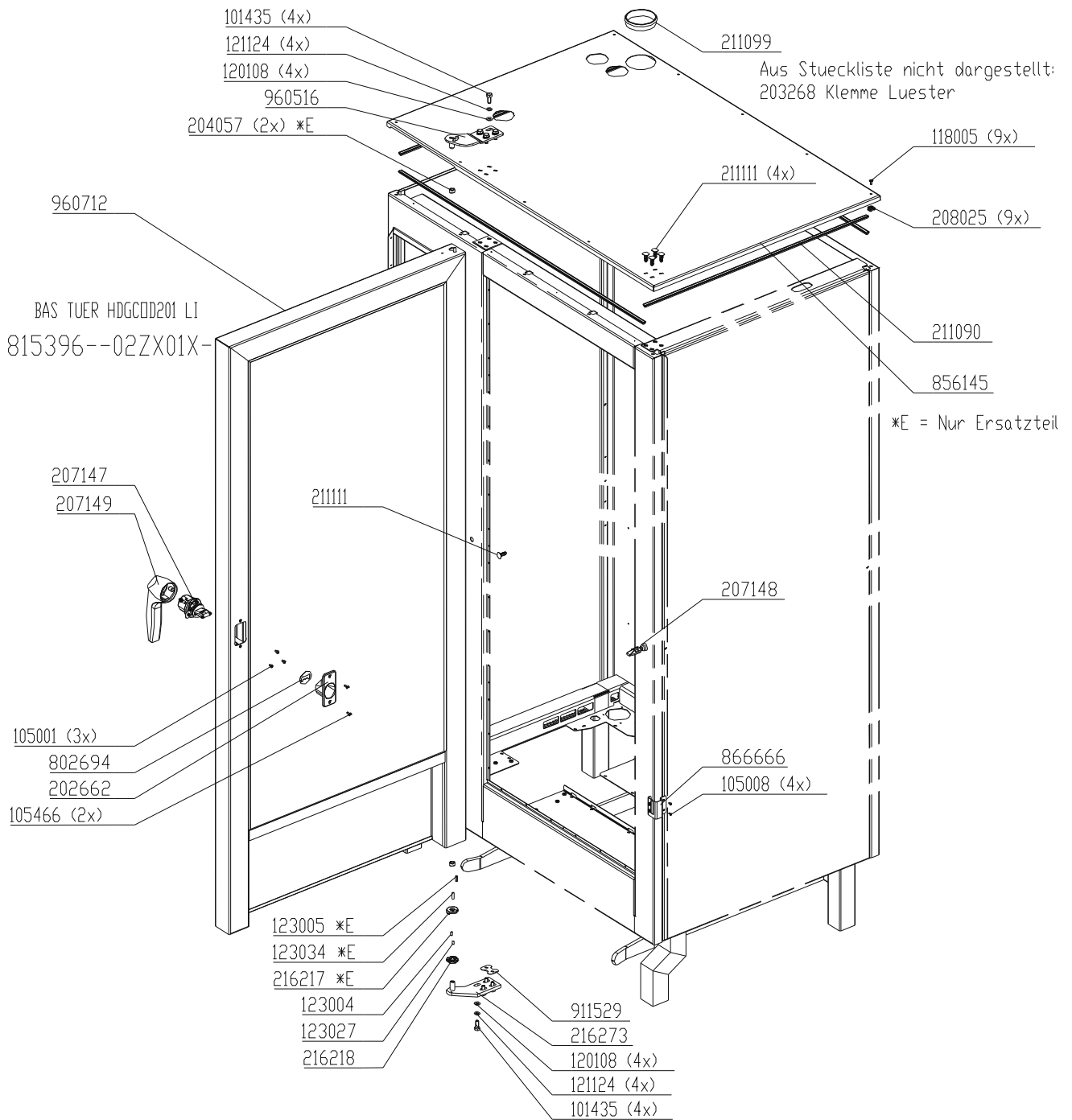


Chassis door area HD20.x, right hand hinged (Gas)



Until S/N 09021515: Profile door gasket #211104 (glued with Pactan)
From S/N 09021516: Pluggable profile door gasket #211171

Chassis door area HD20.x, left hand hinged (Gas)



Until S/N 09021515: Profile door gasket #211104 (glued with Pactan)
 From S/N 09021516: Pluggable profile door gasket #211171



MKN Maschinenfabrik
Kurt Neubauer GmbH & Co
Halberstädter Straße
D-38300 Wolfenbüttel
Telefon 0 53 31/ 89-0
Telefax 0 53 31/ 89-280