

KORBTRANSPORTAUTOMAT
AUTOMATIC BASKET TRANSPORT MACHINES
LAVE-VAISSELLE AUTOMATIQUES A TRANSPORT DE PANIERS



MEIKO - dishwashing machine

K-44E / K-54E / K-64E / K-66E / K-76E /
K-80E / K-86E / K-90E / K-100E

Ersatzteilliste
Spare parts list
Liste de pièces détachées



ERSATZTEILLISTE



SPARE PARTS LIST

LISTE DE PIECES DETACHEES

Typenreihe / Type / Série : **K-44E / K-54E / K-64E**
K-66E / K-76E / K-80E
K-86E / K-90E / K-100E

gültig ab / valid from / valable à partir de: 01 / 2003

*Bei Ersatzteilbestellung sind folgende Angaben erforderlich:
Following information should be stated in your spare parts orders:
Veuillez indiquer s.v.p. les informations suivantes dans vos commandes.*

| | |
|----------------------|-------|
| Kunde/Betreff: | |
| Customer/Ref.: | _____ |
| Client/Objet: | _____ |
| MEIKO-Auftragsnummer | |
| MEIKO-Serial No.: | _____ |
| No. de série MEIKO: | _____ |
| Maschinentype: | |
| Type of machine.: | _____ |
| Type de la machine: | _____ |
| Positions-Nr.: | |
| Item No.: | _____ |
| Repère No.: | _____ |
| Benennung: | |
| Denomination: | _____ |
| Dénomination: | _____ |
| Ersatzteilnummer: | |
| Part No.: | _____ |
| Pièce No.: | _____ |

Bei einigen Teilen sind zusätzliche Angaben nötig. Diese Teile sind in der Ersatzteilliste mit einem entsprechenden Hinweis versehen.

Some parts require more detailed information, these parts are especially stated in our list.

Il faut donner des informations supplémentaires pour quelques pièces. Nous les avons munies de remarques spéciales.

Kennzeichnung der Ersatzteile:

* / V Diese Teile empfehlen wir auf Lager zu legen!
V Verschleißteil!

Special marks of spares:

We recommend to store these parts!
Wear and tare part!

Marquage special des pieces:

Nous recommandons de prendre ces pièces en stock!
Pièce d'usure!

ERSATZTEILLISTE



SPARE PARTS LIST

LISTE DE PIECES DETACHEES

Aufschlüsselung des Anhanges zur Ident Nr:

- 01 = Arbeitsrichtung Links-Rechts
- 02 = Arbeitsrichtung Rechts-Links
- 03 = Ausführung Links
- 04 = Ausführung Rechts
- L-R = Arbeitsrichtung Links-Rechts
- R-L = Arbeitsrichtung Rechts-Links

Details of the enclosure:

- 01 = working direction left-right
- 02 = working direction right-left
- 03 = execution left
- 04 = execution right
- L-R = working direction left-right
- R-L = working direction right-left

Détails de l'annexe du numéro d'identification:

- 01 = sens de travail gauche-droite
- 02 = sens de travail droite-gauche
- 03 = exécution gauche
- 04 = exécution droite
- L-R = sens de travail gauche-droite
- R-L = sens de travail droite-gauche

ERSATZTEILLISTE



SPARE PARTS LIST

LISTE DE PIECES DETACHEES

| INHALTSVERZEICHNIS | CONTENTS | SOMMAIRE | SEITE PAGE |
|--------------------------------|--------------------------------|---|-----------------------|
| PW 22 (VORWASCHZONE 22") | PW 22 (PREWASH-SECTION 22") | PW 22 (ZONE DE PRELAVAGE 22") | 9 |
| PW 36 (VORWASCHZONE 36") | PW 36 (PREWASH-SECTION 36") | PW 36 (ZONE DE PRELAVAGE 36") | 10 |
| K 44 (HAUPTWASCHZONE 31,5") | K 44 (MAIN WASH ZONE 31,5") | K 44 (ZONE DE LAVAGE PRINCIPALE 31,5") | 11 |
| K 54 (HAUPTWASCHZONE 41,5") | K 54 (MAIN WASH ZONE 41,5") | K 54 (ZONE DE LAVAGE PRINCIPALE 41,5") | 12 |
| K 64 (HAUPTWASCHZONE 51,5") | K 64 (MAIN WASH ZONE 51,5") | K 64 (ZONE DE LAVAGE PRINCIPALE 51,5") | 13 |
| (KLARSPÜLZONE 14,5") | (FINAL RINSE ZONE 14,5") | (ZONE DE RINÇAGE 14,5") | 15 |

| INHALTSVERZEICHNIS | | CONTENTS | SOMMAIRE | SEITE PAGE |
|---------------------------|--|---|---|-----------------------|
| 1.0 | KORBTRANSPORT | BASKET TRANSPORT | TRANSPORT DE CASIERS | |
| 1.1 | KORBTRANSPORT | BASKET TRANSPORT | TRANSPORT DE CASIERS | 16 |
| 1.2 | TANSPORTSCHLITTEN | TRANSPORT RAIL | RAIL DE TRANSPORT | 18 |
| 2.0 | VORHANG | CURTAIN | RIDEAU | |
| 2.8 | VORHANG SPRITZSCHUTZTUNNEL EINLAUF | CURTAIN OF SPLASH PROTECTION TUNNEL FOR FEEDING ZONE | RIDEAU DE TUNNEL ANTI- ECLABOUSSURE A LA ZONE D'ENTREE | 20 |
| 2.9 | VORHANG VORWASCHZONE / HAUPTWASCHZONE | CURTAIN PREWASH-SECTION / MAIN WASH ZONE | RIDEAU ZONE DE PRELAVAGE / ZONE DE LAVAGE PRINCIPALE | 21 |
| 2.10 | VORHANG SPRITZSCHUTZTUNNEL EINLAUF | CURTAIN OF SPLASH PROTECTION TUNNEL FOR DISCHARGE ZONE | RIDEAU DE TUNNEL ANTI- ECLABOUSSURE A LA ZONE DE SORTIE | 23 |
| 3.0 | WASCHSYSTEM | WASH SYSTEM | SYSTEME DE LAVAGE | |
| 3.3.1 | WASCHSYSTEM PW 22 | WASH SYSTEM PW 22 | SYSTEME DE LAVAGE-PW22 | 24 |
| 3.4.2 | HWZ - WASCHSYSTEM | HWZ - WASH SYSTEM | SYSTEME DE LAVAGE - HWZ | 26 |
| 3.7 | FRISCHWASSERKLARSPÜLUNG | FRESH WATER FINAL RINSE | RINCAGE FINAL A L'EAU CLAIRE | 28 |
| 4.0 | TANKABDECKSIEB | TANK COVERING SIEVE | TAMIS DE RECOUVEREMENT DE BAC | |
| 4.7.1 | TANKABDECKSIEB (K44 / K54) | TANK COVERING SIEVE (K44 / K54) | TAMIS DE RECOUVR. DE BAC (K44 / K54) | 29 |
| 4.8.1 | TANKABDECKSIEB (K64) | TANK COVERING SIEVE (K64) | TAMIS DE RECOUVR. DE BAC (K64) | 30 |
| 4.9.1 | TANKABDECKSIEB (PW22) | TANK COVERING SIEVE (PW22) | TAMIS DE RECOUVR. DE BAC (PW22) | 31 |
| 4.10.1 | TANKABDECKSIEB (PW36) | TANK COVERING SIEVE (PW36) | TAMIS DE RECOUVR. DE BAC (PW36) | 32 |
| 5.0 | TANKABLAUF | DRAIN | VIDANGE | |
| 5.6.1 | TANKABLAUF | DRAIN | VIDANGE | 33 |
| 6.0 | WASCHPUMPE | WASH PUMP | POMPE DE LAVAGE | |
| 6.7 | WASCHPUMPE 2,2KW CRNI, 60 HZ | WASH PUMP 2,2KW CRNI, 60 HZ | POMPE DE LAVAGE 2,2KW CRNI, 60 HZ | 34 |
| 6.8 | WASCHPUMPE 0,55KW / 60 HZ (PW 22) | WASH PUMP 0,55KW / 60 HZ (PW22) | POMPE DE LAVAGE 0,55KW 60 HZ (PW22) | 36 |
| 8.0 | TÜR | DOOR | PORTE | |
| 8.4 | TÜR K44 (788) | DOOR K44 (788) | PORTE K44 (788) | 38 |
| 8.5 | TÜR K54 (1042) | DOOR K54 (1042) | PORTE K54 (1042) | 40 |
| 8.6 | TÜR K64 (1296) | DOOR K64 (1296) | PORTE K64 (1296) | 42 |
| 8.7 | TÜR PW22 (546,8) | DOOR PW22 (546,8) | PORTE PW22 (546,8) | 44 |
| 8.8 | TÜR PW36 (902,4) | DOOR PW36 (902,4) | PORTE PW36 (902,4) | 46 |

ERSATZTEILLISTE



SPARE PARTS LIST

LISTE DE PIECES DETACHEES

| | INHALTSVERZEICHNIS | CONTENTS | SOMMAIRE | SEITE PAGE |
|-------------|---|---|---|-----------------------|
| 9.0 | FRISCHWASSERINSTALLATION | FRESH WATER INSTALLATION | INSTALLATION A EAU CLAIRE | |
| 9.2 | FILTER | FILTER | FILTRE | 48 |
| 9.7 | NETZMITTELMISCHBEHÄLTER | RINSE-AID MIXING CHAMBER | RESERVOIR DE MELANGE DE PRODUIT DE RINCAGE | 49 |
| 9.11 | MAGNETVENTIL | SOLENOID VALVE | ELECTROVANNE | 50 |
| 9.12 | ROHRBELÜFTER | DISCONNECTER | AERATEUR | 51 |
| 9.13.1 | THERMOMETER / MANOMETER | THERMOMETER / MANOMETER | THERMOMETRE / MANOMETRE | 53 |
| 9.14 | ZENTRALE ABLAUFVERROHRUNG | CENTRALDRAIN PIPNG | CONNEXIONCENTRALE DE VIDANG | 54 |
| 10.0 | HEIZUNG | HEATING | CHAUFFAGE | |
| 10.3 | TANKHEIZUNG ELEKTRISCH (HIGH LIMIT SWITCH) | TANK HEATING ELEMENT ELECTR. (HIGH LIMIT SWITCH) | RESISTANCE DU BAC ELECTR. (HIGH LIMIT SWITCH) | 56 |
| 10.4 | TANKHEIZUNG ELEKTRISCH (TANK THERMOSTAT) | TANK HEATING ELEMENT ELECTR. (TANK THERMOSTAT) | RESISTANCE DU BAC ELECTR. (TANK THERMOSTAT) | 58 |
| 11.0 | TAKTSCHALTER | INTERVAL SWITCH | INT. DE SYNCHRONISATION | |
| 11.1 | TAKTSCHALTER NACHSPÜLZONE (K44 / K54 / K 64) | INTERVAL SWITCH FINAL RINSE SECTION (K44 / K54 / K 64) | INTERRUPTEUR DE SYNCHRONISATION ZONE DE RINCAGE (K44 / K54 / K 64) | 59 |
| 11.2 | TAKTSCHALTER HAUPTWASCHZONE (K44 / K54) | INTERVAL SWITCH MAIN WASH ZONE (K44 / K54) | INTERRUPTEUR DE SYNCHRONISATION ZONE DE LAVAGE PRINCIPALE (K44 / K54) | 60 |
| 11.3 | TAKTSCHALTER HAUPTWASCHZONE (K64) | INTERVAL SWITCH MAIN WASH ZONE (K64) | INTERRUPTEUR DE SYNCHRONISATION ZONE DE LAVAGE PRINCIPALE (K64) | 61 |
| 11.4 | TAKTSCHALTER (PW22 / PW36) | INTERVAL SWITCH PRE- WASH SECTION (PW22 / PW36) | INTERRUPTEUR DE SYNCHRONISATION (PW22 / PW36) | 62 |
| 15.0 | ZUBEHÖR | ACCESSORIES | ACCESSOIRES | |
| 15.1.2 | MASCHINENSTOLLEN | FEET OF MACHINE | PIEDS DE MACHINE | 63 |
| 15.2.7 | SCHWIMMERSCHALTER | FLOATING SWITCH | FLOTTEUR P. NIVEAU DE BAC | 65 |
| 16.1 | KURVE 90° | CURVE 90° | COURBE 90° | 66 |
| 16.3 | TISCHENDSCHALTER | TABLE END SWITCH | INTERRUPTEUR FIN DE COURSE | 68 |
| 17.1 | ELEKTRO-ERSATZTEILE | ELECTRIC SPARE PARTS | COMPOSANTS ELECTRIQUES | 70 |

ERSATZTEILLISTE

SPARE PARTS LIST



LISTE DE PIECES DETACHEES

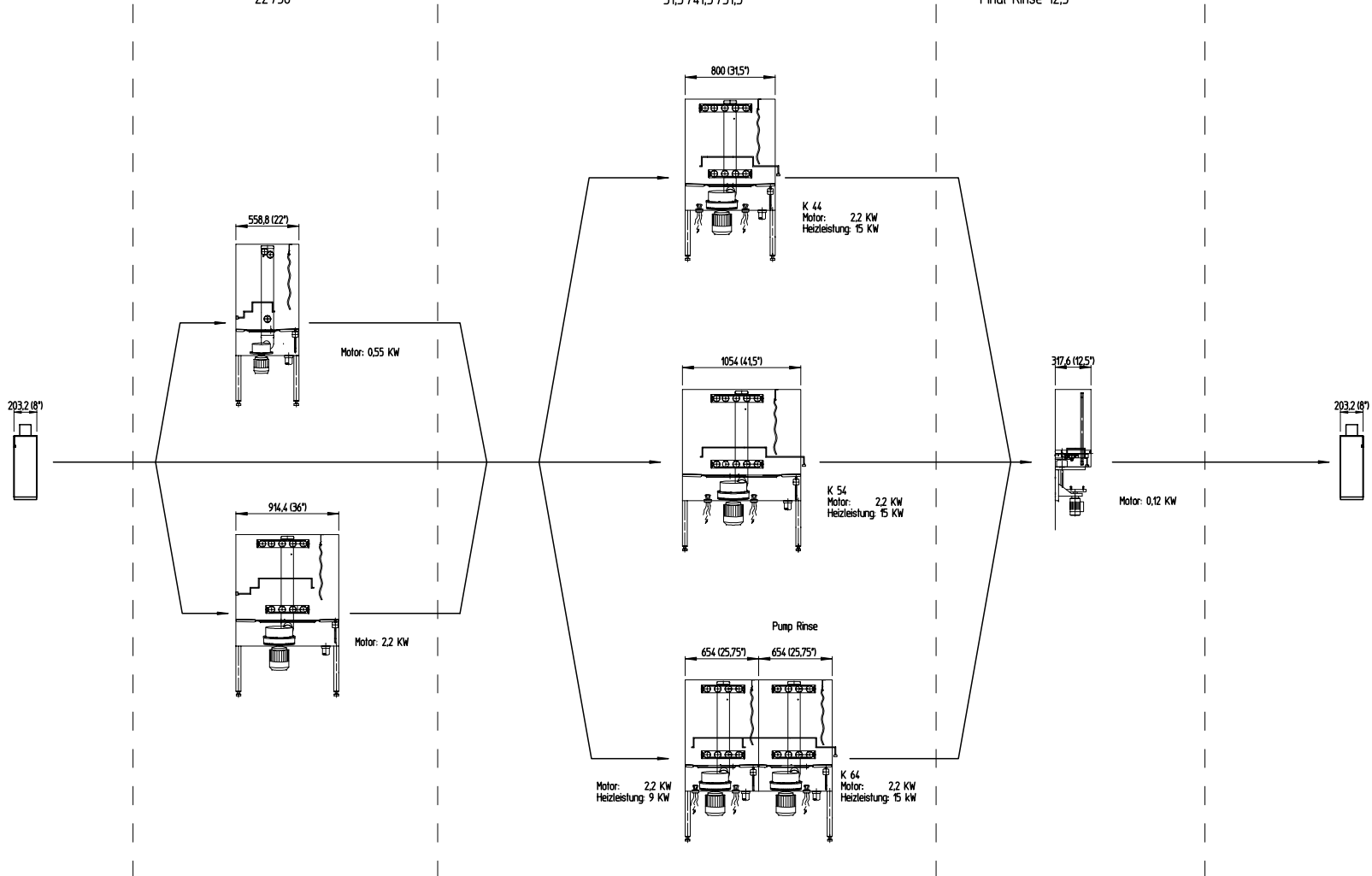
Spritzschutztunnel 8'
Hood

Vorwaschzone
Prewash
22'/36"

Hauptwaschzone
Wash tank
31,5'/41,5'/51,5"

Klarspülzone mit integrierter
Transporteinheit
Final Rinse 12,5'

Spritzschutztunnel 8'
Hood

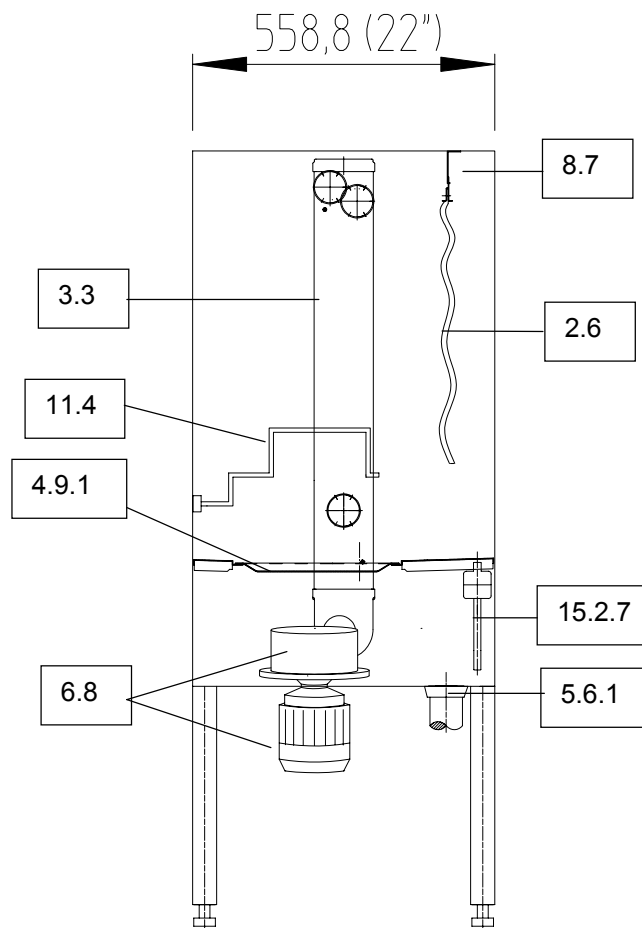


VORWASCHZONE PW22“



PREWASH-SECTION PW22”

ZONE DE PRELAVAGE PW22”



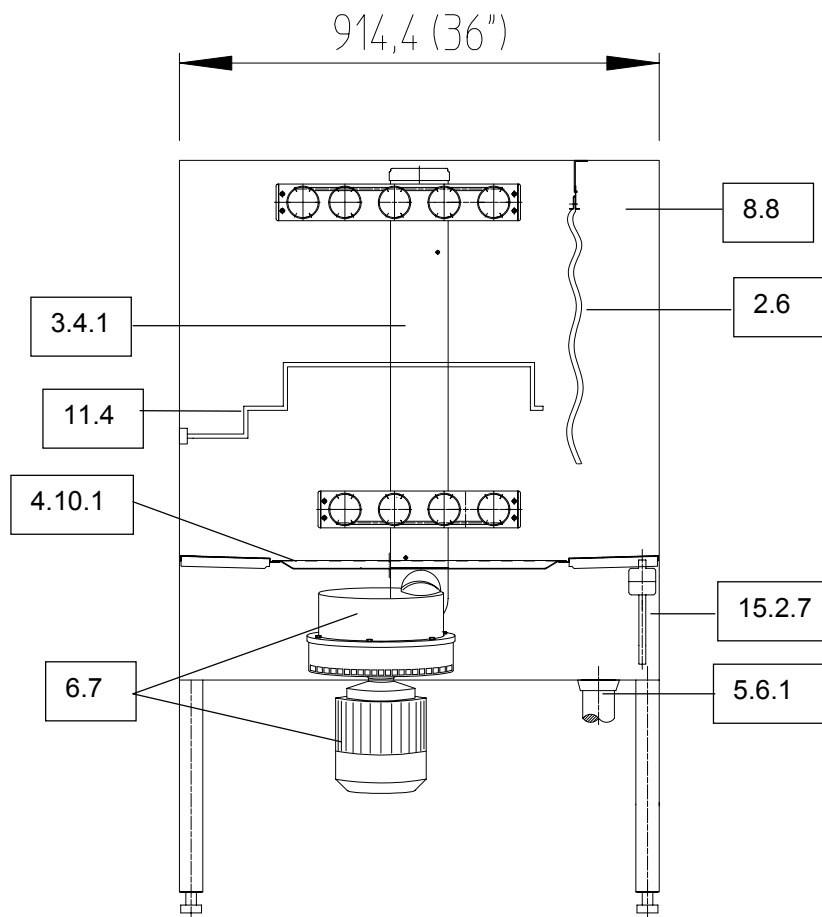
| | | | |
|--------|-------------------|------------------------------|---------------------------------|
| 2.6 | VORHANG 510X360 | CURTAIN 20 5/64" X 14 11/64" | RIDEAU 510X360 |
| 3.3 | WASCHSYSTEM-V | WASH SYSTEM-V | SYSTEME DE LAVAGE-V |
| 4.9.1 | SIEB | SIEVE | TAMIS |
| 5.6.1 | ABLAUF | DRAIN | VIDANGE |
| 6.8 | WASCHPUMPE | WASH PUMP | POMPE DE LAVAGE |
| 8.7 | TÜR | DOOR | PORTE |
| 11.4 | TAKTSCHALTER | INTERVAL SWITCH | INTERRUPTEUR DE SYNCHRONISATION |
| 15.2.7 | SCHWIMMERSCHALTER | FLOATING SWITCH | FLOTTEUR POUR NIVEAU DE BAC |

VORWASCHZONE PW36“



PREWASH SECTION PW36”

ZONE DE PRELAVAGE PW36”

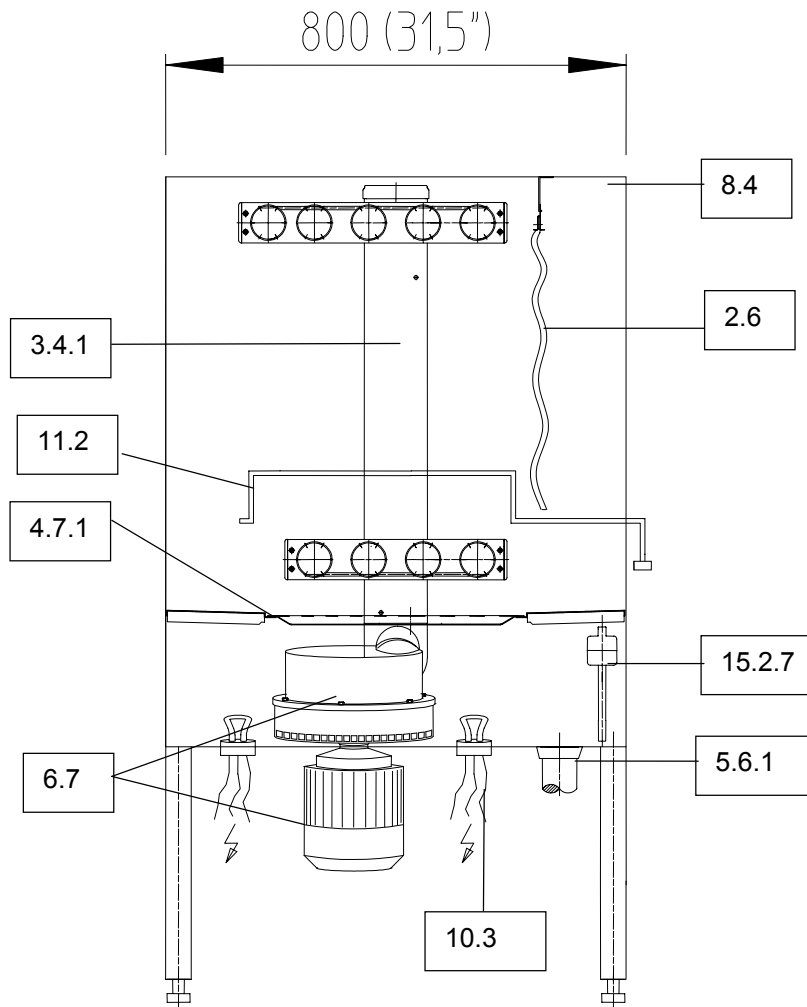


| POS. | BEZEICHUNG | DESIGNATION | DESIGNATION |
|--------|-------------------|------------------------------|---------------------------------|
| 2.6 | VORHANG 510X360 | CURTAIN 20 5/64" X 14 11/64" | RIDEAU 510X360 |
| 3.4.1 | WASCHSYSTEM HWZ | WASH SYSTEM HWZ | SYSTEME DE LAVAGE HWZ |
| 4.10.1 | SIEB | SIEVE | TAMIS |
| 5.6.1 | ABLAUF | DRAIN | VIDANGE |
| 6.7 | WASCHPUMPE | WASH PUMP | POMPE DE LAVAGE |
| 8.8 | TÜR | DOOR | PORTE |
| 11.4 | TAKTSCHALTER | INTERVAL SWITCH | INTERRUPTEUR DE SYNCHRONISATION |
| 15.2.7 | SCHWIMMERSCHALTER | FLOATING SWITCH | FLOTTEUR POUR NIVEAU DE BAC |

HAUPTWASCHZONE K44 (31,5“)

MAIN WASH ZONE K44 (31,5”)

ZONE DE LAVAGE PRINCIPALE K44 (31,5”)



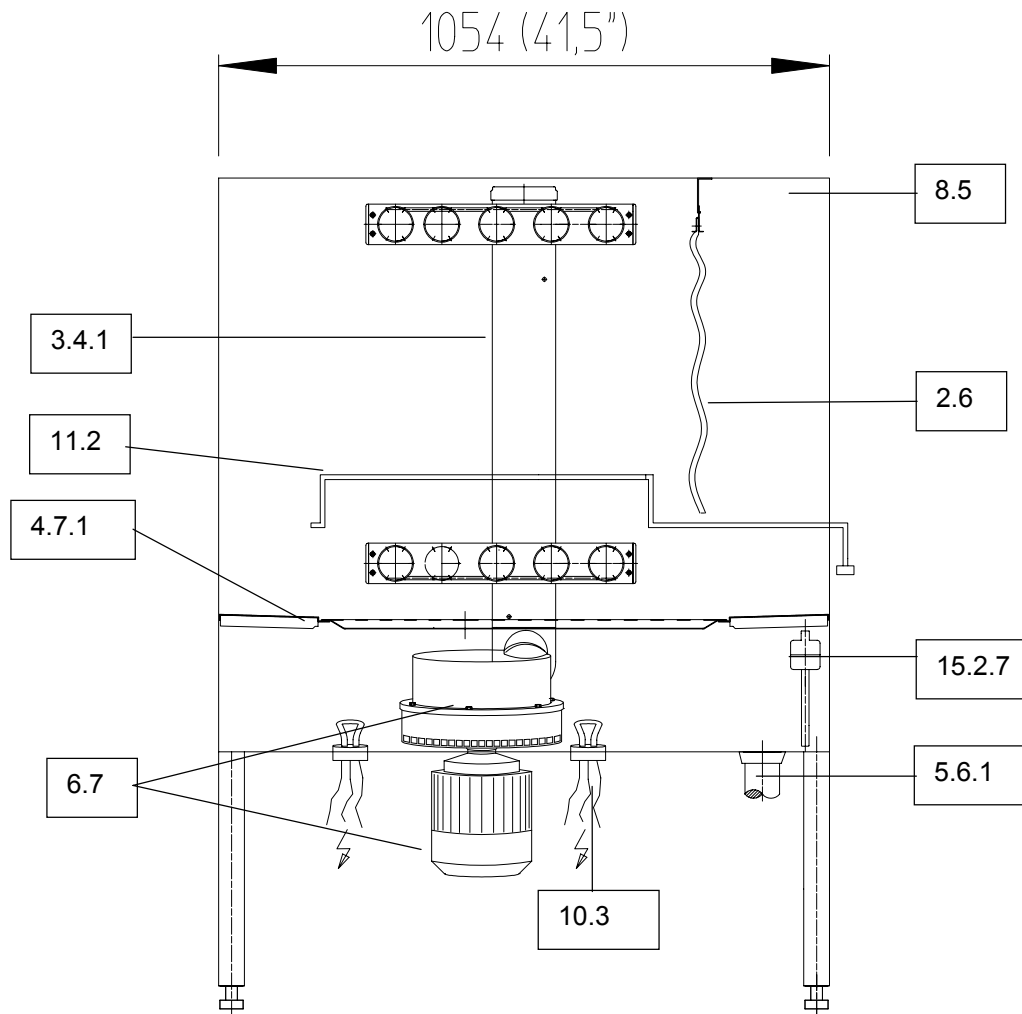
| POS. | BEZEICHNUNG | DESIGNATION | DESIGNATION |
|--------|-------------------|------------------------------|---------------------------------|
| 2.6 | VORHANG 510X360 | CURTAIN 20 5/64" X 14 11/64" | RIDEAU 510X360 |
| 3.4.1 | WASCHSYSTEM HWZ | WASH SYSTEM HWZ | SYSTEME DE LAVAGE HWZ |
| 4.7.1 | SIEB | SIEVE | TAMIS |
| 5.6.1 | ABLAUF | DRAIN | VIDANGE |
| 6.7 | WASCHPUMPE | WASH PUMP | POMPE DE LAVAGE |
| 8.4 | TÜR | DOOR | PORTE |
| 10.3 | HEIZUNG | HEATING ELEMENT | RESISTANCE |
| 11.2 | TAKTSCHALTER | INTERVAL SWITCH | INTERRUPTEUR DE SYNCHRONISATION |
| 15.2.7 | SCHWIMMERSCHALTER | FLOATING SWITCH | FLOTTEUR POUR NIVEAU DE BAC |

HAUPTWASCHZONE K54 (41,5“)



MAIN WASH ZONE K54 (41,5”)

ZONE DE LAVAGE PRINCIPALE K54 (41,5”)



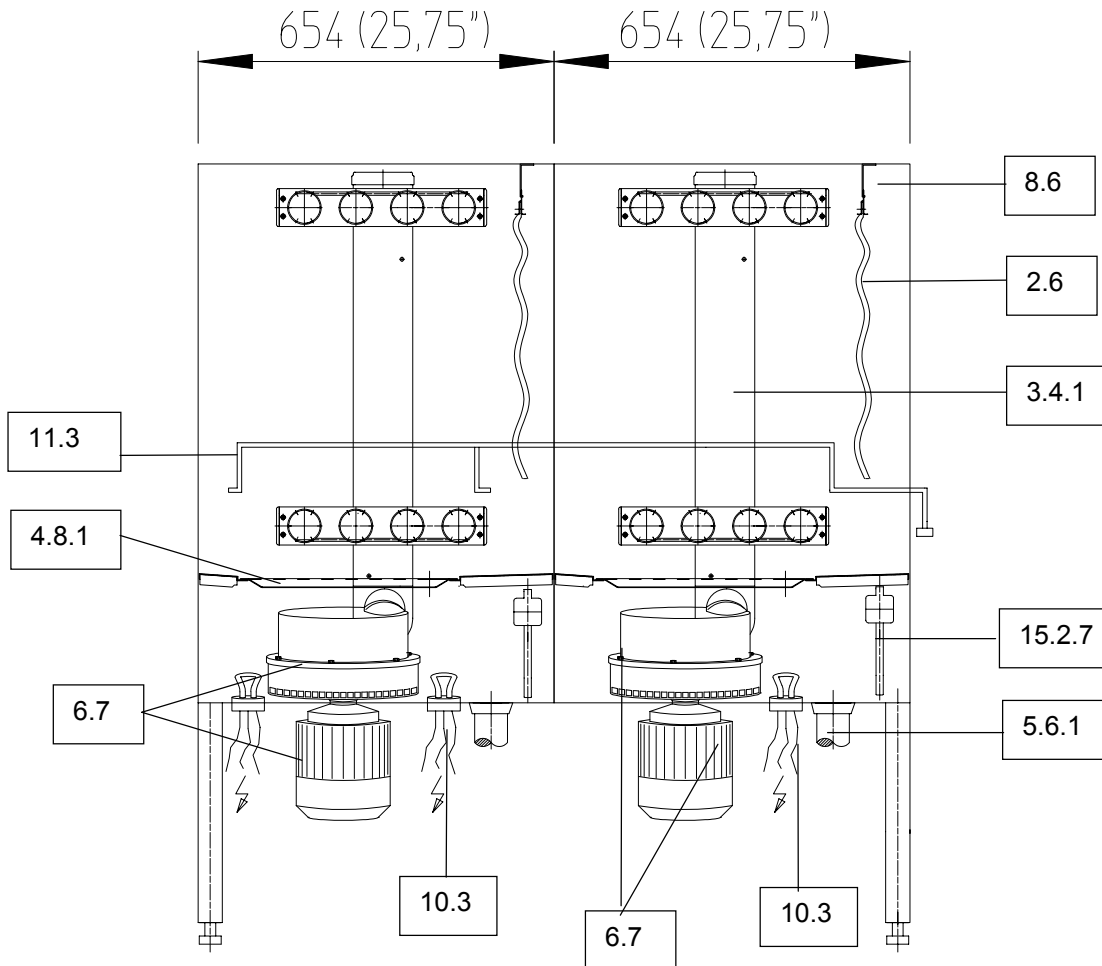
| POS. | BEZEICHNUNG | DESIGNATION | DESIGNATION |
|--------|-------------------|------------------------------|---------------------------------|
| 2.6 | VORHANG 510X360 | CURTAIN 20 5/64" X 14 11/64" | RIDEAU 510X360 |
| 3.4.1 | WASCHSYSTEM HWZ | WASH SYSTEM HWZ | SYSTEME DE LAVAGE HWZ |
| 4.7.1 | SIEB | SIEVE | TAMIS |
| 5.6.1 | ABLAUF | DRAIN | VIDANGE |
| 6.7 | WASCHPUMPE | WASH PUMP | POMPE DE LAVAGE |
| 8.5 | TÜR | DOOR | PORTE |
| 10.3 | HEIZUNG | HEATING ELEMENT | RESISTANCE |
| 11.2 | TAKTSCHALTER | INTERVAL SWITCH | INTERRUPTEUR DE SYNCHRONISATION |
| 15.2.7 | SCHWIMMERSCHALTER | FLOATING SWITCH | FLOTTEUR POUR NIVEAU DE BAC |

HAUPTWASCHZONE K64 (51,5“)



MAIN WASH ZONE K64 (51,5”)

ZONE DE LAVAGE PRINCIPALE K64 (51,5”)



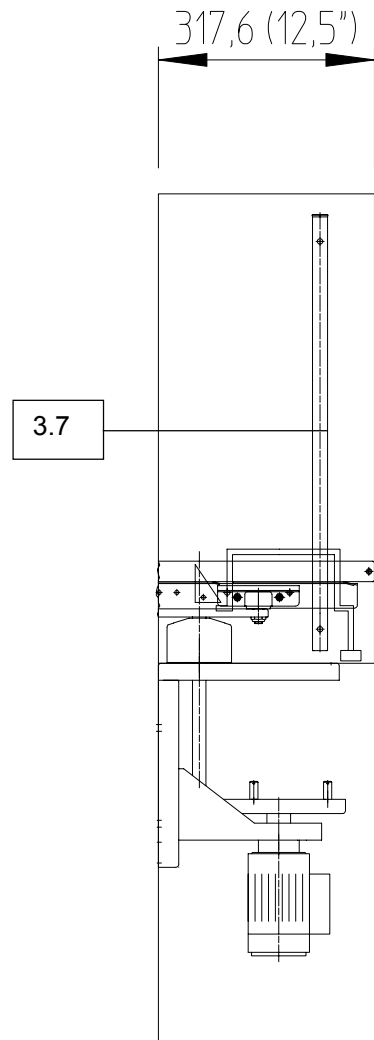
| POS. | BEZEICHNUNG | DESIGNATION | DESIGNATION |
|--------|-------------------|------------------------------|---------------------------------|
| 2.6 | VORHANG 510X360 | CURTAIN 20 5/64" X 14 11/64" | RIDEAU 510X360 |
| 3.4.1 | WASCHSYSTEM HWZ | WASH SYSTEM HWZ | SYSTEME DE LAVAGE HWZ |
| 4.8.1 | SIEB | SIEVE | TAMIS |
| 5.6.1 | ABLAUF | DRAIN | VIDANGE |
| 6.7 | WASCHPUMPE | WASH PUMP | POMPE DE LAVAGE |
| 8.6 | TÜR | DOOR | PORTE |
| 10.3 | HEIZUNG | HEATING ELEMENT | RESISTANCE |
| 113 | TAKTSCHALTER | INTERVAL SWITCH | INTERRUPTEUR DE SYNCHRONISATION |
| 15.2.7 | SCHWIMMERSCHALTER | FLOATING SWITCH | FLOTTEUR POUR NIVEAU DE BAC |

KLARSPÜLZONE (14,5“)



FINAL RINSE ZONE (14,5”)

ZONE DE RINÇAGE (14,5”)



| POS. | BEZEICHNUNG | DESIGNATION | DESIGNATION |
|------|-------------|-------------|-------------|
|------|-------------|-------------|-------------|

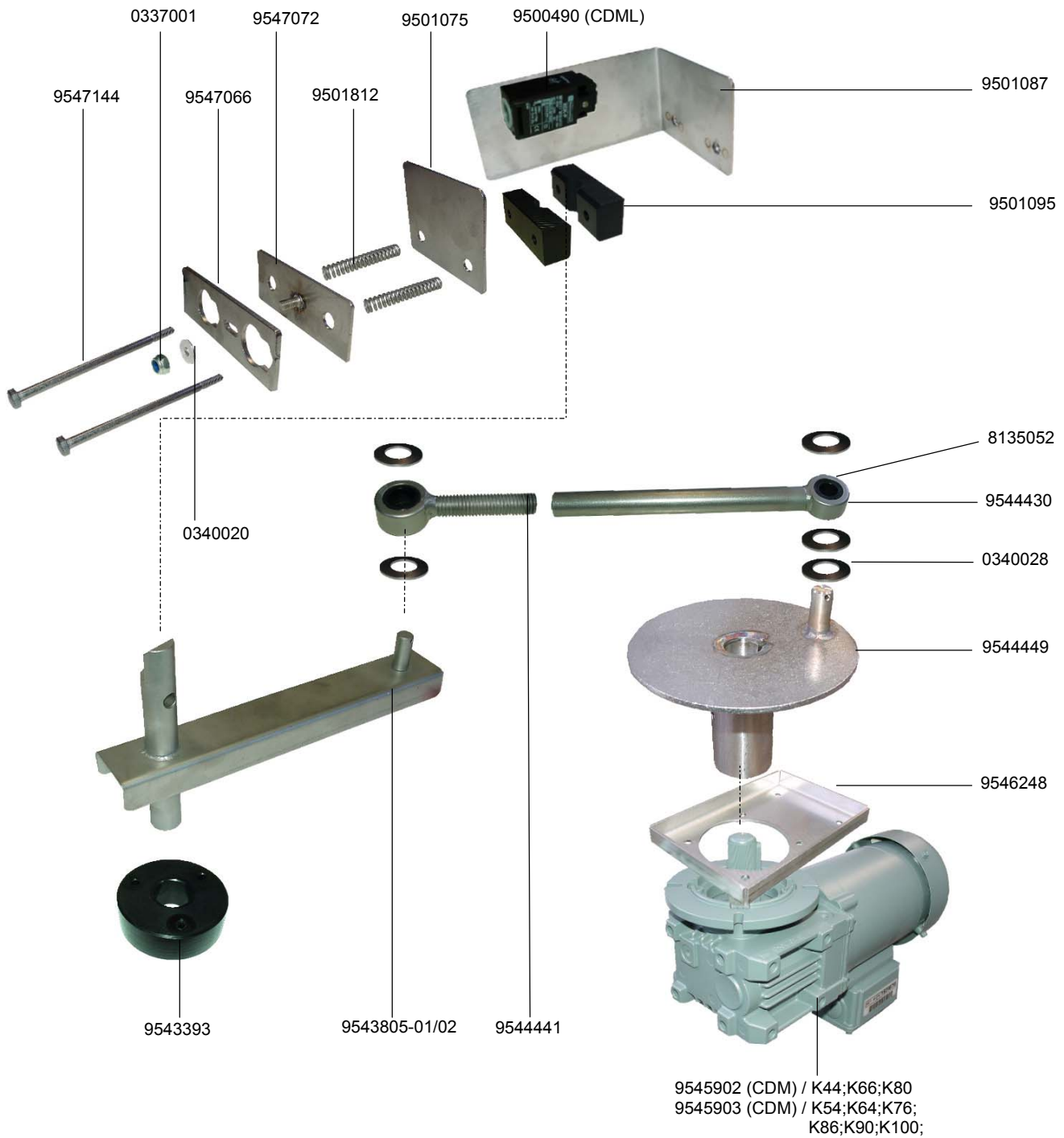
| | | | |
|-----|-------------------------|-------------------------|------------------------------|
| 3.7 | FRISCHWASSERKLARSPÜLUNG | FRESH WATER FINAL RINSE | RINÇAGE FINAL A L'EAU CLAIRE |
|-----|-------------------------|-------------------------|------------------------------|

1.1 KORBTRANSPORT



1.1 BASKET TRANSPORT

1.1 TRANSPORT DE CASIERS



1.1 KORBTRANSPORT



1.1 BASKET TRANSPORT

1.1 TRANSPORT DE CASIERS

| IDENT.-NR. IDENT.-NO. | BEZEICHNUNG | DESIGNATION | DESIGNATION |
|--------------------------|---------------------------|----------------------------|-----------------------------------|
| 9501087 | SCHALTBLECH | SWITCHING LEVER | LEVIER INTERRUPTEUR |
| 9501049 | KONSOLE | CONSOLE | CONSOLE |
| V 9501095 | LAGERSCHALE | BEARING PILLOW | COQUILLE DE SUPPORT |
| 9544441 | KOPPELSTANGE | COUPLING ROD | BARRE DE COUPLAGE |
| V 8135052 | GELENKBUCHSE | JOINT BUSHING | DOUILLE DE JOINT |
| * 9544430 | KOPPELSTANGE | COUPLING ROD | COQUILLE DE SUPPORT |
| 0340028 | U-SCHEIBE | SUPPORT DISC | RONDELLE |
| 9544449 | ANTRIEBSSCHEIBE | DISC DRIVE | DIQUE D'ENTRAINEMENT |
| * 9545902 | MOTOR | MOTOR | MOTEUR |
| * 9545903 | MOTOR | MOTOR | MOTEUR |
| 9546248 | GEHÄUSE | HOUSING | CARCASSE |
| 9543805-01 | SCHWENKARM (LINKS-RECHTS) | SWIVEL ARM (LEFT-RIGHT) | BRAS ORIENTABLE (GAUCHE-DROIT) |
| 9543805-02 | SCHWENKARM (RECHTS-LINKS) | SWIVEL ARM (RIGHT-LEFT) | BRAS ORIENTABLE (DROIT-GAUCHE) |
| V 9543393 | LAGERGEHÄUSE | BEARING HOUSING | LOGEMENT DU PALIER |
| 9547144 | SKT.-SCHRAUBE M8X160 | HEXAGON SCREW M8X160 | VIS A 6 PANS M8X160 |
| 0340020 | U-SCHEIBE Ø5,3X15 | SUPPORT DISC Ø5,3X15 | RONDELLE Ø5,3X15 |
| 9547066 | SICHERUNGSLASCHE | SECURITY BRACKET | COLLIER DE FIXATION DE SE'CURITE' |
| 9547072 | HALTEBLECH | FIXING PANEL | TOLE DE SUPPORT |
| V 9501812 | DRUCKFEDER | PRESSURE SPRING | RESSORT DE PRESSION |
| 9501075 | SCHALTBLECH | SWITCHING LEVER | LEVIER INTERRUPTEUR |
| * 9500490 | ÜBERLAST SCHALTER | CONVEYOR DRIVE MOTOR LIMIT | COMMUTATEUR DE SECURIVE |

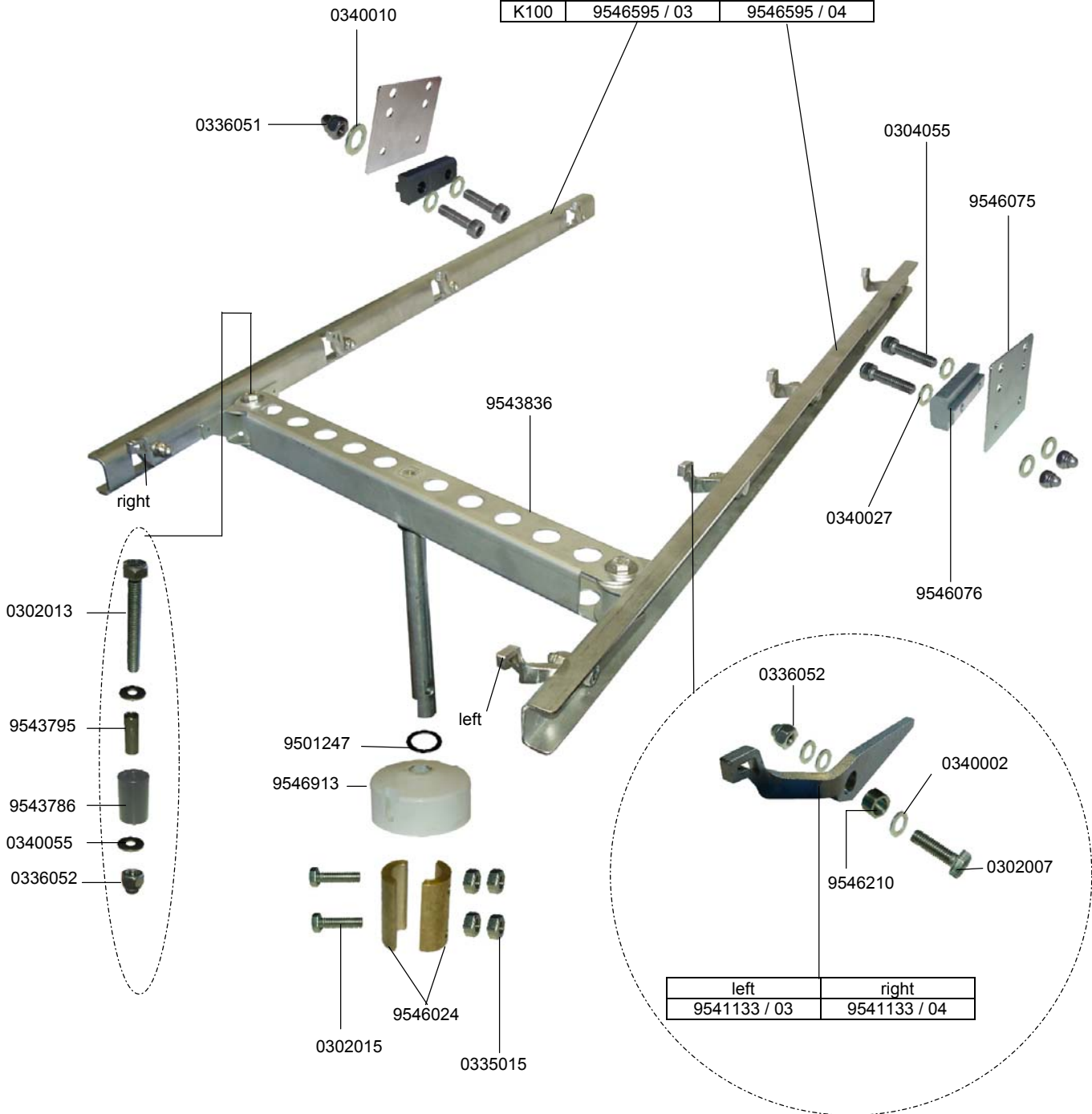
1.2 TRANSPORTSCHLITTEN



1.2 TRANSPORT RAIL

1.2 RAIL DE TRANSPORT

| | left | right |
|------|--------------|--------------|
| K44 | 9546173 / 03 | 9546173 / 04 |
| K54 | 9546601 / 03 | 9546601 / 04 |
| K64 | 9546604 / 03 | 9546604 / 04 |
| K66 | 9546612 / 03 | 9546612 / 04 |
| K76 | 9546596 / 03 | 9546596 / 04 |
| K80 | 9546606 / 03 | 9546606 / 04 |
| K86 | 9546617 / 03 | 9546617 / 04 |
| K90 | 9546608 / 03 | 9546608 / 04 |
| K100 | 9546595 / 03 | 9546595 / 04 |



| left | right |
|--------------|--------------|
| 9541133 / 03 | 9541133 / 04 |

1.2 TRANSPORTSCHLITTEN



1.2 RAIL DE TRANSPORT

1.2 TRANSPORT RAIL

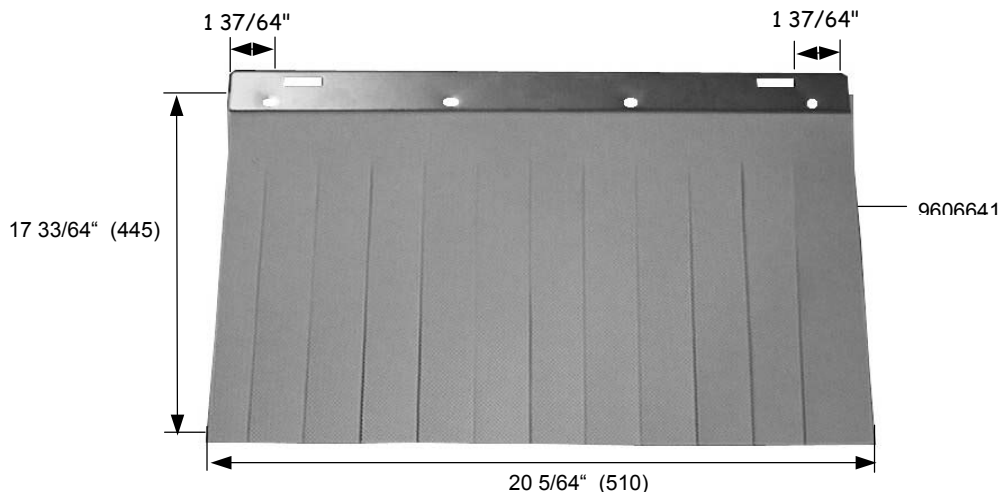
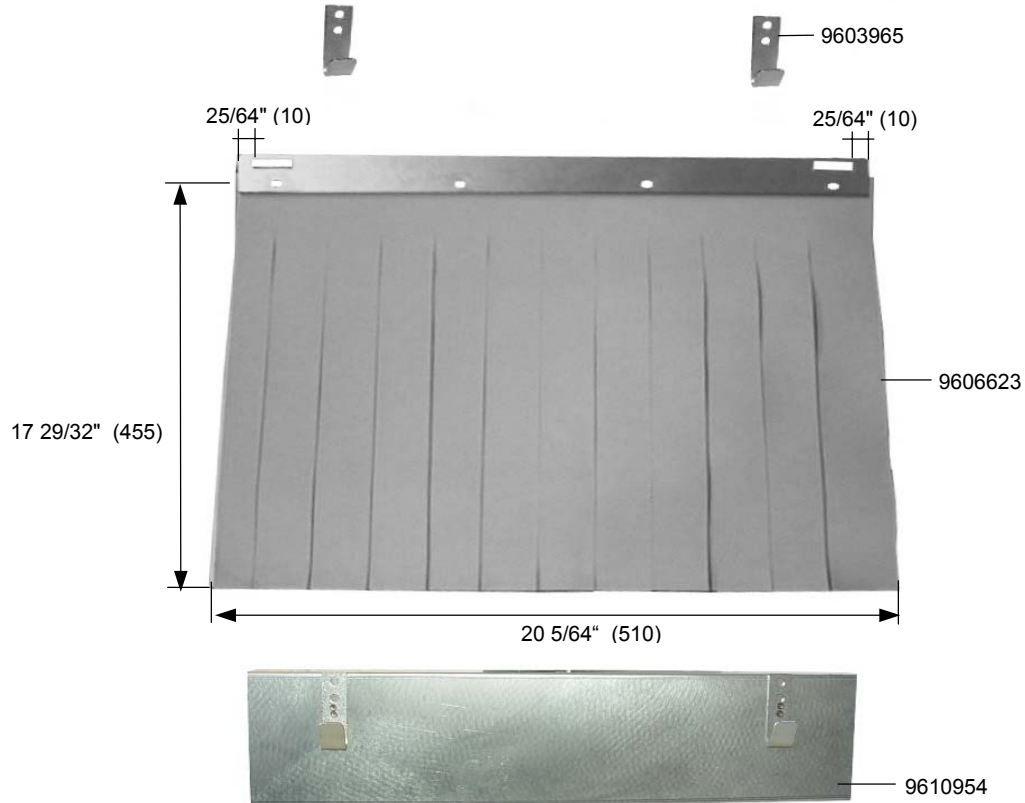
| IDENT.-NR. IDENT.-NO. | BEZEICHNUNG | DESIGNATION | DESIGNATION |
|--------------------------|------------------------------|------------------------------|--|
| 9546173-03 | TRANSPORTSCHLITTEN 940,5 MM | TRANSPORT RAIL 37 1/2" | RAIL DE TRANSPORT 940,5 MM |
| 9546173-04 | TRANSPORTSCHLITTEN 940,5 MM | TRANSPORT RAIL 37 1/2" | RAIL DE TRANSPORT 940,5 MM |
| 9546601-03 | TRANSPORTSCHLITTEN 1194,5 MM | TRANSPORT RAIL 47 1/32" | RAIL DE TRANSPORT 1194,5 MM |
| 9546601-04 | TRANSPORTSCHLITTEN 1194,5 MM | TRANSPORT RAIL 47 1/32" | RAIL DE TRANSPORT 1194,5 MM |
| 9546604-03 | TRANSPORTSCHLITTEN 1448,5 MM | TRANSPORT RAIL 57 1/32" | RAIL DE TRANSPORT 1448,5 MM |
| 9546604-04 | TRANSPORTSCHLITTEN 1448,5 MM | TRANSPORT RAIL 57 1/32" | RAIL DE TRANSPORT 1448,5 MM |
| 9546612-03 | TRANSPORTSCHLITTEN 1499,3 MM | TRANSPORT RAIL 59 1/32" | RAIL DE TRANSPORT 1499,3 MM |
| 9546612-04 | TRANSPORTSCHLITTEN 1499,3 MM | TRANSPORT RAIL 59 1/32" | RAIL DE TRANSPORT 1499,3 MM |
| 9546596-03 | TRANSPORTSCHLITTEN 1753,3 MM | TRANSPORT RAIL 69 1/32" | RAIL DE TRANSPORT 1753,3 MM |
| 9546596-04 | TRANSPORTSCHLITTEN 1753,3 MM | TRANSPORT RAIL 69 1/32" | RAIL DE TRANSPORT 1753,3 MM |
| 9546606-03 | TRANSPORTSCHLITTEN 1854,9 MM | TRANSPORT RAIL 73 1/32" | RAIL DE TRANSPORT 1854,9 MM |
| 9546606-04 | TRANSPORTSCHLITTEN 1854,9 MM | TRANSPORT RAIL 73 1/32" | RAIL DE TRANSPORT 1854,9 MM |
| 9546617-03 | TRANSPORTSCHLITTEN 2007,3 MM | TRANSPORT RAIL 79 1/32" | RAIL DE TRANSPORT 2007,3 MM |
| 9546617-04 | TRANSPORTSCHLITTEN 2007,3 MM | TRANSPORT RAIL 79 1/32" | RAIL DE TRANSPORT 2007,3 MM |
| 9546608-03 | TRANSPORTSCHLITTEN 2108,9 MM | TRANSPORT RAIL 83 1/32" | RAIL DE TRANSPORT 2108,9 MM |
| 9546608-04 | TRANSPORTSCHLITTEN 2108,9 MM | TRANSPORT RAIL 83 1/32" | RAIL DE TRANSPORT 2108,9 MM |
| 9546595-03 | TRANSPORTSCHLITTEN 2362,9 MM | TRANSPORT RAIL 93 1/32" | RAIL DE TRANSPORT 2362,9 MM |
| 9546595-04 | TRANSPORTSCHLITTEN 2362,9 MM | TRANSPORT RAIL 93 1/32" | RAIL DE TRANSPORT 2362,9 MM |
| 9543836 | QUERTRAVERSE | CROSSARM | BARRE TRANSVERSALE |
| 0336052-H | HUTMUTTER M8 | CAP NUT M8 | ECROU BORGNE M8 |
| 0302007 | SKT.-SCHRAUBE M8X20 | HEXAGON HEAD CAP SCREW M8X20 | BOULON HEXAGONAL M8X20 |
| 0340002-H | U-SCHEIBE | LIMPET | RONDELLE |
| 9546210 | ABSTANDROHR | DISTANCE TUBE | TUYAU DE DISTANCE |
| * 9541133-03 | KLINKE | CATCH | CLIQUET |
| * 9541133-04 | KLINKE | CATCH | CLIQUET |
| 0335015 | MUTTER | NUT | ÉCROU |
| * 9546024 | STECKKUPPLUNG | PLUG-IN CLUTCH | DISPOSITIF ENFICHABLE D'ACCOUPEMENT |
| 0302015-H | SKT.-SCHRAUBE M8X55 | HEXAGON HEAD CAP SCREW M8X55 | BOULON HEXAGONAL M8X55 |
| * 9501247 | O-RING | O-RING | BAGUE |
| 9546913 | ABDECKUNG | COVER | RECOUVREMENT |
| 0340055 | U-SCHEIBE | LIMPET | RONDELLE |
| * 9543786 | LAGERBUCHSE | BEARING BUSH | COUSSINET |
| 9543795 | HÜLSE | SPACER | DOVILLE D'ECARTEMENT |
| 0302013 | SKT.-SCHRAUBE M8X80 | HEXAGON HEAD CAP SCREW M8X80 | BOULON HEXAGONAL M8X80 |
| 0340010-H | U-SCHEIBE | LIMPET | RONDELLE |
| 0340027 | U-SCHEIBE | LIMPET | RONDELLE |
| V 9546076 | LAGER | BEARING | PALIER |
| 0336051-H | HUTMUTTER M6 | CAP NUT M6 | ECROU BORGNE M6 |
| 9546075 | LAGERPLATTE | BEARING PLATE | PLAQUE DE PALIER |
| 0304055-H | SCHRAUBE | SCREW | VIS |

2.8 VORHANG SPRITZSCHUTZTUNNEL EINLAUF



2.8 CURTAIN OF SPLASH PROTECTION TUNNEL FOR FEEDING ZONE

2.8 RIDEAU DE TUNNEL ANTI-ÉCLABOUSSURE À LA ZONE D'ENTRÉE



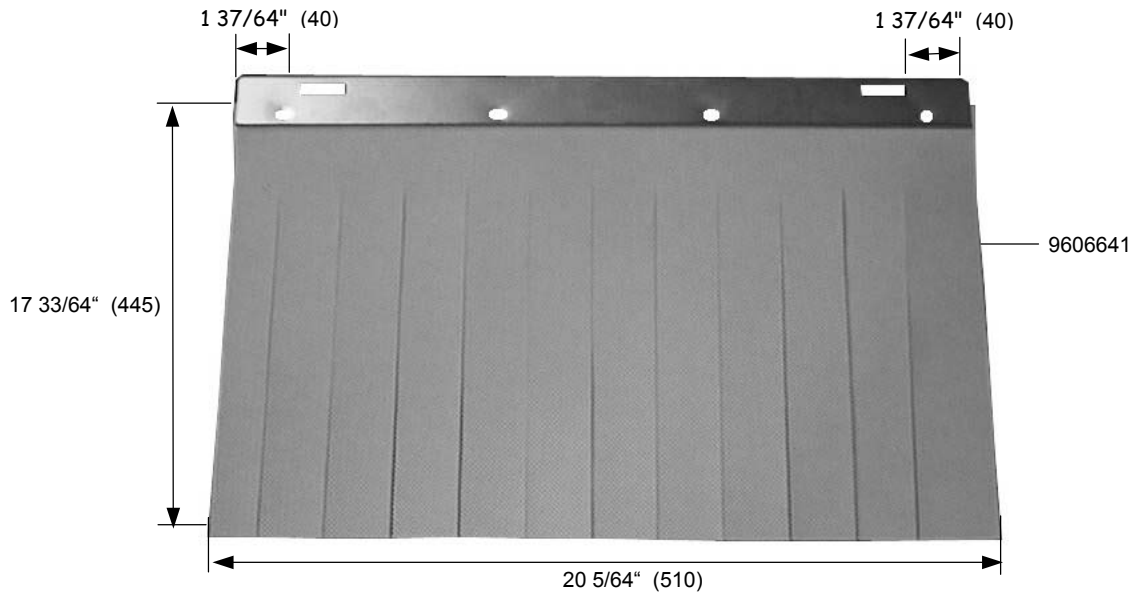
| IDENT.-NR. IDENT.-NO. | BEZEICHNUNG | DESIGNATION | DESIGNATION |
|--------------------------|-----------------------|----------------------------|-------------------------------|
| 9610954 | VORHANGAUFHÄNGEWINKEL | CURTAIN SUSPENSION ANGLE | ANGLE DE ACCROCHAGE DE RIDEAU |
| V 9606641 | VORHANG 510X445 | CURTAIN 20 5/64"X17 33/64" | RIDEAU 510X445 |
| — 9610954 | VORHANGAUFHÄNGEWINKEL | CURTAIN SUSPENSION ANGLE | ANGLE DE ACCROCHAGE DE RIDEAU |
| V 9606641 | VORHANG 510X445 | CURTAIN 20 5/64"X17 33/64" | RIDEAU 510X445 |

2.9 VORHANG VORWASCHZONE / HAUPTWASCHZONE



2.9 CURTAIN PREWASH-SECTION / MAIN WASH ZONE

2.9 RIDEAU ZONE DE PRELAVAGE / ZONE DE LAVAGE PRINCIPALE



| IDENT.-NR. IDENT.-NO. | BEZEICHNUNG | DESIGNATION | DESIGNATION |
|--------------------------|-------------|-------------|-------------|
|--------------------------|-------------|-------------|-------------|

| | | | |
|-----------|-----------------------|----------------------------|-------------------------------|
| — 9610954 | VORHANGAUFHÄNGEWINKEL | CURTAIN SUSPENSION ANGLE | ANGLE DE ACCROCHAGE DE RIDEAU |
| V 9606641 | VORHANG 510X445 | CURTAIN 20 5/64"X17 33/64" | RIDEAU 510X445 |

K-Machine Sequential Curtain Chart From Load End:

Std. Long = 9606623

Std. Short = 9606641

Std. Loader (if equipped) = 9608917

Hi Hood Long = 9553877

Hi Hood Short = 9553879

Hi Hood Loader (if equipped) = 9609156

Standard Hood Machines

K-44, K-54 (long = 9606623, short = 9606641)

long-short-short-long-long

K-64, K-66, K-76, K-80, K-90 (long = 9606623, short = 9606641)

long-short-short-short-long-long

K-86, K-100 (long = 9606623, short = 9606641)

long-short-short-short-short-long-long

High Hood Machines

K-44, K-54 (long = 9553877, short = 9553879)

long-long-short-long-long

K-64, K-66, K-76, K-80, K-90 (long = 9553877, short = 9553879)

long-long-short-short-long-long

K-86, K-100 (long = 9553877, short = 9553879)

long-long-short-short-short-long-long

All standard hood machines with power loader

First long curtain = 9608917

All standard hood machines with power unloader

Last long curtain = 9608917

All high hood machines with power loader

First long curtain = 9609156

All high hood machines with power unloader

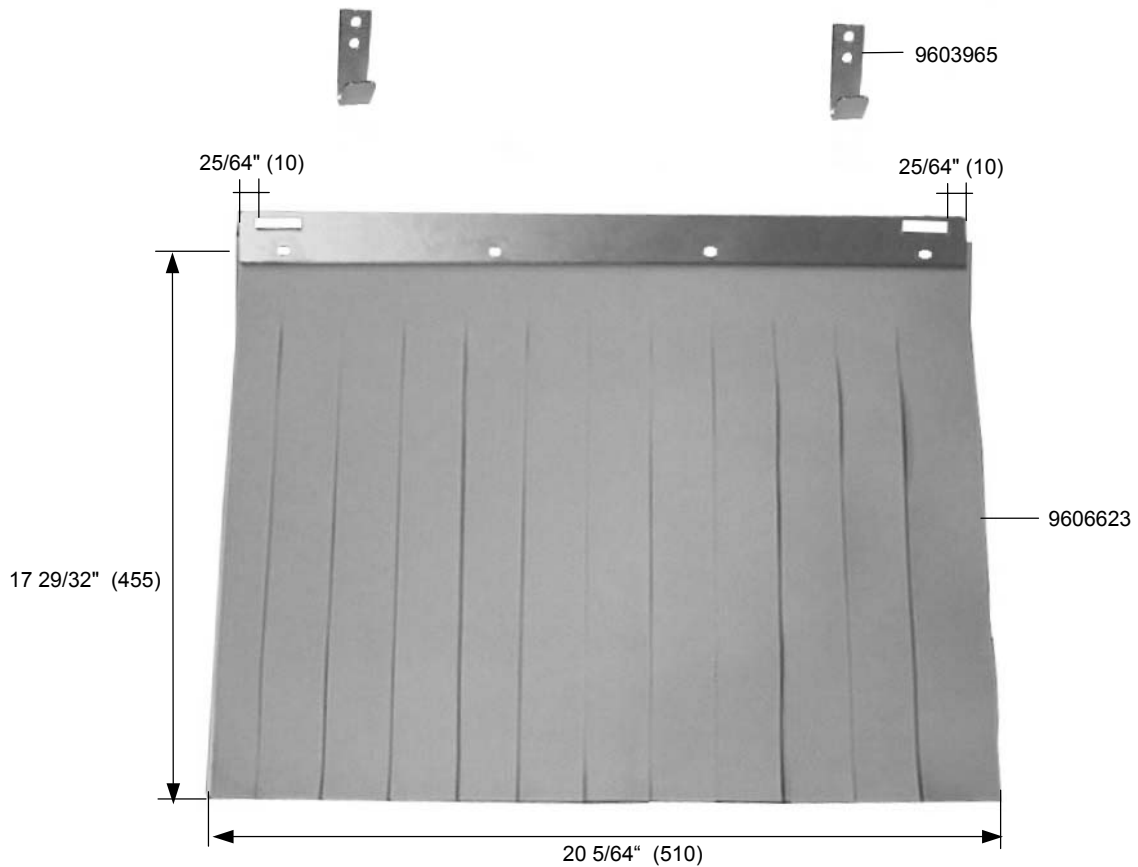
Last long curtain = 9609156

2.10 VORHANG SPRITZSCHUTZTUNNEL AUSLAUF



2.10 CURTAIN OF SPLASH PROTECTION TUNNEL FOR DISCHARGE ZONE

2.10 RIDEAU DE TUNNEL ANTI-ECLABOUSSURE A LA ZONE DE SORTIE



| IDENT.-NR. IDENT.-NO. | BEZEICHNUNG | DESIGNATION | DESIGNATION |
|--------------------------|-------------|-------------|-------------|
|--------------------------|-------------|-------------|-------------|

| | | | |
|-----------|-----------------------|----------------------------|-------------------------------|
| — 9603965 | VORHANGAUFHÄNGEWINKEL | CURTAIN SUSPENSION ANGLE | ANGLE DE ACCROCHAGE DE RIDEAU |
| V 9606623 | VORHANG 510X455 | CURTAIN 20 5/64"X17 29/32" | RIDEAU 510X455 |

3.3.1 WASCHSYSTEM PW 22



3.3.1 WASH SYSTEM PW 22

3.3.1 SYSTEME DE LAVAGE-PW22



3.3.1 WASCHSYSTEM PW 22



3.3.1 WASH SYSTEM PW 22

3.3.1 SYSTEME DE LAVAGE-PW 22

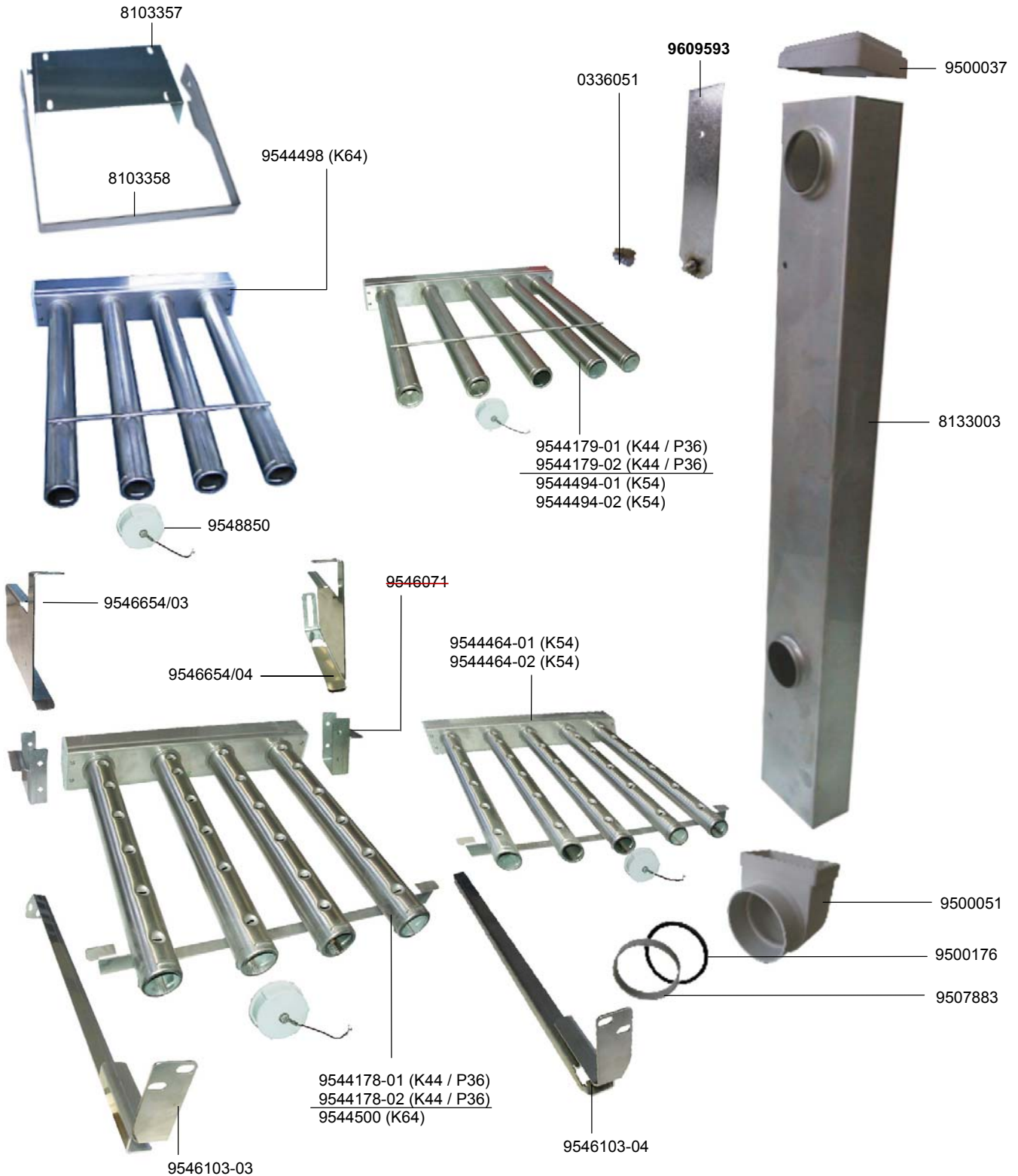
| IDENT.-NR. IDENT.-NO. | BEZEICHNUNG | DESIGNATION | DESIGNATION |
|--------------------------|---------------------|---------------------------|------------------------------------|
| * 9500176 | O-RING | O-RING | BAGUE |
| 9500051 | STEIGROHRANSCHLUSS | ASCENDING PIPE CONNECTION | CONNEXION POUR COLONNE DE LEVATION |
| 0336051-H | HUTMUTTER M6 | CAP NUT M6 | ECROU BORGNE M6 |
| 9609593 | DROSSELBLECH | THROTTLE PLATE | TOLE DE D'ETRANGLEMENT |
| 9501398 | STEIGROHR | ASCENDING PIPE | COLONNE DE LEVATION |
| 9500037 | STEIGROHRDECKEL | LID | COUVERCLE |
| 8103480 | STEIGROHRDROSSEL | THROTTLE PLATE | TOLE DE D'ETRANGLEMENT |
| 9549891 | WASCHARM OBEN KPL. | UPPER WASH ARM CPL. | BRAS DE LAVAGE SUP. CPL. |
| * 9548850 | VERSCHLUSSKAPPE | CLOSING CAP | CAPOUCHON |
| 9549888 | WASCHARM UNTEN KPL. | LOWER WASH ARM CPL. | BRAS DE LAVAGE INF. CPL. |

3.4.2 HWZ-WASCHSYSTEM



3.4.2 HWZ -WASH SYSTEM

3.4.2 SYSTEME DE LAVAGE-HWZ



3.4.2 HWZ-WASCHSYSTEM



3.4.2 HWZ -WASH SYSTEM

3.4.2 SYSTEME DE LAVAGE- HWZ

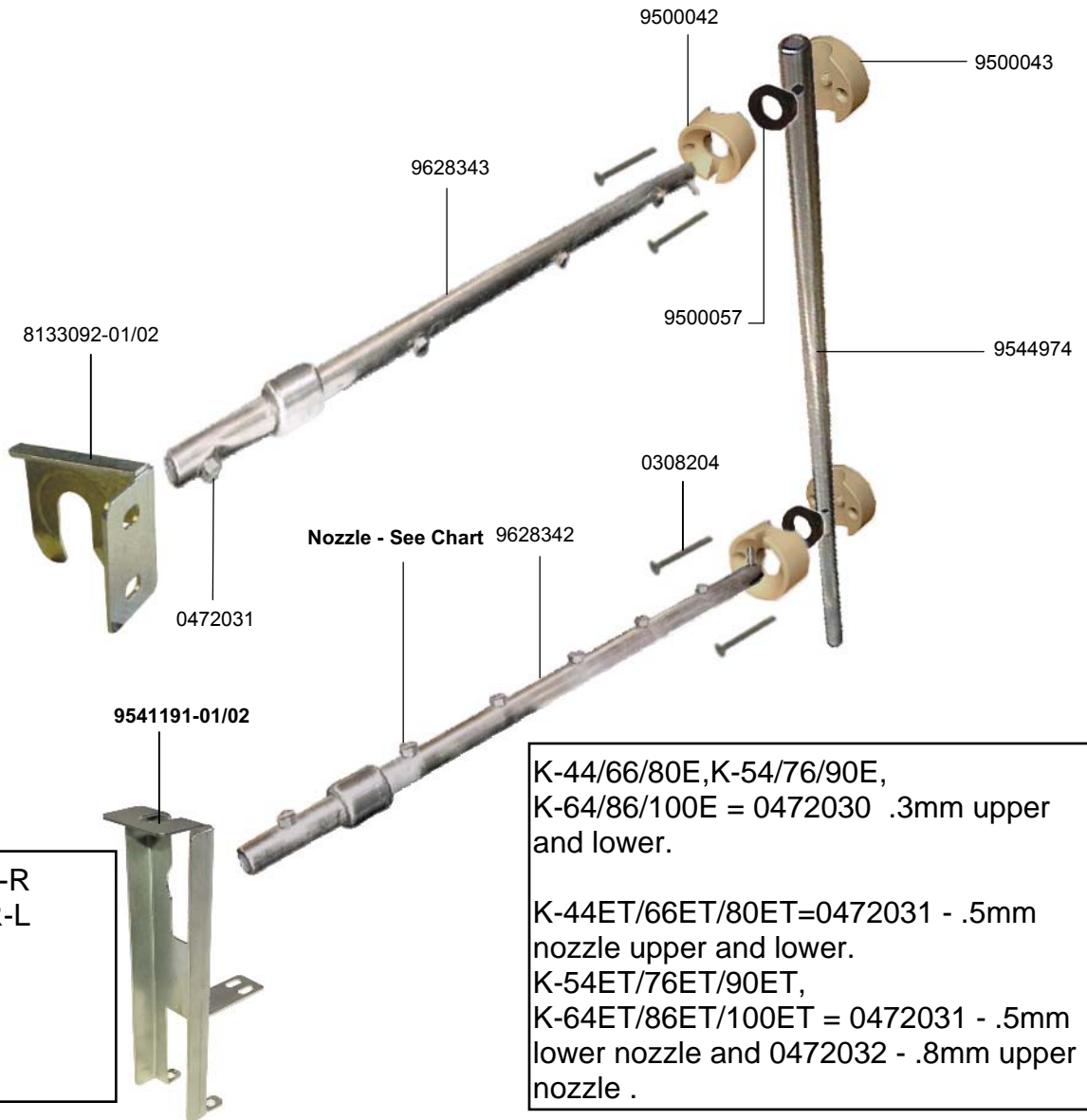
| IDENT.-NR. IDENT.-NO. | BEZEICHNUNG | DESIGNATION | DESIGNATION |
|--------------------------|---|--|---|
| 9507883 | STÜTZRING | SUPPORT RING | BAGUE DE SUPPORT |
| * 9500176 | O-RING | O-RING | O-RING |
| 9500051 | STEIGROHRANSCHLUSS | ASCENDING PIPE CONNECTION | CONNEXION POUR COLONNE DE LEVATION |
| 8133003 | STEIGROHR | ASCENDING PIPE | COLONNE DE LEVATION |
| 9500037 | STEIGROHRDECKEL | LID | COUVERCLE |
| 9609593 | DROSSELBLECH | THROTTLE PLATE | TOLE DE D'ETRANGLEMENT |
| 0336051-H | HUTMUTTER M6 | CAP NUT M6 | ECROU BORGNE M6 |
| 8103357 | BEFESTIGUNGSPLATTE | FIXATION PLATE | PLAQUE DE FIXATION |
| 8103358 | BÜGEL | SUPPORT | SUPPORT |
| 9544179-01 | WASCHSYSTEM OBEN KPL. L-R (K44 / P36) | UPPER WASHSYSTEM CPL. L-R (K44 / P36) | SYSTEME DE LAVAGE SUP. CPL.G-D (K44 / P36) |
| 9544179-02 | WASCHSYSTEM OBEN KPL. R-L (K44 / P36) | UPPER WASHSYSTEMCPL. R-L (K44 / P36) | SYSTEME DE LAVAGE SUP. CPL.D-G (K44 / P36) |
| 9544494-01 | WASCHSYSTEM OBEN KPL. L-R (K54) | UPPER WASHSYSTEM CPL. L-R (K54) | SYSTEME DE LAVAGE SUP. CPL.G-D (K54) |
| 9544494-01 | WASCHSYSTEM OBEN KPL. R-L (K54) | UPPER WASHSYSTEMCPL. R-L (K54) | SYSTEME DE LAVAGE SUP. CPL.D-G (K54) |
| 9544498 | WASCHSYSTEM OBEN KPL (K64) | UPPER WASHSYSTEM CPL. (K64) | SYSTEME DE LAVAGE SUP. CPL. (K64) |
| * 9548850 | VERSCHLUSSKAPPE MIT DRAHTSEILSICHERUNG | CLOSING CAP SAFETY METAL ROPE | CAPOUCHON CABLE METALLIQUE D'ARRET |
| 9546103-03 | HALTERUNG LINKS | SUPPORT LEFT | SUPPORT GAUCHE |
| 9546103-04 | HALTERUNG RECHTS | SUPPORT RIGHT | SUPPORT DROITE |
| 9546654-03 | AUFLAGE LINKS | SUPPORT LEFT | SUPPORT GAUCHE |
| 9546654-04 | AUFLAGE RECHTS | SUPPORT RIGHT | SUPPORT DROITE |
| 9546074 | AUFLAGE | SUPPORT | SUPPORT |
| 9544178-01 | WASCHSYSTEM UNTEN KPL. L-R (K44 / P36) | LOWER WASHSYSTEM CPL. L-R (K44 / P36) | SYSTEME DE LAVAGE INF. CPL G-D (K44 / P36) |
| 9544178-02 | WASCHSYSTEM UNTEN KPL. R-L (K44 / P36) | LOWER WASHSYSTEM CPL. R-L (K44 / P36) | SYSTEME DE LAVAGE INF. CPL D-G (K44 / P36) |
| 9544464-01 | WASCHSYSTEM UNTEN KPL. L-R (K54) | LOWER WASHSYSTEM CPL. L-R (K54) | SYSTEME DE LAVAGE INF. CPL G-D (K54) |
| 9544464-02 | WASCHSYSTEM UNTEN KPL. R-L (K54) | LOWER WASHSYSTEM CPL. R-L (K54) | SYSTEME DE LAVAGE INF. CPL D-G (K54) |
| 9544500 | WASCHSYSTEM UNTEN KPL. (K64) | LOWER WASHSYSTEM CPL. (K64) | SYSTEME DE LAVAGE INF. CPL (K64) |

3.7 FRISCHWASSERKLARSPÜLUNG



3.7 FRESH WATER FINAL RINSE

3.7 RINCAGE FINAL A L'EAU CLAIRE



9541191-01 = L-R
9541191-02 = R-L

K-44/66/80E, K-54/76/90E,
K-64/86/100E = 0472030 .3mm upper
and lower.

K-44ET/66ET/80ET=0472031 - .5mm
nozzle upper and lower.
K-54ET/76ET/90ET,
K-64ET/86ET/100ET = 0472031 - .5mm
lower nozzle and 0472032 - .8mm upper
nozzle .

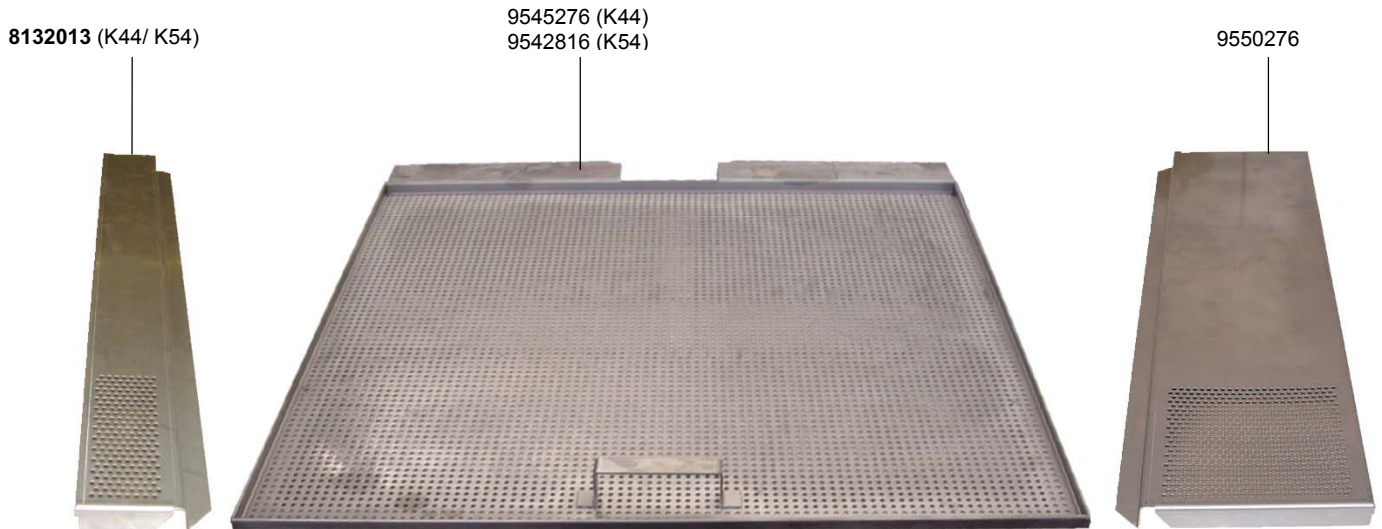
| IDENT.-NR. IDENT.-NO. | BEZEICHNUNG | DESIGNATION | DESIGNATION |
|--------------------------|---------------------|----------------------|--------------------------|
| 9628342 | WASCHARM UNTEN KPL. | LOWER WASH ARM CPL. | BRAS DE LAVAGE INF. CPL. |
| 9544974 | STEIGROHR | ASCENDING PIPE | COLONNE DE LEVATION |
| 0308204-H | SCHRAUBE M4X30 | SCREW M4X30 | VIS M4X30 |
| * 9500043 | KUPPLUNG RÜCKTEIL | CLUTCH BACK PART | ACCOUPLLEMENT ARRIERE |
| * 9500057 | DICHTUNG | PACKING | JOINT |
| * 9500042 | KUPPLUNG VORDERTEIL | CLUTCH FRONT PART | ACCOUPLLEMENT FRONTALE |
| 9628343 | WASCHARM OBEN KPL. | UPPER WASH ARM CPL. | BRAS DE LAVAGE SUP. CPL. |
| * 0472031 | DÜSE | NOZZLE | GICLEUR |
| 8133092-01 | HALTERUNG L-R | FIXING DEVICE L-R | FIXATION G-D |
| 8133092-02 | HALTERUNG R-L | FIXING DEVICE R-L | FIXATION D-G |
| 8133093 | HALTERUNG UNTEN | FIXING DEVICE BOTTOM | FIXATION BAS |

4.7.1 TANKABDECKSIEB (K44 / K54)



4.7.1 TANK COVERING SIEVE (K44 / K54)

4.7.1 TAMIS DE RECOUVREMENT DE BAC (K44 / K54)



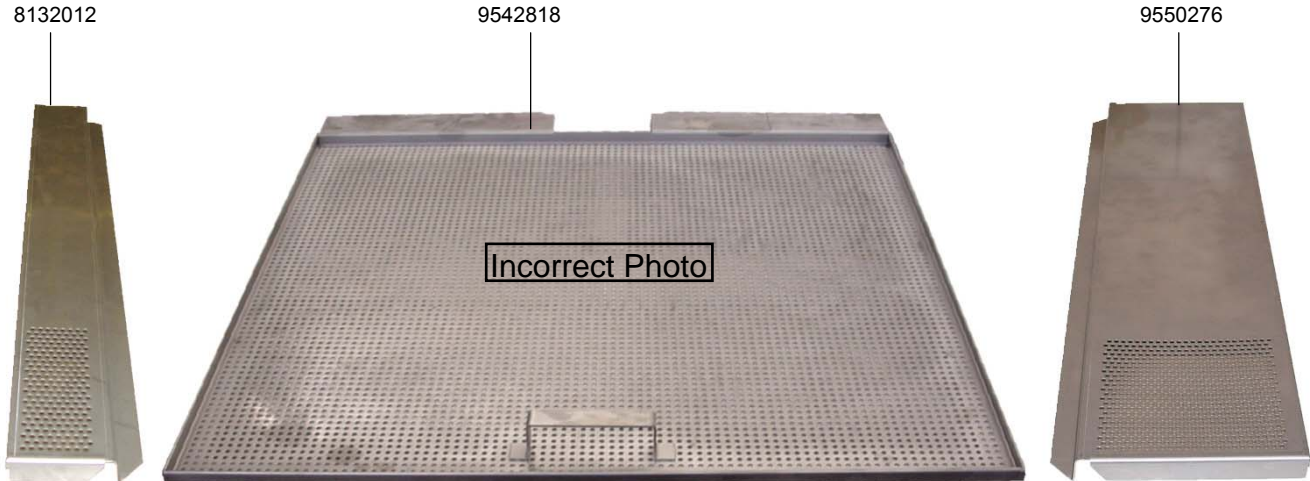
| IDENT.-NR. IDENT.-NO. | BEZEICHNUNG | DESIGNATION | DESIGNATION |
|--------------------------|---|---|--|
| 9550276 | SIEBAUFLAGE SEITLICH RECHTS | SIEVE SUPPORT RIGHT | SUPPORT DE TAMIS DROIT |
| 9545276 | TANKABDECKSIEB K44 683X442,5X25 | TANK COVERING SIEVE K44 26 57/64" X 17 27/64" X 63/64" | TAMIS DE RECOUVREMENT DE BAC K44 683X442,5X25 |
| 9542816 | TANKABDECKSIEB K54 683X696X15 | TANK COVERING SIEVE K54 26 57/64" X 27 13/32" X 19/32" | TAMIS DE RECOUVREMENT DE BAC K54 683X696X15 |
| 8132013 | SIEBAUFLAGE SEITLICH LINKS (K44/ K54) | SIEVE SUPPORT LEFT (K44/ K54) | SUPPORT DE TAMIS GAUCHE (K44/ K54) |

4.8.1 TANKABDECKSIEB K64



4.8.1 TANK COVERING SIEVE K64

4.8.1 TAMIS DE RECOUVREMENT DE BAC K64



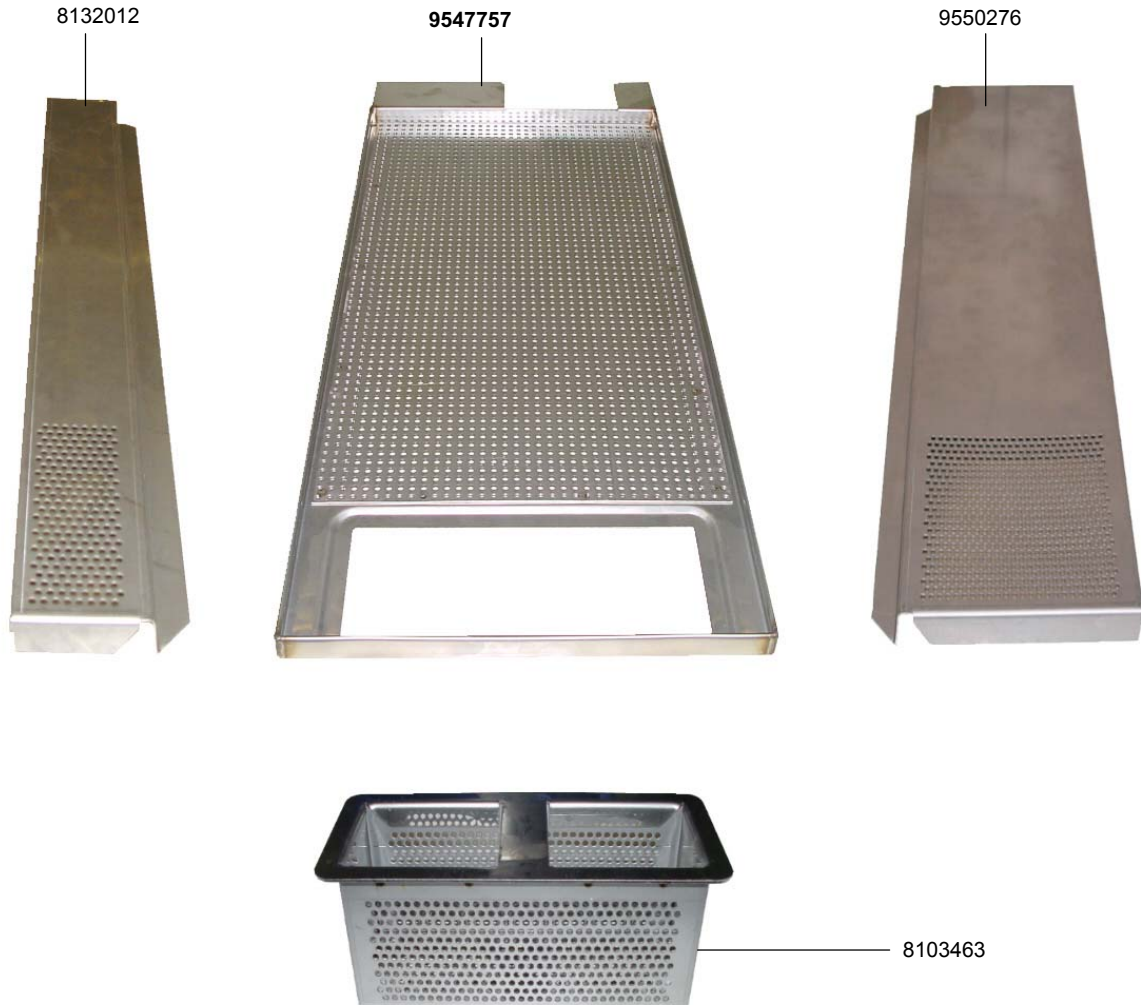
| IDENT.-NR. IDENT.-NO. | BEZEICHNUNG | DESIGNATION | DESIGNATION |
|--------------------------|---------------------------------|---|---|
| 8132012 | SIEBAUFLAGE LINKS 683X74X23 | SIEVE SUPPORT LEFT 26 57/64" X 2 29/32" X 29/32" | SUPPORT DE TAMIS GAUCHE 683X74X23 |
| 9542818 | TANKABDECKSIEB 683X398X37,25 | TANK COVERING SIEVE 26 57/64" X 15 43/64" X 1 15/32" | TAMIS DE RECOUVREMENT DE BAC 683X398X37,25 |
| 9550276 | SIEBAUFLAGE SEITLICH RECHTS | SIEVE SUPPORT RIGHT | SUPPORT DE TAMIS DROIT |

4.9.1 TANKABDECKSIEB PW22



4.9.1 TANK COVERING SIEVE PW22

4.9.1 TAMIS DE RECOUVREMENT DE BAC PW22



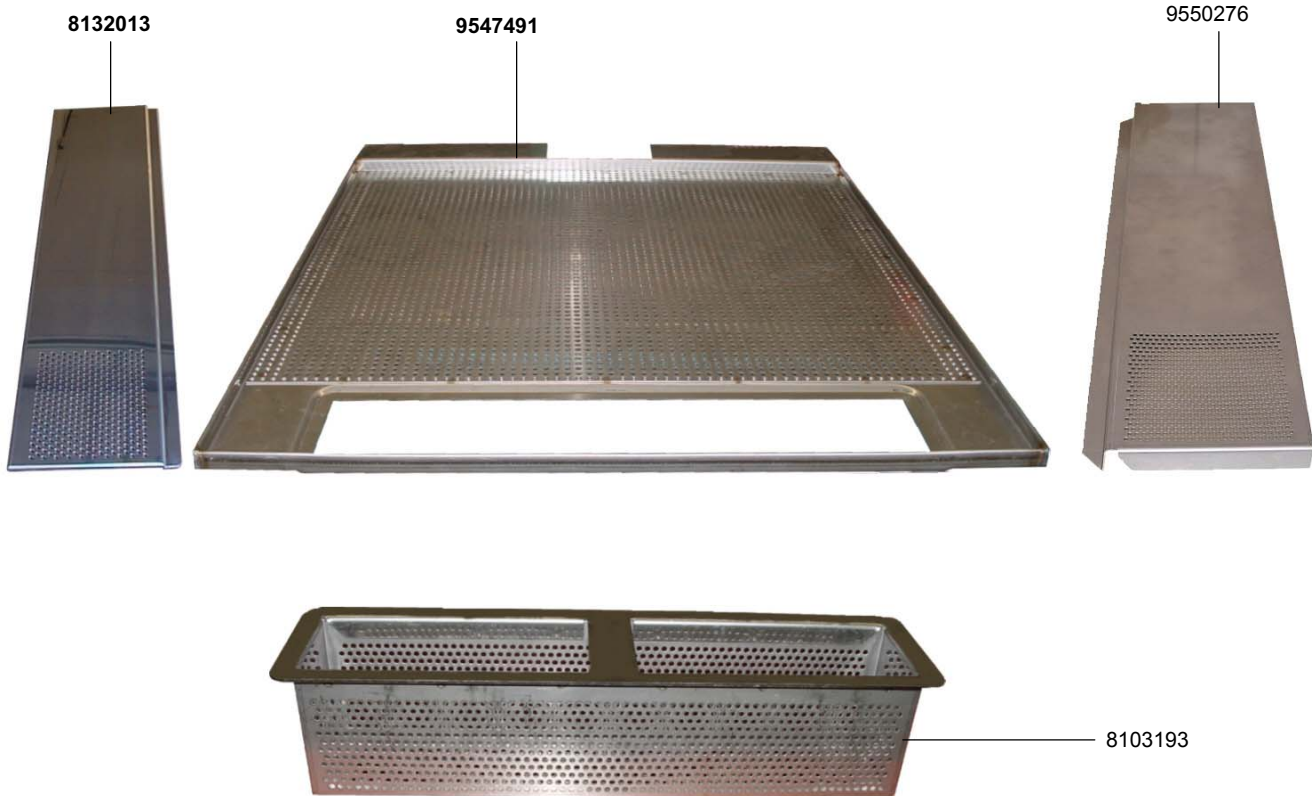
| IDENT.-NR. IDENT.-NO. | BEZEICHNUNG | DESIGNATION | DESIGNATION |
|--------------------------|---------------------------------------|--|---|
| 8132012 | SIEBAUFLAGE LINKS 683X74X23 | SIEVE SUPPORT LEFT 26 57/64" X 2 29/32" X 29/32" | SUPPORT DE TAMIS GAUCHE 683X74X23 |
| 9547757 | TANKABDECKSIEB 683X300,5X15 | TANK COVERING SIEVE 26 57/64" X 11 53/64" X 19/32" | TAMIS DE RECOUVREMENT DE BAC 683X300,5X15 |
| 9550276 | SIEBAUFLAGE SEITLICH RECHTS | SIEVE SUPPORT RIGHT | SUPPORT DE TAMIS DROIT |
| 8103463 | SIEBKORB | SIEVE DRAWER | TAMIS FILTRE |

4.10.1 TANKABDECKSIEB PW36



4.10.1 TANK COVERING SIEVE PW36

4.10.1 TAMIS DE RECOUVREMENT DE BAC PW36



| IDENT.-NR. IDENT.-NO. | BEZEICHNUNG | DESIGNATION | DESIGNATION |
|--------------------------|--|--|--|
| 8132013 | SIEBAUFLAGE LINKS 683X74X23 | SIEVE SUPPORT LEFT 26 57/64" X 2 29/32" X 29/32" | SUPPORT DE TAMIS GAUCHE 683X74X23 |
| 9547491 | TANKABDECKSIEB 683X554,5X37,25 | TANK COVERING SIEVE 26 57/64" X 21 53/64" X 1 15/32" | TAMIS DE RECOUVREMENT DE BAC 683X554,5X37,25 |
| 9550276 | SIEBAUFLAGE SEITLICH RECHTS | SIEVE SUPPORT RIGHT | SUPPORT DE TAMIS DROIT |
| 8103193 | SIEBKORB | SIEVE DRAWER | TAMIS FILTRE |

5.6.1 TANKABLAUF



5.6.1 TANK DRAIN

5.6.1 VIDANGE DE BAC



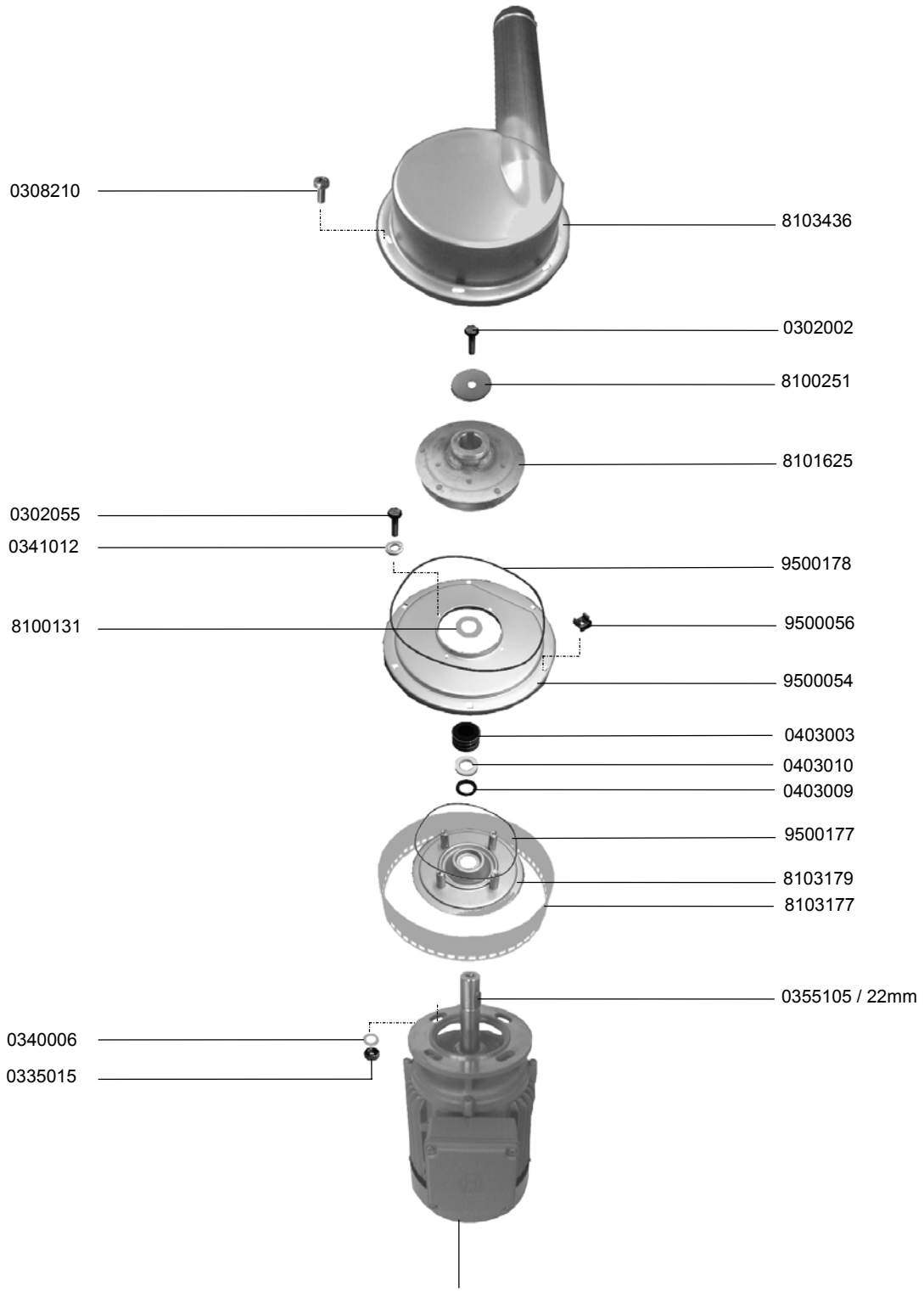
| IDENT.-NR. IDENT.-NO. | BEZEICHNUNG | DESIGNATION | DESIGNATION |
|--------------------------|--|-----------------------|-------------------------------|
| 0237003 | ABLAUF G 2" KOMPLETT | DRAIN 2" 434131240 | VIDANGE 2" |
| 0408224 | GUMMIDICHTUNG | RUBBER PACKING 7 | JOINT EN CAOUTCHOUC |
| 0237008 | STANDR.VENT.-MUTTER 9942 2" X 88 MM MS. | NUT. NO. 9942 MS2 " X | ECROU NO. 9942 MS 2 " X 88 MM |

6.7. WASCHPUMPE 2,2KW CRNI, 60HZ



6.7 WASH PUMP 2,2KW CRNI, 60HZ

6.7 POMPE DE LAVAGE 2,2KW CRNI, 60HZ



9531704 (WPM/PPM/RPM) / 208-230V
9528468 (WPM/PPM/RPM) / 460V

6.7 WASCHPUMPE 2,2KW CRNI, 60HZ



6.7 WASH PUMP 2,2 KW CRNI, 60HZ

6.7 POMPE DE LAVAGE 2,2 KW CRNI, 60HZ

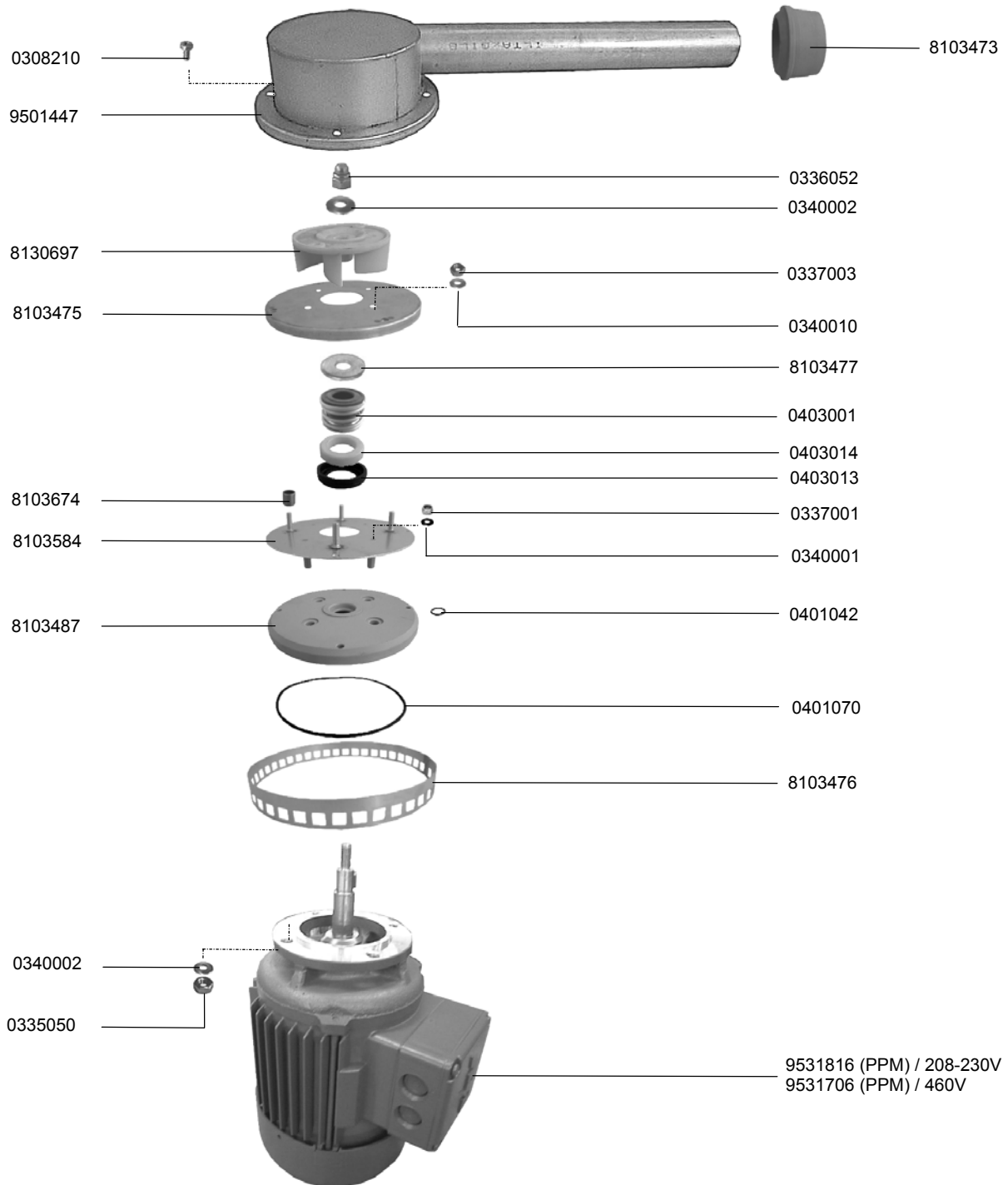
| IDENT.-NR. IDENT.-NO. | BEZEICHNUNG | DESIGNATION | DESIGNATION |
|--------------------------|--|--|---|
| * 9531704 | MOTOR | MOTOR | MOTEUR |
| * 9528468 | MOTOR | MOTOR | MOTEUR |
| * 0355105 | PASSFEDER A 8X7X22 | FEATHER KEY A 8X7X22 | RESSORT D'AJUSTAGE A 8X7X22 |
| 8103177 | ANSAUGSIEB | SUCTION SIEVE | FILTRE D'ASPIRATION |
| 8103179 | MOTORTRÄGER | MOTOR SUPPORT | SUPPORT DE MOTEUR |
| * 9500177 | RUNDDICHTRING | GASKET | JOINT |
| V 0403009 | GLEITR.-MANSCHETTE WINKEL 30X40X7 480 000 008 | COLLAR PERBUNAN 1 3/16"X1 37/64"X9/32" 480 000 008 | MANCHETTE PEBUNAN 30X40X7 480 000 008 |
| V 0403010 | GLEITRING KERAMIK 25X38X8 | SLIDING SEAL CERAMICS 63/64"X1 1/2"X5/16" | JOINT AXIAL CERAMIQUE 25X38X8 |
| V 0403003 | GLEITRINGDICHTUNG VITON 25X44X20 | SLIDING SEAL 63/64"X1 47/64"X25/32" | JOINT AXIAL 25X44X20 |
| 9500054 | PUMPENBODEN | PUMP BASE | FOND DE POMPE |
| 9500056 | KÄFIGMUTTER M6 1,2-1,6 | NUT M6 1,2-1,6 | ECROU M6 1,2-1,6 |
| * 9500178 | RUNDDICHTRING 70° | GASKET 70° | JOINT 70° |
| * 8101625 | PUMPENRAD 1,7KW Ø120X49 1.4301 | IMPELLER 1,7KW Ø4 23/32"X1 59/64" 1.4301 | ROUE DE POMPE 1,7KW Ø120X49 1.4301 |
| 8100251 | U-SCHEIBE Ø34X7X2 1.4301 | FRONT DISC Ø34X7X2 1.4301 | RONDELLE Ø34X7X2 1.4301 |
| 0302002-H | SKT.-SCHRAUBE M6X20 | HEXAGON SCREW | VIS A 6 PANS |
| 8103436 | PUMPENDECKEL KOMPL. | PUMP LID CPL. | COUVERCLE DE POMPE CPL. |
| 0308210-H | SKT.-SCHRAUBE M6X10 | SCREW M6 X 10, | VIS M 6 X 10, |
| 0302055 | SKT.-SCHRAUBE M6X12 | HEXAGON SCREW M6 X 12 MM 1.4301 | VIS A 6 PANS DIN 933 M6 X 12 MM 1.4301 |
| 0341012 | FEDERRING 6 | SPRING RING 6 | RESSORT 6 |
| 8100131 | U-SCHEIBE Ø38XØ24,1X1 1.4301 | SUPPORT DISC Ø38XØ24,1X1 1.4301 | RONDELLE Ø38XØ24,1X1 1.4301 |
| 0340006 | U-SCHEIBE MS. VERN. Ø18XØ8,4X2 | WASHER BRASS NICKELLED Ø18XØ8,4X2 | RONDELLE EN LAITON NICKELE Ø18XØ8,4X2 |
| 0335015 | SKT.-MUTTER M8 1.4301 | HEXAGON NUT M8 1.4301 | ECROU A 6 PANS M8 1.4301 |

6.8 WASCHPUMPE 0,55KW / 60 HZ (PW 22)



6.8 WASH PUMP 0,55KW / 60 HZ (PW22)

6.8 POMPE DE LAVAGE 0,55KW / 60 HZ (PW22)



6.8 WASCHPUMPE 0,55KW / 60 HZ (PW 22)



6.8 WASH PUMP 0,55KW / 60 HZ (PW22)

6.8 POMPE DE LAVAGE 0,55KW / 60 HZ (PW22)

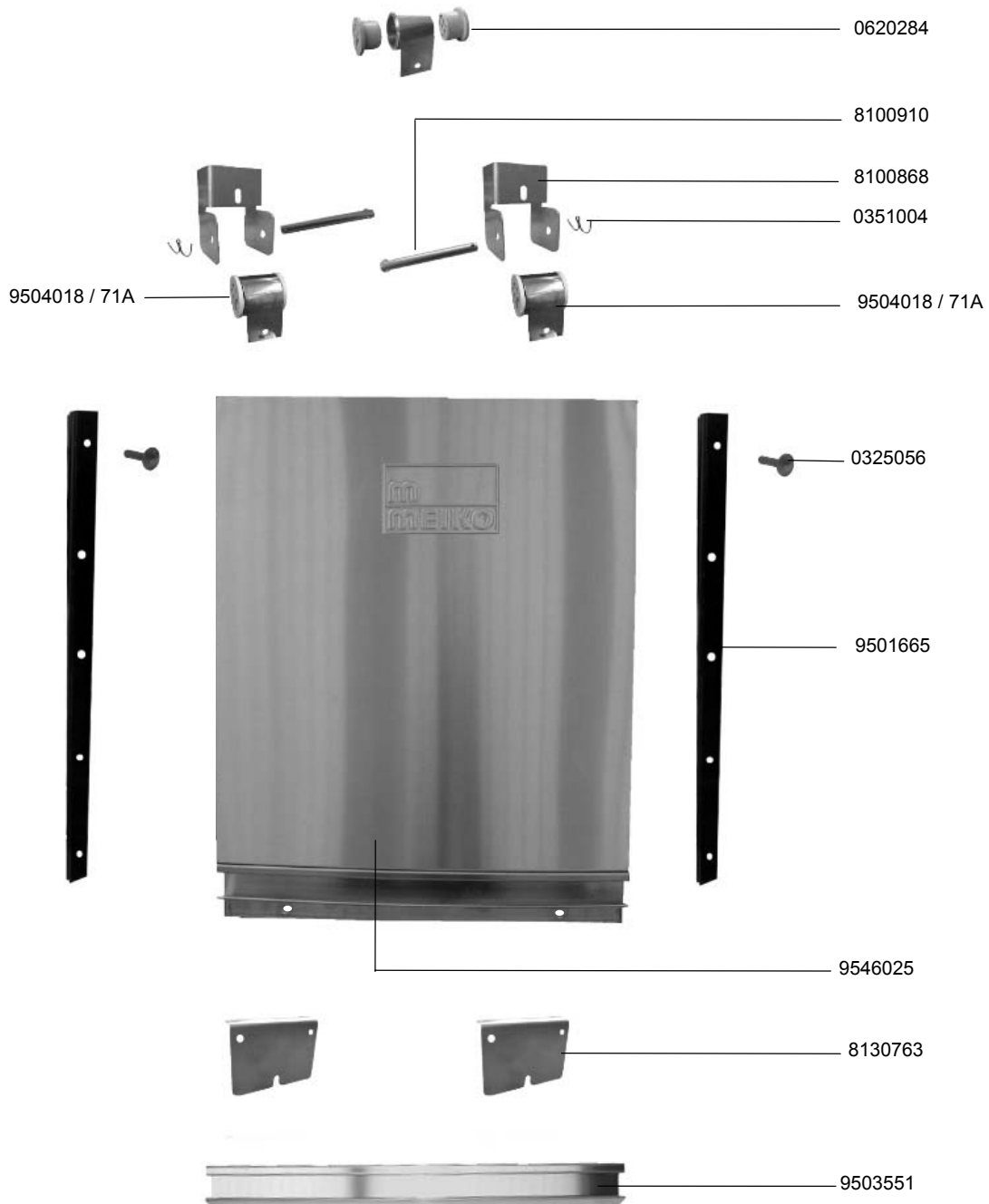
| IDENT.-NR. IDENT.-NO. | BEZEICHNUNG | DESIGNATION | DESIGNATION |
|--------------------------|---|---|------------------------------------|
| 8103473 | ADAPTER | ADAPTER | ADAPTEUR |
| 0336052 | HUTMUTTER M8 | NUT M8 | ECROU M8 |
| 0340002-H | SCHEIBE | DISK | DISQUE |
| 0337003 | MUTTER M6 | NUT M6 | ECROU M6 |
| 0340010-H | SCHEIBE | DISK | DISQUE |
| 8103477 | SCHEIBE | DISK | DISQUE |
| V 0403001 | GLEITRINGDICHTUNG 15X30 EPDM | SLIDING SEAL 19/32"X1 3/16" EPDM | JOINT AXIAL 15X30 EPDM |
| V 0403014 | GLEITRING SPR-E23 KERAMIK 15X25X6 | SLIDING RING CERAMICS 19/32"X63/64"X15/64" | BAGUE CERAMICS 15X25X6 |
| V 0403013 | GLEITR.-MANSCHETTE WINKEL 17X27X5 EPDM | ANGLE COLLAR 43/64"X1 1/16"X13/64" EPDM | MANCHETTE EN ANGLE 17X27X5 EPDM |
| 0337001-H | MUTTER M5 | NUT M5 | ECROU M5 |
| 0340001-H | SCHEIBE | DISK | DISQUE |
| * 0401042 | O-RING | O-RING | BAGUE |
| * 0401070 | O-RING | O-RING | BAGUE |
| 8103476 | ANSAUGSIEB | SUCTION SIEVE | FILTRE DE ASPIRATION |
| * 9531816 | MOTOR 208-230V | MOTOR 208-230V | MOTEUR 208-230V |
| * 9531706 | MOTOR 460V | MOTOR 460V | MOTEUR 460V |
| 0335050 | MUTTER M8 | NUT M8 | ECROU M8 |
| 8103487 | TRÄGER | SUPPORT | SUPPORT |
| 8103584 | MOTORTRÄGER | MOTOR SUPPORT | SUPPORT DE MOTEUR |
| 8103674 | DISTANZHÜLSE | SPACER | DOVILLE DE ECARTEMENT |
| 8103475 | PUMPENBODEN KOMPL. 0,55KW | PUMP BASE CPL. 0,55KW | READY FOND DE POMPE CPL. 0,55KW |
| * 8130697 | PUMPENRAD | IMPELLER | ROUE DE POMPE |
| 9501447 | PUMPENDECKEL | PUMP LID | COUVERCLE DE POMPE |
| 0308210-H | SCHRAUBE M6X10 | SCREW M6X10 | VIS M6X10 |

8.4 TÜR K44 (788)



8.4 DOOR K44 31 1/32" (788)

8.4 PORTE K44 (788)



8.4 TÜR K44 (788)



8.4 DOOR K44 31 1/32" (788)

8.4 PORTE K 44 (788)

| IDENT.-NR. IDENT.-NO. | BEZEICHNUNG | DESIGNATION | DESIGNATION |
|--------------------------|--|---|--|
| * 0620284 | LAGERROLLE 1/2" | SUPPORT ROLL 1/2" | ROULEAU DE SUPPORT 1/2" |
| 8100910 | LAGERBOLZEN KURZ Ø8X78 | BOLT SHORT Ø5/16"X3 5/64" | BOULON Ø8X78 |
| 8100868 | ROLLFEDERHALTERUNG | SCROLL SPRING SUPPORT | SUPPORT POUR RESSORT A CROSSE |
| * 0351004-H | SPLINT | SPLIT | GOUPILLE |
| V 9504018 | ROLLFEDER 71A BEZEICHNUNG DER FEDER (71A) AN BOHRUNG EINGRAVIERT | ROLLER SPRING 71A THE DESIGNATION OF THE SPRING (71A) IS ENGRAVED AT THE BORING | ROULEAU A TROU 71A LA DESIGNATION DU RESSORT (71A) EST GRAVEE AU PERÇAGE |
| 0325056-H | SCHRAUBE M5X30 | SCREW M5X30 | VIS M5X30 |
| 9501665 | FÜHRUNGSSCHIENE | GUIDE RAIL | RAIL DE GUIDAGE |
| 9546025 | TÜR | DOOR | PORTE |
| 8130763 | TÜRANSCHLAG | DOOR CATCH | ARRET DE PORTE |
| 9503551 | TÜRGRIFFPROFIL TÜR 788MM | DOOR HANDLE PROFILE DOOR 31 1/32" | PROFILE DE POIGNEE DE PORTE, PORTE 788MM |

Door Springs for K-44 High Hood:
0431076 = 53N quantity 4

Positions of Springs:
53N 53N 53N 53N

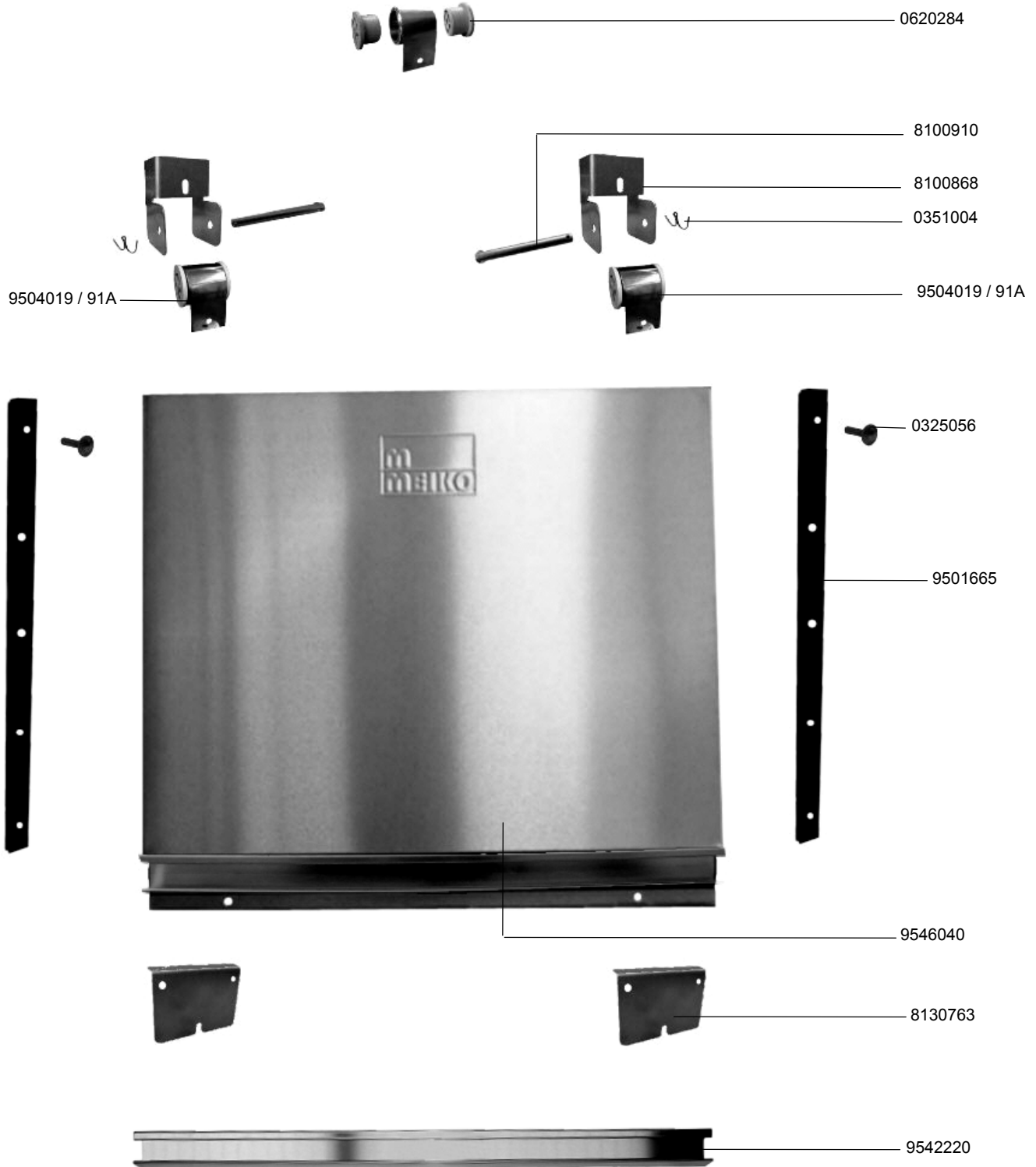
Door Safety Magnet
0620420 - Magnet Housing
0140200 - Magnet

8.5 TÜR K54 (1042)



8.5 DOOR K54 41 1/32" (1042)

8.5 PORTE K54 (1042)



8.5 TÜR K54 (1042)



8.5 DOOR K54 41 1/32" (1042)

8.5 PORTE K54 (1042)

| IDENT.-NR. IDENT.-NO. | BEZEICHNUNG | DESIGNATION | DESIGNATION |
|--------------------------|---|---|--|
| * 0620284 | LAGERROLLE 1/2" | SUPPORT ROLL 1/2" | ROULEAU DE SUPPORT 1/2" |
| 8100910 | LAGERBOLZEN KURZ Ø8X78 | BOLT SHORT Ø5/16"X3 5/64" | BOULON Ø8X78 |
| 8100868 | ROLLFEDERHALTERUNG | SCROLL SPRING SUPPORT | SUPPORT POUR RESSORT A CROSSE |
| * 0351004-H | SPLINT | SPLIT | GOUPILLE |
| V 9504019 | ROLLFEDER 91A BEZEICHNUNG DER FEDER (91A) AN BOHRUNG INGRAVIERT | ROLLER SPRING 91A THE DESIGNATION OF THE SPRING (91A) IS ENGRAVED AT THE BORING | ROULEAU A TROU 91A LA DESIGNATION DU RESSORT (91A) EST GRAVEE AU PERÇAGE |
| 0325056-H | SCHRAUBE M5X30 | SCREW M5X30 | VIS M5X30 |
| 9501665 | FÜHRUNGSSCHIENE | GUIDE RAIL | RAIL DE GUIDAGE |
| 9546040 | TÜR | DOOR | PORTE |
| 8130763 | TÜRANSCHLAG | DOOR CATCH | ARRET DE PORTE |
| 9542220 | TÜRGRIFFFPROFIL TÜR 1042MM | DOOR HANDLE PROFILE DOOR 41 1/32" | PROFILE DE POIGNEE DE PORTE, PORTE 1042MM |

Door Springs for K-54 High Hood:
0431076 = 53N quantity 2
0431077 = 73N quantity 2

Positions of Springs:
73N 53N 53N 73N

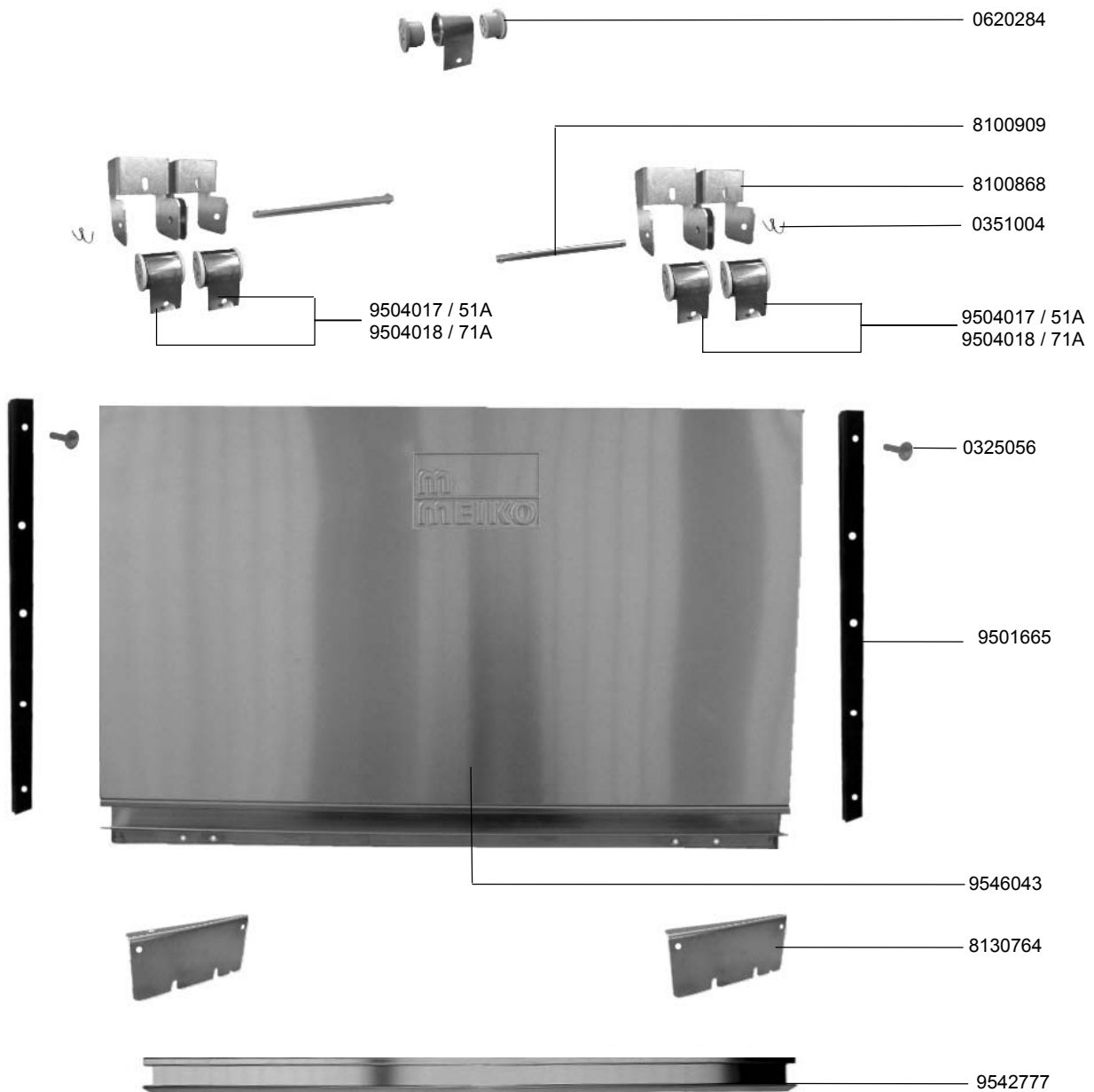
Door Safety Magnet
0620420 - Magnet Housing
0140200 - Magnet

8.6 TÜR K64 (1296)



8.6 DOOR K64 51 1/32" (1296)

8.6 PORTE K64 (1296)



8.6 TÜR K64 (1296)



8.6 DOOR K64 51 1/32" (1296)

8.6 PORTE K64 (1296)

| IDENT.-NR. IDENT.-NO. | BEZEICHNUNG | DESIGNATION | DESIGNATION |
|--------------------------|---|--|---|
| * 0620284 | LAGERROLLE 1/2" | SUPPORT ROLL 1/2" | ROULEAU DE SUPPORT 1/2" |
| 8100909 | LAGERBOLZEN LANG Ø8X149 | BOLT LONG Ø5/16"X5 55/64" | BOULON Ø8X149 |
| 8100868 | ROLLFEDERHALTERUNG | SCROLL SPRING SUPPORT | SUPPORT POUR RESSORT A CROSSE |
| * 0351004-H | SPLINT | SPLIT | GOUPILLE |
| V 9504017 | ROLLFEDER 51A BEZEICHNUNG DER FEDER (51A) AN BOHRUNG INGRAVIERT | ROLLER SPRING 51A THE DESIGNATION OF THE SPRING (51A) IS ENGRAVED AT THE BORING. | ROULEAU A TROU 51A LA DESIGNATION DU RESSORT (51A) EST GRAVEE AU PERÇAGE. |
| V 9504018 | ROLLFEDER 71A BEZEICHNUNG DER FEDER (71A) AN BOHRUNG INGRAVIERT | ROLLER SPRING 71A THE DESIGNATION OF THE SPRING (71A) IS ENGRAVED AT THE BORING. | ROULEAU A TROU 71A LA DESIGNATION DU RESSORT (71A) EST GRAVEE AU PERÇAGE. |
| 0325056-H | SCHRAUBE M5X30 | SCREW M5X30 | VIS M5X30 |
| 9501665 | FÜHRUNGSSCHIENE | GUIDE RAIL | RAIL DE GUIDAGE |
| 9546043 | TÜR | DOOR | PORTE |
| 8130764 | TÜRANSCHLAG | DOOR CATCH | ARRET DE PORTE |
| 9542777 | TÜRGRIFFPFIL TÜR 1296MM | DOOR HANDLE PROFILE DOOR 51 1/32" | PROFILE DE POIGNEE DE PORTE, PORTE 1296MM |

Door Springs for K-64 High Hood:

0431076 = 53N quantity 2

0431078 = 93N quantity 2

Positions of Springs:

93N 53N 53N 93N

Door Safety Magnet

0620420 - Magnet Housing

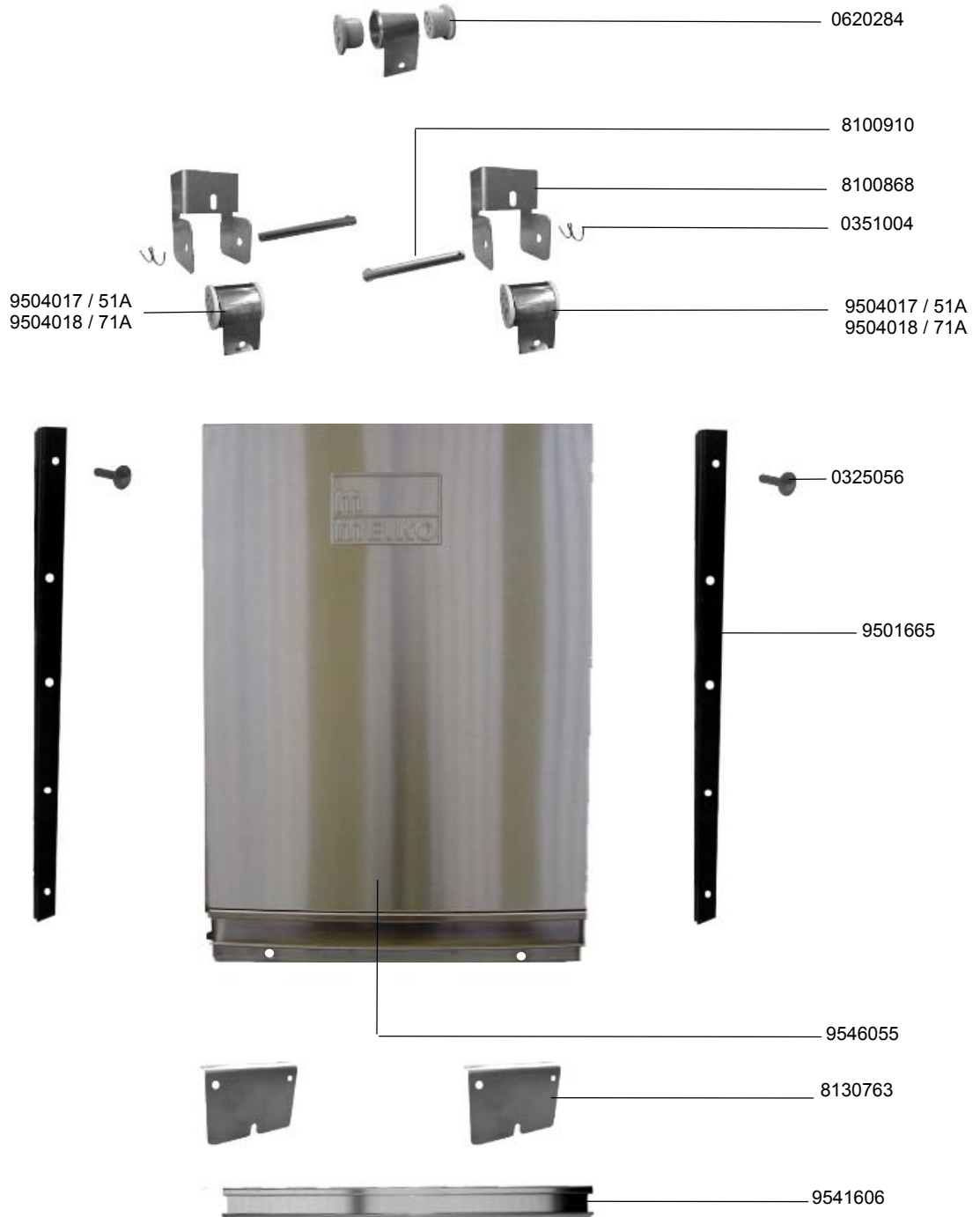
0140200 - Magnet

8.7 TÜR PW22 (546,8)



8.7 DOOR PW22 21 17/32" (546,8)

8.7 PORTE PW22 (546,8)



8.7 TÜR PW22 (546,8)



8.7 DOOR PW22 21 17/32" (546,8)

8.7 PORTE PW22 (546,8)

| IDENT.-NR. IDENT.-NO. | BEZEICHNUNG | DESIGNATION | DESIGNATION |
|--------------------------|--|---|--|
| * 0620284 | LAGERROLLE 1/2" | SUPPORT ROLL 1/2" | ROULEAU DE SUPPORT 1/2" |
| 8100910 | LAGERBOLZEN KURZ Ø8X78 | BOLT SHORT Ø5/16"X3 5/64" | BOULON Ø8X78 |
| 8100868 | ROLLFEDERHALTERUNG | SCROLL SPRING SUPPORT | SUPPORT POUR RESSORT A CROSSE |
| * 0351004-H | SPLINT | SPLIT | GOUPILLE |
| V 9504017 | ROLLFEDER 51A BEZEICHNUNG DER FEDER (51A) AN BOHRUNG EINGRAVIERT | ROLLER SPRING 51A THE DESIGNATION OF THE SPRING (51A) IS ENGRAVED AT THE BORING | ROULEAU A TROU 51A LA DESIGNATION DU RESSORT (51A) EST GRAVEE AU PERÇAGE |
| V 9504018 | ROLLFEDER 71A BEZEICHNUNG DER FEDER (71A) AN BOHRUNG EINGRAVIERT | ROLLER SPRING 71A THE DESIGNATION OF THE SPRING (71A) IS ENGRAVED AT THE BORING | ROULEAU A TROU 71A LA DESIGNATION DU RESSORT (71A) EST GRAVEE AU PERÇAGE |
| 0325056-H | SCHRAUBE M5X30 | SCREW M5X30 | VIS M5X30 |
| 9501665 | FÜHRUNGSSCHIENE | GUIDE RAIL | RAIL DE GUIDAGE |
| 9546055 | TÜR | DOOR | PORTE |
| 8130763 | TÜRANSCHLAG | DOOR CATCH | ARRET DE PORTE |
| 9541606 | TÜRGRIFFPFIL TÜR 546,8MM | DOOR HANDLE PROFILE DOOR 21 17/32" | PROFILE DE POIGNEE DE PORTE, PORTE 546,8MM |

Door Springs for PW22 High Hood:
0431077 = 73N quantity 2

Positions of Springs:
73N 73N

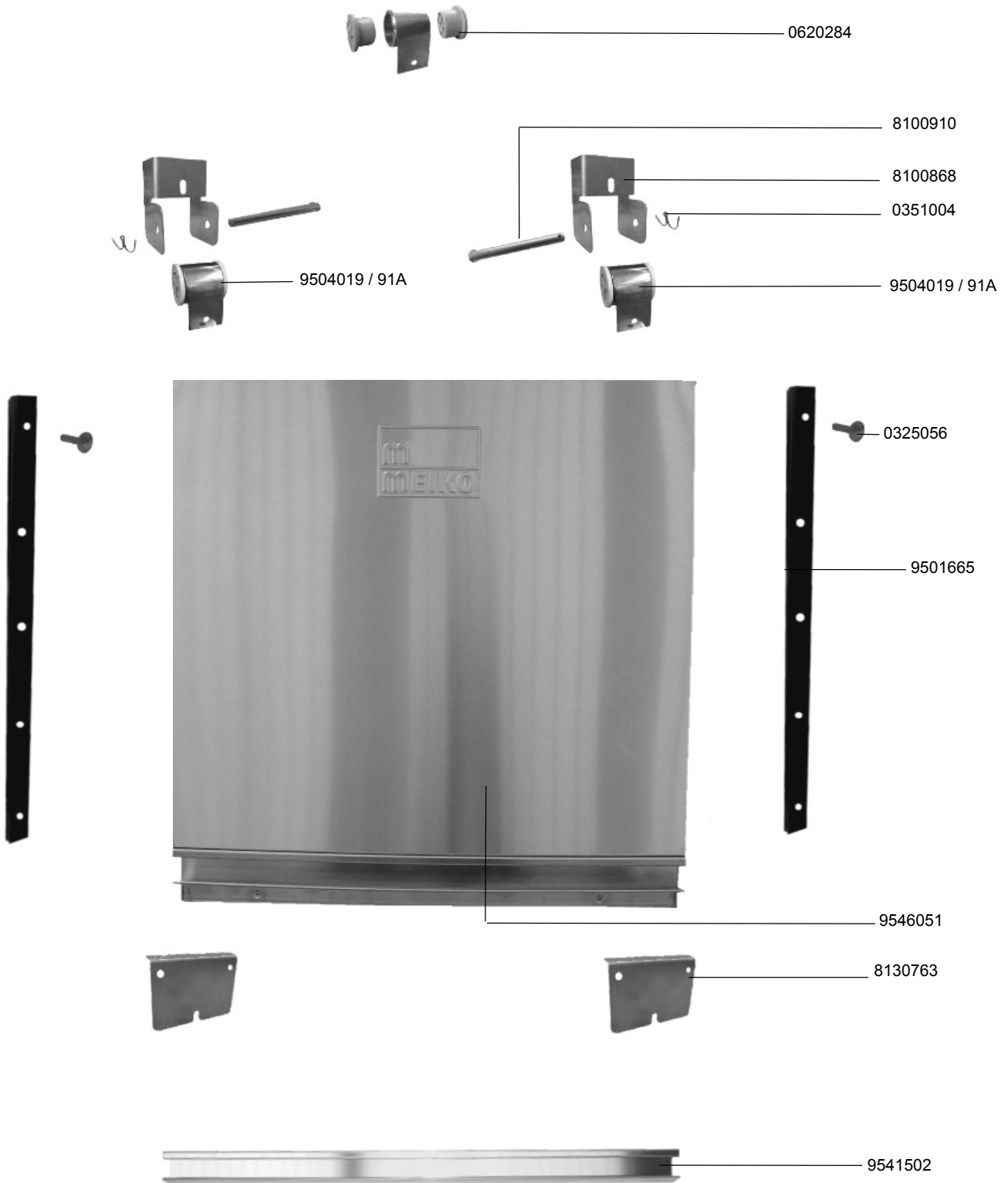
Door Safety Magnet
0620420 - Magnet Housing
0140200 - Magnet

8.8 TÜR PW36 (902,4)



8.8 DOOR PW36 35 17/32" (902,4)

8.8 PORTE PW36 (902,4)



8.8 TÜR PW36 (902,4)



8.8 DOOR PW36 35 17/32" (902,4)

8.8 PORTE PW36 (902,4)

| IDENT.-NR. IDENT.-NO. | BEZEICHNUNG | DESIGNATION | DESIGNATION |
|--------------------------|--|--|---|
| * 0620284 | LAGERROLLE 1/2" | SUPPORT ROLL 1/2" | ROULEAU DE SUPPORT 1/2" |
| 8100910 | LAGERBOLZEN KURZ Ø8X78 | BOLT SHORT Ø5/16"X3 5/64" | BOULON Ø8X78 |
| 8100868 | ROLLFEDERHALTERUNG | SCROLL SPRING SUPPORT | SUPPORT POUR RESSORT A CROSSE |
| * 0351004-H | SPLINT | SPLIT | GOUPILLE |
| V 9504019 | ROLLFEDER 91A BEZEICHNUNG DER FEDER (91A) AN BOHRUNG EINGRAVIERT | ROLLER SPRING 91A THE DESIGNATION OF THE SPRING (91A) IS ENGRAVED AT THE BORING. | ROULEAU A TROU 91A LA DESIGNATION DU RESSORT (91A) EST GRAVEE AU PERÇAGE. |
| 0325056-H | SCHRAUBE M5X30 | SCREW M5X30 | VIS M5X30 |
| 9501665 | FÜHRUNGSSCHIENE | GUIDE RAIL | RAIL DE GUIDAGE |
| 9546051 | TÜR | DOOR | PORTE |
| 8130763 | TÜRANSCHLAG | DOOR CATCH | ARRET DE PORTE |
| 9541502 | TÜRGRIFFPROFIL TÜR 902,4MM | DOOR HANDLE PROFILE DOOR 35 17/32" | PROFILE DE POIGNEE DE PORTE, PORTE 902,4MM |

Door Springs for PW36 High Hood:

0431076 = 53N quantity 2

0431077 = 73N quantity 2

Positions of Springs:

73N 53N 53N 73N

Door Safety Magnet

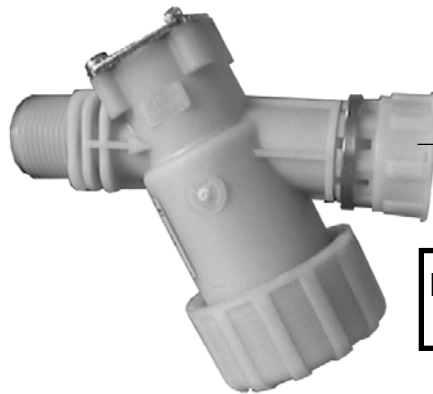
0620420 - Magnet Housing

0140200 - Magnet

9.2 FILTER

9.2 FILTER

9.2 FILTRE



9500489

Old Style Shown

Brass Y-Strainer = 9303958

| IDENT.-NR. IDENT.-NO. | BEZEICHNUNG | DESIGNATION | DESIGNATION |
|--------------------------|-------------|-------------|-------------|
|--------------------------|-------------|-------------|-------------|

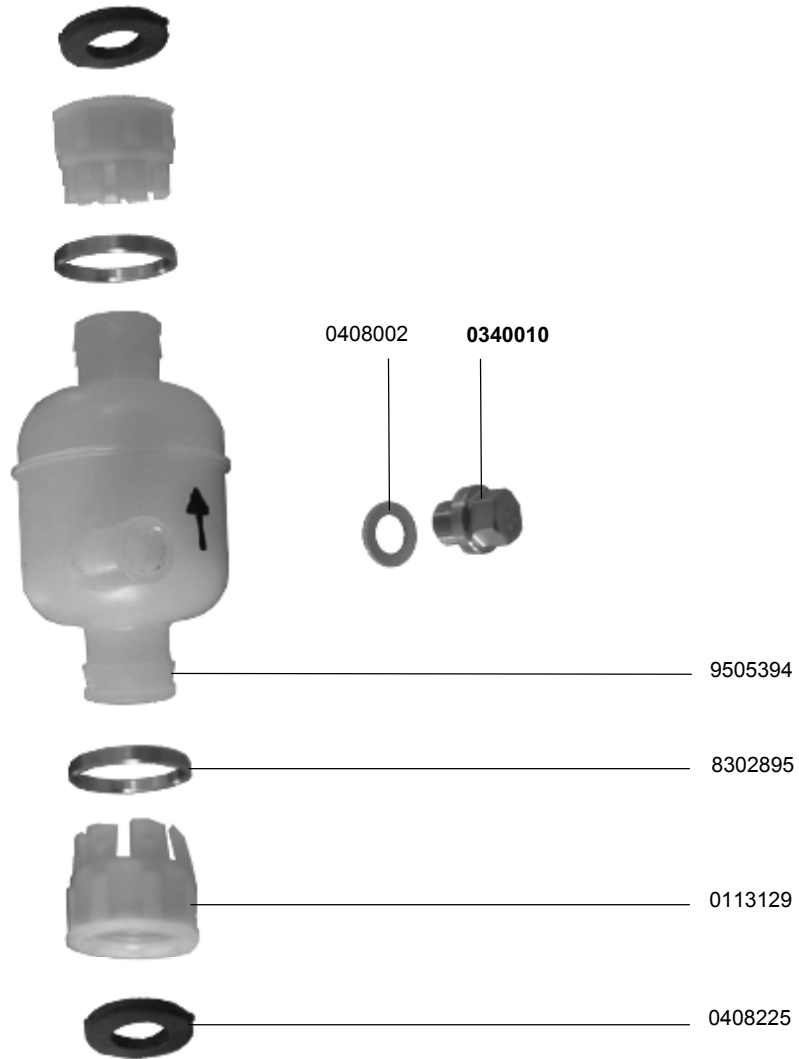
| | | | |
|---------|--------------------|----------------|-------------------------|
| 9500489 | SCHMUTZFÄNGER 3/4" | DIRT TRAP 3/4" | COLLECTEUR DE BOUE 3/4" |
|---------|--------------------|----------------|-------------------------|

9.7 NETZMITTELMISCHBEHÄLTER



9.7 RINSE-AID MIXING CHAMBER

9.7 RESERVOIR DE MELANGE DE PRODUIT DE RINCAGE



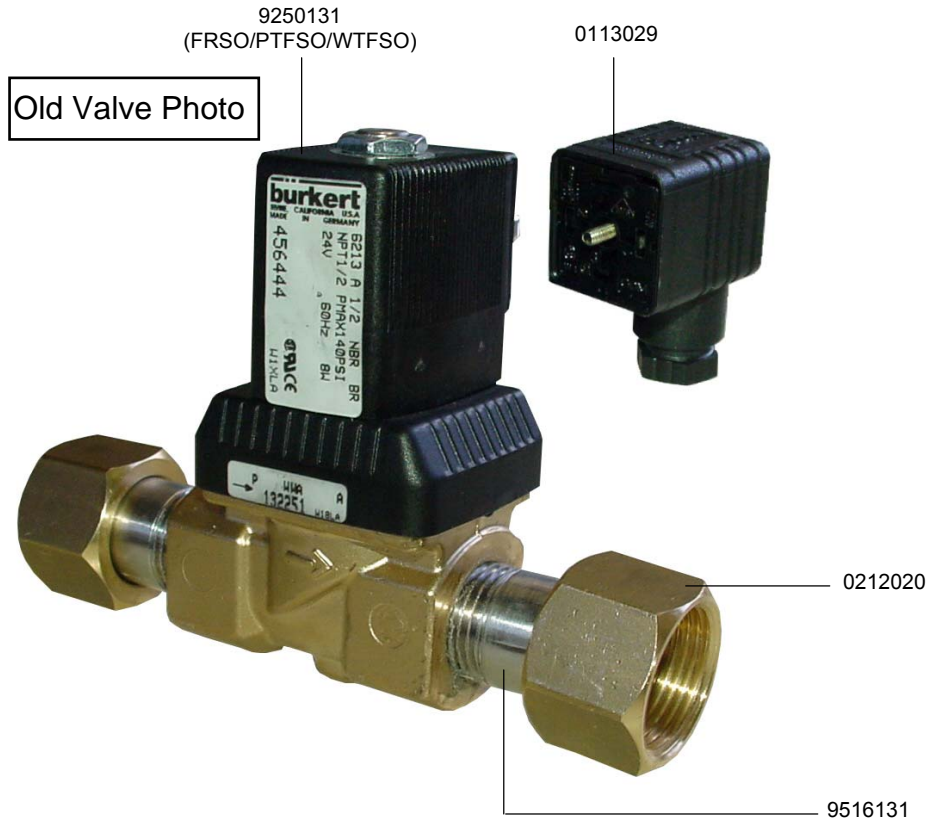
| IDENT.-NR. IDENT.-NO. | BEZEICHUNG | DESIGNATION | DESIGNATION |
|--------------------------|----------------------|---------------------|---------------------------|
| 9513107 | MISCHBEHÄLTER KPL. | MIXING CHAMBER CPL. | RESERVOIR DE MELANGE CPL. |
| 0408225 | DICHTUNG | PACKING | JOINT |
| 0113129 | ANSCHLUSSTÜCK | CONNECTION PART | PIECE DE CONNEXION |
| 8302895 | HALTERING | RING | BAGUE |
| 9505394 | MISCHBEHÄLTER | MIXING CHAMBER | RESERVOIR DE MELANGE |
| 0340010 | VERSCHLUSSRAUBE 1/8" | SCREW 1/8" | VIS 1/8" |
| 0408002 | DICHTUNG | PACKING | JOINT |

9.11 MAGNETVENTIL



9.11 SOLENOID VALVE

9.11 ELECTROVANNE



| IDENT.-NR. IDENT.-NO. | BEZEICHNUNG | DESIGNATION | DESIGNATION |
|--------------------------|----------------|----------------|--------------------|
| * 9250131 | MAGNETVENTIL | SOLENOID VALVE | ELECTROVANNE |
| 0113029 | STECKBUCHSE | TIP JACK | FICHE FEMELLE |
| 0212020 | ÜBERWURFMUTTER | SWIVEL NUT | ECROU-RACCORD |
| 9516131 | EINLEGTEIL | INSERT PART | PIECE D' INSERTION |

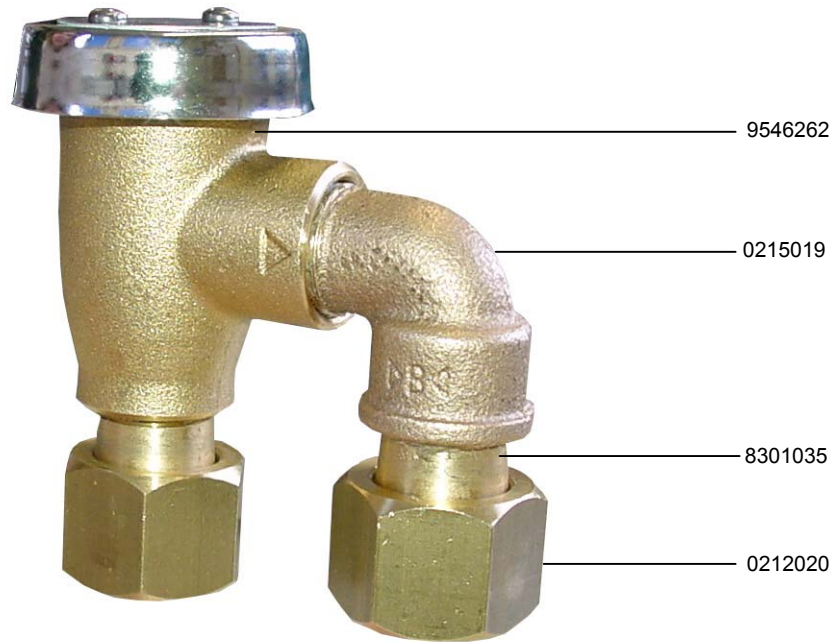
Parker Solenoid Valve Rebuild Kit = 9250138

9.12 ROHRBELÜFTER



9.12 DISCONNECTER

9.12 AE´RATEUR



| IDENT.-NR. IDENT.-NO. | BEZEICHUNG | DESIGNATION | DESIGNATION |
|--------------------------|----------------|--------------|--------------------|
| 9546262 | ROHRBELÜFTER | DISCONNECTER | AE´RATEUR |
| 0215019 | WINKEL ½" | ANGLE ½" | ANGLE ½" |
| 8301035 | EINLEGTEIL | INSERT PART | PIECE D' INSERTION |
| 0212020 | ÜBERWURFMUTTER | SWIVEL NUT | ÉCROU-RACCORD |

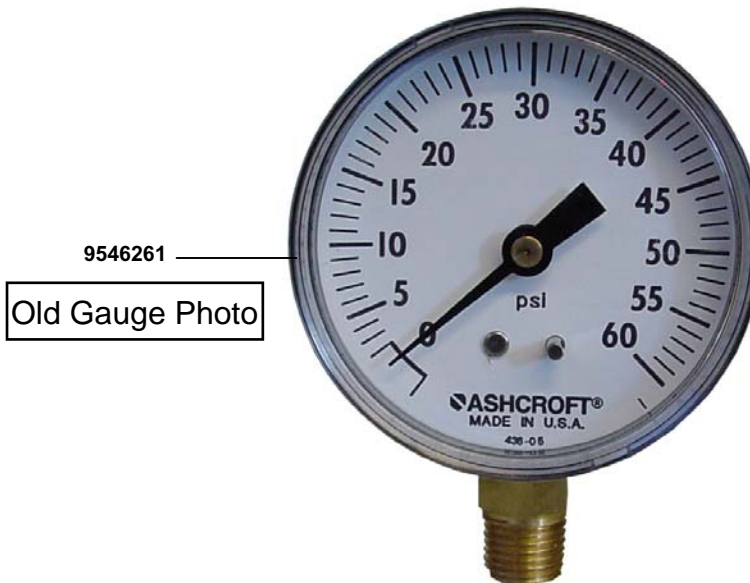
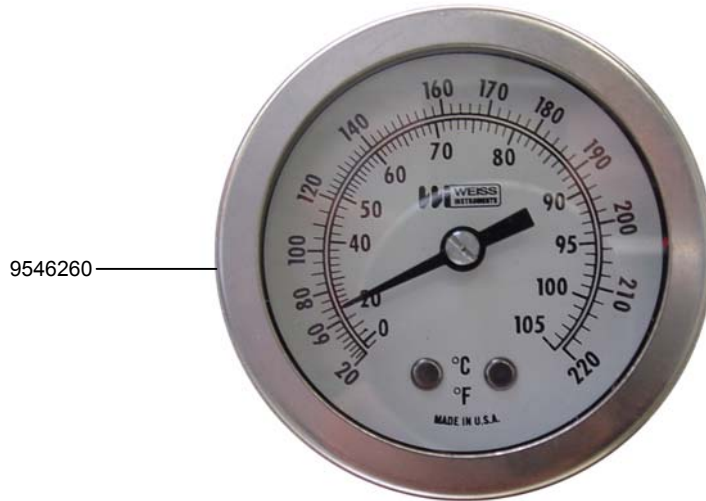
Vacuum Breaker Rebuild Kit = 9250180

9.13.1 THERMOMETER / MANOMETER



9.13.1 THERMOMETER / MANOMETER

9.13.1 THERMOMETRE / MANOMETRE



| IDENT.-NR. | BEZEICHNUNG | DESIGNATION | DESIGNATION |
|------------|-------------|-------------|-------------|
| IDENT.-NO. | | | |

- * 9546260 THEROMOTETER THERMOMETER THERMOMETRE
- * 9546261 MANOMETER MANOMETER MANOMETRE

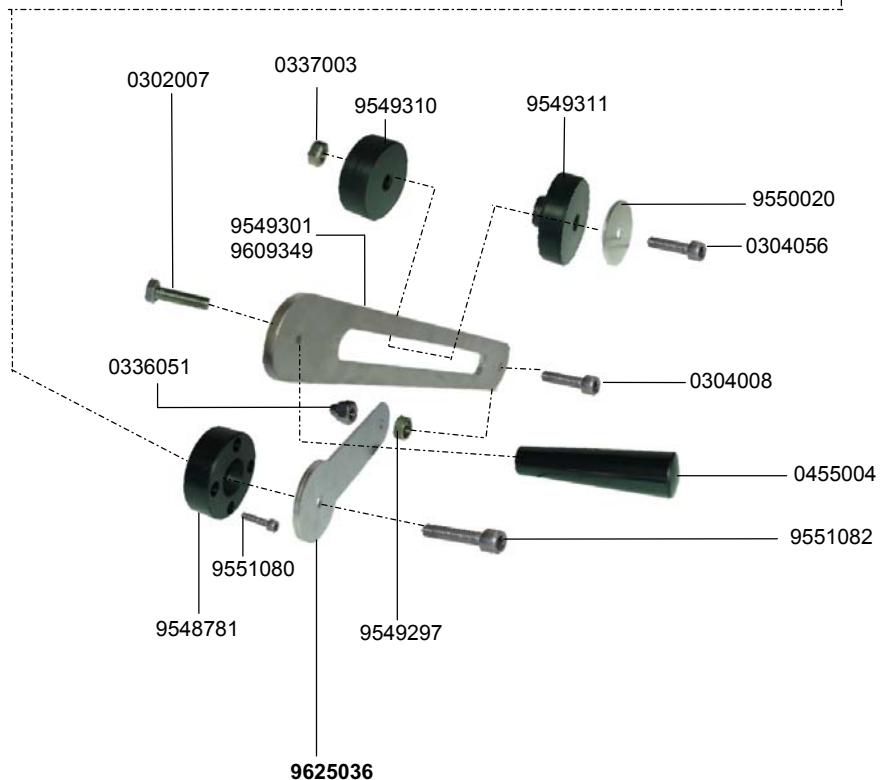
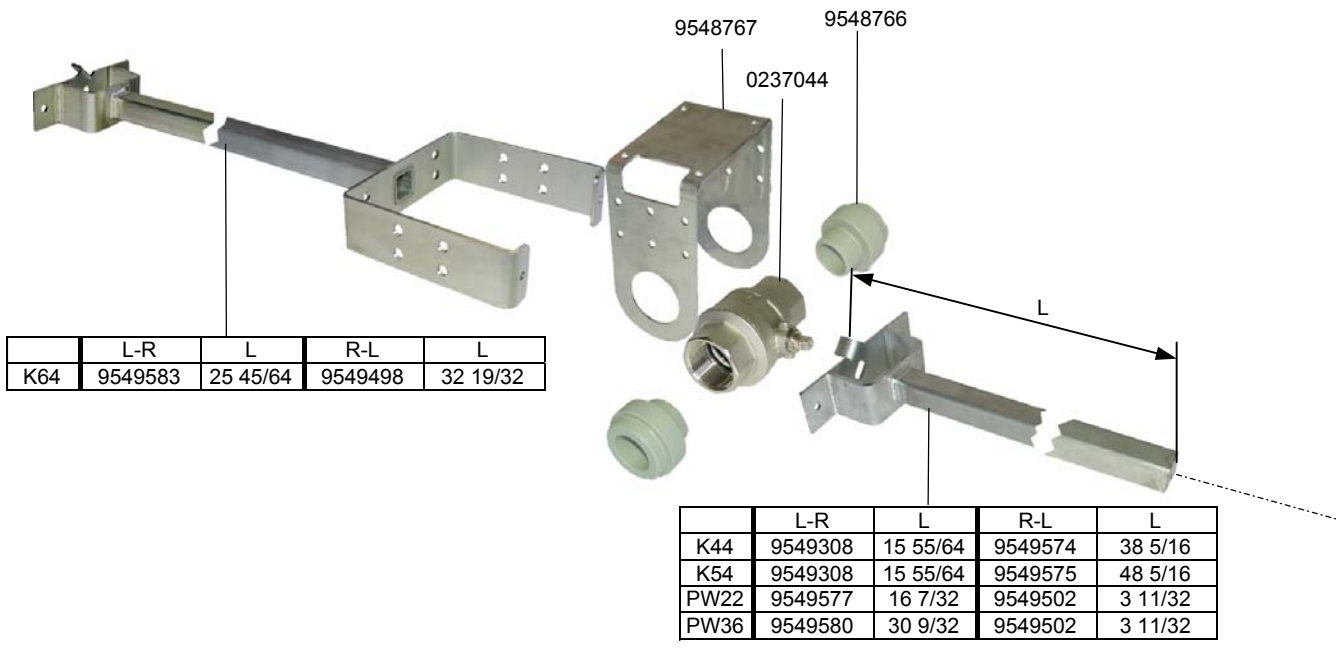
9207019 - Pressure Regulating Valve (PRV)

9.14 ZENTRALE ABLAUFVERROHRUNG



9.14 CENTRALDRAIN PIPNG

9.14 CONNEXIONCENTRALE DE VIDANGE



9.14 ZENTRALE ABLAUFVERROHRUNG



9.14 CENTRALDRAIN PIPNG

9.14 CONNEXIONCENTRALE DE VIDANGE

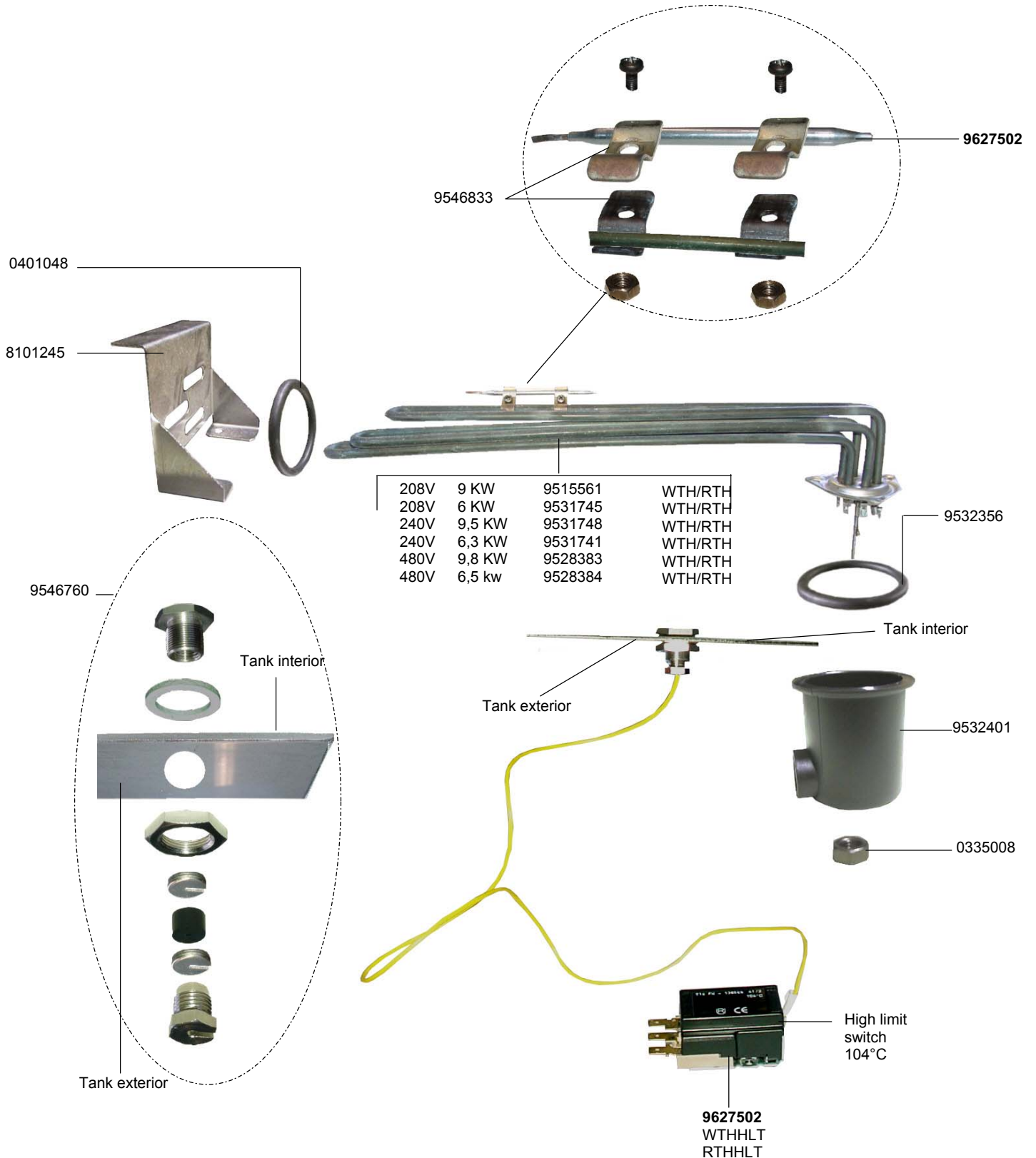
| IDENT.-NR. IDENT.-NO. | BEZEICHNUNG | DESIGNATION | DESIGNATION |
|--------------------------|--------------------------------------|---|---|
| 9548767 | HALTEBLECH | FIXING PANEL | TOLE DE SUPPORT |
| 0237044 | KUGELHAHN | BALL VALVE | ROBINET A BOISSEAU SPHERIQUE |
| 9548766 | REDUZIERMUFFE | REDUCING SOCKET | MANCHON DE REDUCTION |
| 0302007 | SKT-SCHRAUBE | HEXAGON SCREW M8X20 | VIS A 6 PANS M8X20 |
| 0455004 | GRIFF | HANDLE | POIGNÉE |
| 9550020 | SCHEIBE | DISK | DISQUE |
| 0337003 | SECHSKANTMUTTER SS M6 | HEXAGON NUT M6 | ECROU A 6 PANS M6 |
| 9549310 | LAGER | BEARING | PALIER |
| 9549311 | LAGER | BEARING | PALIER |
| 0304056 | IMBUSSCHRAUBE M 6X45 | HEXAGON SOCKET SCREW | VIS A SIX PANS CREUX |
| 0304008 | IMBUSSCHRAUBE M 6X16 | HEXAGON SOCKET SCREW | VIS A SIX PANS CREUX |
| 9549297 | BUCHSE | BUSH | DOUILLE |
| 9551080 | ZYLINDERSCHRAUBE M5X20 | FILLISTER HEAD SCREW M5X20 | VIS A TETE CYLINDRIQUE M5X20 |
| 9551082 | ZYLINDERSCHRAUBE | FILLISTER HEAD SCREW M10X20 | VIS A TETE CYLINDRIQUE M10X20 |
| 9548781 | GLEITLAGER | SLIDING BEARING | PALIER LISSE |
| 0336051-H | HUTMUTTER M6 | CAP NUT | ÉCROU BORGNE |
| 9549308 | HEBEL L-R (K44/K54) | LEVER L-R (K44/K54) | LEVIER L-R (K44/K54) |
| 9549574 | HEBEL R-L (K44) | LEVER R-L (K44) | LEVIER R-L (K44) |
| 9549575 | HEBEL R-L (K54) | LEVER R-L (K54) | LEVIER R-L (K54) |
| 9549577 | HEBEL L-R (PW 22) | LEVER L-R (PW 22) | LEVIER L-R (PW 22) |
| 9549580 | HEBEL L-R (PW 36) | LEVER L-R (PW 36) | LEVIER L-R (PW 36) |
| 9549502 | HEBEL R-L (PW 22 / PW 36) | LEVER R-L (PW 22 / PW 36) | LEVIER R-L (PW 22 / PW 36) |
| 9549583 | HEBEL L-R (K64) | LEVER L-R (K64) | LEVIER L-R (K64) |
| 9549498 | HEBEL R-L (K64) | LEVER R-L (K64) | LEVIER R-L (K64) |
| 9625036 | HEBEL | LEVER | LEVIER |
| 9549301 | HEBEL STANDARD | LEVER STANDARD | LEVIER STANDARD |
| 9609349 | HEBEL NUR IN VERBINDUNG MIT KURVE | LEVER ONLY IN CONNECTION WITH A CURVE | LEVIER SEULEMENT EN CONNEXION AVEC UNE COURBE |

10.3 TANKHEIZUNG ELEKTRISCH (HIGH LIMIT SWITCH)



10.3 TANK HEATING ELEMENT, ELECTRICAL (HIGH LIMIT SWITCH)

10.3 RESISTANCE DU BAC, ELECTRIQUE (HIGH LIMIT SWITCH)



10.3 TANKHEIZUNG, ELEKTRISCH (HIGH LIMIT SWITCH)



10.3 TANK HEATING ELEMENT, ELECTRICAL (HIGH LIMIT SWITCH)

10.3 RESISTANCE DU BAC, ELECTRIQUE (HIGH LIMIT SWITCH)

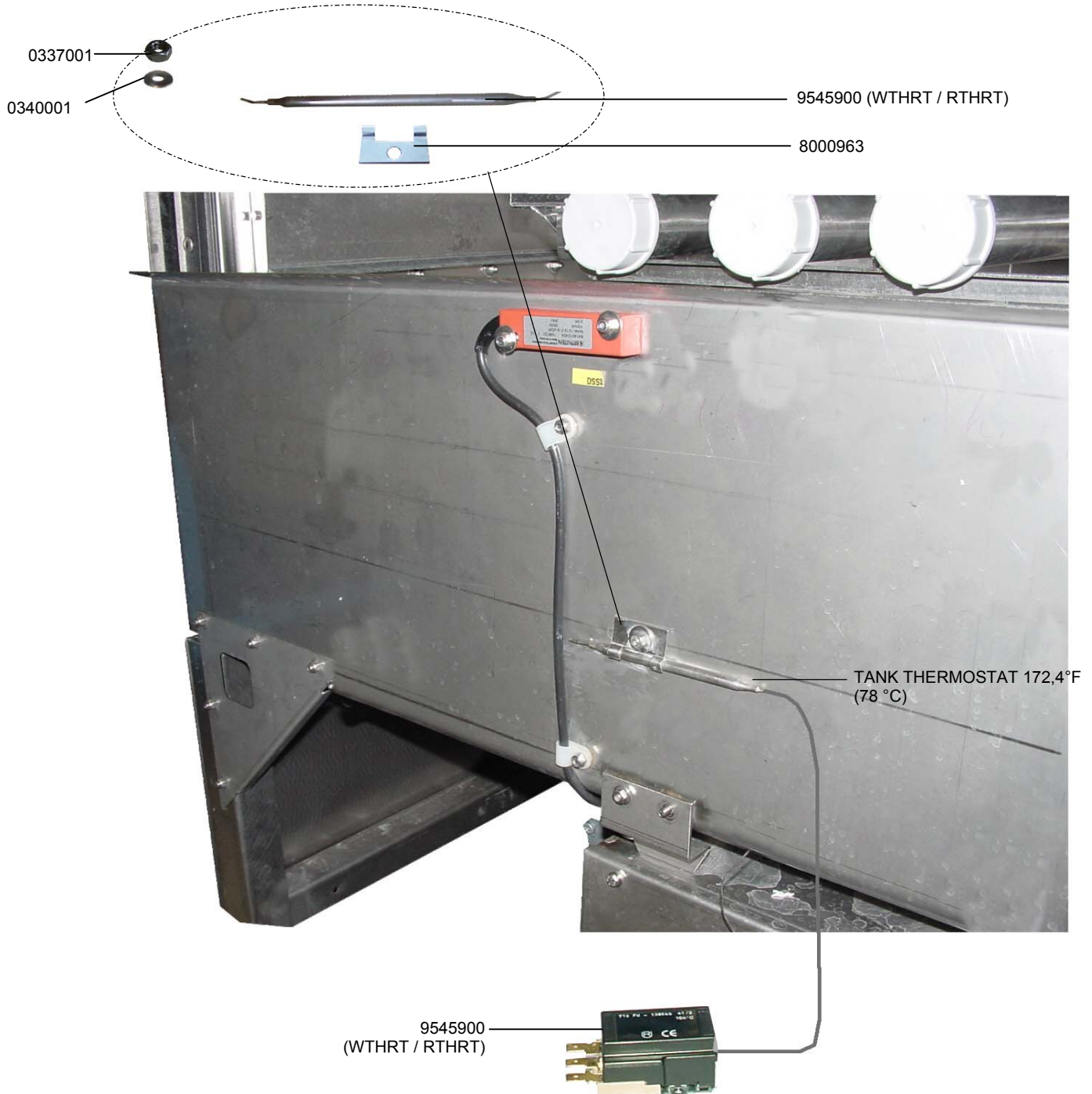
| IDENT.-NR. IDENT.-NO. | BEZEICHNUNG | DESIGNATION | DESIGNATION |
|--------------------------|---------------------------|----------------------------|--------------------------------|
| * 9627502 | TEMPERATURREGLER 104°C | HIGH LIMIT SWITCH 219,2°F | CONTRÔLE DE TEMPÉRATURE 104°C |
| 9546833 | DOPPELSCHELLE | TWIN SADDLE | COLLIER DOUBLE |
| * 9532356 | O-RING | O-RING | BAGUE EN FORME "O" |
| 9532401 | HEIZSTABABDECKUNG | HEATING ELEMENT COVERED | ELEMENT DE CHAUFFAGE RECOUVERT |
| 0335008-H | SKT.MUTTER M5 | HEXAGON NUT M5 | ECROU A 6 PANS M5 |
| * 9546760 | DICHTUNGSSATZ | SEAL SET | JEU DE GARNITURES D'ETANCHEITE |
| 8101245 | BEFESTIGUNG | FIXATION | FIXATION |
| * 0401048 | O-RING | O-RING | BAGUE |
| * 9515561 | TANKHEIZUNG 208V / 9 KW | TANK HEATING 208V / 9 KW | CHAUFFAGE DE BAC 208V / 9 KW |
| * 9531745 | TANKHEIZUNG 208V / 6 KW | TANK HEATING 208V / 6 KW | CHAUFFAGE DE BAC 208V / 6 KW |
| * 9531748 | TANKHEIZUNG 240V / 9,5 KW | TANK HEATING 240V / 9,5 KW | CHAUFFAGE DE BAC 240V / 9,5 KW |
| * 9531741 | TANKHEIZUNG 240V / 6,3 KW | TANK HEATING 240V / 6,3 KW | CHAUFFAGE DE BAC 240V / 6,3 KW |
| * 9528383 | TANKHEIZUNG 480V / 9,8 KW | TANK HEATING 480V / 9,8 KW | CHAUFFAGE DE BAC 480V / 9,8 KW |
| * 9528384 | TANKHEIZUNG 480V / 6,5 KW | TANK HEATING 480V / 6,5 KW | CHAUFFAGE DE BAC 480V / 6,5 KW |

10.4 TANKHEIZUNG ELEKTRISCH (TANK THERMOSTAT)



10.4 TANK HEATING ELEMENT, ELECTRICAL (TANK THERMOSTAT)

10.4 RESISTANCE DU BAC, ELECTRIQUE (TANK THERMOSTAT)



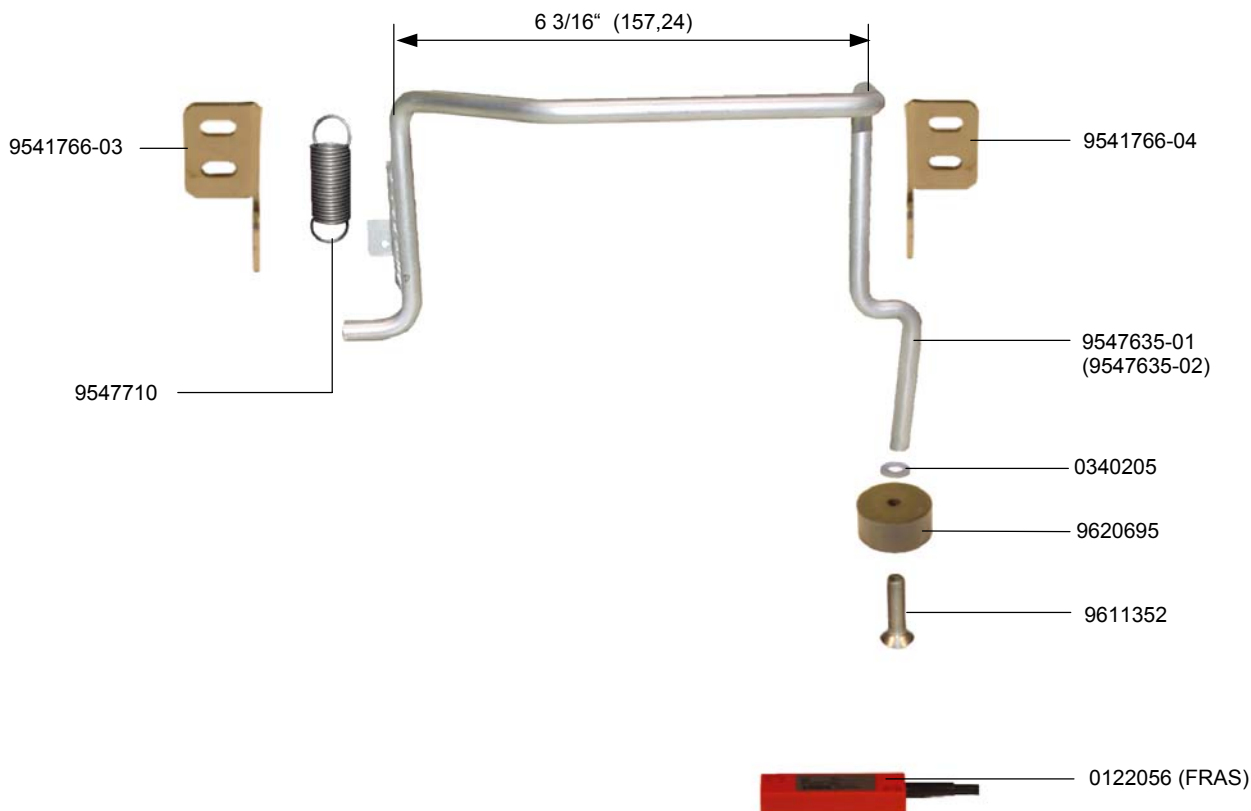
| IDENT.-NR. IDENT.-NO. | BEZEICHNUNG | DESIGNATION | DESIGNATION |
|--------------------------|-------------|-------------|-------------|
|--------------------------|-------------|-------------|-------------|

| | | | |
|-----------|-----------------------|---------------------------|------------------------------|
| * 9545900 | TEMPERATURREGLER 78°C | HIGH LIMIT SWITCH 172,4°F | CONTROLE DE TEMPERATURE 78°C |
| 8000963 | HALTER | FIXATION | FIXATION |
| 0340001 | SCHEIBE | DISK | DISQUE |
| 0337001-H | SKT.MUTTER M5 | HEXAGON NUT M5 | ECROU A 6 PANS M5 |

11.1 TAKTSCHALTER NACHSPÜLZONE (K44 / K54 / K64)

11.1 INTERVAL SWITCH FINAL RINSE SECTION (K44 / K54 / K64)

11.1 INTERRUPTEUR DE SYNCHRONISATION ZONE DE RINÇAGE (K44/K54/K64)



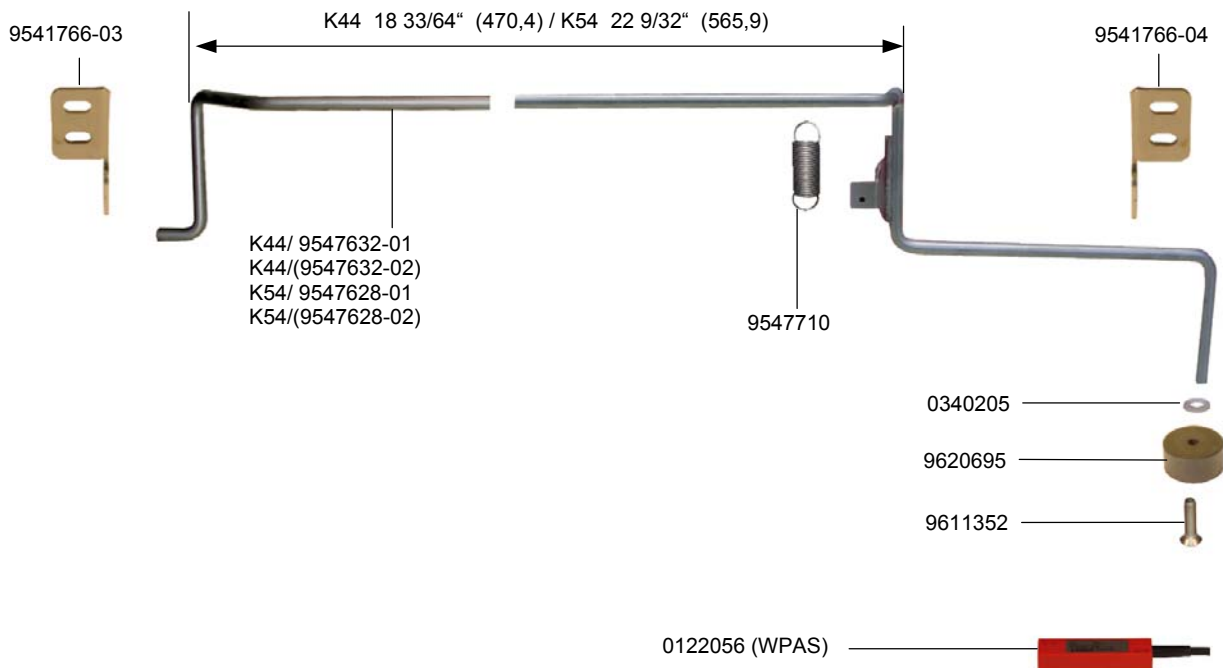
| IDENT.-NR. IDENT.-NO. | BEZEICHNUNG | DESIGNATION | DESIGNATION |
|--------------------------|---|------------------------------------|---|
| 9541766-03 | LAGERWINKEL | BEARING ANGLE | ANGLE DE LOGEMENT |
| 9541766-04 | LAGERWINKEL | BEARING ANGLE | ANGLE DE LOGEMENT |
| 9547635-01 | SCHALTSCHLEIFER L-R | SLIDER SWITCH L-R | INTERRUPTEUR ECONOMISEUR G-D |
| 9547635-02 | SCHALTSCHLEIFER R-L NICHT ABGEBILDET | SLIDER SWITCH R-L NOT DISPLAYED | INTERRUPTEUR ECONOMISEUR D-G PAS D'IMAGE |
| 0340205 | UNTERLEGSCHLEIBE | WASHER | RONDELLE |
| * 9620695 | RINGMAGNET | RING MAGNET | AIMANT ROND |
| 9611352 | SENKSCHRAUBE M5X20 | FLAT HEAD SCREW M5X20 | VIS A TETE FRAISEE M5X20 |
| * 0122056 | GRENZTASTER | LIMIT SWITCH | INTERRUPTEUR LIMITEUR |
| * 9547710 | SCHENKELFEDER | TORSION SPRING | RESSORT DE TORSION |

11.2 TAKTSCHALTER HAUPTWASCHZONE (K44 / K54)



11.2 INTERVAL SWITCH MAIN WASH ZONE (K44 / K54)

11.2 INTERRUPTEUR DE SYNCHRONISATION ZONE DE LAVAGE PRINCIPALE (K 44 / K54)



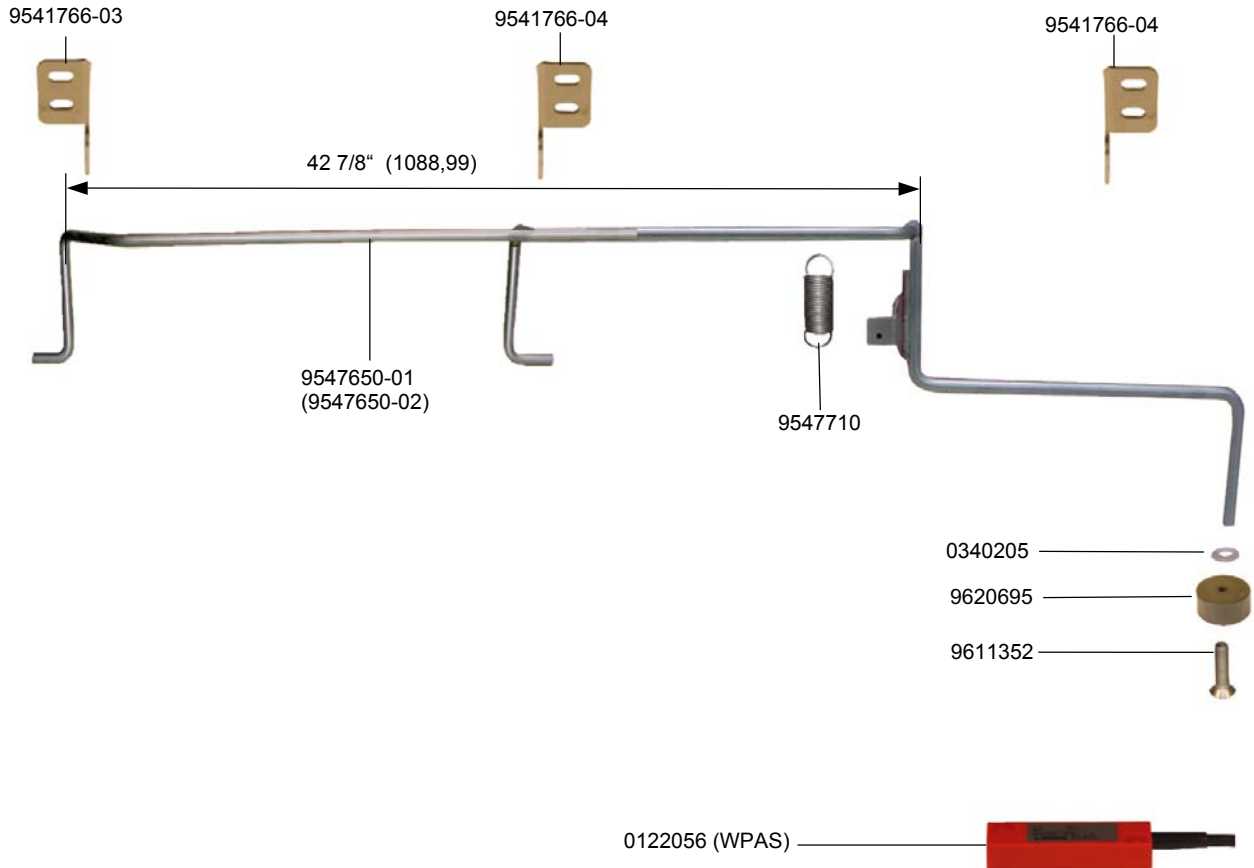
| IDENT.-NR. IDENT.-NO. | BEZEICHNUNG | DESIGNATION | DESIGNATION |
|--------------------------|---|------------------------------------|---|
| 9541766-03 | LAGERWINKEL | BEARING ANGLE | ANGLE DE LOGEMENT |
| 9541766-04 | LAGERWINKEL | BEARING ANGLE | ANGLE DE LOGEMENT |
| 9547632-01 | SCHALTSCHLEIFER L-R | SLIDER SWITCH L-R | INTERRUPTEUR ECONOMISEUR G-D |
| 9547632-02 | SCHALTSCHLEIFER R-L NICHT ABGEBILDET | SLIDER SWITCH R-L NOT DISPLAYED | INTERRUPTEUR ECONOMISEUR D-G PAS D'IMAGE |
| 9547628-01 | SCHALTSCHLEIFER L-R | SLIDER SWITCH L-R | INTERRUPTEUR ECONOMISEUR G-D |
| 9547628-02 | SCHALTSCHLEIFER R-L NICHT ABGEBILDET | SLIDER SWITCH R-L NOT DISPLAYED | INTERRUPTEUR ECONOMISEUR D-G PAS D'IMAGE |
| 0340205 | UNTERLEGSCHIEBE | WASHER | RONDELLE |
| * 9620695 | RINGMAGNET | RING MAGNET | AIMANT ROND |
| 9611352 | SENKSCRAUBE M5X20 | FLAT HEAD SCREW M5X20 | VIS A TETE FRAISEE M5X20 |
| * 0122056 | GRENZTASTER | LIMIT SWITCH | INTERRUPTEUR LIMITEUR |
| * 9547710 | SCHENKELFEDER | TORSION SPRING | RESSORT DE TORSION |

11.3 TAKTSCHALTER HAUPTWASCHZONE (K64)



11.3 INTERVAL SWITCH MAIN WASH ZONE (K64)

11.3 INTERRUPTEUR DE SYNCHRONISATION ZONE DE LAVAGE PRINCIPALE (K64)



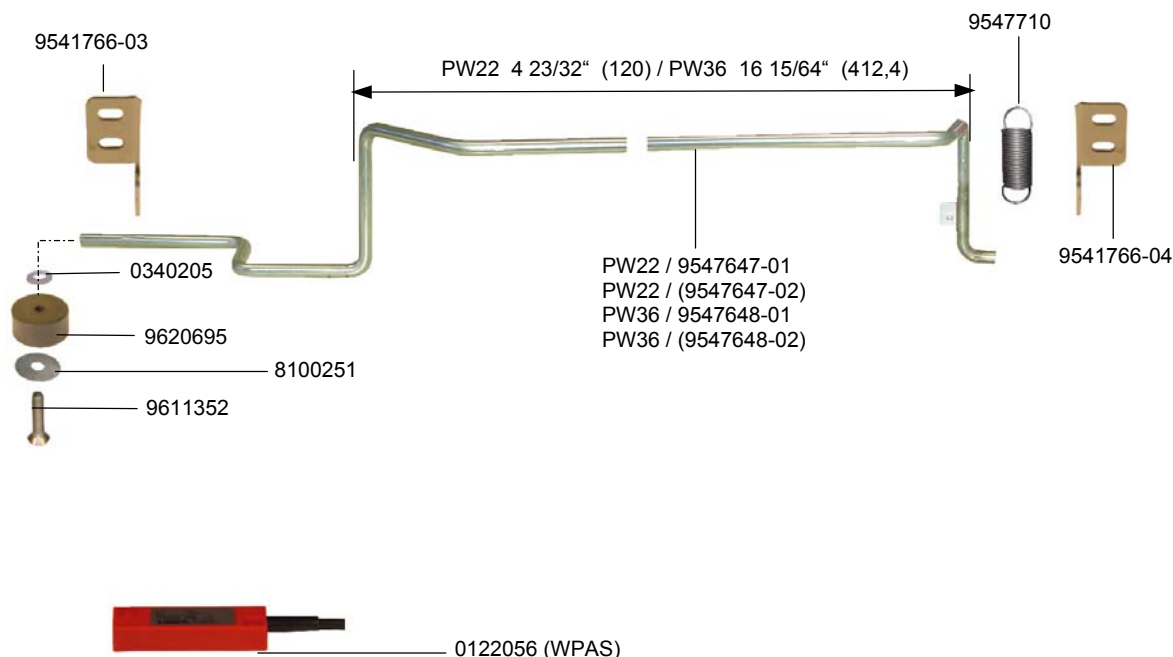
| IDENT.-NR. IDENT.-NO. | BEZEICHNUNG | DESIGNATION | DESIGNATION |
|--------------------------|---|------------------------------------|---|
| 9541766-03 | LAGERWINKEL | BEARING ANGLE | ANGLE DE LOGEMENT |
| 9541766-04 | LAGERWINKEL | BEARING ANGLE | ANGLE DE LOGEMENT |
| 9547650-01 | SCHALTSCHLEIFER L-R | SLIDER SWITCH L-R | INTERRUPTEUR ECONOMISEUR G-D |
| 9547650-02 | SCHALTSCHLEIFER R-L NICHT ABGEBILDET | SLIDER SWITCH R-L NOT DISPLAYED | INTERRUPTEUR ECONOMISEUR D-G PAS D'IMAGE |
| 0340205 | UNTERLEGSSCHEIBE | WASHER | RONDELLE |
| * 9620695 | RINGMAGNET | RING MAGNET | AIMANT ROND |
| 9611352 | SENKSCHRAUBE M5X20 | FLAT HEAD SCREW M5X20 | VIS A TETE FRAISEE M5X20 |
| * 0122056 | GRENZTASTER | LIMIT SWITCH | INTERRUPTEUR LIMITEUR |
| * 9547710 | SCHENKELFEDER | TORSION SPRING | RESSORT DE TORSION |

11.4 TAKTSCHALTER (PW22 / PW 36)



11.4 INTERVAL SWITCH PRE-WASH SECTION (PW22 / PW36)

11.4 INTERRUPTEUR DE SYNCHRONISATION (PW22/PW36)



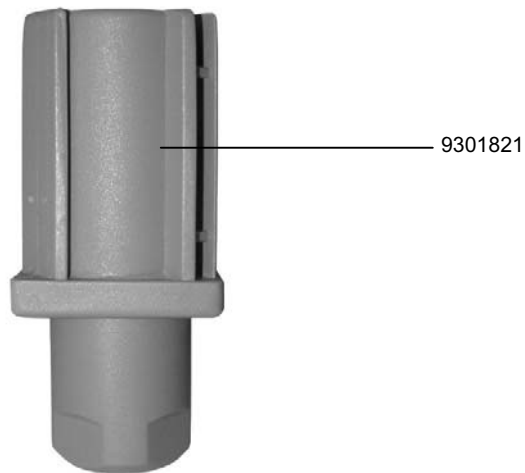
| IDENT.-NR. IDENT.-NO. | BEZEICHNUNG | DESIGNATION | DESIGNATION |
|--------------------------|---|--|---|
| 9541766-03 | LAGERWINKEL | BEARING ANGLE | ANGLE DE LOGEMENT |
| 9541766-04 | LAGERWINKEL | BEARING ANGLE | ANGLE DE LOGEMENT |
| 9547647-01 | SCHALTSCHLEIFER L-R (PW22) | SLIDER SWITCH L-R (PW22) | INTERRUPTEUR ECONOMISEUR G-D (PW22) |
| 9547647-02 | SCHALTSCHLEIFER R-L NICHT ABGEBILDET (PW22) | SLIDER SWITCH R-L NOT DISPLAYED (PW22) | INTERRUPTEUR ECONOMISEUR D-G PAS D'IMAGE (PW22) |
| 9542229-01 | SCHALTSCHLEIFER L-R (PW36) | SLIDER SWITCH L-R (PW36) | INTERRUPTEUR ECONOMISEUR G-D (PW36) |
| 9542229-02 | SCHALTSCHLEIFER R-L NICHT ABGEBILDET (PW36) | SLIDER SWITCH R-L NOT DISPLAYED (PW36) | INTERRUPTEUR ECONOMISEUR D-G PAS D'IMAGE (PW36) |
| 0340205 | UNTERLEGSCHLEIBE | WASHER | RONDELLE |
| * 9620965 | RINGMAGNET | RING MAGNET | AIMANT ROND |
| 9611352 | SENKSCHRAUBE M5X20 | FLAT HEAD SCREW M5X20 | VIS A TETE FRAISEE M5X20 |
| * 0122056 | GRENZTASTER | LIMIT SWITCH | INTERRUPTEUR LIMITEUR |
| * 9547710 | SCHENKELFEDER | TORSION SPRING | RESSORT DE TORSION |
| 8100251 | UNTERLEGSCHLEIBE | WASHER | RONDELLE |

15.1.2 MASCHINENSTOLLEN



15.1.2 FEET OF MACHINE

15.1.2 PIEDS DE MACHINE



| IDENT.-NR. IDENT.-NO. | BEZEICHNUNG | DESIGNATION | DESIGNATION |
|--------------------------|-------------------|-----------------|---------------------|
| 9301821 | TISCHSTOLLEN KPL. | TABLE FEET CPL. | PIEDS DE TABLE CPL. |

15.2.7 SCHWIMMERSCHALTER



15.2.7 FLOATING SWITCH

15.2.7 FLOTTEUR POUR NIVEAU DE BAC



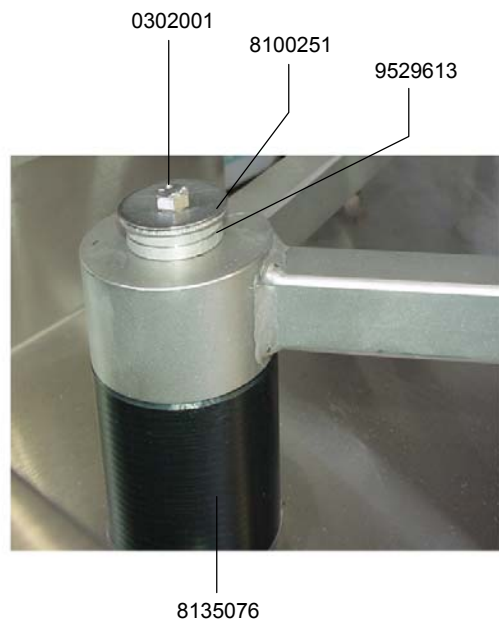
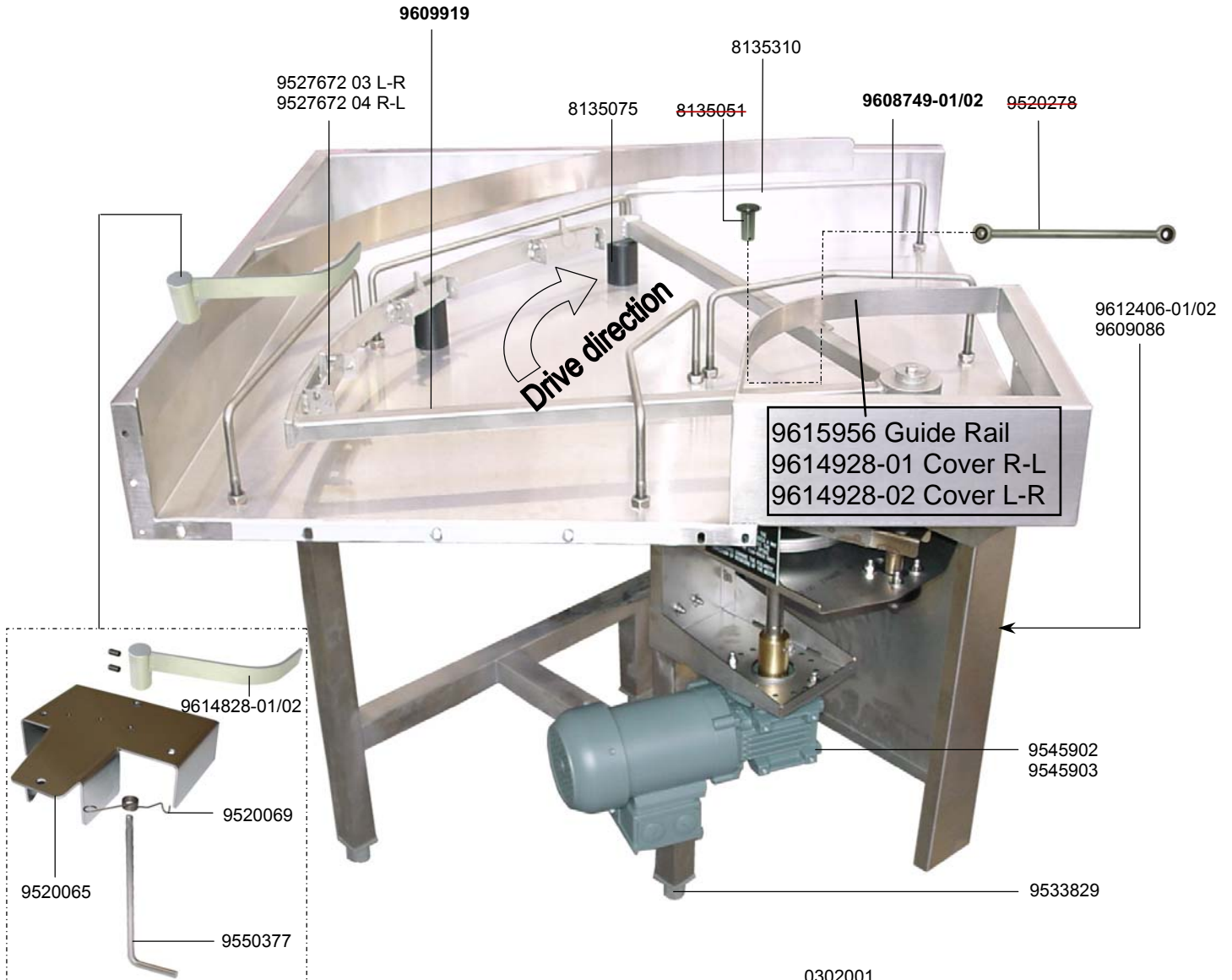
| IDENT.-NR. IDENT.-NO. | BEZEICHNUNG | DESIGNATION | DESIGNATION |
|--------------------------|--------------------|--------------------------|---------------------|
| * 0130023 | SCHWIMMER | FLOAT | FLOTTEUR |
| 8250807 | MUFFE | MUFF | MANCHON |
| 8250805 | DOPPELNIPPEL L=115 | DOUBLE NIPPLE L=4 17/32" | NIPPLE DOUBLE L=115 |
| 8250806 | DOPPELNIPPEL L=75 | DOUBLE NIPPLE L=2 61/64" | NIPPLE DOUBLE L=75 |

16.4 KURVE 90°



16.4 CURVE 90°

16.4 COURBE 90°



16.4 KURVE 90°



16.4 CURVE 90°

16.4 COURBE 90°

| IDENT.-NR. IDENT.-NO. | BEZEICHNUNG | DESIGNATION | DESIGNATION |
|--------------------------|--|--|---|
| * 9527672 03 | TRANSPORTKLINKE L-R | TRANSPORT RATCHET L-R | LOQUET DE TRANSPORT G-D |
| * 9527672 04 | TRANSPORTKLINKE R-L | TRANSPORT RATCHET R-L | LOQUET DE TRANSPORT D-G |
| V 8135075 | AUFLAGER ET 90° | SUPPORT 90° | SUPPORT 90° |
| 9609919 | ANTRIEBSRAD | DRIVE WHEEL | ROUE D'ENTRAINEMENT |
| 8135310 | KORBGLEITBÜGEL | BASKET GUIDES | ARCHET GLISSANT POUR PANIER |
| * 9520278 | KOPPELSTANGE | COUPLING BAR | ELEMENT DE COUPLAGE |
| * 8135051 | GELENKBOLZEN-KOPPELSTANGE | HINGED BOLT-COUPLING BAR | AXE D'ARTICULATION |
| 9533829 | TISCHSTOLLEN KPL. | TABLE FEET COMPLET | PIEDS DE TABLE COMPLET |
| 9609092-01 | ELEKTROKASTEN L-R | ELECTRICAL SWITCH BOX L-R | BOITE ELECTRIQUE G-D |
| 9609092-02 | ELEKTROKASTEN R-L | ELECTRICAL SWITCH BOX R-L | BOITE ELECTRIQUE D-G |
| 9609086 | DECKEL FÜR ELEKTROKASTEN | COVER FOR SWITCH BOX | COUVERCLE POUR BOITE ELTR. |
| 9545902 | GETRIEBE MIT MOTOR FÜR EINLAUF 200-280V/380-480V 50/60HZ | GEAR WITH MOTOR FOR FEEDING SIDE 200-280V/380-480V 50/60HZ | ENGRENAGE AVEC MOTEUR POUR ZONE D'ENTREE 200-280V/380-480V 50/60HZ |
| 9545903 | GETRIEBE MIT MOTOR FÜR AUSLAUF 200-280V/380-480V 50/60HZ | GEAR WITH MOTOR FOR EXIT SIDE 200-280V/380-480V 50/60HZ | ENGRENAGE AVEC MOTEUR POUR ZONE DE SORTIE 200-280V/380-480V 50/60HZ |
| 0302001-H | SECHSKANTSCHRAUBE M6X15 | HEXAGON HEAD CAP SCREW M6X15 | BOULON HEXAGONAL M6X15 |
| 8100251 | U-SCHEIBE 34X7X2 | LIMPET 34X7X2 | RONDELLE 34X7X2 |
| 9529613 | DISTANZSCHEIBE 30X20,5X3,5 | SPACER DISC 30X20,5X3,5 | DISQUE D'ECARTEMENT 30X20,5X3,5 |
| 9526100 | WELLENFÜHRUNG | SHAFT GUIDING | GUIDAGE D'ARBRE |
| 9526112 | SCHWENKARM | SWIVEL ARM | BRAS ORIENTABLE |
| V 8135076 | LAGERGEHÄUSE ET 90° | BEARING HOUSING | LOGEMENT DU PALIER |
| 0302042 | SECHSKANTSCHRAUBE M5X30 | HEXAGON HEAD CAP SCREW M5X30 | BOULON HEXAGONAL M5X30 |
| 0340021 | U-SCHEIBE 10X5,3X1 | LIMPET 10X5,3X1 | RONDELLE 10X5,3X1 |
| 0335008-H | SECHSKANTMUTTER M5 | HEXAGON NUT M5 | ÉCROU HEXAGONAL M5 |
| 9526206 | KURBELTRIEB | CRANK GEAR | TRANSMISSION A MANIVELLE |
| 9501086 | STECKKUPPLUNG | PLUG-IN CLUTCH | DISPOSITIF ENFICHABLE D'ACCOUPEMENT |
| 9609400 | FÜHRUNGSSCHIENE | GUIDE RAIL | GLISSIERE DE GUIDAGE |
| 9609385 | FÜHRUNGSKLOTZ | GUIDE BLOC | BLOC DE GUIDAGE |
| 9550377 | SCHALTERFAHNE RUNDSTAHL | ACTUATING LEVER ROUND STEEL | LEVIER DE MANŒUVRE ACIER ROND |
| 9520069 | SCHENKELFEDER | LEG SPRING | RESSORT A BRANCHES |
| 9520065 | BEFESTIGUNGSPLATTE | MOUNTING PLATE | PLAQUE DE MONTAGE |
| 9614828-01 | SCHALTERFAHNE L-R | ACTUATING LEVER L-R | LEVIER DE MANŒUVRE G-D |
| 9614828-02 | SCHALTERFAHNE R-L | ACTUATING LEVER R-L | LEVIER DE MANŒUVRE D-G |

Shaft Key = 0355107

17.1 ELEKTRO-ERSATZTEILE



17.1 ELECTRIC SPARE PARTS

17.1 COMPOSANTS ELECTRIQUES

| IDENT.-NR. IDENT.-NO. | DESIGNATION | DESIGNATION IN ELECTRIC |
|--------------------------|---|---|
| 9545911 | CONTROL CIRCUIT TRANSFORMER | CCT |
| 0123220 | MAIN SWITCH 32A 4 POLES (POWER LOADER / UNLOADER ONLY) | MS |
| 9545904 | CONTACTOR | CDMC / CMC / PPMC / RPMC / RTHC / WPMC / WTHC |
| 9550241 | AUXILIARY CONTACT 1NO/1NC (POWER LOADER / UNLOADER ONLY) | CMC |
| 9554718 | WASH TANK HEATER CIRCUIT BREAKER (3 POLES / B-50A) | WTHCB |
| 9554717 | RINSE TANK HEATER CIRCUIT BREAKER (3 POLES / B-32A) | RTHCB |
| 9521107 | AUXILIARY CONTACTOR TERMINAL 1NO | PPMC / WPMC |
| 9515664 | MOTOR OVERLOAD PROTECTION 208-230V | CDMO / CMO |
| 9519754 | MOTOR OVERLOAD PROTECTION 460V | CDMO / CMO |
| 9515662 | MOTOR OVERLOAD PROTECTION 208-230V | PPMO (PW 22" ONLY) |
| 9515666 | MOTOR OVERLOAD PROTECTION 460V | PPMO (PW 22" ONLY) |
| 9515669 | MOTOR OVERLOAD PROTECTION 208-230V | PPMO (PW36") / RPMO / WPMO |
| 9515663 | MOTOR OVERLOAD PROTECTION 460V | PPMO (PW36") / RPMO / WPMO |
| 9540606 | CONNECTION INTERFACE FOR OVERLOAD PROT. | |
| 9540604 | TERMINAL BLOC FOR OVERLOAD PROT. | |
| 9530028 | COLLECTING BAR FOR OVERLOAD PROT. 2 DEVICE | |
| 9530027 | COLLECTING BAR FOR OVERLOAD PROT. 3 DEVICE | |
| 9530026 | COLLECTING BAR FOR OVERLOAD PROT. 4 DEVICE | |
| 9549547 | CONTROL CIRCUIT BREAKER PRIMARY 208-230V (2POLES / D-4A) | CCB1 |
| 9549546 | CONTROL CIRCUIT BREAKER PRIMARY 460V (2POLES / D-2A) | CCB1 |
| 9540605 | CONTROL CIRCUIT BREAKER SECONDARY 1POLE / B-10A) | CCB2 |
| 9540605 | CIRCUIT BREAKER FOR DDC / CVS (1POLE / B-10A) | CVS-CB / DDC-CB |
| 9554718 | WASH TANK HEATER CIRCUIT BREAKER (3POLES / B-50A) | WTHCB |
| 9554717 | RINSE TANK HEATER CIRCUIT BREAKER (3POLES / B-32A) | RTHCB |
| 9545907 | LOW VOLTAGE CONTROL RELAY | AMR / DSSR / FRR / PLLPR / PTFR / WTFR |
| 9551647 | TIME RELAY | CTR |
| 9545908 | POWER IN TERMINAL BLOCK | TB1 |
| 9545910 | GROUND LUG | GRND |

17.1 ELEKTRO-ERSATZTEILE



17.1 ELECTRIC SPARE PARTS

17.1 COMPOSANTS ELECTRIQUES

| IDENT.-NR. IDENT.-NO. | DESIGNATION | DESIGNATION IN ELECTRIC |
|--------------------------|-------------|-------------------------|
|--------------------------|-------------|-------------------------|

| <u>CONTROL TERMINAL BLOCS :</u> | | |
|--|---|--|
| <u>CAGE CLAMP TECHNOLOGY</u> | | |
| 0153040 | SINGLE TERMINAL BLOC 2 POLES | CT1 |
| 0153070 | PROTECTION PLATE FOR PART NR. 0153040 | |
| 0153043 | SINGLE TERMINAL BLOC 3 POLES | |
| 0153073 | PROTECTION PLATE FOR PART NR. 0153043 | |
| 0153042 | SINGLE TERMINAL BLOC 4 POLES | CT1 / CT2 / CT4 / CT3 / CT5 / CT2.2 |
| 0153071 | PROTECTION PLATE FOR PART NR. 0153042 | |
| 0153090 | CONNECTION BRIDGE | |
| 0153098 | END BLOC | |
| 0153097 | DESIGNATION SUPPORT | |
| 9612342 | INFORMATION LABEL | |
| <u>"FASTON QUICK CONNECT TECHNOLOGY" HAS BEEN REPLACED WITH "CAGE CLAMP TECHNOLOGY"</u> | | |
| NOTE: THE TERMINAL BLOCKS LISTED BELOW HAVE BEEN REPLACED BY THE "CAGE CLAMP TECHNOLOGY" LISTED ABOVE. TERMINALS FOR THE "FASTON QUICK CONNECT TECHNOLOGY" ARE STILL AVAILABLE FOR SPARE PARTS FROM MEIKO. | | |
| 9545912 | CONTROL CIRCUIT TERMINAL BLOC 15 POLES | CT2 / CT4 |
| 9546023 | CONTROL CIRCUIT TERMINAL BLOC 8 POLES | CT3 / CT5 |
| 9545967 | CONTROL CIRCUIT TERMINAL BLOC 4 POLES | CVS / DDC / CT2.2 |
| <u>INDICATION LIGHT</u> | | |
| 9555561 | SOCKET (THIS PART IS ALREADY INCLUDED IN PARTS NR. 9604438, 9604435 AND 9604394) | POL / WTHLL |
| 9250133 | LIGHT CAP – RED (WITH SOCKET) | |
| 9250134 | LIGHT CAP – YELLOW (WITH SOCKET) | |
| 9250132 | TERMINAL BLOC 1NC /1NO | |
| 0150213 | LAMP 24V 4W | |
| <u>CONTROL SWITCH</u> | | |
| 9555561 | SOCKET (THIS PART IS ALREADY INCLUDED IN PARTS NR. 9604438, 9604435 AND 9604394) | POS / AMS |
| 9604394 | SWITCH (WITH SOCKET) | |
| 9604392 | TERMINAL BLOC | |