

ELECTRIC RANGES

700 Series

Models : 72/02TCEPT, 72/02TCEPQ, 74/02TCEPT, 74/02TCEPQ, 76/02TCEPT,
76/02TCEPQ, 72/02CEPT, 72/02CEPQ, 74/02CEPT, 74/02CEPQ, 74/02CEEPQ,
76/02CEPT, 76/02CEEANPT, 76/02CEEEACPT, 76/02CEPQ,
76/02CEEANPQ, 76/02CEEEACPQ, 7-2FXE

Spare parts

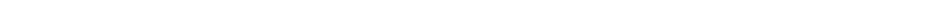


8. Spare parts

General parts33

Electric components37





8.1 Voltage codes

Voltage	Voltage code
A	3/N/PE~400/230V 50Hz
B	~250V 16A 50Hz
C	3/N/PE~380/220V 50Hz
D	3/PE~200V 50-60Hz
F	2/PE 220-240V 50Hz
G	3/N/PE~415/240V 50Hz
H	3/PE~230V 50Hz
I	3/PE~220V 60Hz
J	3/PE~380 50Hz
K	3/PE~400V 50Hz
L	3/PE~415V 50Hz
M	3/PE~440V 60Hz
N	3/PE~460V 60Hz
O	3/PE~480V 60Hz
P	1/N/PE~220-240V 50Hz
R	2/PE~220-230V 60Hz
S	3/N/PE~400/230V 50Hz
T	3/PE~230V 60Hz
U	1/N/PE~100V 50-60Hz

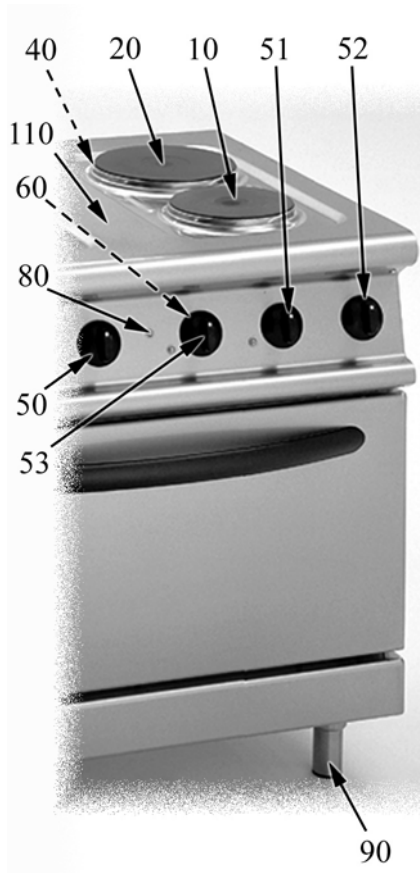
8.2 Product codes

Product code	Full name
Model codes	
700 Series	700 Series
Type codes	
72TPT	72/02TCEPT
72TPQ	72/02TCEPQ
74TPT	74/02TCEPT
74TPQ	74/02TCEPQ
76TPT	76/02TCEPT
76TPQ	76/02TCEPQ
72PT	72/02CEPT
72PQ	72/02CEPQ
74PT	74/02CEPT
74EPT	74/02CEEPT
74PQ	74/02CEPQ
74EPQ	74/02CEEPQ
76PT	76/02CEPT
76EANPT	76/02CEEANPT
76EEACPT	76/02CEEEACPT
76PQ	76/02CEPQ
76EANPQ	76/02CEEANPQ

Spare parts

Product code	Full name
76EEACPQ	76/02CEEEACPQ
7-2FXE	7-2FXE
Accessory codes	





Spare parts

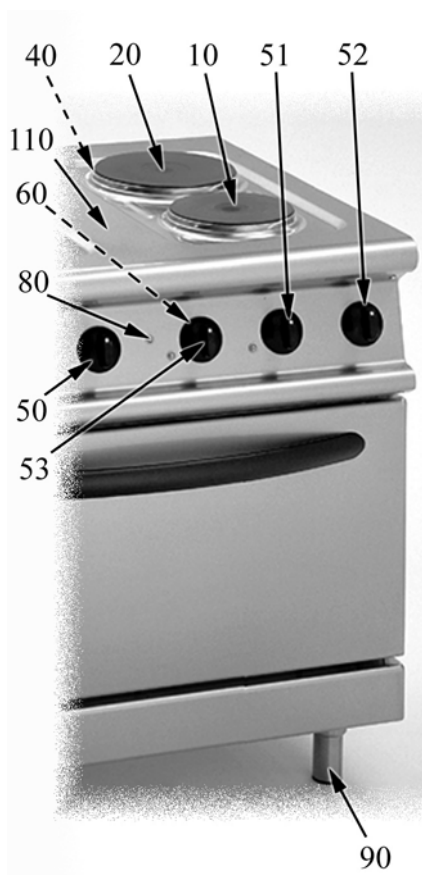
ID	Type	Model	Voltage	Description	P-code
Module:General parts					
10		72TPT,72PT,7-2FXE		Cooking plate 2000W 230V Diam. 180	A048901
10		74TPT,74PT,74EPT		Cooking plate 2000W 230V Diam. 180	A048901
10		76TPT,76PT,76EANPT,76EEACPT		Cooking plate 2000W 230V Diam. 180	A048901
20		72TPT,72PT,7-2FXE		Cooking plate 2600W 230V Diam. 220	A045601
20		74TPT,74PT,74EPT		Cooking plate 2600W 230V Diam. 220	A045601
20		76TPT,76PT,76EANPT,76EEACPT		Cooking plate 2600W 230V Diam. 220	A045601
30		72TPQ,72PQ		Cooking plate 2600W 220x220	A036720
30		74TPQ,74PQ,74EPQ		Cooking plate 2600W 220x220	A036720
30		76TPQ,76PQ,76EANPQ		Cooking plate 2600W 220x220	A036720
30		76EEACPQ		Cooking plate 2600W 220x220	A036720
40		72TPT,72PT,7-2FXE		Bracket for plate size 220	A049000
40		74TPT,74PT,74EPT		Bracket for plate size 220	A049000
40		76TPT,76PT,76EANPT,76EEACPT		Bracket for plate size 220	A049000
50				Black Knob	2599211
51		74EPT,76EANPQ,76EANPT, 76EEACPQ,76EEACPT		Black Knob electric oven switch	2599207
51		74EPQ		Black Knob electric oven switch	2599207
52		74EPT,76EANPQ,76EANPT, 76EEACPQ,76EEACPT		Black Knob electric oven	2599208
52		74EPQ		Black Knob electric oven	2599208
53		76EEACPT,76EEACPQ		Black Knob hot cupboard	2599210
60		72TPT,72PT,7-2FXE		Under-knob gasket	2519490
60		72TPQ,72PQ		Under-knob gasket	2519490
60		74TPT,74PQ		Under-knob gasket	2519490
60		76EANPT,76EANPQ		Under-knob gasket	2519490
60		76EEACPQ		Under-knob gasket	2519490
60		76TPT,74EPT,76PT		Under-knob gasket	2519490
60		76TPQ,74EPQ,76PQ		Under-knob gasket	2519490
80				White lens	A039207
90		72PT,74PT,74EPT,76PT,76EANPT, 76EEACPT,76EANPQ,76EEACPQ, 7-2FXE		Foot with sleeve 115 x 1 1/2"	2519500
90		72PQ,74PQ,74EPQ,76PQ		Foot with sleeve 115 x 1 1/2"	2519500

700 Series=700 Series

72TPT=72/02TCEPT, 72TPQ=72/02TCEPQ, 74TPT=74/02TCEPT, 74TPQ=74/02TCEPQ, 76TPT=76/02TCEPT,
76TPQ=76/02TCEPQ, 72PT=72/02CEPT, 72PQ=72/02CEPQ, 74PT=74/02CEPT, 74EPT=74/02CEEPT, 74PQ=74/
02CEPQ, 74EPQ=74/02CEEPQ, 76PT=76/02CEPT, 76EANPT=76/02CEEANPT, 76EEACPT=76/02CEEEACPT,
76PQ=76/02CEPQ, 76EANPQ=76/02CEEANPQ, 76EEACPQ=76/02CEEEACPQ, 7-2FXE=7-2FXE

A=3/N/PE~400/230V 50Hz, H=3/PE~230V 50Hz





Spare parts

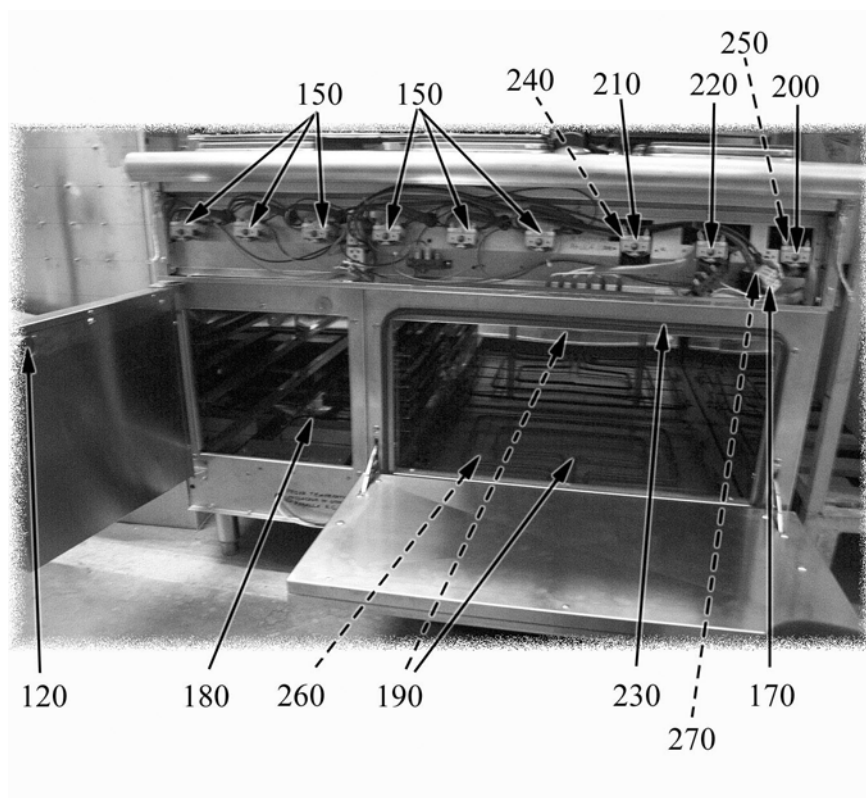
ID	Type	Model	Voltage	Description	P-code
Module:General parts					
100		76EANPQ,76EEACPQ		Square plate holding surface 74/02	2552040
100		72TPQ,74TPQ,76TPQ,72PQ,74PQ, 74EPQ,76PQ		Square plate holding surface 74/02	2552040
110		72TPT,74TPT,76TPT,72PT,74PT, 74EPT,76PT,76EANPT,76EEACPT, 7-2FXE		Round plate holding surface 76/02	2552070
120		76EANPQ,76EANPT,76EEACPQ, 76EEACPT		Magnetic lock	A044490
130		76EANPQ,76EEACPQ		Upper hinge for hot cupboard door 76/ 02	2541000
140		76EANPQ,76EEACPQ		Lower hinge for hot cupboard door 76/ 02	2541010
-		76EANPQ,76EEACPQ		Chrome-plated GN 2/1 oven wire shelf	2519480
-		74EPQ		Chrome-plated GN 2/1 oven wire shelf	2519480

700 Series=700 Series

72TPT=72/02TCEPT, 72TPQ=72/02TCEPQ, 74TPT=74/02TCEPT, 74TPQ=74/02TCEPQ, 76TPT=76/02TCEPT,
76TPQ=76/02TCEPQ, 72PT=72/02CEPT, 72PQ=72/02CEPQ, 74PT=74/02CEPT, 74EPT=74/02CEEPT, 74PQ=74/
02CEPQ, 74EPQ=74/02CEEPQ, 76PT=76/02CEPT, 76EANPT=76/02CEEANPT, 76EEACPT=76/02CEEEACPT,
76PQ=76/02CEPQ, 76EANPQ=76/02CEEANPQ, 76EEACPQ=76/02CEEEACPQ, 7-2FXE=7-2FXE

A=3/N/PE~400/230V 50Hz, H=3/PE~230V 50Hz





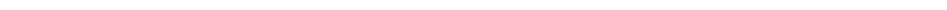
Spare parts

ID	Type	Model	Voltage	Description	P-code
Module: Electric components					
-				2-pole terminal block	A036050
170		74EPT,76EANPQ,76EANPT, 76EEACPQ,76EEACPT		5-pole terminal block + T	A036206
170		74EPQ		5-pole terminal block + T	A036206
180		76EEACPQ,76EEACPT		Heating element 420 W 230 V hot cupboard	A036800
190		74EPT,76EANPQ,76EANPT, 76EEACPQ,76EEACPT		Heating element 2750 W 3x230/400 V GN 2/1 oven	A037550
190		74EPQ		Heating element 2750 W 3x230/400 V GN 2/1 oven	A037550
150				Switch, 7 positions	A045500
200		74EPT,76EANPQ,76EANPT		Switch for three-phase thermostat	A046001
200		74EPQ		Switch for three-phase thermostat	A046001
210		76EEACPQ,76EEACPT		Switch for single-phase thermostat	A046000
220		74EPT,76EANPT,76EEACPT, 76EANPQ,76EEACPQ		Switch, 4 positions	A046750
220		74EPQ		Switch, 4 positions	A046750
230		76EANPQ,76EEACPQ		Oven door gasket	2510674
230		74EPQ		Oven door gasket	2510674
240		76EEACPQ,76EEACPT		Thermostat 30-90 single-phase	A046050
250		74EPT,76EANPQ,76EANPT		Thermostat 50-275 three-phase	A044601
250		74EPQ		Thermostat 50-275 three-phase	A044601
270				Safety thermostat 350	A046150
260		76EANPQ,76EEACPQ		Bottom plate for 70/02 electric oven	2550350
260		74EPQ		Bottom plate for 70/02 electric oven	2550350

700 Series=700 Series

72TPT=72/02TCEPT, 72TPQ=72/02TCEPQ, 74TPT=74/02TCEPT, 74TPQ=74/02TCEPQ, 76TPT=76/02TCEPT, 76TPQ=76/02TCEPQ, 72PT=72/02CEPT, 72PQ=72/02CEPQ, 74PT=74/02CEPT, 74EPT=74/02CEEPT, 74PQ=74/02CEPQ, 74EPQ=74/02CEEPQ, 76PT=76/02CEPT, 76EANPT=76/02CEEANPT, 76EEACPT=76/02CEEEACPT, 76PQ=76/02CEPQ, 76EANPQ=76/02CEEANPQ, 76EEACPQ=76/02CEEEACPQ, 7-2FXE=7-2FXE

A=3/N/PE~400/230V 50Hz, H=3/PE~230V 50Hz



**SPARE PART LIST****12701202 - 74/02 CEPQ EL. RANGE 4 SQUARE PLATES**

2519490	KNOB GASKET V-SEALVA40/NBR	1
2519500	LEG SET 1 1/2 C/F 67x67x2 70/02	1
2552040	EL.SQ.PLATES TOP 80 74/02	1
2599211	EL. RANGE KNOB 70/02	1
6A036010	MAIN CONN.BOX AK3/25 3 POLES CERAM.	1
6A036050	MAIN CONN.BOX AK2/25 2 POLES CERAM.	1
6A036203	MAIN CONNECTION BOX 2P+E FV 110	1
6A036720	EL.PL. 2600W 230V 22X22 1122454237	1
6A038506	LIGHT 380V 150oC F 2132300087	1
6A038507	GREEN NEON LENSE 150oC 5729110300	1
6A045500	7 POS. CHANGE OVER SW.4927215746	1

[» print «](#)