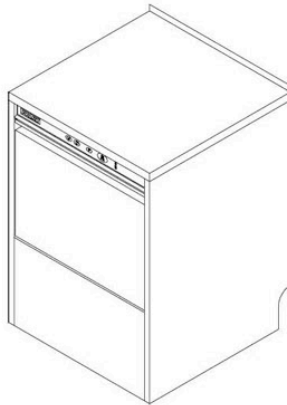


**Ersatzteilkatalog**

**Spare parts list**

## **PALUX Geschirrspülmaschine**

**GSC 400**



**Dieser Ersatzteilkatalog ist gültig**

- für Geschirrspülmaschinen GSC 400 ab Baujahr 4.2004, ab Geräte-Nr. 384752

**Typenübersicht****Geschirrspülmaschinen 400 Volt-Ausführung**

849987 Grundmodell

849995 mit Laugenpumpe

850454 mit Reinigerdosierpumpe

850462 mit Reinigerdosier- und Laugenpumpe

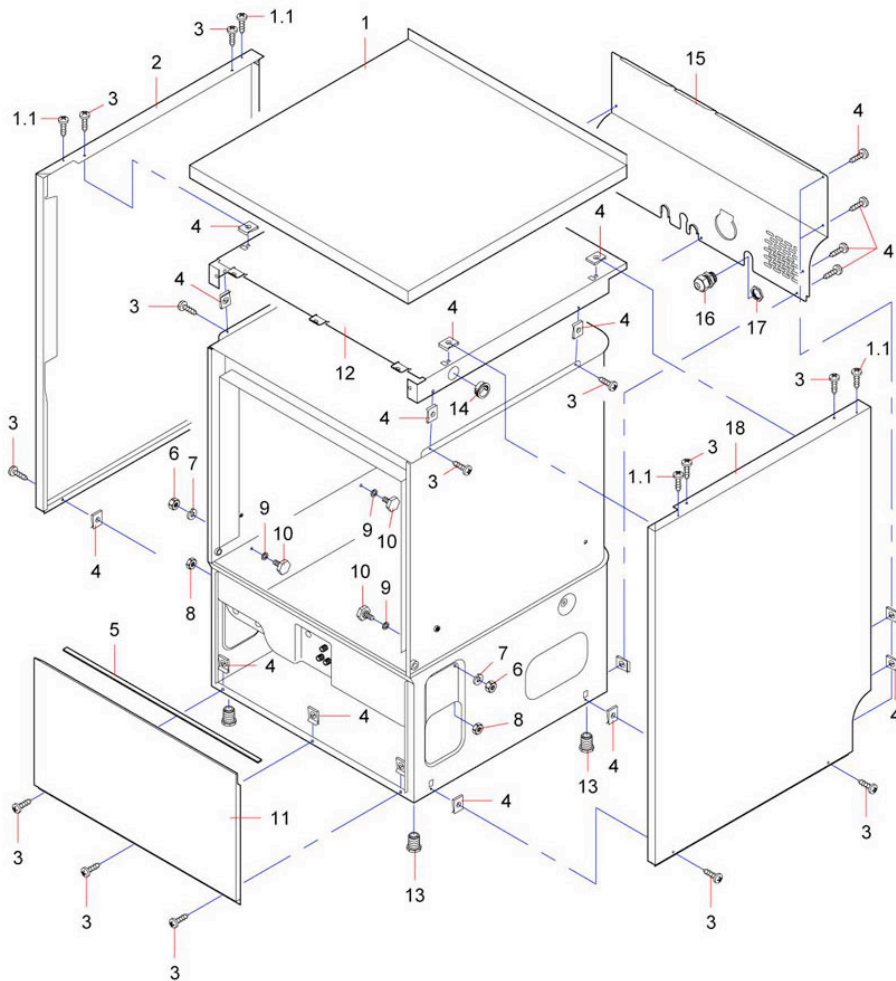
**Geschirrspülmaschinen 230 Volt-Ausführung**

851604 Grundmodell

851612 mit Laugenpumpe

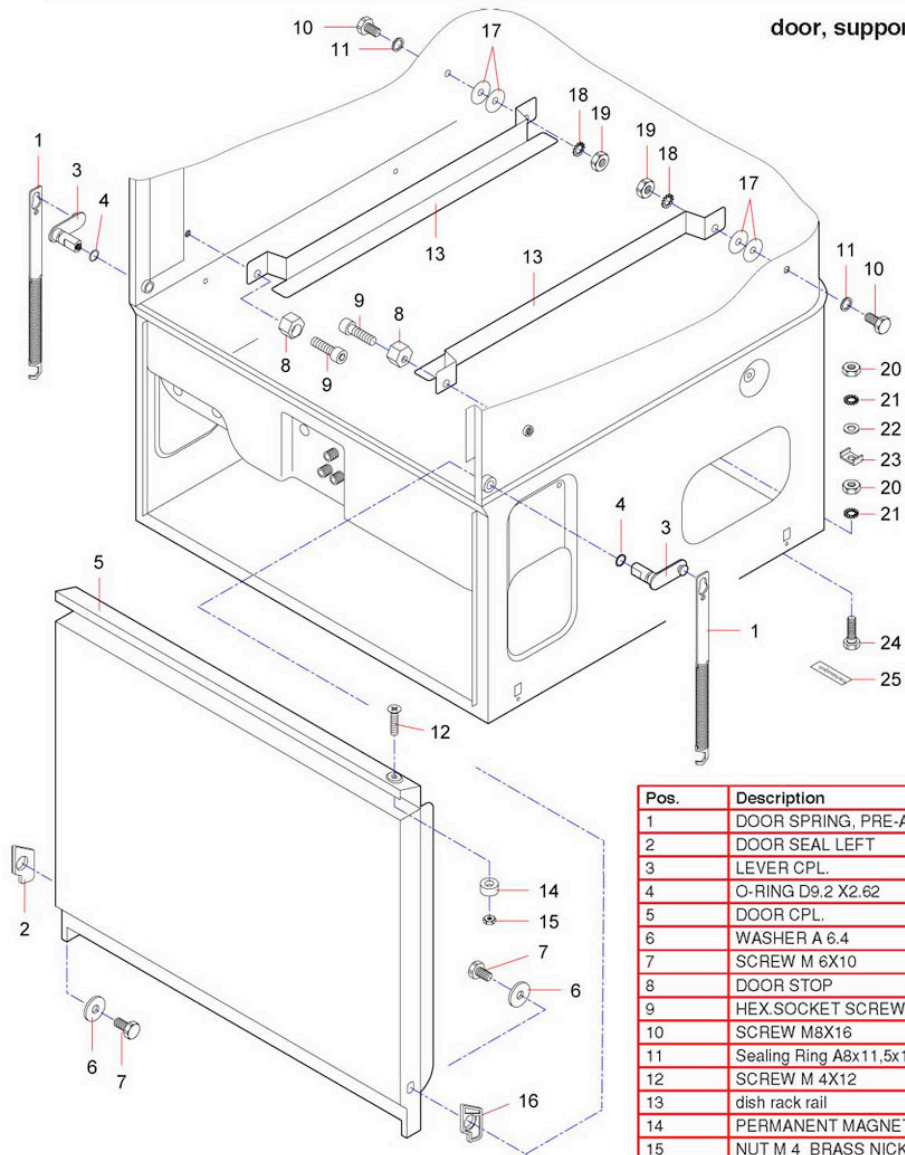
851620 mit Reinigerdosierpumpe

851639 mit Reinigerdosier- und Laugenpumpe



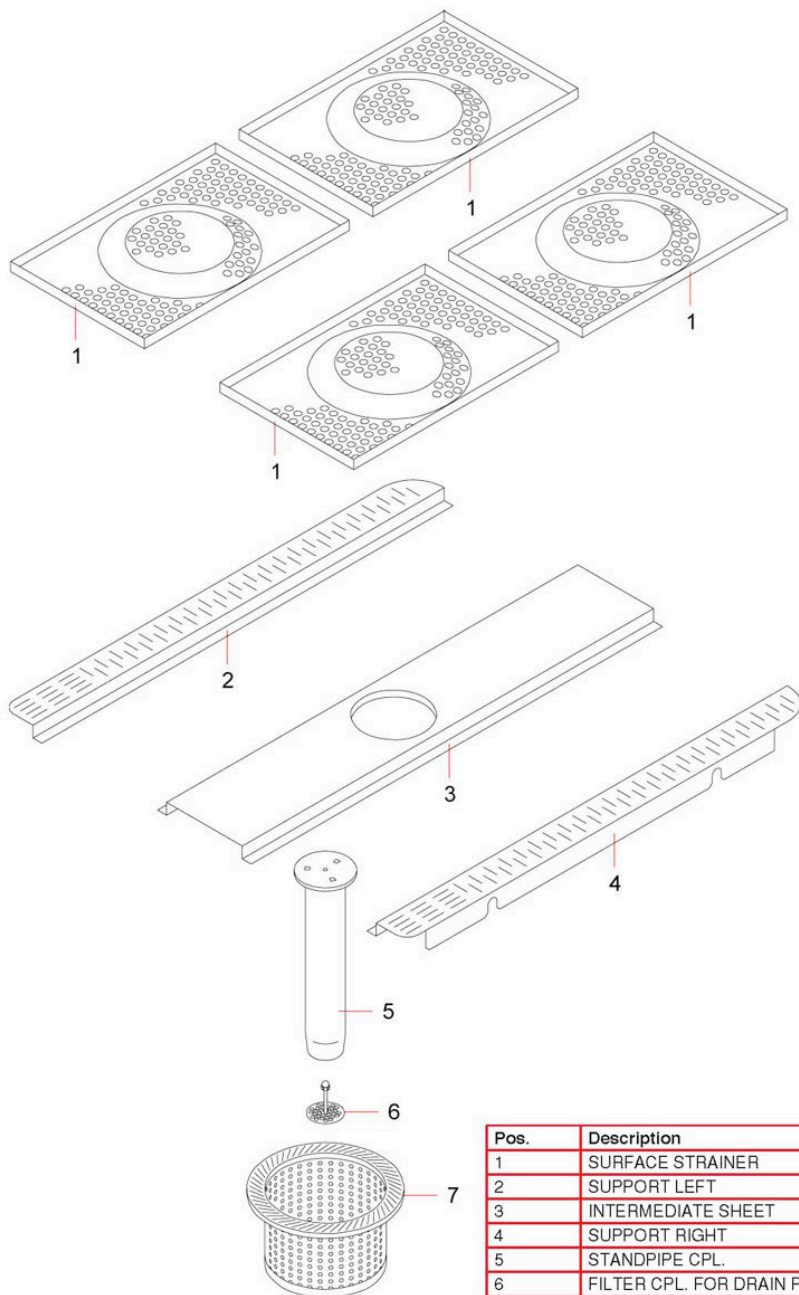
Pos.	Description	Article
1	TOP	853895
1.1	SHEET-METAL SCREW 4,2x13 St.verz. DIN 7976	011843
2	SIDE SECTION LEFT	849707
3	SHEET-METAL SCREW B 3,9x16 1.4301 DIN 7981	059803
4	SNAP-ACTION NUT B3.9	227889
5	TESAMOLL LITZ WIRE D3,FB.55	297305
6	NUT M 6	251887
7	SERRATED LOCK WASHER A6.4 A 6 DIN 6898	006777
8	NUT M6 1.4301 DIN 439	000752
9	SEAL D6X10X1.5	251232
10	SPECIAL HEX-HEAD SCREW	339814
11	COVER SHEET FRONT	337773
12	COVER	851647
13	OCTAGON BOLT	088285
14	SNAP-ACTION BUSHING	140937
15	REAR PANEL	340294
16	cablc fitting	050644
17	nut	050954
18	SIDE SECTION RIGHT	849715

**door, support for dish rack**



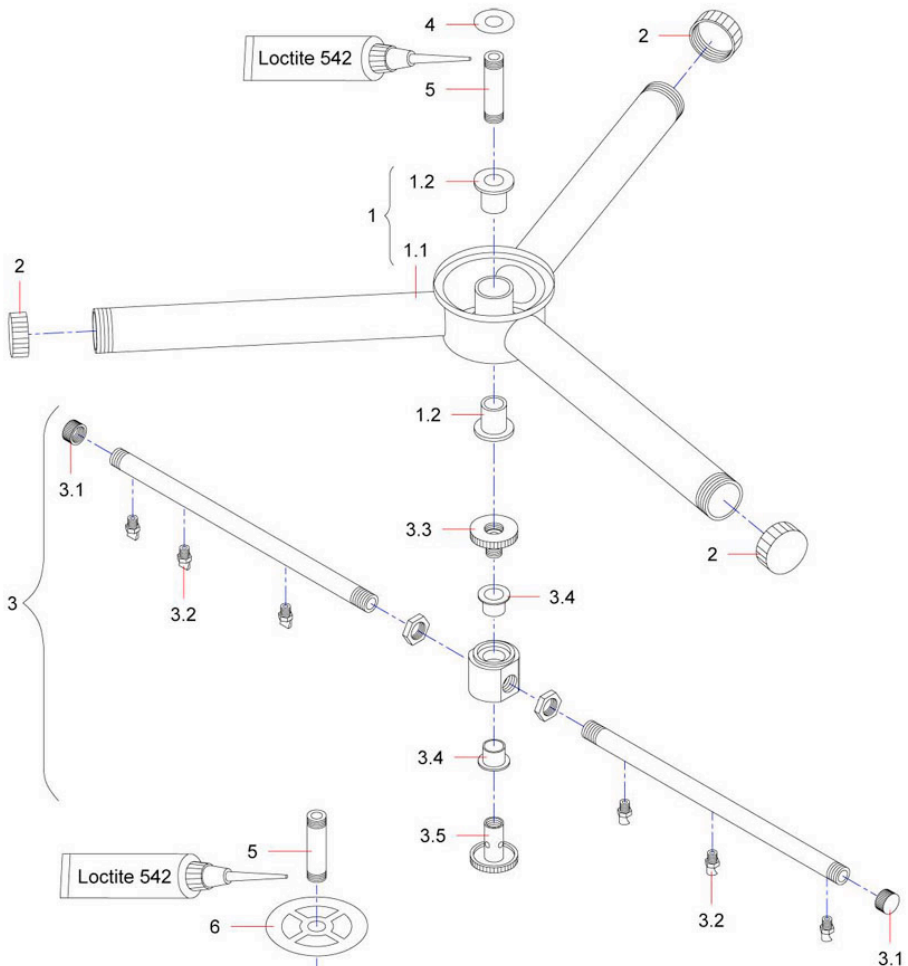
Pos.	Description	Article
1	DOOR SPRING, PRE-ASS.	373583
2	DOOR SEAL LEFT	337161
3	LEVER CPL.	339972
4	O-RING D9.2 X2.62	051624
5	DOOR CPL.	335398
6	WASHER A 6.4	004014
7	SCREW M 6X10	251836
8	DOOR STOP	335657
9	HEX SOCKET SCREW M8X20	265225
10	SCREW M8X16	257478
11	Sealing Ring A8x11,5x1	213497
12	SCREW M 4X12	010332
13	dish rack rail	335371
14	PERMANENT MAGNET	293962
15	NUT M 4 BRASS NICKEL-PLATED	006637
16	DOOR SEAL RIGHT	337188
17	washer	009954
18	SERRATED LOCK WASHER A8.4	012564
19	NUT M 8	254177
20	nut M 6	251887
21	serrated lock washer A6.4	006777
22	washer 6.4	004014
23	terminal bracket	223697
24	screw M 6X20	273651
25	adhesive label	217360

strainer



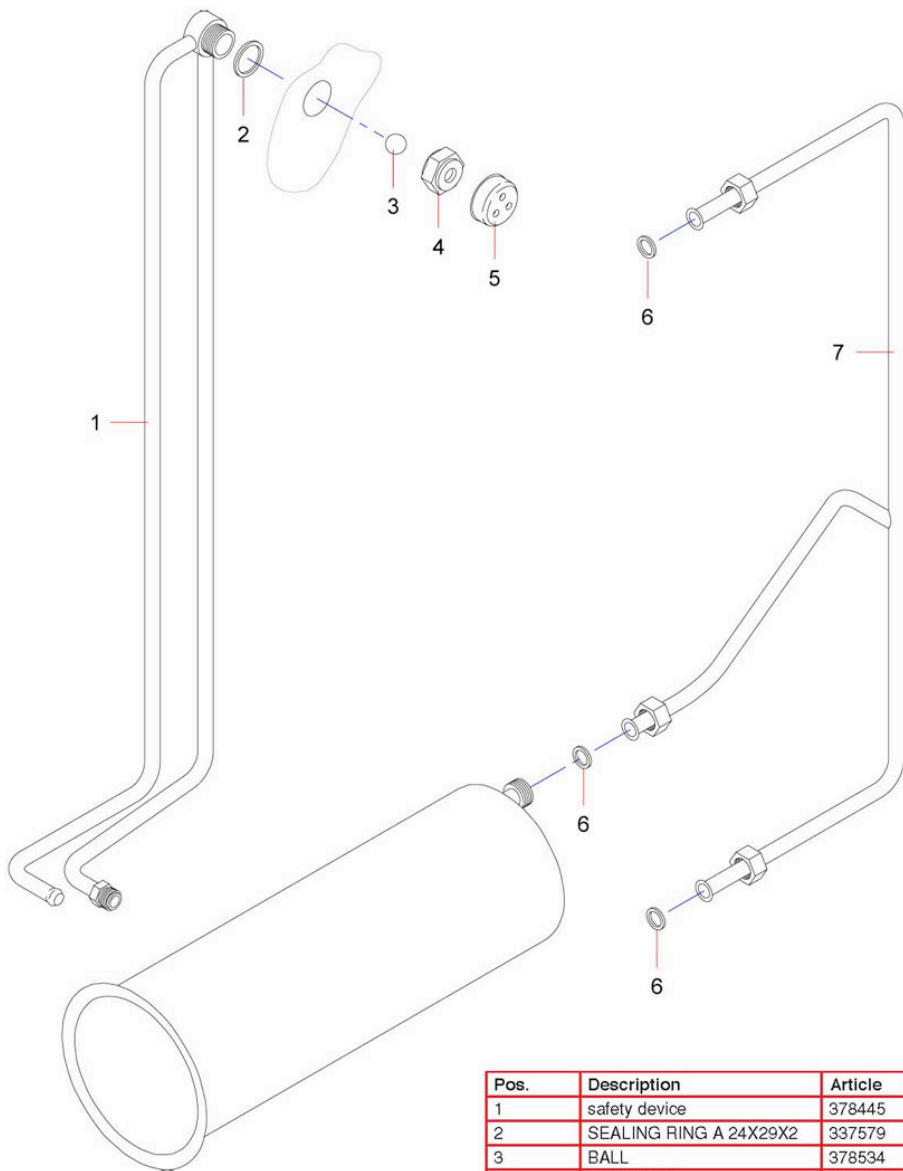
Pos.	Description	Article
1	SURFACE STRAINER	334936
2	SUPPORT LEFT	335789
3	INTERMEDIATE SHEET	334928
4	SUPPORT RIGHT	335797
5	STANDPIPE CPL.	335665
6	FILTER CPL. FOR DRAIN PUMP	225452
7	PUMP STRAINER CPL.	333182

washing arms



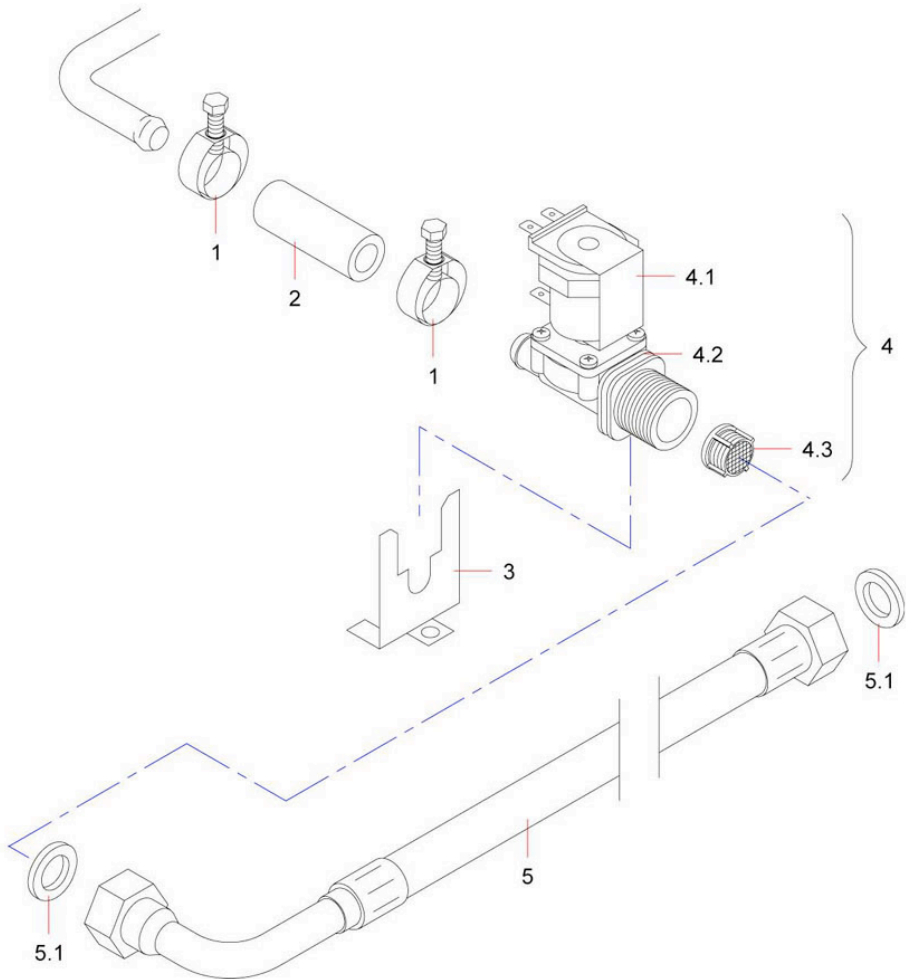
Pos.	Description	Article
1	washing arm cpl.	635154
1.1	washing arm	
1.2	BEARING BUSH	635340
2	SCREW CAP 1.4305	152544
3	rinsing arm pre ass.	635170
3.1	SCREW CAP	137480
3.2	RINSING NOZZLE	384186
3.3	KNURLED SCREW	384224
3.4	BEARING BUSH F. RINSING ARM BE	635332
3.5	BEARING BOLT	384216
4	washer D=25x11x0,8	637467
5	extension M 12x1 / M 11x1	374156
6	pressure dist.	634581

**safety device, rinsing pipe**



Pos.	Description	Article
1	safety device	378445
2	SEALING RING A 24X29X2	337579
3	BALL	378534
4	COUPLING	335258
5	covering cap	342351
6	SEALING RING A 13,5X18X2	251550
7	rinsing pipe	335711

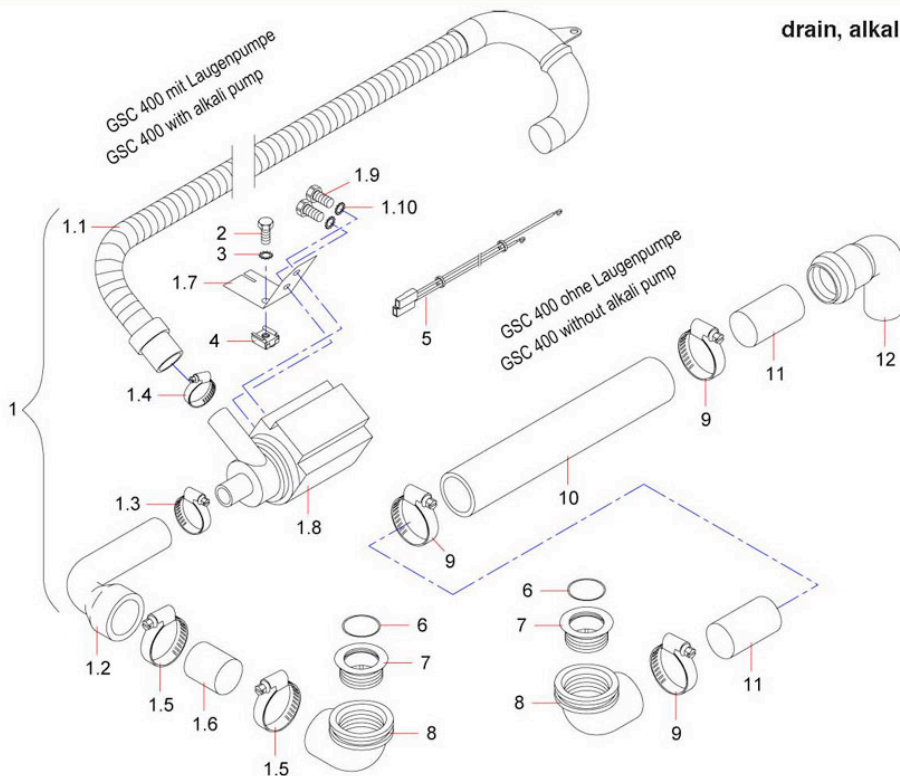
**water supply, solenoid valve**



Pos.	Description	Article
1	HOSE TIE 16-21MM	276642
2	water hose 1/2	727881
3	angle bracket	334812
4	single solenoid valve	334944
4.1	MAGNETIC COMPONENT	297313
4.2	Ventil	
4.3	FILTER D=19.2 RED	324353
5	braided hose	727873
5.1	seal 16X24X2	050016



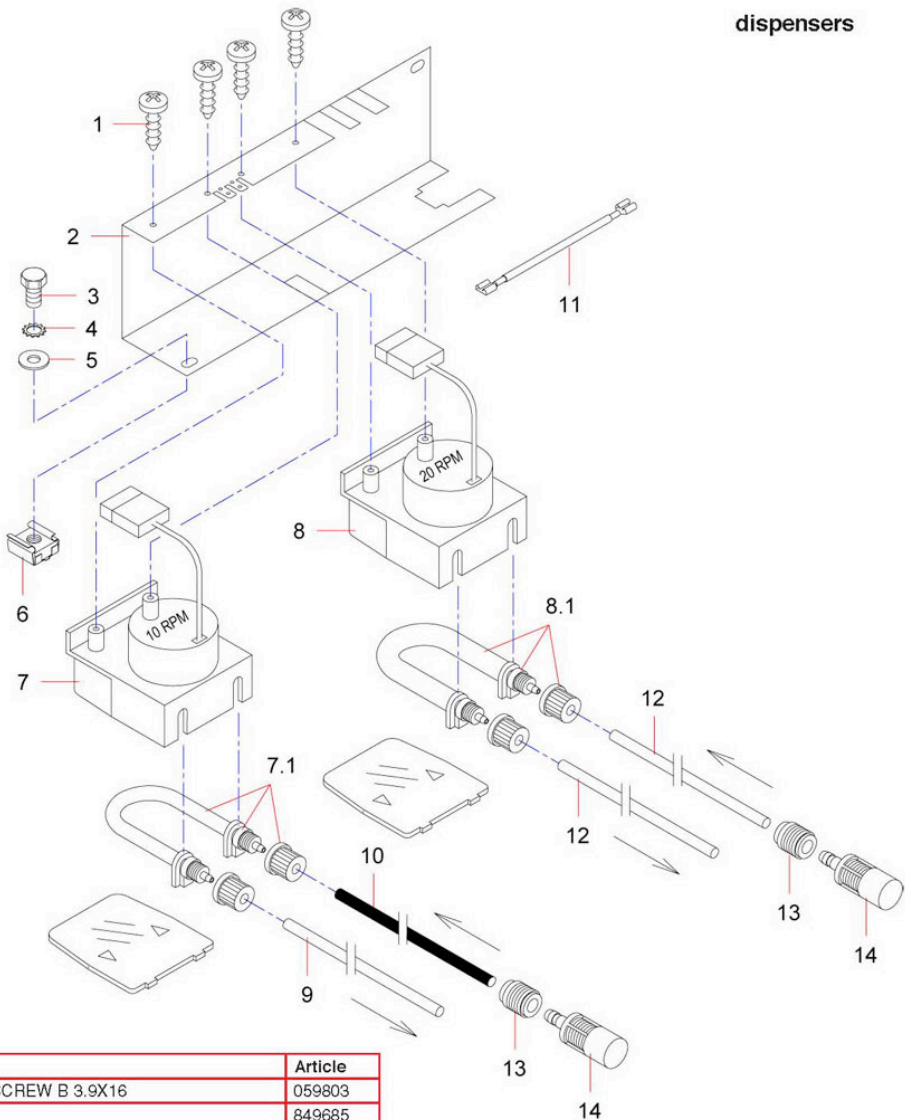
**drain, alkali pump**



Pos.	Description	Article
1	alkali pump pre-ass.	852007
1.1	DISCHARGE HOSE	195138
1.2	BEND	078670
1.3	HOSE CLAMP 25-40MM	354996
1.4	HOSE CLIP	228419
1.5	HOSE CLIP	175897
1.6	connecting pipe	339954
1.7	angle bracket	849693
1.8	DISCHARGE PUMP	078735
1.9	SCREW M 6X10	251836
1.10	SERRATED LOCK WASHER A6.4 A 6 DIN 6898	006777
2	SCREW M 6X10	251836
3	SERRATED LOCK WASHER A6.4 A 6 DIN 6898	006777
4	CAPTIVE NUT M6	194581
5	WASHER A 6.4	851981
6	O-RING D 37.77X2.62 DIAM. 37,77 X 2,62	297259
7	STANDPIPE VALVE+B5810 300	297003
8	DRAIN HOSE	339946
9	HOSE CLIP	039292
10	draining hose	679615
11	connecting pipe	339903
12	90 DEGREE OUTLET	375497

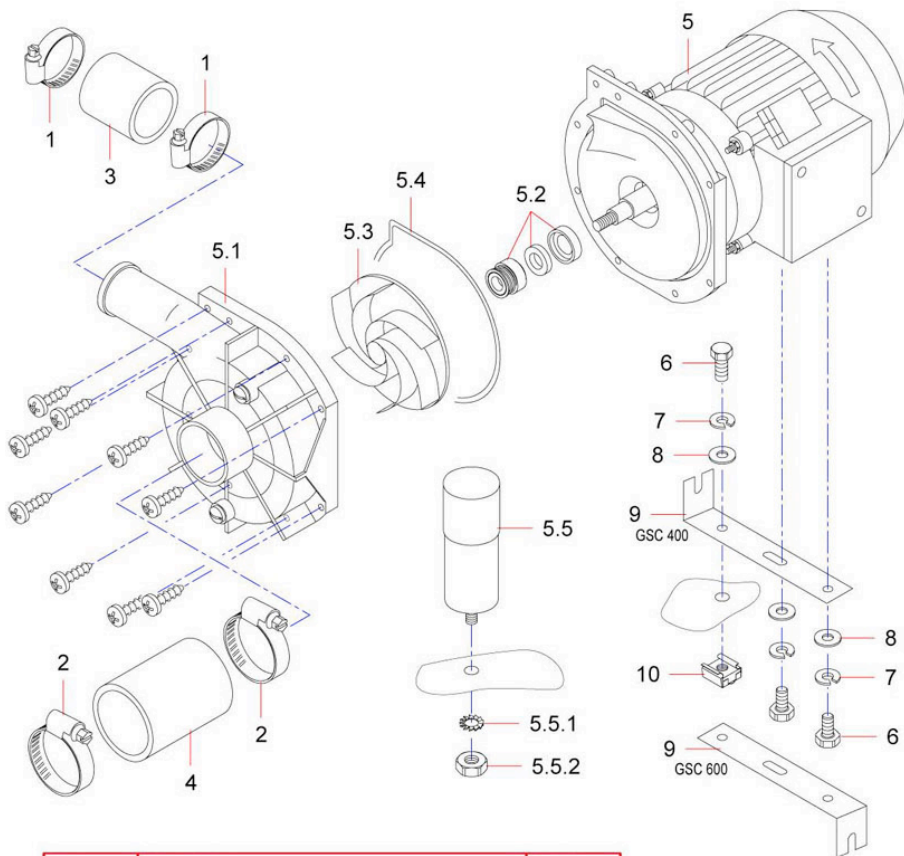
**Hinweis für die Nachrüstung der Laugenpumpe**

Für die Nachrüstung der Laugenpumpe sind die Positionen 1, 2, 3, 4 und 5 erforderlich!



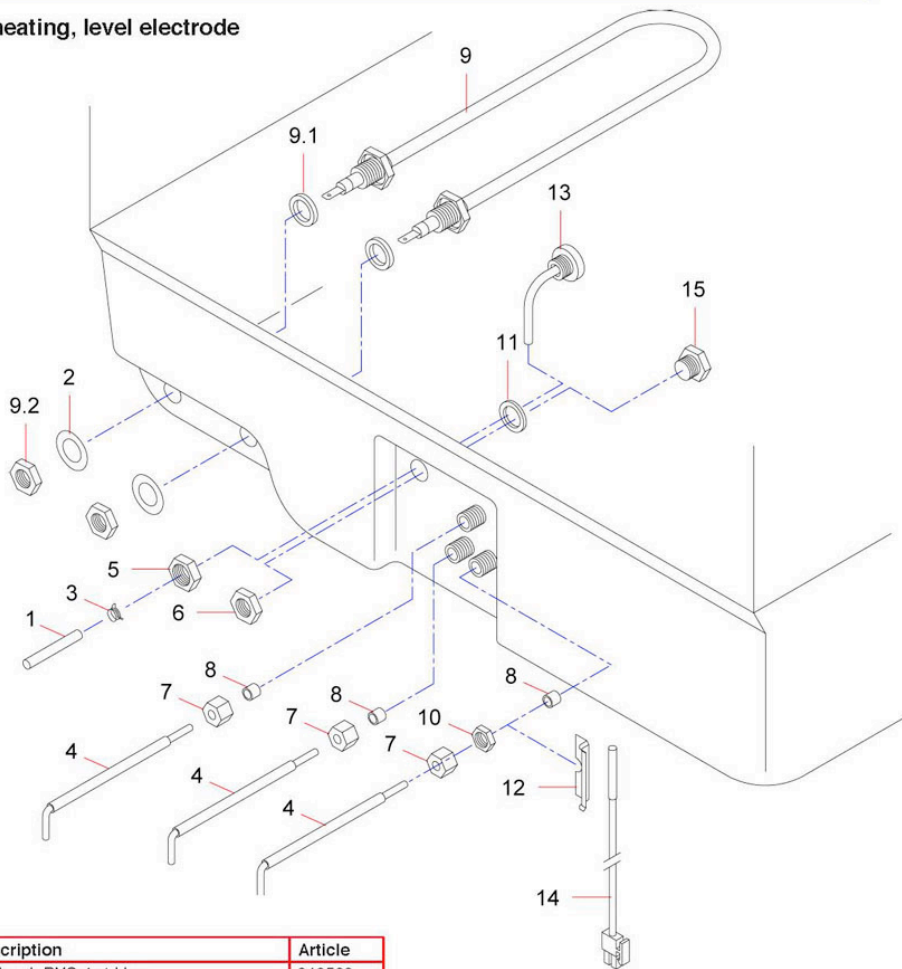
Pos.	Description	Article
1	SHEET-METAL SCREW B 3.9X16	059803
2	support	849685
3	SCREW M 6X10	251836
4	SERRATED LOCK WASHER A6.4 A 6 DIN 6898	006777
5	washer 6,4	004014
6	CAPTIVE NUT M6	194581
7	rinsing dosage plant	849537
7.1	SILIKONSCHLAUCH KPL. KLARSPUELER	850942
8	detergent metering device	849545
8.1	SANTOPRENSCHLAUCH KPL. FLUESSIGREINIGER	850950
9	HOSE D 3X 1.5	039853
10	hose pvc D4x1 blue	849561
11	cable cpl. 2,5qmm gnge L=105mm	024252
11	cable cpl. 4qmm gnge L=120mm	310697
12	hose transparent PVC D4x1	849588
13	THREADED CONNECTION PIECE	371610
14	suction strainer	079197

**circulation pump**



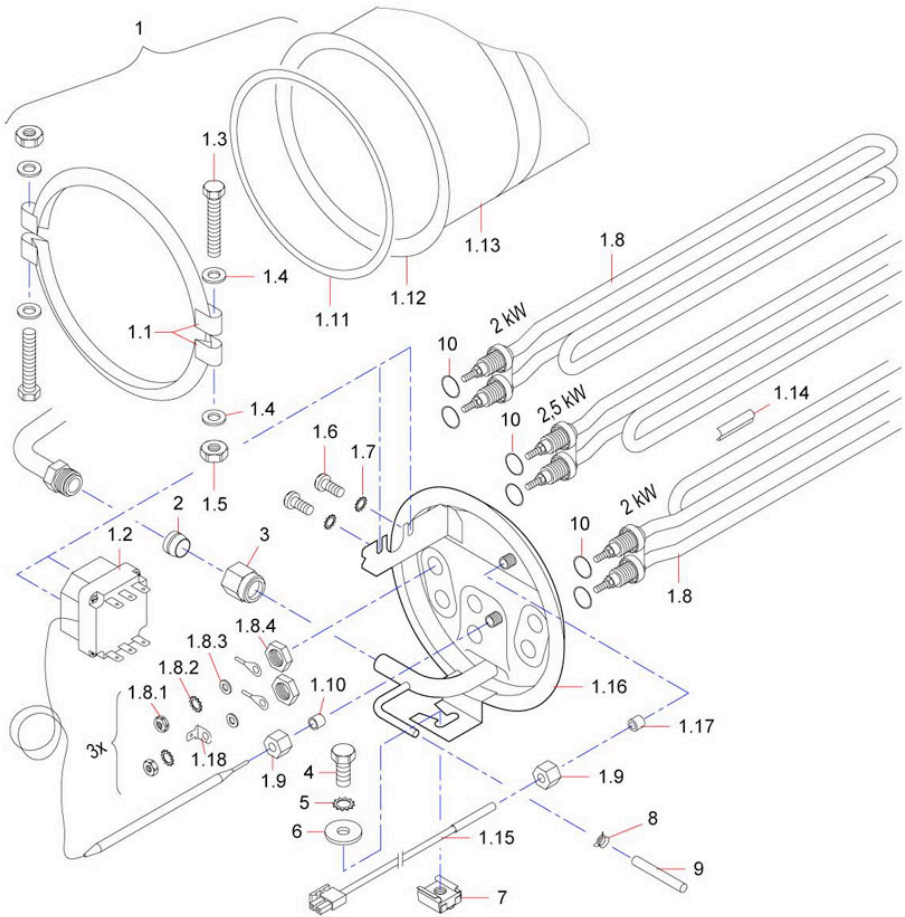
Pos.	Description	Article
1	HOSE CLIP	039292
2	HOSE CLIP	039306
3	draining hose	679615
4	hose section	339849
5	CIRCULATING PUMP D93	645486
5.1	seal pressure housing	679623
5.2	friction seal	645567
5.3	impeller dishwashing pump	728853
5.4	seal pressure housing	645532
5.5	motor capacitor	647853
5.5.1	serrated lock washer A 10.5	
5.5.2	nut	
6	SCREW M 6X16	251194
7	SERRATED LOCK WASHER A6.4 A 6 DIN 6898	006777
8	WASHER A 6.4	004014
9	angle bracket	339938
10	CAPTIVE NUT M6	194581

**tank heating, level electrode**



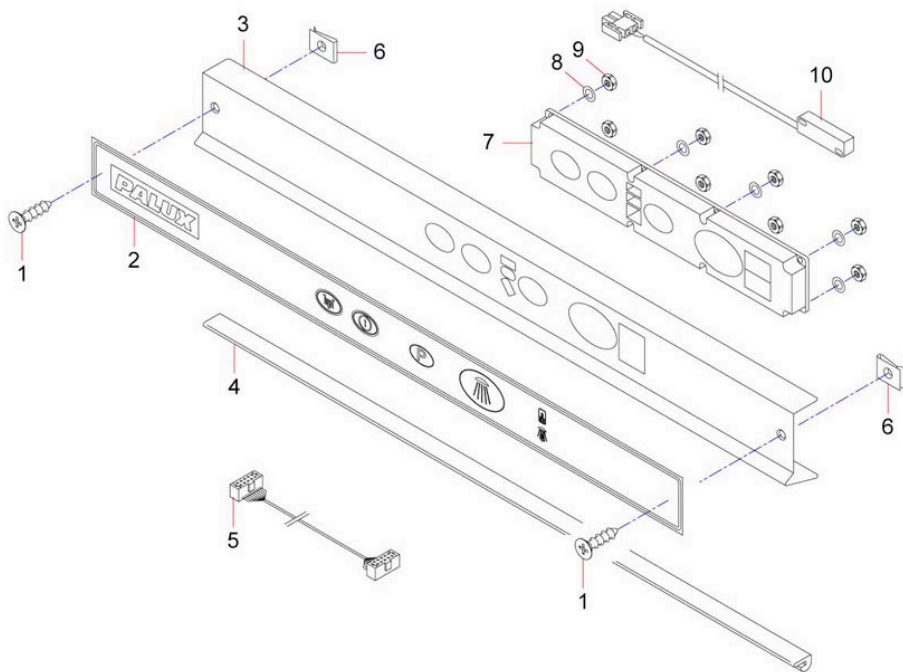
Pos.	Description	Article
1	Schlauch PVC 4x1 klar	849588
2	washer 15X25X1	280364
3	Schlauchklemme	854077
4	electrode cpl.	339830
5	NUT R 1/4	035637
6	MUTTER R 1/4 ZOLL VERNICKELT	064580
7	CAP NUT	047406
8	Squeeze nipple teflon 8x6x6	045780
9	heating element	847178
9.1	SEAL 14X2X20X3	280372
9.2	NUT M 14X1.5 BRASS NICKEL-PLATED	280356
10	MUTTER M10X1	054275
11	SEAL D20XD14X2 TEFLON	046353
12	bracket	849677
13	supply adapter	850683
14	temperature sensor NTC	849596
15	end screw	007625

**boiler**



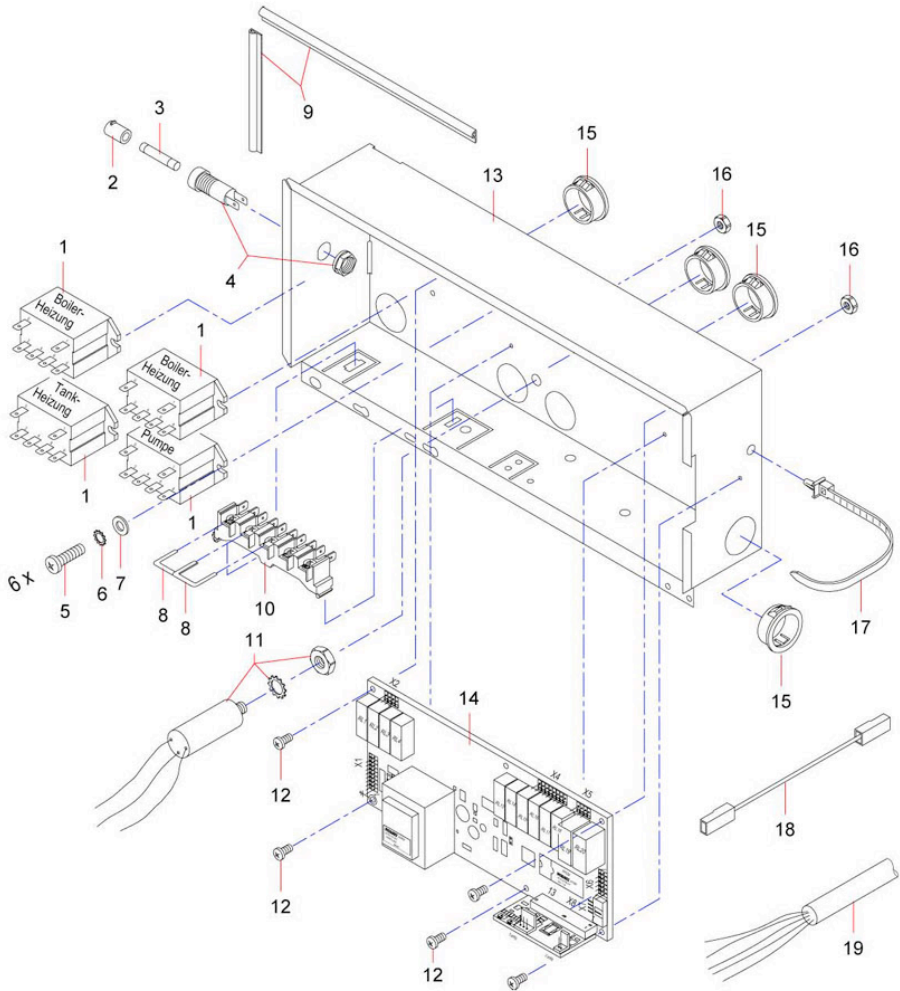
Pos.	Description	Article
1	boiler pre-ass.	849839
1.1	latch fastener	673269
1.2	SAFETY THERMOSTAT 115 C	294020
1.3	SCREW M 6X60	089958
1.4	WASHER A 6.4	004014
1.5	NUT M 6	251887
1.6	SCREW M 4X10	010502
1.7	TOOTHED LOCK WASHER J 4.3	050849
1.8	HEATING ELEMENT CPL 2 kW 230V	378577
1.8	HEATING ELEMENT CPL 2.5 KW 230V	378216
1.8.1	nut M4 1.4301 DIN 934	003905
1.8.2	TOOTHED LOCK WASHER J 4.3	050849
1.8.3	WASHER A 4.3	001007
1.8.4	HEX NUT M12X1MM	342238
1.9	CAP NUT	047406
1.10	Squeeze nipple teflon 8x6x6	045780
1.11	o-ring 135,89x6,99	335770
1.12	boiler cpl.	374202
1.13	insulation	374229
1.14	clamp	374210
1.15	temperature sensor NTC	849596
1.16	boiler lid cpl.	849502
1.17	rubber pinch nipple	849669
1.18	PLUG CONNECTOR	252700
2	CLAMPING RING	361682
3	TERMINAL NUT (1.4305)	361674
4	SCREW M 6X10	251836
5	SERRATED LOCK WASHER A6.4 A 6 DIN 6898	006777
6	WASHER A 6.4	000582
7	CAPTIVE NUT M6	194581
8	hose clamp	854077
9	HOSE D 3X 1.5	039853
10	O-RING 14X1.78MM	378674

operating panel



Pos.	Description	Article
1	SHEET-METAL SCREW B3.9X16	270881
2	control keypad	848352
3	front panel cpl.	849782
4	Rubber profile packing	360317
5	flat cable	849650
6	SNAP-ACTION NUT B3.9	227889
7	control part	849634
8	WASHER PA 6.6	357189
9	NUT M 3	362352
10	limit switch	138649

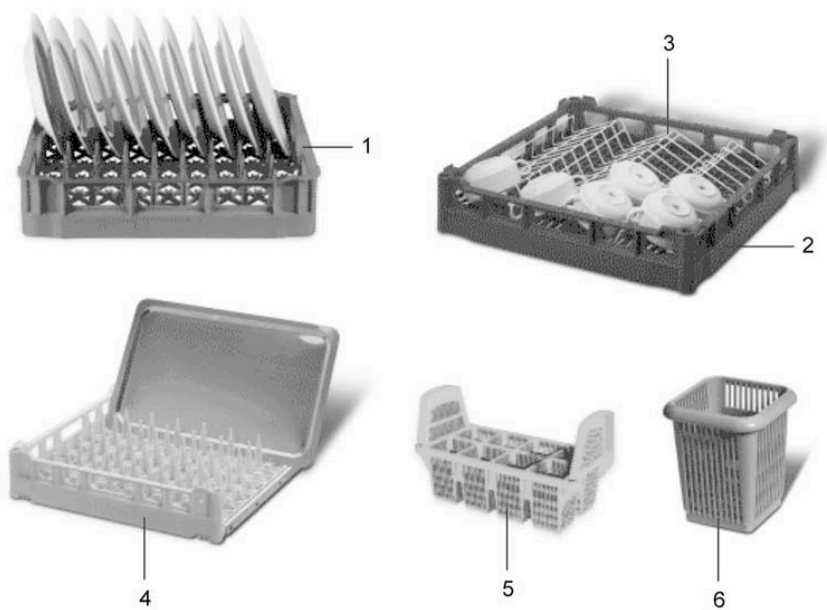
electric box





Pos.	Description	Article
1	relay	849618
2	LID FOR FUSE HOLDER	360198
3	FUSE 6.3 AMP	116831
4	FUSE HOLDER 5X20	360201
5	SCREW M 4X8	001015
6	TOOTHED LOCK WASHER J 4.3	050849
7	WASHER A 4.3	001007
8	connecting flap	517208
9	TESAMOLL HOLLOW SECTION SEALIN	351059
10	mains connecting block	829927
11	capacitor	
12	SCREW M 3X8	010383
13	electric box	848360
14	control PCB (incl. EPROM)	849626
15	snap fitting	140937
16	NUT M 3	000396
17	armature clamp detachable	388017
18	cable cpl.	331384
19	mains cable	311758
	set cable harness GSC 400/600 (4 pieces cable harness)	851752

basket, cutlery insert



Pos.	Description	Article
1	plate rack	851817
2	basic basket	851825
3	cup insert	853429
4	tray rack	853410
5	cutlery insert	853402
6	cutlery cylinder	853399