

# Service part catalogue

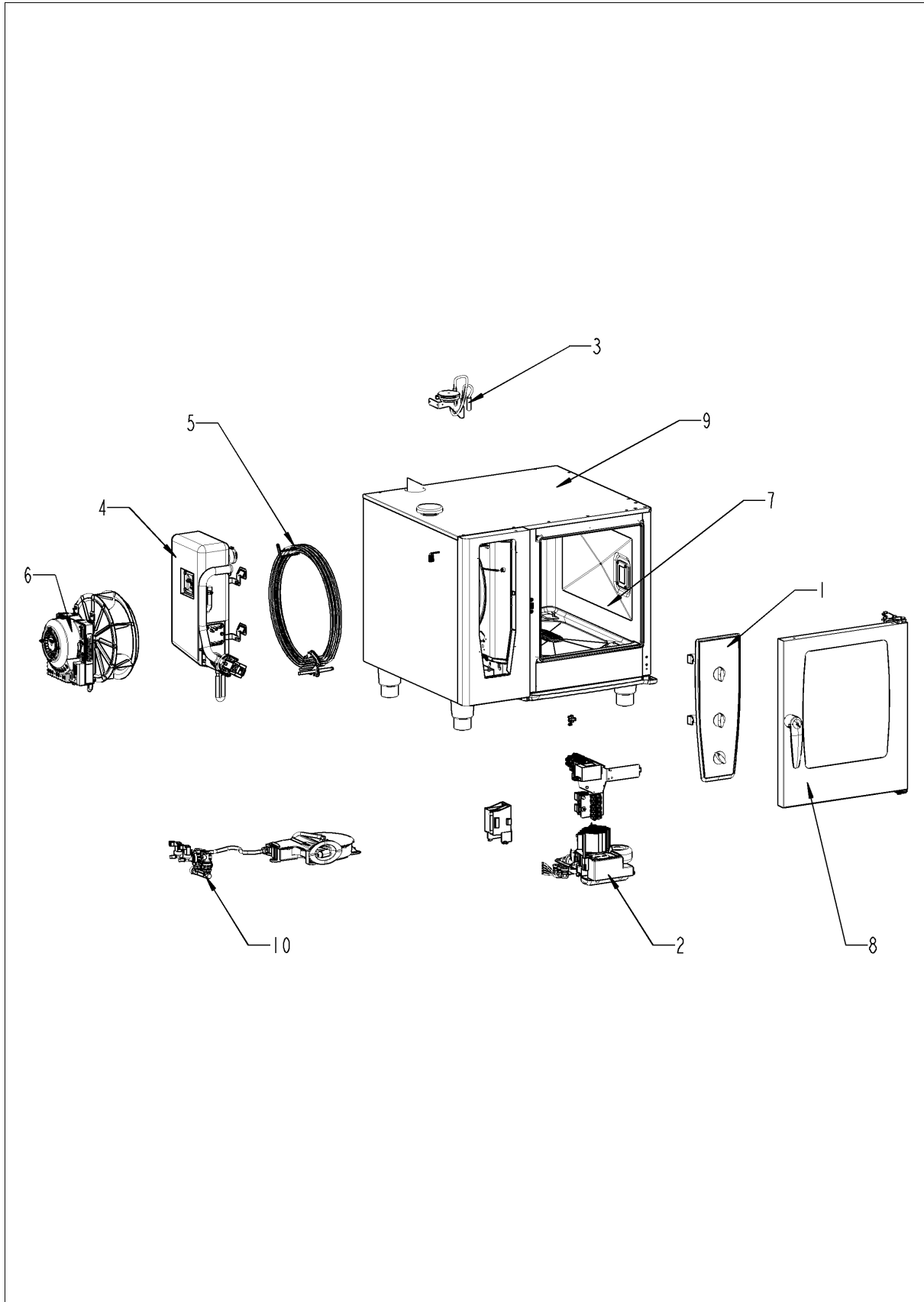
SelfCookingCenter® 5 Senses

Combi Master 61 - 6 x 1/1 GastronormE

E61MH1407



## SelfCookingCenter® 5 Senses

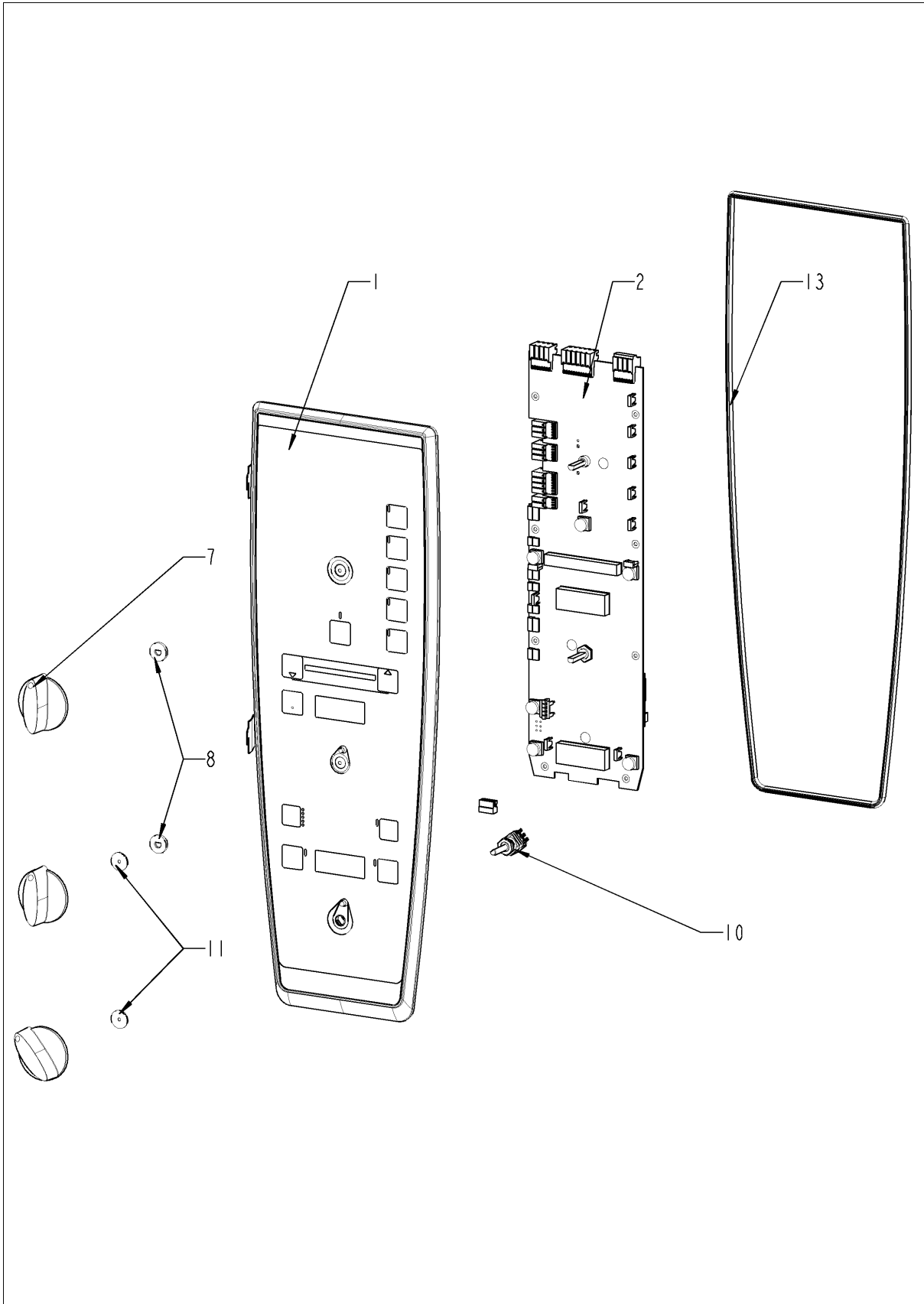


---

## SelfCookingCenter® 5 Senses

Pos.	Part No.	Description	Qty.
1		Control panel	1
2		Electrical installation	1
3		ClimaPlus	1
4		Steam generator	1
5		Hot air heating	1
6		Motor and fan wheel	1
7		Interior cabinet	1
8		Door	1
9		Exterior cabinet	1
10		Water	1
11		CleanJet + Care	1
13		Standard accessory	1

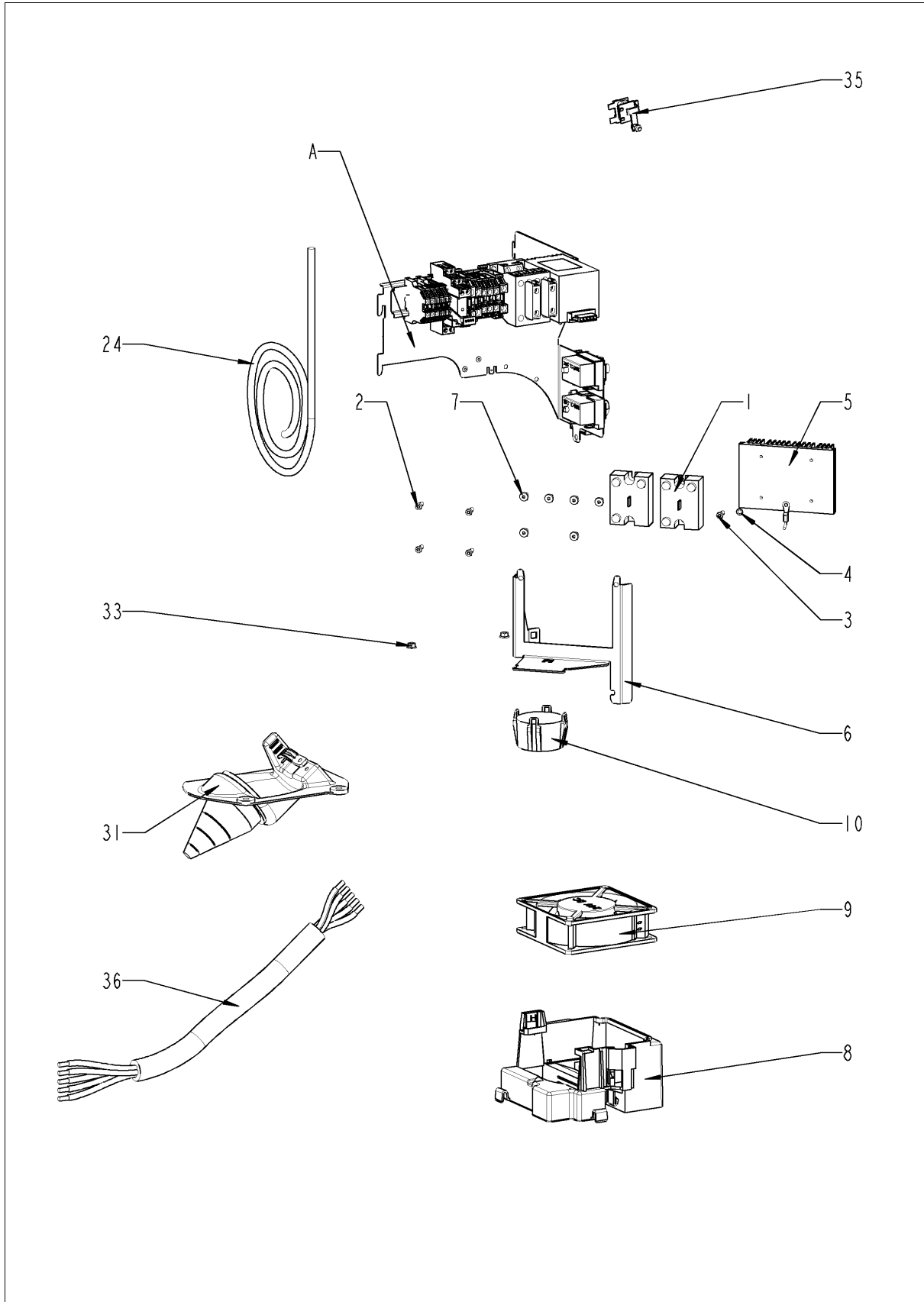
## Control panel



## **Control panel**

<b>Pos.</b>	<b>Part No.</b>	<b>Description</b>	<b>Qty.</b>
1	87.01.006	Control panel insert with overlay	1
2	42.00.161	Control pcb	1
7	16.00.282	Dial	3
8	5110.1027	Distance plate for front panel	2
10	40.00.464	Potentiometer CT	1
11	5110.1029	Gasket mode switch	3
13	16.01.908	Sealing f. panel insert	1

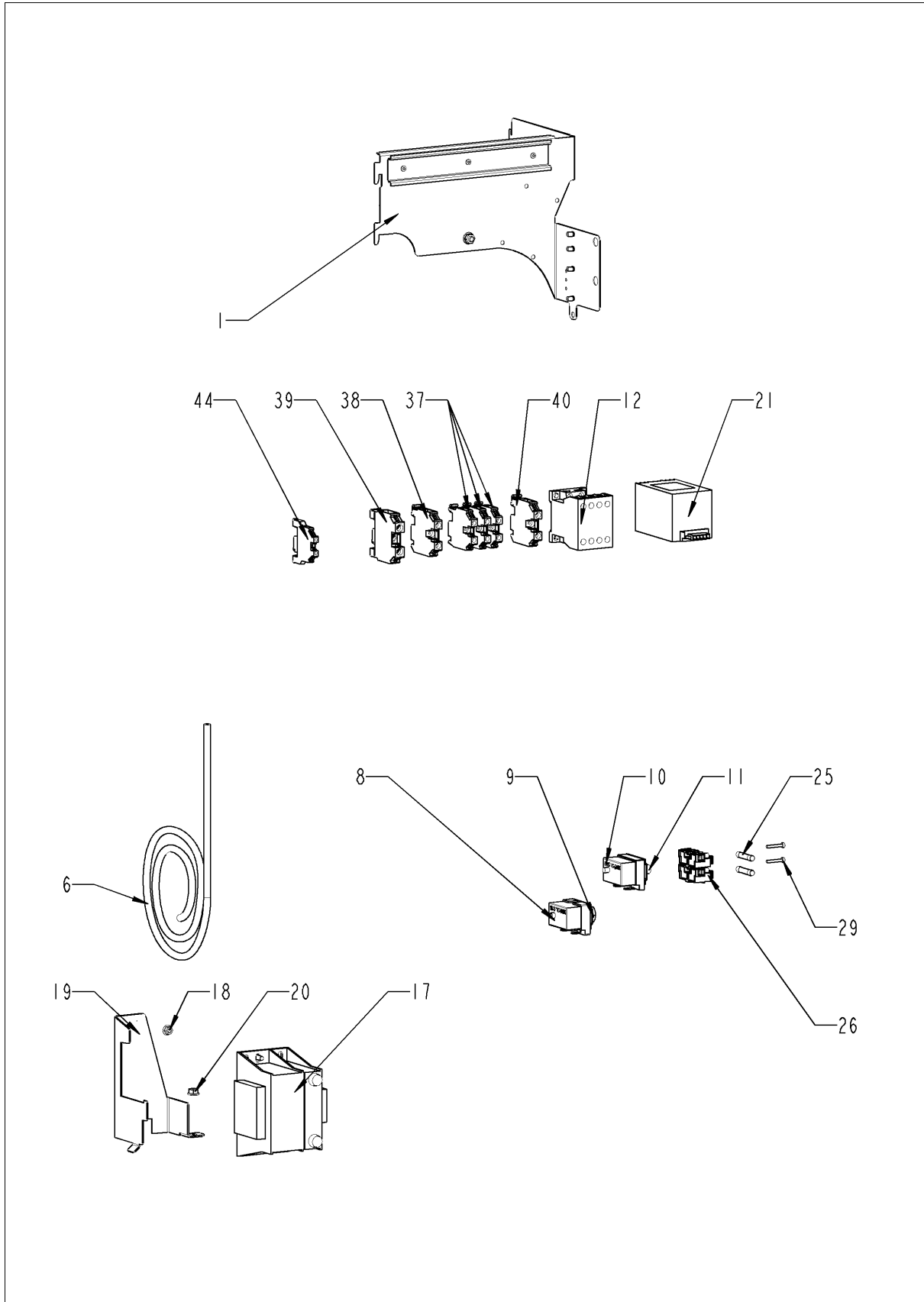
## Electrical installation



## Electrical installation

<b>Pos.</b>	<b>Part No.</b>	<b>Description</b>	<b>Qty.</b>
1	40.01.589	Solid state relais	2
2	10.00.061	Pan head screw Torx T20 M4x12	4
3	10.00.061	Pan head screw Torx T20 M4x12	1
4	1204.0120	Tooth lock washer A4,3	1
5	40.03.931	Heat sink small 2 SSR	1
6	40.03.372	Mounting device heat sink SSR	1
7	10.01.266	Pan head screw Torx T20 10,5mm	6
8	40.03.660	Fan housing	1
9	40.04.115	Cooling fan	1
10	40.03.257	Converter 230VAC 24VDC	1
24	40.03.996	Bus cable 1.15m	1
31	40.00.306	Cable entry	1
32	40.03.732	Tie rap 160 mm	1
33	1105.0121	Hex combination nut M5 galv	2
35	40.04.048	Buzzer	1
36	8801.0134	Power supply cable 5x2,5mm <sup>2</sup> 3m	1
A		Electrical installation	1

## Electrical installation

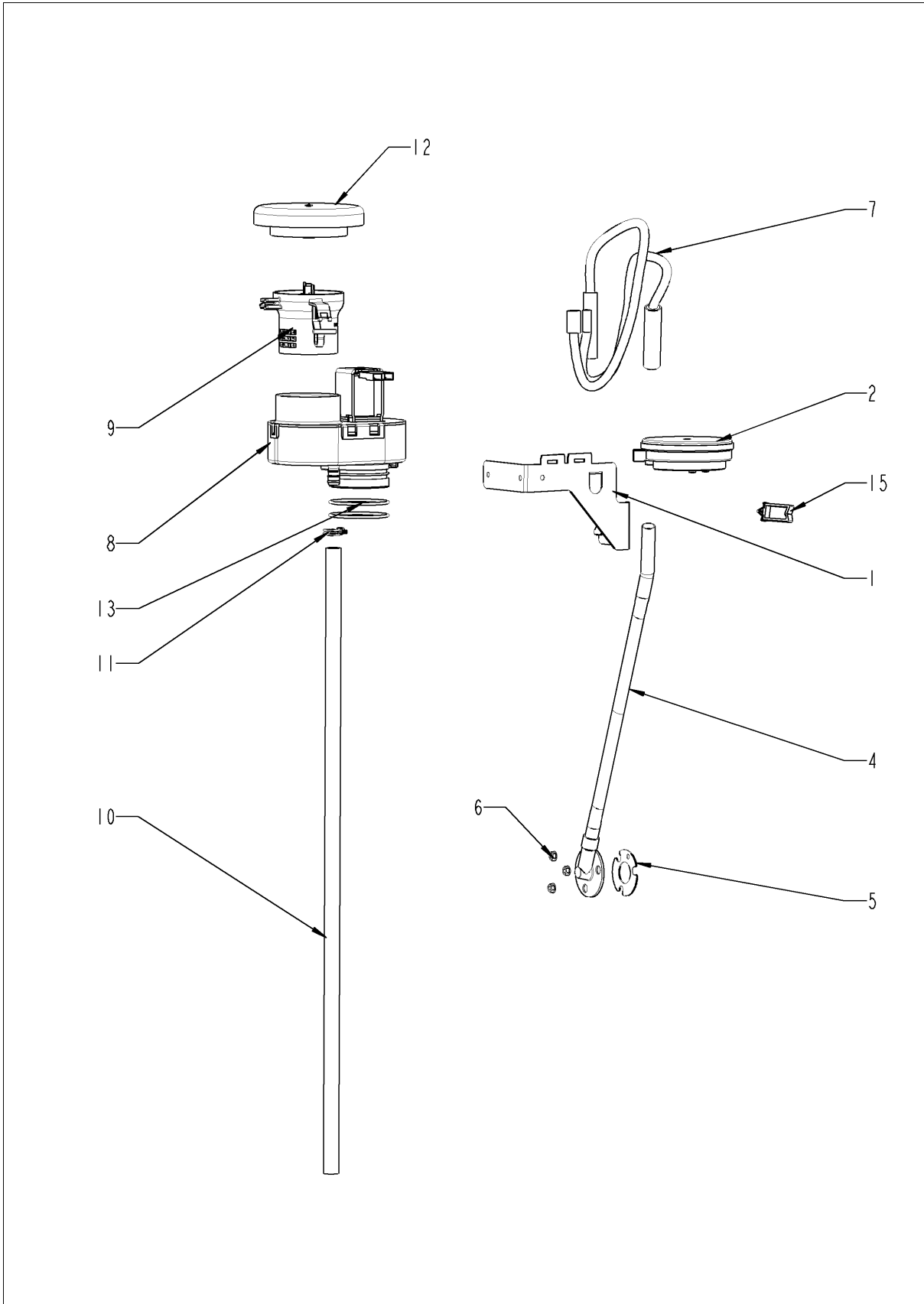




## Electrical installation

<b>Pos.</b>	<b>Part No.</b>	<b>Description</b>	<b>Qty.</b>
1	40.03.322	Contacteur assembly	1
6	40.03.799	Cable control harness	1
8	40.01.329	Dry up protector 183°	1
9	3014.0302	Hex nut M10 for dry-up protector	1
10	40.01.482	Safety temperature limiter 365°C	1
11	3014.0327	Hex nut M10x1,0	1
12	40.03.667	Contacteur B&J K3-10A10 190 R	1
17	40.03.348	Control transformer T1	1
18	10.01.065	Hex nut M5	1
19	40.03.404	Mounting support transformer	1
20	10.01.065	Hex nut M5	1
21	40.02.424	Electronic noise filter	1
25	4001.0224	Fuse 6.35x32mm	2
26	40.02.512	Fuse holder 2x6.3A	1
29	10.00.365	Pan head screw Torx M3x20	2
37	40.03.952	Terminal block grey WKN 6/U	3
38	40.04.118	Terminal block blue WKN10/U	1
39	40.03.728	Earth terminal WKN 16SL/U	1
40	40.03.955	Terminal block grey WKN 10/U	1

# ClimaPlus

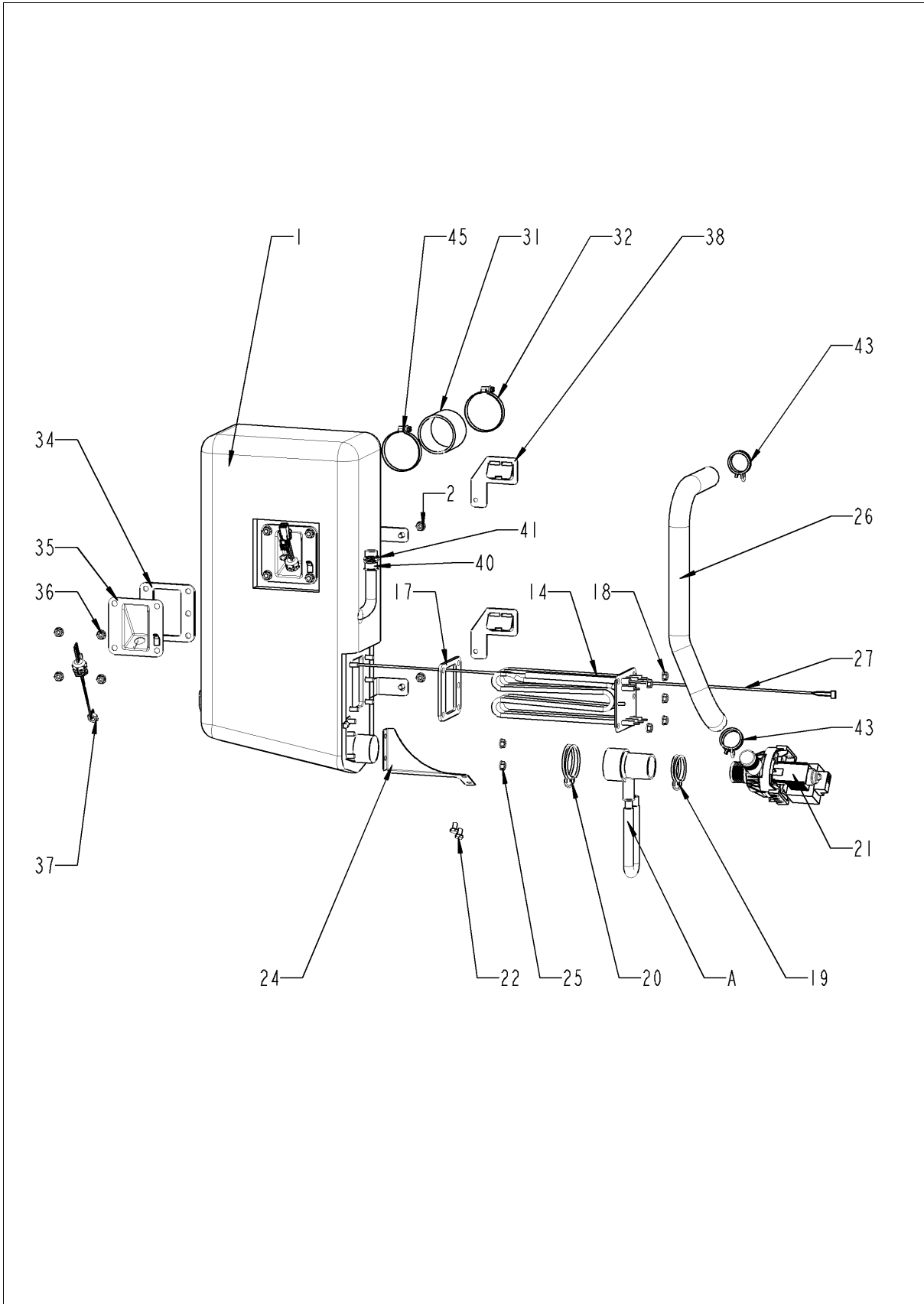


---

## **ClimaPlus**

<b>Pos.</b>	<b>Part No.</b>	<b>Description</b>	<b>Qty.</b>
1	22.00.882	Mounting device f. pressure sensor	1
2	3017.1011	Pressure sensor for humidity control Huba 401	1
4	22.00.850	Outer humidity meas. Piece	1
5	22.00.881	Gasket f. hum. meas. Pipe	1
6	1104.0122	Hex combination nut M4 galv	3
7	22.00.525	Hose set f. humidity control	1
8	22.00.725	Humidity control cpl.	1
9	22.00.914	Air inlet pipe	1
10	22.00.961	Drain hose for humidity control	1
11	2066.0527	Hose clamp ø14mm	2
12	22.00.767	Vent cover	1
13	22.00.837	O-ring for humidity control	2
15	10.00.111	Cable clip long	2

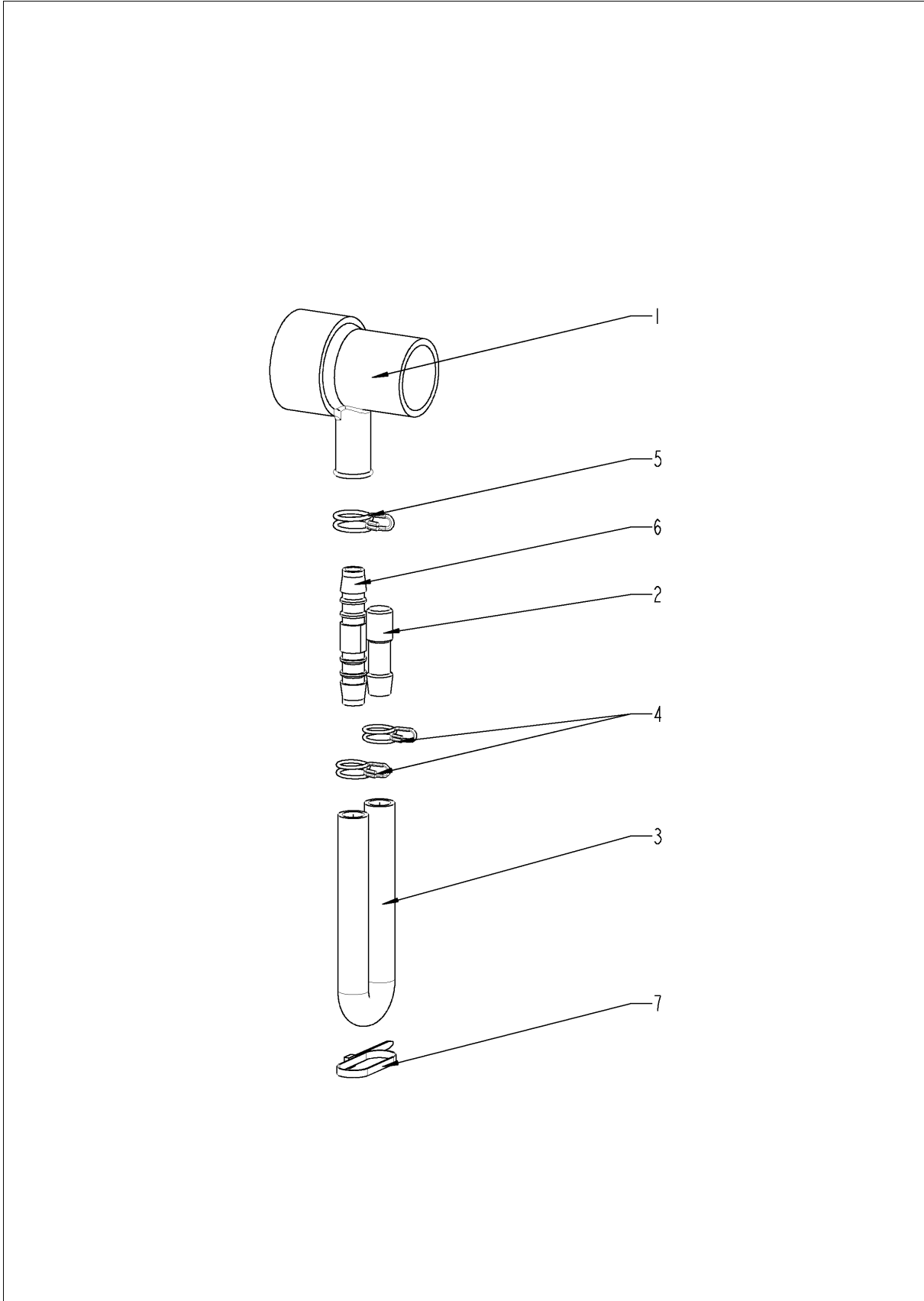
# Steam generator



## Steam generator

<b>Pos.</b>	<b>Part No.</b>	<b>Description</b>	<b>Qty.</b>
1	44.00.937	Steam generator insolated	1
2	10.00.709	Hex nut M6 w. locking	2
14	44.01.332	Heating element	1
17	44.00.280	Gasket f. heating element+Level elektrode insert	1
18	10.00.709	Hex nut M6 w. locking	5
19	2066.0519	Hose clamp 35,6mm	1
20	2066.0526	Hose clamp ø46mm	1
21	44.00.207	Emptying pump	1
22	1006.0762	Hex screw M6x10	2
24	44.01.201	Fixing device f. pump steam generator	1
25	10.00.709	Hex nut M6 w. locking	2
26	44.01.219	Drain hose steam generator	1
27	40.04.105	Thermocouple steam generator *B5*	1
29	10.00.414	Cable strap black 120°	1
30	1104.0122	Hex combination nut M4 galv	1
31	2112.1006	Steam hose Ø50x50mm	1
32	2066.0504	Hose clamp 40-60mm	1
34	44.00.280	Gasket f. heating element+Level elektrode insert	1
35	2920.1300	Level elektrode insert	1
36	10.00.709	Hex nut M6 w. locking	4
37	44.01.417	Filling level electrode 90 mm	1
38	44.01.168	Fixing angle steam generator	2
40	44.01.031	Closing cap for steam generator	1
41	10.00.982	Hose clamp D=18.2	1
43	2066.0518	Hose clamp 30mm	2
45	2066.0504	Hose clamp 40-60mm	1
A	8354.1320	Pump connection spout cpl.	1

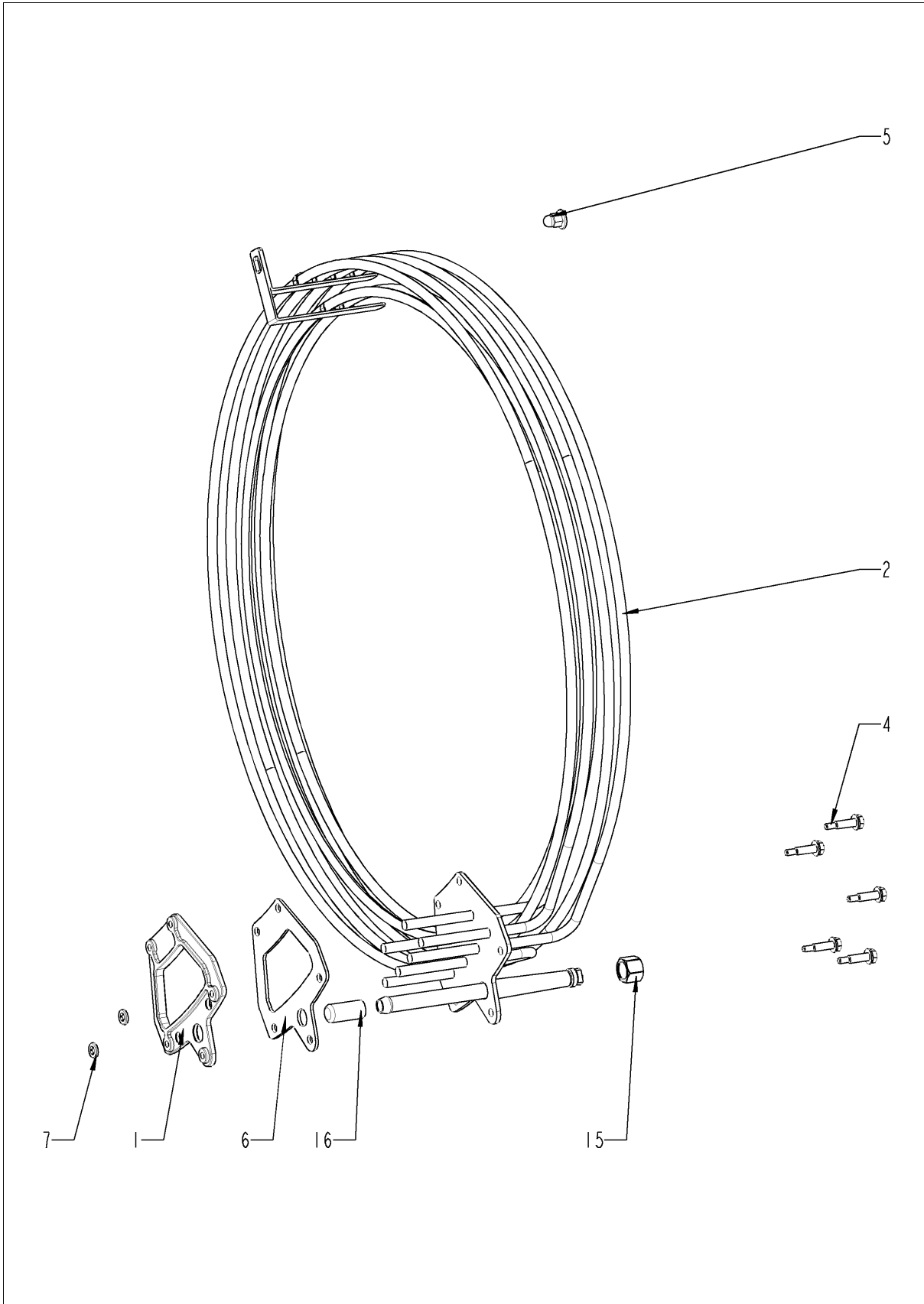
## Pump connection spout



## Pump connection spout

Pos.	Part No.	Description	Qty.
1	2118.1000	Pump connection spout	1
2	2120.1259	Stop plug 10mm	1
3	2110.1008	Silicon hose ø10x2mm	1
4	2066.0527	Hose clamp ø14mm	2
5	2066.0530	Hose clamp ø16.4mm	1
6	2062.0331	Junction pressure hose GS 10	1
7	4005.0101	Tie rap 145 mm	1

# Hot air heating

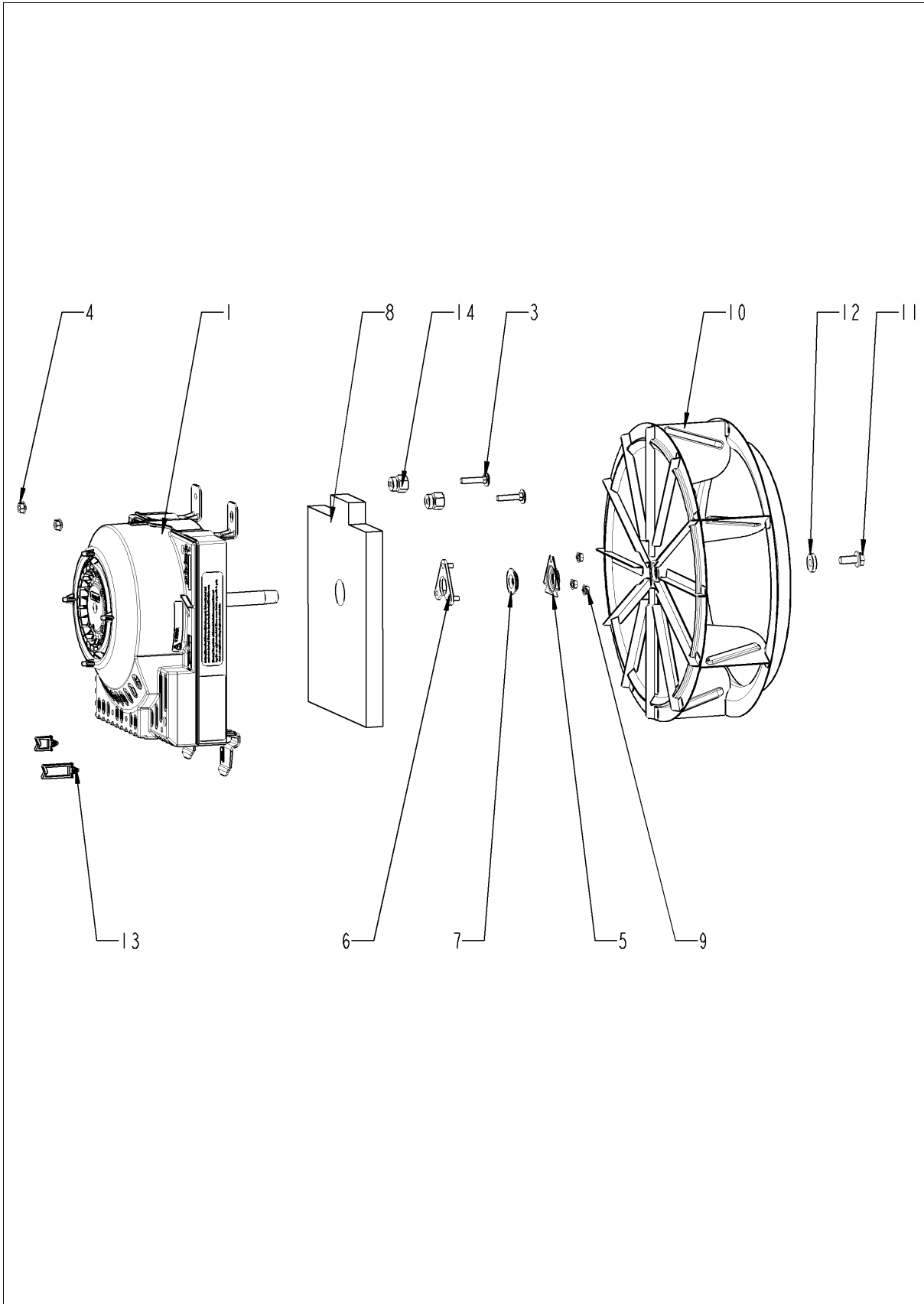




## Hot air heating

Pos.	Part No.	Description	Qty.
1	40.03.411	Mating flange f. heating assembly	1
2	40.03.921	Heating assembly	1
4	10.00.109	Hex screw M5x23	5
5	10.01.076	Cap nut M5*A2	1
6	40.03.414	Gasket f. heating assembly	1
7	1107.0103	Star lock ø3	2

## Motor and fan wheel

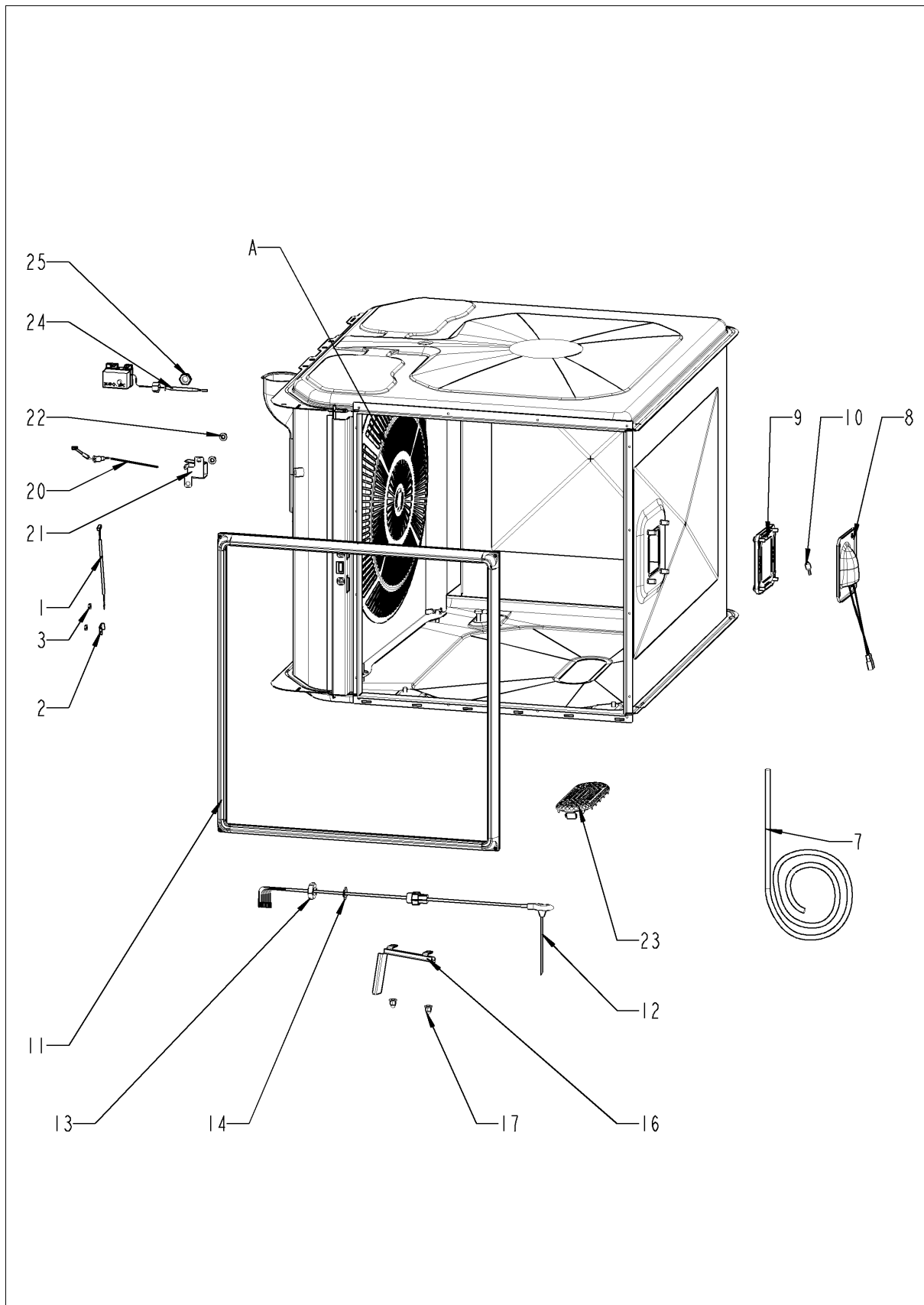


---

## Motor and fan wheel

<b>Pos.</b>	<b>Part No.</b>	<b>Description</b>	<b>Qty.</b>
1	40.03.378	Fan motor with motor shaft gasket	1
3	10.01.049	Square necked mushroom head bolt 6x30	4
4	10.00.709	Hex nut M6 w. locking	2
5	22.00.721	Flange f. motor shaft gasket	1
6	22.00.722	Mounting support f. gasket flange	1
7	22.00.985	Motor shaft gasket D15	1
8	20.01.755	Isolation for mounting plate for motor	1
9	10.01.065	Hex nut M5	3
10	22.00.828	Fan wheel	1
11	10.00.936	Hex screw M8x20	1
12	1308.0162	Washer A8,4	1
13	10.00.111	Cable clip long	3
14	20.01.411	Bushing for motor mounting bar	4

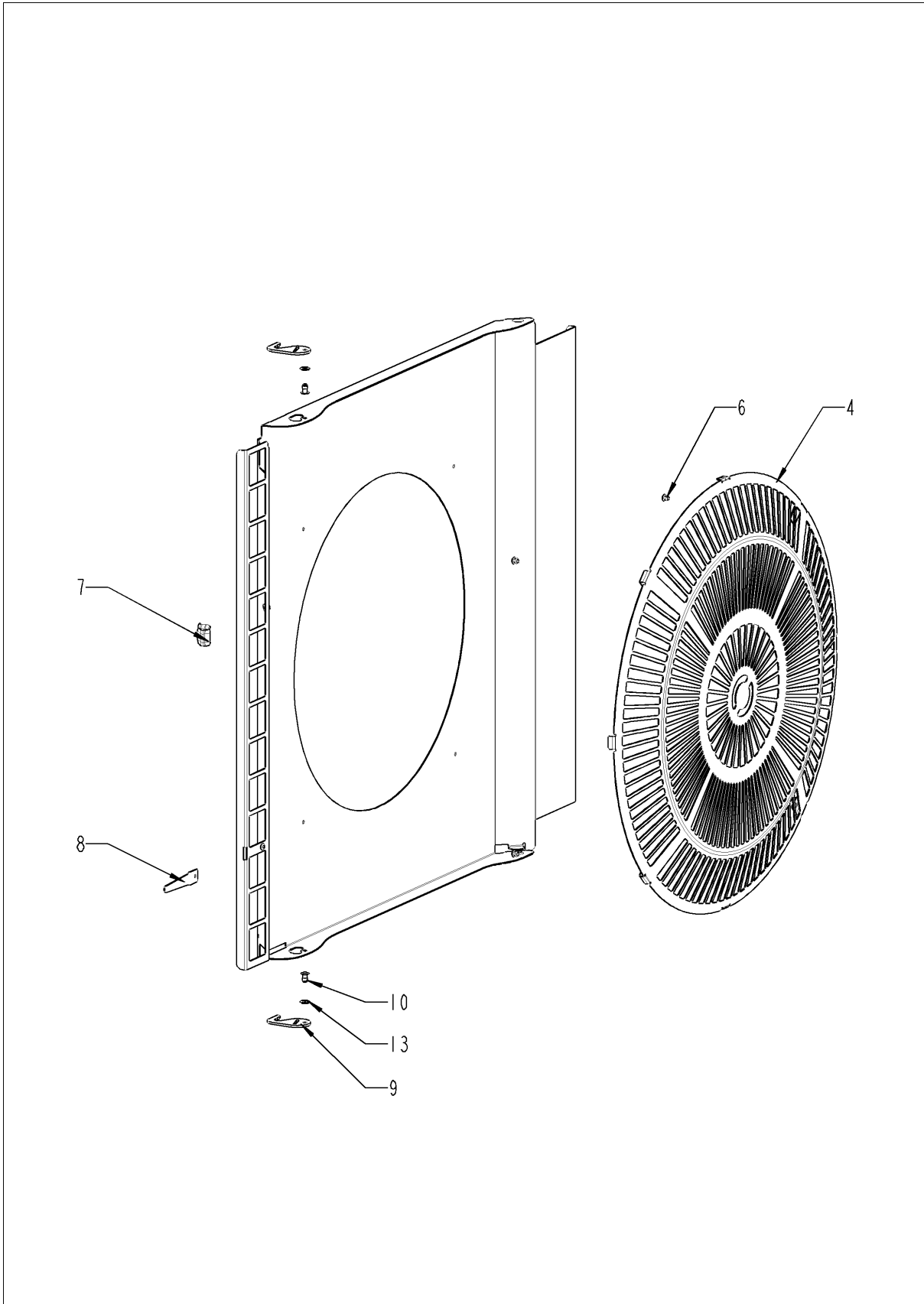
## Interior cabinet



## Interior cabinet

<b>Pos.</b>	<b>Part No.</b>	<b>Description</b>	<b>Qty.</b>
1	40.00.290	Thermocouple humidity *B4*	1
2	10.00.087	Clamp strap f. sensor	1
3	10.00.100	Hex nut M4, self-locking	1
7	40.04.362	Wiring interior light	1
8	40.00.098	Reflector f. interior light	1
9	40.00.091	Gasket frame w. glass a. gaskets	1
10	3024.0201	Halogen bulb 300°C	1
11	20.01.800	Door gasket	1
12	40.04.037	Meat probe sensor	1
13	10.00.612	Hex nut M16 flat	1
14	1315.0104	Copper washer 16x20x1,5	1
16	40.04.373	Screen core temperature sensor	1
17	10.01.076	Cap nut M5*A2	2
20	40.03.488	Thermocouple interior cabinet B1	1
21	40.03.782	Screen interior cabinet sensor	1
22	10.01.076	Cap nut M5*A2	2
23	54.01.117	Outlet sieve	1
24	40.01.482	Safety temperature limiter 365°C	1
25	3014.0327	Hex nut M10x1,0	1
A	22.00.920	Air baffle	1

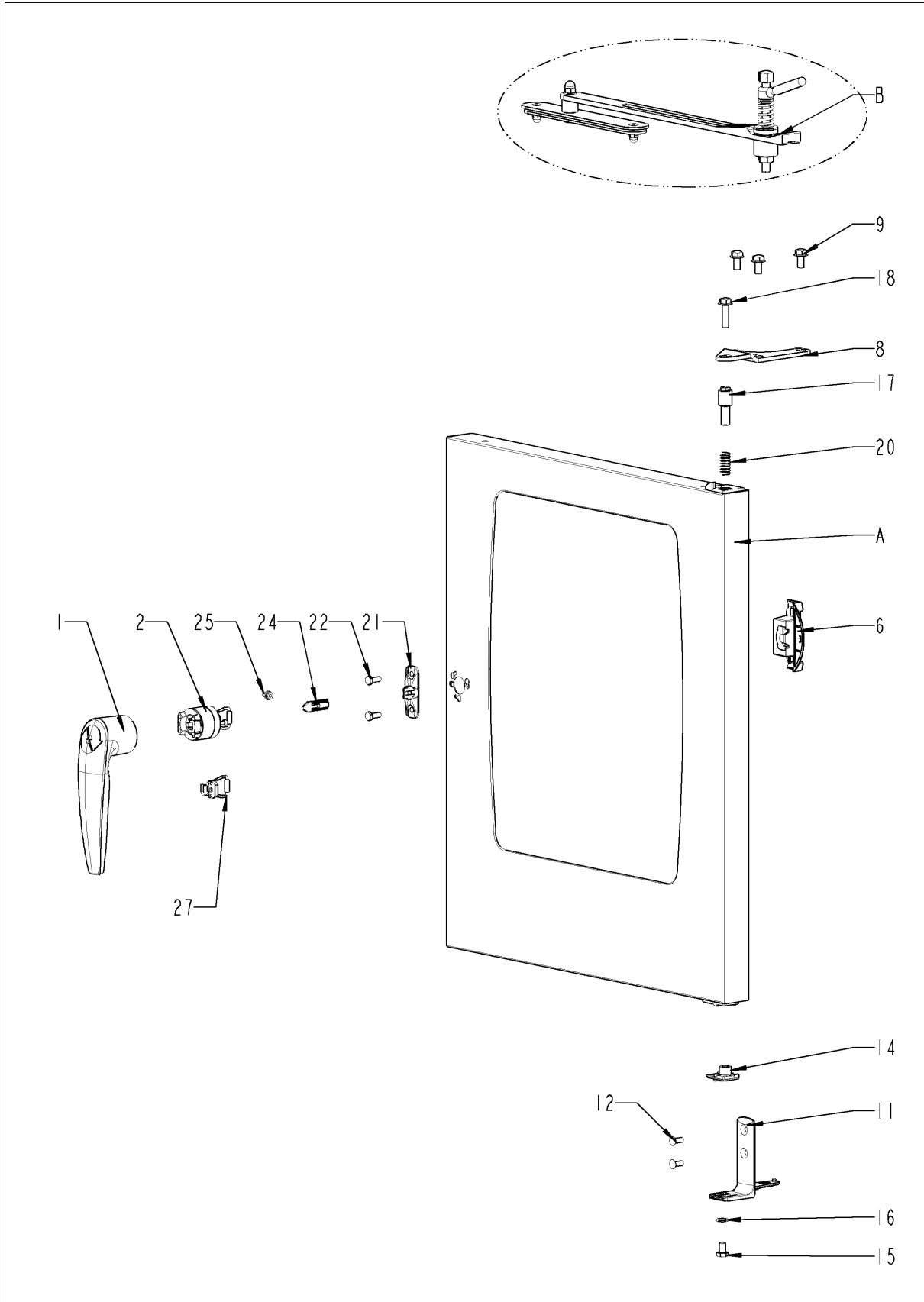
## Air baffle



## Air baffle

Pos.	Part No.	Description	Qty.
4	22.00.734	Hand protection	1
6	10.00.515	Rivet 3,2x5 A4	4
7	40.03.780	Fixing clip core temp. cable	1
8	22.00.491	Surge guard for Meat probe sensor	1
9	2760.1370	Latch hook for air baffle	2
10	1604.0167	Rivet 4x10	3
13	10.00.744	Washer A4,3 *A4	1

# Door

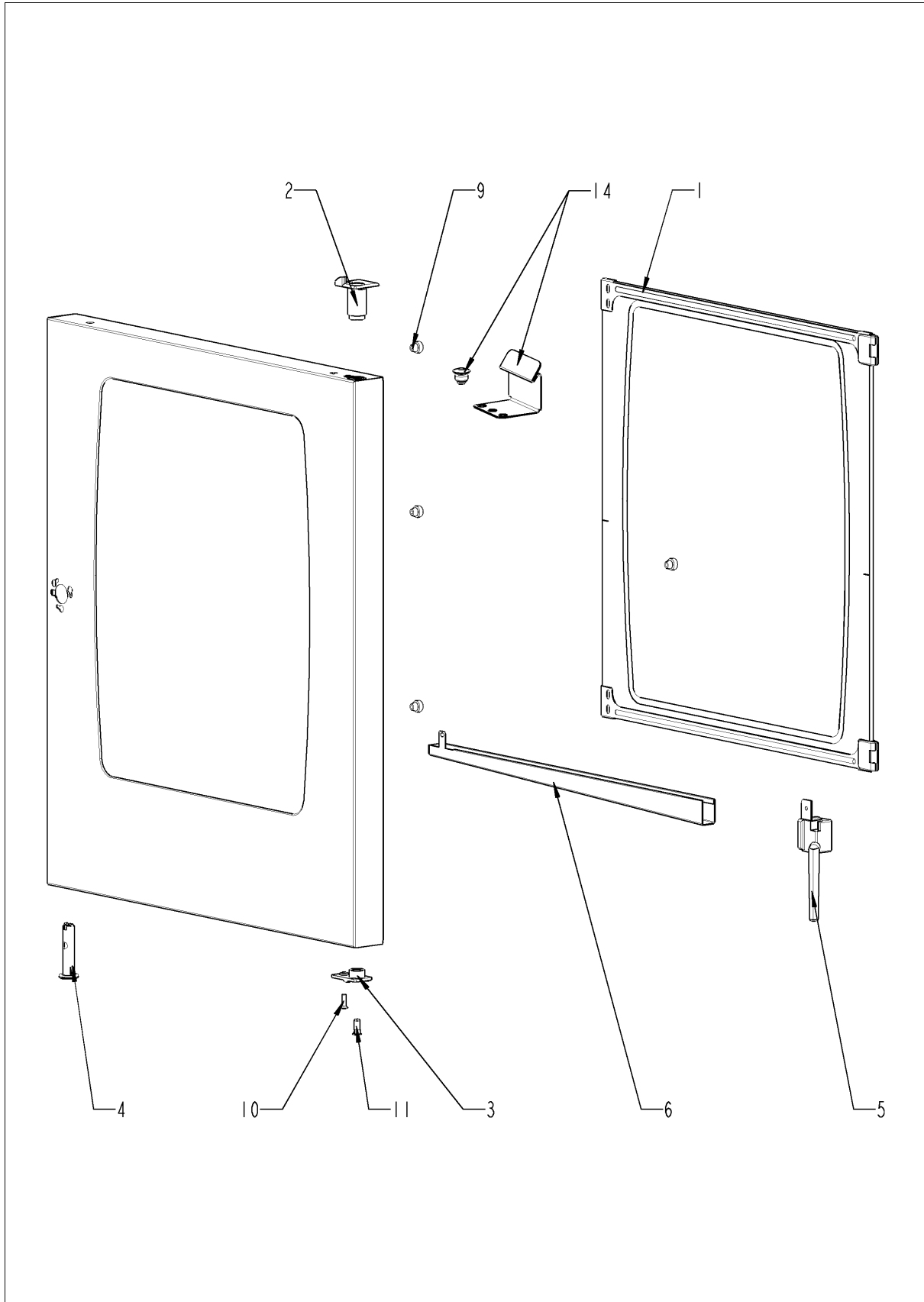




## Door

<b>Pos.</b>	<b>Part No.</b>	<b>Description</b>	<b>Qty.</b>
1	24.00.152	Door handle	1
2	24.00.176	Door lock with spring U-bolt	1
6	24.00.504	Lock cover	1
8	24.00.133	Door mounting support top	1
9	1008.0768	Ornamental screw M8x16	3
11	24.00.223	Door mounting support bottom	1
12	1006.1962	Countersunk screw Torx M6x16	2
14	24.00.137	Door bolt	1
15	10.01.162	Hex screw M8x10	1
17	24.00.048	Door bolt	1
18	1008.0769	Ornamental screw M8x30	1
20	2001.0109	Compression spring	1
21	24.00.141	Holding bracket f. door catch	1
22	1006.0760	Hex screw M6x16	2
24	24.00.142	Door catch	1
25	1005.2000	Interlocking tooth screw M5x8	1
27	24.01.100	Spring U-bolt for door lock	1
A	24.00.088	Door	1

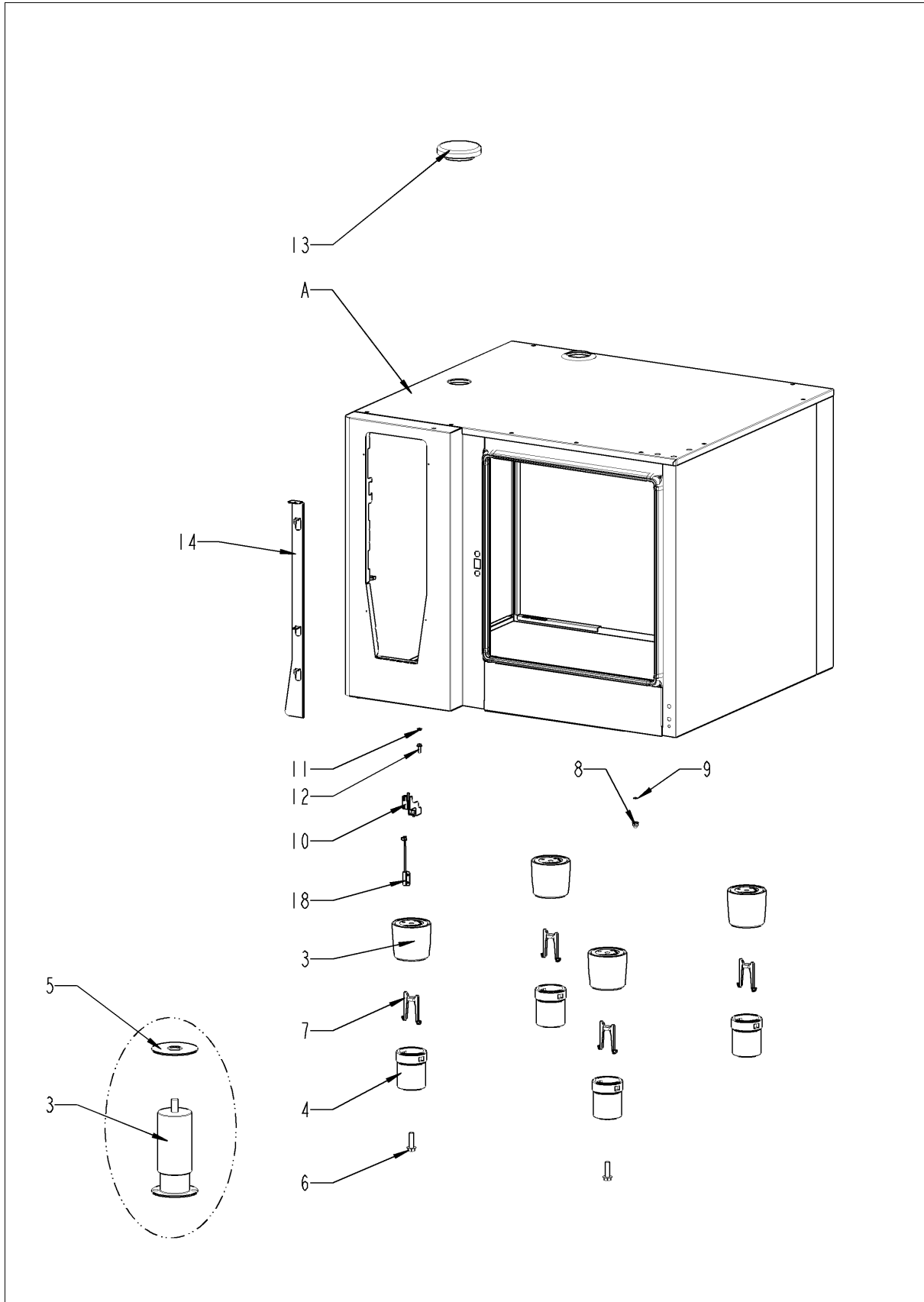
# Door



## **Door**

<b>Pos.</b>	<b>Part No.</b>	<b>Description</b>	<b>Qty.</b>
1	24.00.163	Inner door pane	1
2	24.00.147	Sleeve for door bolt top	1
3	24.00.146	Door setting bolt	1
4	24.00.502	Fixing device f. magnet with magnet	1
5	24.01.188	Drain door drip collector	1
6	24.01.800	Door drip collector	1
9	24.00.171	Silicone buffer 7mm for door	1
10	1005.1966	Countersunk screw Torx M5x16	2
11	10.00.041	Rivet nut M5 hexagon closed	2
14	87.00.077	Fixing bracket kit for interior glass pane	1

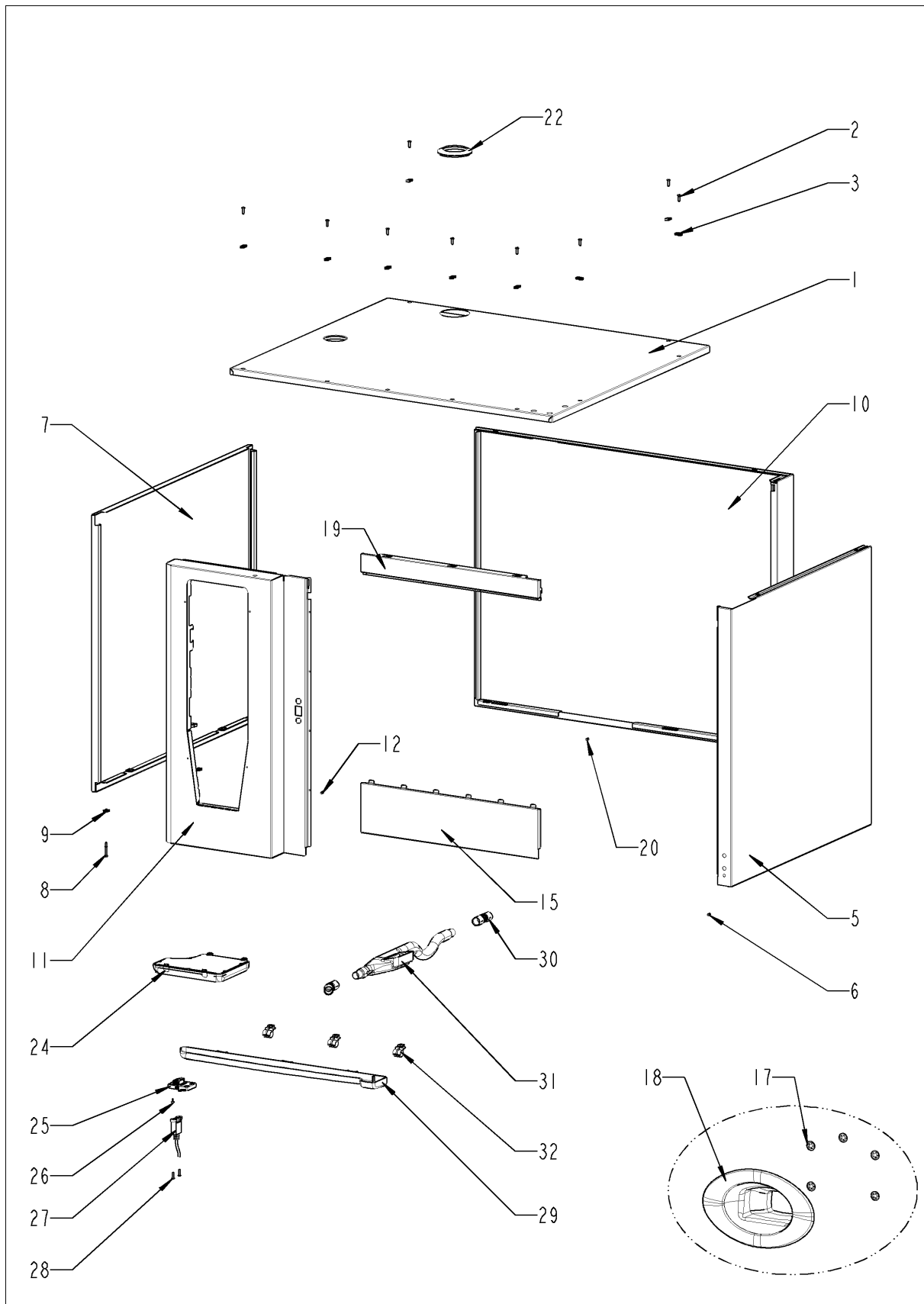
## Exterior cabinet



## Exterior cabinet

<b>Pos.</b>	<b>Part No.</b>	<b>Description</b>	<b>Qty.</b>
1	1104.0820	Snap nut 4,2mm	2
3	12.00.205	Upper part of pedestal	1
4	12.01.133	Lower part of pedestal	4
6	10.00.975	Hex screw M10x35	1
7	12.00.516	Turning lock f. lower part of pedestal	1
8	10.00.745	Cap nut M6*A2	1
9	1206.0120	Tooth lock washer A6,4	1
10	16.01.146	Bracket for door contact switch	1
11	1105.0123	Hex combination nut M4	1
13	22.00.767	Vent cover	1
14	16.01.965	Opening mechanism for panel insert	1
18	40.04.342	Door switch 0.45m	1
A		Exterior cabinet	1

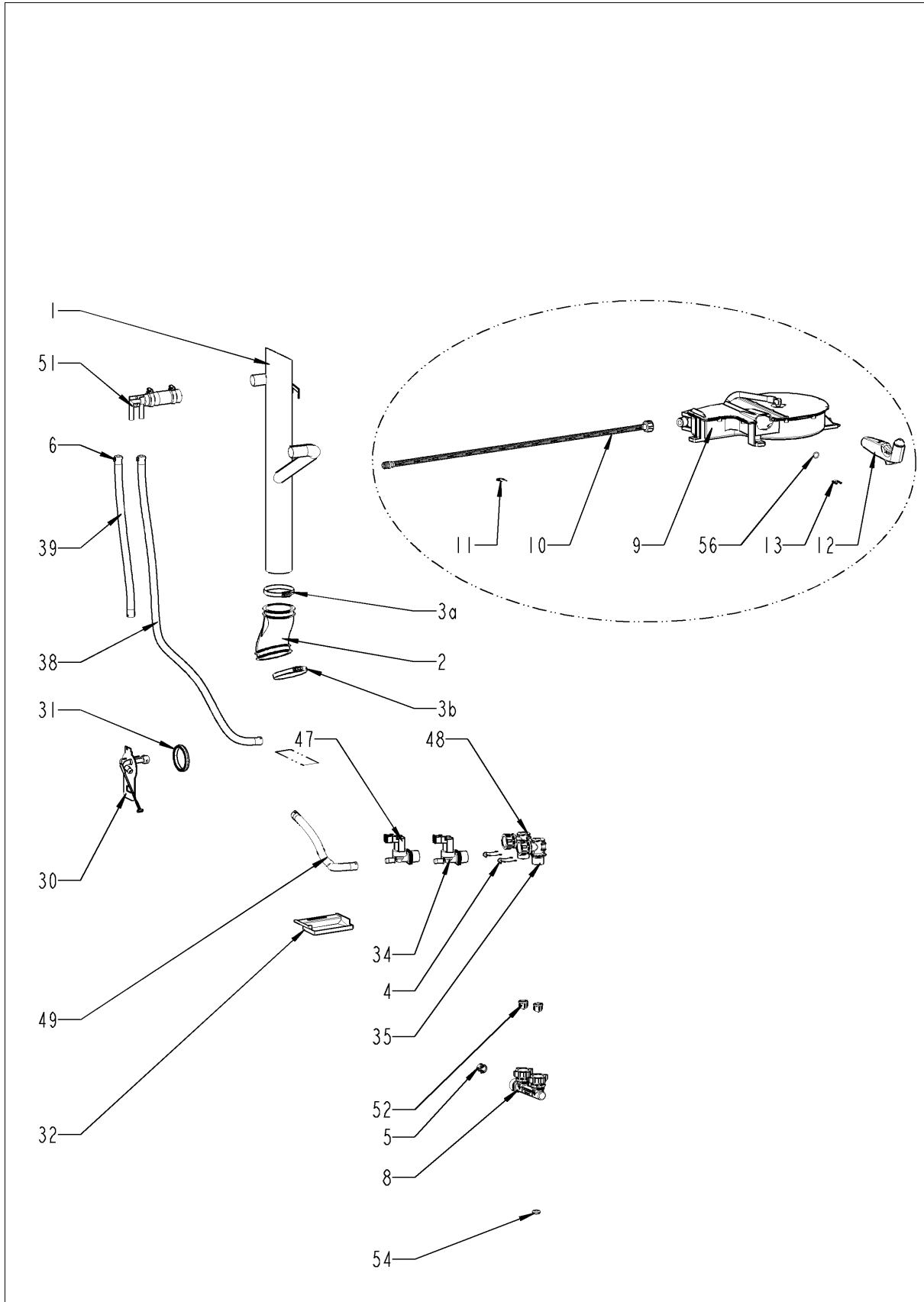
## Exterior cabinet



## Exterior cabinet

<b>Pos.</b>	<b>Part No.</b>	<b>Description</b>	<b>Qty.</b>
1	16.02.152	Top cover	1
2	1003.2265	Countersunk self tapping screw 4,2x16	9
3	1104.0820	Snap nut 4,2mm	9
5	16.00.135	Side panel right	1
6	1603.0166	Rivet 3,2x7,9 CNS closed	4
7	16.00.136	Side panel left	1
8	10.00.992	Hex self tapping screw B4,2x32	2
9	1104.0820	Snap nut 4,2mm	2
10	16.01.924	Back panel	1
11	16.01.855	Front panel	1
12	1603.0166	Rivet 3,2x7,9 CNS closed	4
15	16.02.621		1
16	1004.2160	Hex self tapping screw 4,2x16	2
19	16.00.180	Crossbar top	1
20	1603.0166	Rivet 3,2x7,9 CNS closed	4
22	16.01.748	Gasket f. breather tube d=63mm	1
24	40.02.684	Air inlet filter cpl.	1
25	16.00.329	Cover f. USB interface	1
26	10.00.103	EJOT PT-screw KA 3.5x10	1
27	40.04.046	Interface cable USB 1.0m	1
28	10.00.460	EJOT PT-Screw Torx 3,5x14	2
29	50.00.286	Drip collector	1
30	50.00.303	Bushing drip collector	2
31	50.01.613	Drain pipe with bushing	1
32	50.00.296	Clip f. drip collector	3

# Water





## Water

Pos.	Part No.	Description	Qty.
1	54.01.108	Ventilation pipe	1
2	54.01.141	Rubber form piece venting pipe	1
3a	10.01.261	Hose clamp 66 mm	1
3b	10.01.262	Hose clamp 76 mm	1
4	50.00.086	Locking plate f. water distribution	1
5	1900.0202	Water filter	1
6	2066.0205	Hose clamp 8-16x9 mm SW 7mm	1
8	50.00.313	T-fitting water connection	1
9	50.00.140	Hand shower roll guide	1
10	50.01.213	Connect. hose f. hand shower roll guide	1
11	50.00.085	Plug-in spring f. hand shower roll guide	1
12	50.00.130	Hand shower	1
13	50.00.156	Clamp f. hand shower roll guide	1
15	1105.0121	Hex combination nut M5 galv	1
30	54.01.148	Inspection lid, quenching nozzle, B2	1
31	54.01.168	Gasket f. inspection lid quenching	1
32	54.01.191	Collecting pan	1
33	10.00.745	Cap nut M6*A2	1
34	50.01.147	Single solenoid valve Y1	1
35	50.00.071	Water distribution hor. w/o roll guide con.	1
38	2067.0050	Pressure hose d10mm	1
39	2067.0050	Pressure hose d10mm	.39
47	50.01.146	Single solenoid valve Y2	1
48	50.00.070	Water distribution hor roll guide con.	1
49	2067.0050	Pressure hose d10mm	.28
51	8354.1304	Venting valve for steam generator	1
52	1900.0202	Water filter	2
54	2022.0101	Grommet d8mm	1
56	50.00.554	O-ring for hand shower 11x2mm	2
56	50.00.554	O-ring for hand shower 11x2mm	2



**Combi Master 61 - 6 x 1/1 GastronormE**  
E61MH1407

---

## **CleanJet + Care**

**Combi Master 61 - 6 x 1/1 GastronormE**  
E61MH1407

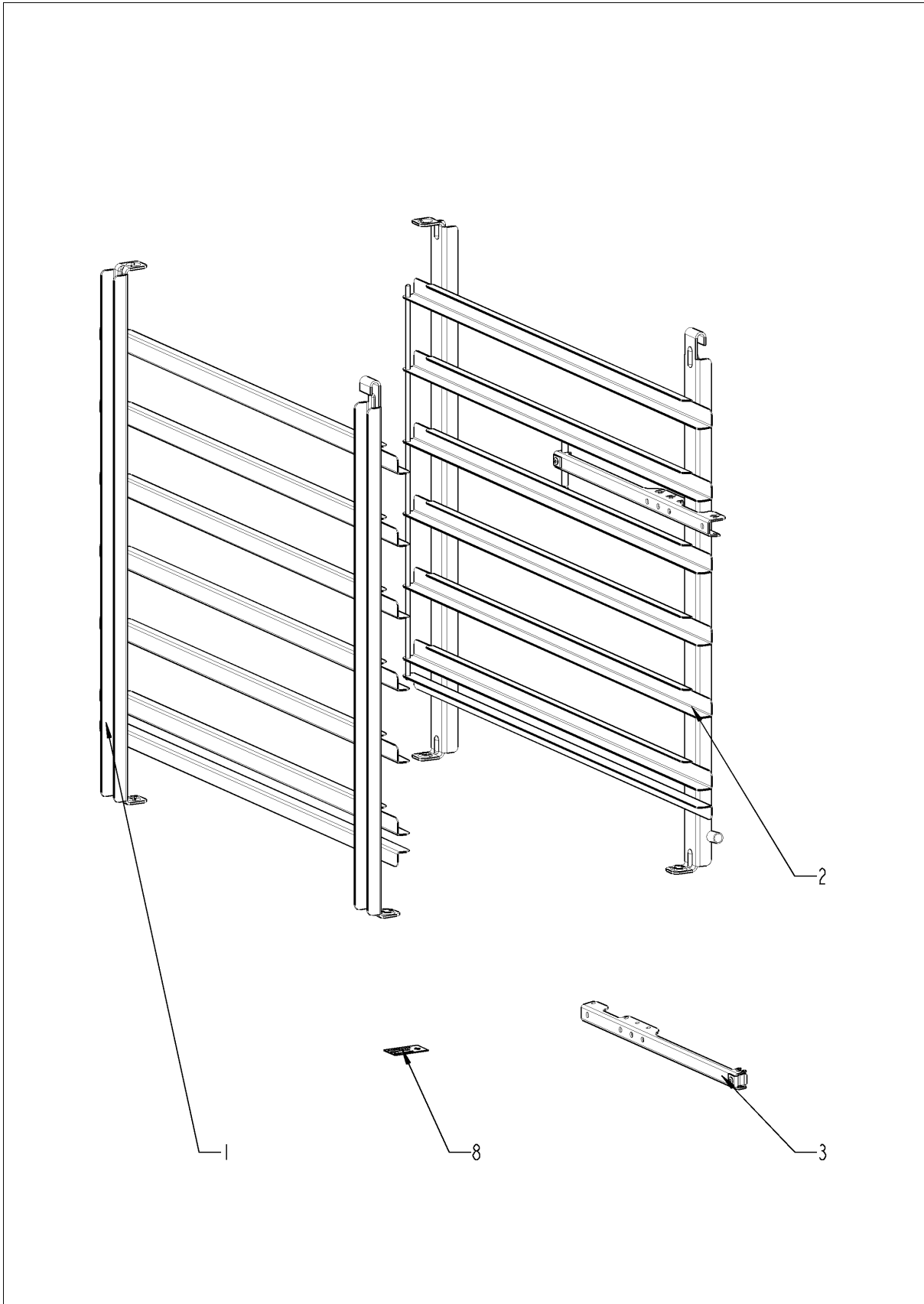
---



## **CleanJet + Care**

<b>Pos.</b>	<b>Part No.</b>	<b>Description</b>	<b>Qty.</b>
-------------	-----------------	--------------------	-------------

## Standard accessory



## Standard accessory

<b>Pos.</b>	<b>Part No.</b>	<b>Description</b>	<b>Qty.</b>
1	60.61.241	Hinging rack left	1
2	60.61.242	Hinging rack right	1
8	10.01.191	Sticker set	1

## Index

<b>Part-no.</b>	<b>Description</b>	<b>Page</b>
16.02.621	.....	31
22.00.920	Air baffle .....	21
40.02.684	Air inlet filter cpl. ....	31
22.00.914	Air inlet pipe .....	11
16.01.924	Back panel .....	31
16.01.146	Bracket for door contact switch .....	29
40.03.996	Bus cable 1.15m .....	7
50.00.303	Bushing drip collector .....	31
20.01.411	Bushing for motor mounting bar .....	19
40.04.048	Buzzer .....	7
10.00.111	Cable clip long .....	11, 19
40.03.799	Cable control harness .....	9
40.00.306	Cable entry .....	7
10.00.414	Cable strap black 120° .....	13
10.01.076	Cap nut M5*A2 .....	17, 21
10.00.745	Cap nut M6*A2 .....	29, 33
50.00.156	Clamp f. hand shower roll guide .....	33
10.00.087	Clamp strap f. sensor .....	21
50.00.296	Clip f. drip collector .....	31
44.01.031	Closing cap for steam generator .....	13
54.01.191	Collecting pan .....	33
2001.0109	Compression spring .....	25
50.01.213	Connect. hose f. hand shower roll guide .....	33
40.03.322	Contact assembly .....	9
40.03.667	Contact B&J K3-10A10 190 R .....	9
87.01.006	Control panel insert with overlay .....	5
42.00.161	Control pcb .....	5
40.03.348	Control transformer T1 .....	9
40.03.257	Converter 230VAC 24VDC .....	7
40.04.115	Cooling fan .....	7
1315.0104	Copper washer 16x20x1,5 .....	21
1005.1966	Countersunk screw Torx M5x16 .....	27

## Index

<b>Part-no.</b>	<b>Description</b>	<b>Page</b>
1006.1962	Countersunk screw Torx M6x16 .....	25
1003.2265	Countersunk self tapping screw 4,2x16 .....	31
16.00.329	Cover f. USB interface .....	31
16.00.180	Crossbar top .....	31
16.00.282	Dial .....	5
5110.1027	Distance plate for front panel .....	5
24.00.088	Door .....	25
24.00.137	Door bolt .....	25
24.00.048	Door bolt .....	25
24.00.142	Door catch .....	25
24.01.800	Door drip collector .....	27
20.01.800	Door gasket .....	21
24.00.152	Door handle .....	25
24.00.176	Door lock with spring U-bolt .....	25
24.00.223	Door mounting support bottom .....	25
24.00.133	Door mounting support top .....	25
24.00.146	Door setting bolt .....	27
40.04.342	Door switch 0.45m .....	29
24.01.188	Drain door drip collector .....	27
22.00.961	Drain hose for humidity control .....	11
44.01.219	Drain hose steam generator .....	13
50.01.613	Drain pipe with bushing .....	31
50.00.286	Drip collector .....	31
40.01.329	Dry up protector 183° .....	9
40.03.728	Earth terminal WKN 16SL/U .....	9
10.00.103	EJOT PT-screw KA 3.5x10 .....	31
10.00.460	EJOT PT-Screw Torx 3,5x14 .....	31
40.02.424	Electronic noise filter .....	9
44.00.207	Emptying pump .....	13
40.03.660	Fan housing .....	7
40.03.378	Fan motor with motor shaft gasket .....	19
22.00.828	Fan wheel .....	19

## Index

<b>Part-no.</b>	<b>Description</b>	<b>Page</b>
44.01.417	Filling level electrode 90 mm .....	13
44.01.168	Fixing angle steam generator .....	13
87.00.077	Fixing bracket kit for interior glass pane .....	27
40.03.780	Fixing clip core temp. cable .....	23
24.00.502	Fixing device f. magnet with magnet .....	27
44.01.201	Fixing device f. pump steam generator .....	13
22.00.721	Flange f. motor shaft gasket .....	19
16.01.855	Front panel .....	31
4001.0224	Fuse 6.35x32mm .....	9
40.02.512	Fuse holder 2x6.3A .....	9
16.01.748	Gasket f. breather tube d=63mm .....	31
40.03.414	Gasket f. heating assembly .....	17
44.00.280	Gasket f. heating element+Level elektrode insert .....	13
22.00.881	Gasket f. hum. meas. Pipe .....	11
54.01.168	Gasket f. inspection lid quenching .....	33
40.00.091	Gasket frame w. glass a. gaskets .....	21
5110.1029	Gasket mode switch .....	5
2022.0101	Grommet d8mm .....	33
3024.0201	Halogen bulb 300°C .....	21
22.00.734	Hand protection .....	23
50.00.130	Hand shower .....	33
50.00.140	Hand shower roll guide .....	33
40.03.931	Heat sink small 2 SSR .....	7
40.03.921	Heating assembly .....	17
44.01.332	Heating element .....	13
1105.0123	Hex combination nut M4 .....	29
1104.0122	Hex combination nut M4 galv .....	11, 13
1105.0121	Hex combination nut M5 galv .....	7, 33
10.00.100	Hex nut M4, self-locking .....	21
10.01.065	Hex nut M5 .....	9, 19
10.00.709	Hex nut M6 w. locking .....	13, 19
3014.0302	Hex nut M10 for dry-up protector .....	9



## Index

<b>Part-no.</b>	<b>Description</b>	<b>Page</b>
3014.0327	Hex nut M10x1,0 .....	9, 21
10.00.612	Hex nut M16 flat .....	21
10.00.109	Hex screw M5x23 .....	17
1006.0762	Hex screw M6x10 .....	13
1006.0760	Hex screw M6x16 .....	25
10.01.162	Hex screw M8x10 .....	25
10.00.936	Hex screw M8x20 .....	19
10.00.975	Hex screw M10x35 .....	29
1004.2160	Hex self tapping screw 4,2x16 .....	31
10.00.992	Hex self tapping screw B4,2x32 .....	31
60.61.241	Hinging rack left .....	37
60.61.242	Hinging rack right .....	37
24.00.141	Holding bracket f. door catch .....	25
2066.0205	Hose clamp 8-16x9 mm SW 7mm .....	33
2066.0518	Hose clamp 30mm .....	13
2066.0519	Hose clamp 35,6mm .....	13
2066.0504	Hose clamp 40-60mm .....	13
10.01.261	Hose clamp 66 mm .....	33
10.01.262	Hose clamp 76 mm .....	33
10.00.982	Hose clamp D=18.2 .....	13
2066.0527	Hose clamp ø14mm .....	11, 15
2066.0530	Hose clamp ø16.4mm .....	15
2066.0526	Hose clamp ø46mm .....	13
22.00.525	Hose set f. humidity control .....	11
22.00.725	Humidity control cpl. ....	11
24.00.163	Inner door pane .....	27
54.01.148	Inspection lid, quenching nozzle, B2 .....	33
40.04.046	Interface cable USB 1.0m .....	31
1005.2000	Interlocking tooth screw M5x8 .....	25
20.01.755	Isolation for mounting plate for motor .....	19
2062.0331	Junction pressure hose GS 10 .....	15
2760.1370	Latch hook for air baffle .....	23

## Index

<b>Part-no.</b>	<b>Description</b>	<b>Page</b>
2920.1300	Level elektrode insert .....	13
24.00.504	Lock cover .....	25
50.00.086	Locking plate f. water distribution .....	33
12.01.133	Lower part of pedestal .....	29
40.03.411	Mating flange f. heating assembly .....	17
40.04.037	Meat probe sensor .....	21
22.00.985	Motor shaft gasket D15 .....	19
22.00.882	Mounting device f. pressure sensor .....	11
40.03.372	Mounting device heat sink SSR .....	7
22.00.722	Mounting support f. gasket flange .....	19
40.03.404	Mounting support transformer .....	9
50.00.554	O-ring for hand shower 11x2mm .....	33
22.00.837	O-ring for humidity control .....	11
16.01.965	Opening mechanism for panel insert .....	29
1008.0768	Ornamental screw M8x16 .....	25
1008.0769	Ornamental screw M8x30 .....	25
22.00.850	Outer humidity meas. Piece .....	11
54.01.117	Outlet sieve .....	21
10.00.365	Pan head screw Torx M3x20 .....	9
10.01.266	Pan head screw Torx T20 10,5mm .....	7
10.00.061	Pan head screw Torx T20 M4x12 .....	7
50.00.085	Plug-in spring f. hand shower roll guide .....	33
40.00.464	Potentiometer CT .....	5
8801.0134	Power supply cable 5x2,5mm <sup>2</sup> 3m .....	7
2067.0050	Pressure hose d10mm .....	33
3017.1011	Pressure sensor for humidity control Huba 401 .....	11
2118.1000	Pump connection spout .....	15
8354.1320	Pump connection spout cpl. ....	13
40.00.098	Reflector f. interior light .....	21
10.00.515	Rivet 3,2x5 A4 .....	23
1603.0166	Rivet 3,2x7,9 CNS closed .....	31
1604.0167	Rivet 4x10 .....	23

## Index

<b>Part-no.</b>	<b>Description</b>	<b>Page</b>
10.00.041	Rivet nut M5 hexagon closed .....	27
54.01.141	Rubber form piece venting pipe .....	33
40.01.482	Safety temperature limiter 365°C .....	9, 21
40.04.373	Screen core temperature sensor .....	21
40.03.782	Screen interior cabinet sensor .....	21
16.01.908	Sealing f. panel insert .....	5
16.00.136	Side panel left .....	31
16.00.135	Side panel right .....	31
2110.1008	Silicon hose $\varnothing$ 10x2mm .....	15
24.00.171	Silicone buffer 7mm for door .....	27
50.01.147	Single solenoid valve Y1 .....	33
50.01.146	Single solenoid valve Y2 .....	33
24.00.147	Sleeve for door bolt top .....	27
1104.0820	Snap nut 4,2mm .....	29, 31
40.01.589	Solid state relais .....	7
24.01.100	Spring U-bolt for door lock .....	25
10.01.049	Square necked mushroom head bolt 6x30 .....	19
1107.0103	Star lock $\varnothing$ 3 .....	17
44.00.937	Steam generator insulated .....	13
2112.1006	Steam hose $\varnothing$ 50x50mm .....	13
10.01.191	Sticker set .....	37
2120.1259	Stop plug 10mm .....	15
22.00.491	Surge guard for Meat probe sensor .....	23
50.00.313	T-fitting water connection .....	33
40.04.118	Terminal block blue WKN10/U .....	9
40.03.952	Terminal block grey WKN 6/U .....	9
40.03.955	Terminal block grey WKN 10/U .....	9
40.00.290	Thermocouple humidity *B4* .....	21
40.03.488	Thermocouple interior cabinet B1 .....	21
40.04.105	Thermocouple steam generator *B5* .....	13
4005.0101	Tie rap 145 mm .....	15
40.03.732	Tie rap 160 mm .....	7

## Index

<b>Part-no.</b>	<b>Description</b>	<b>Page</b>
1204.0120	Tooth lock washer A4,3 .....	7
1206.0120	Tooth lock washer A6,4 .....	29
16.02.152	Top cover .....	31
12.00.516	Turning lock f. lower part of pedestal .....	29
12.00.205	Upper part of pedestal .....	29
22.00.767	Vent cover .....	11, 29
54.01.108	Ventilation pipe .....	33
8354.1304	Venting valve for steam generator .....	33
10.00.744	Washer A4,3 *A4 .....	23
1308.0162	Washer A8,4 .....	19
50.00.070	Water distribution hor roll guide con. ....	33
50.00.071	Water distribution hor. w/o roll guide con. ....	33
1900.0202	Water filter .....	33
40.04.362	Wiring interior light .....	21

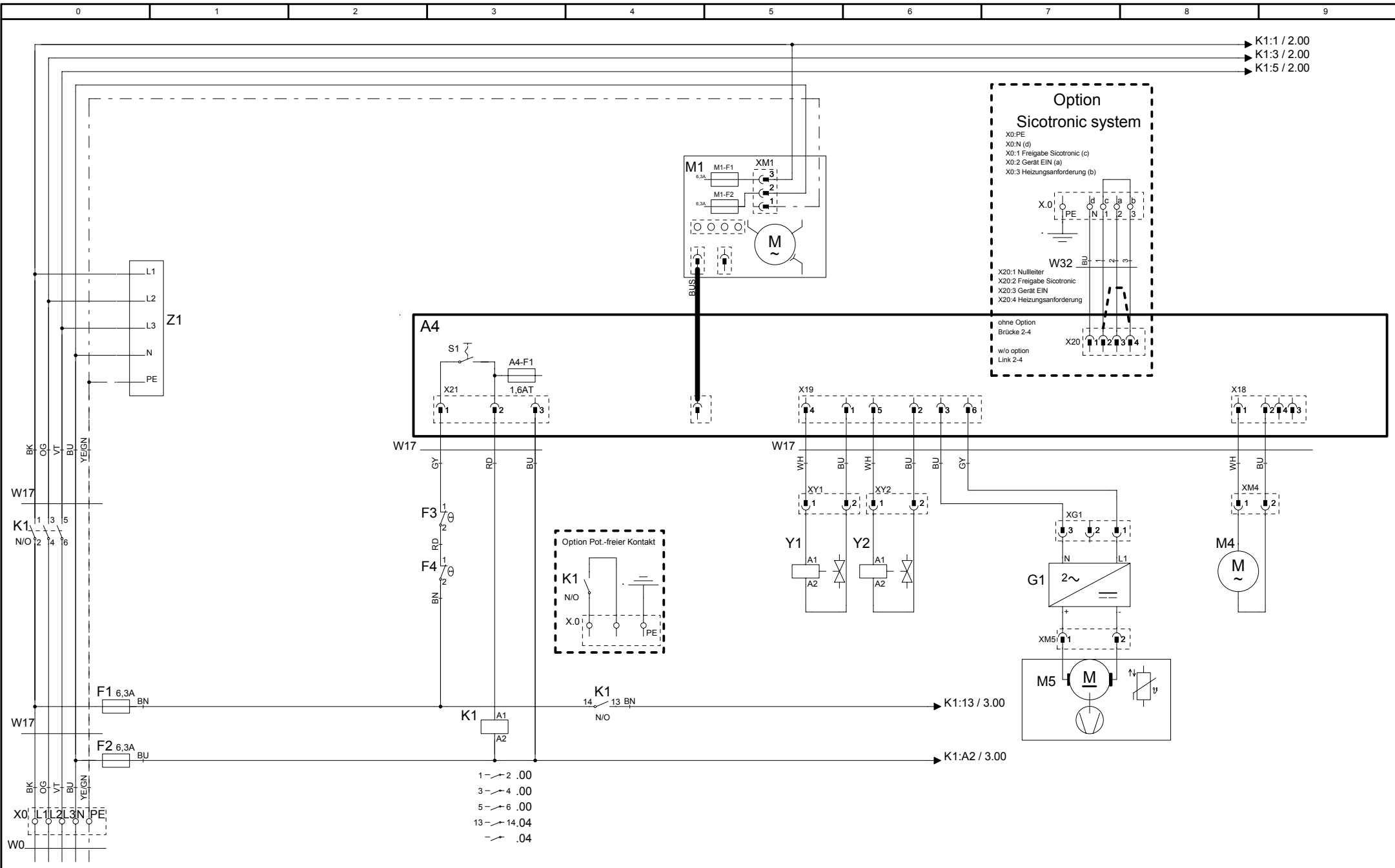




## Deckblatt Elektrische Dokumentation, Cover sheet electrical Documentation

Die Elektrische Dokumentation besteht aus: 1. diesem Deckblatt, 2. dem Schaltplan und 3. der Legende der elektrischen Bauteile  
The electric documentation contains: 1. this cover sheet, 2. the wiring diagram and 3. the bill of material (BOM)

<b>Typ</b> <b>Type</b>	CMP 61E		
<b>Spannung (SPL)</b> <b>Voltage</b>	3NAC400 V 50/60 Hz		
<b>Deckblatt-Nr.</b> <b>Front Page No.</b>	75-21151	<b>Version</b>	5
<b>Schaltplan</b> <b>Wiring diagram</b>	76-00473	<b>Version</b>	5
<b>Legende</b> <b>Legend electr. components</b>	78-00726	<b>Version</b>	4
<b>Geräteserialnr.</b> <b>Serial number</b>	E61MH1102	<b>Version</b>	1102
<b>Erstellt am</b> <b>Created at</b>	21.06.2011	<b>Ersteller</b> <b>Creator</b>	SCHD
<b>Gültig ab</b> <b>Valid from</b>	15.09.2014	<b>Änderung</b> <b>Modification</b>	20140080



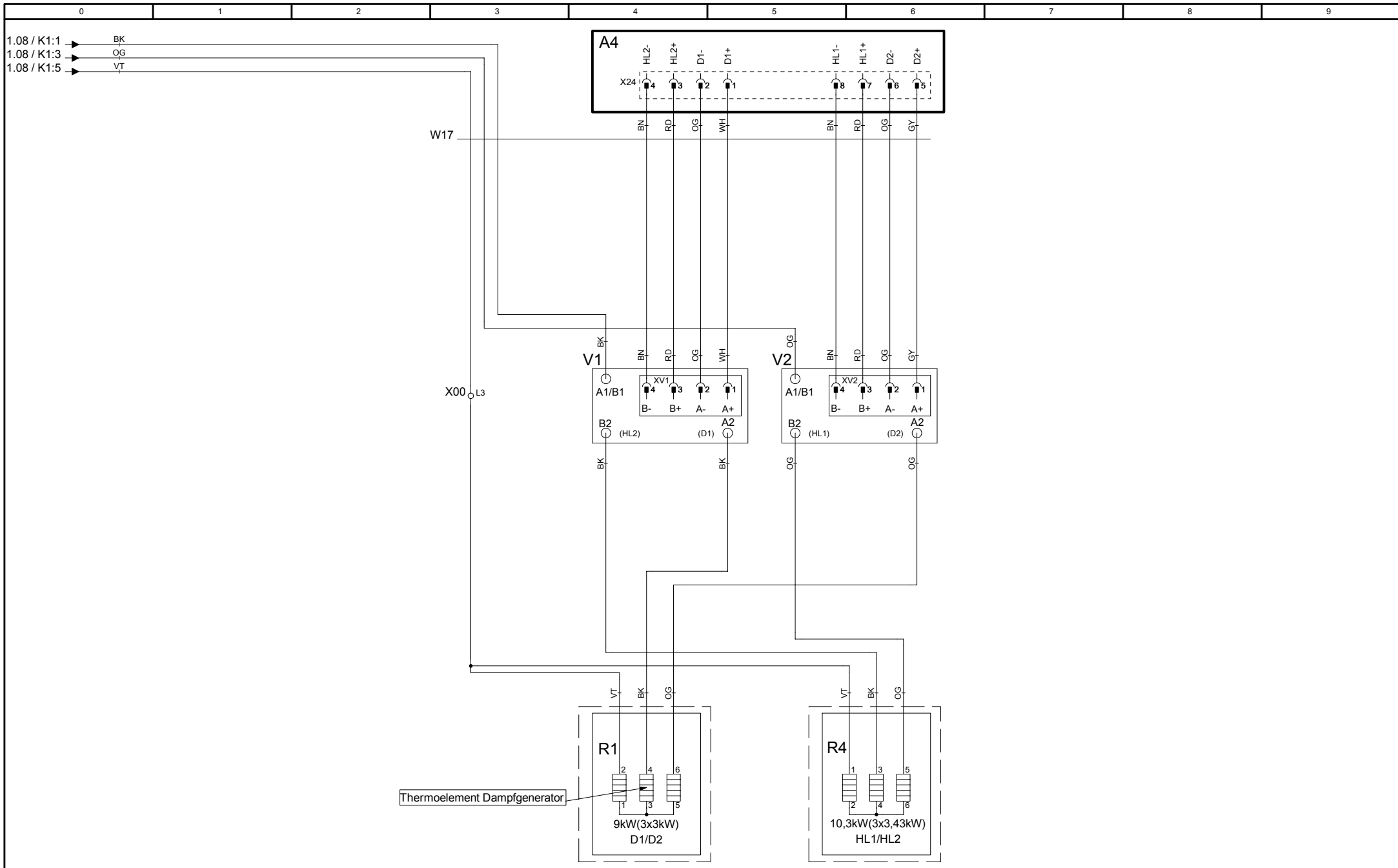
76-00473	
Version	5

MODUL 1 Leistung/Power	
---------------------------	--

CMP 61E	
3NAC400 V 50/60 Hz	

Erstellt von	SCHD
Datum	15.09.2014
Blatt	1



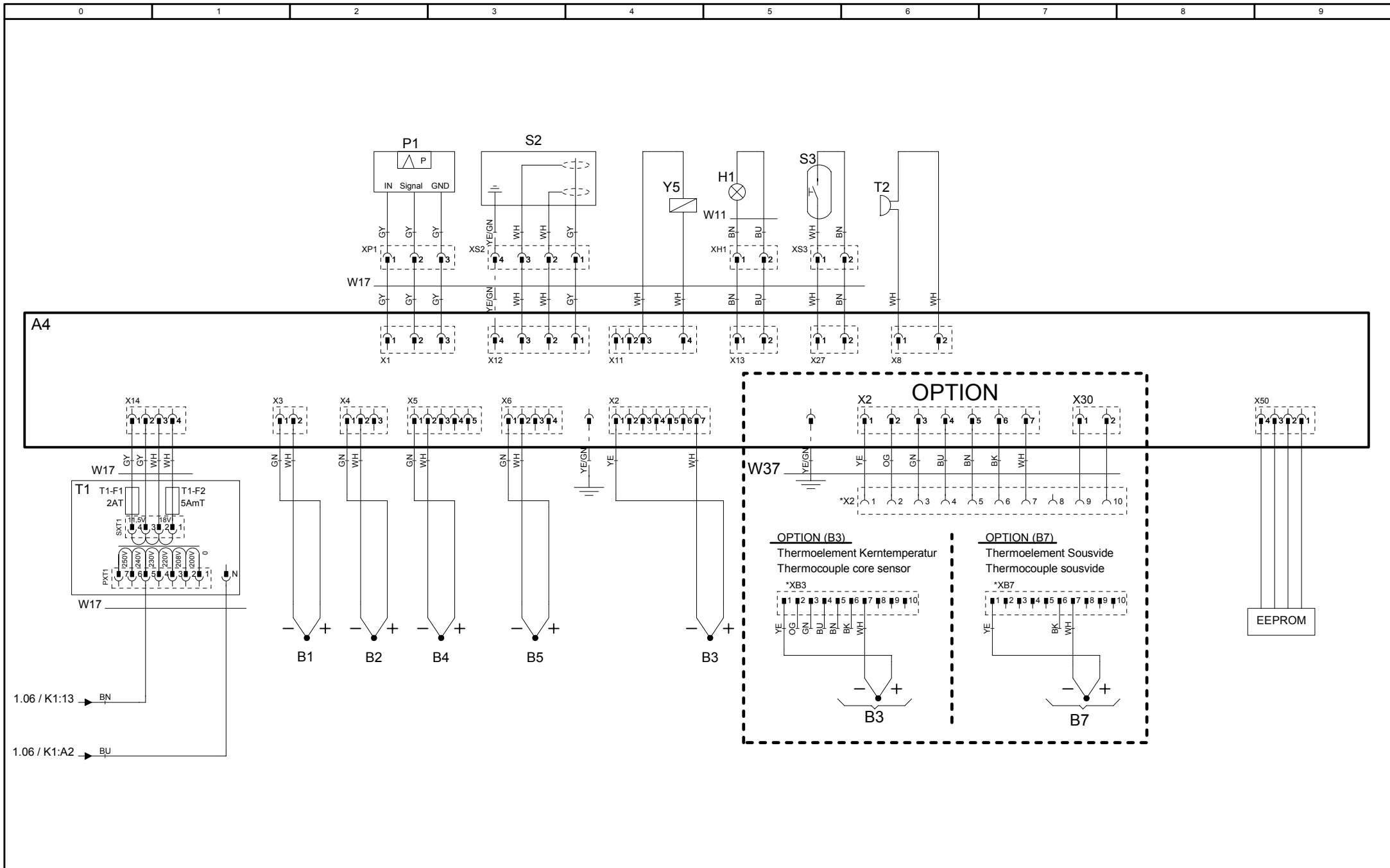


76-00473	5
Version	5

<b>MODUL 2</b> Heizung/Heating
-----------------------------------

<b>CMP 61E</b> 3NAC400 V 50/60 Hz
--------------------------------------

Erstellt von	SCHD
Datum	15.09.2014
Blatt	2



**Positionsliste**  
**Bill of material**

<b>Name Name</b>	<b>Artikelnr. Item number</b>	<b>Artikelbezeichnung</b>	<b>Item description</b>		
-A4	42.00.161	Bedienplatine CMP	Operator PCB CMP		
-A4-F1	3019.0125	Sicherung 1,6AT	Fuse 1,6AT		
-B1	40.03.488	Thermoelement Garraum	Thermocouple interior cabinet		
-B2	54.01.148	Thermoelement Ablöschung	Thermocouple quenching		
-B3	40.04.037	Thermoelement Kerntemperatur	Thermocouple core sensor		
-B4	40.00.290	Thermoelement Feuchte	Thermocouple humidity		
-B5	40.04.105	Thermoelement Dampfgenerator	Thermocouple steam generator		
-F1/F2	4001.0224	Steuersicherung	Control fuse		
-F3	40.01.329	Sicherheitstemperaturbegrenzer DG	Safety thermostat steam generator SG		
-F4	40.01.482	Sicherheitstemperaturbegrenzer 360°C/680°F	Safety thermostat interior cabinet 360°C/680°F		
-G1	40.03.257	Gleichrichter Kühllüfter	DC converter cooling fan		
-H1	3024.0201	Garraumbeleuchtung	Interior cabinet light		
-K1	40.03.667	Hauptschütz	Main contactor		
-M1	40.03.378	Lüftermotor	Fan motor		
-M4	44.00.207	SC-Pumpe	SC-pump		
-M5	40.04.115	Kühllüfter	Cooling fan		
-P1	3017.1011	Differenzdrucksensor	Differential pressure sensor		
-R1	44.01.332	Dampfheizkörper	Heating element steam		
-R4	40.03.921	Heißluftheizkörper	Heating element hot air		
-S2	44.01.417	Niveauelektrode	Water level electrode		
-S3	40.04.342	Türkontaktschalter	Door contact switch		
-S7	40.00.464	Potentiometer Zeit / Kerntemperatur	Time / Core potentiometer		
-T1	40.03.348	Steuertrafo	Control transformer		
-T1-F1	3019.0120	Sicherung Steuertrafo T1 2AT	Fuse control transformer T1 2AT		
-T1-F2	3019.0114	Sicherung Steuertrafo T1 5AmT	Fuse control transformer T1 5AmT		
-T2	40.04.048	SCC WE: Lautsprecher / CMP: Alarmsummer	SCC WE: Speaker / CMP: Buzzer		
-V1-V12	40.01.589	Leistungshalbleiter	Solid state relais		
-W0	8801.0134	Anschlusskabel	Cable: power supply		
-W11	40.04.362	Kabel: Garraumbeleuchtung	Cable: interior cabinet light		
-W17	40.03.799	Kabel: Steuerstamm	Cable: control harness		
-Y1	50.01.147	Magnetventil Füllen	Solenoid valve filling		
Änderungsdatum	<b>25.04.2014</b>	Name	<b>CMP 61E</b>	Dokument-Nr.	<b>78-00726</b>
Erzeuger	<b>SCHD</b>	Spannung	<b>3NAC400 V 50/60 Hz</b>	Version	<b>4</b>

**Positionsliste**  
**Bill of material**

<b>Name Name</b>	<b>Artikelnr. Item number</b>	<b>Artikelbezeichnung</b>	<b>Item description</b>
-Y2	50.01.146	Magnetventil Ablöschung	Solenoid valve quenching
-Y5	22.00.725	Klimaventil	Clima valve
-Z1	40.02.424	Entstörfilter/Varistor	Electronic noise filter

Änderungsdatum	<b>25.04.2014</b>	Name	<b>CMP 61E</b>	Dokument-Nr.	<b>78-00726</b>
Erzeuger	<b>SCHD</b>	Spannung	<b>3NAC400 V 50/60 Hz</b>	Version	<b>4</b>