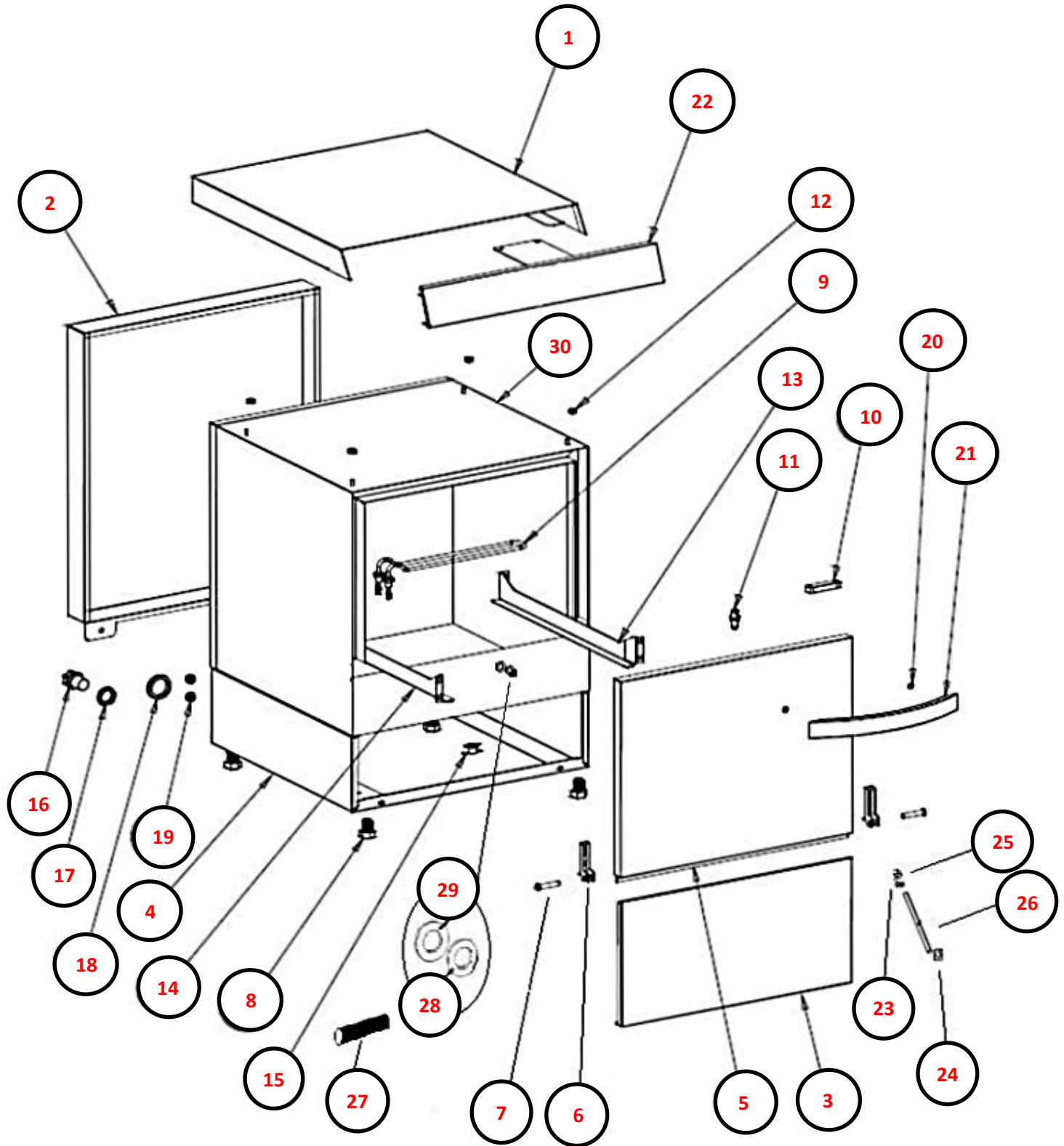


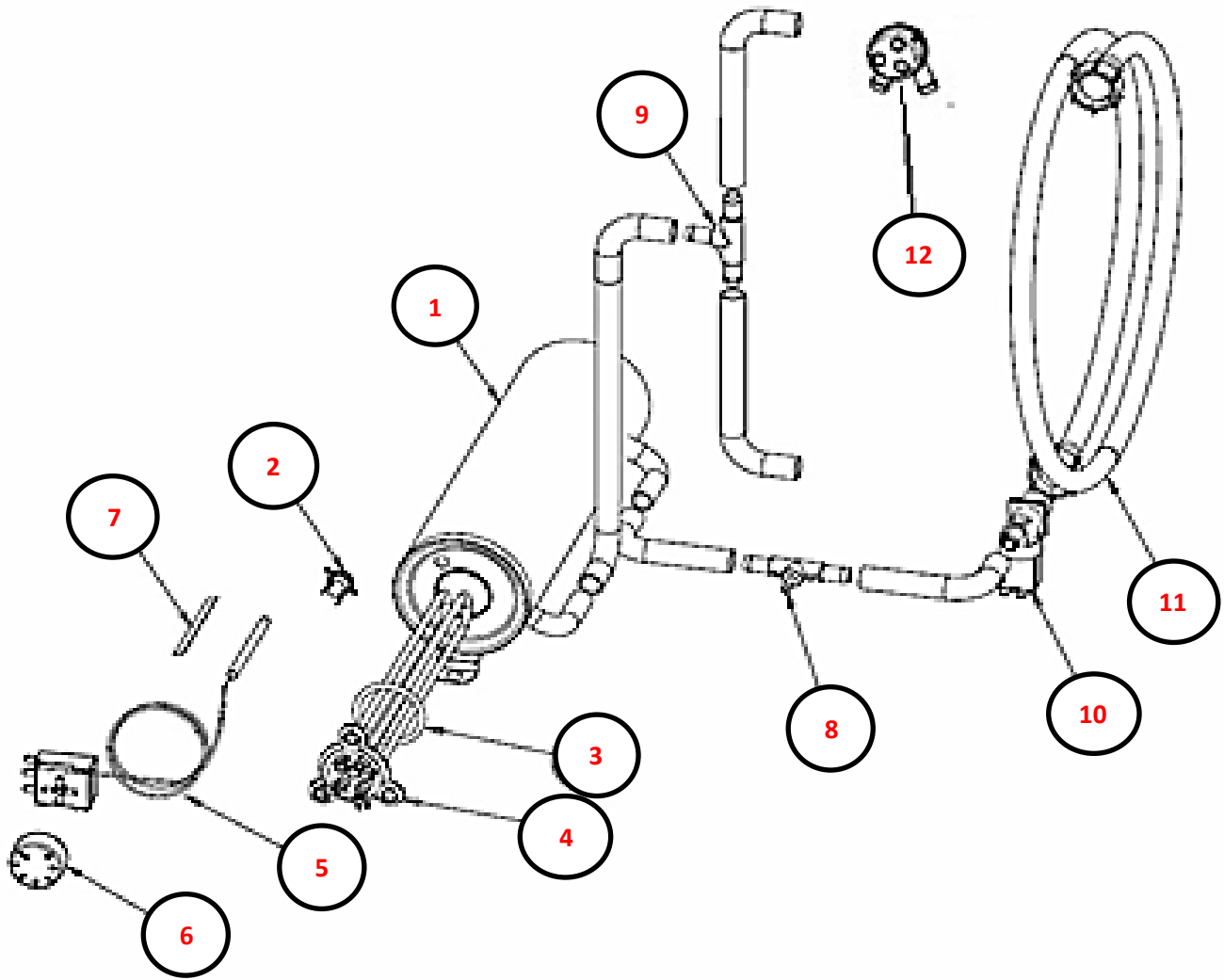
POS	CODE	DESCRIPTION	DESCRIPTION	QTA
1	P1 (2)	PANNELLERIA	FRAME	1
2	P2	RISCIACQUO	RINSE	1
3	P3 (3)	LAVAGGIO	WASH	1
4	P4 (2)	GIRANTI	ARMS	1
5	P5	CABLAGGIO	WIRING	1
6	P6	DOSATORE	CHEMICAL PUMP	1
7	O1	DOSATORI	DISPENSER	1
8	O3	ADDOLCITORE	SOFTENER	1
9	O4	POMPA SCARICO	DRAIN PUMP	1



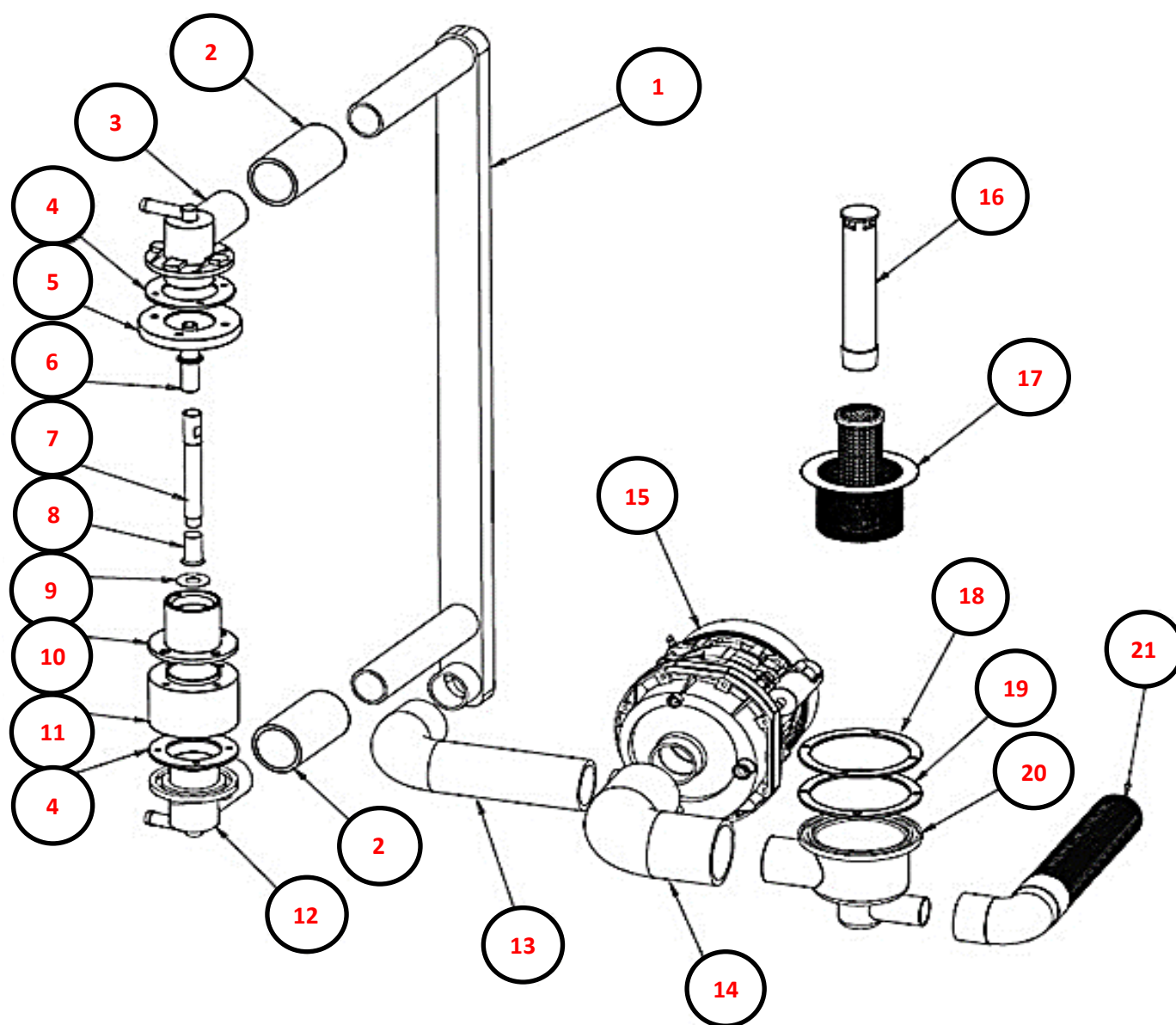
POS	CODE	DESCRIZIONE	DESCRIPTION	NR
1	900554	PANNELLO SUPERIORE E50 ECO	UPPER PANEL E50 ECO	1
2	901802	PANN. POST. E50	BACK PANEL E50	1
3	904508	PANN. INF. E50	LOWER PANEL E50	1
4	900254	BASAMENTO E50	BASEMENT E50	1
5	900013	PORTA N700-E50 STANDARD CON M.A.	STANDARD DOOR N700-E50 WITH STAINLESS-STEEL HANDLE	1
6	901245	CERNIERA PORTA SERIE S-N-E	DOOR HINGE MODEL S-N-E	2
7	904795	PERNO PORTA	DOOR PIVOT	2
8	905000	PIEDINO LAVAGGIO PVC NEW	FEET, WASH PVC NEW	4
9	905745	RESIST. VASCA 2.5KW 230V	TANK HEATING ELEMENT 2.5KW 230V	1
10	903651	MAGNETE + CUSTODIA FRONTALI	MAGNET + CONTAINER DISHWASHER	1
11	906121	SCROCCHETTO CON ROTELLA + DADO	LATCH WITH WHEEL + NUT	1
12	902132	GHIERA FISSAGGIO PANNELLO SUPERIORE	FASTENING FERRULE, UPPER PANEL	4
13	909954	GUIDA CESTELLO DX E50/700	BASKET GUIDE RH E50/700	1
14	909955	GUIDA CESTELLO SX E50/700	BASKET GUIDE LH E50/700	1
15	907244	TERMOSTATO VASCA 55° PASTIGLIA	TANK THERMOSTAT 55° PADDLE	1
16	902683	PRESSACAVO PG16	CABLE GLAD PG16	1
17	902677	GHIERA PRESSACAVO PG16	FERRULE CAGLE GLAND PG16	1
18	904721	PASSACAVO TUBO SCARICO LAVAGGIO	CABLE BUSHING DRAIN HOSE	1
19	904723	PASSACAVO TUBO BRILL./DET.	CABLE BUSHING RINSE PRODUCT/DETERGENT HOSE	2
20	906011	RONDELLA Ø5 P. PPL	WASHER Ø5 P. PPL	2
21	906217	MANIGLIA ALLUMINIO SATINATA PORTA 2016	GLAZED ALUMINUM HANDLE DOOR 2016	1
22	907902	RETROT. E50A ECO 2016 COMPLETO	BACK PLATE E50A ECO 2016 COMPLETE	1
23	905424	FERMO TIRANTE PORTA M6	TIE-ROD DOOR STOP M6	2
24	904952	PIASTRINA SCORR. TIRANTE PORTA	SLIDING PLATE FOR SPRINGS TIGHTENING	2
25	902040	DADO ATB 6	NUT ATB 6	3
26	902740	TIRANTE PORTA M6X265	DOOR TIE-ROD M6X265	2
27	904958	PROT. RESISTENZA VASCA IN SILICONE	TANK-HEATING ELEMENT PROTECTION SILICONE	2
28	906010	RONDELLA Ø5 P.	WASHER Ø5 P.	1
29	903253	GUARN. RACC. DOS/SFIATO PS	GASKET DOSING UNIT/AIR VENT JUNCTION	2
30	902791	VASCA E50 POZZETTO 8 FORI	TANK E50 COCKPIT 8 HOLES	1



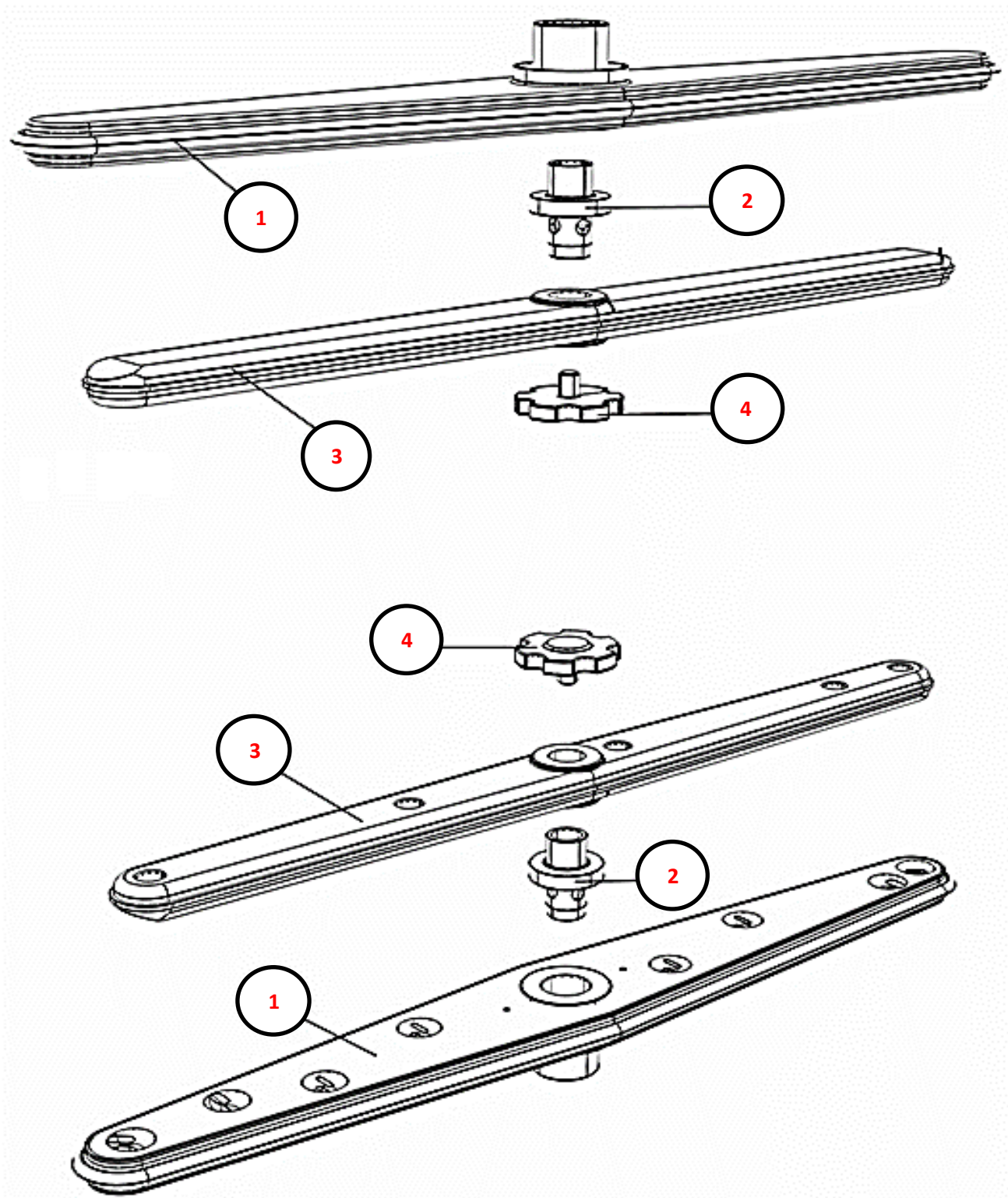
POS	CODE	DESCRIZIONE	DESCRIPTION	NR
1	900385	BOILER 600-700-N45-N50-N90-E45-E50 5LT.+RES. 3.5KW	BOILER 600-700-N45-N50-N90-E45-E50 5LT.+RES. 3.5KW	1
2	907297	TERMOSTATO SICUR. 110° PASTIGLIA	SAFETY THERMOSTAT 110° PADDLE	1
3	907981	OR RES. 2.6/4.5/6/8 KW	OR HEATING ELEMENT 2.6/4.5/6/8 KW	1
4	905569	RESIST. BOILER 3.5KW 230V +OR	BOILER HEATING ELEMENT 3.5KW 230V +OR	1
5	TR0440	TERMOSTATO BOILER 0/90 LAVASTOVIGLIE	THERMOSTAT BOILER 0/90 DISHWASHER	1
6	903982	MANOPOLA TERMOSTATO 0/90°	THERMOSTAT KNOB 0/90°	1
7	904075	LAMELLA OTTONE	BRASS PLATE	1
8	905434	RACC. 3 VIE DOSATORE SU POMPA	THREE-WAY CONNECTION DOSING PUMP	1
9	905382	RACC. 3 VIE RISCIAQUO	THREE-WAY CONNECTION RINSE	1
10	902390	ELETTROV. 1 VIA Ø10	1-WAY SOLENOID VALVE Ø10	1
11	907348	TUBO CARICO 90° 1500MM S 800 HW	WATER LOAD HOSE 90° 1500MM S 800 HW	1
12	908762	VALVOLA ANTIRIFLUSSO 3/4 ESTERNA	EXTERNAL NON-RETURN VALVE 3/4	1



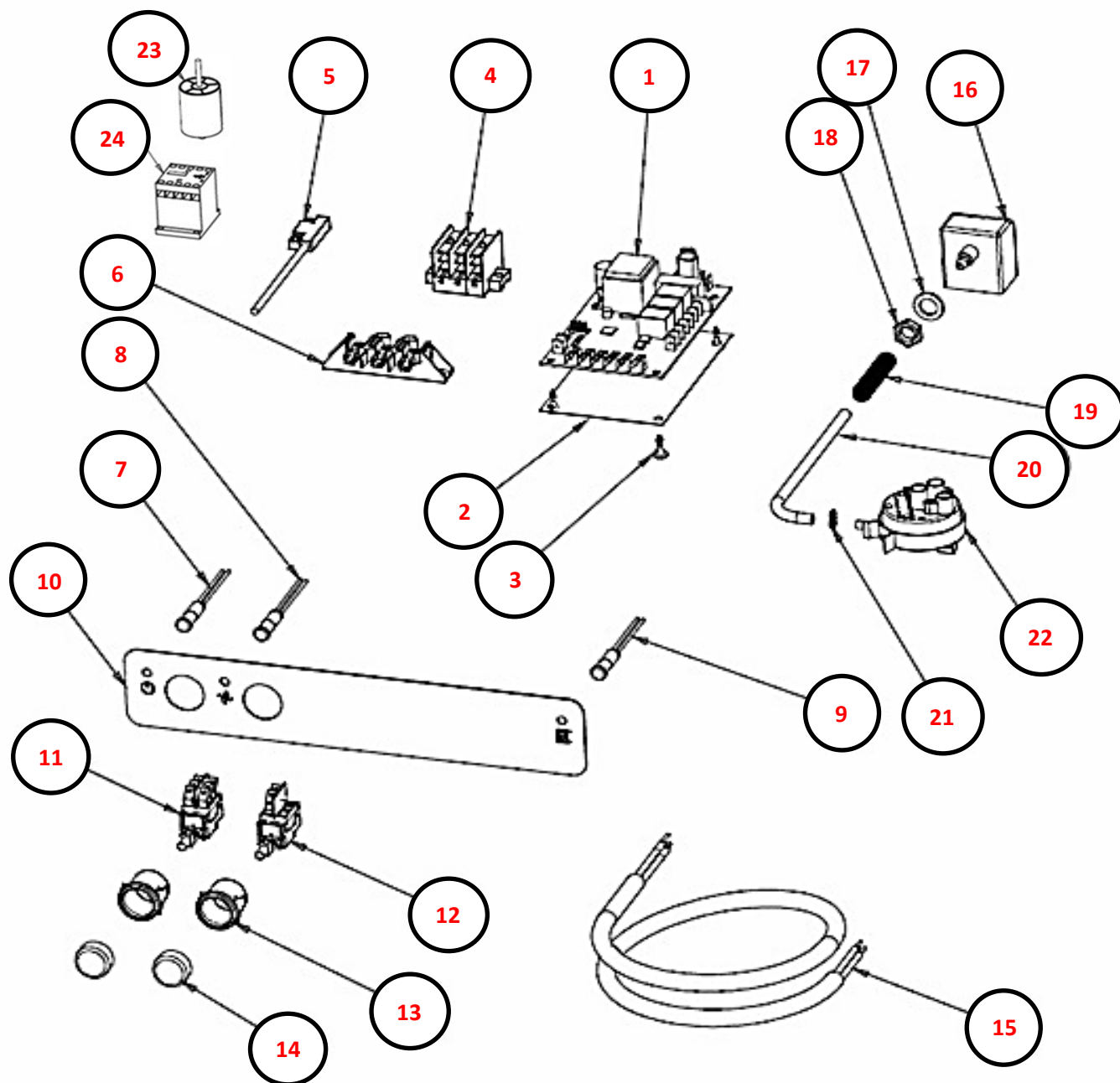
POS	CODE	DESCRIZIONE	DESCRIPTION	NR
1	908701	COLONNA LAVAGGIO N700/E50	WASH COLUMN N700/E50	1
2	903756	TRONCHETTO MAND. N45/N50/N90/N700FH	INLET SOCKET N45/N50/N90/N700FH	1
3	905456	MOZZO LAV. DX	WASH HUB RH	1
4	908141	GUARN. RACC. LAV. N45/N50/N700/N1000	GASKET WASH JUNCTION N45/N50/N700/N1000	2
5	908154	FLANGIA NORYL MOZZO SUP. LAVAPIATTI	FLANGE UPPER HUB - DISHWASHER	1
6	904799	PERNO LAV. SUP. N600/N700/N45/N50	PIVOT UPPER WASH N600/N700/N45/N50	1
7	908705	PERNO LAV. INF. N600/N700/E45/E50	LOWER-WASH-ARM PIVOT N600/N700/E45/E50	1
8	908456	BOCCOLA RIDUZ. PERNO LAV. N45/N700/N1000	REDUCING BUSHING OF WASH PIVOT	1
9	906002	RONDELLA Ø33X15X0.8 ROMPIGETTO	WASHER Ø33X15X0.8 FAUCET AERATOR	1
10	905388	RACC. INF. LAV. E45/E50/N45/N50/N700/N1000	LOWER RINSE CONNECTION E45/E50/N45/N50/N700/N1000	1
11	908702	DISTANZIALE RACC. LAV. N700/N750	WASH CONNECTION SPACER N700/N750	1
12	905449	MOZZO LAV. SX	WASH HUB LH	1
13	909371	MANICOTTO MANDATA N750/E50/E45	INLET SLEEVE N750/E50/E45	1
14	903694	MANICOTTO ASPIRAZ. POMPA LAV. N750/E50	ASPIRATION SLEEVE WASH PUMP N750/E50	1
15	902263	POMPA 0.40KW 230/1/50 N700-N750-E45-E50	PUMP 0.40KW 230/1/50 N700-N750-E45-E50	1
16	900129	TROPPO PIENO N650-N750-E45-E50 PS 2015	OVERFLOW CAP N650-N750-E45-E50 PS 2015	1
17	902399	FILTRO CON CILINDRO PPL H140MM Ø98MM	FILTER WITH PLASTIC BARREL H140MM Ø98MM	1
18	905238	FLANGIA POZZETTO MAGGIORATO ASP./SCAR.	FLANGE ASPIRATION/DRAIN SOAKAWAY	1
19	905378	GUARN. POZZETTO MAGGIORATO	INCREASED PIT GASKET	1
20	905236	POZZ. ASPIRAZ. MAGGIORATO ASP. Ø45	INCREASED SUMP Ø45	1
21	907440	TUBO SCARICO Ø24 1500MM	DRAIN HOSE Ø24 1500MM	1

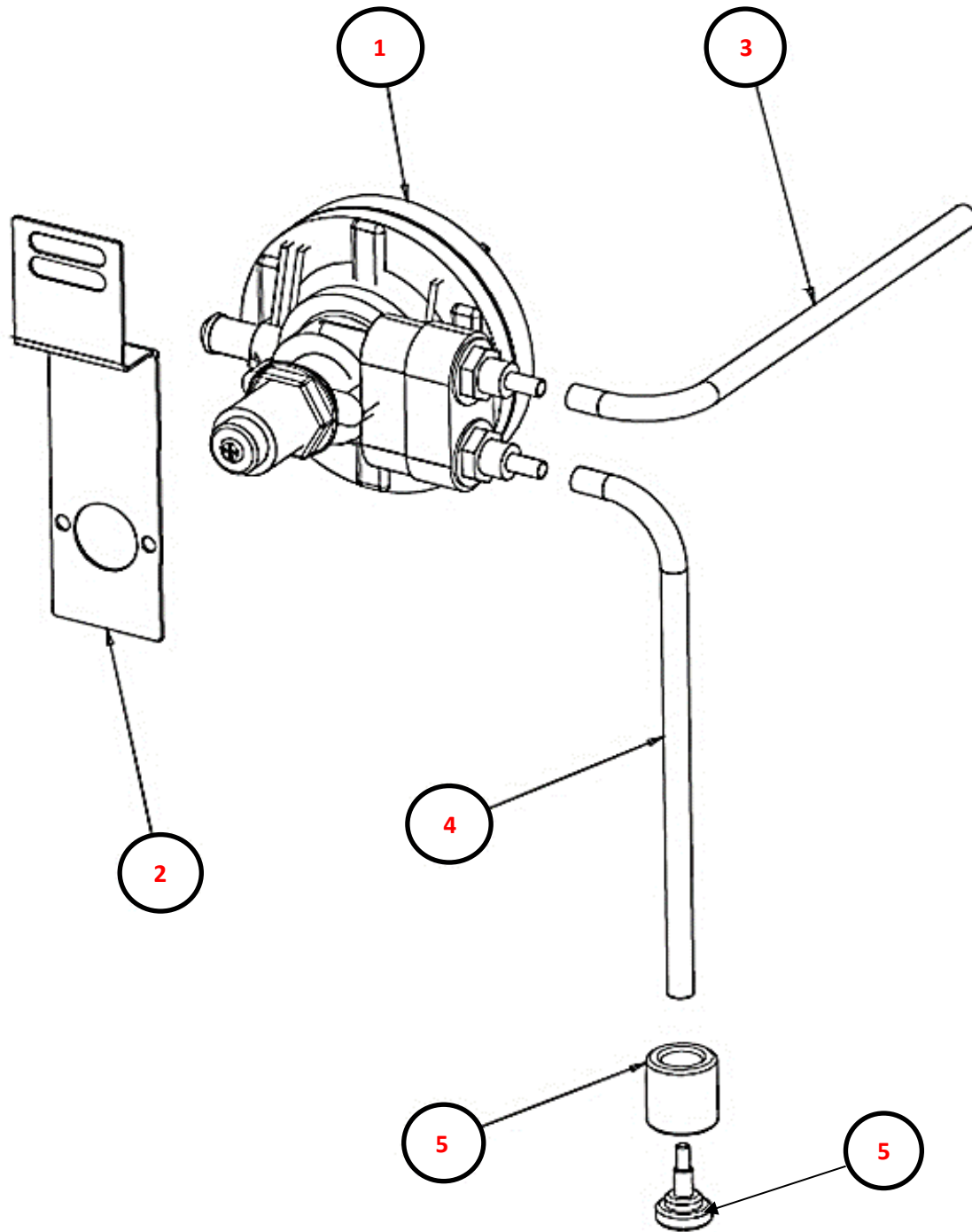


POS	CODE	DESCRIZIONE	DESCRIPTION	NR
1	903107	GIRANTE LAVAGGIO SP.4 CON MOZZO	WASH ARM 4 WITH HUB	2
2	908771	PERNO GIRANTE RISC. PIATTA PPL E INOX	PIVOT FLAT RINSE ARM (POLYPROPYLENE AND STAINLESS STEEL)	2
3	907958	GIRANTE RISCIAQUO 4 PPL	PP RINSE ARM 4	2
4	902880	GHIERA FERMO GIRANTI	STOP FERRULE, ARMS	2

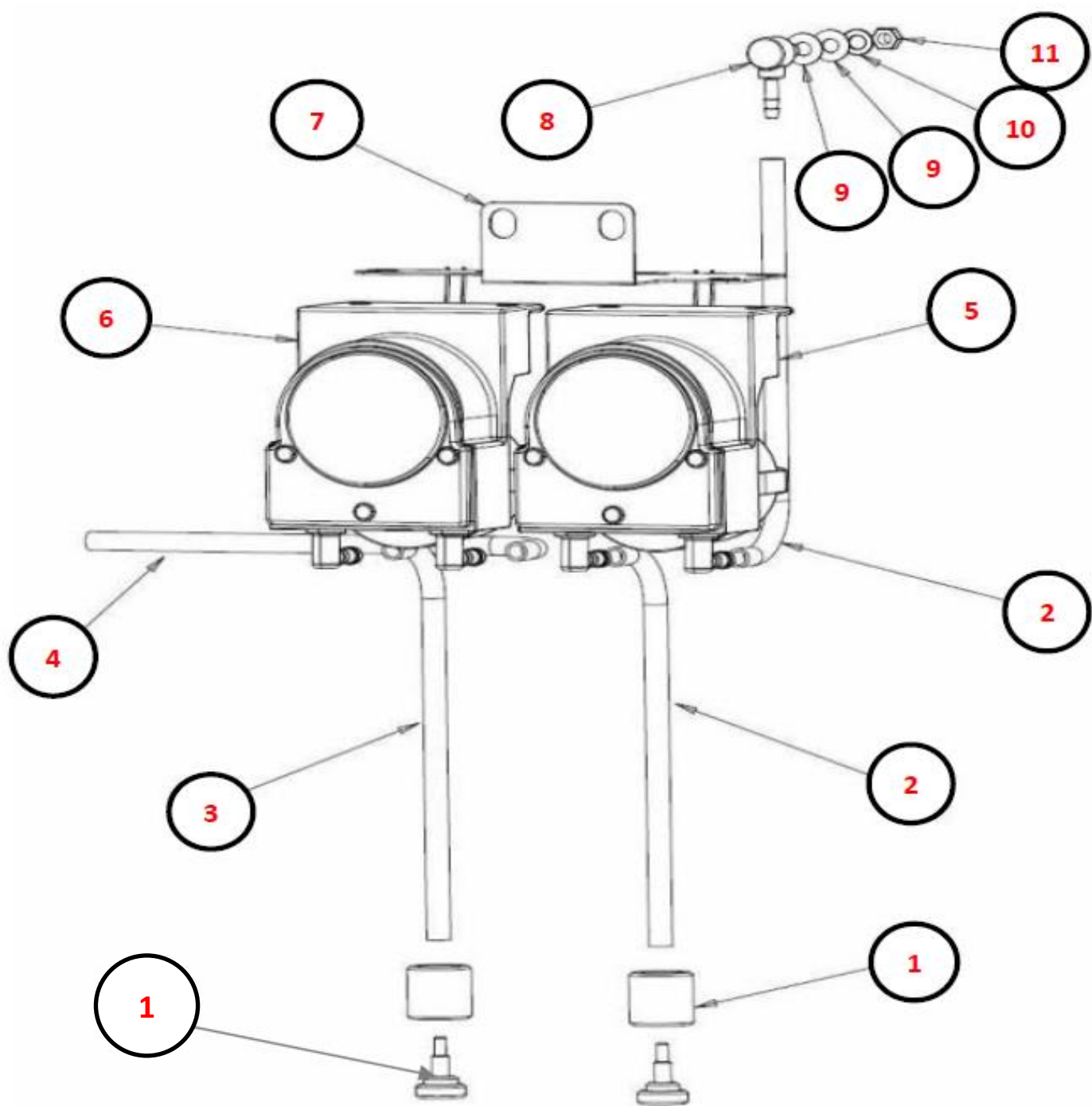


POS	CODE	DESCRIZIONE	DESCRIPTION	NR
1	907169	SCHEDA TRONIC CLONE ELCA	TRONIC BOARD CLONE ELCA	1
2	903623	ISOLATORE SCHEDE 907169	BOARD INSULATOR 907169	1
3	902193	DISTANZIALE TIMER ELETTRONICO	ELECTRONIC TIMER SPACER	4
4	904167	MORSETTO QUADRIPOLE CON SPALLA	4-POLE CLAMP WITH BRACKET	1
5	909290	REED MAGNETICO LAVASTOVIGLIE	MAGNETIC REED WAREWASHER	1
6	904150	MORSETTIERA 6 POLI N600-N700-E45-E50	TERMINAL BOX 6 POLES N600-N700-E45-E50	1
7	903688	LAMP. SPIA Ø 6 VERDE+CAVI	GREEN WARNING LIGHT Ø 6 + CABLES	1
8	903686	LAMP. SPIA Ø 6 ARANCIO+CAVI CICLO_DEP.	ORANGE WARNING LIGHT Ø 6 +CABLES	1
9	903689	LAMP. SPIA Ø 6 ARANCIO+CAVI BOILER	ORANGE WARNING LIGHT Ø 6 +BOILER CABLES	1
10	902676	TARGA SERIE ECO PROFESSIONAL SILANOS VERDE	PLATE SERIES ECO PROFESSIONAL SILANOS GREEN	1
11	905314	INTERRUTTORE/DEVIATORE 6 FASTON INCLIN.	SWITCH/DIVERTER 6 INCLINED FASTONS	1
12	905312	PULS. 2 FASTON INCLINATO	2-INCLINED-FASTON BUTTON	1
13	905341	SUPP. PULS. TONDO Ø25 ARG.	ROUND-BUTTON SUPPORT Ø25 SILVER	2
14	905437	TASTO TONDO Ø25 ARGENTO OPACO	ROUND BUTTON Ø25 MATT GRAY	2
15	908192	CAVO ALIMENTAZ. 3X4X3500 H07	POWER-SOURCE CABLE 3X4X3500 H07	1
16	905262	TRAPPOLA ARIA 90MM GRIGIO CHIARO	AIR TRAP 90MM LIGHT GREY	1
17	903260	GUARN. 3/8" TR. ARIA	GASKET 3/8", AIR TRAP	1
18	902111	GHIERA 3/8" PPL	PLASTIC FERRULE 3/8"	1
19	904131	MOLLA PROTEZIONE TUBETTO	SPRING PROTECTING TUBE	1
20	907279	TUBO SILICONE 4X7	SILICONE HOSE 4X7	1
21	902425	FASCETTA BIFILARE A MOLLA 7.8X8.3	TWO-WIRE SPRING CLAMP 7.8X8.3	1
22	905264	PRESSOSTATO 35/17	PRESSURE SWITCH 35/17	1
23	902108	FILTRO ANTIDISTURBO MONOFASE	MONO-PHASED ANTINOISE FILTER	1
24	907190	TELERUTTORE 9A 230V CON ATTUATORE LOVATO	CONTACTOR 9A WITH ACTUATOR LOVATO	1

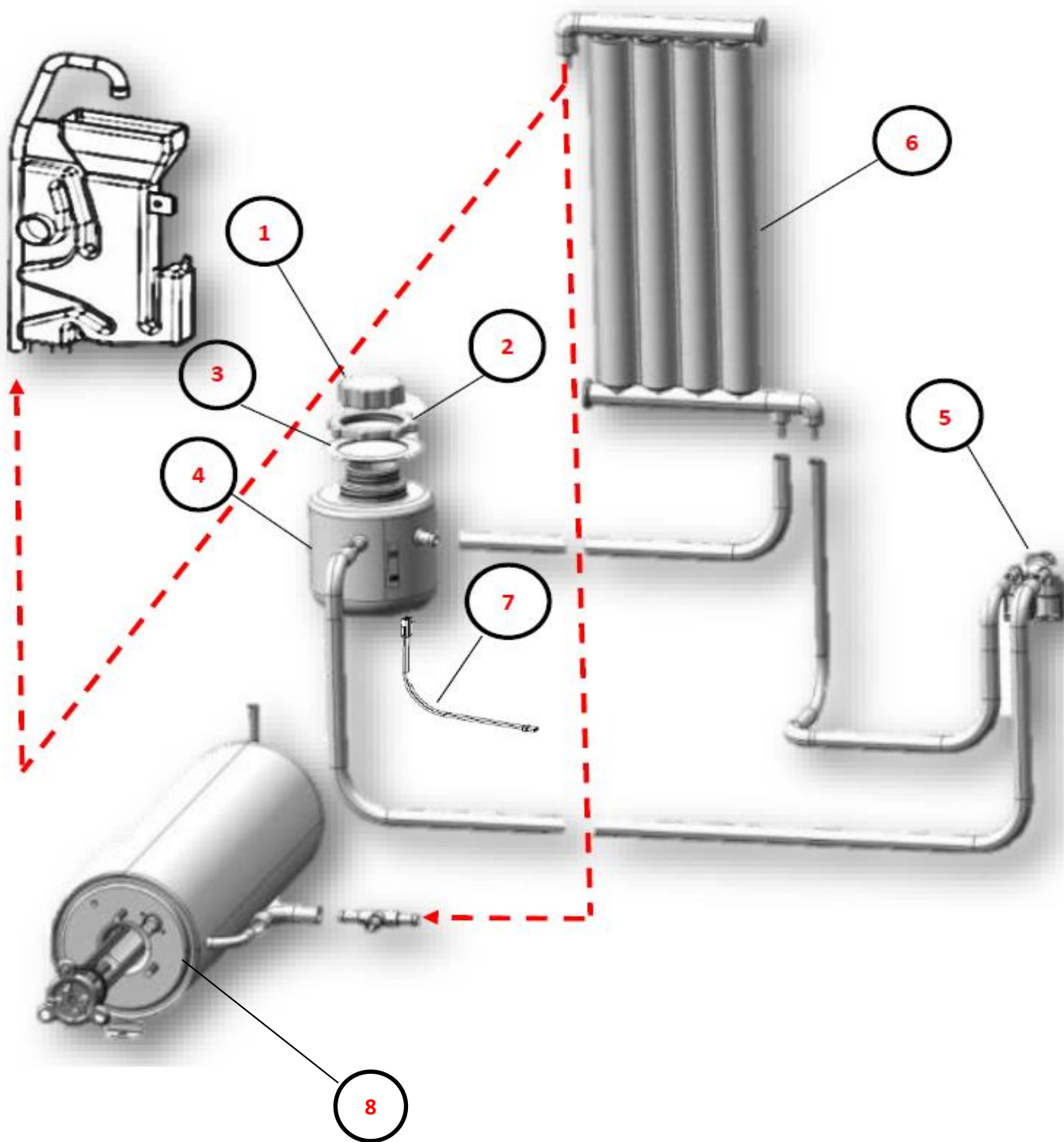




POS	CODE	DESCRIZIONE	DESCRIPTION	NR
1	907456	PESO INOX 190mm TUBETTO BRILLANTANTE/DETERSIVO	STAINLESS STEEL WEIGHT TUBE RINSE AID DETERGENT 190mm	2
2	907278	TUBO CRYSTAL ROSSO 4X6	TRASPARENT-RED HOSE 4X6	2
3	902046	TUBO CRYSTAL TRASP. 4X6	TRASPARENT HOSE 4X6	1
4	907279	TUBO SILICONE 4X7	SILICONE HOSE 4X7	1
5	902052	DOSATORE DETERS. PERIST. SEKO	PERISTALTIC DETERGENT PUMP	1
6	902062	DOSATORE BRILL. PERIST. SEKO TEMPORIZZATO	PERISTALTIC RINSE-PRODUCT PUMP WITH REGULATOR	1
7	952820	SUPP. DOS. PERISTALTICO DOPPIO	DOUBLE PERISTALTIC DOSING PUMP SUPPORT	1
8	906708	RACC. INOX ENTR. DETERSIVO VASCA ANT.	STAINLESS-STEEL FRONT INLET CONNECTION FOR DETERGENT IN TANK	1
9	903253	GUARN. RACC. DOS/SFIATO PS	GASKET DOSING UNIT/AIR VENT JUNCTION	1
10	906010	RONDELLA Ø5 P.	WASHER Ø5 P.	1
11	902030	DADO ATB 5	NUT ATB 5	1



POS	CODE	DESCRIZIONE	DESCRIPTION	NR
1	906418	TAPPO CONTENITORE SALE	SALT-CONTAINER CAP	1
2	902830	GHIERA CONTENITORE SALE	FERRULE, SALT CONTAINER	1
3	903340	GUARN. CONTENITORE SALE	SALT CONTAINER GASKET	1
4	901794	CONTENITORE SALE CON SENSORE COMPLETO	COMPLETE SALT CONTAINER WITH SENSOR	1
5	902401	ELETTROV. 2 VIE Ø10 CON RIDUTTORE ROSSO	2-WAYS SOLENOID VALVE Ø10 WITH RED REDUCER	1
6	902150	DECALCIFICATORE	SOFTENER	1
7	907263	CAVO CONNETTORE SALE 2000MM	CONNECTION CABLE FOR SALT 2000MM	1
8	900386	BOILER 600-700-N45-N50-N90-E45-E50 5LT.+ RES.4.5KW	BOILER 600-700-N45-N50-N90-E45-E50 5LT.+ RES.4.5KW	1



POS	CODE	DESCRIZIONE	DESCRIPTION	NR
1	907439	TUBO SCARICO Ø19 90° 2000MM PS + CURVA	DRAIN HOSE Ø19 90° 2000MM PS + BLEND	1
2	902454	FASCETTA 16/27-9	CLAMP 16/27-9	1
3	902332	POMPA SCARICO MAGNETICA 220/240V 50HZ 40W	MAGNETIC DRAIN PUMP 220/240V 50HZ 40W	1
4	902460	FASCETTA 25/40-9	HOSE CLAMP25/40-9	1
5	903692	MANICOTTO POMPA SCARICO N50	DRAIN PUMP SLEEVE N50	1
6	903757	MANICOTTO MANDATA MODELLO B/PS	INLET SLEEVE MODEL B/PS	1

