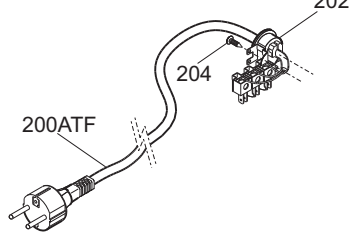
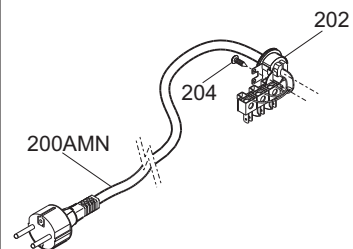


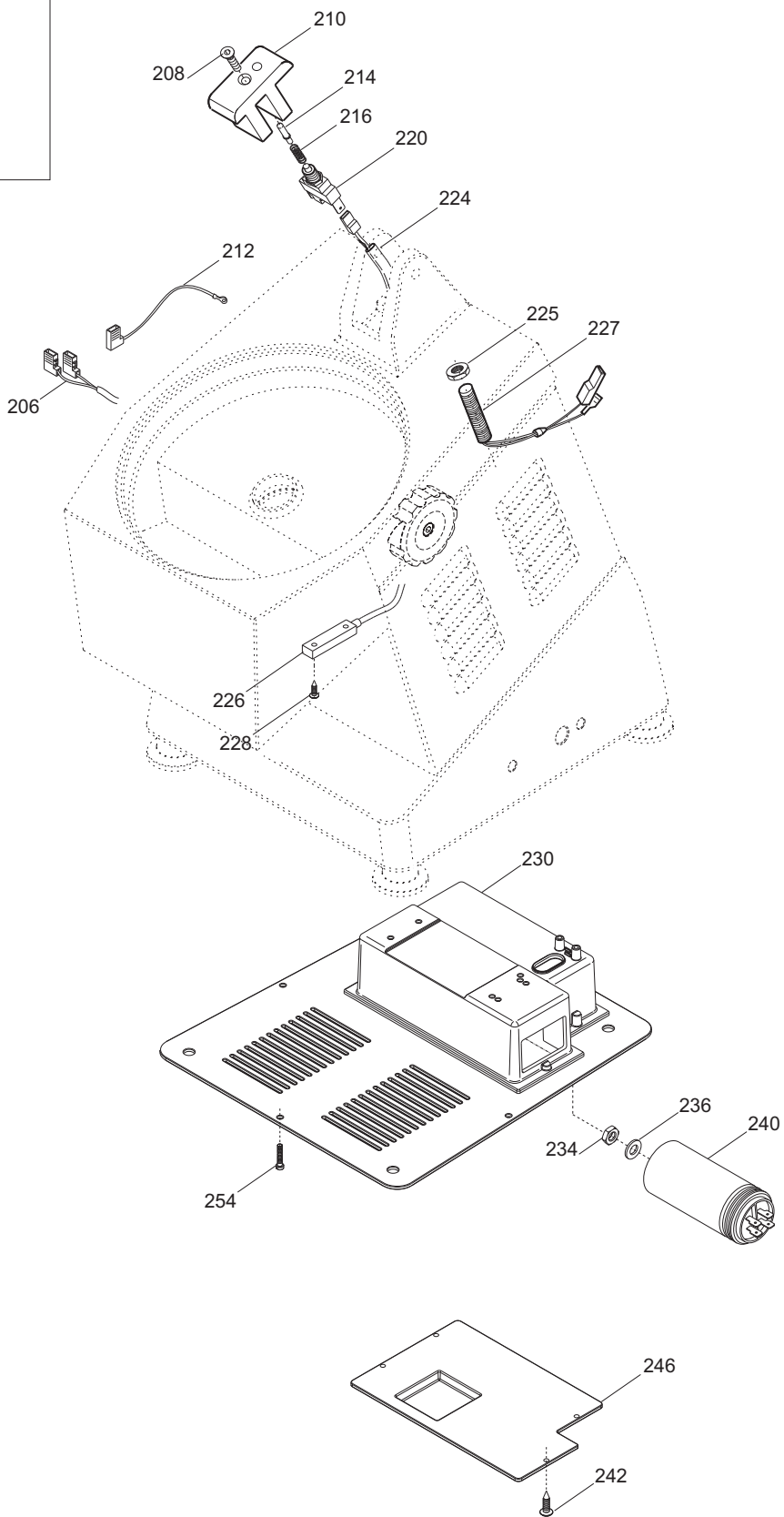
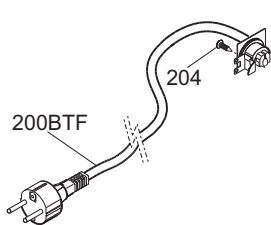
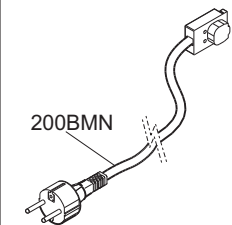
Fino a / Until 04.2019

Fino a / Until 04.2019



Da / From 05.2019

Da / From 05.2019



260

