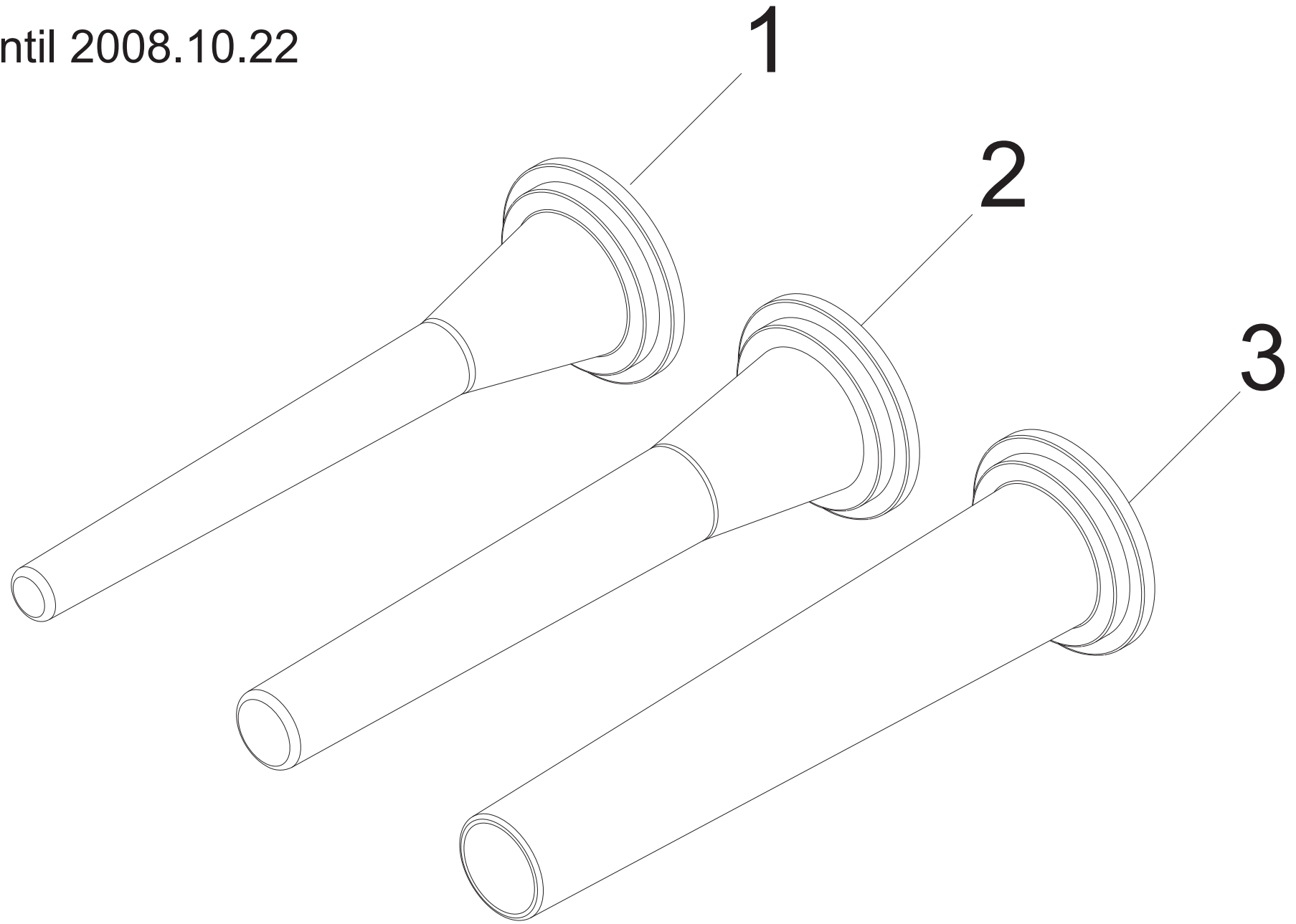


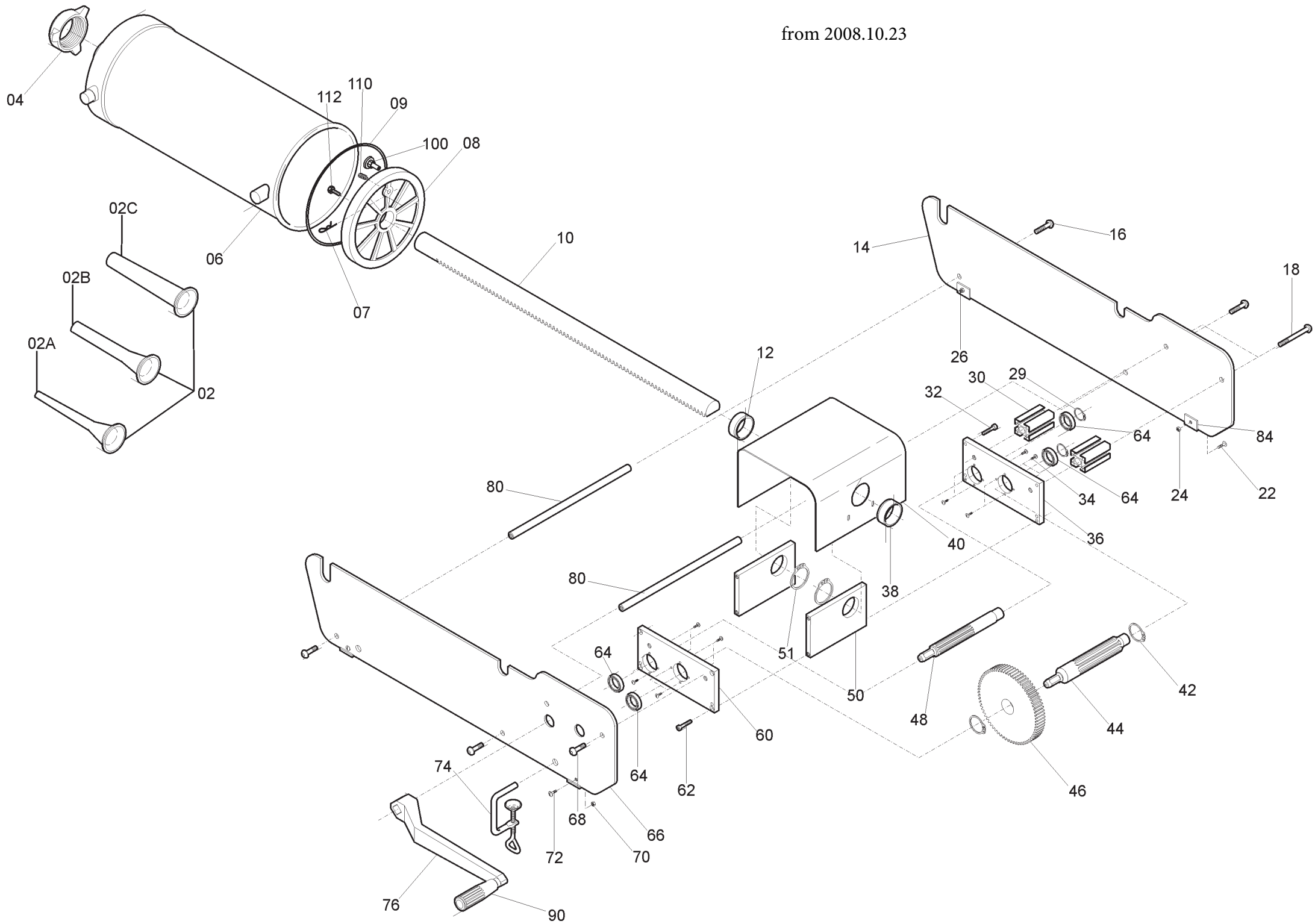
until 2008.10.22



IS 8 ARIES - until 2008.10.22

Riferir	Nome prodotto		Codice
02C	IMBUTO GRANDE	IS	LF2011015C
02B	IMBUTO MEDIO	IS	LF2011015B
02A	IMBUTO PICCOLO	IS	LF2011015A
2	SERIE IMBUTI POLIETILENE Ø 10-18-25		LF2011015
4	GHIERA CILINDRO	IS	LF2011014
6	CILINDRO COMPLETO	IS 8	LF2011008
7	COPPIGLIA	IS 8/16 IDR	LF2011020
8	TAMPONE	IS 8	LF2011011
9	OR 8600		LF1211001
10	CREMAGLIERA CROMATA	IS 8	LF2011004
12	BOCCOLA PER TESTATA	IS 8-16 ARIES	LF2011041
14	FIANCATA IS 8 OPP.MANIGLIA INOX		LF2011032
30	TUBO SPESSORE	IS 8 XM	LF2011046
38	BOCCOLA PER TESTATA	IS 8-16 ARIES	LF2011041
40	COPERTURA TESTATA	IS 8	LF2011039
42	ANELLI D ARRESTO DIN 471 D 30E		IX2471030
44	PIGNONE RITORNO	IS 8-16 RSA	LF2011035
46	INGRANAGGIO	IS 8-16	LF2011007
48	PIGNONE AVANZAMENTO	IS 8-16 RSA	LF2011036
50	PIASTRA CREMAGLIERA	IS 8	LF2011033C
51	ANELLI D ARRESTO DIN 471 D 42E		IX2471042
52	ASTA UNITURA QUADRA	IS 8	LF2011043
60	PIASTRA SUP.PIGNONE ANT/POST.IS8/16		LF2011033A
64	CUSCINETTO 6004 Z		LF1132001
66	FIANCATA IS 8 PARTE MANIGL.INOX		LF2011031
74	MORSETTO COMPLETO	IS 8/16	LF2011021
76	LEVA COMANDO	IS 8-16 MAN	LF2011013
80	ASTA UNITURA TONDA	IS 8	LF2011042
84	PIEDINO FIANCATA	IS 8/16	LF2011145
90	MANOPOLA LEVA	IS MAN	LF1511002
100	VALVOLA TAMPONE	IS 8	LF2011012
110	MOLLA	IS	LF2011209
1	IMBUTO PICCOLO	IS	LF2011015A
2	IMBUTO MEDIO	IS	LF2011015B
3	IMBUTO GRANDE	IS	LF2011015C

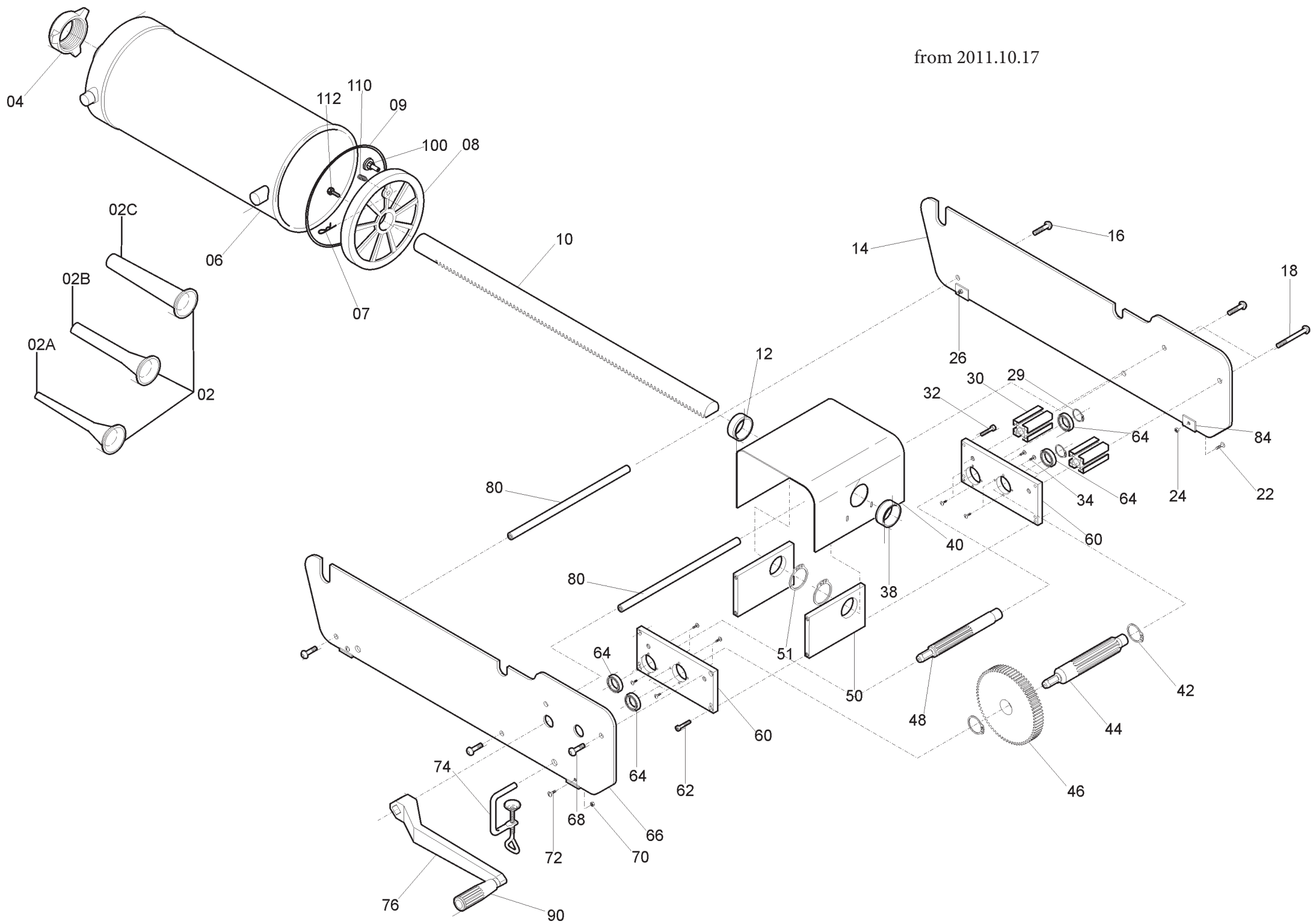
from 2008.10.23



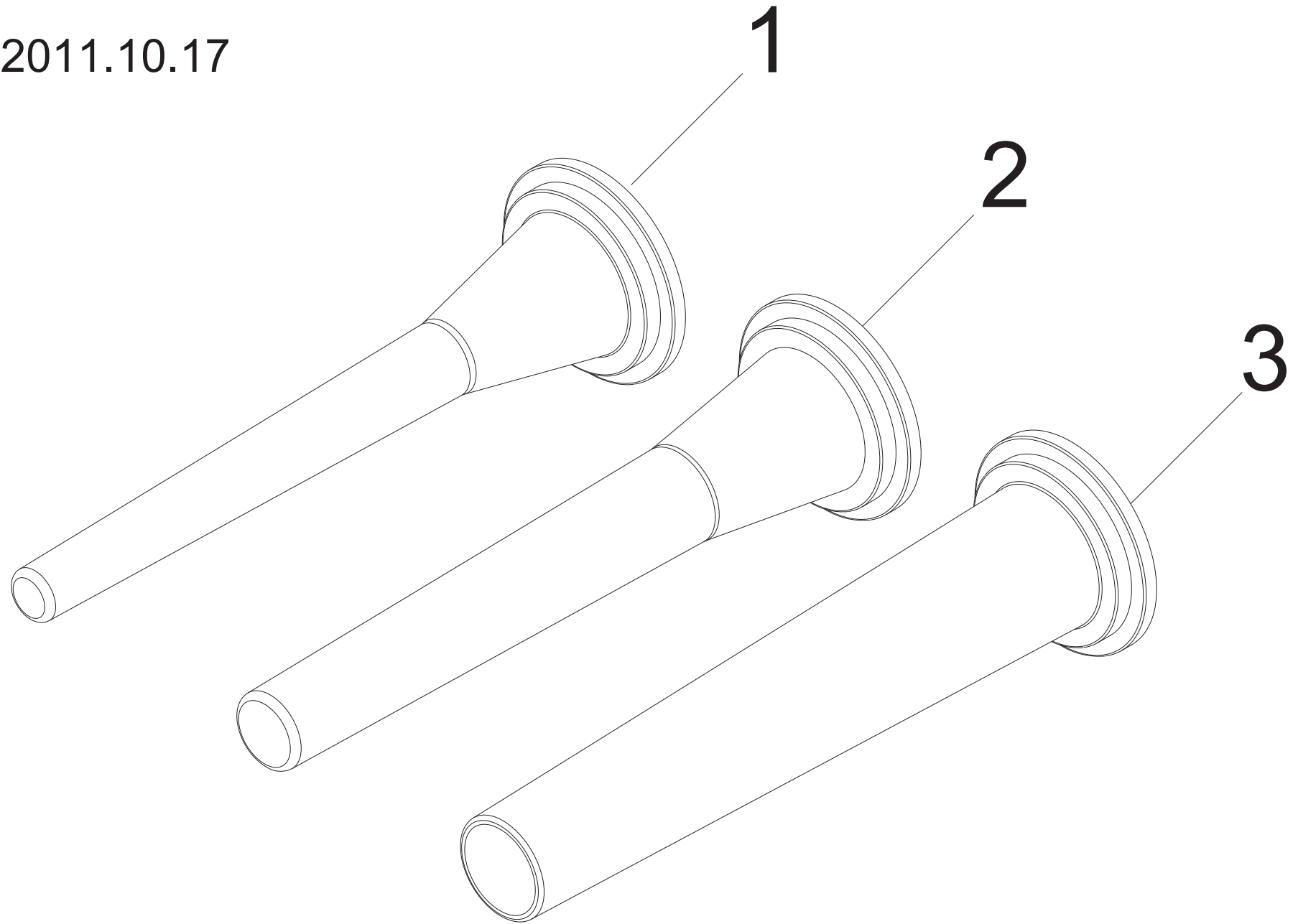
IS 8 ARIES - from 2008.10.23

Riferi	Nome prodotto		Codice
02C	IMBUTO GRANDE	IS	LF2011015C
02B	IMBUTO MEDIO	IS	LF2011015B
02A	IMBUTO PICCOLO	IS	LF2011015A
2	SERIE IMBUTI POLIETILENE Ø 10-18-25		LF2011015
4	GHIERA CILINDRO	IS	LF2011014
6	CILINDRO COMPLETO	IS 8	LF2011008
7	COPPIGLIA	IS 8/16 IDR	LF2011020
8	TAMPONE	IS 8	LF2011011
9	OR 8600		LF1211001
10	CREMAGLIERA CROMATA	IS 8	LF2011004
12	BOCCOLA PER TESTATA	IS 8-16 ARIES	LF2011041
14	FIANCATA IS 8 OPP.MANIGLIA INOX		LF2011032
30	TUBO SPESSORE	IS 8 XM	LF2011046
38	BOCCOLA PER TESTATA	IS 8-16 ARIES	LF2011041
40	COPERTURA TESTATA	IS 8	LF2011039
42	ANELLI D ARRESTO DIN 471 D 30E		IX2471030
44	PIGNONE RITORNO	IS 8-16 RSA	LF2011035
46	INGRANAGGIO	IS 8-16	LF2011007
48	PIGNONE AVANZAMENTO	IS 8-16 RSA	LF2011036
50	PIASTRA CREMAGLIERA	IS 8	LF2011033C
51	ANELLI D ARRESTO DIN 471 D 42E		IX2471042
60	PIASTRA SUP.PIGNONE ANT/POST.IS8/16		LF2011033A
64	CUSCINETTO 6004 Z		LF1132001
66	FIANCATA IS 8 PARTE MANIGL.INOX		LF2011031
74	MORSETTO COMPLETO	IS 8/16	LF2011021
76	LEVA COMANDO	IS 8-16 MAN	LF2011013
80	ASTA UNITURA TONDA	IS 8	LF2011042
84	PIEDINO FIANCATA	IS 8/16	LF2011145
90	MANOPOLA LEVA	IS MAN	LF1511002
100	VALVOLA TAMPONE	IS 8	LF2011012
110	MOLLA	IS	LF2011209

from 2011.10.17



from 2011.10.17



IS 8 ARIES - from 2011.10.17

Riferi	Nome prodotto		Codice
1	IMBUTO PICCOLO	IS	LF2011015A
2	IMBUTO MEDIO	IS	LF2011015B
3	IMBUTO GRANDE	IS	LF2011015C
02C	IMBUTO GRANDE	IS	LF2011015C
02B	IMBUTO MEDIO	IS	LF2011015B
02A	IMBUTO PICCOLO	IS	LF2011015A
2	SERIE IMBUTI POLIETILENE Ø 10-18-25		LF2011015
4	GHIERA CILINDRO	IS	LF2011014
6	CILINDRO COMPLETO	IS 8	LF2011008
7	COPPIGLIA	IS 8/16 IDR	LF2011020
8	TAMPONE	IS 8	LF2011011
9	OR 8600		LF1211001
10	CREMAGLIERA CROMATA	IS 8	LF2011004
12	BOCCOLA PER TESTATA	IS 8-16 ARIES	LF2011041
14	FIANCATA	IS 8 OPP.MANIGLIA INOX	LF2011032
30	TUBO SPESSORE	IS 8 XM	LF2011046
38	BOCCOLA PER TESTATA	IS 8-16 ARIES	LF2011041
40	COPERTURA	TESTATA IS 8	LF2011039
42	ANELLI D ARRESTO	DIN 471 D 30E	IX2471030
44	PIGNONE RITORNO	IS 8-16 RSA	LF2011035
46	INGRANAGGIO	IS 8-16	LF2011007
48	PIGNONE AVANZAMENTO	IS 8-16 RSA	LF2011036
50	PIASTRA CREMAGLIERA	IS 8	LF2011033C
51	ANELLI D ARRESTO	DIN 471 D 42E	IX2471042
60	PIASTRA SUP.PIGNONE	ANT/POST.IS8/16	LF2011033A
64	CUSCINETTO	6004 Z	LF1132001
66	FIANCATA	IS 8 PARTE MANIGL.INOX	LF2011031
74	MORSETTO COMPLETO	IS 8/16	LF2011021
76	LEVA COMANDO	IS 8-16 MAN	LF2011013
80	ASTA UNITURA	TONDA IS 8	LF2011042
84	PIEDINO FIANCATA	IS 8/16	LF2011145
90	MANOPOLA LEVA	IS MAN	LF1511002
100	VALVOLA TAMPONE	IS 8	LF2011012
110	MOLLA	IS	LF2011209