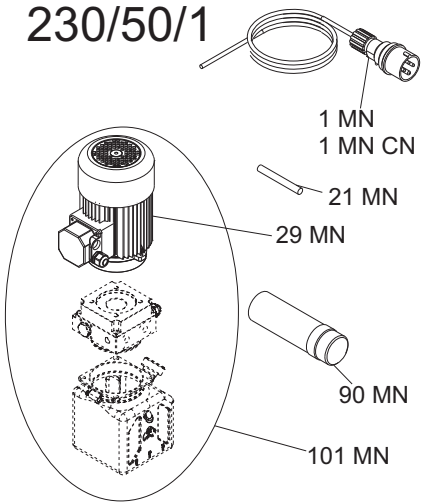
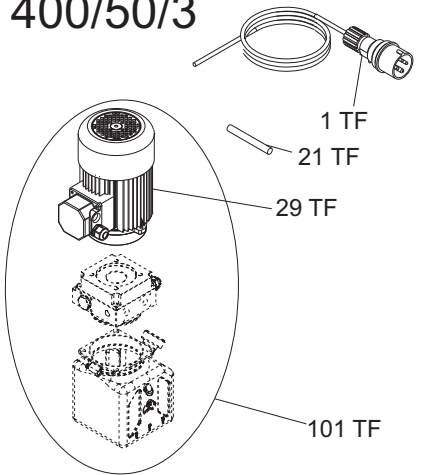


Ver. 1-PHASE 230/50/1



Ver. 3-PHASE 400/50/3



Ver. 230/TF

