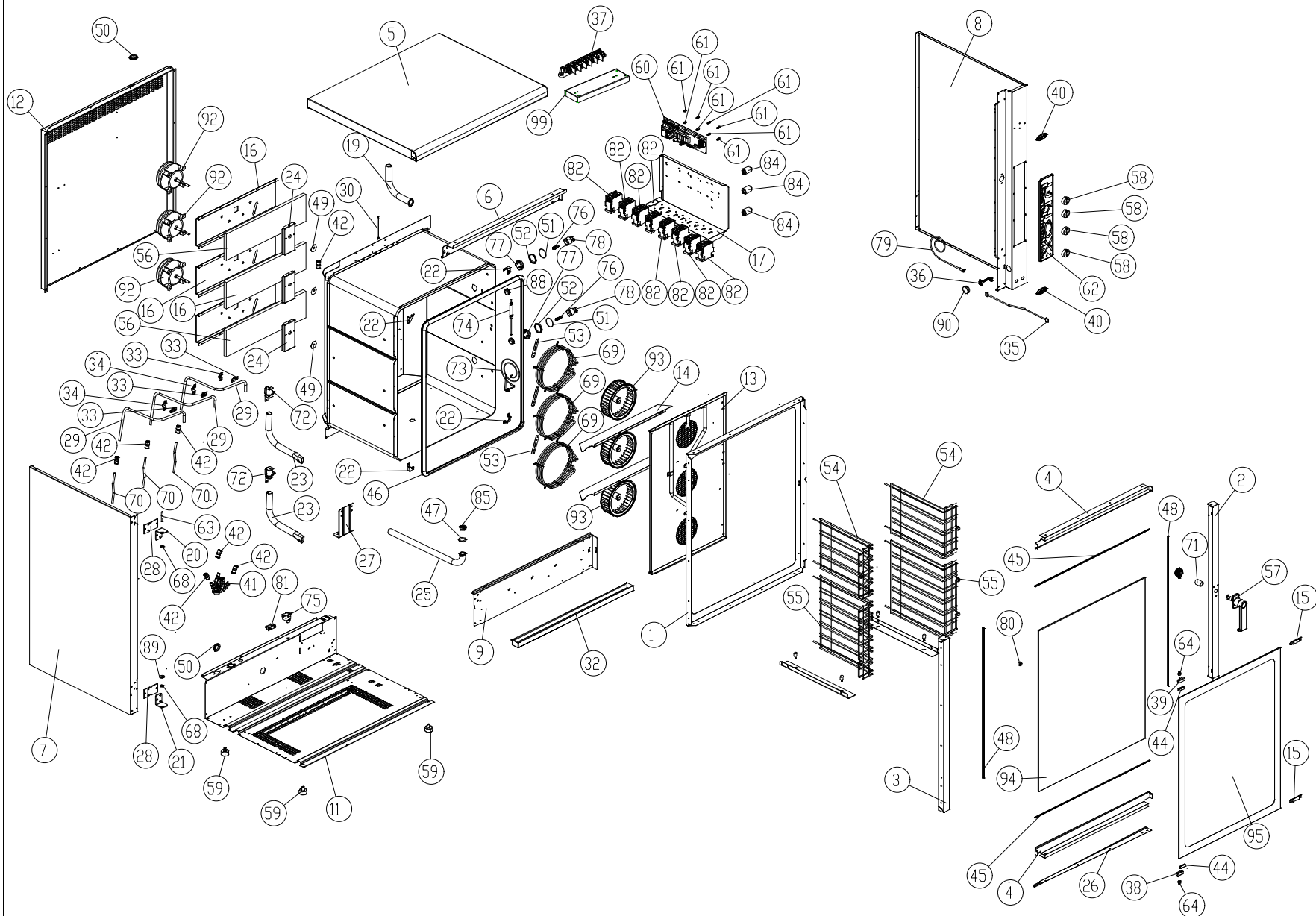


# MOD: XB803G

## EXPLODED VIEW DISEGNO ESPLOSO



### LEGEND - LEGENDA

1	OB1000A1	56	LV1000A0
2	OB1005A1	57	MG1000A0
3	OB1006A0	58	MN121
4	OB1010A1	59	PD061A
5	OD1000B0	60	PE1010A2
6	OD1010A1	61	PE102
7	OD1005B0	62	PE1050A0
8	OD1006B0	63	RC1035A0
9	OD1011A1	64	RC1000B0
11	OE1000A1	68	RC540
12	OF1000B1	69	RS1050A0
13	OG1000A3	70	TB008
14	OG1005B1	71	TB1005A0
15	2H032	72	VE115A
16	OH1000A2	73	TR1005A0
17	OH1005C0	74	TR1000A1
19	OH1015A0	75	TR255B
20	OH1020A0	76	VE1005A0
21	OH1021A0	77	VE1010A0
22	OH1040A0	78	VE1015A0
23	OH1050A1	79	VE1020A0
24	OH1060A0	80	VE1030A0
25	OH1070A0	81	VE1075A0
26	OH1100A2	82	VE208
27	OH1065A0	84	VE221
28	OH1140A1	85	VN1030A1
29	OH1500A0	88	VN1515A0
30	OH1650A0	89	VI524
32	OM1000A1	90	VM1005A0
33	2H070	92	VN1000B0
34	2H072	93	VN1005A0
35	CE1000A0	94	VT1000A0
36	CE1005A0	95	VT1002A0
37	CE212	99	OH1010A1
38	CR045		
39	CR046		
40	ED1070A0		
41	EL1050A0		
42	EL1055A0		
44	GN006A		
45	GN100		
46	GN1000B0		
47	GN1010A0		
48	GN102		
49	GN1030A1		
50	GN1045A0		
51	GN1055A0		
52	GN1065A0		
53	GN224		
54	GR1015A1		
55	GR1020A1		

# MOD: XB803G

# EXPLODED VIEW DISEGNO ESPLOSO



## DESCRIZIONE CODICI

1	OB1000A1	PORTA INTERNA INOX XB803
2	OB1005A1	COLONNINA LATERALE DX INOX XB803
3	OB1006A0	COLONNINA LATERALE SX INOX XB803
4	OB1010A1	LISTELLO SUP/INF PORTA INOX SERIE XB
5	OD1000B0	COPERCHIO INOX SERIE XB
6	OD1010A1	PROFILO SUP.INOX FACCIATA MUFFOLA XB803
7	OD1005B0	FIANCO SX INOX XB803
8	OD1006B0	FIANCO DX INOX XB803
9	OD1011A1	PROFILO INF. INOX FACCIATA MUFFOLA XB803
11	OE1000A1	FONDO ESTERNO INOX SERIE XB
12	OF1000B1	SCHIENA INOX XB803
13	OG1000A3	CARTER ARIA INOX XB803
14	OG1005B1	DIST. CARTER ARIA INOX STAND SERIE XB
15	2H032	LAMIERA FERMA PORTA FREDDA LAVATO
16	OH1000A2	PROFILO SOSTEGNO MOTORI SERIE XB-XG
17	OH1005C0	LAMIERA PORTACOMPONENTI STANDARD
19	OH1015A0	CAMINO FUMI INOX STANDARD
20	OH1020A0	STAFFA SUP. SUPPORTO PORTA
21	OH1021A0	STAFFA INFERIORE SUPP. PORTA
22	OH1040A0	ANGOLO INOX FACCIATA MUFFOLA STAND
23	OH1050A1	TUBO VENTURI STANDARD
24	OH1060A0	NUOVO SUPPORTO PREMISTOPPA ZINCATO
25	OH1070A0	TUBO SCARICO INOX ø30x1.5
26	OH1100A2	PROF. SALVA GOCCIA INOX SERIE XB
27	OH1065A0	NUOVO SOSTEGNO MUFFOLA STANDARD
28	OH1140A1	CONTROSTAFFA PORTA XB-XG-XV
29	OH1500A0	TUBO EST. UMIDITA' NUOVA LINEA STAND
30	OH1650A0	TUBO COPRI BULBO TERMOSTATO DI SIC
32	OM1000A1	CASSETTO RACCOGLI GOCCE
33	2H070	PROFILO FERMA TUBO UMIDITA' LAVATO
34	2H072	OMEGA DOPPIO FERMATUBO UM. XV401/501/XG410
35	CE1000A0	CAVO COLLEGAMENTO SCHEDE POT-CONTR
36	CE1005A0	CAVO COLLEG. SCHEDE-CONNETT.D89F
37	CE212	MORSETT. SFK/7FTW GV V0 00160593
38	CR045	CERN.DX INOX XV-XL-XB
39	CR046	CERN.SX INOX XV-XL-XB
40	ED1070A0	ETICHETTA UNOX ELLISSE 78x33 ARGENTO CON BORDO EST.
41	EL1050A0	ELETTIV 3VIE +ATT. J.G. CON RID. EL022
42	EL1055A0	RIDUZIONE J.G. DA D=10 A D=8 PM201008E
44	GN006A	GUARN.PORTA FREDDA A BAND. PTFE CAR/CARB Sp=1mm
45	GN100	PROFILO PORTA SIL NERO P346 XT
46	GN1000B0	GUARNIZIONE NERA 50 SHORE FORNI XB-XG-XV
47	GN1010A0	GUAR.PTFE+CARB NUOVO SCARICO ø42x28,5x2
48	GN102	PROFILO PORTA SIL NERO C121 XT
49	GN1030A1	GUARN.PREMISTOPPA STAMP.Ø40 ø10,3 Sp=8/10
50	GN1045A0	GUARN.ANTVIBR. CAMINO-SCARICO ø131-øe39,9-Sp=7,5
51	GN1055A0	OR 46x2 VMQ 70 ROSSO
52	GN1065A0	GUAR.(FE01)PTFE VERGINEø53x44x4 PORTALAMP.
53	GN224	GUARN.PTFE+CARB 100x22x0,8sp-c/fori 1999
54	GR1015A1	GRIGLIA LAT. DX/SX INOX GASTR. XB 5TG
55	GR1020A1	GRIGLIA LAT. DX/SX INOX GASTR. XB 7TG

56	LV1000A0	LANA VETRO CER.D=96 567x155x19 PORTAMOTORI
57	MG1000A0	NUOVA MANIGLIA STANDARD
58	MN121	MANOPOLA CON INDICE NON SERIGRAFATO '99
59	PD061A	PIEDINO M10 D=35 H=20 NERO OPACO
60	PE1010A2	SCHEDA DI POTENZA LINEA PROFESSIONAL
61	PE102	SUPPORTO PER SCHEDE 24POT98
62	PE1050A0	CONTROLLO VERTICALE COMPLETO GASTRONOMIA
63	RC1035A0	PERNO FILETTATO SUP.PORTA XB-XV-XG
64	RC1000B0	BOCCOLA INOX SUPP. VETRO STANDAR
68	RC540	BOCCOLA BRONZO STAFFE SUPP. PORTA XV501
69	RS1050A0	RESISTENZA CIRCOLARE 3000W+2000W 230V INCOLOY 5 GIRI
70	TB008	TUBO PE 7,93x4,75 TRASPARENTE
71	TB1005A0	TUBO SIL NERO 27x17 55/65 Sh
72	VE115A	ATTUATORE G01002230V
73	TR1005A0	SONDA DI TEMP. CON PASSAPARETE
74	TR1000A1	SONDA AL CUORE L=1350 CON DADO SVASATO CAVO Ø3.4
75	TR255B	TERMOSTATO SIC.+UNIPOL.330°C Ty95H L=1300mm
76	VE1005A0	LAMPADA ALOGENA 40W
77	VE1010A0	VETRO PORTALAMPADA VAPORE 2002
78	VE1015A0	PORTA LAMPADA PER LAMPADA ALOGENA
79	VE1020A0	MICROINTERRUTTORE PORTA MAGNETICO
80	VE1030A0	CALAMITA D=20mm PER MICROPORTA
81	VE1075A0	PRESSACAVO FV 268 RO
82	VE208	TELERUTTORE 3TG1010-AL2 AC-1 20A
84	VE221	CONDENS.ICAR PRL 5uf 450V FASTON
85	V11030A1	TAPPO FRESATO PER NUOVO SCARICO
88	V11515A0	SUPPORTO SONDA AL CUORE INOX
89	V1524	RONDELLA 6x24x2 INOX
90	VM1005A0	COPRITESTA ROTONDO ABS NERO 40x2
92	VN1000B0	MOTORE COND.5uf 200W ALB.M8 CONN.5 POLI
93	VN1005A0	VENTOLA 200x61 MOZZO ø10 ALB.M8 40PALE
94	VT1000A0	VETRO INT.944x764x6 TFL XB803 - XB803G
95	VT1002A0	VETRO EST.SER730x943x4 BETFLGRIGIO XB803G
99	OH1010A1	LAMIERA PORTA MORSETTIERA STAND

## DESCRIPTION

1	OB1000A1	STAINLESS STEEL INNER DOOR XB803
2	OB1005A1	
3	OB1006A0	ENG-COLONNINA LATERALE SX INOX XB803
4	OB1010A1	ENG-LISTELLO SUP/INF PORTA INOX SERIE XB
5	OD1000B0	STAINLESS STEEL COVER SERIE XB
6	OD1010A1	ENG-PROFILO SUP.INOX FACCIATA MUFFOLA XB803
7	OD1005B0	
8	OD1006B0	
9	OD1011A1	ENG-PROFILO INF. INOX FACCIATA MUFFOLA XB803
11	OE1000A1	ENG-FONDO ESTERNO INOX SERIE XB
12	OF1000B1	ENG-SCHIENA INOX XB803
13	OG1000A3	
14	OG1005B1	
15	2H032	WASHED METAL HOLDER FOR COOL DOOR
16	OH1000A2	ENG-PROFILO SOSTEGNO MOTORI SERIE XB-XG
17	OH1005C0	STANDARD IRON COMPONENT HOLDER
19	OH1015A0	STANDARD STAINLESS STEEL FUME CHIMNEY
20	OH1020A0	UPPER BRACKET TO HOLD THE DOOR
21	OH1021A0	LOWER BRACKET TO HOLD THE DOOR
22	OH1040A0	STAINLESS STEEL STANDARD CORNER OF FRONT PART OF CAVITY
23	OH1050A1	STANDARD VENTURI TUBE
24	OH1060A0	NEW ZINCED SUPPORT TO PUSH MOTORS
25	OH1070A0	ENG-TUBO SCARICO INOX ø30x1.5
26	OH1100A2	
27	OH1065A0	NEW STANDARD CAVITY SUPPORT
28	OH1140A1	ENG-CONTROSTAFFA PORTA XB-XG-XV
29	OH1500A0	EXTERNAL HUMIDITY TUBE NEW LINE STAND
30	OH1650A0	ENG-TUBO COPRI BULBO TERMOSTATO DI SIC
32	OM1000A1	DRIP TRAY
33	2H070	WASHED PROFILE TO HOLD HUMIDITY TUBE
34	2H072	ENG-OMEGA DOPPIO FERMATUBO UM. XV401/501/XG410
35	CE1000A0	CONNECTION CABLE POWER-CONTROL CARD
36	CE1005A0	CARD-CONNECTOR CONNECTION CABLE DB2F
37	CE212	TERMINAL BOARD
38	CR045	RIGHT STAINLESS STEEL HINGE XV-XL-XB
39	CR046	LEFT STAINLESS STEEL HINGE XV-XL-XB
40	ED1070A0	UNOX ELLIPTICAL STICKER 78x33-SILVER WITH EXTERNAL FRAME
41	EL1050A0	3 INLETS WATER ELECTROVALVE + J.G. CONNECTION W/ REDUCE
42	EL1055A0	J.G. REDUCTION FROM D=10 TO D=8 PM201008E
44	GN006A	COLD DOOR SEAL PTFE CAR/CARB Thickness=1mm
45	GN100	DOOR BLACK SEAL P346 XT
46	GN1000B0	BLACK DOOR SEAL 50 SHORE OVENS XB-XG-XV
47	GN1010A0	SEAL PTFE+CARB NEW DRAIN ø42x28,5x2
48	GN102	BLACK SILICON DOOR PROFILE C121 XT
49	GN1030A1	MOULDED SEAL FOR MOTOR Ø40 ø10,3 Sp=8/10
50	GN1045A0	ANTVIBR.SEAL FOR EXHAUST CHIMNEY ø131-øe39,9-Sp=7,5
51	GN1055A0	OR 46x2 VMQ 70 RED
52	GN1065A0	SEAL FOR LAMP GLASS COVER (FE01) VIRGIN PTFE ø53x44x4
53	GN224	PTFE+CARB 100x22x0,8sp-c/fori 1999 GASKET
54	GR1015A1	STAINLESS STEEL RIGHT/LEFT SIDE SUPPORT GASTRONOMY XB 5T
55	GR1020A1	RIGHT/LEFT LAT.GRID. INOX GASTR. XB 7TG

56	LV1000A0	ENG-LANA VETRO CER.D=96 567x155x19 PORTAMOTORI
57	MG1000A0	NEW STANDARD HANDLE
58	MN121	KNOB WITHOUT SERIGRAFED INDEX '99
59	PD061A	SMALL FOOT M10 D=35 H=20 BLACK OPAQUE
60	PE1010A2	POWER CARD PROFESSIONAL LINE
61	PE102	SUPPORT FOR CARD 24POT98
62	PE1050A0	COMPLETE DIGITAL VERTICAL CONTROL GASTRONOMY
63	RC1035A0	ENG-PERNO FILETTATO SUP.PORTA XB-XV-XG
64	RC1000B0	ENG-BOCCOLA INOX SUPP. VETRO STANDAR
68	RC540	BRONZE BUSHING FOR STIRRUP TO HOLD DOOR XV501
69	RS1050A0	CIRC.HEAT ELEMENT 3000W+2000W 230 V INCOLOY 5 RODS
70	TB008	TRANSPARENT TUBE PE 7,93x4,75
71	TB1005A0	BLACK SILICONE PIPE 27x17 55/65 Sh
72	VE115A	ACTUATOR G01002230V
73	TR1005A0	TEMPERATURE PROBE WITH WALL-PASSING NUT
74	TR1000A1	CORE TEMP.CONTROL PROBE L=1350 W/ COUNTERSINK NUT Ø3
75	TR255B	SAFETY THERMOSTAT+UNIPOL. 330°C Ty95H L=1300mm
76	VE1005A0	HALOGEN LAMP 40W 66640
77	VE1010A0	LIGHT BULB GLASS COVER (STEAMI) 2002
78	VE1015A0	LAMP HOLDER FOR HALOGEN LAMP
79	VE1020A0	MAGNETIC DOOR MICROSWITCH
80	VE1030A0	MAGNET FOR DOOR MICROSWITCH D=20mm
81	VE1075A0	ENG-PRESSACAVO FV 268 RO
82	VE208	REMOTE CONTROL SWITCH 3TG1010-AL2 AC-1 20A
84	VE221	ICAR CONDENSER PRL 5uf 450V FASTON
85	V11030A1	MILLED LID FOR NEW DRAIN PIPE
88	V11515A0	STAINLESS STEEL CORE TEMPERATURE CONTROL PROBE SUPPORT
89	V1524	STAINLESS STEEL WASHER 6x24x2
90	VM1005A0	ROUND HEAD COVER BLACK ABS 40x2
92	VN1000B0	MOTOR COND.5uf 200W ALB.M8 CONN.5 TERMINALS
93	VN1005A0	FAN 200x61 HUB ø10 ALB.M8 40 BLADES
94	VT1000A0	INTERNAL GLASS 944x764x6 TFL XB803 - XB803G
95	VT1002A0	EXTERNAL GREY SER.GLASS 730x943x4 BETFL XB803G
99	OH1010A1	ENG-LAMIERA PORTA MORSETTIERA STAND