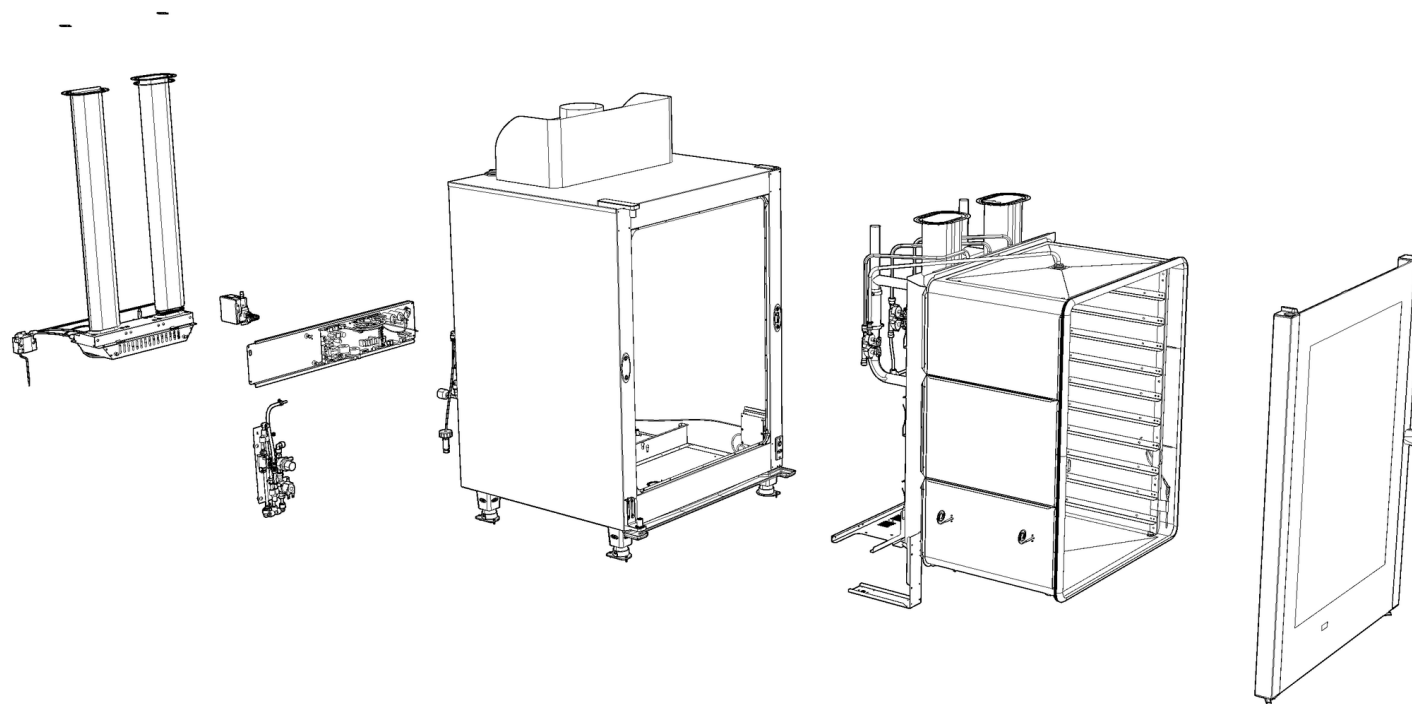
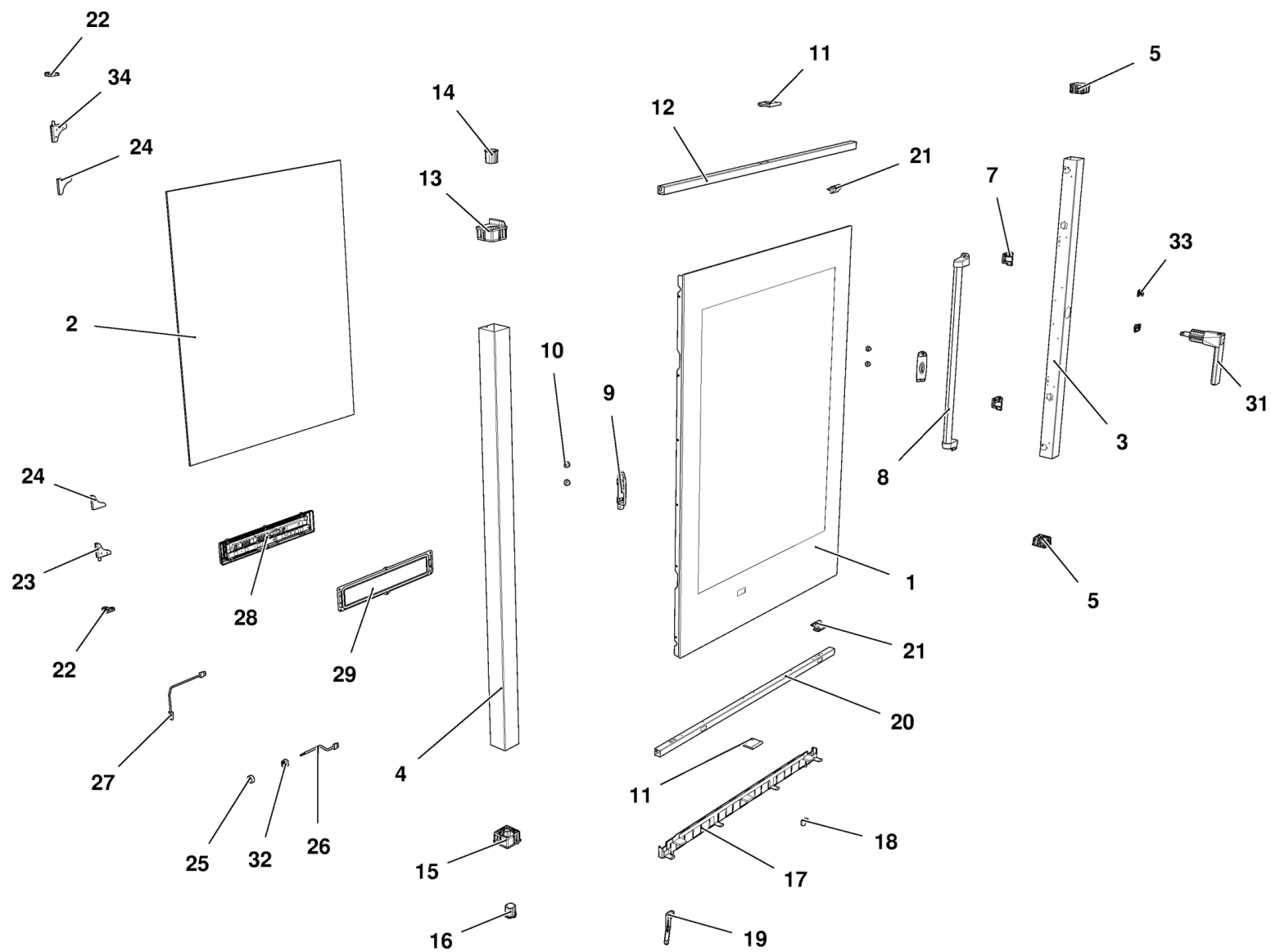


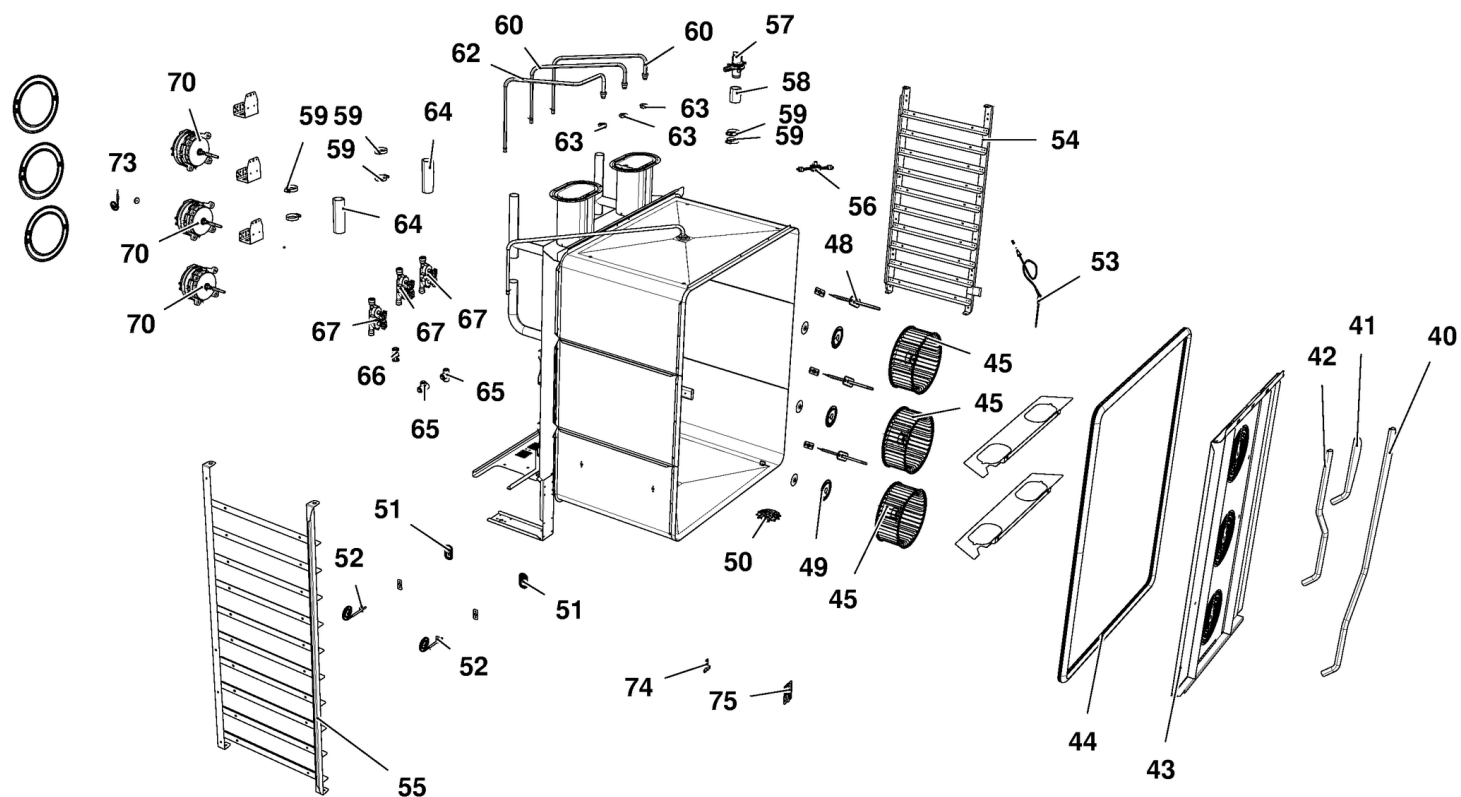
MOD:XBC815EG



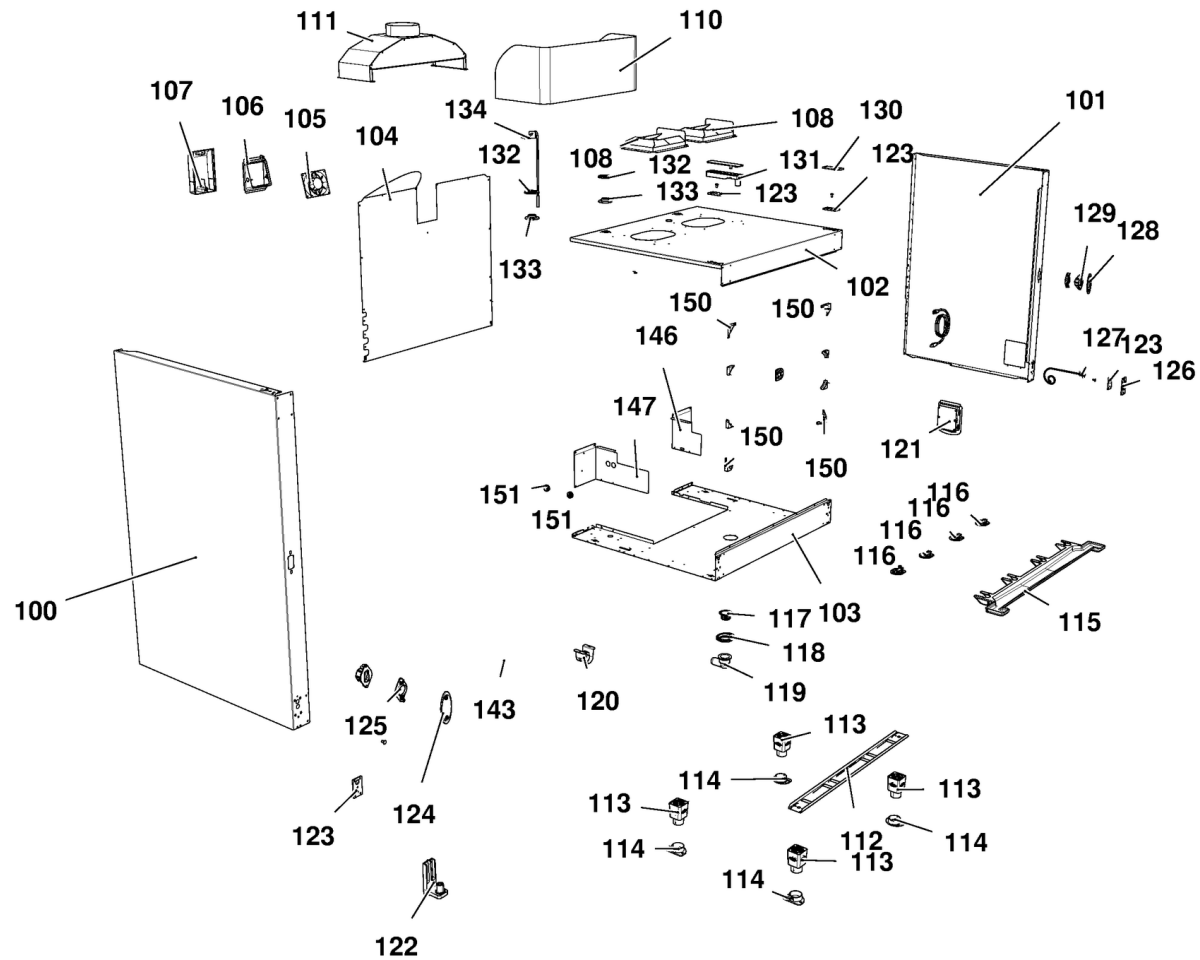
MOD:XBC815EG



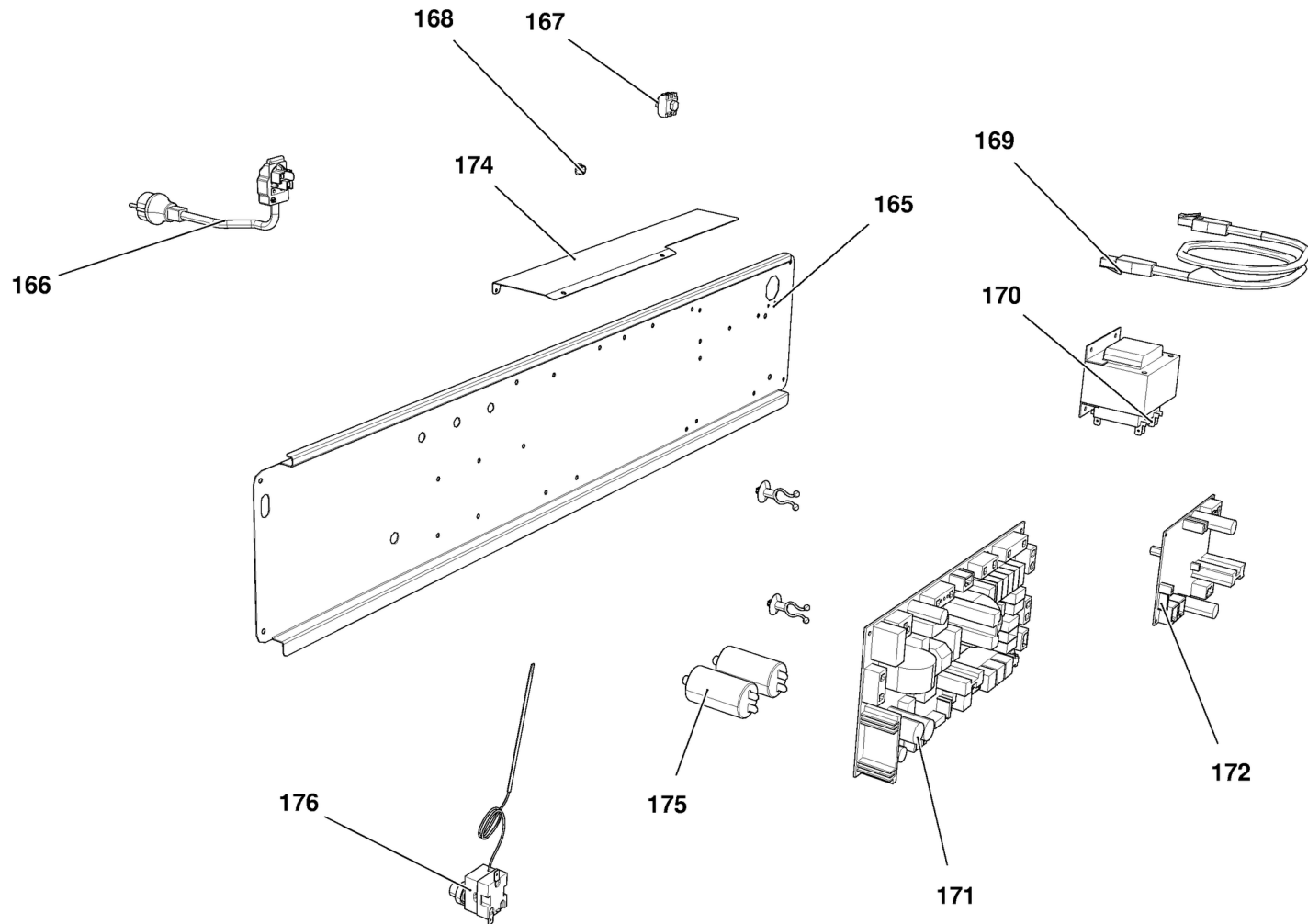
MOD:XBC815EG



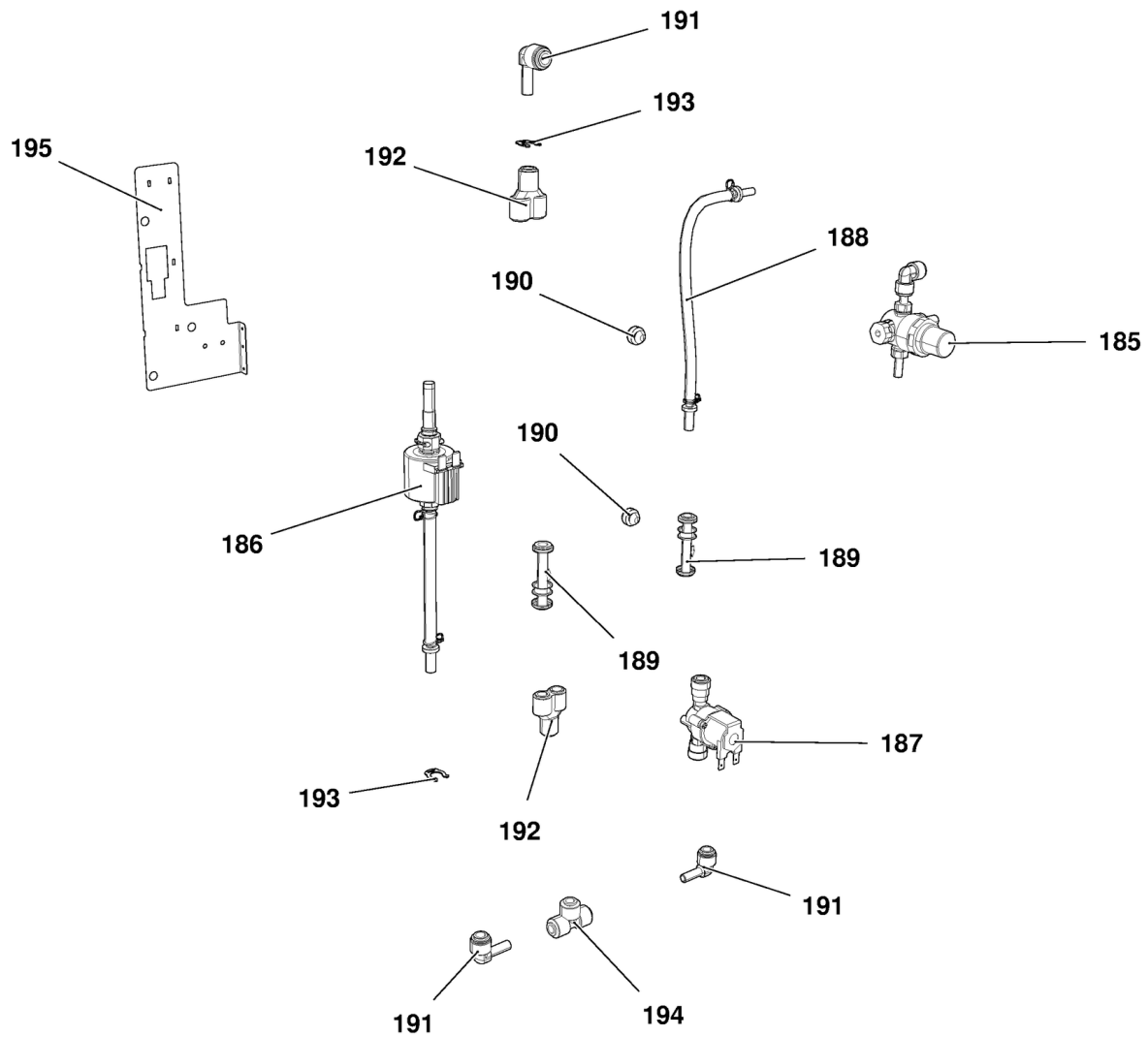
MOD:XBC815EG



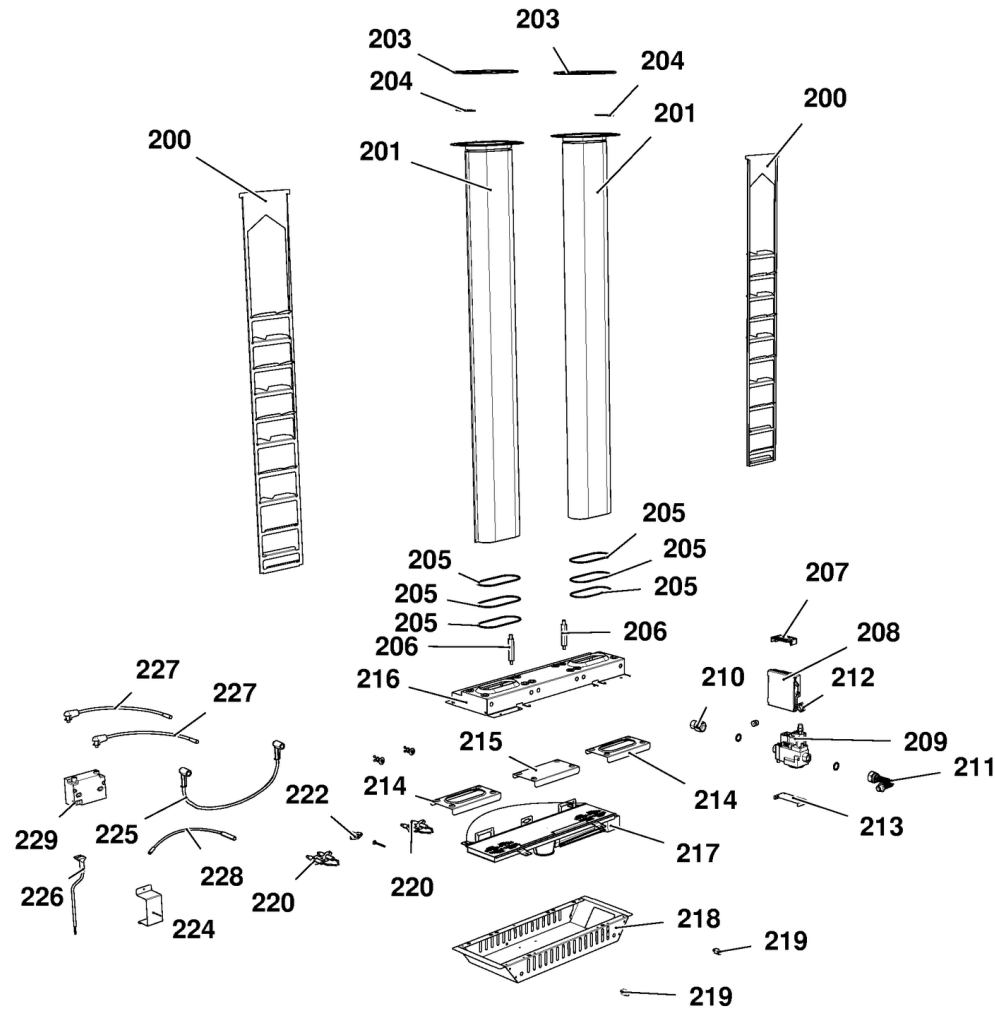
MOD:XBC815EG



MOD:XBC815EG



MOD:XBC815EG



MOD:XBC815EG



IT

Descrizione codici

1	VT1141C	VETRO ESTERNO SER. 757X1063X5
2	VT1140A	VETRO INTERNO 743X940X6 BETFL
3	TB2318A	COLONNINA DX XBC805E 50x50x1.2
4	TB1201A	COLONNINA SX PORTA XBC805 50x50x1
5	VM1175A	TAPPO ESTETICO COLONNINA PORTA
7	VM2042A	ASSIEME CHIUSURA VETRO INTERNO LA
8	LP1003B	BARRA ILLUMINAZIONE LED L600
9	VM1590A	STAFFA SPINGIVETRO INTERNO XVC705
10	VM1630A	TAPPO PREMI VETRO INTERNO
11	VM2031A	PREMIVETRO ESTERNO
12	TB1361A	LISTELLO SUP. BT S.5E 20x20x1
13	VM1170B	TAPPO FULCRO SUP. PORTA XVC204/30
14	VM1511A	BOCCOLA LISCIA PERNO PORTA CHEFFT
15	VM1171B	TAPPO FULCRO INF. PORTA XVC204/30
16	VM1510A	BOCCOLA SCANALATA PERNO PORTA XBC
17	VM1617A	PROFILO SALVAGOC CIA 400/600/800
18	VM2044A	TAPPO PER PROFILO RACCOGLI GOCCE
19	VM2014A	TUBO PER PROFILO RACCOGLI GOCCE S
20	TB1362A	LISTELLO INF. BT S.5E 20x20x1
21	VM2043A	SUPPORTO VETRO SUP - INF
22	VM1680A	CERNIERA APERTURA VETRO INTERNO
23	CR1086A	CERNIERA VETRO INT INOX INF
24	GN1181A	GUARNIZIONE CERN VETRO INT CR1085
25	CE1285A	FERRITE EMI ROUND MOD. 2643801502
26	CE1310A	CAVO COLLEGAMENTO POTENZA CONTROL
27	CE1665A	CAVO ALIMENTAZIONE BARRA LED 1 MT
28	PE1740C	SCHEDA CONTROLLO PE1705 CT BT
29	VM1145A	CORNICE CRUSCOTTO C.T.
31	VM1180A	IMPUGNATURA MANIGLIA XVC204/304/5
32	CE1290A	MORSETTO FEMMINA ESTRAIBILE CPF 5
33	VM1490A	COPRI VITI MANIGLIA CHEFTOP BAKER

34	CR1085A	CERNIERA VETRO INT INOX SUP
40	TB2272A	TUBO INT UMIDITA DX 3 MOTORI Ø16x
41	TB2270A	TUBO INT UMIDITA CENTR 3 MOTORI Ø
42	TB2271A	TUBO INT UMIDITA SX 3 MOTORI Ø16x
43	OG1500A	CARTER CON ALETTE XBC815EG
44	GN1343B	GN1006A-GUARNIZIONE PORTA XBC804
45	VN1030A	VENTOLA D196 H81.39 PALE DADO M8
48	RS1215A	RES. PIANA 147W 105V D230 1 SPIRA
49	OH4305A	DISCO TENUTA ALBERO MOTORE INOX S
50	OH2551A	TAPPO PER TUBO DI SCARICO LIQUIDI
51	VM1465A	COPERCHIO SONDA TEMPERATURA CHEFT
52	TR1105A	SONDA TEMPERATURA PT100 L=1000
53	TR1041A	SONDA AL CUORE STAMPATA L=2000
54	GRL1225A	SUPPORTO LATERALE DX INOX 7TG GN1
55	GRL1226A	SUPPORTO LATERALE SX INOX 7TG GN1
56	VL1037A	GIRANTE LAVAGGIO
57	VE1135A	ATTUATORE VENTURI 220V 50/60 Hz S
58	TB1956A	TB1520A-TUBO NERO EPDM L=50
59	RC1378A	FASCETTA STRINGI TUBO ZINCATA
60	TB1515A	TUBO EST. UMIDITA' + RC1165A0
62	TB2246A	TUBO EST. UMIDITA' + RC1165A0
63	RC1170A	DADO M14 H=8 CH=22 INOX
64	TB2053A	TB1520A-TUBOD.Int38 SP4 L120
65	EL1020A	RACCORDO INTERMEDIO "T" TUBO Ø8
66	EL1055A	RIDUZIONE INTERMEDIA D10-D8
67	EL1361A	ELETTROVALVOLA TRI-STADIO JG D8-D
70	VN1130A	MOTORE FORNO 330W 230V 50/60HZ
73	PE1710A	SENSORE NUMERO GIRI MOTORE
74	GN1531A	GUARNIZIONE TENUTA INGRESSO BULBO
75	OH7030A	COPERCHIO INGRESSO BULBO
100	OD1497A	FIANCO SX XBC815EG

101	OD1498A	FIANCO DX XBC815EG
102	OD1800A	COPERCHIO XBC615/815G
103	OE1313A	FONDO EST BT GAS S.5E
104	OF1434A	SCHIENA XBC815EG
105	VN1163A	VENTOLA RAFFREDDAMENTO 230V
106	VM1555A	SUPPORTO VENTOLA RAFFREDDAMENTO C
107	VM1556A	PROTEZIONE VENTOLA RAFFREDDAMENTO
108	ON1379A	LAMIERA LATERALE CANNE IPX
110	ON1210A	COPERTURA ESTETICA INTER. TIRAG.
111	ON1355A	CORPO INTERRUTTORE TIRAGGIO FUMI
112	OH6395A	LONGHERONE BT S.5-E
113	PD1060A	PORTE FISSA PIEDE CT BT
114	PD1063A	STAFFA BLOCCAGGIO PIEDE CT BT
115	VM1992A	CASSETTO RACCOGLI GOCCE 860
116	VM2074A	CLIP CON VITE PER SUPPORTO CASSET
117	GN1400A	GUARNIZIONE SIFONE
118	VM2039A	ANELLO FISSAGGIO CURVA DI SCARICO
119	VL1026A	CURVA PER TUBO DI SCARICO
120	VM2035A	SUPPORTO PER TUBO DI SCARICO
121	PE1971B	ASM SCHEDA UNOX.LINK MODBUS RJ45+
122	VM1160B	STAFFA INFERIORE PORTA CT BT
123	OH2560A	CONTROSTAFFA ZINCATA PORTA C.T.
124	VM1461A	COPERCHIO SX SCROCCO PORTA XBC/XV
125	VM1192A	COPERCHIO SCROCCO MANIGLIA CT BT
126	VM1201A	PIASTRINA SUPPORTO MICROPORTA MAG
127	VE1020A	MICROINTERRUTTORE PORTA MAGNETICO
128	VM1460A	COPERCHIO DX SCROCCO PORTA XBC/XV
129	VM1190A	SCROCCO MANIGLIA DX CT BT
130	VM1195A	PIASTRINA COPRIFORI XVC204/304/50
131	VM1165B	STAFFA SUPERIORE PORTA CT BT
132	OH3790A	LAMIERA TENUTA CAMINO

133	GN1275A	GUARNIZIONE CAMINO SILICONE NERO
134	TR1109A	SONDA TEMPERATURA TC K L2000 COMP
143	TB2235A	ROCCETTO DETERGENTE TUBO Ø8
146	OH4060A	LAMIERA COPERTURA ELETT. GAS INOX
147	OH6406A	LAMIERA COPERTURA ACCENDITORE
150	OH1450A	ANGOLO FACCIATA MUFFOLA INOX XB-X
151	GN1312A	PASSACAVO GOMMA DE=26 DI=15 SP=10
165	OP1007B	PORTACOMPONENTI BT GAS S.5E
166	MR1000A	CAVO 3X1,5 H07RN-F MT1,5+K2/3+SCH
167	VM1750A	MORSETTIERA A PETTINE
168	VM1840A	TAPPO NYLON NERO DIAM. 9,5 MM
169	CE1400A	CAVO RJ45 - RJ45 L=0,5MT
170	VE1026A	TRASFORMATORE 230-21-12Vac 90VA
171	PE1725E	SCHEDA POTENZA FORNI CT-BT S5.E
172	PE1730C	SCHEDA GESTIONE CENTRALINA GAS CT
174	OH7077A	PROFILO PROTEZIONE SCHEDA POTENZA
175	CN1003A	CONDENSATORE CORAZZATO 6,3 uF
176	TR1136A	TERMOSTATO SIC. UNIP. 330°C
185	VL1014A	RIDUTTORE DI PRESSIONE CON DISTRI
186	VL1038A	POMPA VIBRAZIONE
187	EL1411A	ELETTROVALVOLA H2O CON CHECK VALV
188	TB2403A	TUBO PVC Ø9X6 L 250 MM
189	EL1180A	RACCORDO NON RITORNO Ø8 Ø8 FEMMIN
190	VM1630A	TAPPO PREMI VETRO INTERNO
191	EL1195B	RACCORDO GOMITO D8F-D8M
192	EL1115B	RACCORDO Y D8
193	EL1345A	CLIP BLOCCA PINZETTA RACCORDI Ø8
194	EL1020A	RACCORDO INTERMEDIO "T" TUBO Ø8
195	OH6413A	SUPPORTO IMPIANTO IDRICO
200	ON1235A	TURBOLATORE XBC814G
201	ON1230A	CANNA SCAMBIATORE XBC814G

201	ON1230A	CANNA SCAMBIATORE XBC814G
203	LV1525A	GUARNIZIONE CORDA FIBRA DI VETRO
204	ON1135A	FORCHETTA PER TURBOLATORI GAS
205	GR1070A	ANELLO PER LABIRINTO CANNA-PORTAC
206	TF1050A	COLONNINA FISSAGGIO BRUCIATORE XB
207	VE1060A	COPERCHIO PER VE1055A0
208	VE1055A	CONTROLLO FIAMMA HLL 220-240V 5 S
209	EL1400C	ELETTROVALVOLA MODULANTE GAS HONE
210	RC1045A	RACC DRITTO OTT FIL 3/4GAS FEMM.
211	RC1325A	RACCORDO FLESS.LE GAS 3/8 EST-M13
212	VI1140A	DADO 3/8" GAS FEMM 22x7 OTTONE OT
213	OH6501A	SUPPORTO VALVOLA GAS SERIE E
214	ON1190A	SCUDO INTERNO XVC314/514/714
215	ON1195A	SCUDO INTERMEDIO XVC314/514/714 G
216	ON1310A	SCATOLA SUP. BRUCIATORE ATM V2
217	BR1305A	ASS. BRUCIATORE ATM XVC/XBC 5 CAN
218	ON1185A	SCATOLA INFERIORE XVC314/514/714G
219	TF1045A	PERNO SOSTEGNO ANTERIORE BRUCIATO
220	BR1310A	CANDELA DOPPIA ACCENSIONE XVC-XBC
220	BR1310A	CANDELA DOPPIA ACCENSIONE XVC-XBC
222	BR1230A	CANDELA DI RILEVAZIONE ACCENSIONE
224	OH5126A	OMEGA FISSAGGIO ACCENDITORE
225	CE1782A	CAVO FIDA PONTE HV L=300
226	CE1811A	CAVO ALIMENTAZIONE ACCENDITORE
227	CE1777A	CAVO FIDA ACCENSIONE HV L=650
228	CE1792A	CAVO CANDELA RILEVAZIONE FIAMMA
229	VE1625A	ACCENDITORE SSE

MOD:XBC815EG



EN

Codes descriptions

1	VT1141C	EXTERNAL GLASS 757X1063X5
2	VT1140A	INTERNAL GLASS 743x940x6 BETFL
3	TB2318A	XBC805E RIGHT DOOR COLUMN
4	TB1201A	XBC805 ST. STEEL LEFT DOOR COLUMN
5	VM1175A	DOOR COLUMN BLANKING CAP
7	VM2042A	INTERNAL GLASS LATERAL LOCKING SY
8	LP1003B	LED LIGHT BAR L600
9	VM1590A	XVC705 XBC805 GLASS PUSHING BRACK
10	VM1630A	INTERNAL GLASS PUSHING CAP
11	VM2031A	EXTERNAL GLASS PUSHING PLATE
12	TB1361A	S. E BAKERTOP DOOR UPPER LISTEL
13	VM1170B	UPPER DOOR FULCRUM CAP
14	VM1511A	XBC/XVC SLEEK DOOR PIN BUSHING
15	VM1171B	DOOR LOWER FULCRUM CAP
16	VM1510A	XBC/XVC GROOVED DOOR PIN BUSHING
17	VM1617A	DRIP PROFILE
18	VM2044A	DRIP PROFILE CAP
19	VM2014A	LEFT DRIP PROFILE PIPE
20	TB1362A	S. E BAKERTOP DOOR LOWER LISTEL
21	VM2043A	UPPER - LOWER GLASS SUPPORT
22	VM1680A	INTERNAL GLASS HINGE
23	CR1086A	INTERNAL GLASS LOWER HINGE
24	GN1181A	INTERNAL GLASS HINGE SEAL
25	CE1285A	EMI ROUND FERRITE MOD.2643801502
26	CE1310A	POWER - CONTROL BOARD CONNECTING
27	CE1665A	LED POWER SUPPLY 1 M CABLE
28	PE1740C	CT BT CONTROL BOARD PE1705 + BOAR
29	VM1145A	C.T. BOARD FRAME
31	VM1180A	4 AND 5 SERIES CT BT HANDLE HAFT
32	CE1290A	EXTRACTABLE FEMALE TERMINAL CPF 5
33	VM1490A	CHEFTOP/BAKERTOP HANDLE SCREWS CO

34	CR1085A	INTERNAL GLASS UPPER HINGE
40	TB2272A	3 MOTORS INTERNAL RIGHT WATER PIP
41	TB2270A	3 MOTORS INTERNAL CENTR WATER PIP
42	TB2271A	3 MOTORS INTERNAL LEFT WATER PIPE
43	OG1500A	XBC815EG FAN GUARD WITH FLAPS
44	GN1343B	XBC804-805 DOOR GASKET - GN1006A
45	VN1030A	MOTOR FAN D196 H81 39 BLADE NUT M
48	RS1215A	147W 105V D230 1 TURN FLAT ELEMEN
49	OH4305A	ST. STEEL MOTOR SHAFT SEALING DIS
50	OH2551A	XBC/XVC ST.STEEL DRAIN COVER
51	VM1465A	CHEFTOP TEMPERATURE PROBE COVER
52	TR1105A	TEMPERATURE PROBE PT100 L=1000
53	TR1041A	MOLDED CORE PROBE L=2000
54	GRL1225A	7 GN/1 ST. STEEL RIGHT LATERAL S
55	GRL1226A	7 GN/1 ST. STEEL LEFT LATERAL SU
56	VL1037A	WASHING SYSTEM ROTOR
57	VE1135A	VENTURI ACTUATOR 220 V 50/60 Hz S
58	TB1956A	TB1520A - EPDM BLACK PIPE L=50
59	RC1378A	HOSE CLAMP
60	TB1515A	EXTERNAL WATER PIPE + RC1165A0
62	TB2246A	EXTERNAL WATER PIPE + RC1165A0
63	RC1170A	STAINLESS STEEL NUT M14 H=8 CH=22
64	TB2053A	TB1520A-TUBO D.int38 SP4 L120
65	EL1020A	INTERMEDIATE "T" CONNECTION #8
66	EL1055A	INTERMEDIATE REDUCTION FROM D=10
67	EL1361A	J.G. THREE-STAGE SOLENOID VALVE D
70	VN1130A	330W 230V 50/60HZ MOTOR
73	PE1710A	MOTOR REVOLUTIONS SENSOR
74	GN1531A	PROBE SEALING
75	OH7030A	INLET COVER BULB
100	OD1497A	XBC805E/815EG EXTERNAL LEFT SIDE

101	OD1498A	XBC805E/815EG EXTERNAL RIGHT SIDE
102	OD1800A	XBC615G/815G EXTERNAL COVER
103	OE1313A	E S. BAKERTOP GAS EXTERNAL BOTTOM
104	OF1434A	XBC815EG EXTERNAL BACK PANEL
105	VN1163A	COOLING FAN 230V
106	VM1555A	CT BT COOLING DOWN FAN SUPPORT
107	VM1556A	XBC-XVC COOLING FAN GUARD
108	ON1379A	HEAT EXCHANGER LATERAL PANEL
110	ON1210A	XVC GAS DRAFT STOPPER EXTERNAL CO
111	ON1355A	GAS DRAFT STOPPER CASING
112	OH6395A	S. S-E BAKERTOP FEET BRACKET
113	PD1060A	CT BT FOOT FIX COMPONENT
114	PD1063A	CT BT FOOT STOP BRACKET
115	VM1992A	E SERIES BAKERTOP DRIP TRAY
116	VM2074A	C.T. DRIP TRAY FIXING CLIP WITH S
117	GN1400A	U-TRAP SEAL
118	VM2039A	DRAIN BEND FIXING RING
119	VL1026A	BEND FOR DRAIN PIPE
120	VM2035A	DRAIN PIPE SUPPORT
121	PE1971B	UNOX.LINK MODBUS RJ45+USB
122	VM1160B	CT BT DOOR LOWER BRACKET
123	OH2560A	XBC/XVC ZINC PLAT. DOOR COUNTERBR
124	VM1461A	XBC/XVC LEFT DOOR LATCH CAP
125	VM1192A	CT BT DOOR SPRING LATCH COVER
126	VM1201A	MAGNETIC SUPPORT PLATE FOR DOOR M
127	VE1020A	MAGNETIC DOOR MICROSWITCH
128	VM1460A	XBC/XVC RIGHT DOOR LATCH CAP
129	VM1190A	CT BT RIGHT DOOR SPRING LATCH
130	VM1195A	HOLES BLANKING PLATE XVC204/304/5
131	VM1165B	CT BT DOOR UPPER BRACKET
132	OH3790A	CHIMNEY HOLDING PLATE

133	GN1275A	XBC/XVC BLACK CHIMNEY SEALING
134	TR1109A	TC K L2000 TEMPERATURE PROBE-US V
143	TB2235A	Ø8 DETERGENT PIPE COIL
146	OH4060A	XBC615G ST. STEEL GAS ELECTRONIC
147	OH6406A	STARTER COVER
150	OH1450A	XB-XV-XG ST. STEEL MUFFLE FRONT C
151	GN1312A	RUBBER CABLE-PASSING DE=26 DI=15
165	OP1007B	
166	MR1000A	CABLE 3X1,5 H07RN-F MT1,5+K2/3+S
167	VM1750A	TERMINAL BOARD
168	VM1840A	BLACK NYLON CAP DIAM. 9,5mm
169	CE1400A	RJ45 - RJ45 CABLE L=0,5MT
170	VE1026A	TRANSFORMER 230-21-12Vac 80VA
171	PE1725E	E SERIES CHEFTOP-BAKERTOP POWER C
172	PE1730C	CT-BT GAS CONTROL BOARD
174	OH7077A	POWER CARD PROTECTING PROFILE H55
175	CN1003A	CONDENSER6,3 UF
176	TR1136A	SAFETY THERMOSTAT UNIP. 330°C
185	VL1014A	PRESSURE REDUCER WITH DISTRIBUTOR
186	VL1038A	VIBRATION PUMP
187	EL1411A	SOLENOID VALVE WITH CHECK VALVE
188	TB2403A	Ø9X6 L 250 MM PVC PIPE
189	EL1180A	Ø8 Ø8 FEMALE NON-RETURN CONNECTIO
190	VM1630A	INTERNAL GLASS PUSHING CAP
191	EL1195B	D8F-D8M ELBOW CONNECTION
192	EL1115B	Y D8 CONNECTION
193	EL1345A	CLIP TO FIX Ø8 mm CONNECTION JOI
194	EL1020A	INTERMEDIATE "T" CONNECTION #8
195	OH6413A	WATER SYSTEM SUPPORT
200	ON1235A	XBC814/5G - XVC2015G BAFFLE
201	ON1230A	XBC814/5G - XVC2015G HEAT EXCHANG

201	ON1230A	XBC814/5G - XVC2015G HEAT EXCHANG
203	LV1525A	COUNTERPIPE GLASS FIBRE STRING SE
204	ON1135A	GAS BUFFLE FORK
205	GR1070A	STAINLESS STEEL RING FOR LABYRIN
206	TF1050A	XBC BURNER FIXING COLUMN
207	VE1060A	COVER FOR VE1055A0
208	VE1055A	HLL 220-240V 5 SEC FLAME CONTROL
209	EL1400C	
210	RC1045A	3/4 FEMALE-3/4 STRAIGHT GAS CONNE
211	RC1325A	FLEXIBLE GAS JOINT 3/8 EST-M13X1
212	VI1140A	BRASS FEMALE GAS NUT 3/8" 22x7
213	OH6501A	E SERIES GAS VALVE SUPPORT
214	ON1190A	XBC-XVC INTERNAL BURNER GUARD
215	ON1195A	XBC-XVC MID BURNER GUARD
216	ON1310A	UPPER BOX FOR ATM V2 BURNER
217	BR1305A	XVC/XBC 5 CANDLES BURNER
218	ON1185A	XVC315/515/715G ST. ST. LOWER BOX
219	TF1045A	FRONT BURNER RESTING PIN
220	BR1310A	XBC-XVC DOUBLE START UP CANDLE
220	BR1310A	XBC-XVC DOUBLE START UP CANDLE
222	BR1230A	START UP SENSOR CANDLE
224	OH5126A	LIGHTER FIXING OMEGA
225	CE1782A	HV L=300 BRIDGE FIDA CABLE
226	CE1811A	LIGHTER CONNECTING CABLE
227	CE1777A	HV L=650 STARTER FIDA CABLE
228	CE1792A	FLAME DETECTOR CANDLE CABLE
229	VE1625A	5E SERIES GAS LIGHTER