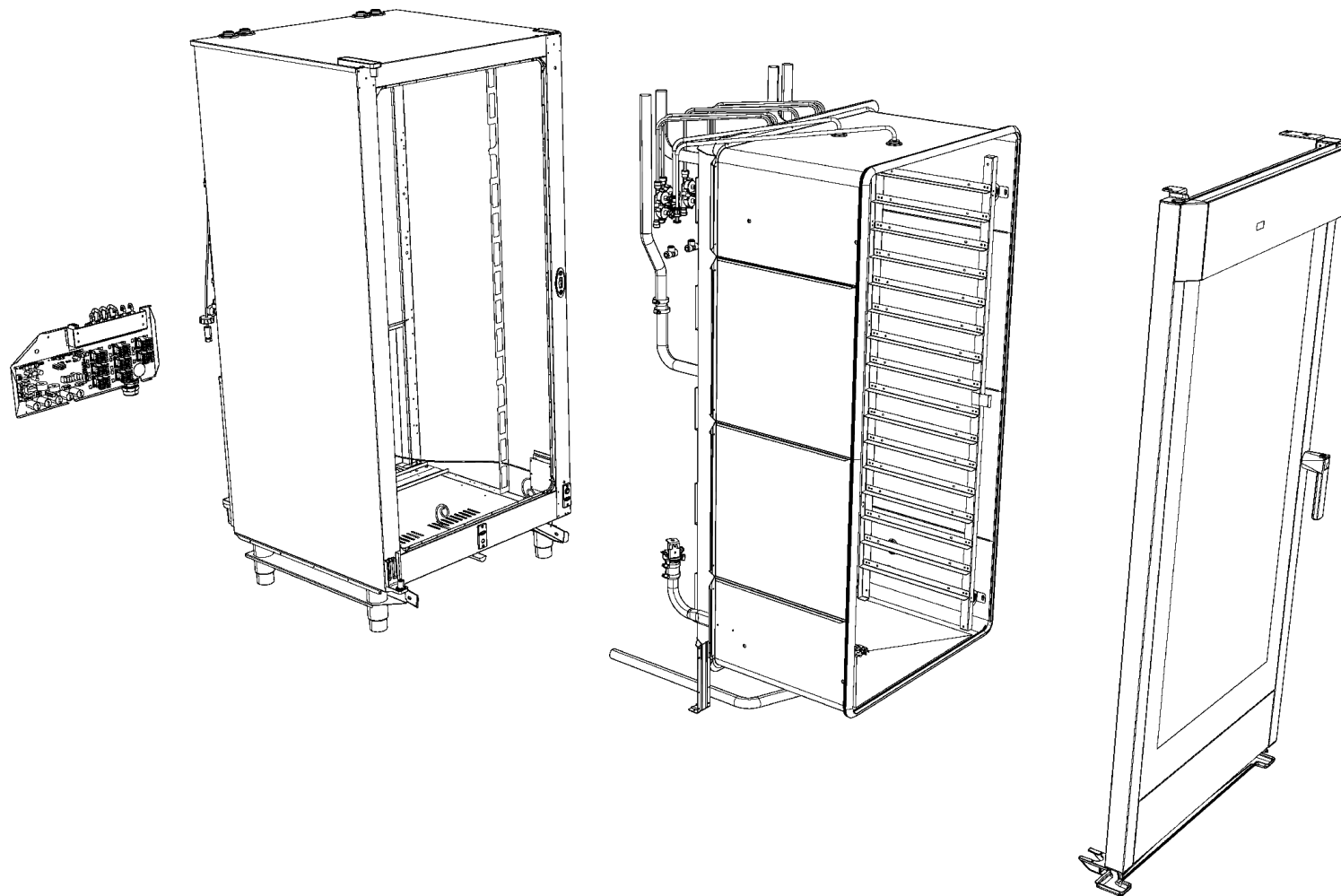
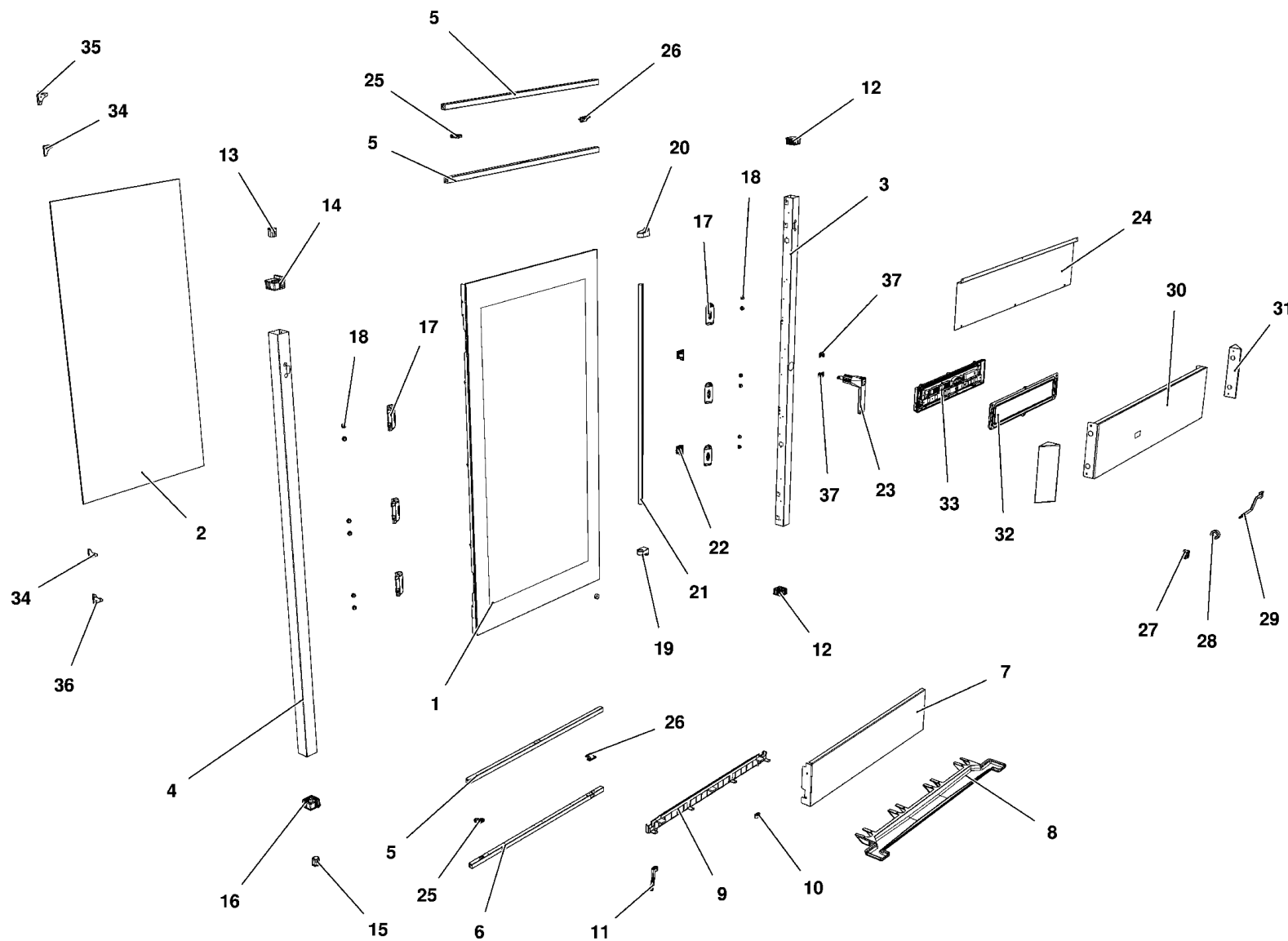


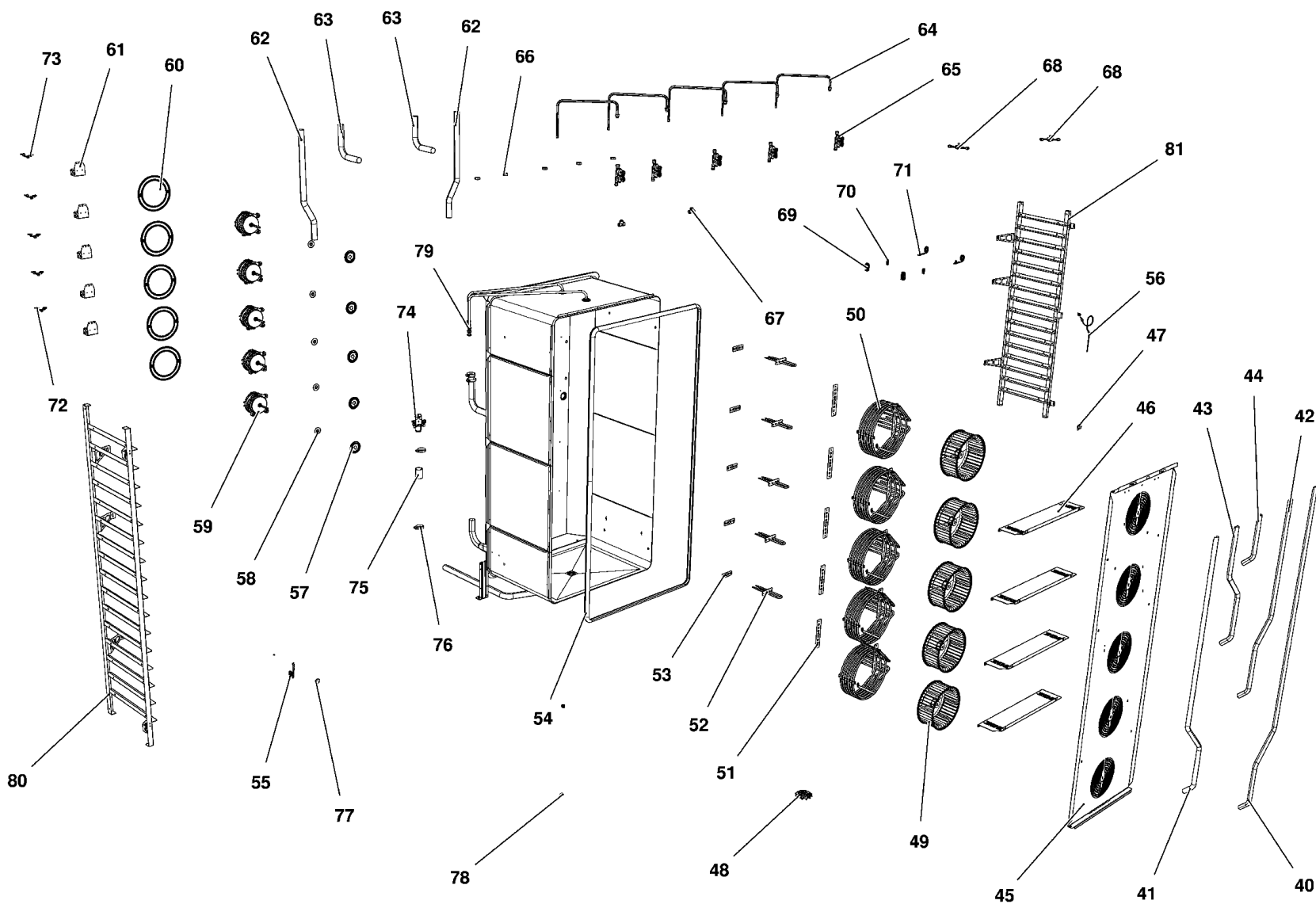
MOD:XBC905E



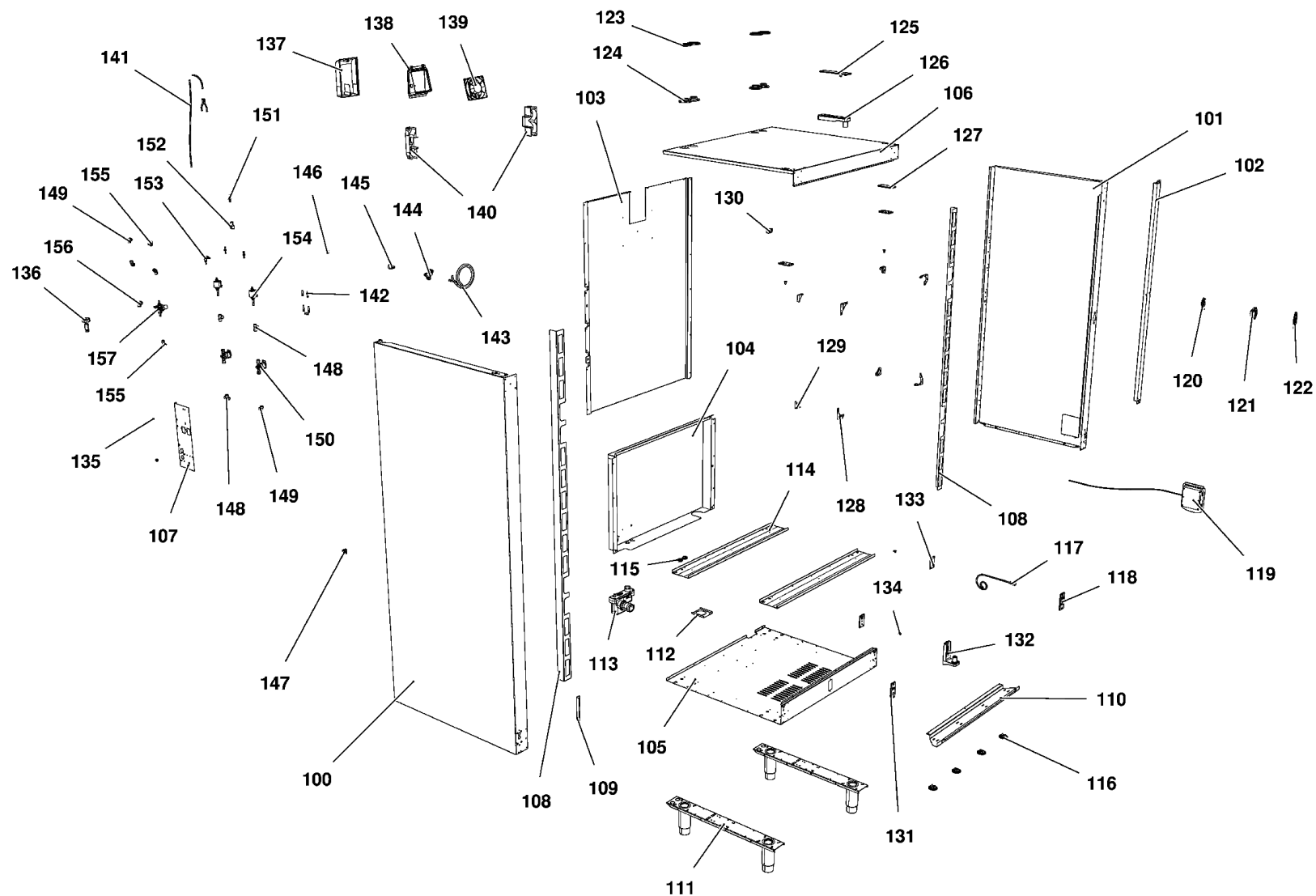
MOD:XBC905E



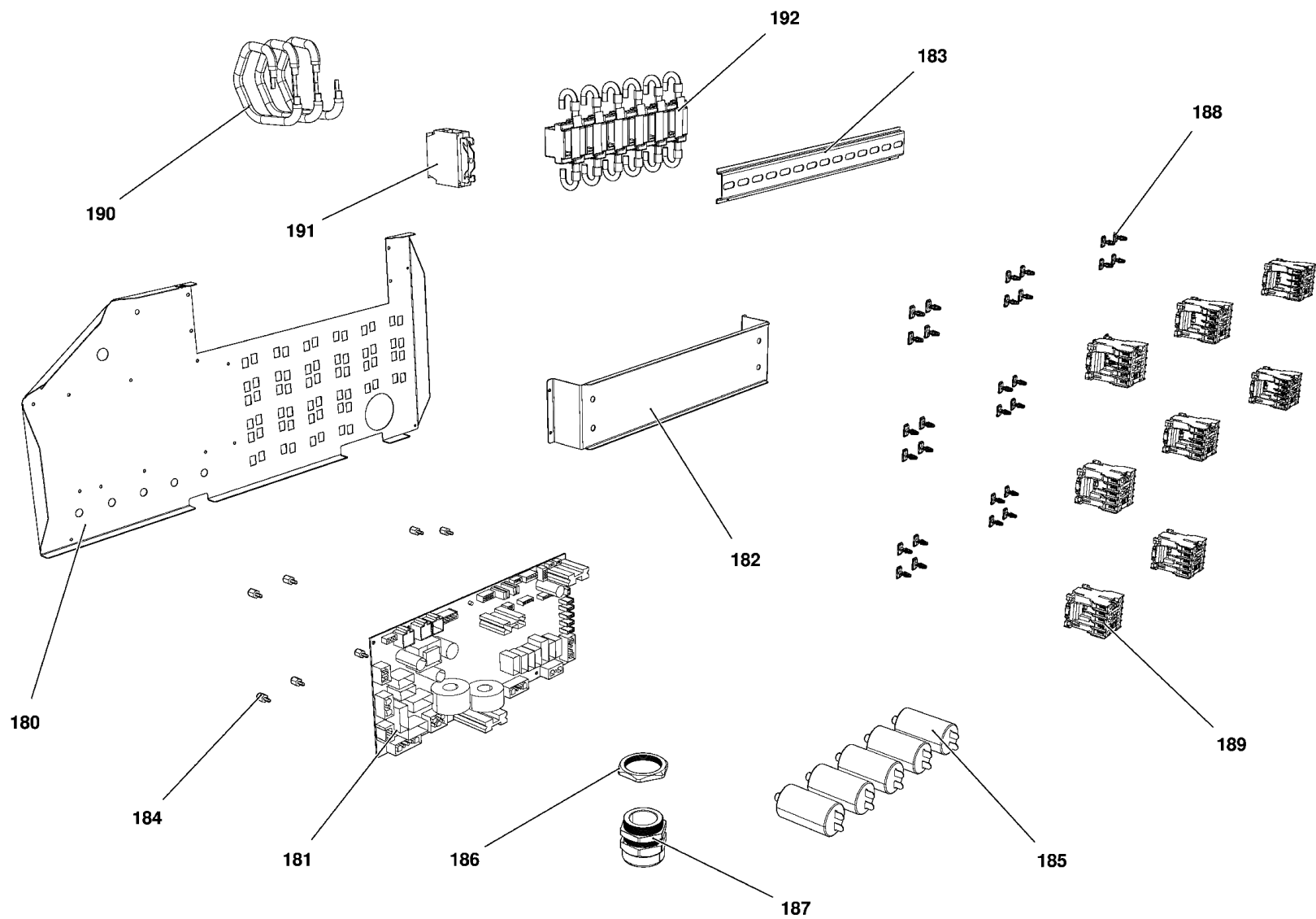
MOD:XBC905E



MOD:XBC905E



MOD:XBC905E



MOD:XBC905E



IT

Descrizione codici

1	VT1161A	VETRO ESTERNO SER. 757X1467X5
2	VT1205A	VETRO INTERNO FORNO 905
3	TB2339A	COLONNA PORTA DX SERIE 900E 50X50
4	TB2340A	COLONNA PORTA SX SERIE 900E 50X50
5	TB1361A	LISTELLO SUP. BT S.5E 20X20X1
6	TB1362A	LISTELLO INF. BT S.5E 20X20X1
7	OH3186A	PROFILO INFERIORE PORTA INOX SERI
8	VM1992A	CASSETTO RACCOGLI GOCCE 860
9	VM1617A	PROFILO SALVAGOCOCIA 400/600/800
10	VM2044A	TAPPO PER PROFILO RACCOGLI GOCCE
11	VM2014A	TUBO PER PROFILO RACCOGLI GOCCE S
12	VM1175A	TAPPO ESTETICO COLONNINA PORTA
13	VM1511A	BOCCOLA LISCIA PERNO PORTA CHEFFT
14	VM1170B	TAPPO FULCRO SUP. PORTA XVC204/30
15	VM1510A	BOCCOLA SCANALATA PERNO PORTA XBC
16	VM1171B	TAPPO FULCRO INF. PORTA XVC204/30
17	VM1591A	STAFFA SPINGIVETRO INTERNO XVC100
18	VM1630A	TAPPO PREMI VETRO INTERNO
19	VM1621A	SUPPORTO SUP BARRA LED
20	VM1620A	SUPPORTO INF BARRA LED
21	LP1004B	BARRA ILLUMINAZIONE LED L1000
22	VM2042A	ASSIEME CHIUSURA VETRO INTERNO LA
23	VM1180A	IMPUGNATURA MANIGLIA XVC204/304/5
24	OH4450A	LAMIERA CHIUSURA POST. CRUSCOTTO
25	VM1680A	CERNIERA APERTURA VETRO INTERNO
26	VM2043A	SUPPORTO VETRO SUP - INF
27	CE1290A	MORSETTO FEMMINA ESTRAIBILE CPF 5
28	CE1285A	FERRITE EMI ROUND MOD. 2643801502
29	CE1310A	CAVO COLLEGAMENTO POTENZA CONTROL
30	VT1170B	VETRO CRUSCOTTO SER. 757X170X4 XV
31	TB1565B	COLONNA PER CONTROLLO 1004

32	VM1145A	CORNICE CRUSCOTTO C.T.
33	PE1740A	ASSIEME SCHEDA CONTROLLO PE1705
34	GN1181A	GUARNIZIONE CERN VETRO INT CR1085
35	CR1085A	CERNIERA VETRO INT INOX SUP
36	CR1086A	CERNIERA VETRO INT INOX INF
37	VM1490A	COPRI VITI MANIGLIA CHEFTOP BAKER
40	TB2334A	TUBO INT. UMIDITA' DX Ø16X1
41	TB2333A	TUBO INT. UMIDITA' DX Ø16X1
42	TB2332A	TUBO INT. UMIDITA' DX Ø16X1
43	TB2331A	TUBO INT. UMIDITA' SX Ø16X1
44	TB2330A	TUBO INTERNO UMIDITA' CENT. Ø16X1
45	OG1495A	CARTER ARIA SERIE 1005E
46	OG1396A	DISTANZIALE CARTER ARIA
47	OH6345A	PIASTRINA FORATA SUPP SONDA AL CU
48	OH2551A	TAPPO PER TUBO DI SCARICO LIQUIDI
49	VN1030A	VENTOLA D196 H81 39 PALE DADO M8
50	RS1205A	RESISTENZA 6 SPIRE 2+2+1,6 KW 230
51	GN1085A	GUARNIZIONE PTFE+CARB 145X28X1
52	RS1215A	RESISTENZA 1 SPIRA 147 W 105 V
53	GN1326A	GUARNIZIONE RES. 70X22X0,8
54	GN1392B	GN1000B-GUARNIZIONE PORTA XVC1005
55	PE1710A	SENSORE NUMERO GIRI MOTORE
56	SN1002A	SONDA AL CUORE MULTIPUNTO L=2050
57	OH4305A	DISCO TENUTA ALBERO MOTORE INOX S
58	GN1140A	GUARNIZIONE PORTAMOTORE STAMP.
59	VN1130A	MOTORE FORNO 330W 230V 50/60HZ
60	OH3586A	LAMIERA PROTEZIONE MOTORE ZINCATO
61	OH4851A	STAFFA SUPPORTO CABLAGGI STD
62	TB1873A	TUBO CONVOGLIATORE FUMI SERIE 100
63	TB1913A	CAMINO FUMI INOX SERIE 1000-1200-
64	TB1515A	TUBO EST. UMIDITA' + RC1165A0

65	EL1361A	ELETTRIVALVOLA TRI-STADIO JG D8-D
66	RC1170A	DADO M14 H=8 CH=22 INOX
67	EL1020A	RACCORDO INTERMEDIO "T" TUBO Ø8
68	VM1955A	CORPO GIRANTE LAVAGGIO
69	VM1465A	COPERCHIO SONDA TEMPERATURA CHEFT
70	GN1285A	GUARNIZIONE SONDA DI TEMPERATURA
71	TR1106A	SONDA TEMPERATURA PT100 L=2000
72	VM1610A	CLIP TWIST LOCK DIAM. 7,6-10,2 MM
73	RC1310A	FASCETTA RICHCO 140X4 CON CLIP
74	VE1135A	ATTUATORE VENTURI 220V 50/60 HZ S
75	TB1956A	TB1520A-TUBO NERO EPDM L=50
76	RC1055A	FASCETTA STRINGI TUBO D25-40 H12
77	VM1635A	DISCO SUPPORTO MAGNETE
78	VM1820A	NOTTOLINO M6 CROMATO FISS. SUPPOR
79	EL1055A	RIDUZIONE INTERMEDIA D10-D8
80	GRL1236A	SUPPORTO LAT. SX 16 600X400 SERIE
81	GRL1235A	SUPPORTO LAT. DX 16 600X400 SERIE
100	OD2182A	FIANCO SX XVC1005/4005
101	OD2183A	FIANCO DX XVC1005/4005
102	OH3280A	LAMIERA REGGI SCROCCO INOX XVC100
103	OF1453A	SCHIENA SUPERIORE SERIE 1005E-400
104	OF1454A	SCHIENA INFERIORE SERIE 1005E-400
105	OE1319A	FONDO EST SERIE 905E-1005E
106	OD2184A	COPERCHIO INOX SERIE 905E-1005E
107	OH6441A	SUPPORTO IMPIANTO IDRICO DOPPIO V
108	OH3750A	LAMIERA INOX RINFORZO FIANCO XVC1
109	OH3710A	PARATIA PROTEGGI STAFFA INOX
110	OH1001A	PORTA CASSETTO SERIE 905-915
111	PD1020A	LONGHERONE PIEDINI 2" REG H147-19
112	OH6420A	LAMIERA SUPPORTO PRESSACAVO
113	VL1005A	VASCA SIFONE

114	OH3290A	TRAVERSO RINFORZO FONDO INOX XVC1
115	VM1505A	PASSAPARETE CON DIAFRAMMA
116	VM1220A	CLIP FISSAGGIO CASSETTO RACCOGLI
117	VE1020A	MICROINTERRUTTORE PORTA MAGNETICO
118	VM1201A	PIASTRINA SUPPORTO MICROPORTA MAG
119	PE1971A	ASSIEME RIARMO RJ45
120	VM1192A	COPERCHIO SCROCCO MANIGLIA CT BT
121	VM1190A	SCROCCO MANIGLIA DX CT BT
122	VM1455A	COPERCHIO PER SCROCCO FORNO XVC-X
123	OH3790A	LAMIERA TENUTA CAMINO
124	GN1275A	GUARNIZIONE CAMINO SILICONE NERO
125	VM1166A	COPERCHIO STAFFA SUPERIORE PORTA
126	VM1165B	STAFFA SUPERIORE PORTA CT BT
127	VM1195A	PIASTRINA COPRIFORI XVC204/304/50
128	OH1450A	ANGOLO FACCIATA MUFFOLA INOX XB-X
129	VM1008A	ANGOLARE INT. SUPPORTO GUARNIZION
130	VM1810A	TAPPO TENUTA ACQUA DX
131	VM1200A	PIASTRINA SUPPORTO MICROPORTA MEC
132	VM1160B	STAFFA INFERIORE PORTA CT BT
133	OH2560A	CONTROSTAFFA ZINCATA PORTA C.T.
134	VM1240A	TAPPO NYLON SUPPORTO CONTROSTAFFA
135	VM1630A	TAPPO PREMI VETRO INTERNO
136	VL1041A	TAPPO DETERGENTE
137	VM1556A	PROTEZIONE VENTOLA RAFFREDDAMENTO
138	VM1555A	SUPPORTO VENTOLA RAFFREDDAMENTO C
139	VN1120B	VENTOLA RAFFREDDAMENTO 12V
140	VM1924A	PROTEZIONE PER COVER VENTOLA
141	TB2302A	TUBO DETERGENTE LAVAGGIO DOPPIO
142	TB2303A	TUBO H2O LAVAGGIO DOPPIO
143	TB2237A	TUBO Ø10 ALLACCIAMENTO RETE
144	VL1034A	FILTRO ACQUA Ø10 MESH100

145	RC1365A	RACCORDO JG FEMMINA 3/4"-10
146	GN1200A	GUARNIZIONE D=24 RACCORDO 3/4 GOM
147	VM1750A	MORSETTIERA A PETTINE
148	EL1020A	RACCORDO INTERMEDIO "T" TUBO Ø8
149	EL1185B	RACCORDO GOMITO D8F-D8F
150	EL1411A	ELETTRIVALVOLA H2O CON CHECK VALV
151	VL1043A	PORTAGOMMA D4-CODOLO D6
152	RC1376A	RACCORDO Y Ø6
153	RC1373A	RACCORDO GOMITO Ø6F-Ø6F
154	VL1038A	POMPA VIBRAZIONE
155	EL1195B	RACCORDO GOMITO D8F-D8M
156	RC1360A	RACCORDO GOMITO JG 10-10
157	VL1042A	RIDUTTORE PRESSIONE CON DISTRIBUT
180	OH6450A	PROFILO PORTA COMPONENTI CT S.5E
181	PE1725D	SCHEDA POTENZA FORNI CT-BT S5.E
182	OH6421A	LAMIERA SUPPORTO MORSETTIERA
183	OH1852A	BARRA OMEGA PORTA 6 TELERUTTORI P
184	VM1745A	SUPPORTO PER SCHEDA
186	VE1350A	DADO PER PRESSACAVO PG42
187	VE1345A	PRESSACAVO IP67 PG42
188	VM1075A	CLIP DI FISSAGGIO PER TELERUTTORI
189	VE1115A	MINICONTATTORE QUADRIPOLE 20 A
190	CE1770A	CAVO UNIPOLARE 16 MMQ L=280 TERMI
191	MR1011A	MORSETTO DI TERRA UL 125A PER BAR
192	CE1420A	MORSETTIERA UNIPOLARE 8 VIE Z16-8

MOD:XBC905E



EN

Codes descriptions

1	VT1161A	SER. EXTERNAL GLASS 757X1467X5
2	VT1205A	INNER OVEN GLASS 905
3	TB2339A	RIGHT DOOR COLUMN SERIE 900 E 50X
4	TB2340A	LEFT DOOR COLUMN SERIE 900 E 50X5
5	TB1361A	S. E BAKERTOP DOOR UPPER LISTEL
6	TB1362A	S. E BAKERTOP DOOR LOWER LISTEL
7	OH3186A	LOWER DOOR PROFILE S.S. SERIES 90
8	VM1992A	DRIP TRAY
9	VM1617A	400/600/800 DRIP PROFILE
10	VM2044A	DRIP PROFILE CAP
11	VM2014A	LEFT DRIP PROFILE PIPE
12	VM1175A	DOOR COLUMN BLANKING CAP XVC204/3
13	VM1511A	XBC/XVC SLEEK DOOR PIN BUSHING
14	VM1170B	DOOR UPPER FULCRUM-CAP XVC204/304
15	VM1510A	XBC/XVC GROOVED DOOR PIN BUSHING
16	VM1171B	XVC204/304/504/70 DOOR LOWER FULC
17	VM1591A	GLASS BRACKET INT. XVC1004
18	VM1630A	INTERNAL GLASS PUSHING CAP
19	VM1621A	LED BAR UPPER SUPPORT
20	VM1620A	LED BAR LOWER SUPPORT
21	LP1004B	LEB LIGHTING BAR L1000
22	VM2042A	INTERNAL LATERAL GLASS LOCKING SY
23	VM1180A	HANDLE HAFT XVC204/304/504/704
24	OH4450A	CLOSING PLATE BACK COVER
25	VM1680A	INTERNAL GLASS HINGE
26	VM2043A	UPPER - LOWER GLASS SUPPORT
27	CE1290A	EXTRACTABLE FEMALE TERMINAL CPF 5
28	CE1285A	EMI ROUND FERRITE MOD.2643801502
29	CE1310A	POWER - CONTROL BOARD CONNECTING
30	VT1170B	INSTRUMENT PANEL GLASS 757X170X4
31	TB1565B	TERMINAL CONTROL PANEL

32	VM1145A	C.T. BOARD FRAME
33	PE1740A	CONTROL BOARD PE1705 + BOARD COVE
34	GN1181A	CR1085-1086 INTERNAL GLASS HINGE
35	CR1085A	INTERNAL GLASS UPPER HINGE
36	CR1086A	INTERNAL GLASS LOWER HINGE
37	VM1490A	CHEFTOP/BAKERTOP HANDLE SCREWS CO
40	TB2334A	INTERNAL RIGHT WATER PIPE Ø16X1
41	TB2333A	INTERNAL RIGHT WATER PIPE Ø16X1
42	TB2332A	INTERNAL RIGHT WATER PIPE Ø16X1
43	TB2331A	INTERNAL LEFT WATER PIPE Ø16X1
44	TB2330A	INTERNAL CENTRAL WATER PIPE Ø16X1
45	OG1495A	1005E SERIES FAN GUARD
46	OG1396A	B.T. C.T. FAN GUARD SPACER
47	OH6345A	CORE PROBE SUPPORT PERFORATED PLA
48	OH2551A	XBC/XVC ST.STEEL DRAIN COVER
49	VN1030A	MOTOR FAN D196 H81 39 BLADE NUT M
50	RS1205A	6 TURNS 2+2+1,6 KW 230 V HEATING
51	GN1085A	PTFE+CARB SEALING 145X28X1
52	RS1215A	147 W 105 V 1 TURN HEATING ELEMEN
53	GN1326A	ELEMENT SEALING 70X22X0.8
54	GN1392B	XVC1005-4005 DOOR GASKET GN1000B
55	PE1710A	MOTOR REVOLUTIONS SENSOR
56	SN1002A	CORE PROBE MULTIPOINT L=2050
57	OH4305A	ST. STEEL MOTOR SHAFT SEALING DIS
58	GN1140A	MOLDED MOTOR SUPPORT GASKET
59	VN1130A	330W 230V 50/60HZ MOTOR
60	OH3586A	ZINCATE MOTOR GUARD PLATE XBC-XVC
61	OH4851A	BRACKET SUPPORT WIRING HARNESS ST
62	TB1873A	CONVEYOR FUME TUBE SERIES 1005 Ø3
63	TB1913A	1000/1200/2000/4000 S. EXHAUST CH
64	TB1515A	EXTERNAL WATER PIPE + RC1165A0

65	EL1361A	J.G. THREE-STAGE SOLENOID VALVE D
66	RC1170A	STAINLESS STEEL NUT M14 H=8 CH=22
67	EL1020A	INTERMEDIATE "T" CONNECTION Ø8
68	VM1955A	WASHING SYSTEM ROTOR
69	VM1465A	CHEFTOP TEMPERATURE PROBE COVER
70	GN1285A	NTC TEMPERATURE PROBE SEALING
71	TR1106A	CORE PROBE PT100 L=2000
72	VM1610A	CLIP TWIST LOCK DIAM. 7,6-10,2 MM
73	RC1310A	140X4 CLAMP WITH CLIP
74	VE1135A	VENTURI ACTUATOR 220 V 50/60 HZ S
75	TB1956A	TB1520A - EPDM BLACK PIPE L=50
76	RC1055A	STAINLESS STEEL CLIP TO TIGHT
77	VM1635A	MAGNET HOLDING DISC
78	VM1820A	LATERAL SUPPORTS M6 FIXING BOLTS
79	EL1055A	INTERMEDIATE REDUCTION FROM D=10
80	GRL1236A	905-915 SERIES LEFT LAT.SUPPORT 1
81	GRL1235A	905-915 RIGHT LAT.SUPPORT 16 60X4
100	OD2182A	XVC1005/4005 LEFT SIDE EXTERNAL P
101	OD2183A	XVC1005/4005 RIGHT SIDE EXTERNAL
102	OH3280A	STAINLESS STEEL SPRING LATCH HOLD
103	OF1453A	1005E-4005E SERIES BACK UPPER EXT
104	OF1454A	1005E-4005E SERIES BACK LOWER PLA
105	OE1319A	905E-1005E EXTERNAL BOTTOM PANEL
106	OD2184A	905E-1005E SERIES COVER
107	OH6441A	DOUBLE VERTICAL WATER SUPPLY SUPP
108	OH3750A	INOX PLATE REINFORCEMENT SIDE XVC
109	OH3710A	STAINLESS STEEL BULKHEAD GUARD BR
110	OH1001A	TRAY HOLDER SERIE 905-915
111	PD1020A	BRACKET FOR 2" ADJUSTABLE FEET H
112	OH6420A	STAINLESS STEEL SIDE CABLE PRESS
113	VL1005A	U-TRAP TANK

114	OH3290A	TRAVERS REINFORCMENT BOTTOM XVC10
115	VM1505A	WALL PASSING WITH DIAPHRAGM
116	VM1220A	CLIP TO FIX DRIP TRAY C.T.
117	VE1020A	MAGNETIC DOOR MICROSWITCH
118	VM1201A	MAGNETIC SUPPORT PLATE FOR DOOR M
119	PE1971A	RI45 CONNECTION + RESET POINT
120	VM1192A	CT BT RIGHT DOOR SPRING LATCH COV
121	VM1190A	CT BT RIGHT DOOR SPRING LATCH
122	VM1455A	SPRING LATCH COVER XVC-XBC1004
123	OH3790A	CHIMNEY HOLDING PLATE
124	GN1275A	BLACK SILICON XBC/XVC CHIMNEY SEA
125	VM1166A	CAP FOR DOOR UPPER STIRRUP XVC204
126	VM1165B	CT BT DOOR UPPER BRACHET
127	VM1195A	HOLES BLANKING PLATE XVC204/304/5
128	OH1450A	XB-XV-XG ST. STEEL MUFFLE FRONT C
129	VM1008A	GASKET SUPPORT INTERNAL CORNER
130	VM1810A	WATER RIGHT CAP SEAL
131	VM1200A	DOOR MECHANIC MICROSWITCH SUPPORT
132	VM1160B	CT BT DOOR LOWER BRACKET
133	OH2560A	XBC/XVC ZINC PLAT. DOOR COUNTERBR
134	VM1240A	NYLON SUPPORT CAP
135	VM1630A	INTERNAL GLASS PUSHING CAP
136	VL1041A	DETERGENT CAP
137	VM1556A	XBC-XVC COOLING FAN GUARD
138	VM1555A	CT BT COOLING DOWN FAN SUPPORT
139	VN1120B	12V COOLING DOWN FAN
140	VM1924A	FAN COVER GUARD
141	TB2302A	DOUBLE WASHING SYSTEM DETERGENT P
142	TB2303A	H2O PIPE DOUBLE WASHING SYSTEM
143	TB2237A	Ø10 WATER MAIN CONNECTION PIPE
144	VL1034A	Ø10 MESH100 WATER FILTER

145	RC1365A	3/4"-10 JG FEMALE CONNECTION
146	GN1200A	3/4 CONNECTION SEAL D=24 RUBBER+N
147	VM1750A	TERMINAL BOARD
148	EL1020A	INTERMEDIATE "T" CONNECTION Ø8
149	EL1185B	D8F-D8F ELBOW FITTING
150	EL1411A	SOLENOID VALVE WITH CHECK VALVE
151	VL1043A	D4 PIPE HOLDER - D6 J.G. TERMINAL
152	RC1376A	Ø6 Y-FITTING
153	RC1373A	Ø6F-Ø6F ELBOW FITTING
154	VL1038A	VIBRATION PUMP
155	EL1195B	D8F-D8M ELBOW CONNECTION
156	RC1360A	10 - 10 JG ELBOW FITTING
157	VL1042A	PRESSURE REDUCER WITH DISTRIBUTOR
180	OH6450A	E SERIES COMPONENTS HOLDER PROFIL
181	PE1725D	E SERIES CHEFTOP-BAKERTOP POWER C
182	OH6421A	PLATE TERMINAL BOARD SUPPORT
183	OH1852A	OMEGA BAR 6 CONTACTORS HOLDER PRO
184	VM1745A	BOARD SUPPORT
186	VE1350A	NUT FOR CABLE CLIP
187	VE1345A	IP67 PG42 CABLE CLIP
188	VM1075A	PLASTIC CLIP TO FIX CONTACTORS
189	VE1115A	MINI CONTACTOR WITH 4 POLES 20 A 2
190	CE1770A	UNIPOLAR CABLE 16 MMQ L=280
191	MR1011A	UL 125A GROUND TERMINAL
192	CE1420A	8 WAYS UNIPOLAR TERMINAL BOARD Z1