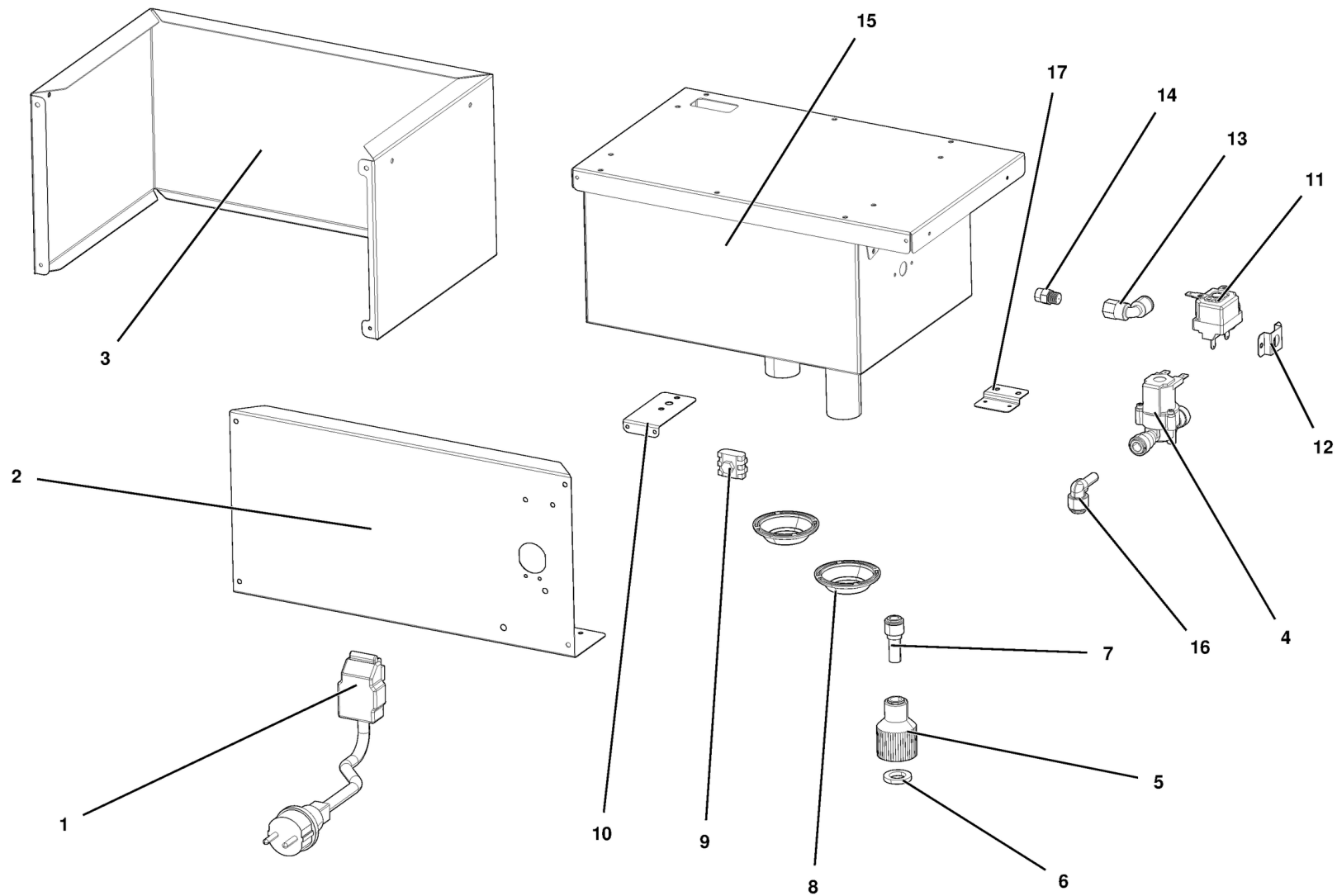


MOD:XC114



MOD:XC114



IT

Descrizione codici

| | | |
|----|---------|--|
| 1 | MR1000A | CAVO 3X1,5 H07RN-F MT1,5+K2/3+SCHUKO |
| 2 | OD1565B | PROFILO PORTACOMPONENTI XC114 |
| 3 | OH2945A | COPERTURA ESTERNA XC114 |
| 4 | EL1411A | ELETTROVALVOLA H2O CON CHECK VALVE |
| 5 | RC1365A | RACCORDO JG FEMMINA 3/4"-10 |
| 6 | GN1200A | GUARNIZIONE D=24 RACCORDO 3/4 GOMMA |
| 7 | RC1002A | RACCORDO RIDUZIONE CODOLO 10M-8F |
| 8 | VM2085A | ANELLO COVER SILICONE CAPPE |
| 9 | VM1750A | MORSETTIERA A PETTINE |
| 10 | OH3075A | STAFFA INOX TERMOSTATO XC114 |
| 11 | TR1070A | TERMOSTATO 50°C CONTATTO A SCAMBIO |
| 12 | OH2425C | STAFFETTA SUPPORTO UGELLO |
| 13 | RC1286A | RACCORDO A GOMITO CON CODOLO D=8-D=1/8GA |
| 14 | BR1205B | UGELLO CONDENSATORE CORPO UNICO |
| 15 | OH2935B | SCATOLA CONDENSATORE XC114 |
| 16 | EL1195B | RACCORDO GOMITO D8F-D8M |
| 17 | OH6913A | STAFFA FISSAGGIO ELETTROVALV XC114 |

EN

Codes descriptions

| | | |
|----|---------|--|
| 1 | MR1000A | CABLE 3X1,5 H07RN-F MT1,5+K2/3+SCHUKO |
| 2 | OD1565B | XC114 ELECTRONIC COMPONENTS HOLDER |
| 3 | OH2945A | XC114 EXTERNAL COVER |
| 4 | EL1411A | SOLENOID VALVE WITH CHECK VALVE |
| 5 | RC1365A | 3/4"-10 JG FEMALE CONNECTION |
| 6 | GN1200A | 3/4 CONNECTION SEAL D=24 RUBBER+NET |
| 7 | RC1002A | 10M-8F J.G. TERMINAL REDUCTION FITTING |
| 8 | VM2085A | HOOD COVER SILICON RING |
| 9 | VM1750A | TERMINAL BOARD |
| 10 | OH3075A | XC114 THERMOSTAT BRACKET |
| 11 | TR1070A | 50°C THERMOSTAT |
| 12 | OH2425C | NOZZLE HOLDING BRACKET |
| 13 | RC1286A | D=8-D=1/8GA ELBOW FITTING+ J.G. TERMINAL |
| 14 | BR1205B | HOOD CONDENSER SOLE SHAPE NOZZLE |
| 15 | OH2935B | HOOD CONDENSER BOX |
| 16 | EL1195B | D8F-D8M ELBOW CONNECTION |
| 17 | OH6913A | XC114 SOLENOID VALVE FIXING BRACKET |