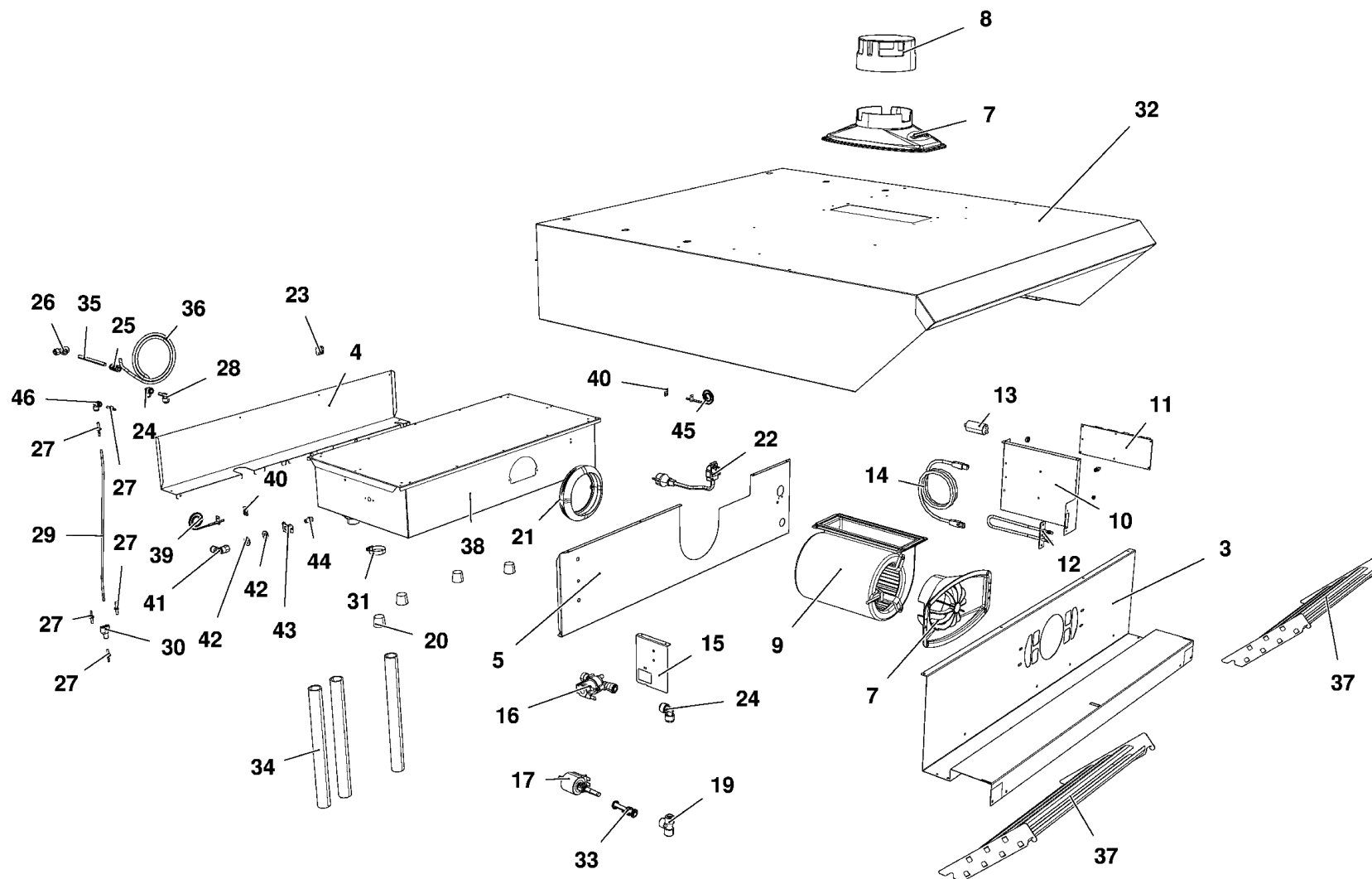


MOD:XC418



MOD:XC418



IT

Descrizione codici

3	OD1665B	PROFILO ANT. FISS. FORNO XC415\XC418
4	OD2159A	PROFILO PORTA COMPONENTI XC418
5	OH6444A	DIVISORIO CAPPA XC418
7	VM1825A	CONVOGLIATORE FUMI CAPPE
8	VM1826A	TAPPO CONVOGLIATORE FUMI CAPPE
9	VN1055A	MOTORE CAPPA 200W 230V 50/60 HZ
10	OH6448A	LAMIERA PORTA SCHEDA CAPPA
11	PE1956C	SCHEDA POTENZA CAPPA RESINATA
12	RS1100A	RESISTENZA C.D.T. 90W 110V
13	CN1001A	CONDENSATORE 3,15UF 450V ICAR
14	CE1635A	CAVO RJ45 - RJ45 L=3MT
15	OH6449A	LAMIERA IMPIANTO IDRICO CAPPA SERIE SE
16	EL1411A	ELETTROVALVOLA H2O CON CHECK VALVE
17	VL1038A	POMPA VIBRAZIONE
19	EL1020A	RACCORDO INTERMEDIO "T" TUBO ø8
20	VM1120A	TRONCHETTO CONICO NERO PER CHIUSURA
21	VM1943A	ANELLO PORTA GUARNIZIONE MOTORE CAPPA
22	MR1000A	CAVO 3X1,5 H07RN-F MT1,5+K2/3+SCHUKO
23	VM1750A	MORSETTIERA A PETTINE
24	EL1185B	RACCORDO GOMITO D8F-D8F
25	EL1055A	RIDUZIONE INTERMEDIA D10-D8
26	RC1297A	RACCORDO A T ø10
27	VL1043A	PORTAGOMMA D4-CODOLO D6
28	EL1195B	RACCORDO GOMITO D8F-D8M
29	TB2313A	TUBO ALLACCIAMENTO CAPPA D6
30	RC1376A	RACCORDO Y ø6
31	RC1055A	FASCETTA STRINGI TUBO D25-40 H12 INOX
32	OD2158A	COPERCHIO CAPPA XC418
33	EL1180A	RACCORDO NON RITORNO ø8 ø8 FEMMINA
34	TB1520A	TUBO D.INT=30 SP=4 GOMMA EPDM NERO
35	TB2311A	TUBO ALLACCIAMENTO CAPPA D10

36	TB2312A	TUBO ALLACCIAMENTO CAPPA D8
37	OD1670A	ALETTE FILTRO INOX XC414
38	OH6446A	SCATOLA CONDENSATORE CAPPA CT SSE
39	TR1105A	SONDA TEMPERATURA PT100 L1000
40	GN1120A	GUARNIZIONE SONDA DI TEMPERATURA NTC
41	RC1286A	RACCORDO A GOMITO CON CODOLO D=8-D=1/8GA
42	VI1535A	RONDELLA 10,5x20x2 INOX A2UNI6592
43	OH2425C	STAFFETTA SUPPORTO UGELLO
44	UG1004A	UGELLO ACQUA 1/8" XC415-515-625
45	TR1106A	SONDA TEMPERATURA PT100 L2000
46	RC1373A	RACCORDO GOMITO ø6F-ø6F

MOD:XC418



EN

Codes descriptions

3	OD1665B	XC415\XC418 FRONT OVEN FIXING PROFILE
4	OD2159A	XC418 ELECTRIC COMPONENTS HOLDER
5	OH6444A	XC418 HOOD PARTITION
7	VM1825A	HOOD FUMES CONVEYOR
8	VM1826A	HOOD EXHAUST FUMES CONVEYOR CAP
9	VN1055A	HOOD MOTOR 200W 230 50/60 HZ
10	OH6448A	HOOD BOARD HOLDING PLATE
11	PE1956C	HOOD POWER CARD
12	RS1100A	C.D.T. HEATING ELEMENT 90W 110V
13	CN1001A	CONDENSER 3,15UF 450V ICAR
14	CE1635A	RJ45 - RJ45 CABLE L=3M
15	OH6449A	S. E HOOD WATER SYSTEM PLATE
16	EL1411A	SOLENOID VALVE WITH CHECK VALVE
17	VL1038A	VIBRATION PUMP
19	EL1020A	INTERMEDIATE "T" CONNECTION ø8
20	VM1120A	CONE-SHAPED CAP TO CLOSE PIPE ø30
21	VM1943A	HOOD MOTOR GASKET HOLDING RING
22	MR1000A	CABLE 3X1,5 H07RN-F MT1,5+K2/3+SCHUKO
23	VM1750A	TERMINAL BOARD
24	EL1185B	D8F-D8F ELBOW FITTING
25	EL1055A	INTERMEDIATE REDUCTION FROM D=10 TO D=8
26	RC1297A	ø10 T-FITTING
27	VL1043A	D4 PIPE HOLDER - D6 J.G. TERMINAL
28	EL1195B	D8F-D8M ELBOW CONNECTION
29	TB2313A	HOOD WATER CONNECTION PIPE D=6
30	RC1376A	ø6 Y-FITTING
31	RC1055A	STAINLESS STEEL CLIP TO TIGHT
32	OD2158A	XC418 STAINLESS STEEL COVER
33	EL1180A	ø8 ø8 FEMALE NON-RETURN CONNECTION
34	TB1520A	BLACK EPDM RUBBER PIPE D.int=38 TH=4
35	TB2311A	HOOD WATER CONNECTION PIPE D=10

36	TB2312A	HOOD WATER CONNECTION PIPE D=8
37	OD1670A	XC414/415 ST. STEEL FILTER BLADES
38	OH6446A	STEAM CONDENSER BOX
39	TR1105A	TEMPERATURE PROBE PT100 L1000
40	GN1120A	TEMPERATURE PROBE NTC SEAL
41	RC1286A	D=8-D=1/8GA ELBOW FITTING+ J.G. TERMINAL
42	VI1535A	ENG-RONDELLA 10,5x20x2 INOX A2UNI6592
43	OH2425C	STAINLESS SUPPORT BRACKET FOR NOZZLE
44	UG1004A	XC415-515-625 1/8" WATER NOZZLE
45	TR1106A	TEMPERATURE PROBE PT100 L=2000
46	RC1373A	ø6F-ø6F ELBOW FITTING