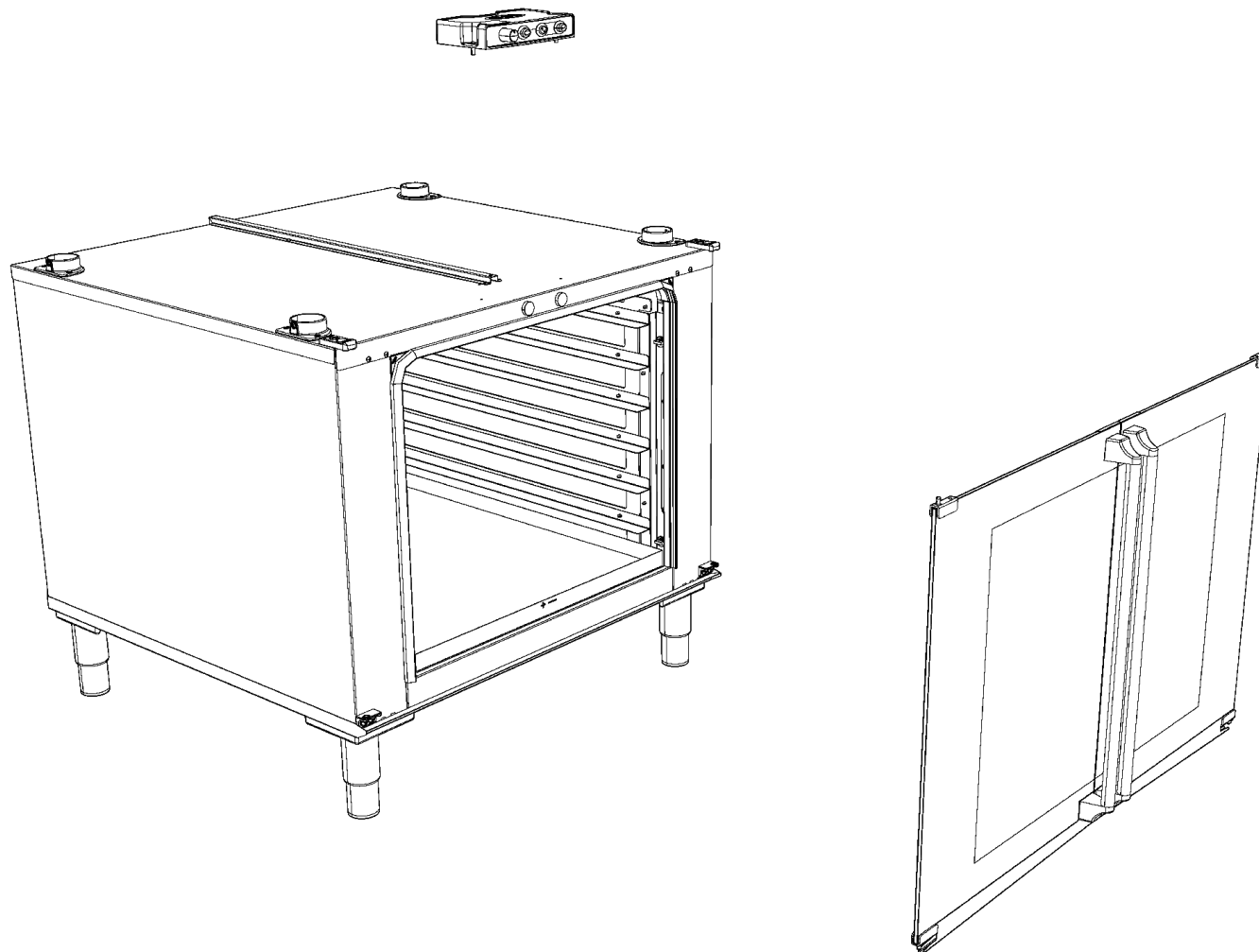
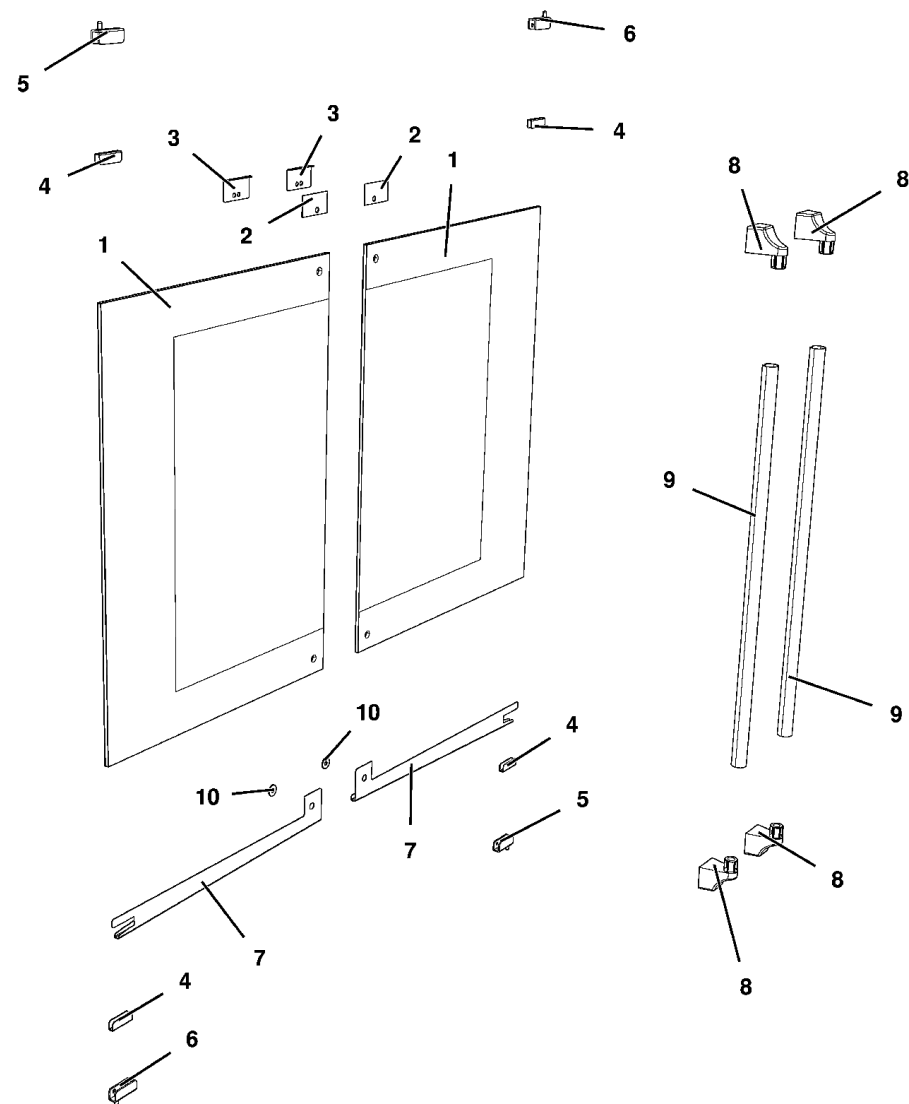


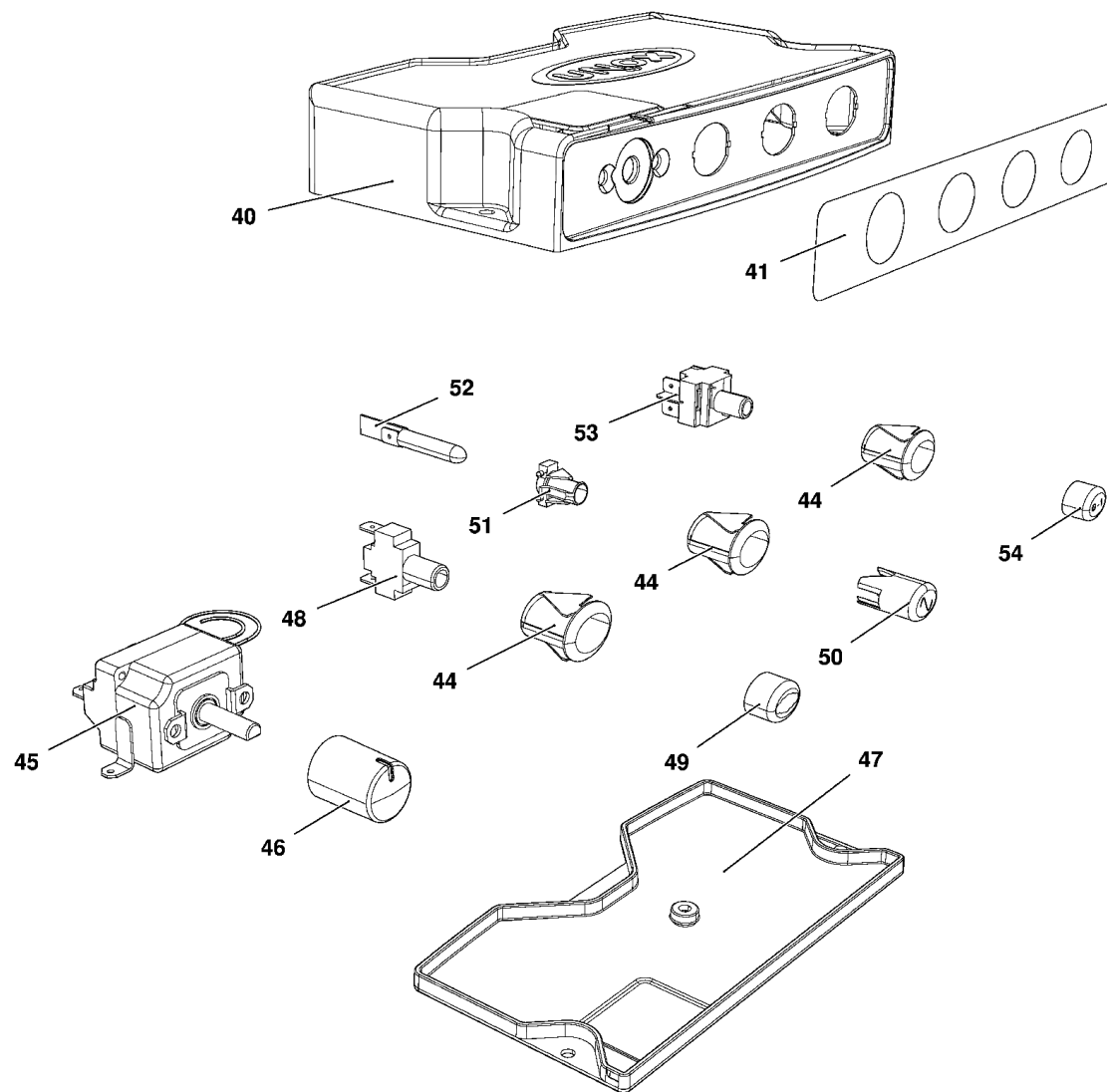
MOD:XL413



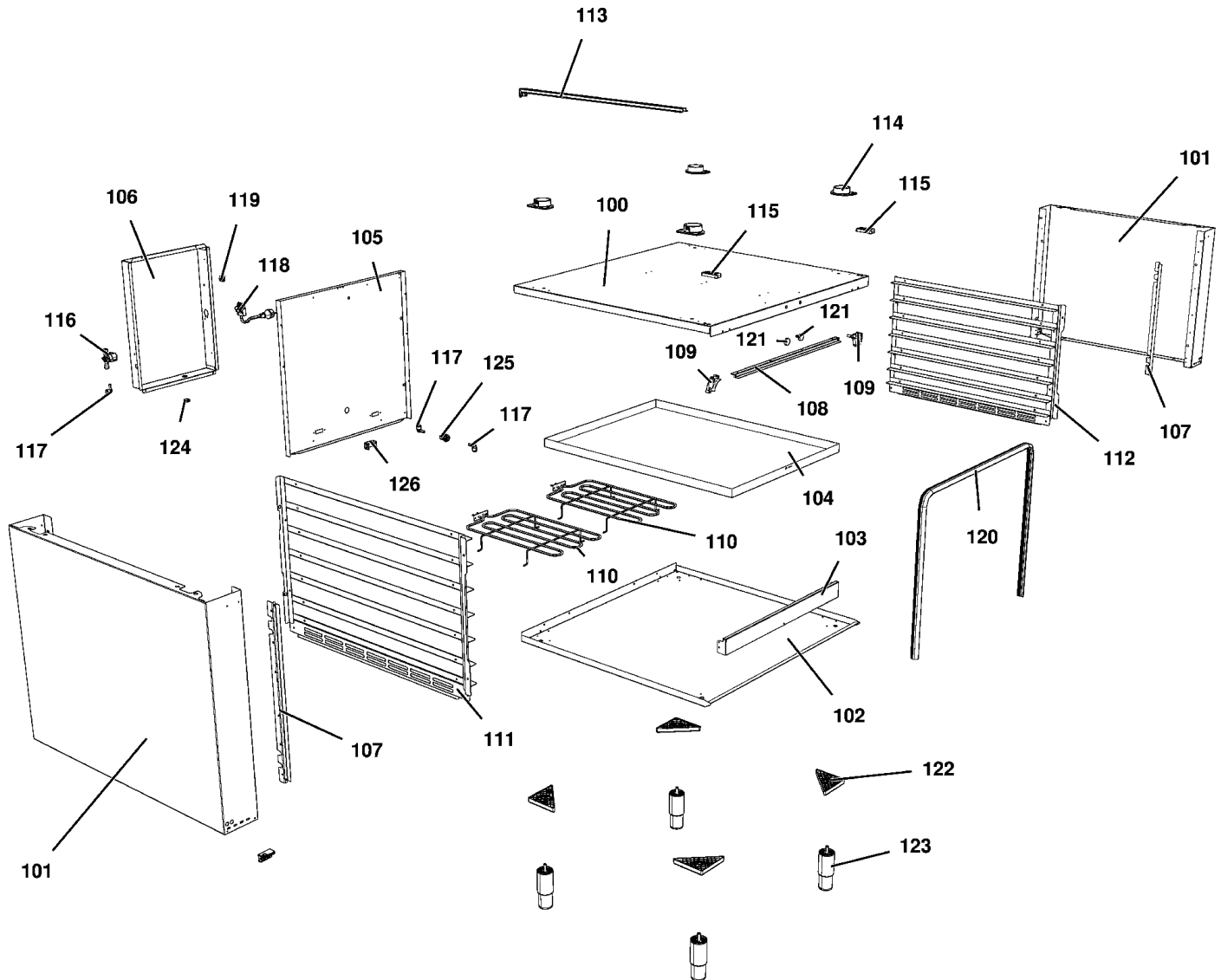
MOD:XL413



MOD:XL413



MOD:XL413



MOD:XL413



IT

Descrizione codici

1	VT1210A	VETRO PORTA XL405
2	GN1330A	GUARZIONE LAMIERINO FERRITICO XL405
3	OH4540A	LAMIERA PER CALAMITA PORTA XL 405
4	GN1320A	GUARNIZIONE CERNIERA VETRO PORTA
5	CR1081A	CERNIERA SX INOX XV-XL-XB
6	CR1080A	CERNIERA DX INOX XV-XL-XB
7	OH4535C	SGOCCIOLATOIO PORTA SX XL415
8	MG1015B	TERMINALE MANIGLIA L.MISS/L.MICRO/CHEFTO
9	TB1730A	TUBO MANIGLIA XL405 Ø18x1
10	VM1720A	RONDELLA PORTA XL405
40	VM1019A	CRUSCOTTO COMANDI LIEVITATORI MANUAL
41	MS1018A	MASCHERINA SERIGRAFATA LIEV. MANUALE
44	VM2009A	SUPPORTO ELLITTICO D16 ARGENTO
45	TR1132A	TERMOSTATO 2-72°C
46	MN1003A	MANOPOLA TERMOSTATO LIEVITATORE 0-70°C
47	VM1028A	VASSOIO CRUSCOTTO LIEVITATORE MANUAL
48	VE1562A	PULSANTE UNIPOLARE NA
49	VM1775A	TASTO ARGENTO OPACO NUVOLETTA ORO
50	VE1585A	GEMMA ELLITTICA AZZURRA SINUSOIDE ORO
51	VM1762A	SUPPORTO LAMPADA INTERNO
52	VE1535A	LED BIANCO 230V
53	VE1561A	PULSANTE BIPOLARE NA/NA
54	VM1776A	TASTO ARGENTO OPACO "0-1" ORO
100	OD2230A	COPERCHIO XL413
101	OD2140A	FIANCO XL415
102	OE1335A	FONDO LIEVITATORE BT BL
103	OH4625B	BARRIERA FRONTALE XL415 XL413
104	OH3745A	VASCA UMIDITA' INOX XL404
105	OF1470A	SCHIENA LIEVITATORE BT BL
106	OH6858B	PORTACOMPONENTI XL413
107	OH4635B	GUIDA GUARNIZIONE LAT. XL405-413-415

108	OH4640B	GUIDA GUARNIZIONE FRONT. XL405
109	VM1645A	ANGOLO GUARNIZIONE XL405
110	RS1095A	RESISTENZA PIANA 1200W 230V
111	GRL1333A	SUPPORTO LATERALE SX 6 TEGLIE XL415
112	GRL1334A	SUPPORTO LATERALE DX 6 TEGLIE XL415
113	OH6857A	COVER CABLAGGIO XL413
114	PD1063A	STAFFA BLOCCAGGIO PIEDE CT BT
115	VM1022A	STAFFA SUPERIORE PORTA LIEVITATORE
116	EL1252A	ELETTROVALVOLA H2O 1 VIA RID. VERDE
117	EL1195B	RACCORDO GOMITO D8F-D8M
118	MR1000A	CAVO 3X1,5 H07RN-F MT1,5+K2/3+SCHUKO
119	VM1750A	MORSETTIERA A PETTINE
120	GN1355A	GUARNIZIONE PORTA XL405
121	VE1607A	VENTOSA MAGNETICA GOMMATA D22 H6 M6X14.5
122	VM1281A	STAFFA TRIANGOLARE PIEDINO-RUOTA
123	PD1064A	PIEDE REGOLABILE D50 100-150mm ANTI-SVIT
124	VM1505A	PASSAPARETE CON DIAFRAMMA
125	EL1125A	PASSAPARETE Ø8
126	OH4820A	STAFFA SOSTEGNO BULBO
127	VM1023A	STAFFA INFERIORE DX PORTA LIEVITATORE
128	VM1024A	STAFFA INFERIORE SX PORTA LIEVITATORE

MOD:XL413



EN

Codes descriptions

1	VT1210A	XL405-413-415 DOOR GLASS
2	GN1330A	FERRITIC PLATE GASKET XL405
3	OH4540A	MAGNET DOOR PLATES XL405
4	GN1320A	DOOR GLASS HINGE GASKET
5	CR1081A	XV-XL-XB ST. STEEL LEFT HINGE
6	CR1080A	XV-XL-XB ST. STEEL RIGHT HINGE
7	OH4535C	XL415 LEFT DOOR DRIP PROFILE
8	MG1015B	L.MISS/L.MICRO/CHEFTOP HANDLE TERMINALS
9	TB1730A	XL405-413-415 HANDLE TUBE
10	VM1720A	DOOR WASHER XL405
40	VM1019A	MANUAL PROVER CONTROL BOARD
41	MS1018A	MANUAL PROVER CONTROL BOARD STICKER
44	VM2009A	ELLIPTICAL SILVER SUPPORT D16
45	TR1132A	THERMOSTAT KIT 2-72°C
46	MN1003A	PROVER THERMOSTAT 0-70°C KNOB
47	VM1028A	MANUAL PROVER CONTROL BOARD TRAY
48	VE1562A	UNIPOLAR NA PUSH BUTTON
49	VM1775A	OPAQUE SILVER KEY WITH GOLD "CLOUD"
50	VE1585A	BLUE LIGHT COVER GOLD SINUSOID
51	VM1762A	INNER LAMP SUPPORT
52	VE1535A	WHITE LED 230V
53	VE1561A	BIPOLAR SWITCH NA/NA
54	VM1776A	MATT SILVER KEY "0-1" GOLD
100	OD2230A	XL413 EXTERNAL UPPER COVER
101	OD2140A	XL413-415 EXTERNAL SIDE PANEL
102	OE1335A	CHEF-BAKERLUX PROVER EXT. BOTTOM PANEL
103	OH4625B	XL415 XL413 FRONT PROTECTING PANEL
104	OH3745A	XL404/405/413/415 ST. STEEL WATER BASIN
105	OF1470A	CHEF-BAKERLUX PROVER EXTERNAL BACK PANEL
106	OH6858B	XL413 ELECTRIC COMPONENTS HOLDER
107	OH4635B	XL405-413-415 LATERAL GUIDE GASKET

108	OH4640B	CABINET AND PROVER FRONT GASKET GUIDE
109	VM1645A	CABINET AND PROVER GASKET CORNER
110	RS1095A	HEATING ELEMENT 1200W 230V
111	GRL1333A	6 TRAYS 600x400 LEFT LATERAL SUPPORT
112	GRL1334A	6 TRAYS 600x400 RIGHT LATERAL SUPPORT
113	OH6857A	XL413 ELECTRIC CONNECTIONS COVER
114	PD1063A	CT BT FOOT STOP BRACKET
115	VM1022A	PROVER DOOR UPPER BRACKET
116	EL1252A	ONE INLET WATER VALVE J.G.CONN.
117	EL1195B	D8F-D8M ELBOW CONNECTION
118	MR1000A	CABLE 3X1,5 H07RN-F MT1,5+K2/3+SCHUKO
119	VM1750A	TERMINAL BOARD
120	GN1355A	XL405-413-415 DOOR GASKET
121	VE1607A	RUBBER MAGNETIC SUCTION CUP
122	VM1281A	TRIANGULAR BRACKET FOR FOOT AND WHEEL
123	PD1064A	100-150mm ADJUSTABLE FOOT
124	VM1505A	WALL PASSING WITH DIAPHRAGM
125	EL1125A	WALL PASSING SEAL Ø8
126	OH4820A	BULB HOLDING BRACKET
127	VM1023A	PROVER DOOR RIGHT LOWER BRACKET
128	VM1024A	PROVER DOOR LEFT LOWER BRACKET