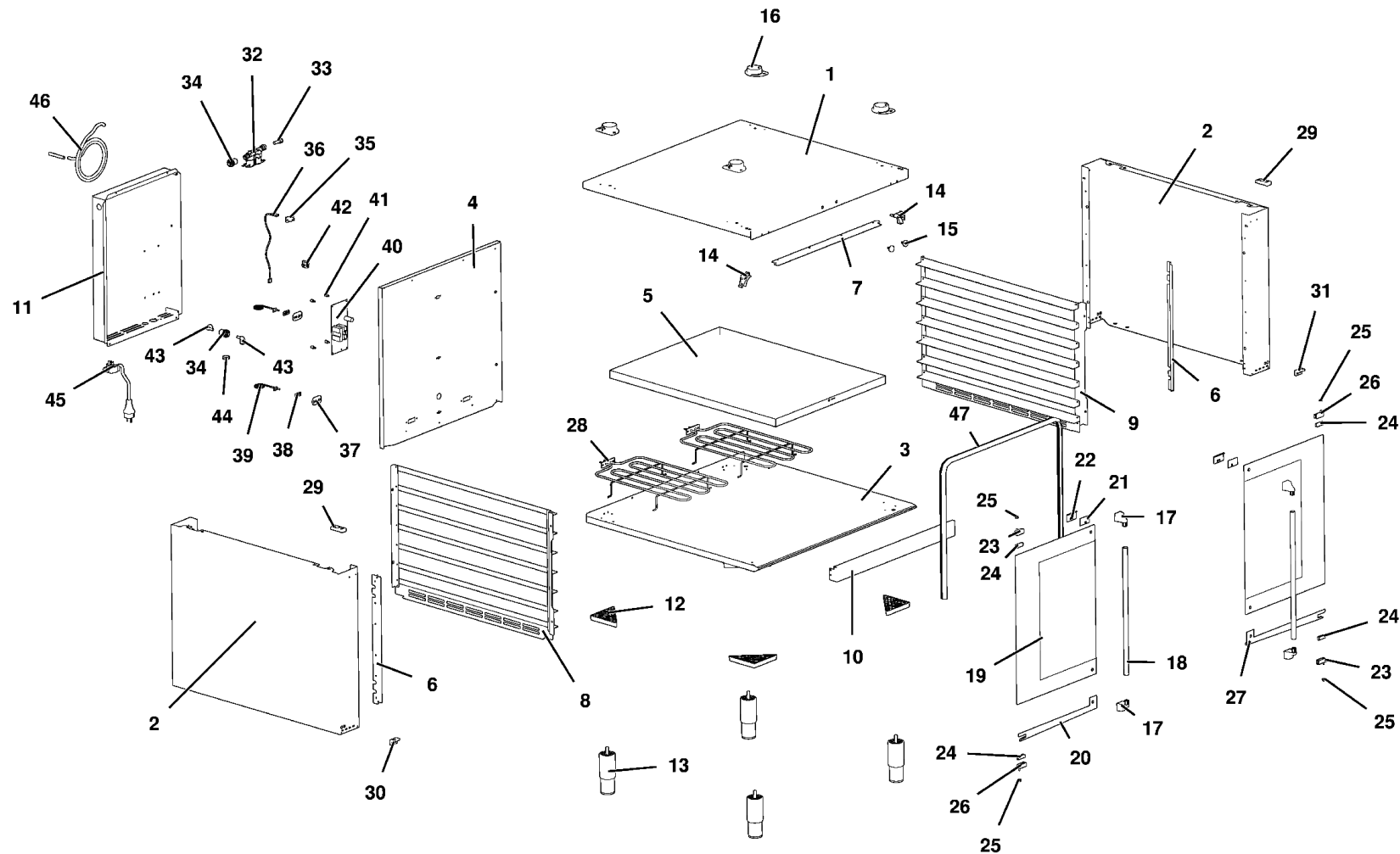


MOD:XL415



MOD:XL415



IT

Descrizione codici

1	OD2139A	COPERCHIO XL415
2	OD2140A	FIANCO XL415
3	OE1250B	FONDO EST. XL415 XL413
4	OF1335B	SCHIENA INOX XL405-XL415
5	OH3745A	VASCA UMIDITA' INOX XL404
6	OH4635B	GUIDA GUARNIZIONE LAT. XL405-413-415
7	OH4640B	GUIDA GUARNIZIONE FRONT. XL405
8	GRL1295A	ASM SUPPORTI LATERALI SX XL415
9	GRL1294A	ASM SUPPORTI LATERALI DX XL415
10	OH4625A	BARRIERA FRONTALE XL413-415
11	OH4645B	PORTACOMPONENTI XL415
12	VM1281A	STAFFA TRIANGOLARE PIEDINO-RUOTA
13	PD1064A	PIEDE REGOLABILE D50 100-150mm ANTI-SVIT
14	VM1645A	ANGOLO GUARNIZIONE XL405
15	VE1607A	VENTOSA MAGNETICA GOMMATA D22 H6 M6X14.5
16	PD1063A	STAFFA BLOCCAGGIO PIEDE CT BT
17	MG1015B	TERMINALE MANIGLIA L.MISS/L.MICRO/CHEFTO
18	TB1730A	TUBO MANIGLIA XL405 Ø18x1
19	VT1210A	VETRO PORTA XL405
20	OH4535C	SGOCCIOLATOIO PORTA SX XL415
21	GN1330A	GUARNIZIONE LAMIERINO FERRITICO XL405
22	OH4540A	LAMIERA PER CALAMITA PORTA XL 405
23	CR1081A	CERNIERA SX INOX XV-XL-XB
24	GN1320A	GUARNIZIONE CERNIERA VETRO PORTA
25	VM1790A	BOCCOLA CERNIERA 12X6.5 DI5.3
26	CR1080A	CERNIERA DX INOX XV-XL-XB
27	OH4530C	SGOCCIOLATOIO PORTA DX XL415
28	RS1095A	RESISTENZA PIANA 1200W 230V
29	VM1022A	STAFFA SUPERIORE PORTA LIEVITATORE
30	VM1024A	STAFFA INFERIORE SX PORTA LIEVITATORE
31	VM1023A	STAFFA INFERIORE DX PORTA LIEVITATORE

32	EL1360A	ELETTRIVALVOLA TRI-STADIO JG D8-D10
33	RC1002A	RACCORDO RIDUZIONE CODOLO 10M-8F
34	EL1125A	PASSAPARETE Ø8
35	VM1690A	SUPPORTO SONDA UMIDITA XL405
36	TR1120A	SENSORE UMIDITA
37	VM1465A	COPERCHIO SONDA TEMPERATURA CHEFTOP
38	GN1285A	GUARNIZIONE SONDA DI TEMPERATURA NTC
39	TR1105A	SONDA TEMPERATURA PT100 L1000
40	PE1969A	SCHEDA LIEVITATORE
41	VM1745A	SUPPORTO PER SCHEDA
42	VM1750A	MORSETTIERA A PETTINE
43	EL1195A	RACCORDO A GOMITO CON J.GUEST
44	VM1505A	PASSAPARETE CON DIAFRAMMA
45	MR1000A	CAVO 3X1,5 H07RN-F MT1,5+K2/3+SCHUKO
46	TB2237A	TUBO Ø10 ALLACCIAMENTO RETE
47	GN1355A	GUARNIZIONE PORTA XL405

MOD:XL415



EN

Codes descriptions

1	OD2139A	XL415 EXTERNAL UPPER COVER
2	OD2140A	XL413-415 EXTERNAL SIDE PANEL
3	OE1250B	XL413/415 EXTERNAL BOTTOM PANEL
4	OF1335B	XL405-XL415 EXTERNAL BACK PANEL
5	OH3745A	XL404/405/413/415 ST. STEEL WATER BASIN
6	OH4635B	XL405-413-415 LATERAL GUIDE GASKET
7	OH4640B	CABINET AND PROVER FRONT GASKET GUIDE
8	GRL1295A	XL413-415 LEFT LATERAL SUPPORT
9	GRL1294A	XL413-415 RIGHT LATERAL SUPPORT
10	OH4625A	XL413-415 FRONT GUARD
11	OH4645B	XL415 ELECTRIC COMPONENTS HOLDER
12	VM1281A	TRIANGULAR BRACKET FOR FOOT AND WHEEL
13	PD1064A	100-150mm ADJUSTABLE FOOT
14	VM1645A	CABINET AND PROVER GASKET CORNER
15	VE1607A	RUBBER MAGNETIC SUCTION CUP
16	PD1063A	CT BT FOOT STOP BRACKET
17	MG1015B	L.MISS/L.MICRO/CHEFTOP HANDLE TERMINALS
18	TB1730A	XL405-413-415 HANDLE TUBE
19	VT1210A	XL405-413-415 DOOR GLASS
20	OH4535C	XL415 LEFT DOOR DRIP PROFILE
21	GN1330A	FERRITIC PLATE GASKET XL405
22	OH4540A	MAGNET DOOR PLATES XL405
23	CR1081A	XV-XL-XB ST. STEEL LEFT HINGE
24	GN1320A	DOOR GLASS HINGE GASKET
25	VM1790A	HINGE BUSH 12X6.5 DI5.3
26	CR1080A	XV-XL-XB ST. STEEL RIGHT HINGE
27	OH4530C	XL415 RIGHT DOOR DRIP PROFILE
28	RS1095A	HEATING ELEMENT 1200W 230V
29	VM1022A	PROVER DOOR UPPER BRACKET
30	VM1024A	PROVER DOOR LEFT LOWER BRACKET
31	VM1023A	PROVER DOOR RIGHT LOWER BRACKET

32	EL1360A	THREE-STAGE WATER SOLENOID VALVE
33	RC1002A	10M-8F J.G. TERMINAL REDUCTION FITTING
34	EL1125A	WALL PASSING SEAL Ø8
35	VM1690A	HUMIDITY PROBE SUPPORT XL405
36	TR1120A	HUMIDITY SENSOR
37	VM1465A	CHEFTOP TEMPERATURE PROBE COVER
38	GN1285A	NTC TEMPERATURE PROBE SEALING
39	TR1105A	TEMPERATURE PROBE PT100 L1000
40	PE1969A	BAKERTOP PROVER POWER CARD
41	VM1745A	BOARD SUPPORT
42	VM1750A	TERMINAL BOARD
43	EL1195A	ELBOW UNION WITH J.GUEST TERMINAL
44	VM1505A	WALL PASSING WITH DIAPHRAGM
45	MR1000A	CABLE 3X1,5 H07RN-F MT1,5+K2/3-SCHUKO
46	TB2237A	Ø10 WATER MAIN CONNECTION PIPE
47	GN1355A	XL405-413-415 DOOR GASKET